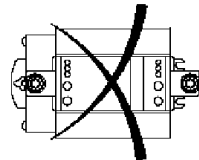
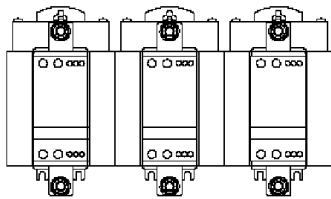
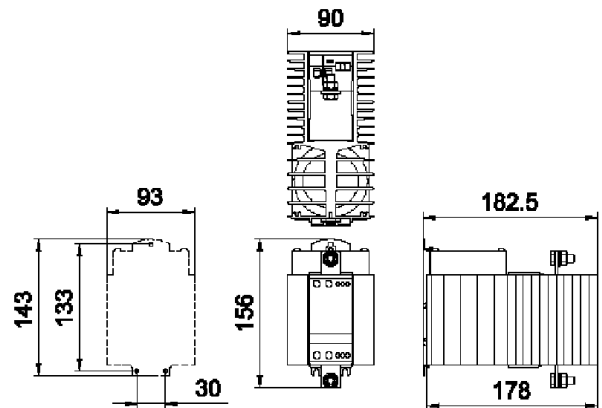


Montering - Mounting - Montage


DK: Hvis enheden er monteret vandret, skal driftsstrømmen reduceres med 50%

UK: If the unit is mounted horizontally the current must be derated by 50%

DE: Falls Einheit horizontal montiert wird, muss der Strom um 50% reduziert werden

Dimensioner - Dimensions - Dimensionen


DK: Køleplade skal holdes ren. Luftstrømmen må ikke blokeres. Blæser leveres til 230 VAC

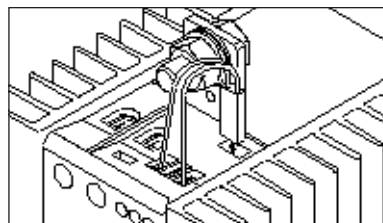
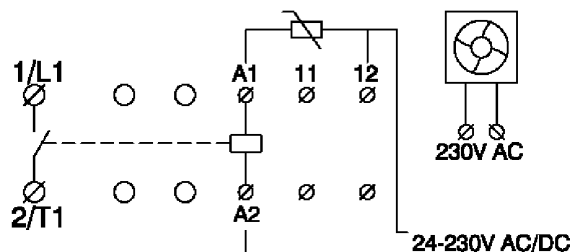
UK: Keep heatsink clean. Airflow must not be blocked. Fan supplied to 230VAC

DE: Kühlflächen freihalten. Luftstrom muss ungehindert fließen. Fan an 230VAC

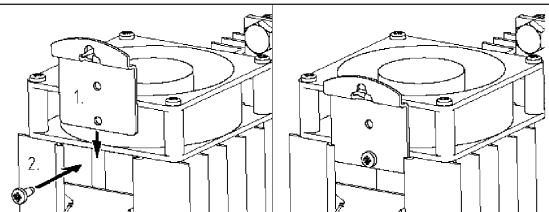
Forbindelse - Wiring - Verdrahtung

75°C Cu Wire/Kabel	— / — mm ²	— □ — mm ²
		1 x 0.5 - 1.5
		2 x 0.5 - 0.75
	10 - 35	1 x 0.5 - 1.5
		2 x 0.5 - 1.5
	10 - 35	1 x 0.5 - 1.5
		2 x 0.5 - 1.5
	13 mm 9 Nm max.	
		3 mm 0.5 Nm max.

- **Vigtigt** (Overhold max skruedrejningsmomenter)
 - **Important:** (Observe the maximum screw torque limits)
 - **Wichtig:** (Max. Drehmoment beachten)
 Do not connect power factor correction capacitors to the output.

RC 11 DX XX125A


Trip Temperature off (80°C)
 +/- Tolerance (°C) = 80+/-5°
 Reset Temperature on (°C)
 +/- Tolerance (°C) = 50+/-10°
 Differential (°C) = 30°



Use thermal overload protection as required by the National Electric Code.
 When protected by a non-time delay K5 or H Class fuse, rated 266 % of motor FLA, this device is rated for use on a circuit capable of delivering not more than 5,000 rms. symmetrical amperes, 600 V maximum.
 Maximum surrounding temperature 40°C.

DK: Se specifikationer i datablad

UK: See recommendation in datasheet

DE: Empfehlungen im Datenblatt beachten