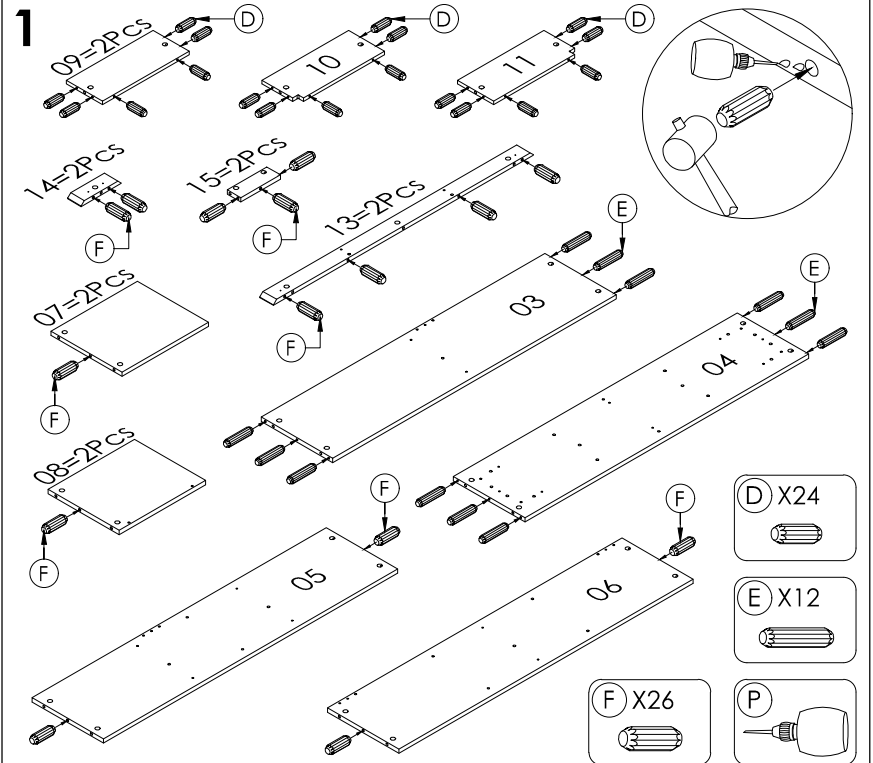
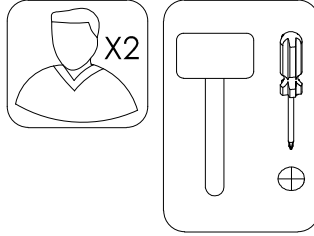
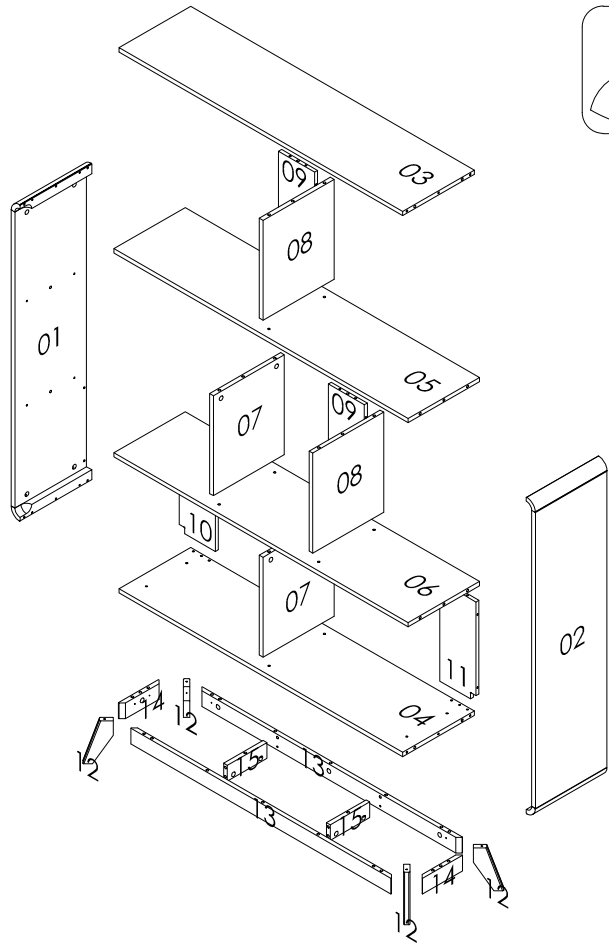


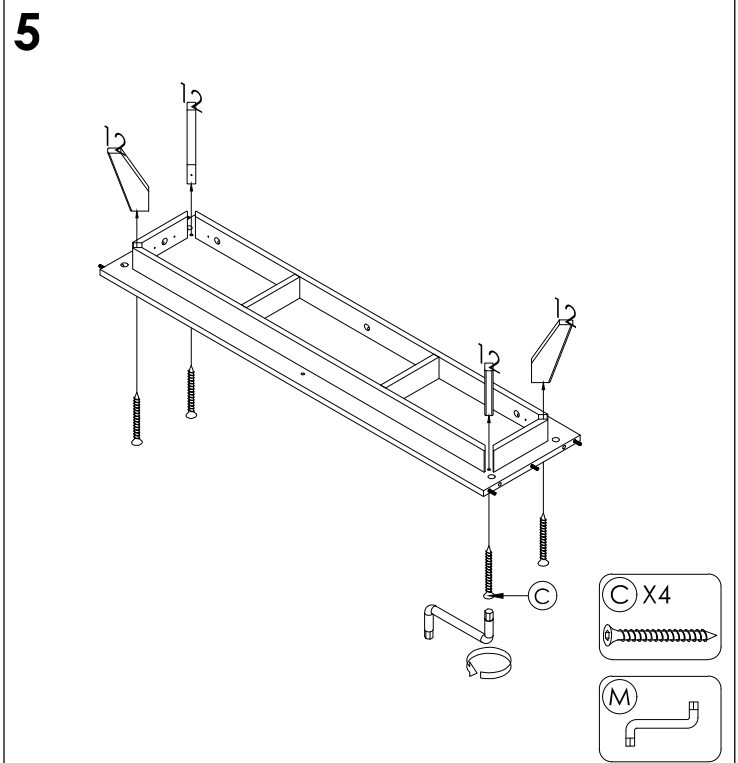
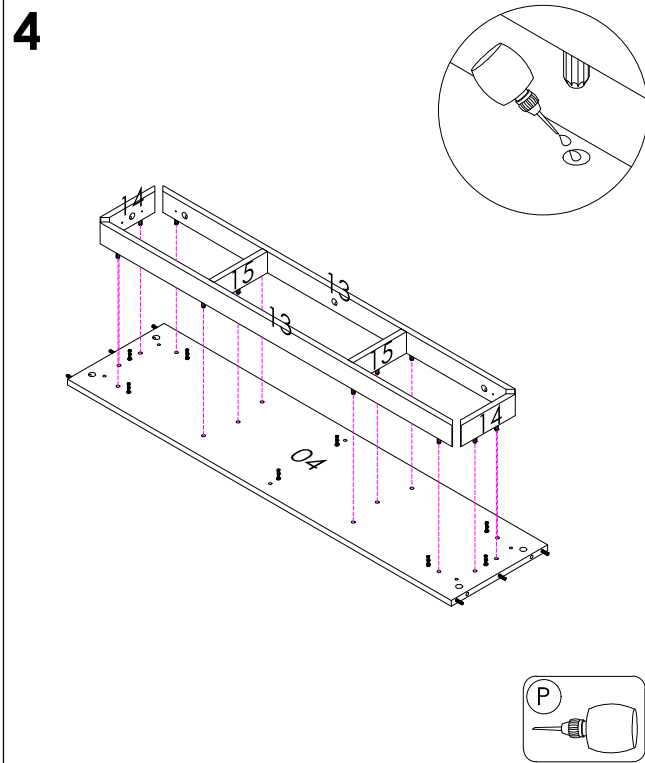
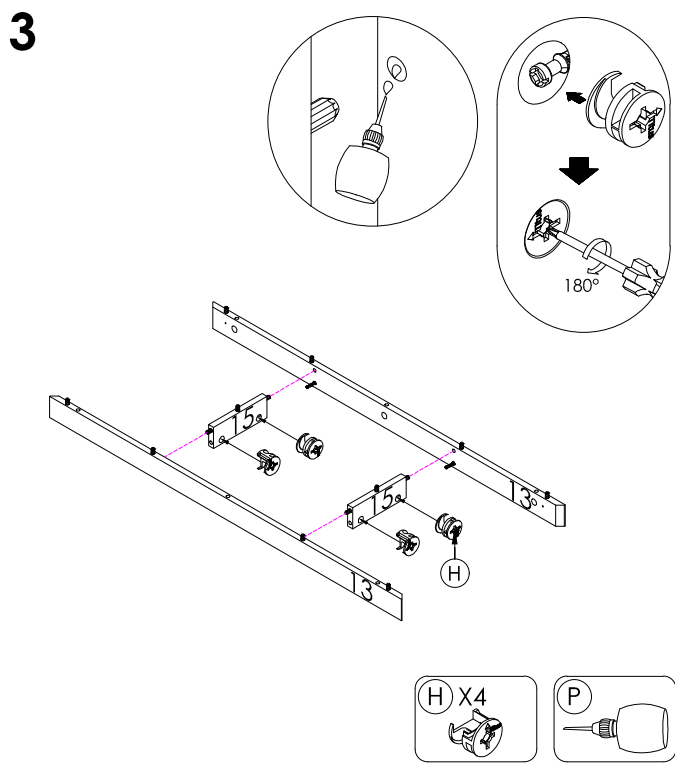
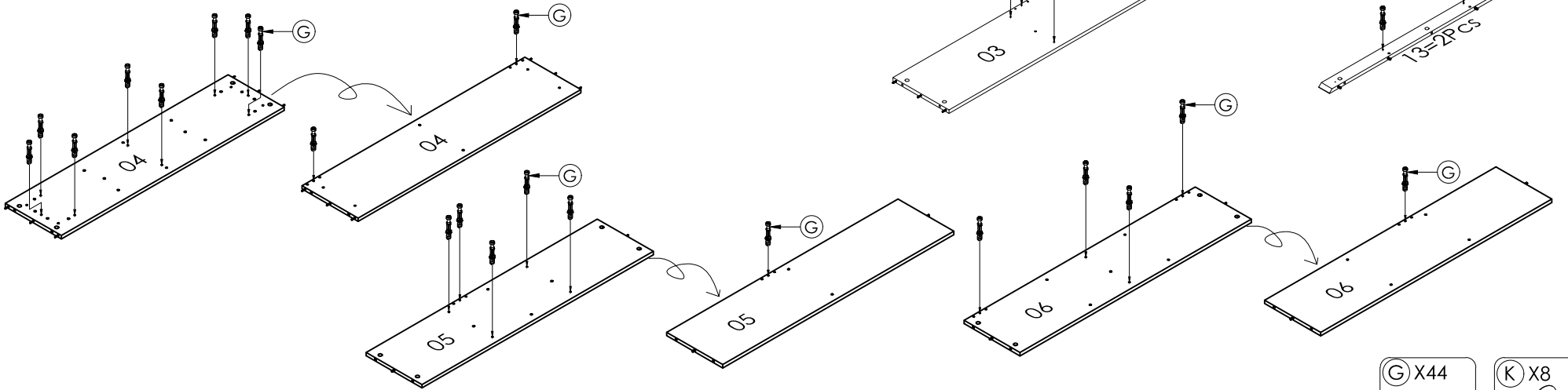
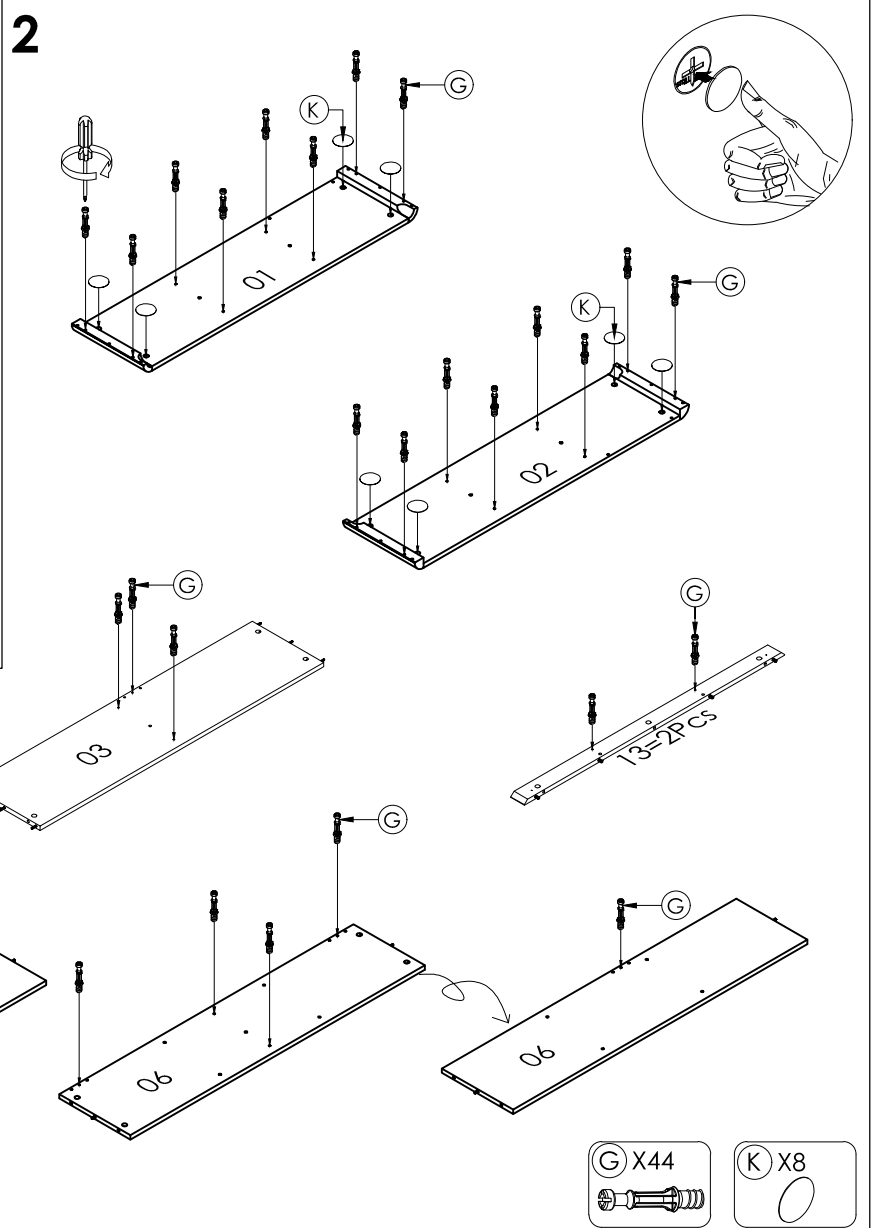
ASSEMBLING GUIDE MODEL 3311-9-01

WARNING! NOT SUITABLE FOR CHILDREN UNDER 3 YEARS. CONTAINS SMALL PARTS.

CAUTION
MATERIAL USED - LAMINATED MEDIUM DENSITY FIBERBOARD AND PARTICLEBOARD FRAME * TO CLEAN USING SOFT, DRY, CLOTH * DO NOT USE DETERGENT OR CHEMICALS * AVOID CONTACT WITH WATER AND DIRECT SUNLIGHT * TO BE ASSEMBLED ON A SOFT, DRY, CLEAN AND SMOOTH SURFACE * DO NOT USE POWER DRILLS TO ASSEMBLE AS THIS MAY CAUSE DAMAGE TO THE PRODUCT IF OVER-TIGHTENED



| | | | | | | | |
|---|--|--|----|---|--|---|----|
| A | | CSK SCREW M3.5 X 15MM | 9 | H | | CAM-9499 CAM 3000 15 X 12 | 36 |
| B | | CSK SCREW M4 X 25MM | 4 | J | | CAM-9642 CAM 3000 12/13MM | 8 |
| C | | JCBC(W) SCREW M6 X 40MM | 12 | K | | ROUND STICKER (Ø18MM) | 20 |
| D | | WOOD DOWEL (Ø6 X 20MM) | 24 | L | | TABLE CORNER BRACKET (5HOLES) (1.5 X 30 X 30 X 50 X 45MM) | 4 |
| E | | WOOD DOWEL (Ø6 X 35MM) | 12 | M | | ALLEN KEY M4 | 1 |
| F | | WOOD DOWEL (Ø8 X 25MM) | 26 | N | | WEBBING TAPE (1.2 X 12 X 145 MM) | 1 |
| G | | BOLT-9607 PARALEL NECK DOWEL 24 X 8.5 | 44 | P | | GLUE | 6 |



ASSEMBLING GUIDE MODEL 3311-9-01

WARNING! NOT SUITABLE FOR CHILDREN
UNDER 3 YEARS. CONTAINS SMALL PARTS.

CAUTION
MATERIAL USED - LAMINATED MEDIUM DENSITY FIBERBOARD AND PARTICLEBOARD FRAME * TO CLEAN
USING SOFT, DRY, CLOTH * DO NOT USE DETERGENT OR CHEMICALS * AVOID CONTACT WITH WATER AND
DIRECT SUNLIGHT * TO BE ASSEMBLED ON A SOFT, DRY, CLEAN AND SMOOTH SURFACE * DO NOT USE
POWER DRILLS TO ASSEMBLE AS THIS MAY CAUSE DAMAGE TO THE PRODUCT IF OVER-TIGHTENED

6

H X8

7

A X8

B X4

L X4

X4 SIDE

8

H X2

J X1

K X2

P

9

C X2

J X1

M

P

10

H X2

J X1

K X2

P

11

H X2

K X2

P

12

C X4

J X1

M

P

13

H X2

K X2

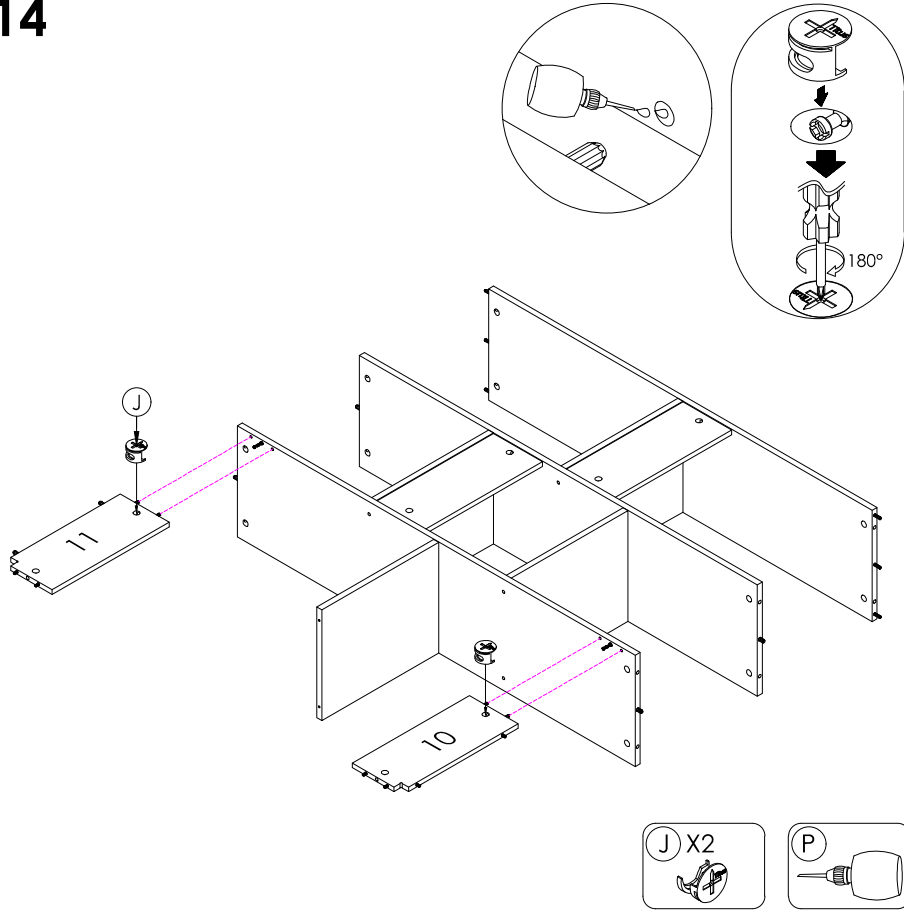
P

ASSEMBLING GUIDE MODEL 3311-9-01

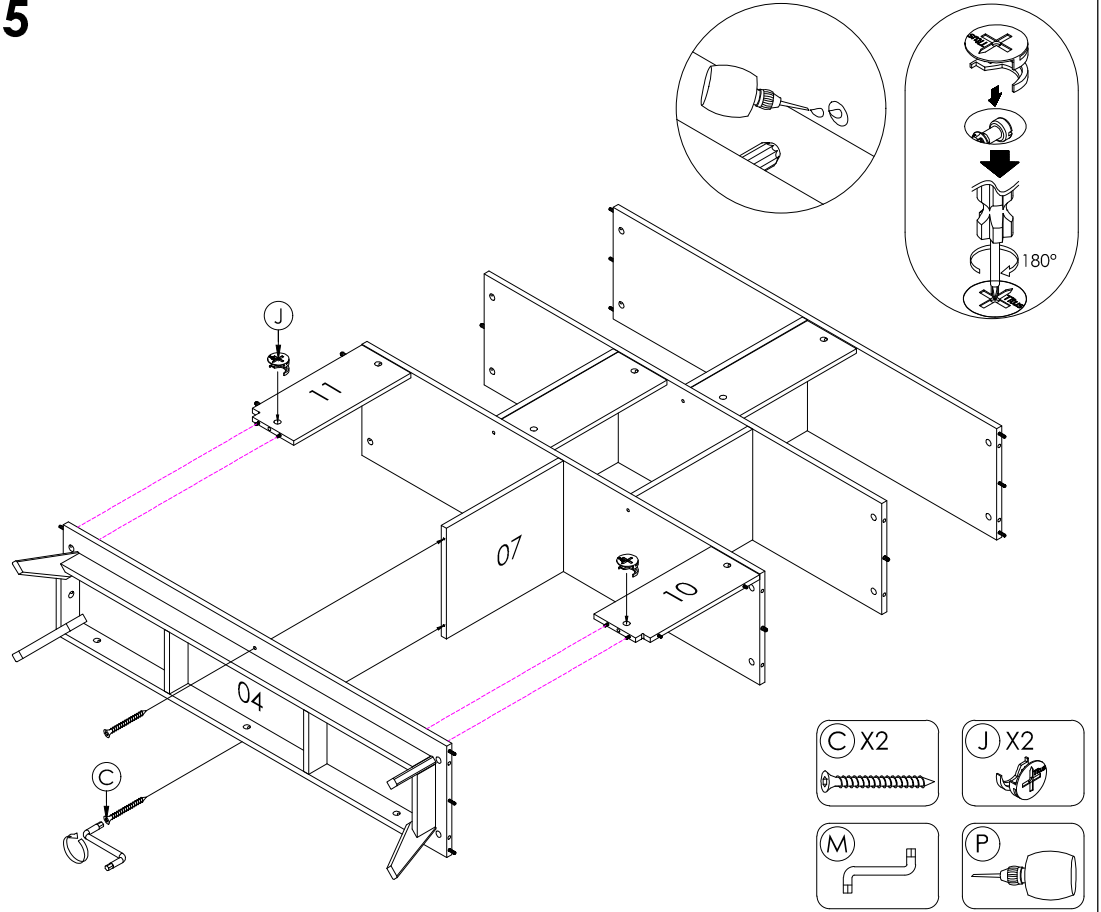
WARNING! NOT SUITABLE FOR CHILDREN
UNDER 3 YEARS. CONTAINS SMALL PARTS.

CAUTION
MATERIAL USED - LAMINATED MEDIUM DENSITY FIBERBOARD AND PARTICLEBOARD FRAME * TO CLEAN
USING SOFT, DRY, CLOTH * DO NOT USE DETERGENT OR CHEMICALS * AVOID CONTACT WITH WATER AND
DIRECT SUNLIGHT * TO BE ASSEMBLED ON A SOFT, DRY, CLEAN AND SMOOTH SURFACE * DO NOT USE
POWER DRILLS TO ASSEMBLE AS THIS MAY CAUSE DAMAGE TO THE PRODUCT IF OVER-TIGHTENED

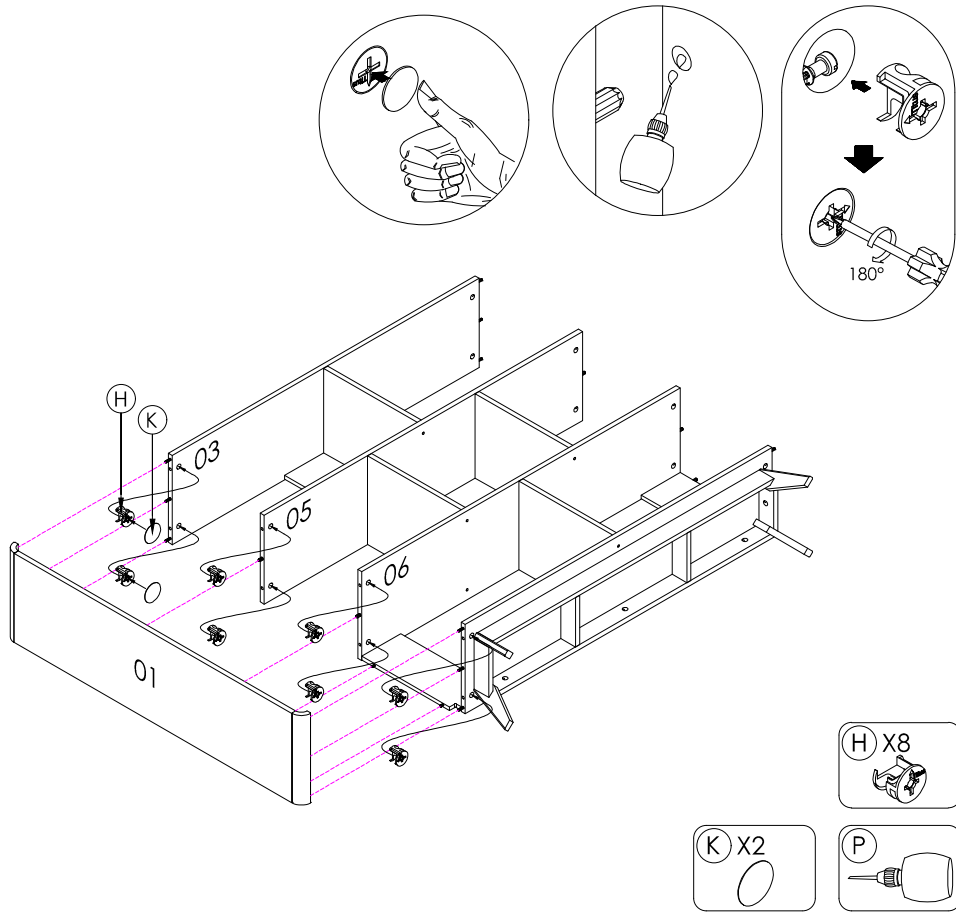
14



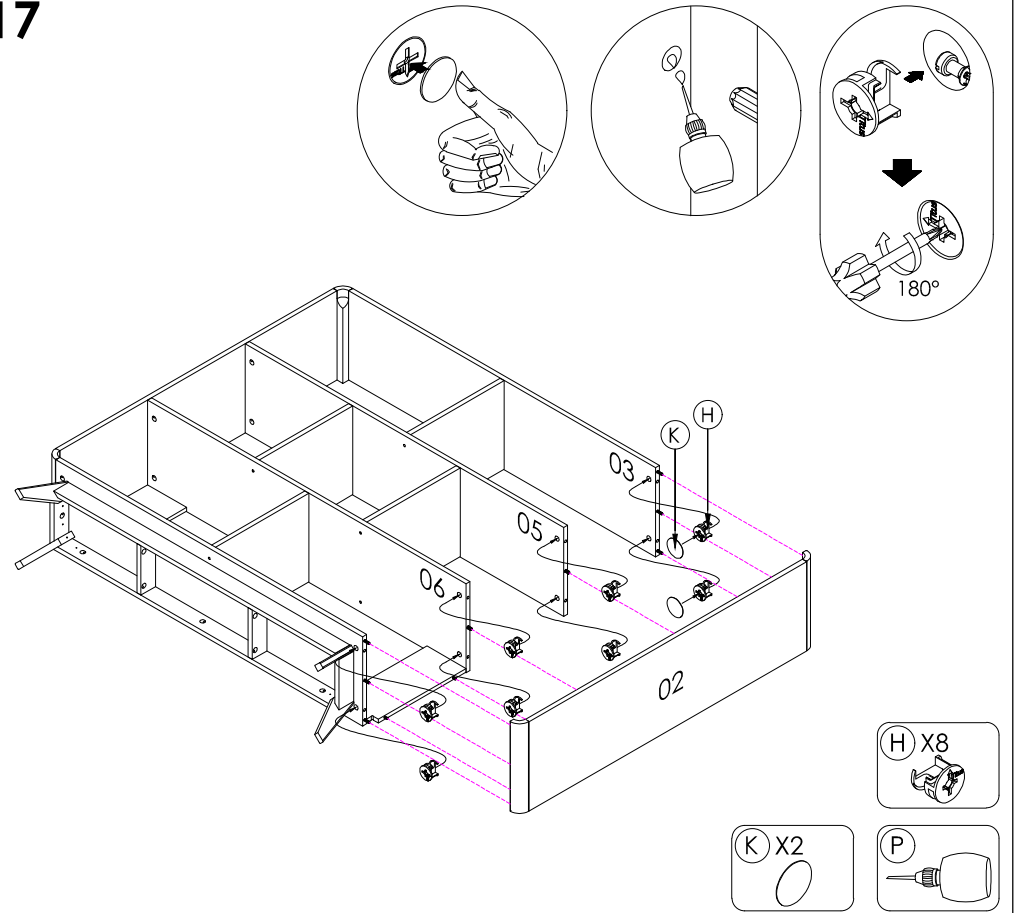
15



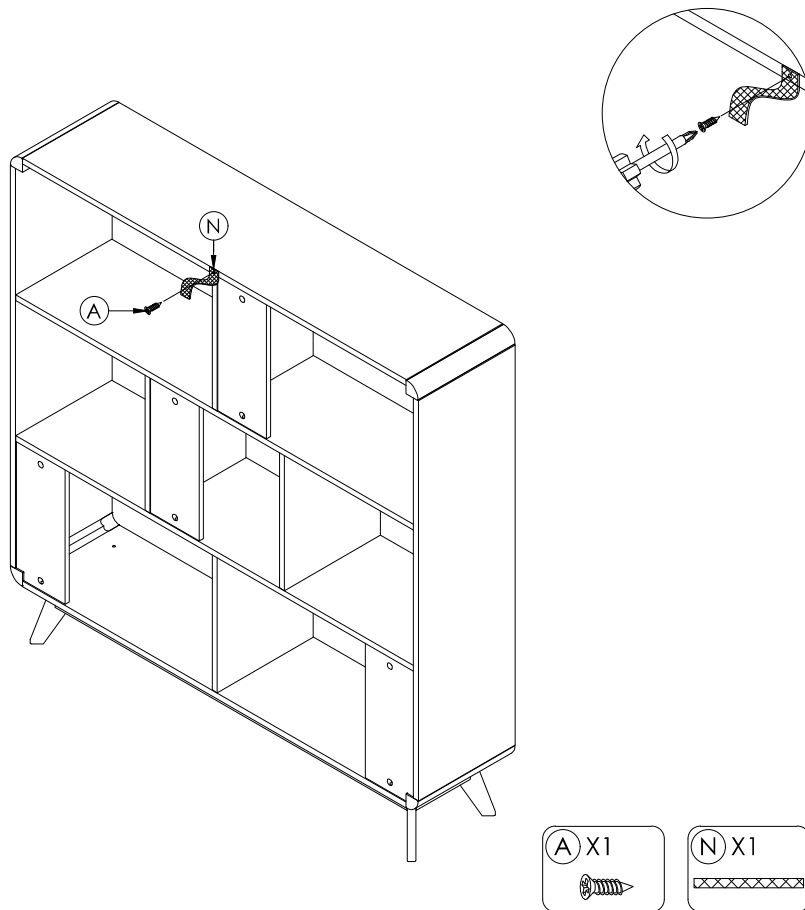
16



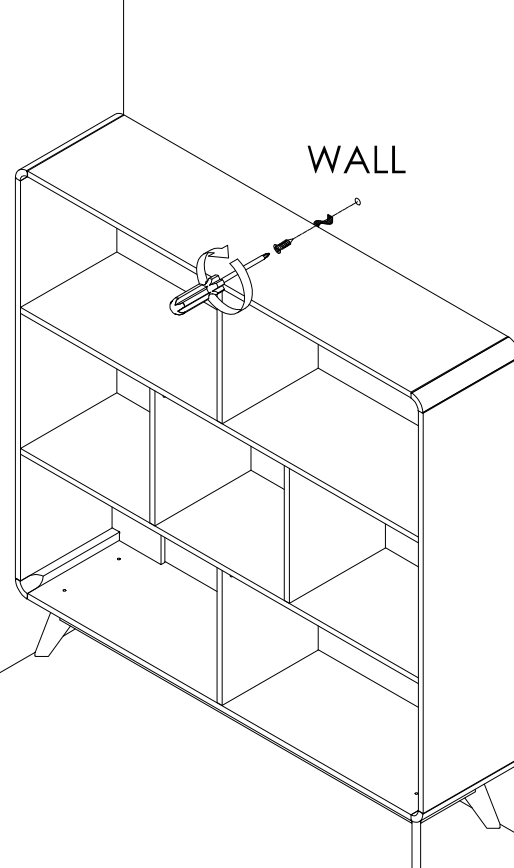
17



18



19



NOTE:
WALL PLUG & SCREW ARE
NOT SUPPLIED WITH THIS
PRODUCT AS DIFFERENT WALL
MATERIALS REQUIRE DIFFERENT
TYPES OF FIXING HARDWARE &
YOU MUST USE SUITABLE FIXING
HARDWARE FOR TYPE OF WALL
YOU INTEND TO MOUNT THIS
PRODUCT TO WALL.