

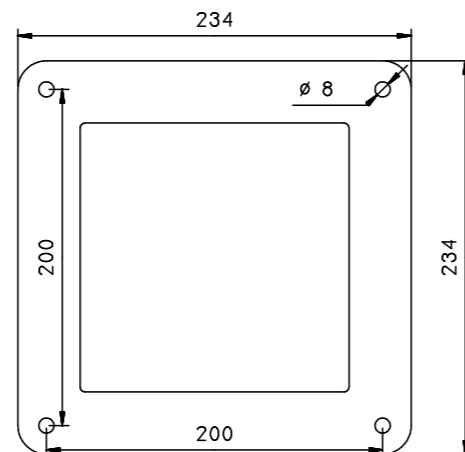
# T4

## Technical Specifications

Height: 90,2 cm  
Weight: 7 - 20 kg, according to model  
Outlets: 2 or 4  
Water taps: 2, 1/2" + optional hose rack  
Safety: Each outlet is protected by an automatic circuit breaker, and ELB protection.

Top lamp: 1 x 15 Watt high-efficiency bulb  
Temperature: - 20 to + 60 degrees Celsius  
IP-class: IP45  
Conformity: IEC 60439-3

Mounting: Delivered with a standard flange



Power connection: CU, 2.5 to 16 mm<sup>2</sup>  
Water: 20 mm PL-tube

**Materials:**  
Pedestal body: Anodised aluminium 6063  
Screws and bolts: Acid-proof steel A4

Maintenance: None

*Specifications are subject to change without notice.*

Agent:

# T4



## Flexible and Durable Aluminum Supply Pedestal...



**tallykey**<sup>®</sup>

Fabriksvej 14  
DK-7600 Struer  
Phone: +45 97 84 12 77  
Internet: [www.tallykey.com](http://www.tallykey.com)

**tallykey**<sup>®</sup>

# Tallykey T4

Tallykey T4 is an uncomplicated and user-friendly power and water supply pedestal for marinas and campsites.

## Facts and Features:

- 2 or 4 power outlets
- Optional water taps
- Optional hose rack
- Elegant low-energy lamp at the top
- Three different solutions for registration/payment.

The T4 is a versatile supply solution, simple and extremely durable.

The timeless design speaks for itself, positively contributing to the guest's perception of your marina or campsite. Furthermore, the choice of quality materials is your guarantee for many years of flawless operation.



## Elegant Design with Built-in Lamp

The T4 creates a general soft and harmonious atmosphere everywhere, with the emphasis on pure style and attractive lighting. The high-efficiency light bulb is elegantly concealed behind specially developed louvers reminiscent of the famous PH lamps - an aesthetic pleasure with a gentle soft light.

When darkness falls, the lamp will give the pedestal a unique and exclusive look, and at the same time make it easier to operate. In new installations, it is possible to reduce area lighting, making the T4 even more attractive economically.

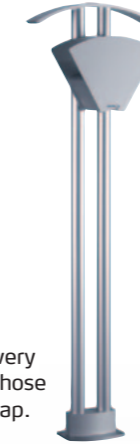


## Quality in Every Detail...

All Tallykey pedestals are made exclusively of quality materials, ensuring a long life span. The pedestal itself is made of aluminium, while bolts, shafts and screws are in stainless steel. The T4 pedestal structure is rugged to survive many years of outdoor use, even in the harsh and aggressive environment of a coastal marina.

## Optional Hose Rack

T4 can be delivered with a hose rack mounted on the back, and the hose rack can also be retrofitted later.



Tallykey also offers a very elegant free-standing hose rack, with or without tap.

## Elegant Front Door

All ELB-relays/fuses, meters and, if present, card readers, are protected behind the front door, which is opened by pushing a button.



## A Supply Pedestal with Many Possibilities

In addition to the elegant and timeless design, the T4 is available in a variety of standard-models, offering superb value-for-money and many configurations.



## Why Choose the Tallykey T4?

When you invest in equipment to supply power and/or water, there are many factors to be considered: have you considered the relation between price and quality/service life? And did you remember that such equipment must comply with a large number of European and international regulations as well as being simple to install?

The T4 pedestal meets all these requirements, and the technology combined with the trim and timeless design ensure many years of maintenance-free operation and the best return on your investment.

# Recording/Payment

Power consumption is rapidly growing worldwide in marinas and campsites, so individual payment of the consumption charges saves money and splits costs in a fair manner.

Tallykey offers three different solutions for recording and payment of power consumption.

## Power Meters

The simplest, but still efficient solution to the task of recording and payment. The power consumption is read manually at the actual outlet.



Tallykey T4 can be delivered with our stable and durable, digital power meters.

Our meters are both easy to read and precise. This configuration enables future upgrade to the Tallybee system.

## Card System: Tallycard<sup>+</sup>

The market's most durable card payment system, which can be combined with access control. The tallycard<sup>+</sup> system is managed with our software solutions; tallymaster<sup>+</sup> or tallymanager.



Tallycard<sup>+</sup> has the possibility of payment in advance, so loss and fraud is not an issue.



## Remote Reading: Tallybee

The market's most reliable and user friendly system for the remote reading of power meters. The consumption is read on the compact Tallybee pop-up window on your computer screen.

Tallybee is the system that always works, providing the utmost in reliability.

