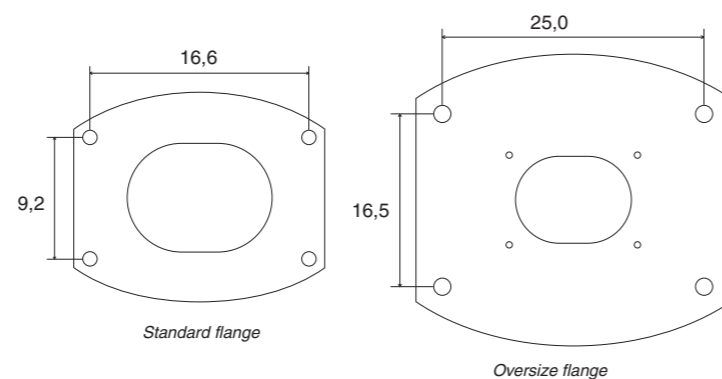


T2

Technical Specifications

Height: Without lamp: 83 - 113 cm
With lamp: 100 - 130 cm
Weight: 5-12 kg, according to model
Outlets: 2, 4 or 6
Water taps: 1 or 2 + optional hose rack
Safety: Each outlet is protected by an automatic circuit breaker, and ELB protection.
Top lamp: 1 x 15 Watt low-energy bulb
Temperature: - 20 to + 60 degrees Celsius
IP-class: IP44
Conformity: IEC 60439-3

Mounting: The T2 is delivered with a standard flange for concrete. For non-concrete installation, an extra large flange or a special base for embedding, can be ordered.



Power connection: CU, 2.5 to 35 mm²
Light connection: CU, 1.5 to 8 mm²
Water connection: 20 mm PL-pipe

Materials:
Pedestal: Anodised aluminium 6063
Lamp cover: Impact strengthened plastic
Screws and bolts: Acid-proof steel A4

Maintenance: None

Specifications are subject to change without notice.

Agent:

T2



Trim and Timeless Aluminium Pedestal to Enhance any Environment...



tallykey[®]

Fabriksvej 14
DK-7600 Struer
Phone: +45 97 84 12 77
Internet: www.tallykey.com

tallykey[®]

Tallykey T2

The tallykey T2 is a trim and timeless aluminium pedestal for the supply of electricity and water in marinas and campsites.

Facts and Features:

- 2, 4 or 6 power outlets
- 1-phase or 3-phase outlets of max. 32 Ampere
- Optional water taps
- Optional hose rack
- Optional antenna/LAN/Internet connections
- With or without low-energy lamp at the top
- Three different solutions for registration/payment

The T2 is thus a complete supply solution, which is both simple and extremely robust. The slender design speaks for itself, positively contributing to the guest's perception of your marina or campsite.

T2 is available in to heights: 83 og 113 cm (with the lamp: + 17 cm) . The tallest version is developed especially for campsites, complying to the european legislation of a distance of at least 80 cm from the terrain to the lowest power outlet.



T2-model for Water Supply

When the T2 is used solely for water supply, the taps are mounted high for ease of operation and the pedestal can be fitted with an elegant hose rack on the rear.



Apart from the T2, we also supply a very elegant free-standing hose rack, with or without tap.



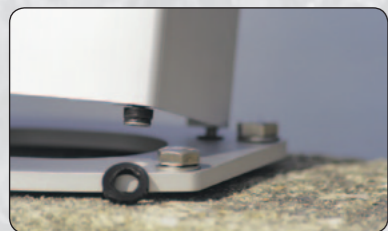
Lockable Pedestals

Access to circuit breakers, ELB relays, meters or card readers is protected behind an elegant sliding lid, and if access is to be limited, the pedestal can be equipped with padlock provisions.



Quality in Every Detail...

All tallykey pedestals are made exclusively of quality materials, ensuring a long life span. The pedestal itself is made of aluminium, while bolts and screws are made of stainless steel. If the pedestal has a lamp in the top, the "glass" is made of impact strengthened plastic. The tallykey T2 pedestal is robust to survive many years of outdoor use, even in the harsh and aggressive environment of a coastal marina. A carefully thought-out detail is the special safety washers with which the base is mounted. If a pedestal is struck or a boat departs from it's berth and has forgotten to uncouple from the pedestal, only the safety washers are broken - the pedestal itself is not damaged and it can be remounted with spare safety washers, stored inside each pedestal.



T2 Lamp Model

The T2 lamp model was created to provide a general soft and harmonious atmosphere everywhere. The emphasis in the pedestal is on pure style and attractive lighting. The high-efficiency light bulb is elegantly concealed behind specially developed shielding reminiscent of the famous PH lamps - an aesthetic pleasure with a gentle soft light. The lamp is optional for all our T2 models.

The lamp is also available in a version, which switches on automatically when darkness falls.



The Complete Supply Solution

The T2 offers all the features to be expected from an advanced supply pedestal. Besides power outlets and water taps, the pedestal can be fitted with connectors for telephone, LAN/Internet or cable-TV.



Why Choose The Tallykey T2?

When you invest in equipment to supply power and/or water, there are many factors to be considered: have you considered the relationship between price and quality/service life? And did you remember that such equipment must comply with a large number of European and international regulations as well as being simple to install? The T2 pedestal meets all these requirements and the technology combined with the trim and timeless design ensure many years of maintenance-free operation and the best return on your investment.

Recording/Payment

Power consumption is rapidly growing worldwide in marinas and campsites, so individual payment of the consumption charges saves money and splits costs in a fair manner.

Tallykey offers three different solutions for recording and payment of power consumption.

Power Meters

The simplest, but still efficient solution to the task of recording and payment. The power consumption is read manually at the actual outlet.



Tallykey T2 can be delivered with our stable and durable, digital power meters.

Our meters are both easy to read and precise. This configuration enables future upgrade to the Tallybee system.

Card System: Tallycard+

The market's most durable card payment system, which can be combined with access control. The tallycard+ system is managed with our software solutions; tallymaster+ or tallymanager.



Tallycard+ has the possibility of payment in advance, so loss and fraud is not an issue.



Remote Reading: Tallybee

The market's most reliable and user friendly system for the remote reading of power meters. The consumption is read on the compact Tallybee pop-up window on your computer screen.

Tallybee is the system that always works, providing the utmost in reliability.

