

D^{med}® VISANO

A MASTERPIECE AMONG EXAMINATION LIGHTS



••••
LED



THE NEW D^{med}® VISANO

INNOVATION AND DESIGN SHINE THROUGH

Wherever the highest standards of vision are necessary, excellent lighting is key. In the medical field, for family practice or dermatology, ENT or gynecology, and particularly in high-risk areas such as neonatology or intensive care, D^{med}® visano is a true multi-talent. Thanks to its unique design, modern lighting technology and the highest quality materials, the end result is optimal illumination for examinations and procedures.

- **Excellent lighting quality:**
A unique head design, diamond optics and premium LEDs provide an evenly lit field of vision (60,000 lux at 0.5 meter), as well as excellent color rendering (Ra > 93, R13 > 93)
- **Safety Approval:**
Meets IEC 60601 medical standards – unique in its class
- **Maximum reach and ergonomics:**
360° turnover axis at the luminaire head and a long, 42-inch arm reach
- **Four dimming levels:**
Customize the degree of light needed for optimal exam conditions
- **Easy cleaning and hygienic:**
Maintenance-free, enclosed housing with an antimicrobial sanitized® hygiene material – cleanable with disinfectant spray (IP43)
- **High quality components:**
Made with sturdy aluminum for strength and long service life
- **Built-in transformer:**
For maximum electrical safety and energy efficiency
- **Low power consumption:**
16 premium LEDs and a built-in transformer ensure a long and economical service life





Unique optics design:
365 fine ridges provide optimal color mixing of light



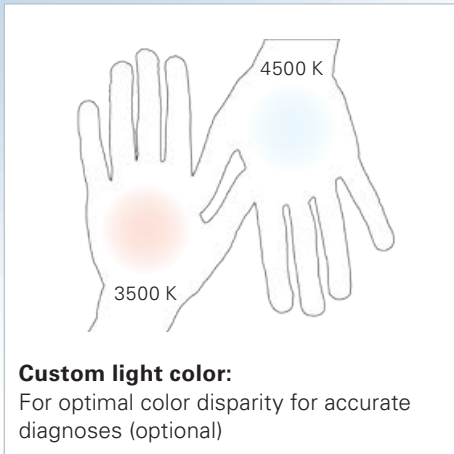
Spring-balanced friction joint:
Can be easily maneuvered and locked into position



Intuitive control panel:
Ergonomic and intuitive to operate with one hand



Concave lighting head:
Optimal light focus and even light field for surgical quality



Custom light color:
For optimal color disparity for accurate diagnoses (optional)

FOR THE HIGHEST DEMANDS VERSATILE AND HYGIENIC

The new D^{med}® visano has several optional features for the diverse nature of its applications. Available in either ceiling or wall mount versions, D^{med}® visano works easily with any room configuration. There is also a color change option for exams or procedures where color disparity is necessary. While you enjoy the ease of the ergonomic handling, the antimicrobial sanitized hygiene feature prevents the growth of microorganisms on the light's surface.



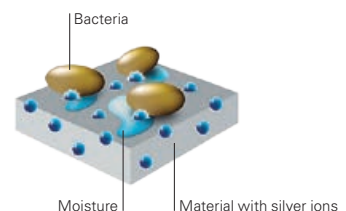
BACTERIA REDUCTION THROUGH SILVER IONS

Protection against spread of bacteria

The luminaire head is a critical area for the spread of harmful bacteria and germs. They can reproduce within 20 minutes on untreated materials. The upper luminaire housing, control panel and the hand wheels of the joints are manufactured with material to keep these critical areas sanitary. Please note: this feature does not replace the need for regular cleaning.

Integrated during manufacturing

The antimicrobial sanitized hygiene protective component is integrated into the lamp head during manufacturing. It inhibits the growth and proliferation of microbes and bacteria while the silver ions destabilize the cell membrane. This prevents the bacteria from growing. Tests have shown that 99% of bacteria and germs were destroyed using this material. The concentration of silver ions in the light head of the D^{med}® visano is not hazardous to the health of the user or patient.



CUSTOMIZE

AN IDEAL OPTION FOR EVERY SITUATION

Ceiling version

- Color changing feature: 3500K and 4500K
- Illumination intensity 60,000 lx/0.5 m
- Illuminated area: 190 mm
- Four dimming levels
- Minimum shadow and smooth, even light field
- Ceiling pole max. 115 cm in length (can be cut to length)
- Pure white / Gray



Wall version

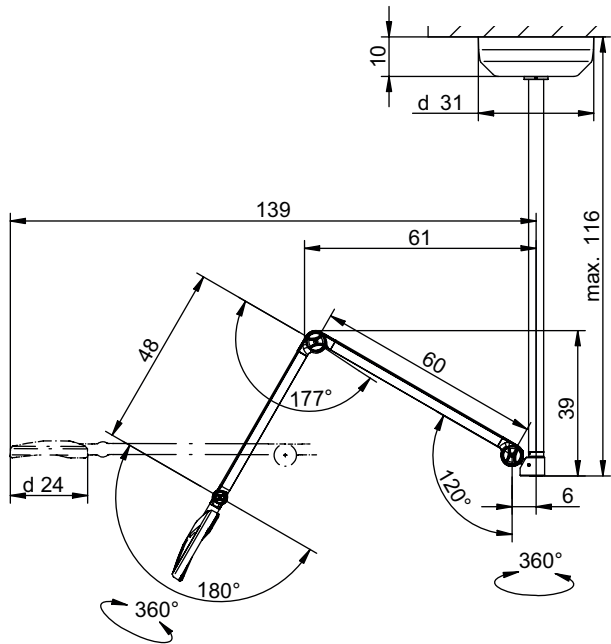
- Color changing feature: 3500K and 4500K
- Illumination intensity 60,000 lx/0.5 m
- Illuminated area: 190 mm
- Four dimming levels
- Minimum shadow and smooth, even light field
- Wall mount with pin
- Pure white / Gray



SPECIFICATIONS

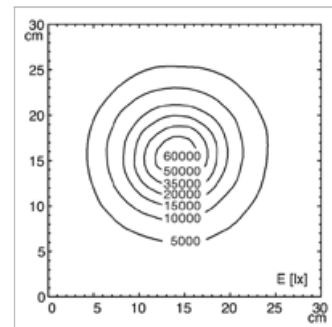
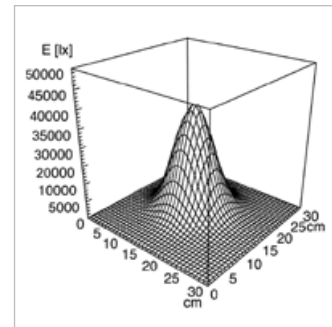
D^{med}® **visano**

Technical drawing 20-2 C T1



(Dimensions are in centimeters)

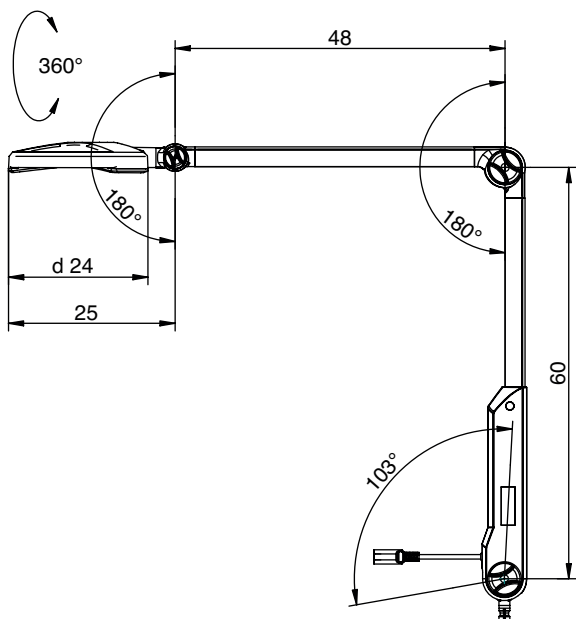
Light distribution



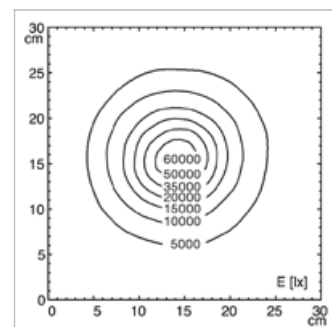
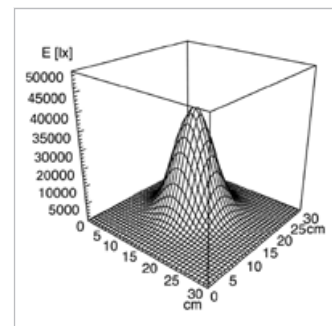
Photometric data -10% / +20% tolerance

Technical drawing 20-2 P TX

Light distribution



(Dimensions are in centimeters)



Photometric data -10% / +20% tolerance

ORDER NUMBERS

D^{med}® visano ceiling version with color change

D^{med}® visano 20-2 C T1

D15.450.000

D^{med}® visano wall version with color change

D^{med}® visano 20-2 P TX

D15.451.000

Euro

D^{med}® visano 20-2 P TX

D15.456.000

UK

ACCESSORIES

EXTENSION ARM



MATERIAL	Powder-coated steel / steel pipe
DIMENSIONS	400 mm, Ø 16 mm
WEIGHT (NET)	approximately 0.65 kg
FOR STUD Ø	16 mm-Q with removal protection
CAPACITY	2.5 kg
ORDER NO.	D13.363.000 - pure white

ROLLING TRIPOD R TELESCOPE



MATERIAL	Stainless steel
DIMENSIONS	0.8 - 1.4 m
WEIGHT (NET)	6.25 kg
FOR PIN Ø	16 mm-Q with removal protection
ORDER NO.	D14.911.000 (with Telescope) D14.022.000 (without Telescope)

RAIL MOUNTING



MATERIAL	Aluminum
EQUIPMENT RAIL	25-35 x 8-10 mm
ORDER NO.	D13.363.000

TABLE CLAMP



MATERIAL	Polyamide steel
BESTELL-NR.	D14.228.000 - black

WALL BRACKET



MATERIAL	Polyamide GF
ORDER NO.	D13.231.000 - pure white

OWN DISTRIBUTORS

GERMANY

Herbert Waldmann GmbH & Co. KG
Postfach 5062
78057 Villingen-Schwenningen
Germany
Telephone +49 7720 601 100
Fax +49 7720 601 290
www.waldmann.com
sales.germany@waldmann.com

SWEDEN

Waldmann Ljusteknik AB
Skebokvarnsvägen 370
124 50 Bandhagen
Sweden
Telephone +46 8 990 350
Fax +46 8 991 609
www.waldmann.com
info-se@waldmann.com

SWITZERLAND

Waldmann Lichttechnik GmbH
Benkenstrasse 57
5024 Küttigen
Switzerland
Telephone +41 62 839 12 12
Fax +41 62 839 12 99
www.waldmann.com
info-ch@waldmann.com

USA

Waldmann Lighting Company
9, W. Century Drive
Wheeling, Illinois 60090
USA
Telephone +1 847 520 1060
Fax +1 847 520 1730
www.waldmannlighting.com
waldmann@waldmannlighting.com

AUSTRIA

Waldmann Lichttechnik Ges.m.b.H
Gewerbepark Wagram 7
4061 Pasching/Linz
Austria
Telephone +43 7229 67 400
Fax +43 7229 67 444
www.waldmann.com
info-at@waldmann.com

SINGAPORE

Waldmann Lighting Singapore Pte. Ltd.
22 Cross Street
#02-50/51
South Bridge Court
Singapore 048421
Singapore
Telephone +65 6275 8300
Fax +65 6275 8377
www.waldmann.com
sales-sg@waldmann.com

FRANCE

Waldmann Eclairage S.A.S
Z.I. - Rue de l'Embranchement
67116 Reichstett
France
Telephone +33 3 8820 95 88
Fax +33 3 8820 95 68
www.waldmann.com
info-fr@waldmann.com

CHINA

Waldmann Lighting (Shanghai) Co. Ltd.
Part A, No. Five Normative Workshop
199 Changjian Road, Baoshan
Shanghai, P.R.C. 200949
China
Telephone +86 21 5169 1799
Fax +86 21 3385 0032
www.waldmann.com
info@waldmann.com.cn

ITALY

Waldmann Illuminotecnica S.r.l.
Via della Pace, 18 A
20098 San Giuliano Milanese (MI)
Italy
Telephone +39 02 98 24 90 24
Fax +39 02 98 24 63 78
www.waldmann.com
info-it@waldmann.com

INDIA

Waldmann Lighting PVT. Ltd.
Plot No. 52
Udyog Vihar
Phase-VI, Sector-37
GURGAON-122001, Haryana
India
Telephone +91 124 412 1600
Fax +91 124 412 1611
www.waldmann.com
sales-in@waldmann.com

NETHERLANDS

Waldmann BV
Lingewei 19
4004 LK Tiel
Netherlands
Telephone +31 344 631 019
Fax +31 344 627 856
www.waldmann.com
info-nl@waldmann.com

Derungs Licht AG

Hofmattstrasse 12
9200 Gossau
Switzerland
Telephone +41 71 388 11 66
Fax +41 71 388 11 77
www.derungslicht.com
mailbox@derungslicht.com



Further distribution partners you find at: www.derungslicht.com