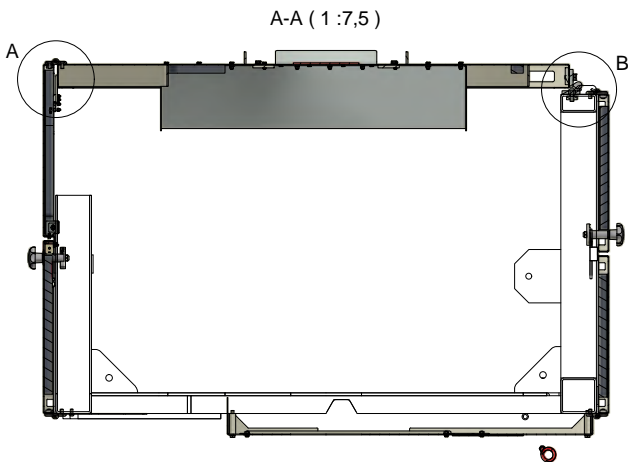
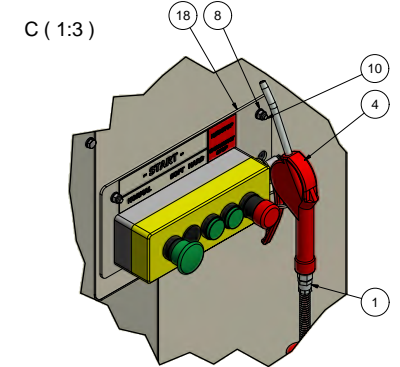
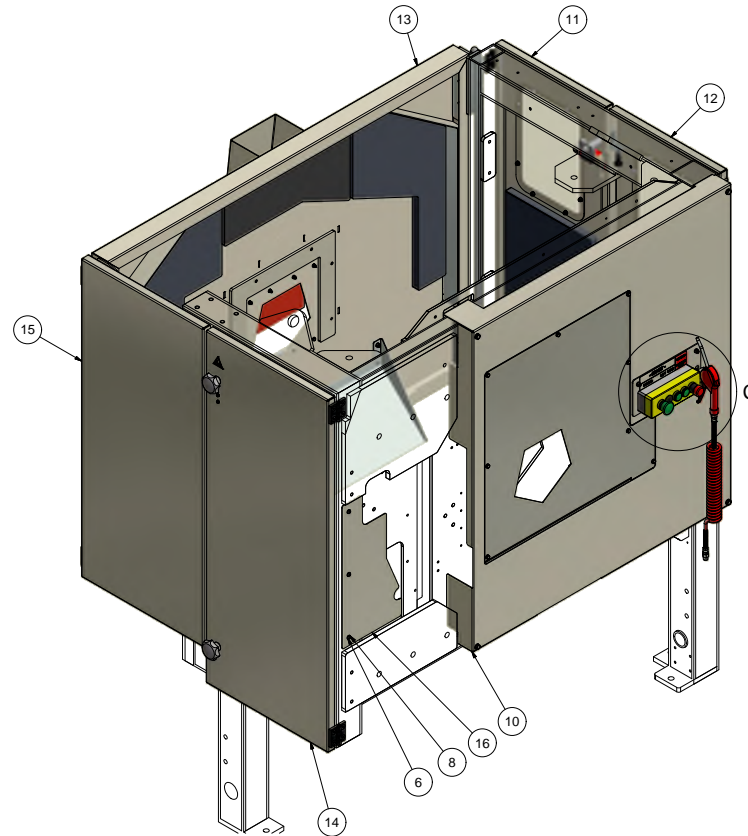
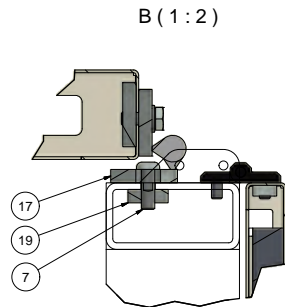
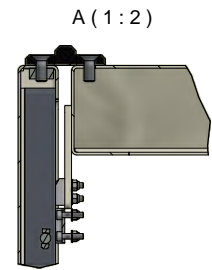
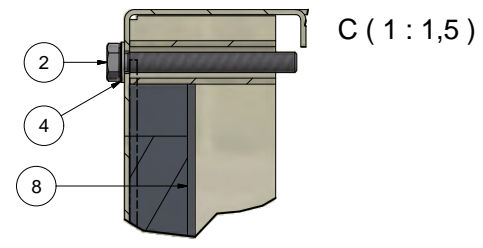


PARTS LIST			
ITEM	QTY	PART NUMBER	DESCRIPTION
1	1	175804	Spring hose < 8 x 6000mm x 1/4" (M/M)
2	2	17906000	Self-locking nut M6 FZB
3	2	206384	Position bolt < 6 x M12x1,5
4	1	217105	Blow gun, Airboy
5	2	47212150	Lock nut M12x1,5 FZB
6	3	76006016	Buttonhead bolt M6x16 FZB
7	6	76010030	Buttonhead Bolt M10x30 FZB
8	5	82108000	Washer M6 FZB
9	1	82110000	Washer M10 FZB
10	1	M101859	Machine Covers Front, HG10
11	1	M101860	Machine Covers Right Side 2, HG10
12	1	M101861	Machine Covers Right Side 1, HG10
13	1	M101862	Machine Cover End, HG10
14	1	M101863	Machine Covers Left Side 1, HG10
15	1	M101864	Machine Covers Left Side 2, HG10
16	1	M101872	Machine Cover Front 3
17	2	M200626	Hinge bracket
18	1	M201535	Assembly of operating box
19	1	M201580	Clamping Plate

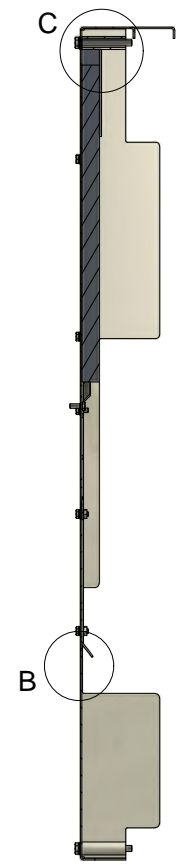


Break all edges			
Scale: 1:7,5	DS/ISO 2768-m	No	1/1
M101873			
Machine Cover			
Revision: 1	Approved: MBO	Date: 09-02-2016	Revision Description: Made

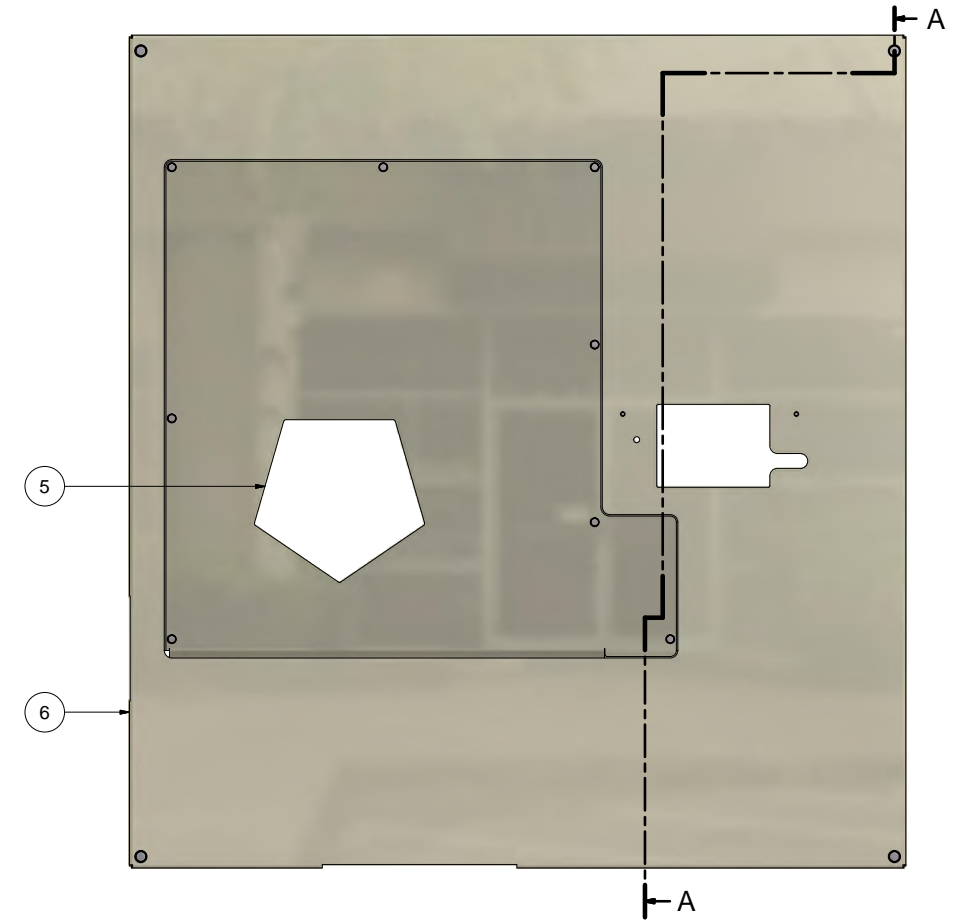
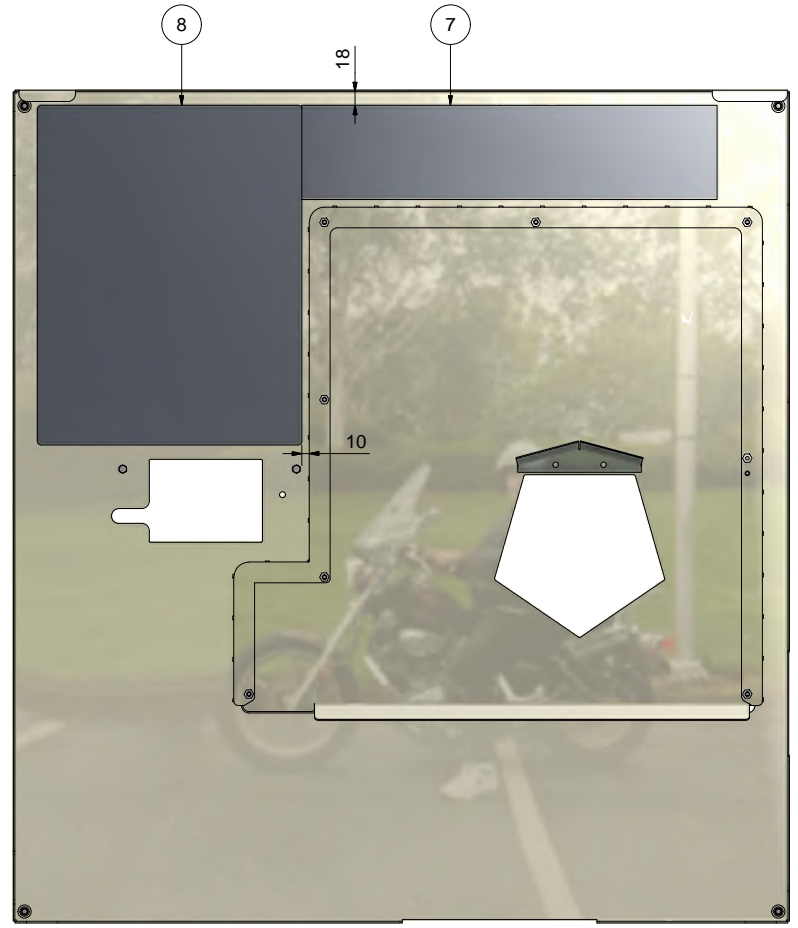
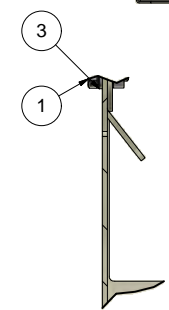
PARTS LIST			
ITEM	QTY	PART NUMBER	DESCRIPTION
1	8	11406012	Hexagon bolt M6x12 FZB
2	4	11408070	Hexagon bolt M8x70 FZB
3	8	82106000	Washer M6 FZB
4	4	82108000	Washer M8 FZB
5	1	M101866	Machine Cover Front 2
6	1	M101867	Machine Cover Front 1, HG10
7	1	M21256	Sound insulation 2
8	1	M21261	Sound insulation 4



A-A (1:5)



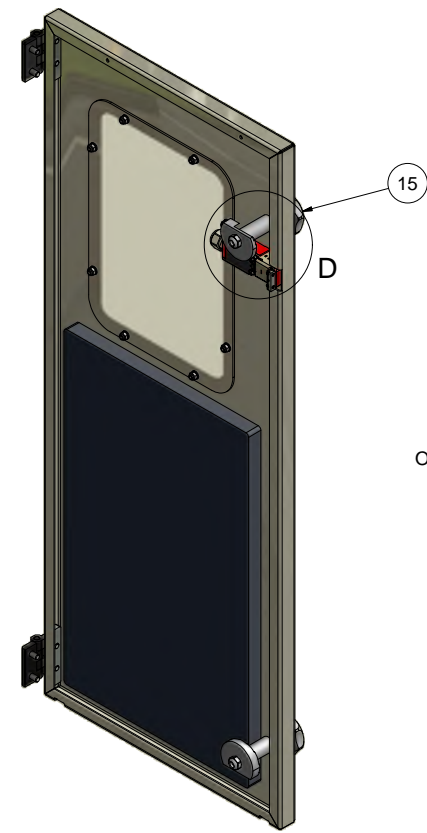
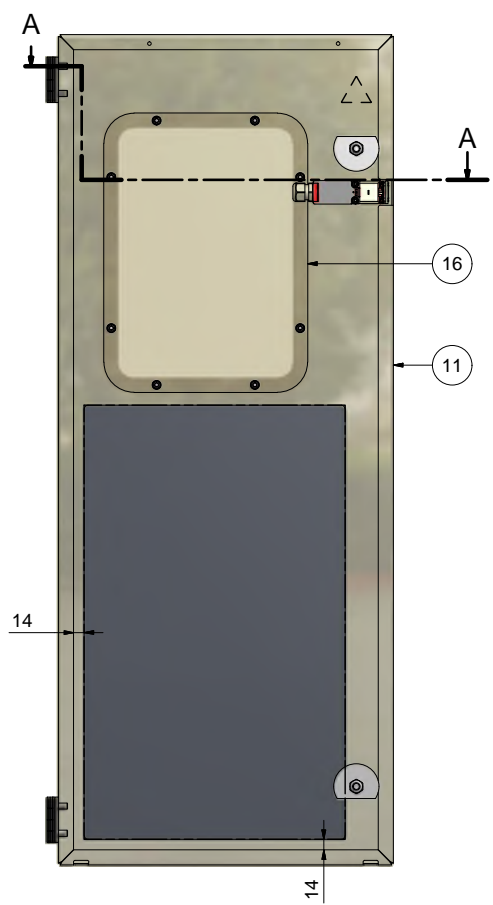
B (1:1,5)



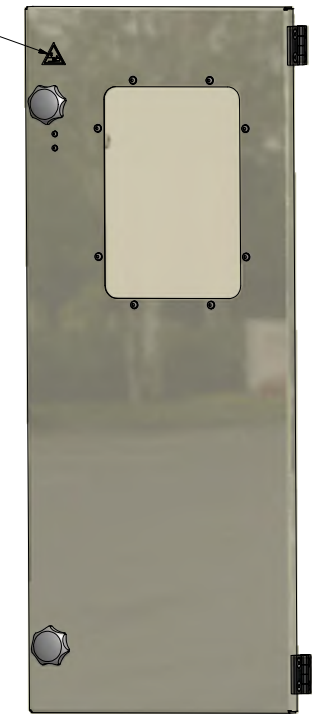
Break all edges			
	Scale:	Not specified tolerance according to:	Sheet size:
	1:5	DS/ISO 2768-m	A2
	Surface properties:	No	Sheet:
			1/1
Part No:	Material:		
M101859			
Description 1:			
Machine Covers Front, HG10			
Description 2:			

Revision:	Approved	Date:	Revision Description
1	MBO	10-02-2016	Made

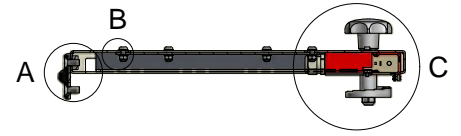
PARTS LIST			
ITEM	QTY	PART NUMBER	DESCRIPTION
1	2	101147463	SAFETY SCREW M4x8 FZB
2	2	10204035	Hexagon cylinder head M4x35 FZB
3	2	17904000	Self-locking nut M4 FZB
4	8	17906000	Self-locking nut M6 FZB
5	8	20408020	Hexagon countersunk head M8x20 FZB
6	2	207940	Hinge GN237-60-60
7	1	600455	Cabel gland M20 < 5-12
8	8	76006016	Buttonhead bolt M6x16 FZB
9	4	82104000	Chamfered Washer M4 FZB
10	16	82106000	Chamfered Washer M6 FZB
11	1	M101869	Machine Covers Right Side 2.1
12	1	M10650	Lock Plate
13	2	M200630	Bracket
14	1	M200906	Door switch with key
15	2	M200988	Door lock SG 117-gb-t1-z15
16	1	M201130	Window screen
17	1	M21276	Sound insulation- 12



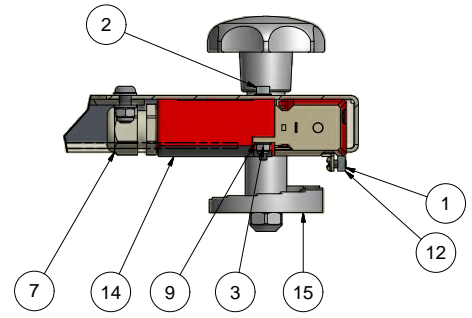
Naklej naklejk
Ostrze enie mo liwo uszkodzenia palc5w
Apply sticker
Warning finger crushing



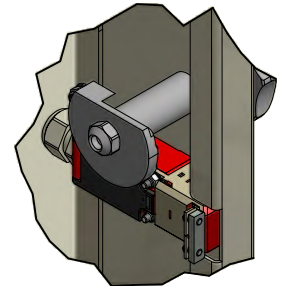
A-A (1:5)



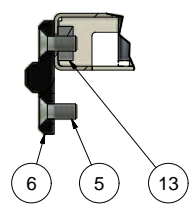
C (1:2)



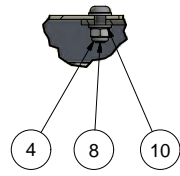
D (1:2)



A (1:2)

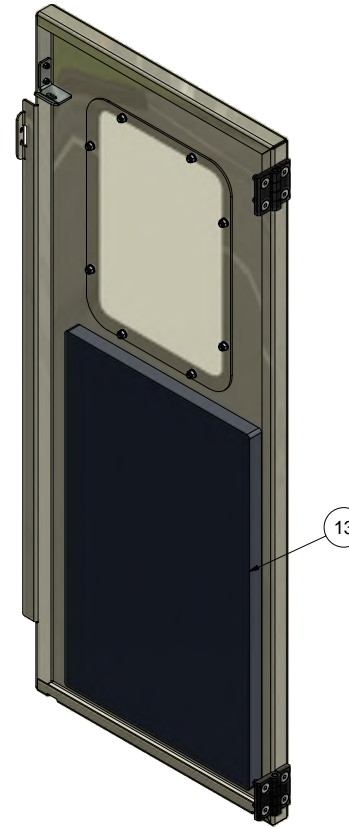
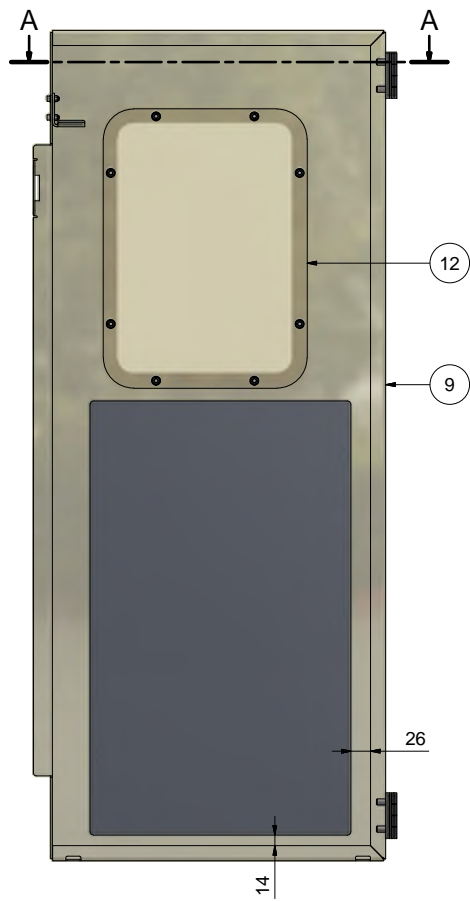


B (1:2)

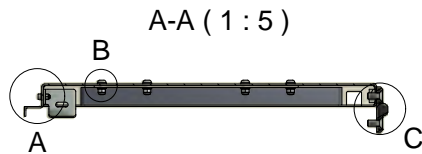


Break all edges			
<small>THE INFORMATION CONTAINED HEREIN IS THE PROPERTY OF HEBE/STED GRUPP A/S</small>	Scale:	Not specified tolerance according to:	Sheet size:
	1:5	DS/ISO 2768-m	A2
Part No:	Surface properties:	No	Sheet:
M101860	Material:		1/1
Description 1: Machine Covers Right Side 2, HG10			
Description 2:			

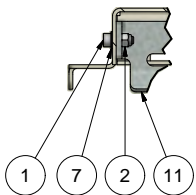
Revision:	Approved	Date:	Revision Description
1	MBO	09-02-2016	Made



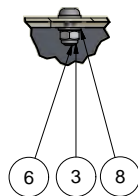
		PARTS LIST	
ITEM	QTY	PART NUMBER	DESCRIPTION
1	2	10204012	Hexagon cylinder head M4x12 FZB
2	2	17904000	Self-locking nut M4 FZB
3	8	17906000	Self-locking nut M6 FZB
4	8	20408020	Hexagon countersunk head M8x20 FZB
5	2	207940	Hinge GN237-60-60
6	8	76006016	Buttonhead bolt M6x16 FZB
7	2	82104000	Chamfered Washer M4 FZB
8	16	82106000	Chamfered Washer M6 FZB
9	1	M101870	Machine Covers Right Side 1.1
10	2	M200630	Bracket
11	1	M200651	Door Bracket
12	1	M201130	Window screen
13	1	M21276	Sound insulation- 12



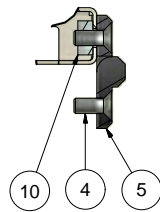
A (1:2)



B (1:2)

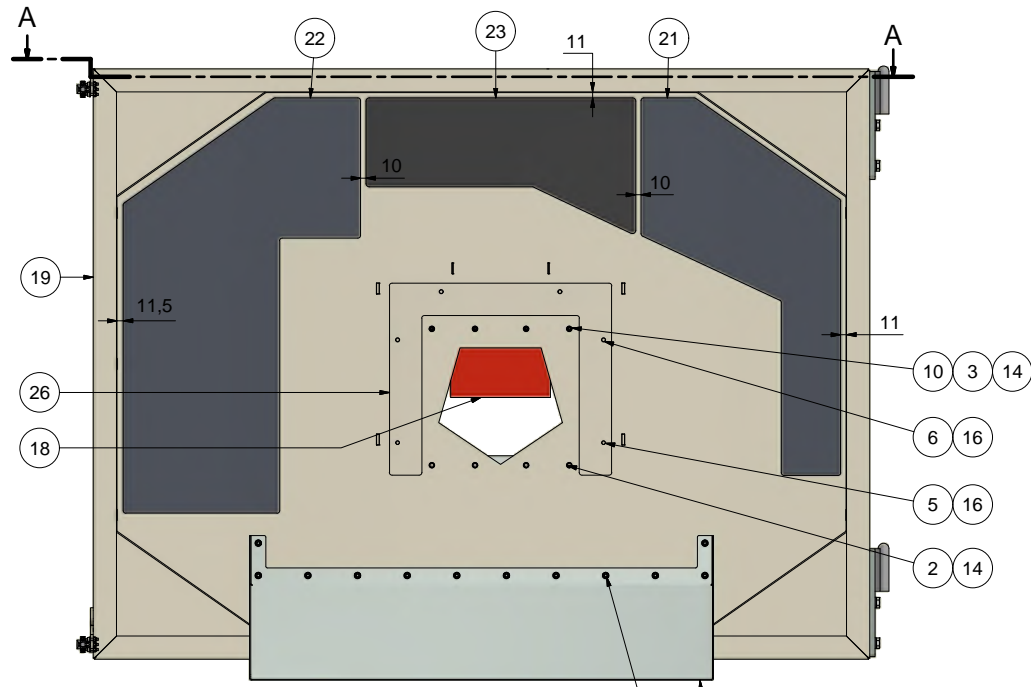


C (1:2)

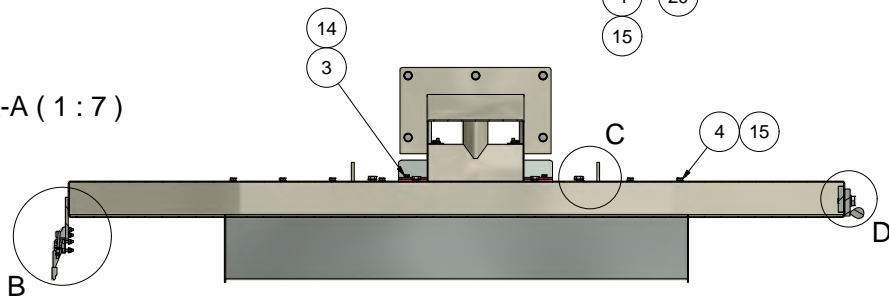


Break all edges			
	Scale:	Not specified tolerance according to:	Sheet size:
	1:5	DS/ISO 2768-m	A2
	Surface properties:	No	Sheet:
			1/1
Part No.:	M101861		
Description 1:	Machine Covers Right Side 1, HG10		
Description 2:			

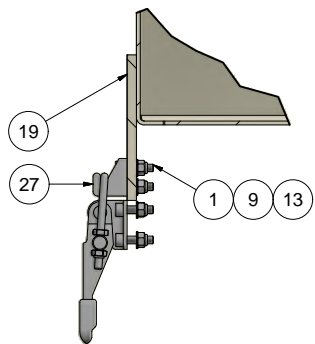
Revision:	Approved	Date:	Revision Description
1	MBO	09-02-2016	Made



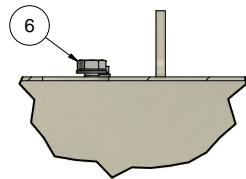
A-A (1 : 7)



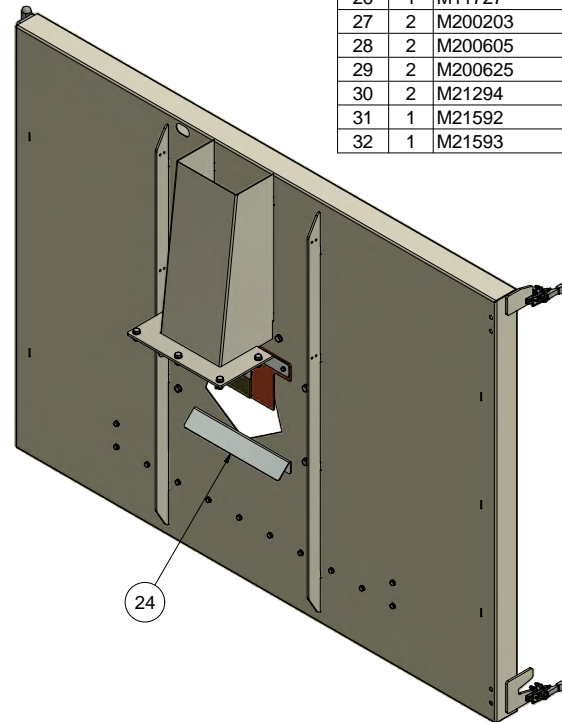
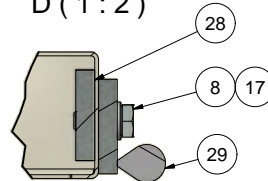
B (1 : 2)



C (1 : 2)



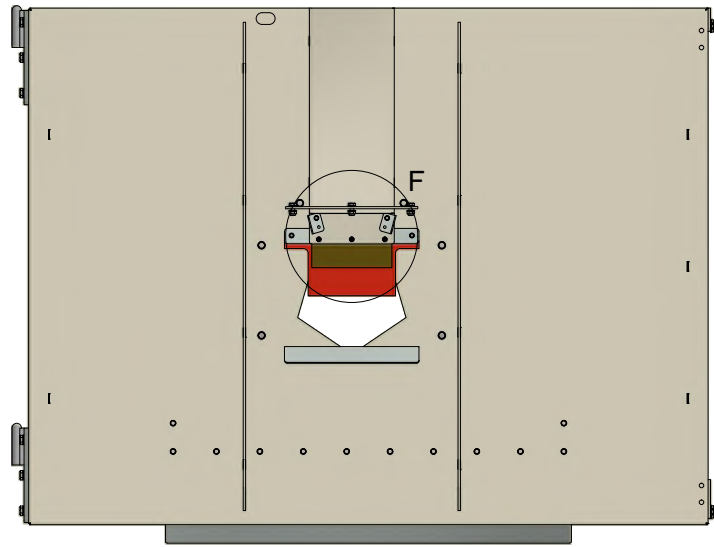
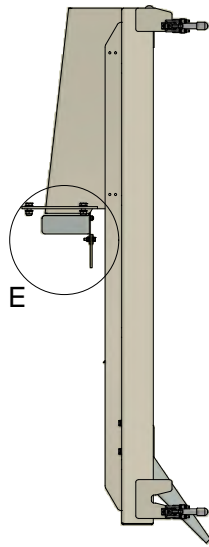
D (1 : 2)



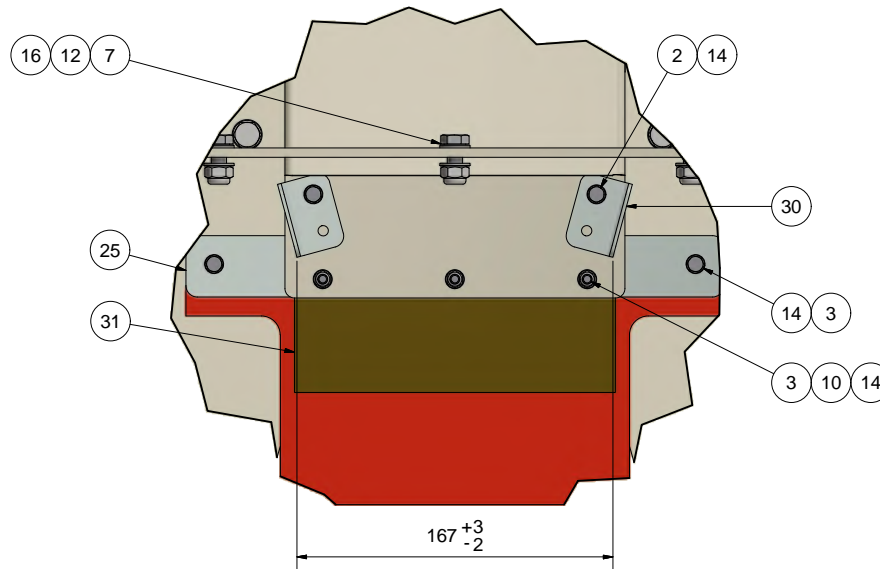
PARTS LIST				
ITEM	QTY	PART NUMBER	DESCRIPTION	
1	12	10204016	Hexagon cylinder head M4x16 FZB	
2	6	11405012	Hexagon bolt M5x12 FZB	
3	7	11405020	Hexagon bolt M5x20 FZB	
4	12	11406016	Hexagon bolt M6x16 FZB	
5	2	11408012	Hexagon bolt M8x12 FZB	
6	4	11408016	Hexagon bolt M8x16 FZB	
7	5	11408020	Hexagon bolt M8x20 FZB	
8	6	11410025	Hexagon bolt M10x25 FZB	
9	12	17904000	Self-locking nut M4 FZB	
10	13	17905000	Self-locking nut M5 FZB	
11	12	17906000	Self-locking nut M6 FZB	
12	5	17908000	Self-locking nut M8 FZB	
13	12	82104000	Washer M4 FZB	
14	26	82105900	Washer M5 FZB	
15	24	82106000	Washer M6 FZB	
16	16	82108000	Washer M8 FZB	
17	6	82110000	Washer M10 FZB	
18	1	M100531	Rubber Lip for Beam Exit Hole	
19	1	M101823	Machine Cover End 1	
20	1	M101857	Machine Cover End Slope	
21	1	M101962	Sound insulation- 18	
22	1	M101963	Sound insulation- 19	
23	1	M101964	Sound insulation 17	
24	1	M10653	Chute for Rear End	
25	1	M10713	Bracket for Rubber Lip	
26	1	M11727	Machine Cover End 1.5	
27	2	M200203	Latch clamp GN 851-160-T2	
28	2	M200605	Hinge bracket	
29	2	M200625	Hinge bracket	
30	2	M21294	Guide for sawdust	
31	1	M21592	Rubber, sawdust channel	
32	1	M21593	Plate for sawdust channel	

Break all edges			
	Scale:	Not specified tolerance according to:	Sheet size:
	1 : 7	DS/ISO 2768-m	A2
Part No.: M101862	Surface properties:	No	Sheet:
	Material:		1 / 2
Description 1: Machine Cover End, HG10			
Description 2:			

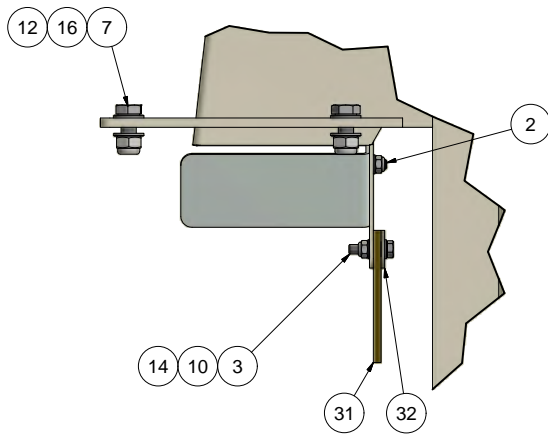
Revision:	Approved	Date:	Revision Description
1	MBO	09-02-2016	Made



F (1:2)

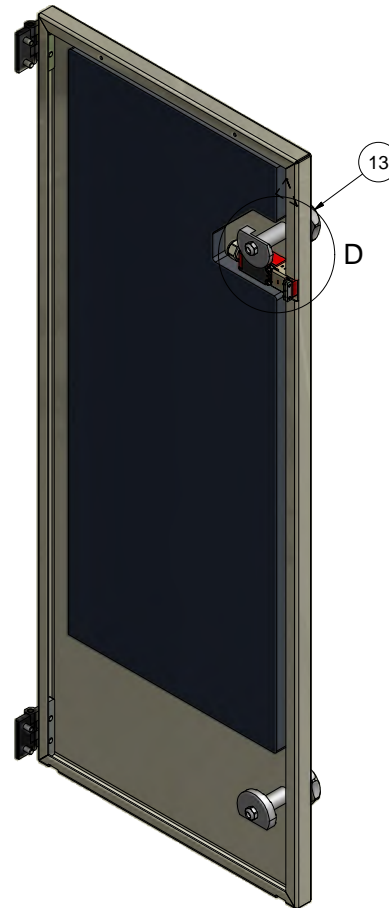
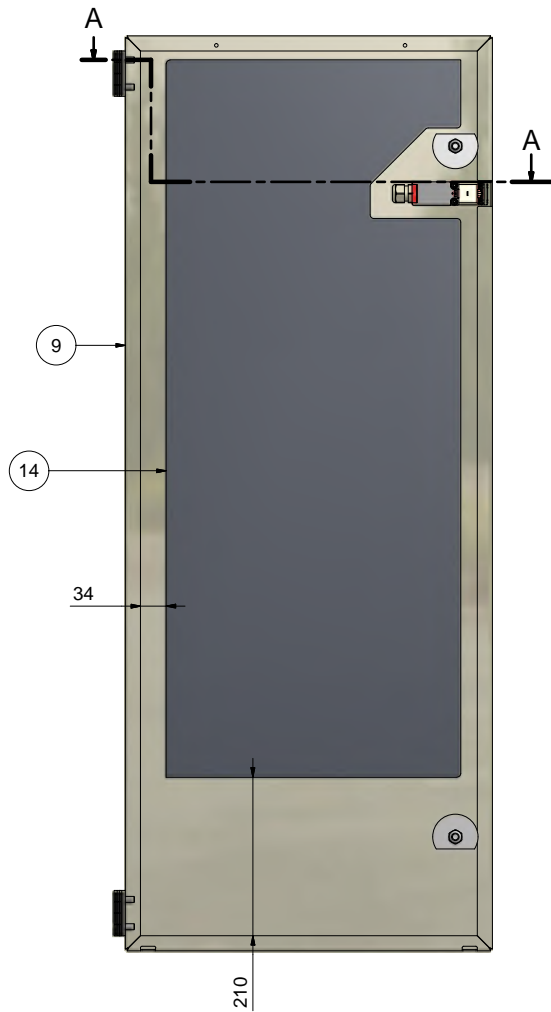


E (1:2)



Break all edges			
	Scale:	Not specified tolerance according to:	Sheet size:
	1 : 7	DS/ISO 2768-m	A2
	Surface properties:	No	Sheet:
			2 / 2
Part No:	Material:		
M101862			
Description 1: Machine Cover End, HG10			
Description 2:			

Revision:	Approved	Date:	Revision Description
1	MBO	09-02-2016	Made

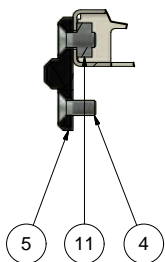


PARTS LIST			
ITEM	QTY	PART NUMBER	DESCRIPTION
1	2	101147463	SAFETY SCREW M4x8 FZB
2	2	10204035	Hexagon cylinder head M4x35 FZB
3	2	17904000	Self-locking nut M4 FZB
4	8	20408020	Hexagon countersunk head M8x20 FZB
5	2	207940	Hinge GN237-60-60
7	1	600455	Cabel gland M20 < 5-12
8	4	82104000	Chamfered Washer M4 FZB
9	1	M101868	Machine Covers Left Side 1.1
10	1	M10650	Lock Plate
11	2	M200630	Bracket
12	1	M200906	Door switch with key
13	2	M200988	Door lock SG 117-gb-t1-z15
14	1	M21266	Sound insulation 6

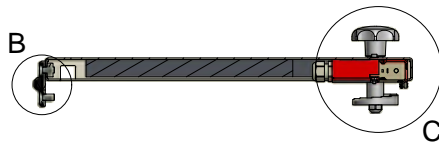
Naklei naklejk
 Ostrze enie mo liwo uszkodzenia palc5w
 Apply sticker
 Warning finger crushing



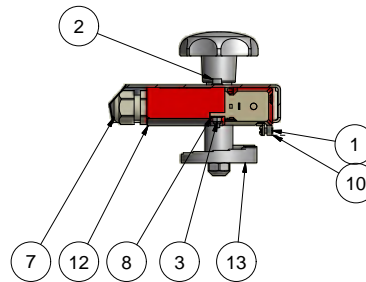
B (1:2)



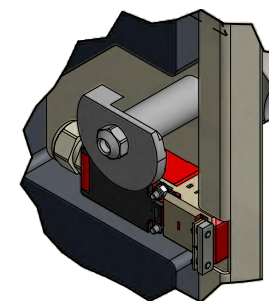
A-A (1:5)



C (1:3)



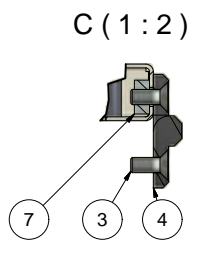
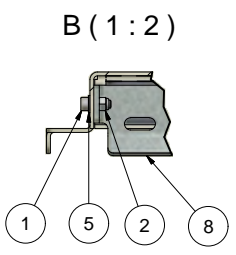
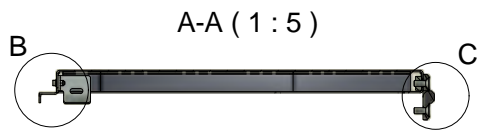
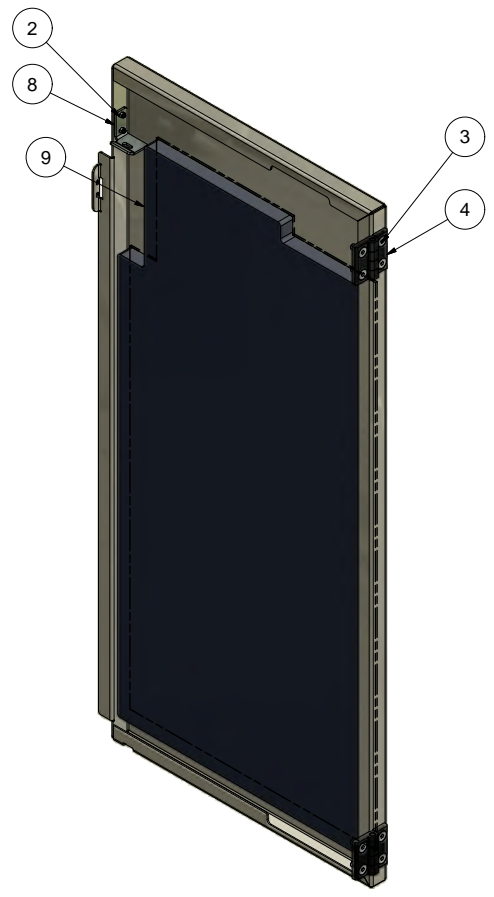
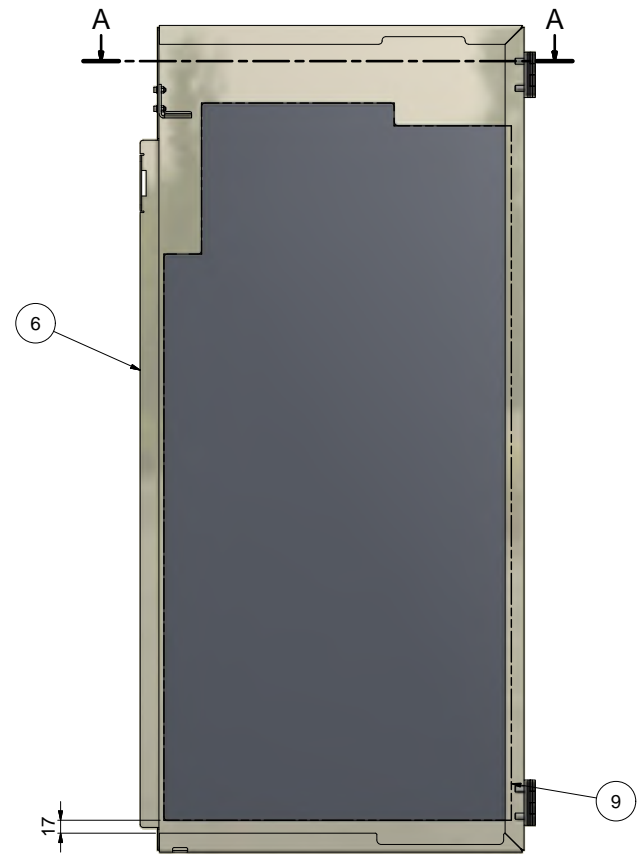
D (1:2)



Break all edges			
	Scale:	Not specified tolerance according to:	Sheet size:
	1:5	DS/ISO 2768-m	A2
	Surface properties:	No	Sheet:
			1/1
Part No.: M101863			
Description 1: Machine Covers Left Side 1, HG10			
Description 2:			

Revision:	Approved	Date:	Revision Description
1	MBO	09-02-2016	Made

PARTS LIST			
ITEM	QTY	PART NUMBER	DESCRIPTION
1	2	10204012	Hexagon cylinder head M4x12 FZB
2	2	17904000	Self-locking nut M4 FZB
3	8	20408020	Hexagon countersunk head M8x20 FZB
4	2	207940	Hinge GN237-60-60
5	2	82104000	Chamfered Washer M4 FZB
6	1	M101871	Machine covers Left Side 2.1
7	2	M200630	Bracket
8	1	M200651	Door Bracket
9	1	M21268	Sound insulation 8

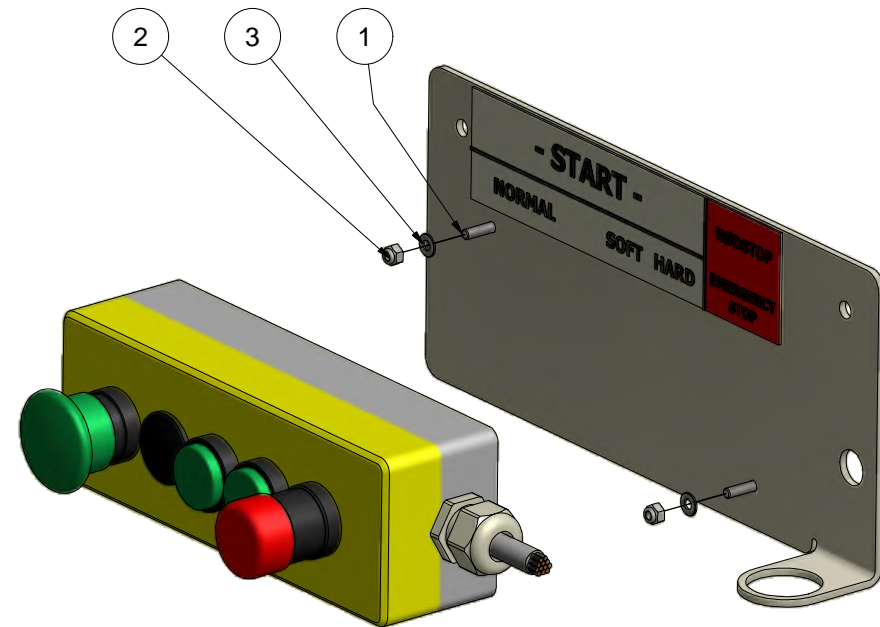
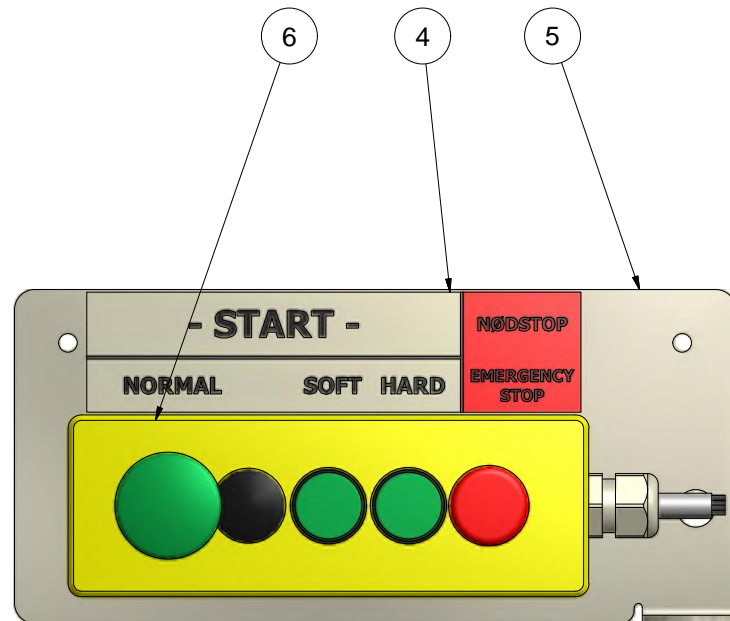


Revision	Approved	Date	Revision Description
1	MBO	09-02-2016	Made

Break all edges

	Scale:	1 : 5	Not specified tolerance according to:	DS/ISO 2768-m	Sheet size:	A2
	Surface properties:	No	Material:		Sheet:	1 / 1
Part No.:	M101864					
Description 1:	Machine Covers Left Side 2, HG10					
Description 2:						

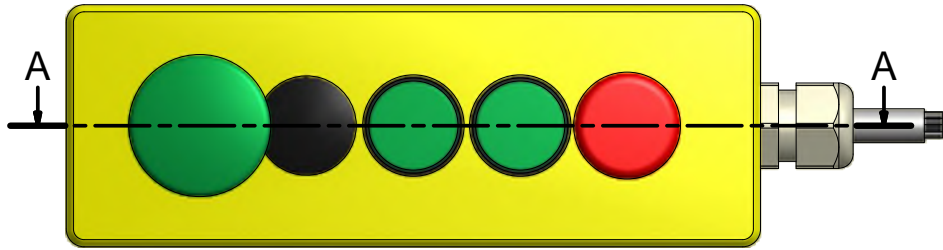
PARTS LIST			
ITEM	QTY	PART NUMBER	DESCRIPTION
1	2	10204016	Hexagon cylinder head M4x16 FZB
2	2	17904000	Self-locking nut M4 FZB
3	2	82104000	Chamfered Washer M4 FZB
4	1	M201062	Label for remote
5	1	M201515	Plate for controle panel
6	1	M201530	Box for buttons



Break all edges

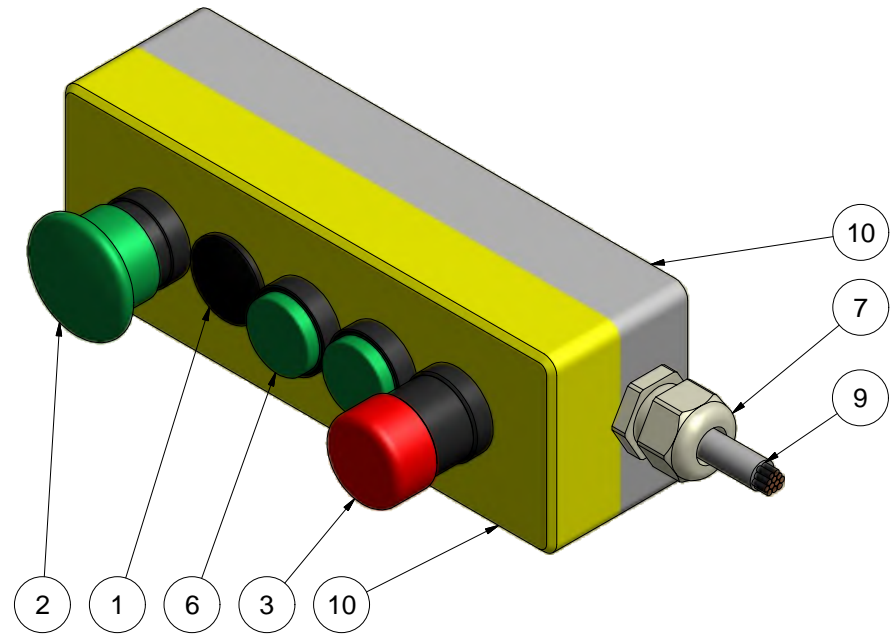
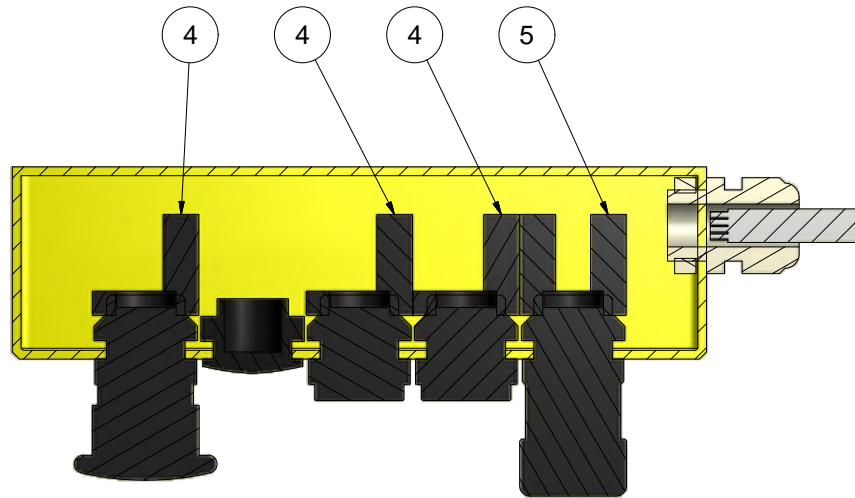
The drawing is a technical drawing and is not to be used for manufacturing without the approval of the design department.			Scale:	Not specified tolerance according to:	Sheet size:	
			1 : 2	DS/ISO 2768-m	A3	
				Surface properties:	No	Sheet:
						1 / 1
Part No.:		Material:				
M201535						
Description 1:						
Assembly of operating box						
Description 2:						
HG fleshingmachine						

Revision:	Approved	Date:	Revision Description
1	HG	27-09-2015	Revision changed to numeric



PARTS LIST			
ITEM	QTY	PART NUMBER	DESCRIPTION
1	1	600014	Blind plug ZB5SZ3 F-< 22
2	1	600028	Toad pushbutton green
3	1	600032	Emergency stop button
4	3	600034	Contact Element ZB5AZ101
5	1	600036	Contact Element ZB5AZ104
6	2	600038	Pushbutton green ZB5 AL3
7	1	600455	Cabel gland M20 < 5-12
8	1	600475	Nut M20 polyamid
9	5,0 m	601005	Cable JZ 12G 0,75
10	1	601312	Boks for buttons 5 hole

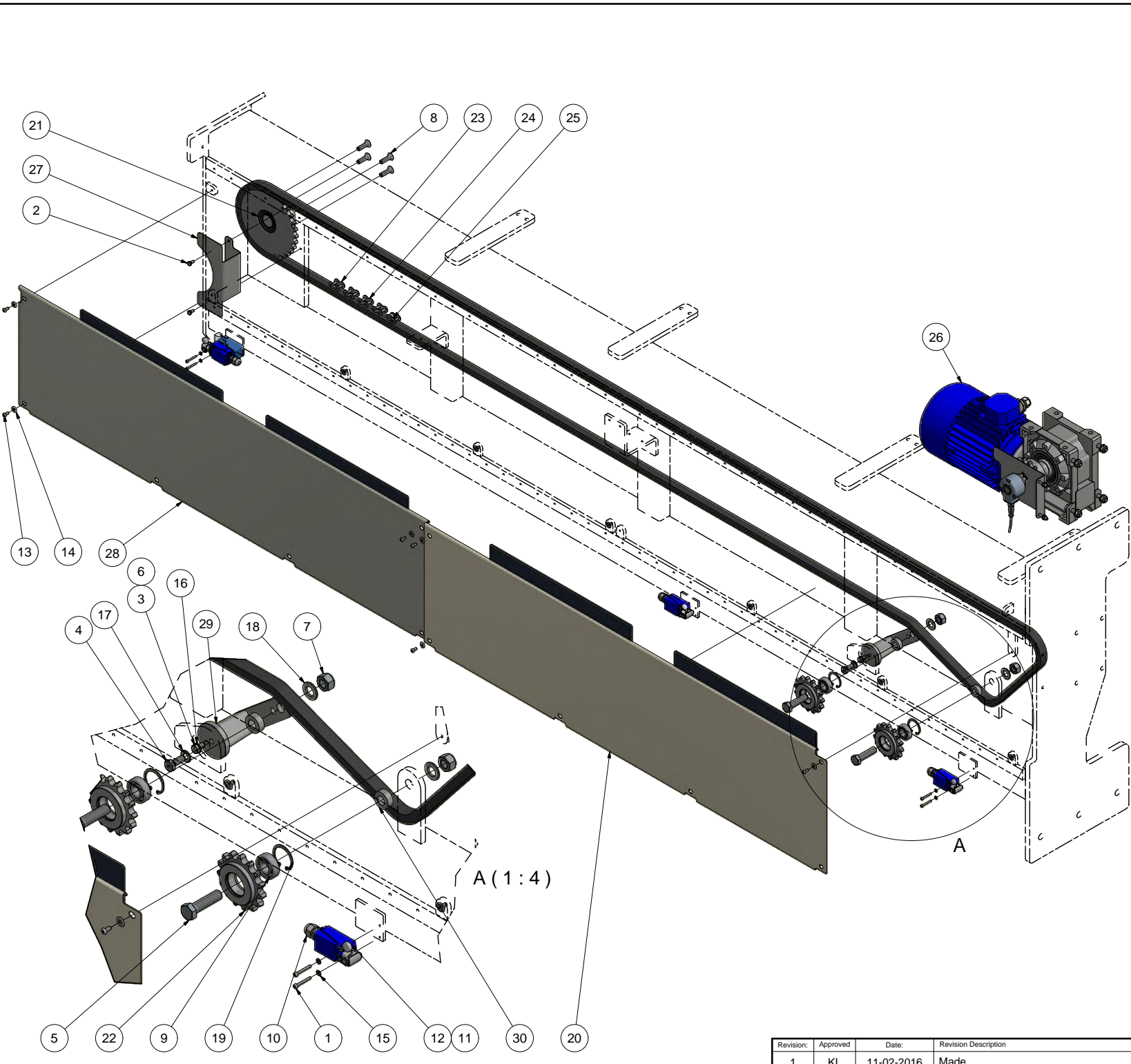
A-A (1 : 1,5)



Break all edges

This drawing is the property of HEDENSTED GRUPPEN A/S. It is not to be copied, reproduced or disclosed to any third parties.			Scale:	Not specified tolerance according to:	Sheet size:	
			1 : 1,5	DS/ISO 2768-m	A3	
				Surface properties:	No	Sheet:
						1 / 1
Part No.:		Material:				
M201530						
Description 1:						
Box for buttons						
Description 2:						

Revision:	Approved	Date:	Revision Description
1	HG	28-09-2015	Revision changed to numeric



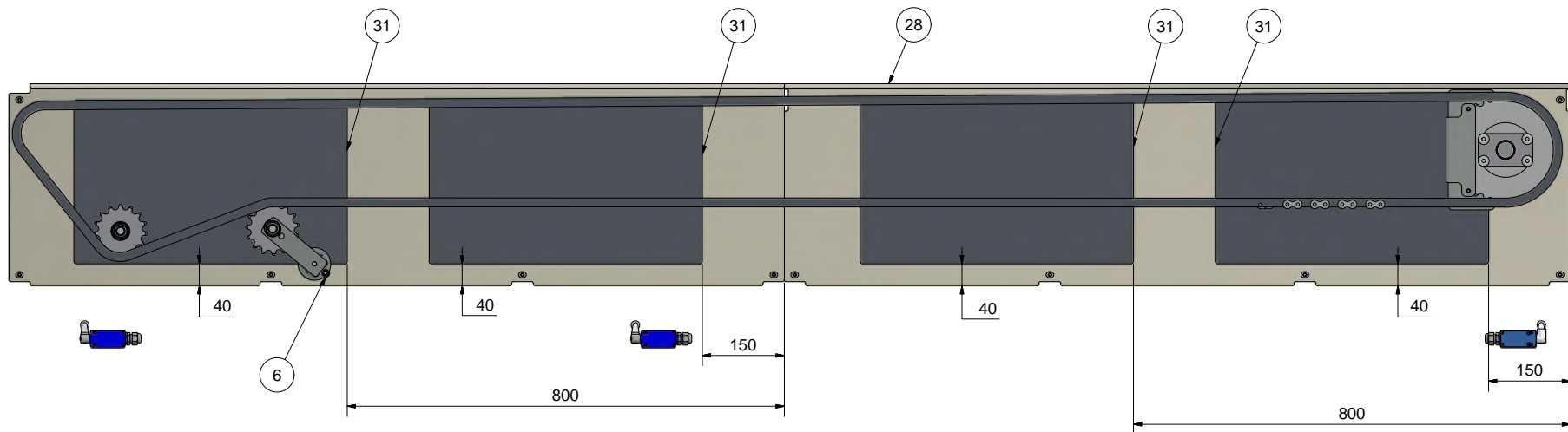
PARTS LIST			
ITEM	QTY	PART NUMBER	DESCRIPTION
1	6	10204030	Hexagon cylinder head M4x30 FZB
2	2	11406012	Hexagon bolt M6x12 FZB
3	1	11408035	Hexagon bolt M8x35 FZB
4	1	11410025	Hexagon bolt M10x25 FZB
5	2	11416060	Hexagon bolt M16x60 FZB
6	1	17908000	Self-locking nut M8 FZB
7	2	17916000	Self-locking nut M16 FZB
8	4	20410035	Hexagon countersunk head M10x35 FZB
9	2	473036	Bearing < 17x< 40x12
10	3	600460	Cable gland M16 < 2,5-8
11	3	600975	End stop XCKD2118 Telemecanique
12	3	600976	Metal wheel for end stop ZCY16-2
13	12	76006012	Buttonhead bolt M6x12 FZB
14	12	80306900	Washer < 6x16x1,0 FZB
15	6	82104000	Washer M4 FZB
16	1	82108000	Washer M8 FZB
17	1	82110000	Washer M10 FZB
18	2	82116000	Washer M16 FZB
19	2	89840000	Seeger ring for hole < 40
20	1	M101907	Front cover 2
21	1	M200060	Chainwheel 121 Z32
22	2	M200075	Chainwheel 12B1 Z15
23	6,00	M200085	Roller chain 12B1 3/4" m
24	3	M200087	Chain connection 12B1
25	1	M200088	Chain connection 12B1
26	1	M200115	Gear assembly
27	1	M201105	Cover for chain
28	1	M201440	Front cover
29	1	M201445	Chain tensioner
30	2	M201455	Washer
31	4	M21272	Sound insulation-18

Break all edges

	Scale:	1 : 6,5	Not specified tolerance according to:	DS/ISO 2768-m	Sheet size:	A2
	Surface properties:	No	Material:		Sheet:	1 / 2
Part No.:	M101874					
Description 1:	Chain system HG10					
Description 2:						

Revision	Approved	Date:	Revision Description
1	KL	11-02-2016	Made

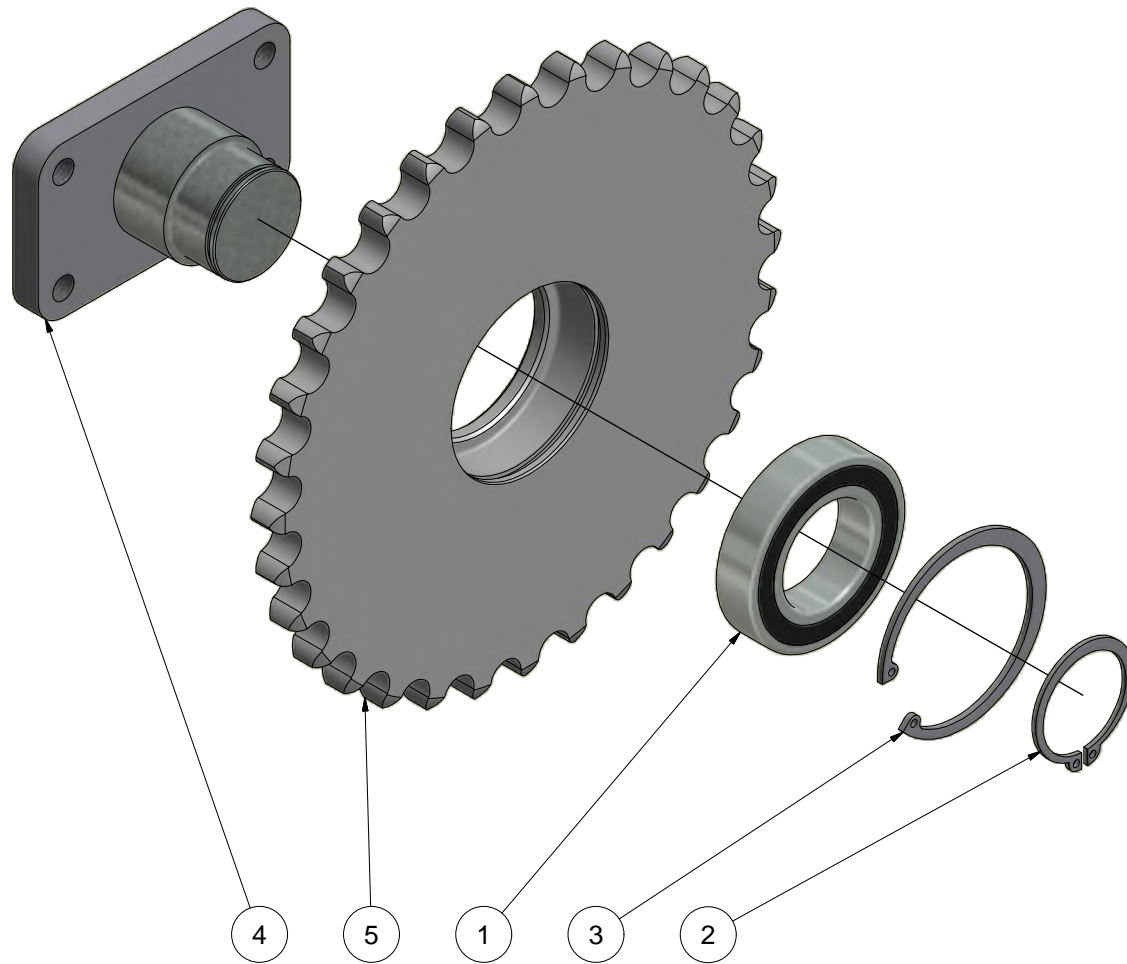
Widok z boku View from the backside



Break all edges			
	Scale:	Not specified tolerance according to:	Sheet size:
	1 : 6.5	DS/ISO 2768-m	A2
	Surface properties:	No	Sheet:
			2 / 2
Part No.:	Material:		
M101874			
Description 1:	Chain system HG10		
Description 2:			

Revision:	Approved	Date:	Revision Description
1	KL	11-02-2016	Made

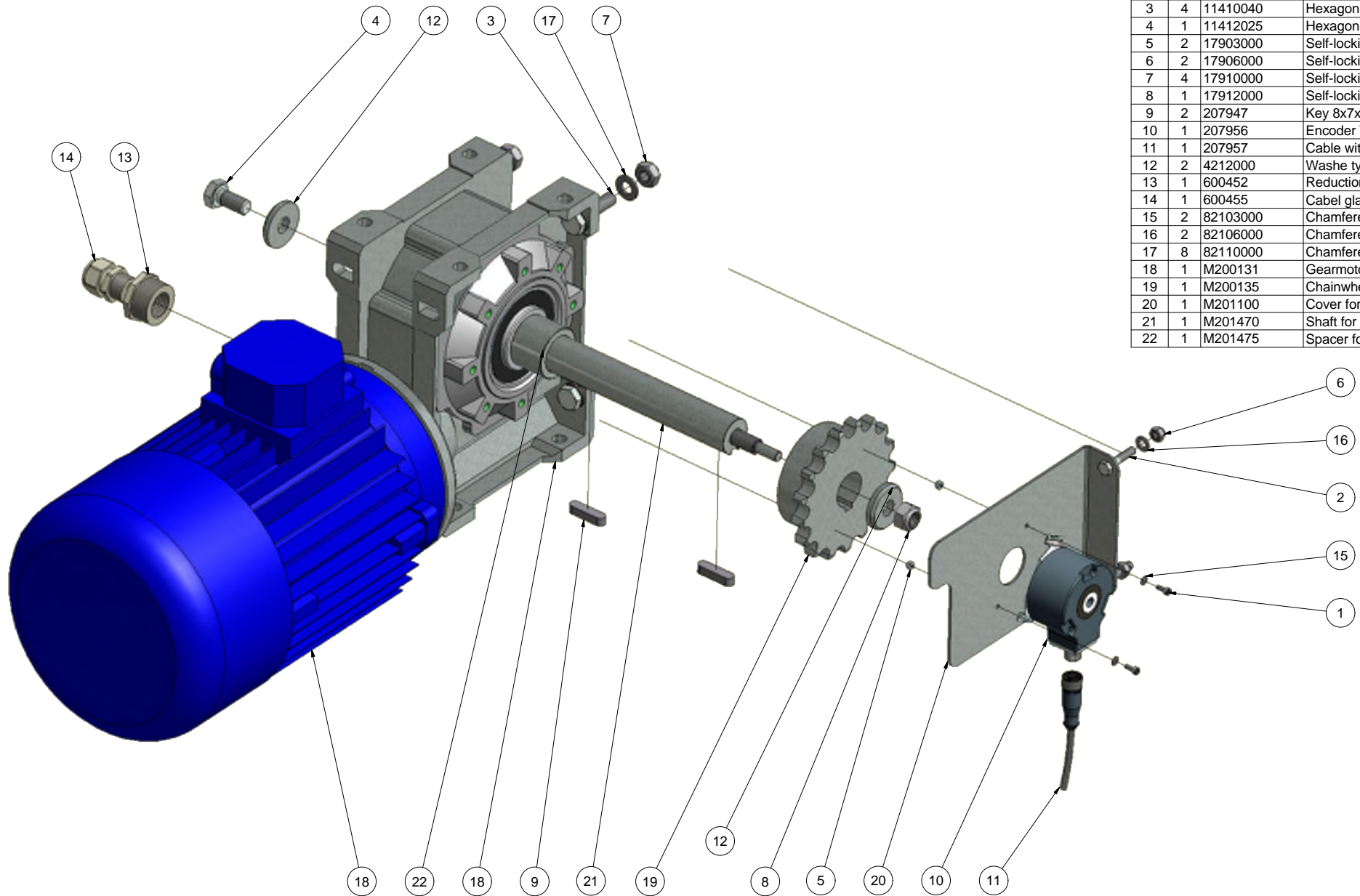
PARTS LIST			
ITEM	QTY	PART NUMBER	DESCRIPTION
4	1	M200125	Flange for chainwheel
1	1	473024	Bearing 6007 2RS
5	1	M200130	Chainwheel w. hub 12B1-Z32
3	1	89862000	Seeger ring for bore < 62
2	1	89735000	Seeger ring for shaft < 35



Break all edges

<small>Alle Rechte vorbehalten. Nachdruck, Vervielfältigung und Verbreitung, auch auszugsweise, ist ohne schriftliche Genehmigung der HEDENSTEDT GRUPPEN A/S.</small>		Scale: 1 : 1,5	Not specified tolerance according to: DS/ISO 2768-m	Sheet size: A3
			Surface properties: No	Sheet: 1 / 1
	Part No.: M200060	Material:		
Description 1: Chainwheel 121 Z32				
Description 2: Assembly				

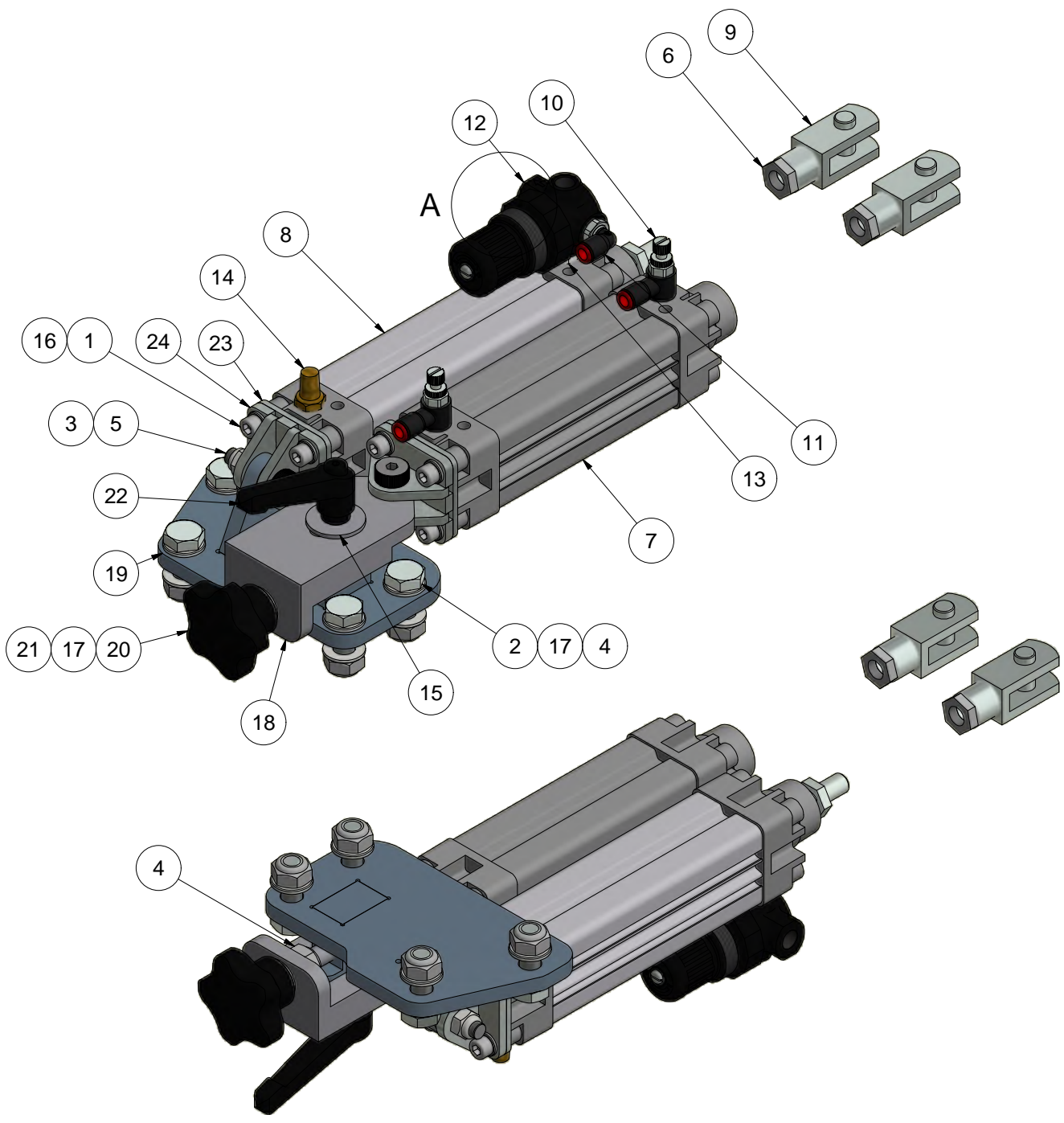
Revision:	Approved	Date:	Revision Description
1	HG	28-09-2015	Revision changed to numeric



PARTS LIST			
ITEM	QTY	PART NUMBER	DESCRIPTION
1	2	10203008	Hexagon cylinder head M3x08 FZB
2	2	11406030	Hexagon bolt M6x30 FZB
3	4	11410040	Hexagon bolt M10x40 FZB
4	1	11412025	Hexagon bolt M12x25 FZB
5	2	17903000	Self-locking nut M3 FZB
6	2	17906000	Self-locking nut M6 FZB
7	4	17910000	Self-locking nut M10 FZB
8	1	17912000	Self-locking nut M12 FZB
9	2	207947	Key 8x7x32mm DIN-6885A
10	1	207956	Encoder Type 8.5020.C922.0500
11	1	207957	Cable with plug 5 mtr
12	2	4212000	Washer type TBR SB 13x36x6 FZB
13	1	600452	Reduction Polyamid M32-M20
14	1	600455	Cabel gland M20 < 5-12
15	2	82103000	Chamfered Washer M3 FZB
16	2	82106000	Chamfered Washer M6 FZB
17	8	82110000	Chamfered Washer M10 FZB
18	1	M200131	Gearmotor MS100L 3kW 1400rpm
19	1	M200135	Chainwheel with hub 12B1-Z17
20	1	M201100	Cover for chain
21	1	M201470	Shaft for gear
22	1	M201475	Spacer for gear

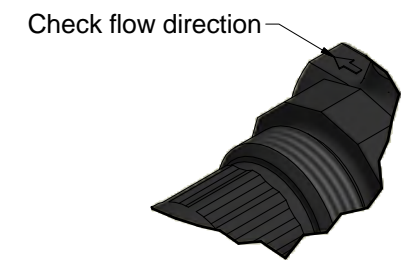
Break all edges			
	Scale:	Not specified tolerance according to:	Sheet size:
	1 : 2	DS/ISO 2768-m	A2
	Surface properties:	No	Sheet:
			1 / 1
Part No.:		Material:	
M200115			
Description 1: Gear assembly			
Description 2:			

Revision	Approved	Date	Revision Description
1	HG	28-09-2015	Revision changed to numeric



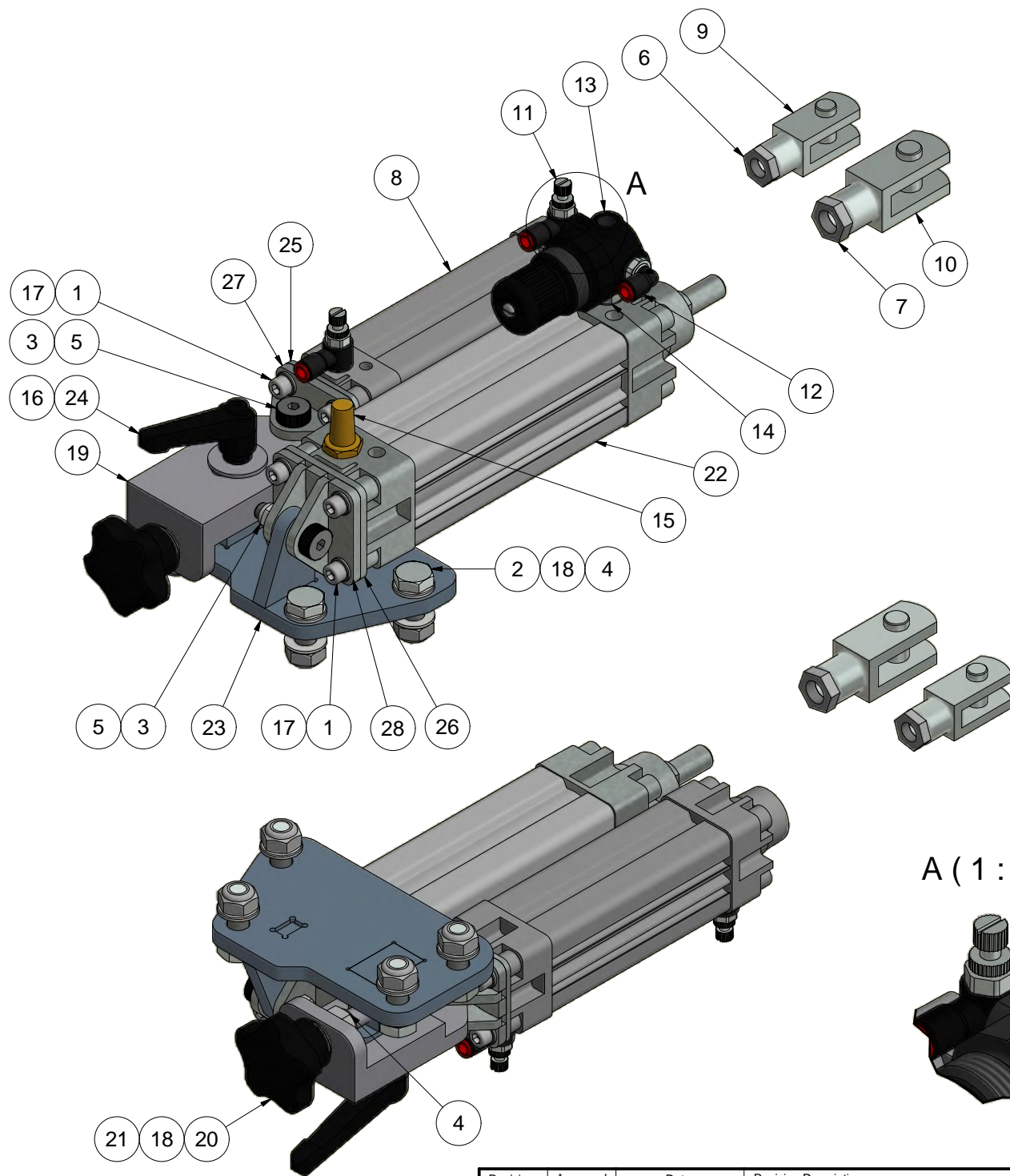
PARTS LIST			
ITEM	QTY	PART NUMBER	DESCRIPTION
1	8	10206020	Hexagon cylinder head M6x20 FZB
2	4	11410030	Hexagon bolt M10x30 FZB
3	2	17908000	Self-locking nut M8 FZB
4	5	17910000	Self-locking nut M10 FZB
5	2	20208020	Fitting bolt M8-10x20
6	2	210427	Lock nut M10x1,25 FZB
7	1	212090	Cylinder PRA/182032/M/80
8	1	212092	Cylinder PRA/182032/M/100
9	2	214115	F-Bracket QM/8025/25
10	2	215105	Flow banjo control < 6 x 1/8"
11	1	215760	Elbow swirvel < 6 x 1/8"
12	1	216208	Regulator 1/8" 0,3-7 bar
13	1	216721	Nipple 1/8"t x 1/8"t (M/M)
14	1	216796	Filter sintered 1/8+
15	1	4811028	Washer SRKB < 11x28x2 FZB
16	8	82106000	Washer M6 FZB
17	10	82110000	Washer M10 FZB
18	1	M101786	Mount Base For Cylinder
19	1	M101787	Mount for Cylinder
20	1	M101798	Adjustment screw M10 x 50mm
21	1	M101802	Bushing for Adjustment Screw
22	1	M101989	Handle, adjustable 63 x M10 - 20mm (M)
23	2	M10670	Spacer Plate for Cylinder < 32
24	2	M200185	Mounting Bracket Cyl < 32

A (1 : 1)



Revision:	Approved	Date:	Revision Description
2	WA	13-01-2017	M6 x 16 changed to M6 x 20

Break all edges				
The drawing is a technical drawing and is not to be used for manufacturing purposes without the approval of the design department.		Scale: 1 : 2	Not specified tolerance according to: DS/ISO 2768-m	Sheet size: A3
		Surface properties: No		Sheet: 1/1
	Part No.: M101877	Material:		
Description 1: Cylinder mount assembly 2				
Description 2: LS1T				

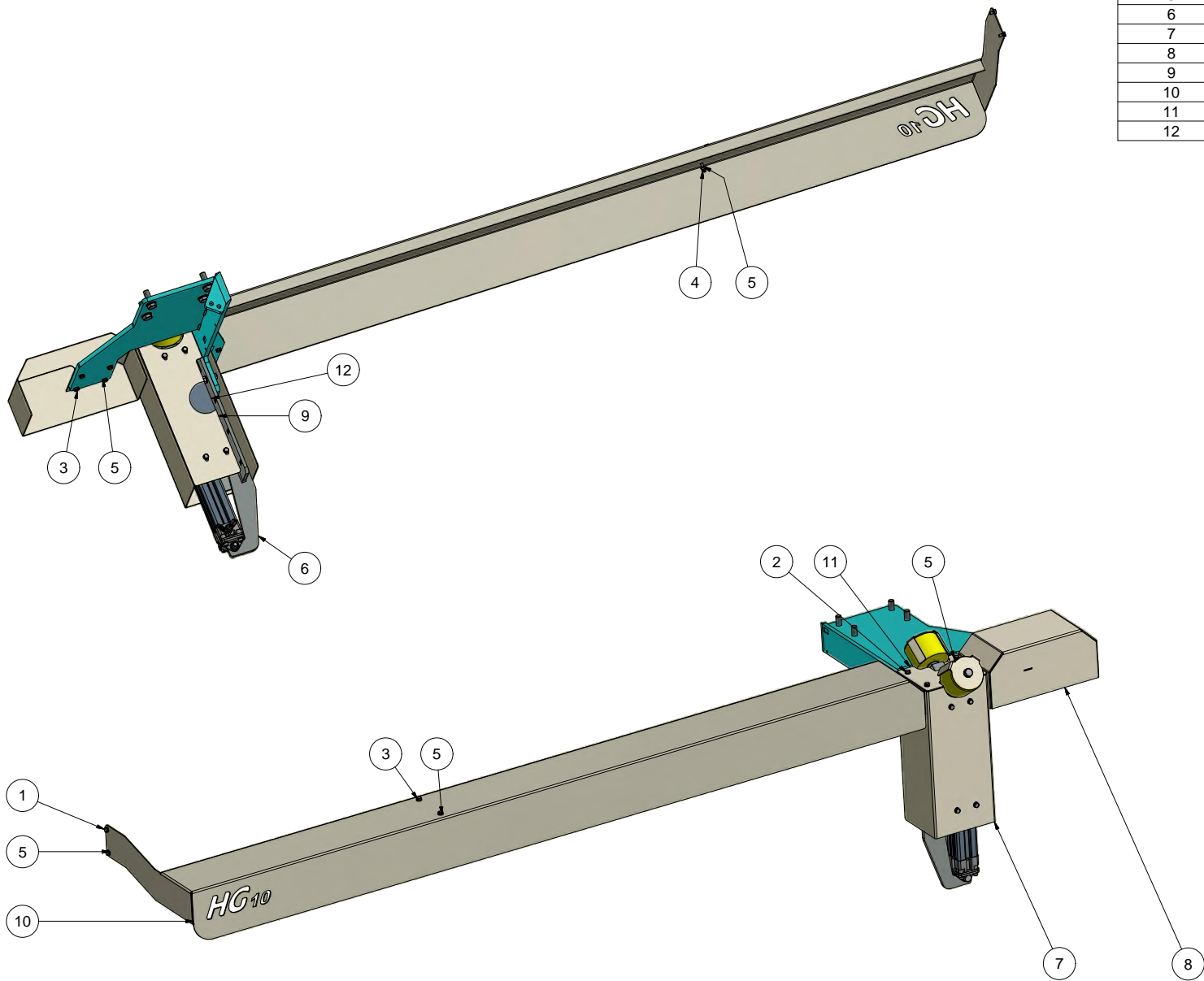


PARTS LIST			
ITEM	QTY	PART NUMBER	DESCRIPTION
1	8	10206020	Hexagon cylinder head M6x20 FZB
2	4	11410030	Hexagon bolt M10x30 FZB
3	2	17908000	Self-locking nut M8 FZB
4	5	17910000	Self-locking nut M10 FZB
5	2	20208020	Fitting bolt M8-10x20
6	1	210427	Lock nut M10x1,25 FZB
7	1	210428	Lock nut M12x1,25 FZB
8	1	212090	Cylinder PRA/182032/M/80
9	1	214115	F-Bracket QM/8025/25
10	1	214120	F-Bracket QM/8040/25
11	2	215105	Flow banjo control < 6 x 1/8"
12	1	215760	Elbow swirvel < 6 x 1/8"
13	1	216208	Regulator 1/8" 0,3-7 bar
14	1	216706	Reduction 1/4"t x 1/8"t (M/M)
15	1	216797	Filter sintered 1/4"
16	1	4811028	Washer SRKB < 11x28x2 FZB
17	8	82106000	Washer M6 FZB
18	10	82110000	Washer M10 FZB
19	1	M101786	Mount Base For Cylinder
20	1	M101798	Adjustment screw M10 x 50mm
21	1	M101802	Bushing for Adjustment Screw
22	1	M101833	Cylinder PRA/182040/M/100
23	1	M101895	Mount for Cylinder
24	1	M101989	Handle, adjustable 63 x M10 - 20mm (M)
25	1	M10670	Spacer Plate for Cylinder < 32
26	1	M10671	Spacer for Cylinder
27	1	M200185	Mounting Bracket Cyl < 32
28	1	M200186	Mounting for cylinder < 40

Breake all edges

This drawing is the property of HEDENSTED GRUPPEN AS. It is not to be copied, reproduced, disseminated or used for any third parties.		Scale: 1 : 2	Not specified tolerance according to: DS/ISO 2768-m	Sheet size: A3
	Part No.: M101878	Material:	Surface properties: No	Sheet: 1/1
	Description 1: Cylinder mount assembly 3			
	Description 2: Top1 + Top2			

Revision:	Approved	Date:	Revision Description
2	WA	13-01-2017	M6 x16 changed to M6 x 20

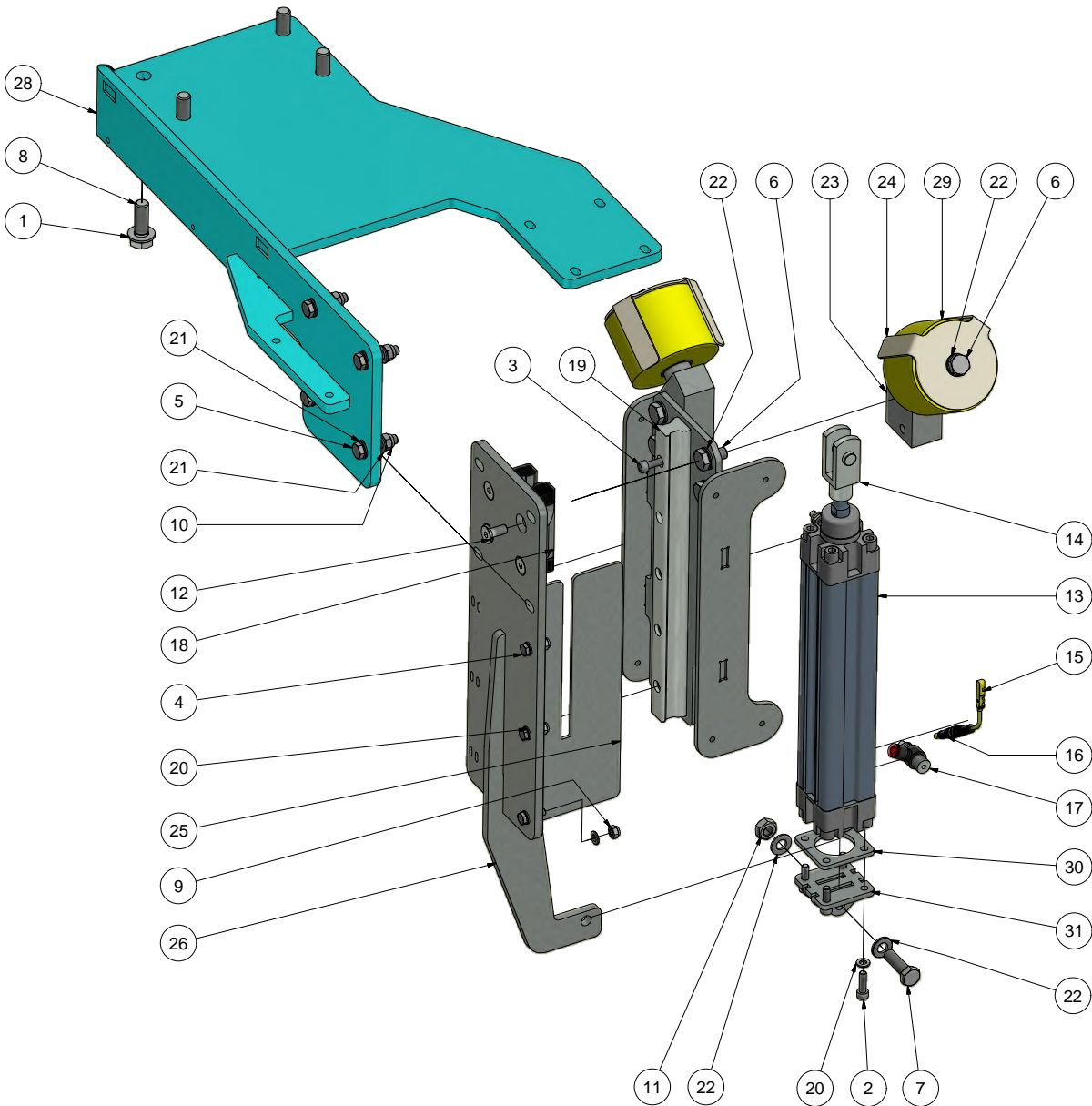


PARTS LIST			
ITEM	QTY	PART NUMBER	DESCRIPTION
1	2	11406010	Hexagon bolt M6x10 FZB
2	12	11406012	Hexagon bolt M6x12 FZB
3	8	11406025	Hexagon bolt M6x25 FZB
4	8	17906000	Self-locking nut M6 FZB
5	30	82106000	Washer M6 FZB
6	1	M101880	Support roll assembly HG10
7	1	M101881	Cover 2 for support roll
8	1	M101883	Cover 5 for support roll
9	1	M101884	Cover 3 for support roll
10	1	M101888	Cover 1 for support roll
11	1	M101889	Cover 4 for support roll
12	1	M102494	Rubber for cover of support roll

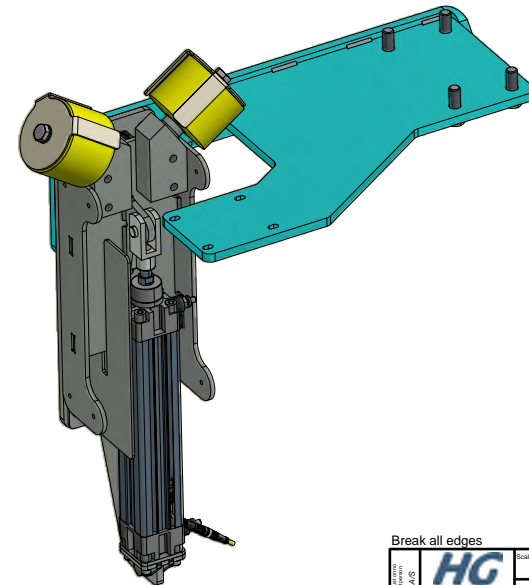
Break all edges

	Scale:	Not specified tolerance according to:	Sheet size:
	1:7	DS/ISO 2768-m	A2
	Surface properties:	No	Sheet:
			1 / 1
Part No.: M101891			
Description 1: Support roll, cover assembly			
Description 2: HG10			

Revision:	Approved	Date:	Revision Description
2	WA	16-01-2017	Rubber added

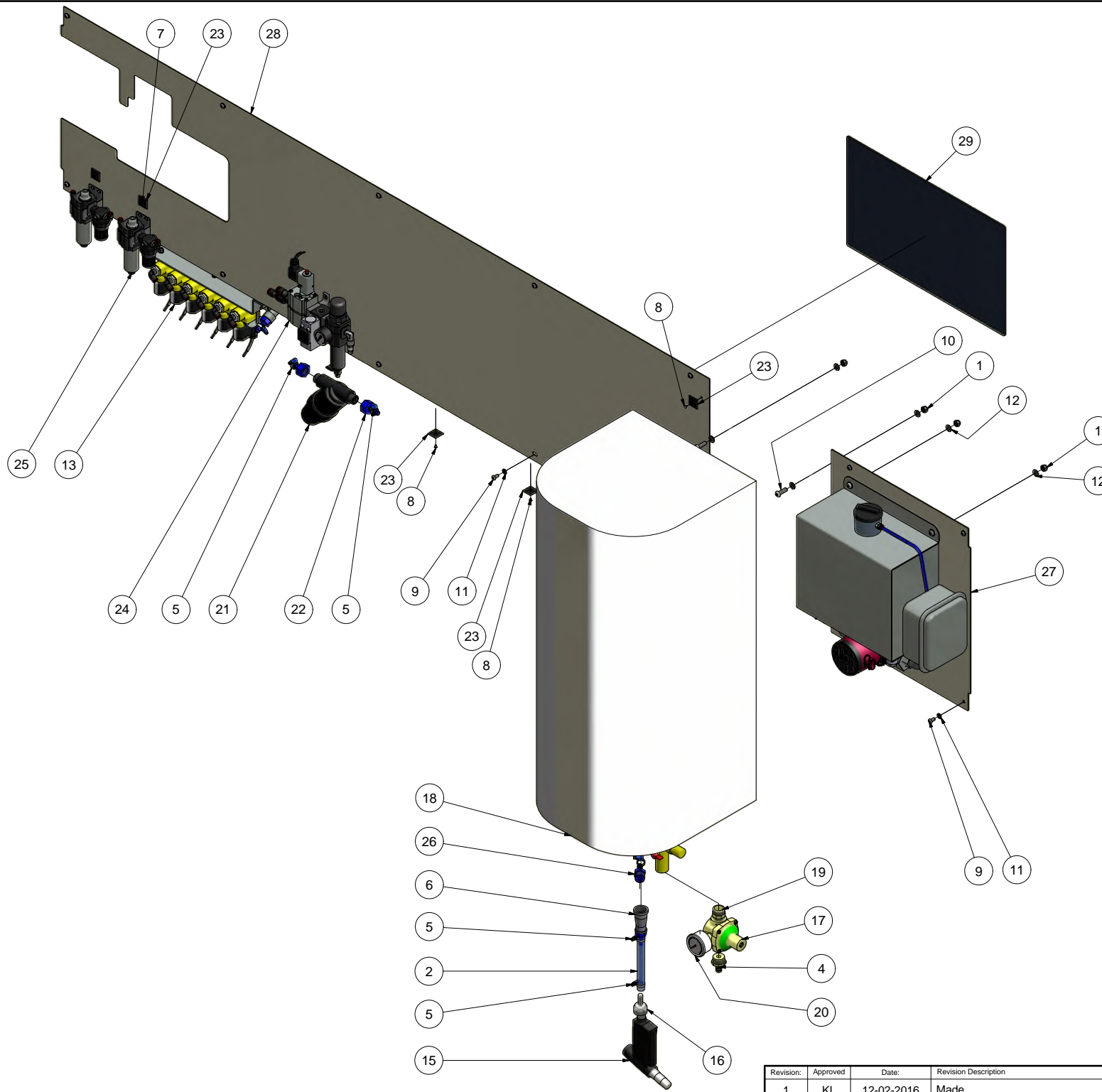


PARTS LIST			
ITEM	QTY	PART NUMBER	DESCRIPTION
1	4	82112000	Washer M12 FZB
2	4	10206020	Hexagon cylinder head M6x20 FZB
3	5	10206025	Hexagon cylinder head M6x25 FZB
4	3	11406020	Hexagon bolt M6x20 FZB
5	4	11408035	Hexagon bolt M8x35 FZB
6	6	11410020	Hexagon bolt M10x20 FZB
7	1	11410035	Hexagon bolt M10x35 FZB
8	4	11412035	Hexagon bolt M12x35 FZB
9	3	17906000	Self-locking nut M6 FZB
10	4	17908000	Self-locking nut M8 FZB
11	1	17910000	Self-locking nut M10 FZB
12	4	20408020	Hexagon countersunk head M8x20 FZB
13	1	212127	Cylinder PRA/182040/M/200
14	1	214120	F-Bracket QM/8040/25
15	1	214312	Reed inductive sensor (yellow)
16	1	214314	Cable w. plug M8 3P 3M
17	2	215992	Flow control Banjo < 6 x 1/4"
18	1	222300	Ball runner block s.25 wide
19	1	222305	Ball guide rail s.25/305mm
20	10	82106000	Washer M6 FZB
21	8	82108000	Washer M8 FZB
22	8	82110000	Washer M10 FZB
23	2	M101759	Base for roll
24	2	M101760	Cover 6 for support roll
25	1	M101882	Cover 7 for support roll
26	1	M101885	Bracket for guide rail
27	1	M101886	Movable bracket for guide rail
28	1	M101887	Beslag for cylinder-Assembly_HG10
29	2	M101890	Wheel < 82x64 - 20mm
30	1	M10671	Spacer for Cylinder
31	1	M200186	Mounting for cylinder < 40



Break all edges			
	Scale:	Not specified tolerance according to:	Sheet size:
	1 : 4	DS/ISO 2768-m	A2
	Surface properties:	No	Sheet:
			1 / 2
Part No.: M101880			
Description 1: Support roll assembly HG10			
Description 2:			

Revision:	Approved:	Date:	Revision Description:
1	KL	08-02-2016	Made

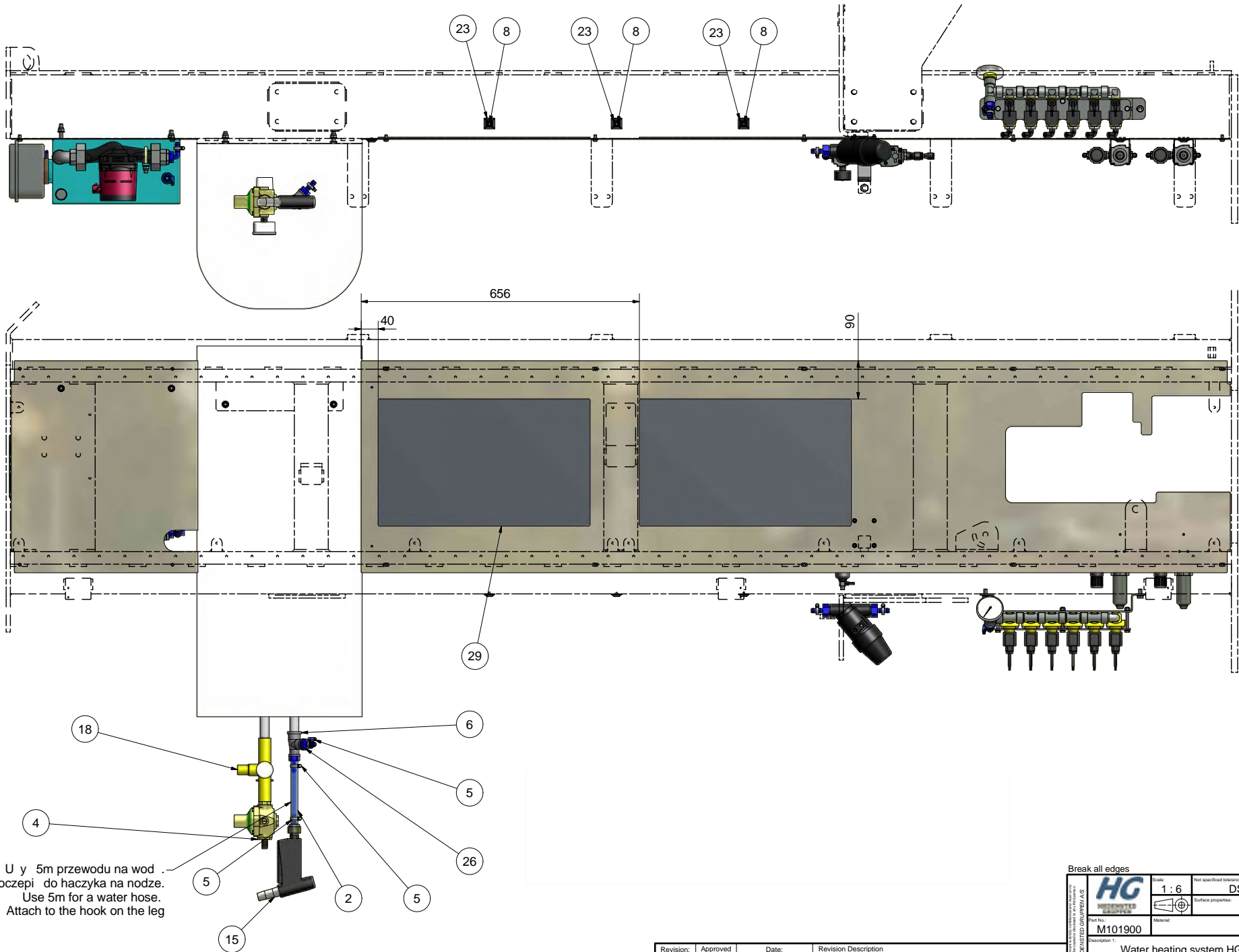


PARTS LIST			
ITEM	QTY	PART NUMBER	DESCRIPTION
1	4	17908000	Self-locking nut M8 FZB
2	9,0 m	216014	Hose < 3/8" PVC with reinforcement
4	1	423909	Hose nippel < 1/2 x 3/4" Brass
5	6	474006	Hose clamp 11-16
6	1	47410	Tee reduction.3/4"x1/2"x1/2"
7	2	7003208	Blind rivet < 3.2x8 (4-5,5)
8	5	7003209	Blind rivet < 3,2x9 (5-6,5)
9	14	76006012	Buttonhead bolt M6x12 FZB
10	2	76008025	Buttonhead bolt M8x25 FZB
11	14	82106000	Washer M6 FZB
12	6	82108000	Washer M8 FZB
13	1	M101899	Valve assembly HG10
14	1	M101903	Heat unit for HG10 beam
15	1	M200032	Handle for hose, 1/2" connetor
16	1	M200033	Connetor 1/2" - 3/8" hose
17	1	M200034	Pressure reducing valve 3/4"
18	1	M200035	Waterheater 60L 6kW
19	1	M200036	Brystnippel MS 3/4" x 3/4"
20	1	M200039	Pressure gauge 1-6 bar 1-4 BSP
21	1	M200980	Pressure filter water 1/2"
22	2	M201015	Hose nippel < 10 x female 1/2+ Nylon
23	7	M201165	Base for cable black 25x25mm
24	1	M201170	Pneumatic components
25	2	M201175	Pneumatic components
26	2	M201240	Hose nippel < 10 1/2+Nylon
27	1	M201460	Back cover
28	1	M201465	Back cover gear
29	2	M21272	Sound insulation-18

Break all edges

	Scale:	1 : 6	Not specified tolerance according to:	DS/ISO 2768-m	Sheet size:	A2
	Surface properties:	No	Material:		Sheet:	1 / 2
Part No.:	M101900					
Description 1:	Water heating system HG10					
Description 2:						

Revision	Approved	Date:	Revision Description
1	KL	12-02-2016	Made

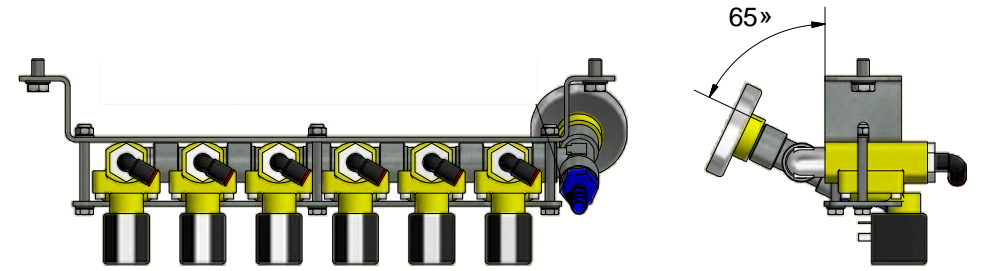
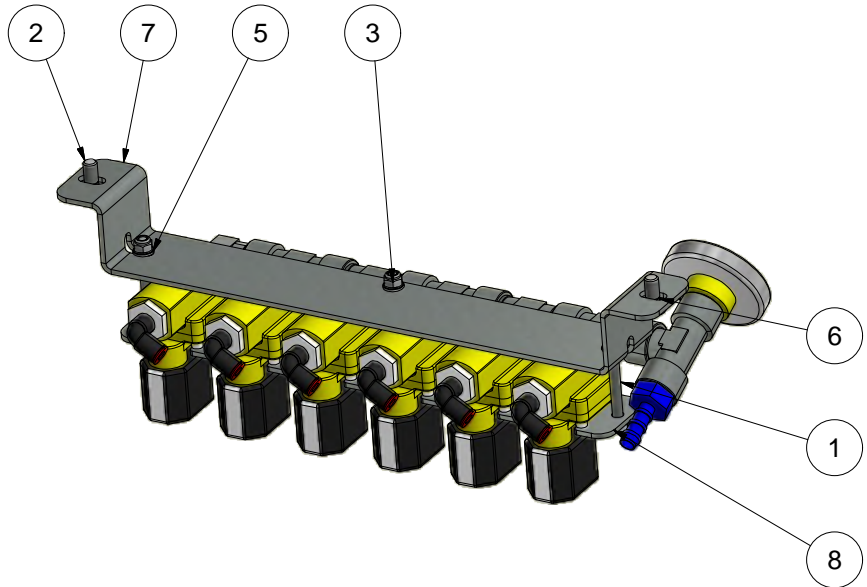
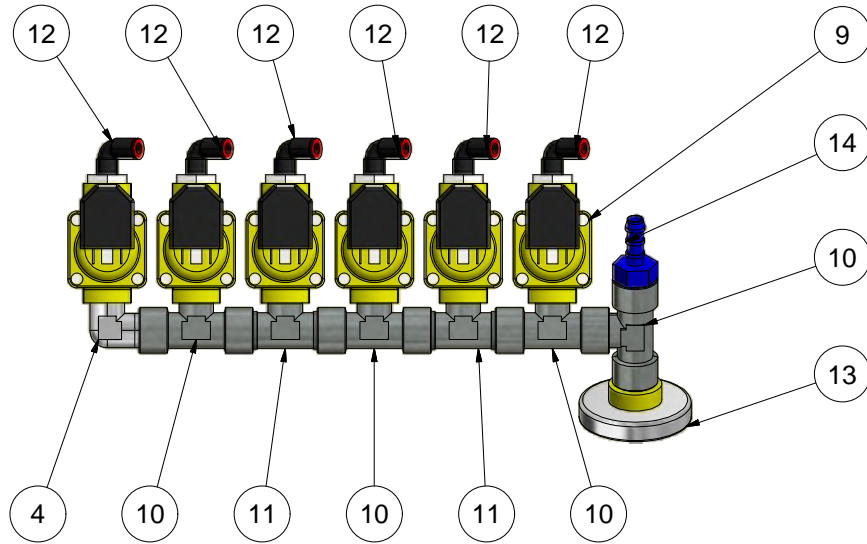


Użyj 5m przewodu na wodę.
 Doczepi do haczyka na nodze.
 Use 5m for a water hose.
 Attach to the hook on the leg

Revision	Approved	Date	Revision Description
1	KL	12-02-2016	Made

Break all edges

	Scale:	Not specified tolerance according to:	Sheet size:
	1 : 6	DS/ISO 2768-m	A2
Part No.:	Surface properties:	No	Sheet:
M101900	Material:		2 / 2
Description 1: Water heating system HG10			
Description 2:			



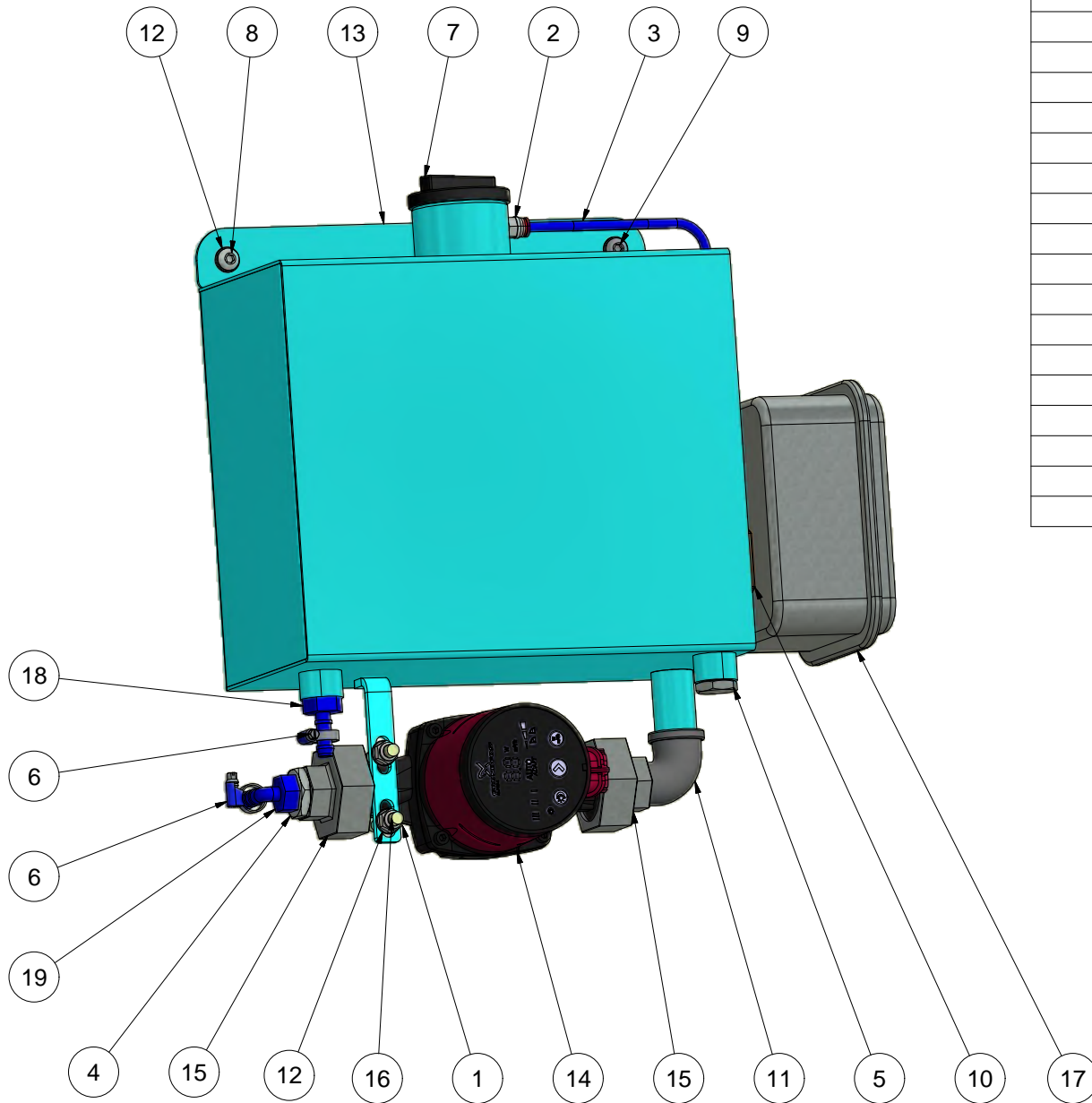
PARTS LIST

ITEM	QTY	PART NUMBER	DESCRIPTION
1	3	11406055	Hexagon bolt M6x55 FZB
2	2	11408016	Hexagon bolt M8x16 FZB
3	3	17906000	Self-locking nut M6 FZB
4	1	216580	Elbow 1/2"t x 1/2"t (M/M)
5	6	82106000	Washer M6 FZB
6	2	82108000	Washer M8 FZB
7	1	M101901	Bracket for valves, HG10
8	1	M101902	Plate for valves HG10
9	6	M200982	Valve 2/2 1/2" 24VDC
10	4	M201190	Tee 1/2+x 1/2-# x 1/2+(F/M/F)
11	2	M201195	Tee 1/2-# x 1/2-# x 1/2-# (M/M/M)
12	6	M201200	Elbow swivel < 6 x 1/2"t
13	1	M201220	Disc Thermometer
14	1	M201240	Hose nipple < 10 1/2+Nylon

Break all edges

The information on this drawing is the property of HEDENSTED GRUPPEN A/S. It is not to be copied, reproduced or disclosed to any third party.		Scale: 1 : 3,5	Not specified tolerance according to: DS/ISO 2768-m	Sheet size: A3
			Surface properties: No	Sheet: 1 / 2
	Part No.: M101899	Material:		
	Description 1: Valve assembly HG10			
Description 2:				

Revision:	Approved	Date:	Revision Description
2	WA	10-01-2017	Plugs removed

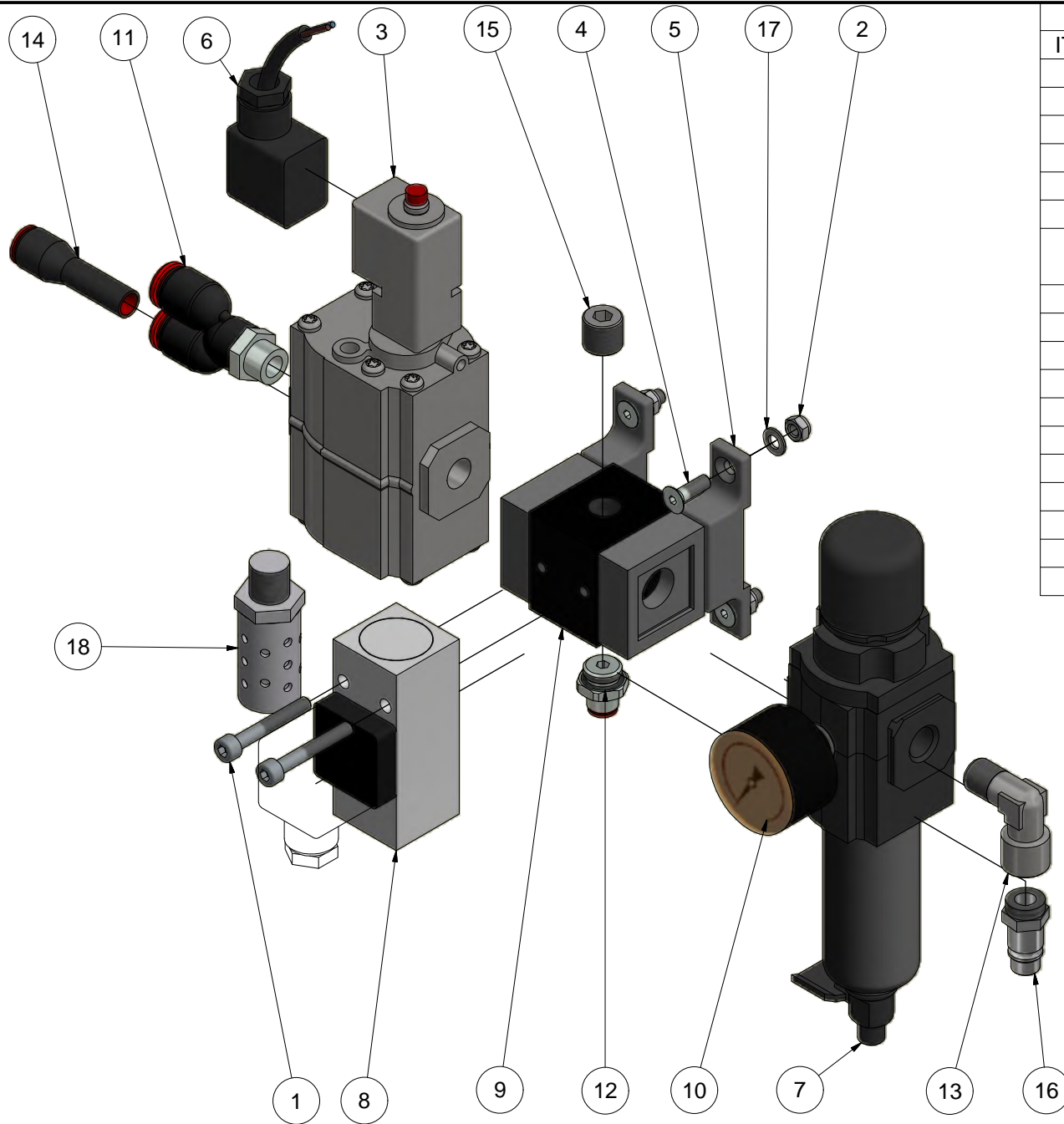


PARTS LIST			
ITEM	QTY	PART NUMBER	DESCRIPTION
1	2	17908000	Self-locking nut M8 FZB
2	1	215900	Straight connector < 6 x 1/8"t
3	0,4 m	216118	Air hose < 6mm PUR Blue
4	1	216737	Reduction 3/4" x 1/2" (M/F)
5	1	216741	Plug flange 1/2" w. gasket
6	2	474006	Hose clamp 11-16
7	1	479096	Tank cap- Reutter DT-40
8	1	76008025	Buttonhead bolt M8x25 FZB
9	1	76008040	Buttonhead Bolt M8x40 FZB
10	1	80038	Heating element 3KW
11	1	802130	Elbow 3/4" (M/F) Galvanized
12	4	82108000	Washer M8 FZB
13	1	M101898	Wather tank HG10
14	1	M101904	Pump for beam heating
15	2	M101905	Union kit 1 1/2" x 3/4"
16	1	M101906	U-Brace ø35 x M8 FZB
17	1	M200038	Box with thermostat
18	1	M201240	Hose nipple < 10 1/2+Nylon
19	1	M201245	Hose elbow < 10 x 1/2" Nylon

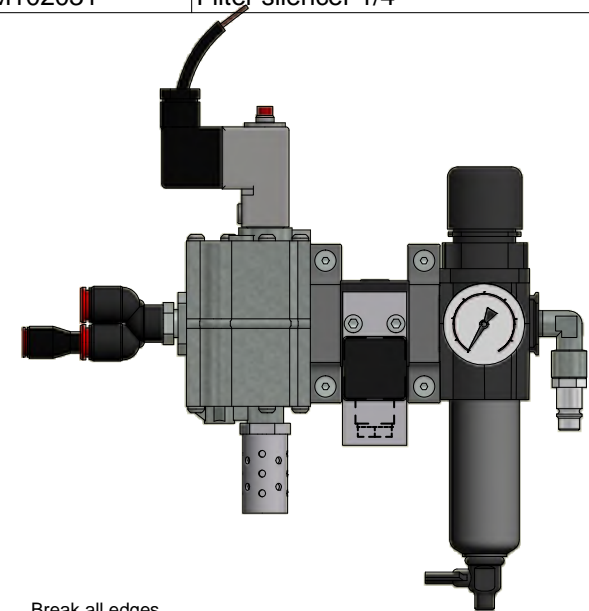
Break all edges

This drawing is the property of HEDENSTED GRUPPEN AS. It is not to be copied, reproduced, or disseminated to any third party.		Scale:	1 : 3	Not specified tolerance according to:	DS/ISO 2768-m	Sheet size:	A3		
				Surface properties:	No	Sheet:	1 / 2		
	Part No.:	M101903						Material:	
	Description 1:	Heat unit for HG10 beam						Description 2:	

Revision:	Approved	Date:	Revision Description
1	KL	11-02-2016	Made



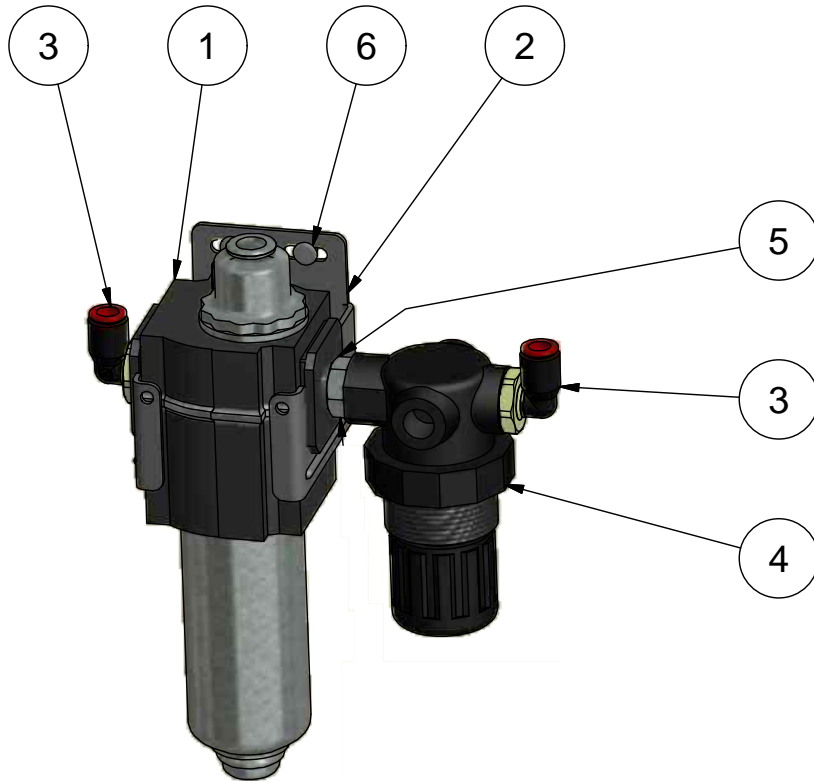
PARTS LIST			
ITEM	QTY	PART NUMBER	DESCRIPTION
1	2	10205035	Hexagon cylinder head M5x35 FZB
2	4	17905000	Self-locking nut M5 FZB
3	1	197322	Valve Soft starter 1/4" 24VDC
4	4	20405016	Hexagon countersunk head M5x16 FZB
5	2	210176	Wall bracket with clamp 72 series
6	1	215184	Cable w. elbow plug 22mm 3P 3M 250v
7	1	215420	Regulator with filter 1/4" 0,3-10 bar (Man. drain)
8	1	215430	Pressure switch electronic 24VDC
9	1	215432	Connection block for B72 serie
10	1	215550	Gauge 0-10 bar 1/8" < 40
11	1	215880	Y-connector 2x< 10 x 1/4"
12	1	215930	Straight connector < 6 x 1/4"
13	1	216358	Elbow 1/4"t x 1/4" (M/F)
14	1	216682	Reduction stem < 10 pipe x < 8
15	1	216743	Plug 1/4" inside hex
16	1	217051	Quick release coupling Plug 1/4" male
17	4	82105900	Washer M5 FZB
18	1	M102031	Filter silencer 1/4"



Break all edges

The information on this drawing is the property of HEDENSTED GRUPPEN A/S. It is not to be copied or disclosed to any third party.		Scale: 1 : 1,5	Not specified tolerance according to: DS/ISO 2768-m	Sheet size: A3
	Part No.: M201170	Material:	Surface properties: No	Sheet: 1/1
	Description 1: Pneumatic components			
	Description 2:			

Revision:	Approved	Date:	Revision Description
2	WA	25-01-2017	Filter added



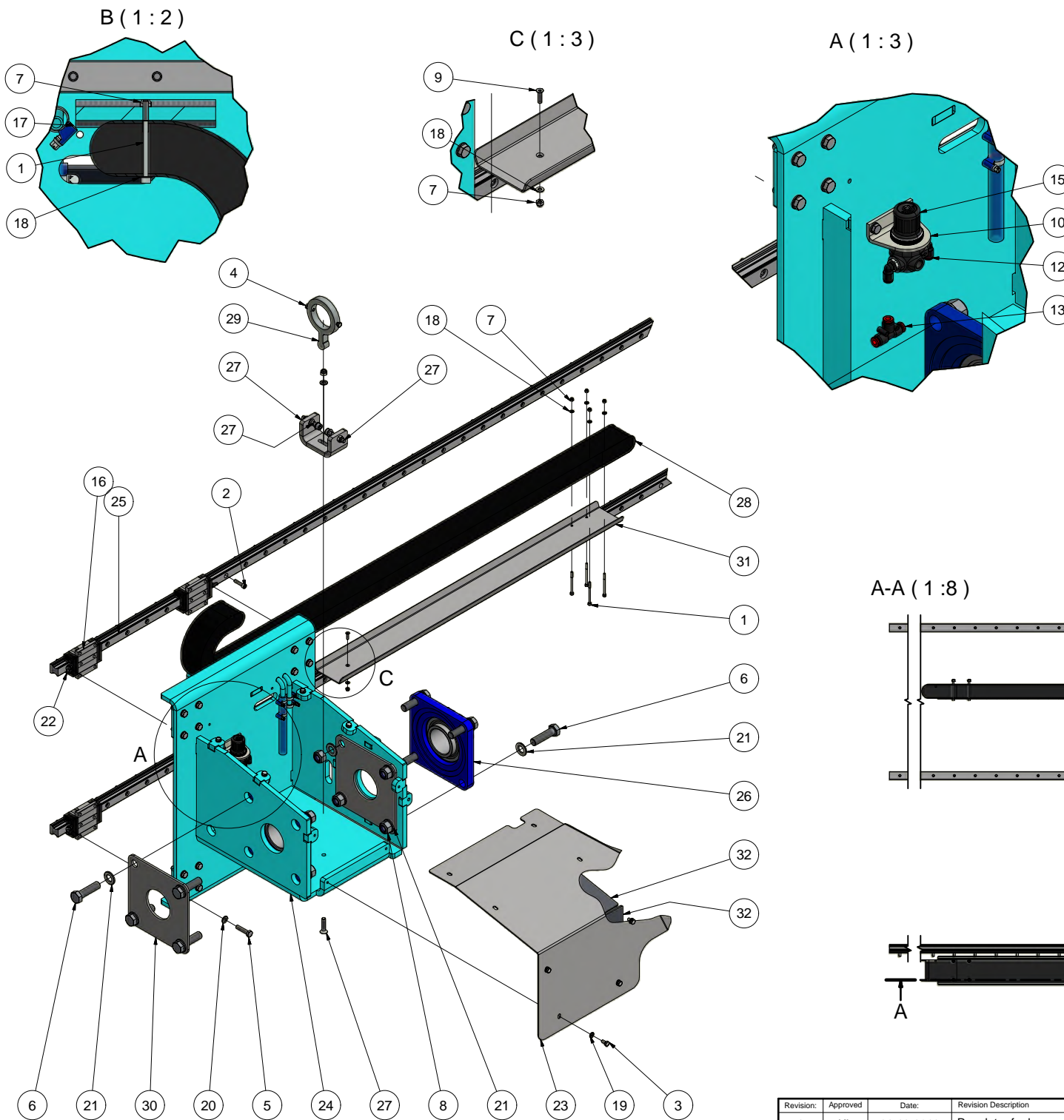
PARTS LIST

ITEM	QTY	PART NUMBER	DESCRIPTION
1	1	210185	Sight feed lubricator
2	1	214455	Bracket
3	2	215765	Elbow swirvel < 6 x 1/4"
4	1	216204	Regulator 1/4" 0-10bar
5	1	216710	Nipple adapter conical 1-4 x1-4
6	2	7003208	Pop rivet \varnothing 3.2x8mm

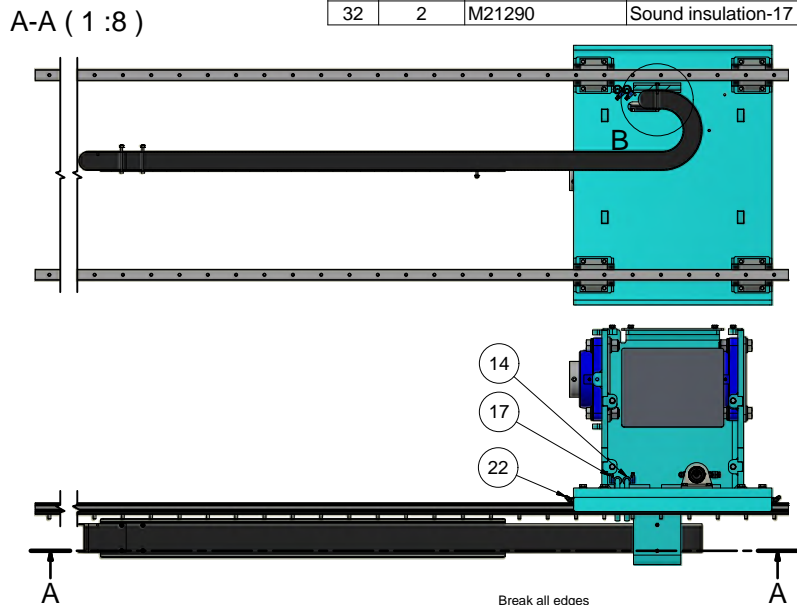
Break all edges

This document is strictly confidential and must on no account be copied or disclosed to any third person. HEDENSTED GRUPPEN A/S		Scale:	Not specified tolerance according to:	Sheet size:	
		1 : 2	DS/ISO 2768-m	A4	
	Part No.:		Surface properties:		Sheet:
			No		1 / 1
Part No.:		Material:			
M201175					
Description 1:					
Pneumatic components					
Description 2:					

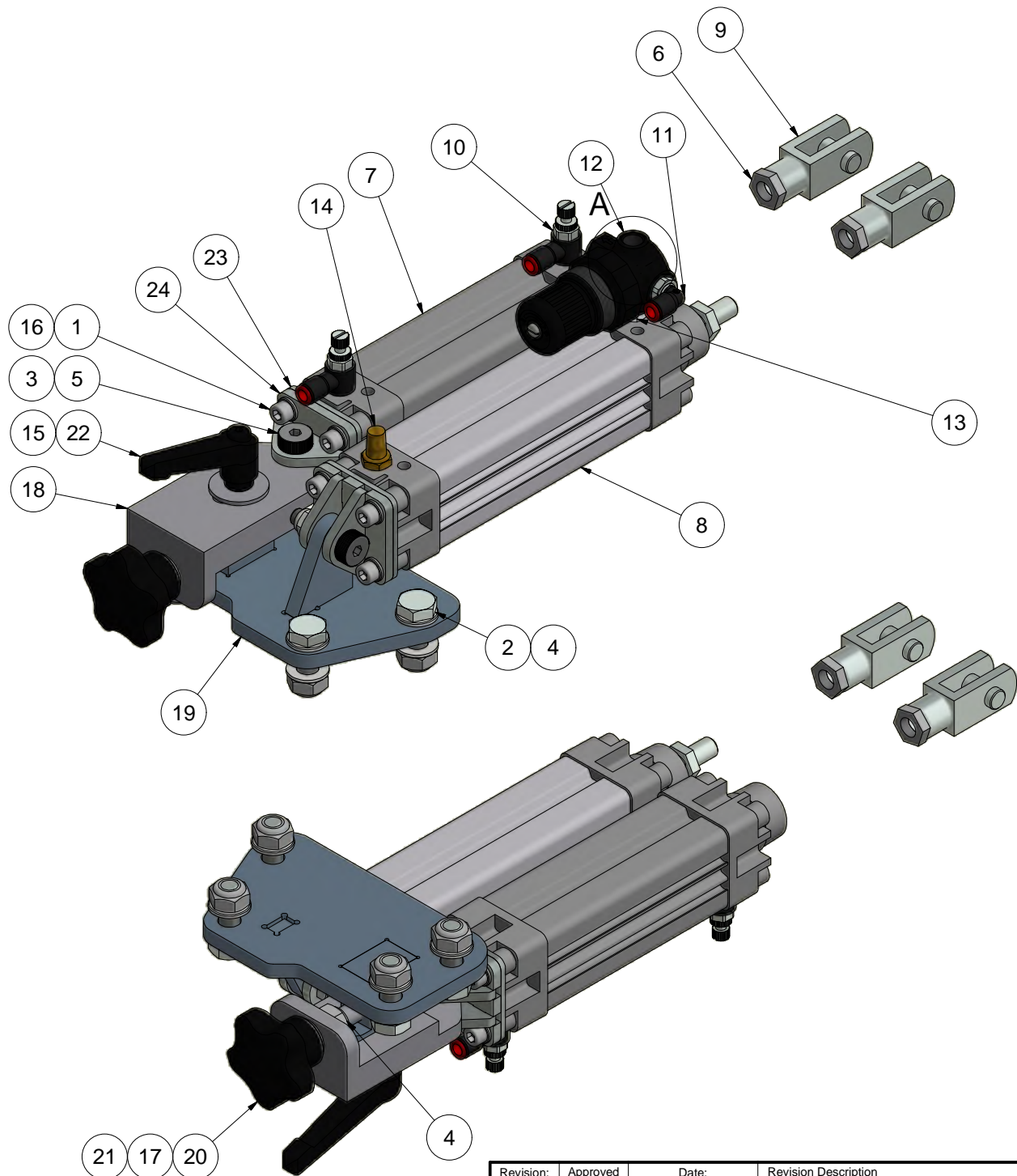
Revision:	Approved	Date:	Revision Description
1	HG	28-09-2015	Revision changed to numeric



PARTS LIST				
ITEM	QTY	PART NUMBER	DESCRIPTION	
1	6	10204055	Hexagon cylinder head M4x55 FZB	
2	94	10206025	Hexagon cylinder head M6x25 FZB	
3	10	11406012	Hexagon bolt M6x12 FZB	
4	2	11406016	Hexagon bolt M6x16 FZB	
5	16	11408035	Hexagon bolt M8x35 FZB	
6	8	11416060	Hexagon bolt M16x60 FZB	
7	7	17904000	Self-locking nut M4 FZB	
8	8	17916000	Self-locking nut M16 FZB	
9	1	20404016	Hexagon countersunk head M4x16 FZB	
10	1	214180	C-Bracket M/P71273/3	
11	1	215535	Nut, panel mount 2962-04	
12	2	215760	Elbow swivel < 6 x 1/8"	
13	1	215850	Tee < 6 x < 6 x < 6	
14	8,0 m	216014	Hose < 3/8" PVC with reinforcement	
15	1	216205	Regulator 1/8" 0,3-3,5 bar	
16	4	222300	Ball runner block s.25 wide	
17	6	474006	Hose clamp 11-16	
18	7	82104000	Washer M4 FZB	
19	10	82106000	Washer M6 FZB	
20	16	82108000	Washer M8 FZB	
21	16	82116000	Washer M16 FZB	
22	4	M100508	Grease nipple M6 45°	
23	1	M101909	Cover for beam console HG10	
24	1	M200010	Console for beam	
25	2	M200070	Guiderail str 25/ 2820 mm	
26	2	M200090	Y-Bearing flange < 60	
27	1	M200095	Centering bracket	
28	1,9 m	M200100	Energy chain Kolibri 40x62mm	
29	1	M20115	Ring for beam	
30	2	M20120	Plate for bearing	
31	1	M21125	Plate	
32	2	M21290	Sound insulation-17	

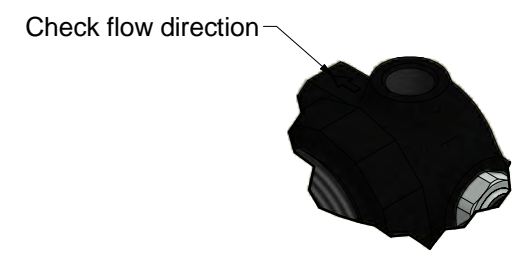


Revision: 2		Approved	Date: 21-12-2016	Revision Description: Regulator for beam added							
<table border="1"> <tr> <td rowspan="2"> </td> <td>Scale: 1:6</td> <td>Not specified tolerance according to: DS/ISO 2768-m</td> <td>Sheet size: A2</td> </tr> <tr> <td>Surface properties: No</td> <td>Material: M101908</td> <td>Sheet: 1/1</td> </tr> </table>						Scale: 1:6	Not specified tolerance according to: DS/ISO 2768-m	Sheet size: A2	Surface properties: No	Material: M101908	Sheet: 1/1
	Scale: 1:6	Not specified tolerance according to: DS/ISO 2768-m	Sheet size: A2								
	Surface properties: No	Material: M101908	Sheet: 1/1								
Description 1: Console and guides for beam, HG10 Description 2:											



PARTS LIST			
ITEM	QTY	PART NUMBER	DESCRIPTION
1	8	10206020	Hexagon cylinder head M6x20 FZB
2	4	11410030	Hexagon bolt M10x30 FZB
3	2	17908000	Self-locking nut M8 FZB
4	5	17910000	Self-locking nut M10 FZB
5	2	20208020	Fitting bolt M8-10x20
6	2	210427	Lock nut M10x1,25 FZB
7	1	212090	Cylinder PRA/182032/M/80
8	1	212092	Cylinder PRA/182032/M/100
9	2	214115	F-Bracket QM/8025/25
10	2	215105	Flow banjo control < 6 x 1/8"
11	1	215760	Elbow swivel < 6 x 1/8"
12	1	216208	Regulator 1/8" 0,3-7 bar
13	1	216721	Nipple 1/8"t x 1/8"t (M/M)
14	1	216796	Filter sintered 1/8+
15	1	4811028	Washer SRKB < 11x28x2 FZB
16	8	82106000	Washer M6 FZB
17	10	82110000	Washer M10 FZB
18	1	M101786	Mount Base For Cylinder
19	1	M101789	Mount for Cylinder
20	1	M101798	Adjustment screw M10 x 50mm
21	1	M101802	Bushing for Adjustment Screw
22	1	M101989	Handle, adjustable 63 x M10 - 20mm (M)
23	2	M10670	Spacer Plate for Cylinder < 32
24	2	M200185	Mounting Bracket Cyl < 32

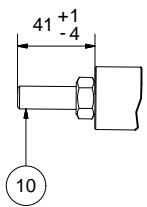
A (1 : 1)



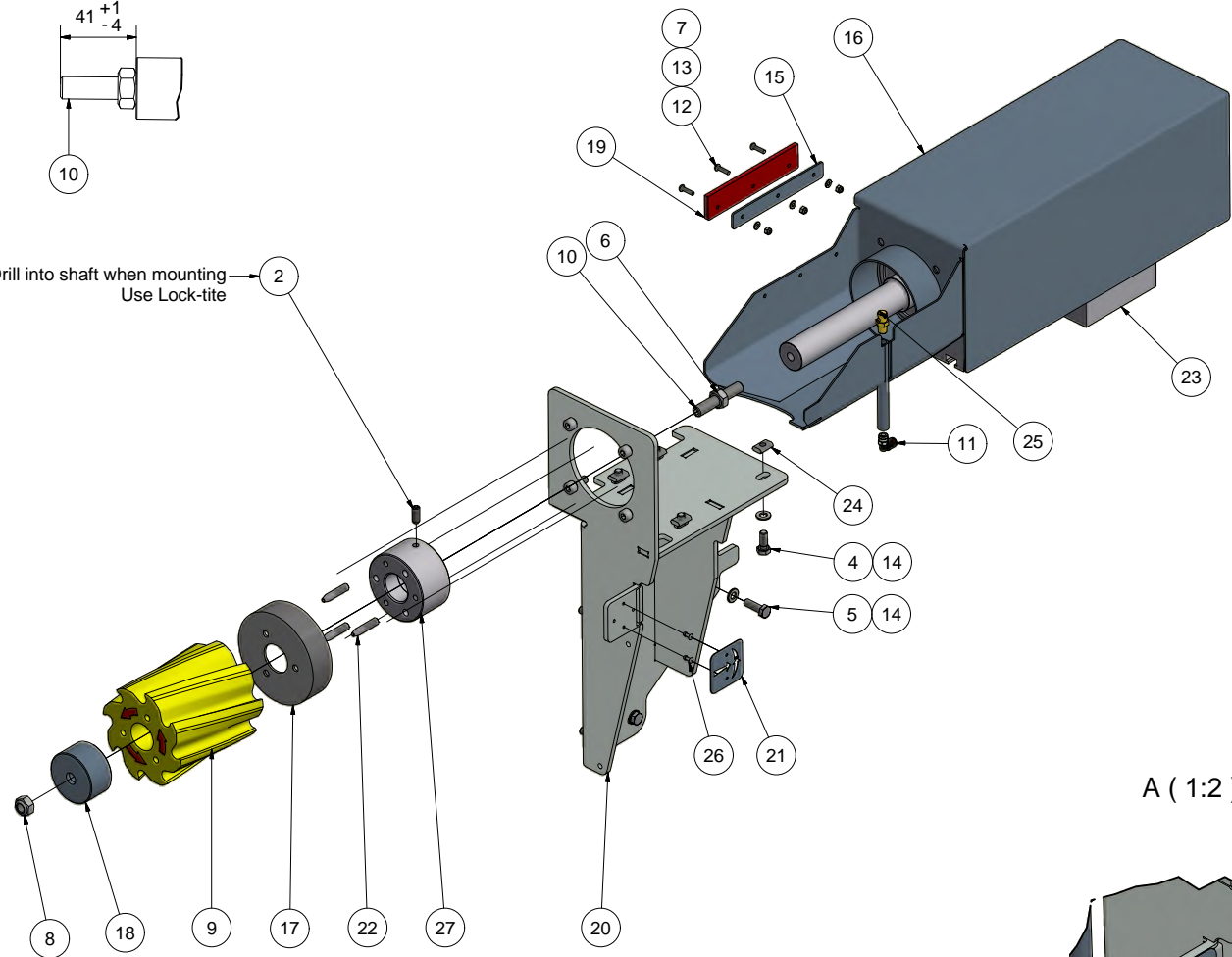
Break all edges

This drawing is the property of HEDENSTED GRUPPEN A/S. It is not to be copied, reproduced, or disseminated in any form without the prior written consent of HEDENSTED GRUPPEN A/S.		Scale: 1 : 2	Not specified tolerance according to: DS/ISO 2768-m	Sheet size: A3
	Part No.: M101923	Material:	Surface properties: No	Sheet: 1 / 1
	Description 1: Cylinder mount assembly 4			
	Description 2: LS2T			

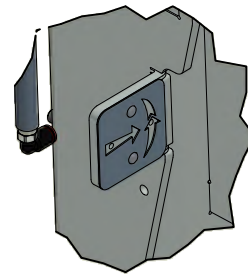
Revision:	Approved	Date:	Revision Description
2	WA	13-01-2017	M6 x16 changed to M6 x20



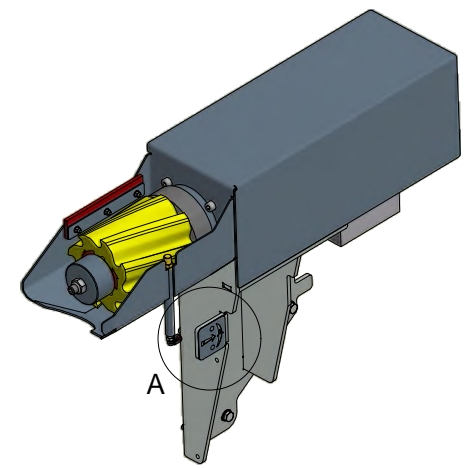
Drill into shaft when mounting
Use Lock-tite



A (1:2)

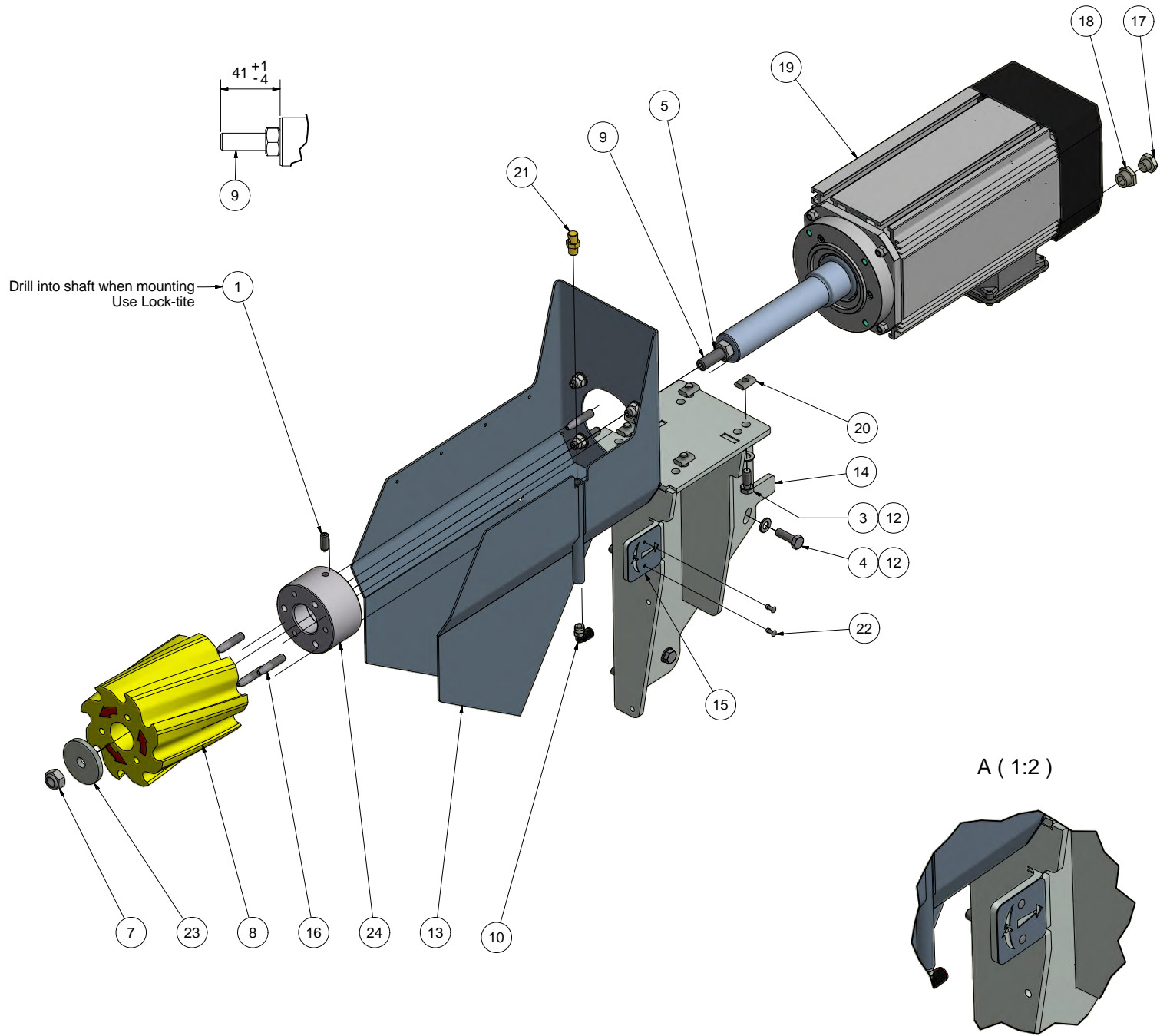


		PARTS LIST	
ITEM	QTY	PART NUMBER	DESCRIPTION
1	4	10208020	Hexagon cylinder head M8x20FZB
2	1	10508020	Stop screw M8x20-B
3	2	11408016	Hexagon bolt M8x16 FZB
4	4	11408020	Hexagon bolt M8x20 FZB
5	4	11408025	Hexagon bolt M8x25 FZB
6	1	1512000	Nut M12 FZB
7	3	17904000	Self-locking nut M4 FZB
8	1	17912000	Self-locking nut M12 FZB
9	1	195227	Scrape roll, Twisted CW, 8T, Yellow SH86
10	1	20912070	Stop screw M12x70-F
11	1	215730	Elbow swirvel <6 x 1/8"t
12	3	76004016	Bottomhead bolt M4x16 FZB.ipt
13	3	82104000	Washer M4 FZB
14	10	82108000	Washer M8 FZB
15	1	M101797	Lip Clamp
16	1	M101807	Cover for Scraping RS Top 1
17	1	M101817	Motor End Cover
18	1	M101826	Shaft Top Cap
19	1	M101827	Rubber scraper 143mm
20	1	M101829	Motor Console
21	1	M101972	Sign, skin down + CW / CCW
22	3	M101975	Pin for Roll
23	1	M200280	Motor for roll. box on left
24	4	M200287	Key 10-M8 for squar motor
25	1	M200984	Nozzle, angle flat jet 1/8" 780
26	2	M201095	Blind rivet < 3,2x10 (5-7)
27	1	M201320	Spacer for motor



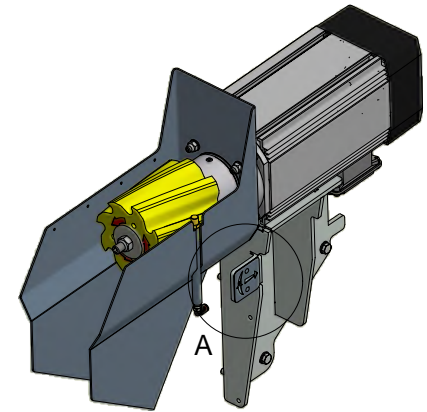
Break all edges			
	Scale:	Not specified tolerance according to:	Sheet size:
	1:4	DS/ISO 2768-m	A2
	Surface properties:	No	Sheet:
			1 / 1
Part No.: M101924			
Description 1: Motor Ass. RS Top 1			
Description 2:			

Revision:	Approved	Date:	Revision Description
2	WA	25-01-2017	Bolts changed



PARTS LIST			
ITEM	QTY	PART NUMBER	DESCRIPTION
1	1	10508020	Stop screw M8x20-B
2	2	11408016	Hexagon bolt M8x16 FZB
3	4	11408020	Hexagon bolt M8x20 FZB
4	4	11408025	Hexagon bolt M8x25 FZB
5	1	1512000	Nut M12 FZB
6	4	17908000	Self-locking nut M8 FZB
7	1	17912000	Self-locking nut M12 FZB
8	1	195227	Scrape roll, Twisted CW, 8T, Yellow SH86
9	1	20912070	Stop screw M12x70-F
10	1	215730	Elbow swirvel < 6 x 1/8"t
11	4	21608040	Stop screw M8x40-F
12	14	82108000	Washer M8 FZB
13	1	M101810	Cover for Scraping Roll LS bottom 1
14	1	M101830	Motor Console Left
15	1	M101973	Sign, skin up + CW / CCW
16	4	M101975	Pin for Roll
17	1	M102043	Pressure compensation element
18	1	M102044	Reduction Polyamid M16-M12
19	1	M200276	Motor for roll, HG10. 1.85kW 4P E63L
20	4	M200287	Key 10-M8 for squar motor
21	1	M200984	Nozzle, angle flat jet 1/8" 780
22	2	M201095	Blind rivet < 3,2x10 (5-7)
23	1	M201315	Washer for motor
24	1	M201320	Spacer for motor

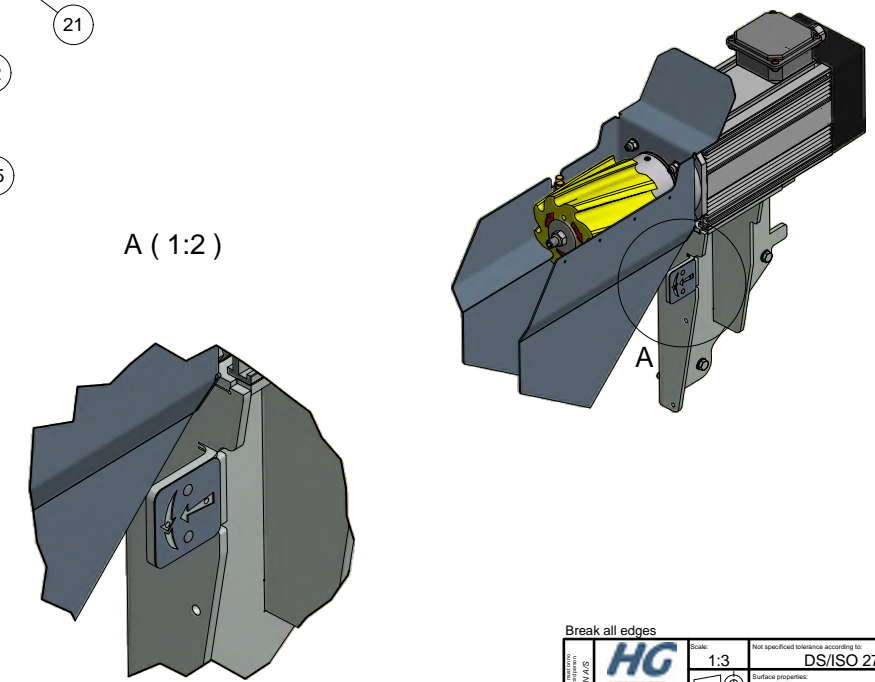
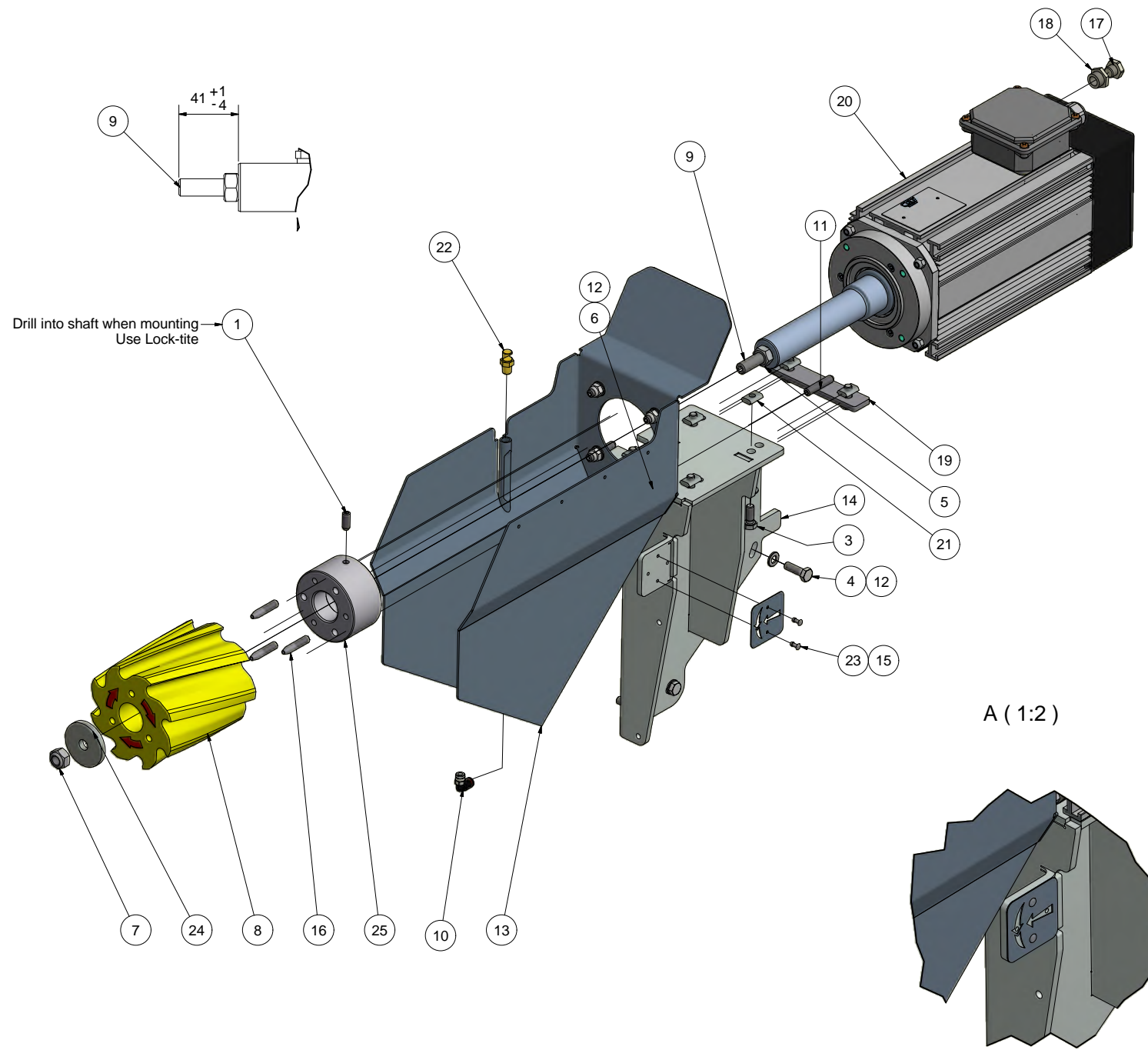
A (1:2)



Break all edges			
	Scale:	Not specified tolerance according to:	Sheet size:
	1:3	DS/ISO 2768-m	A2
	Surface properties:	No	Sheet:
Material:			1 / 1
Part No: M101925			
Description 1: Motor Ass. LS Bottom 1			
Description 2:			

Revision:	Approved	Date:	Revision Description
2	WA	24-01-2017	Pinbolt changed to 70 mm

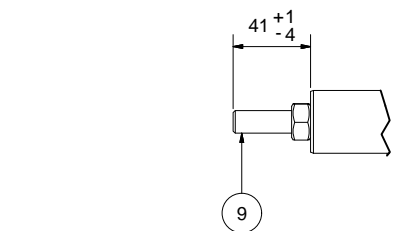
PARTS LIST				
ITEM	QTY	PART NUMBER	DESCRIPTION	
1	1	10508020	Stop screw M8x20-B	
2	2	11408016	Hexagon bolt M8x16 FZB	
3	6	11408020	Hexagon bolt M8x20 FZB	
4	4	11408025	Hexagon bolt M8x25 FZB	
5	1	1512000	Nut M12 FZB	
6	4	17908000	Self-locking nut M8 FZB	
7	1	17912000	Self-locking nut M12 FZB	
8	1	195227	Scrape roll, Twisted CW, 8T, Yellow SH86	
9	1	20912070	Stop screw M12x70-F	
10	1	215730	Elbow swivel < 6 x 1/8"t	
11	4	21608040	Stop screw M8x40-F	
12	16	82108000	Washer M8 FZB	
13	1	M101809	Cover for Scraping RS Bottom	
14	1	M101830	Motor Console Left	
15	1	M101972	Sign, skin down + CW / CCW	
16	3	M101975	Pin for Roll	
17	1	M102043	Pressure compensation element	
18	1	M102044	Reduction Polyamid M16-M12	
19	1	M102508	Stop plate for 1,85 kW motor	
20	1	M200276	Motor for roll, HG10. 1.85kW 4P E63L	
21	7	M200287	Key 10-M8 for squar motor	
22	1	M200984	Nozzle, angle flat jet 1/8" 780	
23	2	M201095	Blind rivet < 3,2x10 (5-7)	
24	1	M201315	Washer for motor	
25	1	M201320	Spacer for motor	



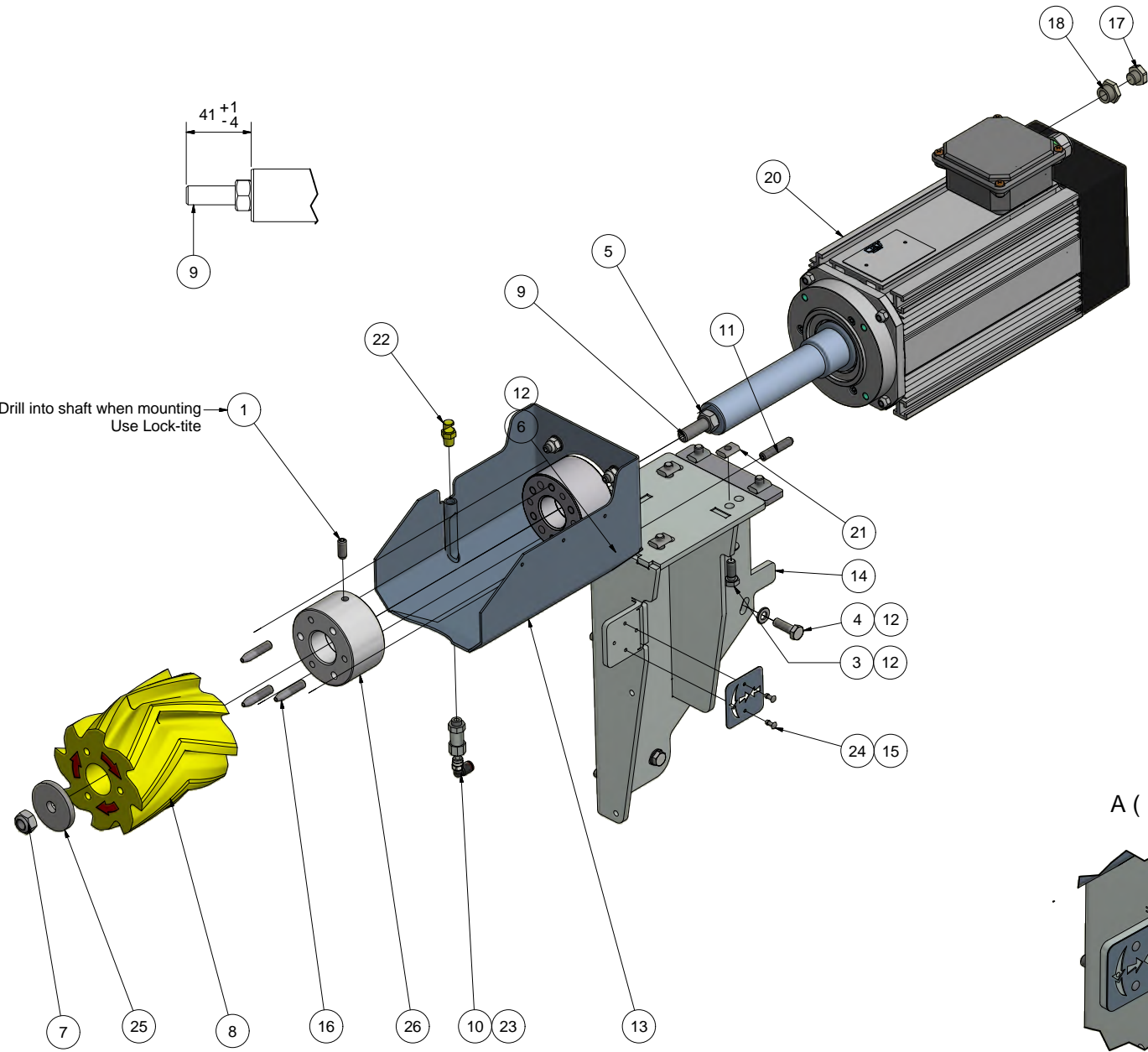
Revision:	Approved	Date:	Revision Description
2	WA	23-01-2017	Pinbolt changed to 70 mm

Break all edges

	Scale:	Not specified tolerance according to:	Sheet size:
	1:3	DS/ISO 2768-m	A2
	Surface properties:	No	Sheet:
			1 / 1
Part No.: M101926			
Description 1: Motor Ass. RS Bottom 1			
Description 2:			

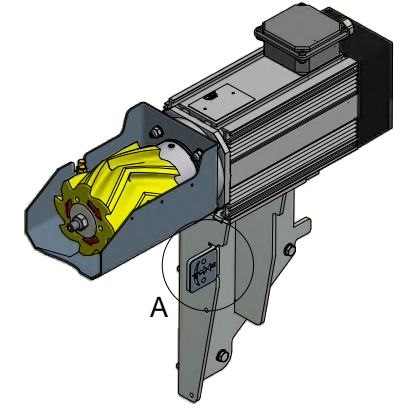
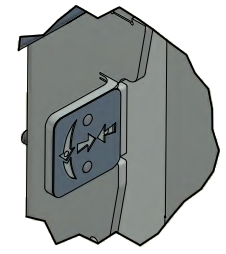


Drill into shaft when mounting
Use Lock-tite



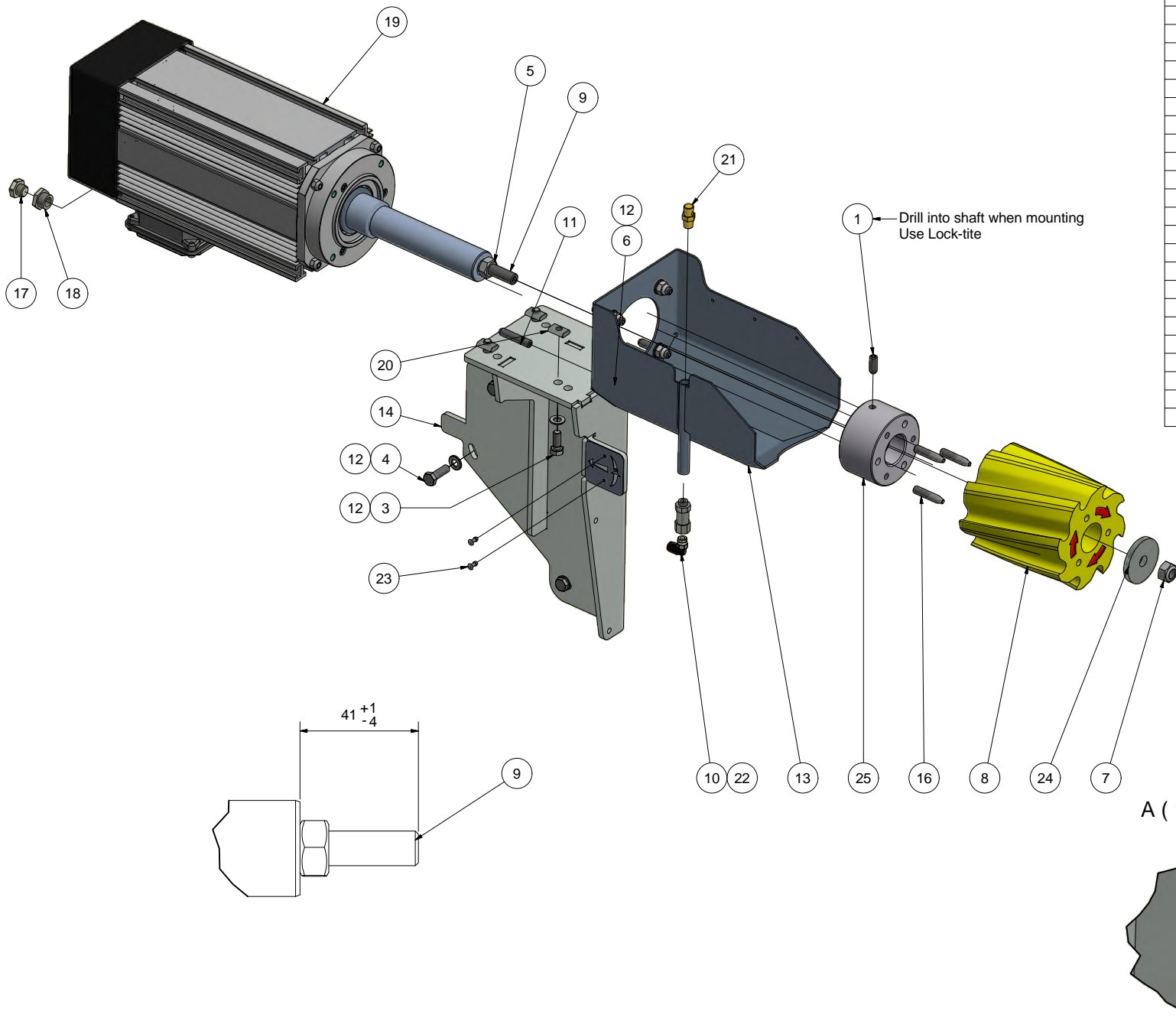
PARTS LIST			
ITEM	QTY	PART NUMBER	DESCRIPTION
1	1	10508020	Stop screw M8x20-B
2	2	11408016	Hexagon bolt M8x16 FZB
3	6	11408020	Hexagon bolt M8x20 FZB
4	4	11408025	Hexagon bolt M8x25 FZB
5	1	1512000	Nut M12 FZB
6	4	17908000	Self-locking nut M8 FZB
7	1	17912000	Self-locking nut M12 FZB
8	1	195226	Scrape roll, V-shape, 8T, Yellow SH 86
9	1	20912070	Stop screw M12x70-F
10	1	215730	Elbow swirvel < 6 x 1/8"t
11	4	21608040	Stop screw M8x40-F
12	16	82108000	Washer M8 FZB
13	1	M101808	Cover for Scraping Top1/RS Top 2
14	1	M101830	Motor Console Left
15	1	M101974	Sign, skin together + CW / CCW
16	3	M101975	Pin for Roll
17	1	M102043	Pressure compensation element
18	1	M102044	Reduction Polyamid M16-M12
19	1	M102508	Stop plate for 1,85 kW motor
20	1	M200276	Motor for roll, HG10. 1,85kW 4P E63L
21	6	M200287	Key 10-M8 for squar motor
22	1	M200984	Nozzle, angle flat jet 1/8" 780
23	1	M200987	Valve No-return 1/8" x 1/8" (M/F)
24	2	M201095	Blind rivet < 3,2x10 (5-7)
25	1	M201315	Washer for motor
26	4	M201320	Spacer for motor

A (1:2)

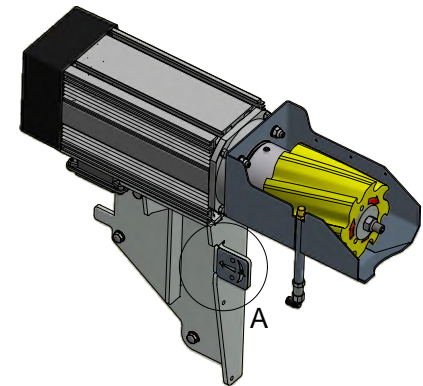


Break all edges			
	Scale:	Not specified tolerance according to:	Sheet size:
	1:3	DS/ISO 2768-m	A2
	Surface properties:	No	Sheet:
			1 / 1
Part No.: M101927			
Description 1: Motor Ass. Top 1			
Description 2:			

Revision:	Approved	Date:	Revision Description
2	WA	24-01-2017	Pinbolt changed to 70 mm

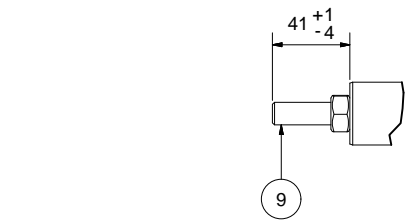


		PARTS LIST	
ITEM	QTY	PART NUMBER	DESCRIPTION
1	1	10508020	Stop screw M8x20-B
2	2	11408016	Hexagon bolt M8x16 FZB
3	4	11408020	Hexagon bolt M8x20 FZB
4	4	11408025	Hexagon bolt M8x25 FZB
5	1	1512000	Nut M12 FZB
6	4	17908000	Self-locking nut M8 FZB
7	1	17912000	Self-locking nut M12 FZB
8	1	195228	Scrape roll, Twisted CCW, 8T, Yellow SH86
9	1	20912070	Stop screw M12x70-F
10	1	215730	Elbow swivel < 6 x 1/8"t
11	4	21608040	Stop screw M8x40-F
12	14	82108000	Washer M8 FZB
13	1	M101808	Cover for Scraping Top1/RS Top 2
14	1	M101831	Motor Console Right
15	1	M101973	Sign, skin up + CW / CCW
16	3	M101975	Pin for Roll
17	1	M102043	Pressure compensation element
18	1	M102044	Reduction Polyamid M16-M12
19	1	M200276	Motor for roll, HG10. 1,85kW 4P E63L
20	4	M200287	Key 10-M8 for squar motor
21	1	M200984	Nozzle, angle flat jet 1/8" 780
22	1	M200987	Valve No-return 1/8" x 1/8" (M/F)
23	2	M201095	Blind rivet < 3,2x10 (5-7)
24	1	M201315	Washer for motor
25	1	M201320	Spacer for motor

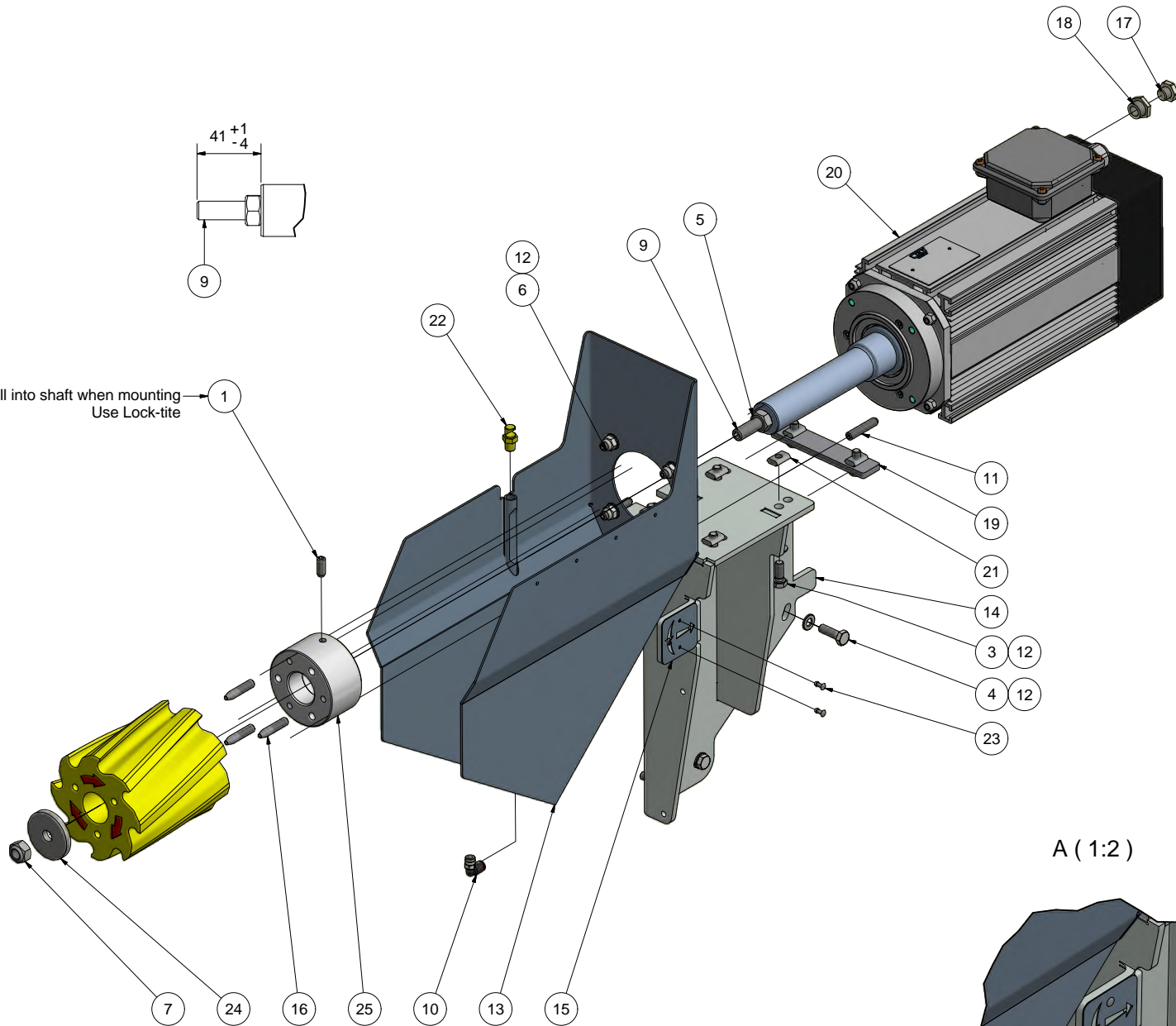


Break all edges			
	Scale:	Not specified tolerance according to:	Sheet size:
	1:3	DS/ISO 2768-m	A2
	Surface properties:	No	Sheet:
			1 / 1
Part No.: M101928			
Description 1: Motor Ass. RS Top 2			
Description 2:			

Revision:	Approved	Date:	Revision Description
2	WA	24-01-2017	Pinbolt changed to 70 mm

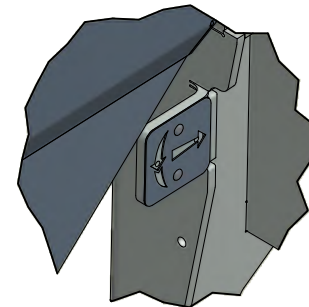
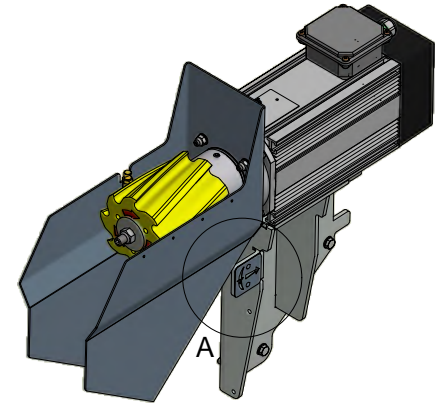


Drill into shaft when mounting
Use Lock-tite



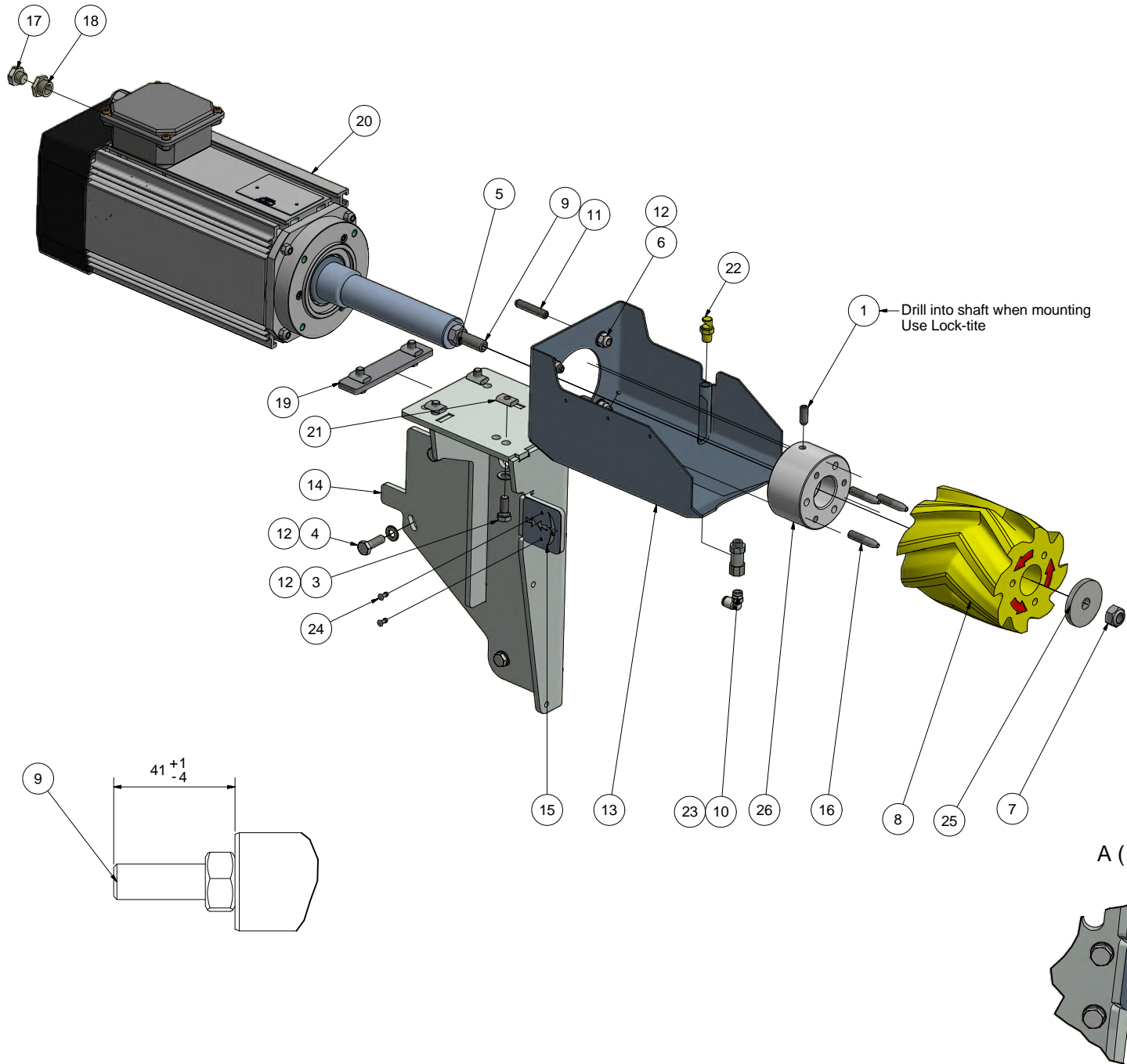
PARTS LIST				
ITEM	QTY	PART NUMBER	DESCRIPTION	
1	1	10508020	Stop screw M8x20-B	
2	2	11408016	Hexagon bolt M8x16 FZB	
3	6	11408020	Hexagon bolt M8x20 FZB	
4	4	11408025	Hexagon bolt M8x25 FZB	
5	1	1512000	Nut M12 FZB	
6	4	17908000	Self-locking nut M8 FZB	
7	1	17912000	Self-locking nut M12 FZB	
8	1	195228	Scrape roll, Twisted CCW, 8T, Yellow SH86	
9	1	20912070	Stop screw M12x70-F	
10	1	215730	Elbow swivel < 6 x 1/8"t	
11	4	21608040	Stop screw M8x40-F	
12	16	82108000	Washer M8 FZB	
13	1	M101812	Cover for Scraping RS Bottom 2	
14	1	M101830	Motor Console Left	
15	1	M101973	Sign, skin up + CW / CCW	
16	3	M101975	Pin for Roll	
17	1	M102043	Pressure compensation element	
18	1	M102044	Reduction Polyamid M16-M12	
19	1	M102508	Stop plate for 1,85 kW motor	
20	1	M200276	Motor for roll, HG10. 1,85kW 4P E63L	
21	6	M200287	Key 10-M8 for squar motor	
22	1	M200984	Nozzle, angle flat jet 1/8" 780	
23	2	M201095	Blind rivet < 3,2x10 (5-7)	
24	1	M201315	Washer for motor	
25	1	M201320	Spacer for motor	

A (1:2)

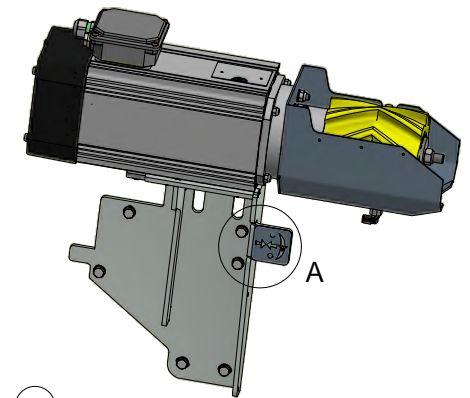


Break all edges			
	Scale:	Not specified tolerance according to:	Sheet size:
	1:3	DS/ISO 2768-m	A2
	Surface properties:	No	Sheet:
			1 / 1
Part No.: M101929			
Description 1: Motor Ass. RS Bottom 2			
Description 2:			

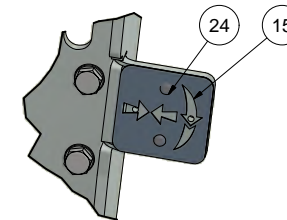
Revision:	Approved	Date:	Revision Description
2	WA	24-01-2017	Pinbolt changed to 70 mm



PARTS LIST			
ITEM	QTY	PART NUMBER	DESCRIPTION
1	1	10508020	Stop screw M8x20-B
2	2	11408016	Hexagon bolt M8x16 FZB
3	6	11408020	Hexagon bolt M8x20 FZB
4	4	11408025	Hexagon bolt M8x25 FZB
5	1	1512000	Nut M12 FZB
6	4	17908000	Self-locking nut M8 FZB
7	1	17912000	Self-locking nut M12 FZB
8	1	195226	Scrape roll, V-shape, 8T, Yellow SH 86
9	1	20912070	Stop screw M12x70-F
10	1	215730	Elbow swivel < 6 x 1/8"t
11	4	21608040	Stop screw M8x40-F
12	16	82108000	Washer M8 FZB
13	1	M101811	Cover for Scraping Roll Top 2
14	1	M101831	Motor Console Right
15	1	M101974	Sign, skin together + CW / CCW
16	3	M101975	Pin for Roll
17	1	M102043	Pressure compensation element
18	1	M102044	Reduction Polyamid M16-M12
19	1	M102508	Stop plate for 1,85 kW motor
20	1	M200276	Motor for roll, HG10. 1,85kW 4P E63L
21	6	M200287	Key 10-M8 for squar motor
22	1	M200984	Nozzle, angle flat jet 1/8" 780
23	1	M200987	Valve No-return 1/8" x 1/8" (M/F)
24	2	M201095	Blind rivet < 3,2x10 (5-7)
25	1	M201315	Washer for motor
26	1	M201320	Spacer for motor

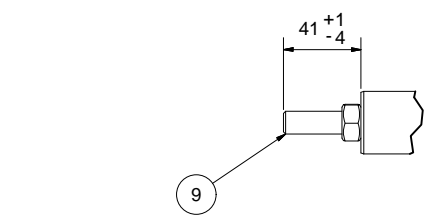


A (1:2)

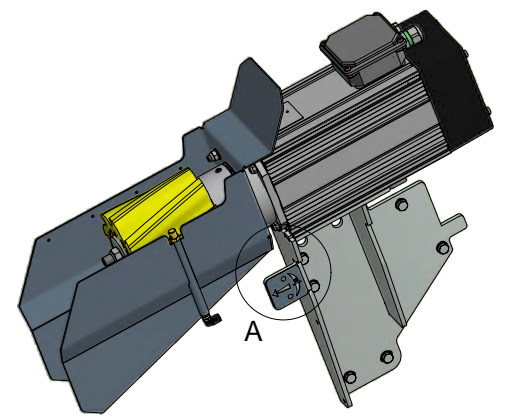
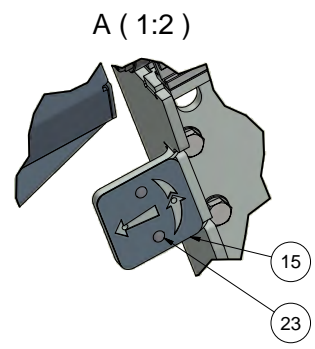
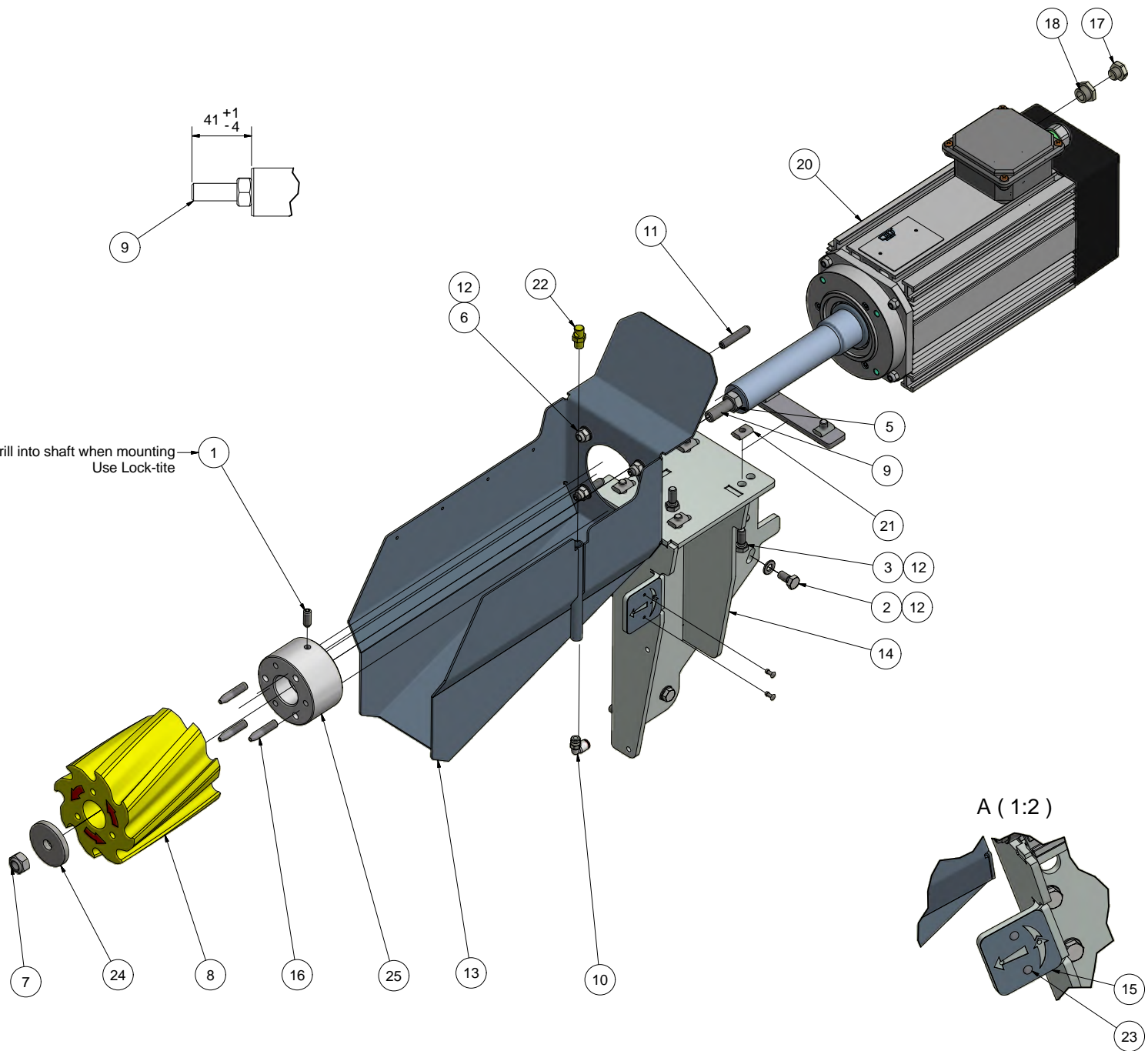


Break all edges			
	Scale:	Not specified tolerance according to:	Sheet size:
	1:3	DS/ISO 2768-m	A2
	Surface properties:	No	Sheet:
			1 / 1
Part No.:	Material:		
M101930			
Description 1:	Motor Ass. LS Top 2		
Description 2:			

Revision:	Approved	Date:	Revision Description
3	WA	20-01-2017	Pinbolt changed to 70 mm



Drill into shaft when mounting
Use Lock-tite

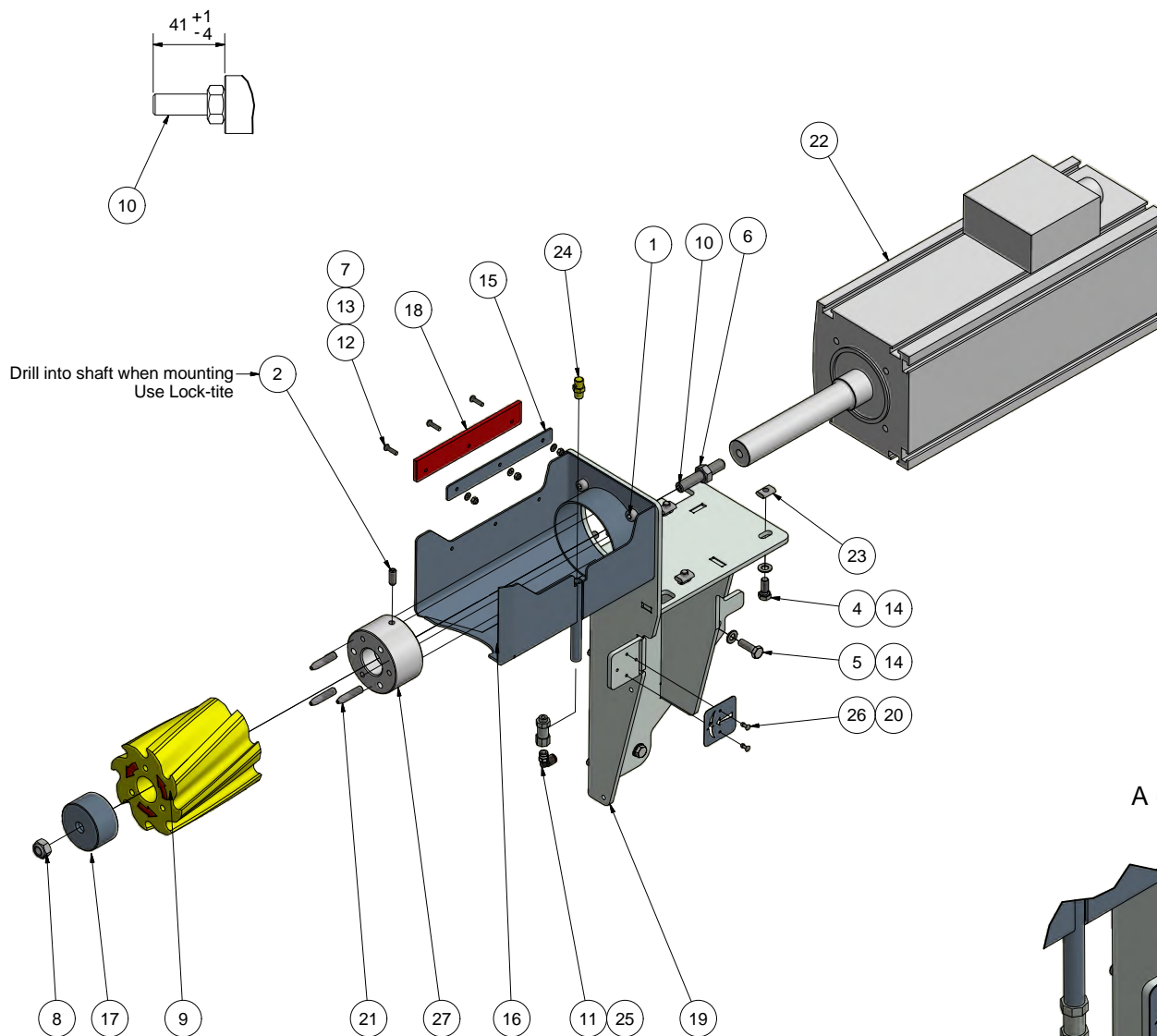


PARTS LIST			
ITEM	QTY	PART NUMBER	DESCRIPTION
1	1	10508020	Stop screw M8x20-B
2	2	11408016	Hexagon bolt M8x16 FZB
3	7	11408020	Hexagon bolt M8x20 FZB
4	4	11408025	Hexagon bolt M8x25 FZB
5	1	1512000	Nut M12 FZB
6	4	17908000	Self-locking nut M8 FZB
7	1	17912000	Self-locking nut M12 FZB
8	1	195228	Scrape roll, Twisted CCW, 8T, Yellow SH86
9	1	20912070	Stop screw M12x70-F
10	1	215730	Elbow swivel < 6 x 1/8"t
11	4	21608040	Stop screw M8x40-F
12	16	82108000	Washer M8 FZB
13	1	M101813	Cover for Scraping Roll LS Bottom 2
14	1	M101830	Motor Console Left
15	1	M101973	Sign, skin up + CW / CCW
16	3	M101975	Pin for Roll
17	1	M102043	Pressure compensation element
18	1	M102044	Reduction Polyamid M16-M12
19	1	M102508	Stop plate for 1,85 kW motor
20	1	M200276	Motor for roll, HG10, 1,85kW 4P E63L
21	6	M200287	Key 10-M8 for squar motor
22	1	M200984	Nozzle, angle flat jet 1/8" 780
23	2	M201095	Blind rivet < 3,2x10 (5-7)
24	1	M201315	Washer for motor
25	1	M201320	Spacer for motor

Revision	Approved	Date	Revision Description
3	WA	24-01-2017	Pinbolt changed to 70 mm

Break all edges

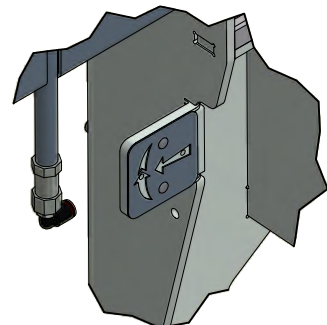
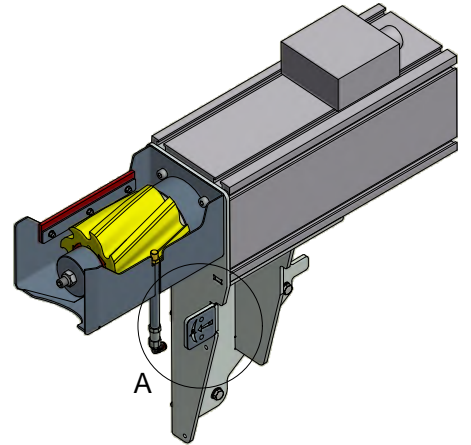
	Scale:	1:3	Not specified tolerance according to:	DS/ISO 2768-m	Sheet size:	A2
	Surface properties:			No	Sheet:	1 / 1
Part No.:	M101931					
Description 1:	Motor Ass. LS Bottom 2					
Description 2:						



Drill into shaft when mounting
Use Lock-tite

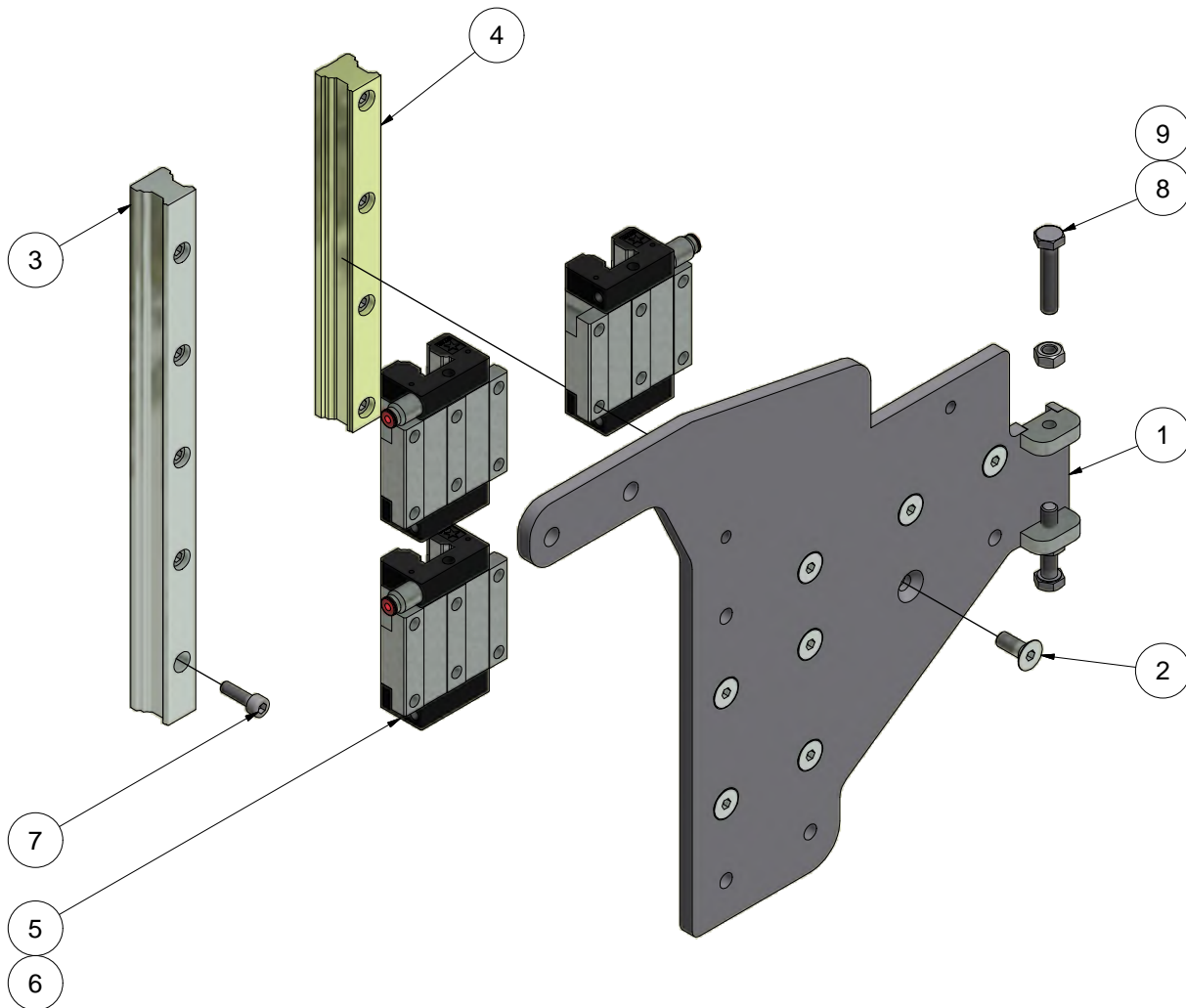
A (1:2)

ITEM		QTY	PART NUMBER	PARTS LIST	DESCRIPTION
1	4	10208020	Hexagon cylinder head M8x20FZB		
2	1	10508020	Stop screw M8x20-B		
3	2	11408016	Hexagon bolt M8x16 FZB		
4	4	11408020	Hexagon bolt M8x20 FZB		
5	4	11408025	Hexagon bolt M8x25 FZB		
6	1	1512000	Nut M12 FZB		
7	3	17904000	Self-locking nut M4 FZB		
8	1	17912000	Self-locking nut M12 FZB		
9	1	195228	Scrape roll, Twisted CCW, 8T, Yellow SH86		
10	1	20912070	Stop screw M12x70-F		
11	1	215730	Elbow swirvel < 6 x 1/8"t		
12	3	76004016	Bottomhead bolt M4x16 FZB.ipt		
13	3	82104000	Washer M4 FZB		
14	10	82108000	Washer M8 FZB		
15	1	M101796	Lip Clamp		
16	1	M101806	Cover for Scraping LS Top 1		
17	1	M101826	Shaft Top Cap		
18	1	M101828	Rubber scraper 168mm		
19	1	M101829	Motor Console		
20	1	M101972	Sign, skin down + CW / CCW		
21	3	M101975	Pin for Roll		
22	1	M200280	Motor for roll. box on left		
23	4	M200287	Key 10-M8 for squar motor		
24	1	M200984	Nozzle, angle flat jet 1/8" 780		
25	1	M200987	Valve No-return 1/8" x 1/8" (M/F)		
26	2	M201095	Blind rivet < 3,2x10 (5-7)		
27	1	M201320	Spacer for motor		

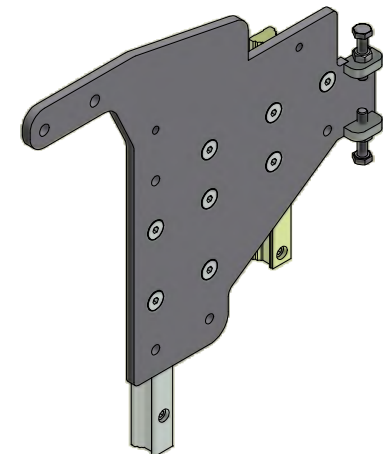


Break all edges			
	Scale:	Not specified tolerance according to:	Sheet size:
	1 : 4	DS/ISO 2768-m	A2
	Surface properties:	No	Sheet:
			1 / 1
Part No.: M101932			
Description 1: Motor Ass. LS Top 1			
Description 2:			

Revision:	Approved	Date:	Revision Description
2	WA	24-01-2017	Bolts changed



PARTS LIST			
ITEM	QTY	PART NUMBER	DESCRIPTION
1	1	M101876	Slide Plate LS Bottom 1
2	8	20408020	Hexagon countersunk head M8x20 FZB
3	1	222305	Ball guide rail s.25/305mm
4	1	207990	Ball guide rail s.25/200mm
5	3	222300	Ball runner block s.25 wide
6	3	215926	Straight connector < 4 x M6
7	9	10206020	Hexagon cylinder head M6x20 FZB
8	2	11408040	Hexagon bolt M8x40 FZB
9	2	1508000	Nut M8 FZB

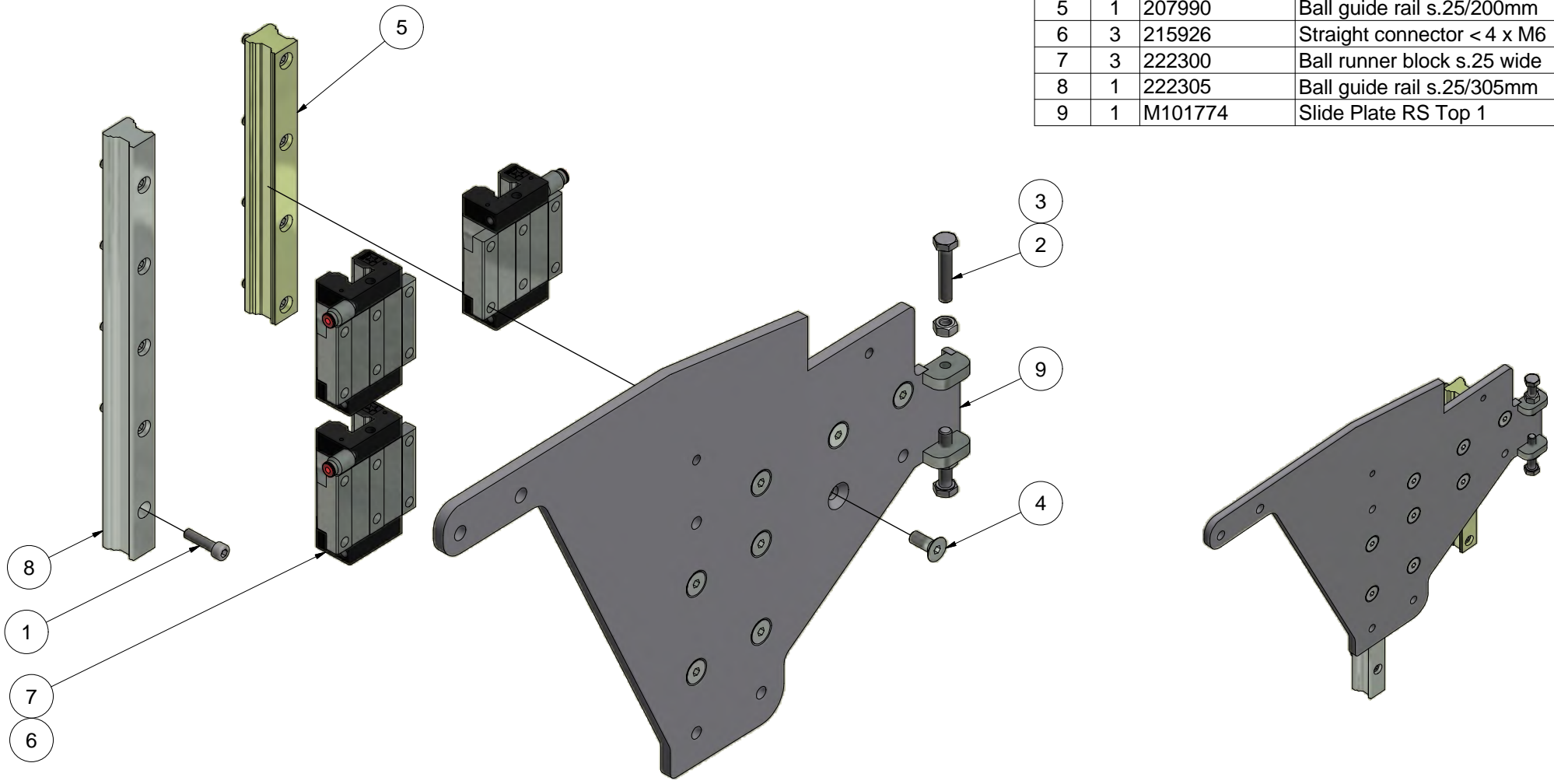


Break all edges

The information on this drawing is the property of HEDENSTED GRUPPEN AS. It is not to be copied or disclosed to any third person.			Scale:	Not specified tolerance according to:	Sheet size:	
			1 : 2,5	DS/ISO 2768-m	A3	
				Surface properties:	No	Sheet:
					1 / 1	
Part No.:		Material:				
M101933						
Description 1:						
Slide LS Bottom 1						
Description 2:						

Revision:	Approved	Date:	Revision Description
1	MBO	18-02-2016	Made

PARTS LIST			
ITEM	QTY	PART NUMBER	DESCRIPTION
1	9	10206025	Hexagon cylinder head M6x25 FZB
2	2	11408040	Hexagon bolt M8x40 FZB
3	2	1508000	Nut M8 FZB
4	8	20408020	Hexagon countersunk head M8x20 FZB
5	1	207990	Ball guide rail s.25/200mm
6	3	215926	Straight connector < 4 x M6
7	3	222300	Ball runner block s.25 wide
8	1	222305	Ball guide rail s.25/305mm
9	1	M101774	Slide Plate RS Top 1

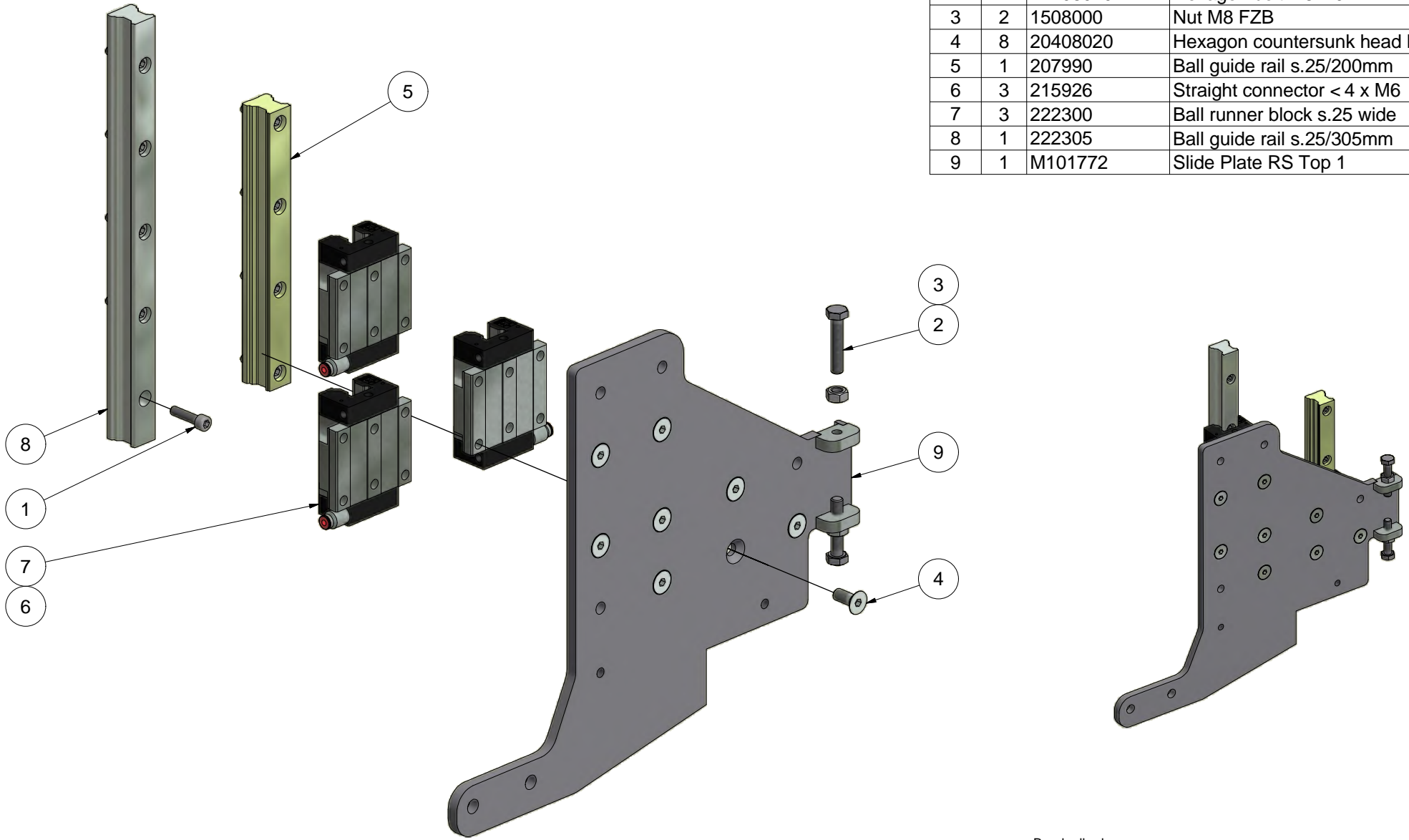


Break all edges

The information on this drawing is the property of HEDENSTED GRUPPEN A/S. It is not to be copied or disclosed to any third parties.	HG HEDENSTED GRUPPEN		Scale:	1 : 2,5	Not specified tolerance according to:	DS/ISO 2768-m	Sheet size:	A3	
			Surface properties:	No				Sheet:	1 / 1
	Part No.:		M101934		Material:				
	Description 1:		Slide RS Top 1						
Description 2:									

Revision:	Approved	Date:	Revision Description
1	MBO	18-02-2016	Made

PARTS LIST			
ITEM	QTY	PART NUMBER	DESCRIPTION
1	9	10206025	Hexagon cylinder head M6x25 FZB
2	2	11408040	Hexagon bolt M8x40 FZB
3	2	1508000	Nut M8 FZB
4	8	20408020	Hexagon countersunk head M8x20 FZB
5	1	207990	Ball guide rail s.25/200mm
6	3	215926	Straight connector < 4 x M6
7	3	222300	Ball runner block s.25 wide
8	1	222305	Ball guide rail s.25/305mm
9	1	M101772	Slide Plate RS Top 1

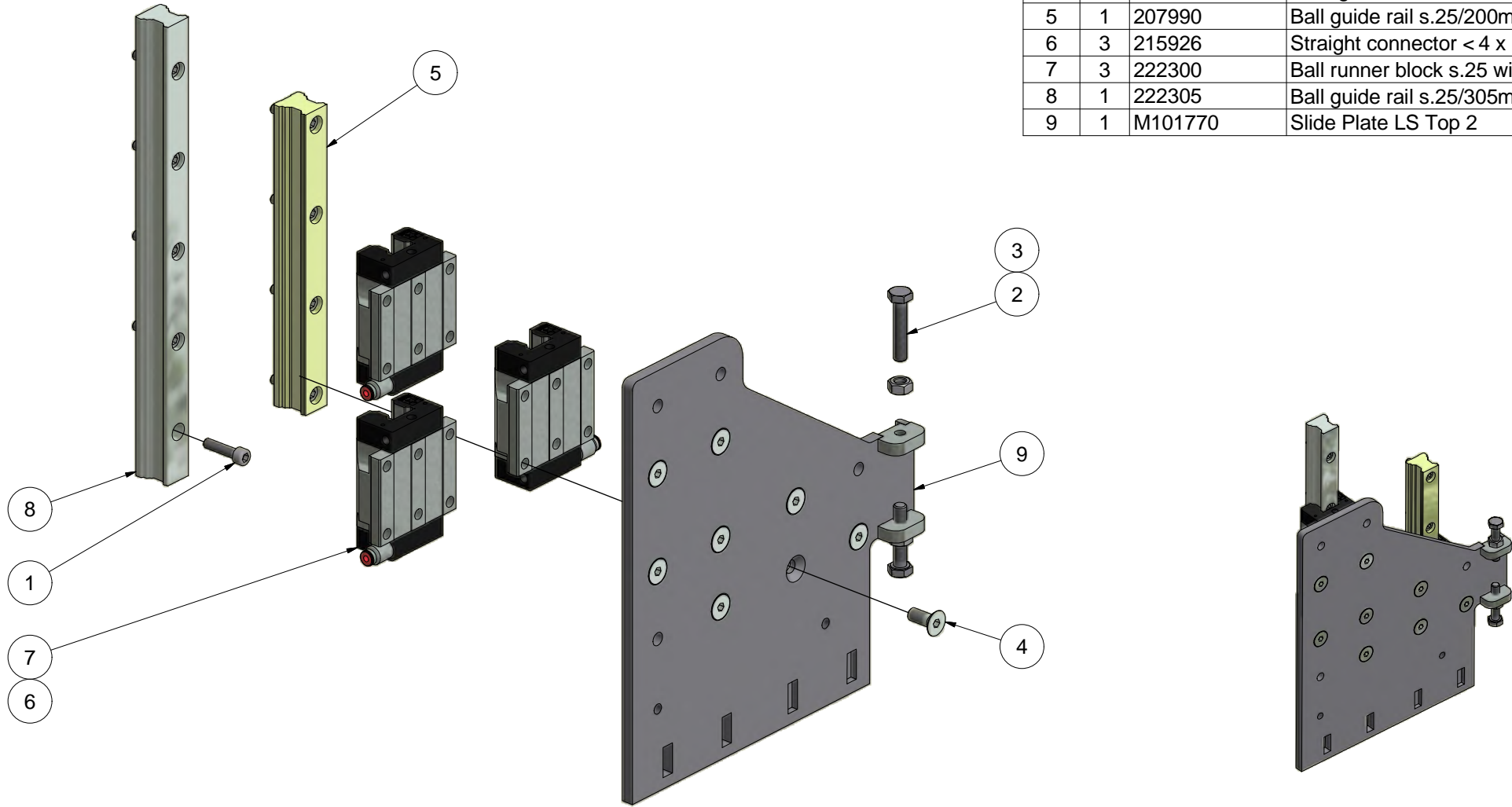


Break all edges


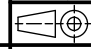
This drawing is the property of HEDENSTED GRUPPEN AS. It is not to be copied or disclosed to any third person.		Scale: 1:2,5	Not specified tolerance according to: DS/ISO 2768-m	Sheet size: A3
			Surface properties: No	Sheet: 1/1
	Part No.: M101935	Material:		
Description 1: Slide RS Top 2				
Description 2:				

Revision:	Approved	Date:	Revision Description
1	MBO	18-02-2016	Made

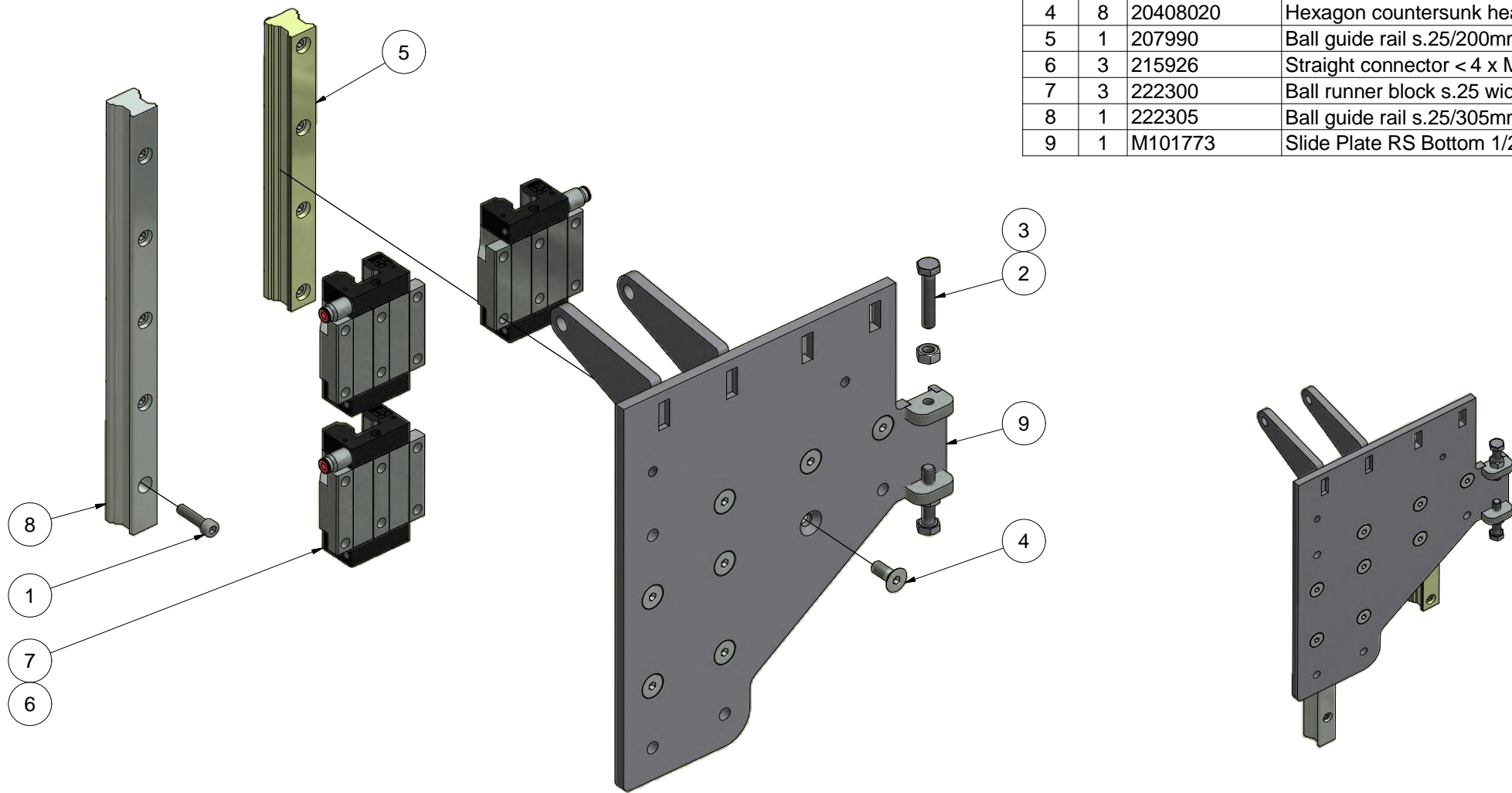
PARTS LIST			
ITEM	QTY	PART NUMBER	DESCRIPTION
1	9	10206025	Hexagon cylinder head M6x25 FZB
2	2	11408040	Hexagon bolt M8x40 FZB
3	2	1508000	Nut M8 FZB
4	8	20408020	Hexagon countersunk head M8x20 FZB
5	1	207990	Ball guide rail s.25/200mm
6	3	215926	Straight connector < 4 x M6
7	3	222300	Ball runner block s.25 wide
8	1	222305	Ball guide rail s.25/305mm
9	1	M101770	Slide Plate LS Top 2



Break all edges

The information on this drawing is the property of HEDENSTED GRUPPEN A/S. It is not to be copied or disclosed to any third person.		Scale: 1 : 2,5	Not specified tolerance according to: DS/ISO 2768-m	Sheet size: A3
		Surface properties: No		Sheet: 1 / 1
	Part No.: M101936	Material:		
	Description 1: Slide LS Top 2			
Description 2:				

Revision:	Approved	Date:	Revision Description
1	MBO	18-02-2016	Made

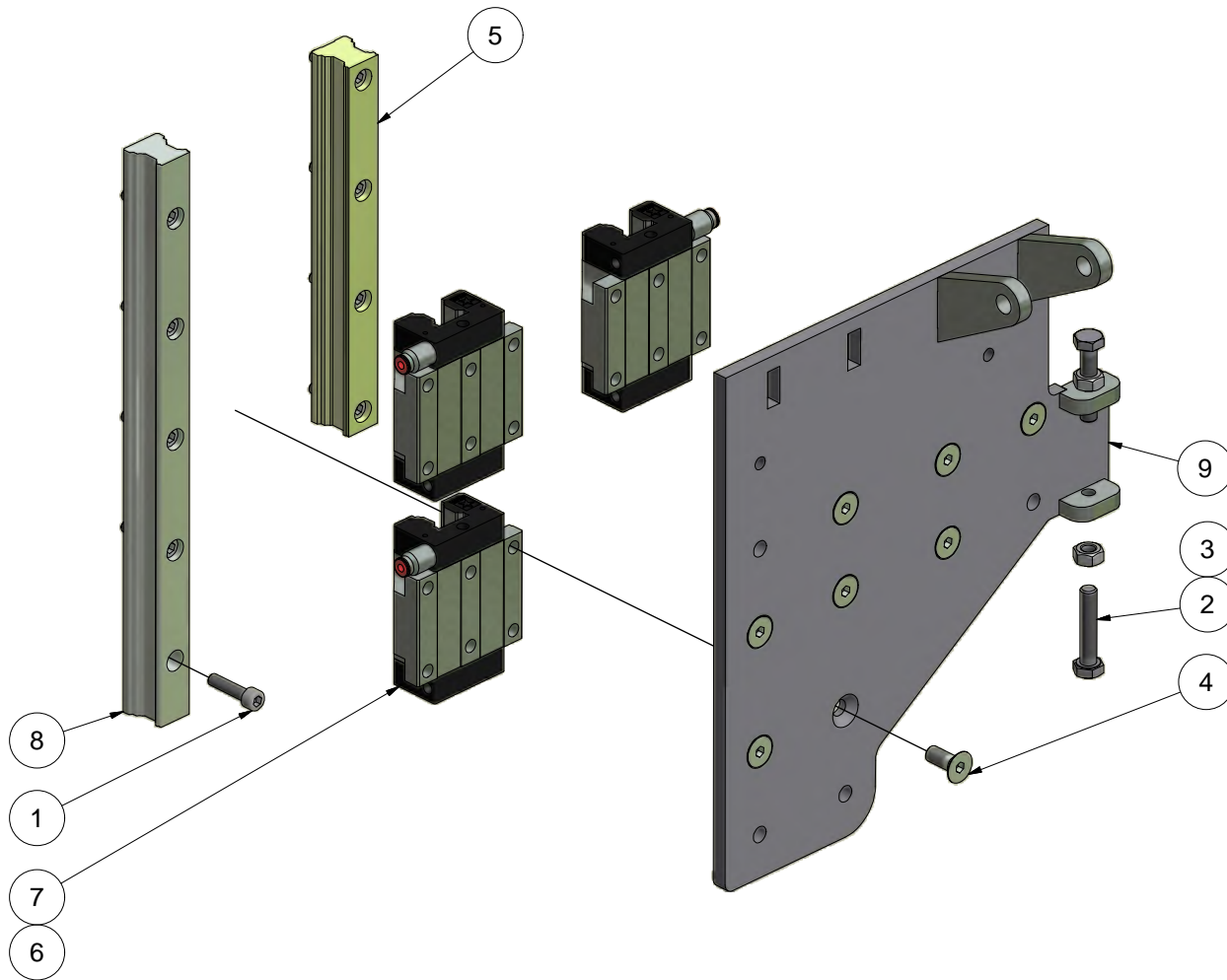


PARTS LIST			
ITEM	QTY	PART NUMBER	DESCRIPTION
1	9	10206025	Hexagon cylinder head M6x25 FZB
2	2	11408040	Hexagon bolt M8x40 FZB
3	2	1508000	Nut M8 FZB
4	8	20408020	Hexagon countersunk head M8x20 FZB
5	1	207990	Ball guide rail s.25/200mm
6	3	215926	Straight connector < 4 x M6
7	3	222300	Ball runner block s.25 wide
8	1	222305	Ball guide rail s.25/305mm
9	1	M101773	Slide Plate RS Bottom 1/2

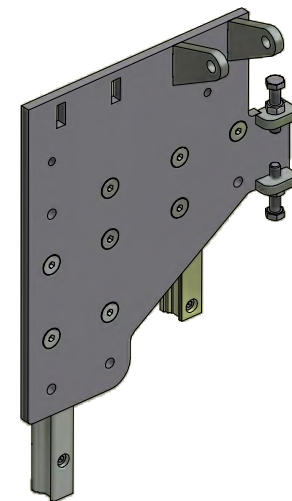
Break all edges

The information on this drawing is the property of HEDENSTED GRUPPEN A/S. It is not to be copied or disclosed to any third parties.			Scale:	Not specified tolerance according to:	Sheet size:	
			1 : 2,5	DS/ISO 2768-m	A3	
				Surface properties:	No	Sheet:
					1 / 1	
Part No.:		Material:				
M101937						
Description 1:						
Slide RS Bottom 1/2						
Description 2:						

Revision:	Approved	Date:	Revision Description
1	MBO	18-02-2016	Made



PARTS LIST			
ITEM	QTY	PART NUMBER	DESCRIPTION
1	9	10206025	Hexagon cylinder head M6x25 FZB
2	2	11408040	Hexagon bolt M8x40 FZB
3	2	1508000	Nut M8 FZB
4	8	20408020	Hexagon countersunk head M8x20 FZB
5	1	207990	Ball guide rail s.25/200mm
6	3	215926	Straight connector < 4 x M6
7	3	222300	Ball runner block s.25 wide
8	1	222305	Ball guide rail s.25/305mm
9	1	M101771	Slide Plate LS Bottom 2

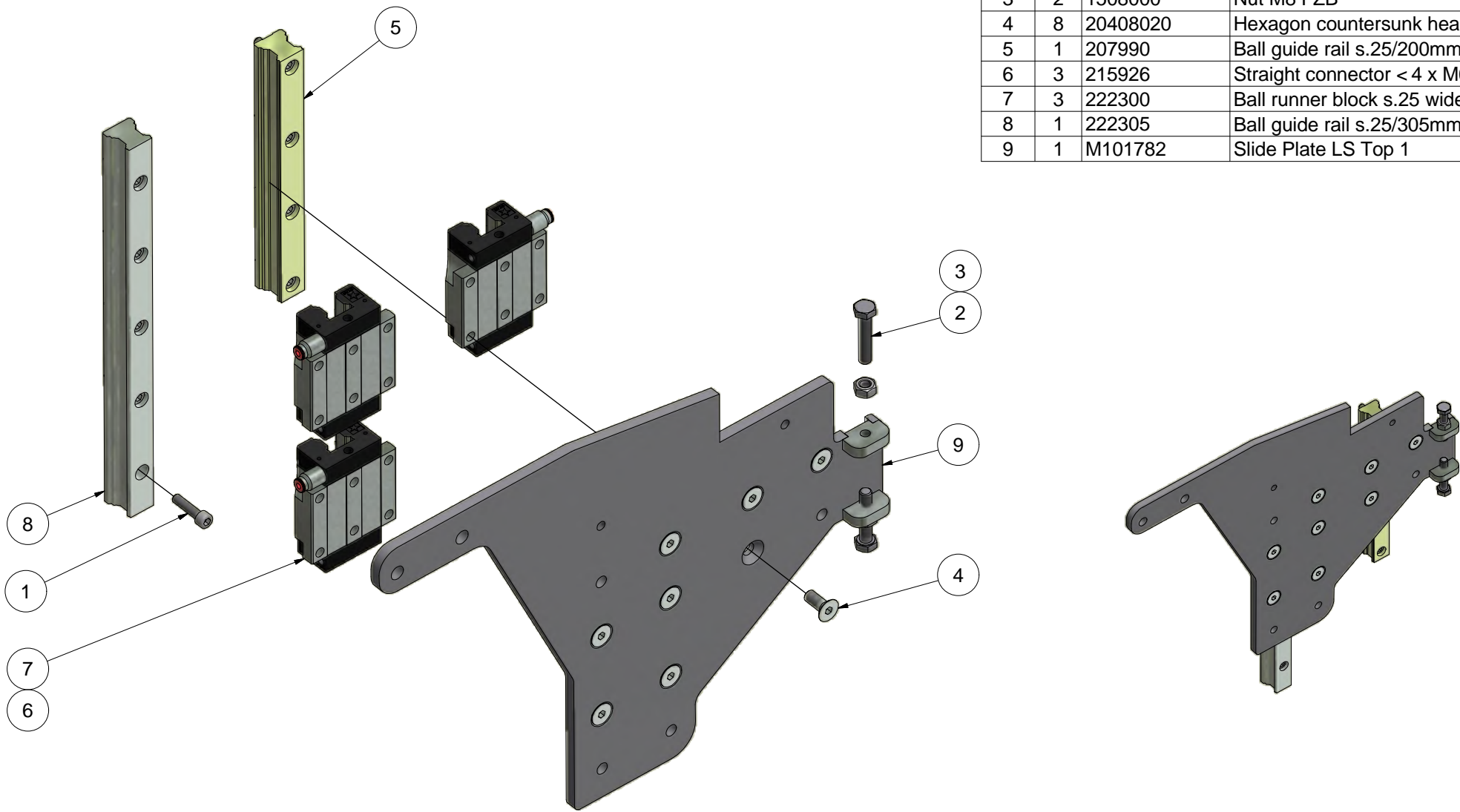


Break all edges

The information on this drawing is the property of HEDENSTED GRUPPEN AS and is not to be copied or disclosed to any third party.			Scale:	Not specified tolerance according to:	Sheet size:	
			1 : 2,5	DS/ISO 2768-m	A3	
				Surface properties:	No	Sheet:
						1 / 1
Part No.:		Material:				
M101938						
Description 1:						
Slide LS Bottom 2						
Description 2:						

Revision:	Approved	Date:	Revision Description
1	MBO	18-02-2016	Made

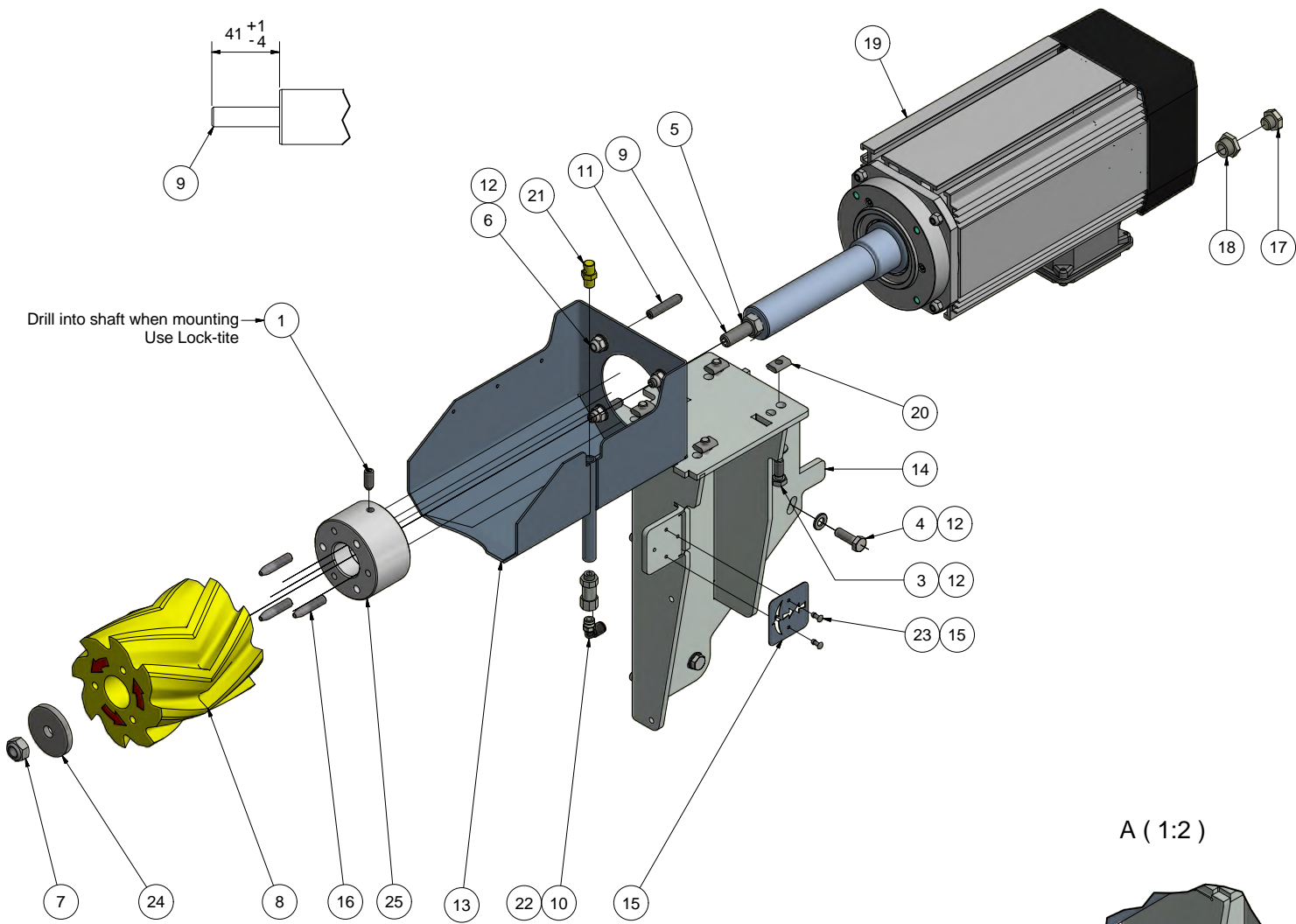
PARTS LIST			
ITEM	QTY	PART NUMBER	DESCRIPTION
1	9	10206025	Hexagon cylinder head M6x25 FZB
2	2	11408040	Hexagon bolt M8x40 FZB
3	2	1508000	Nut M8 FZB
4	8	20408020	Hexagon countersunk head M8x20 FZB
5	1	207990	Ball guide rail s.25/200mm
6	3	215926	Straight connector < 4 x M6
7	3	222300	Ball runner block s.25 wide
8	1	222305	Ball guide rail s.25/305mm
9	1	M101782	Slide Plate LS Top 1



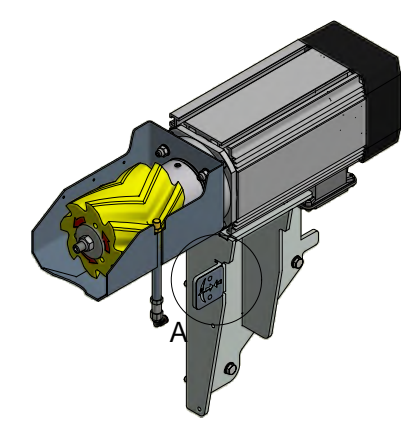
Break all edges

<small>Alle Maße sind in mm angegeben. Abweichungen sind zulässig, wenn sie nicht in der Zeichnung angegeben sind. HEDENSTED GRUPPEN A/S </small>	Scale:	Not specified tolerance according to:	Sheet size:
	1 : 2,5	DS/ISO 2768-m	A3
		Surface properties:	Sheet:
	No	1 / 1	
Part No.:	Material:		
M101939			
Description 1:	Description 2:		
Slide LS Top 1			

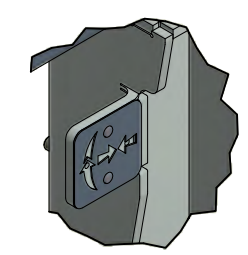
Revision:	Approved	Date:	Revision Description
1	MBO	18-02-2016	Made



ITEM	QTY	PART NUMBER	PARTS LIST	DESCRIPTION
1	1	10508020	Stop screw M8x20-B	
2	2	11408016	Hexagon bolt M8x16 FZB	
3	4	11408020	Hexagon bolt M8x20 FZB	
4	4	11408025	Hexagon bolt M8x25 FZB	
5	1	1512000	Nut M12 FZB	
6	4	17908000	Self-locking nut M8 FZB	
7	1	17912000	Self-locking nut M12 FZB	
8	1	195226	Scrape roll, V-shape, 8T, Yellow SH 86	
9	1	20912070	Stop screw M12x70-F	
10	1	215730	Elbow swirvel < 6 x 1/8"t	
11	4	21608040	Stop screw M8x40-F	
12	14	82108000	Washer M8 FZB	
13	1	M101811	Cover for Scraping Roll Top 2	
14	1	M101830	Motor Console Left	
15	1	M101974	Sign, skin together + CW / CCW	
16	3	M101975	Pin for Roll	
17	1	M102043	Pressure compensation element	
18	1	M102044	Reduction Polyamid M16-M12	
19	1	M200276	Motor for roll, HG10. 1.85kW 4P E63L	
20	4	M200287	Key 10-M8 for squar motor	
21	1	M200984	Nozzle, angle flat jet 1/8" 780	
22	1	M200987	Valve No-return 1/8" x 1/8" (M/F)	
23	2	M201095	Blind rivet < 3,2x10 (5-7)	
24	1	M201315	Washer for motor	
25	1	M201320	Spacer for motor	

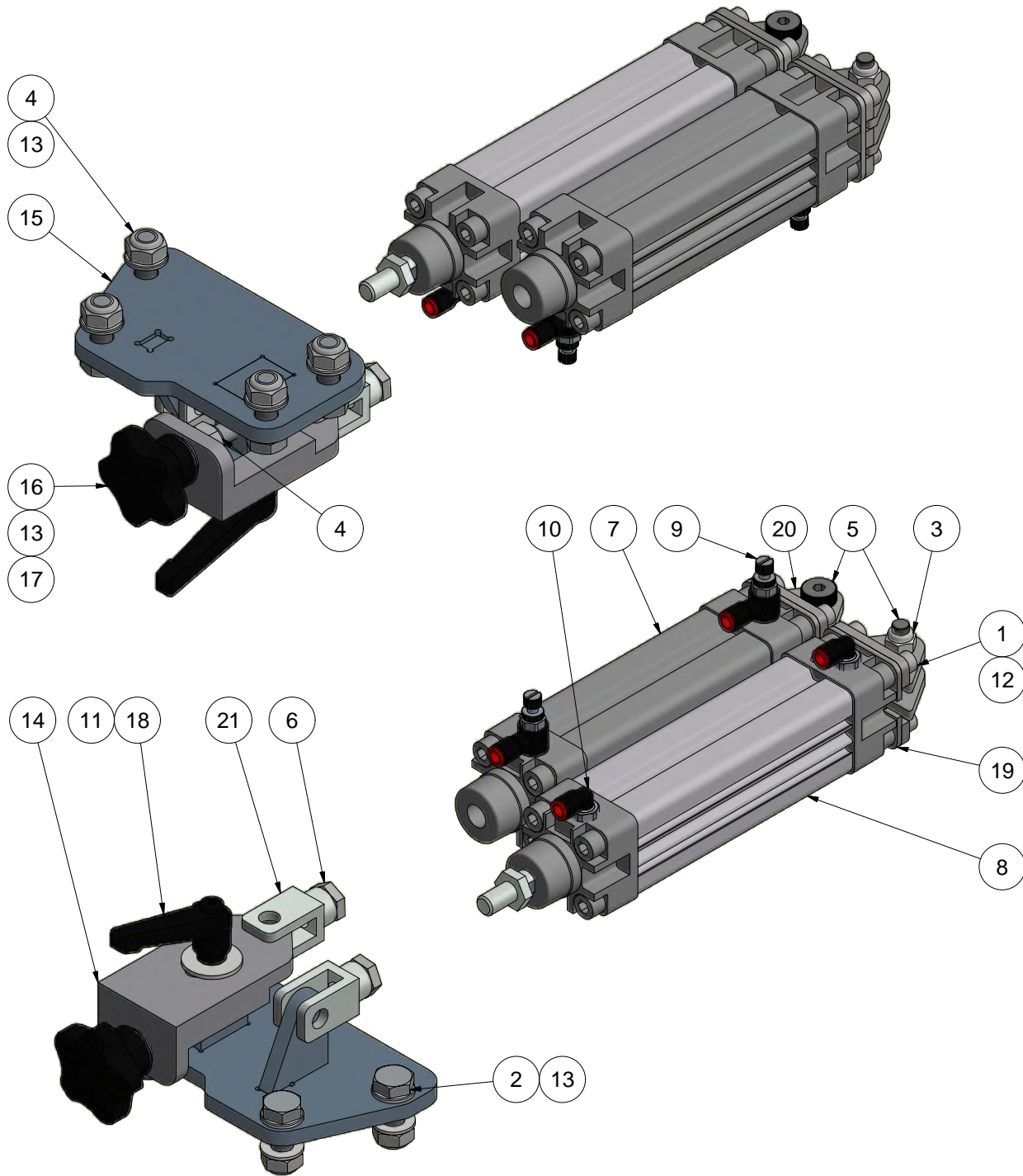


A (1:2)



Break all edges			
	Scale:	Not specified tolerance according to:	Sheet size:
	1:3	DS/ISO 2768-m	A2
	Surface properties:	No	Sheet:
			1 / 1
Part No.: M101940			
Description 1: Motor Ass. Top 2			
Description 2:			

Revision:	Approved	Date:	Revision Description
2	WA	24-01-2017	Pinbolt changed to 70 mm



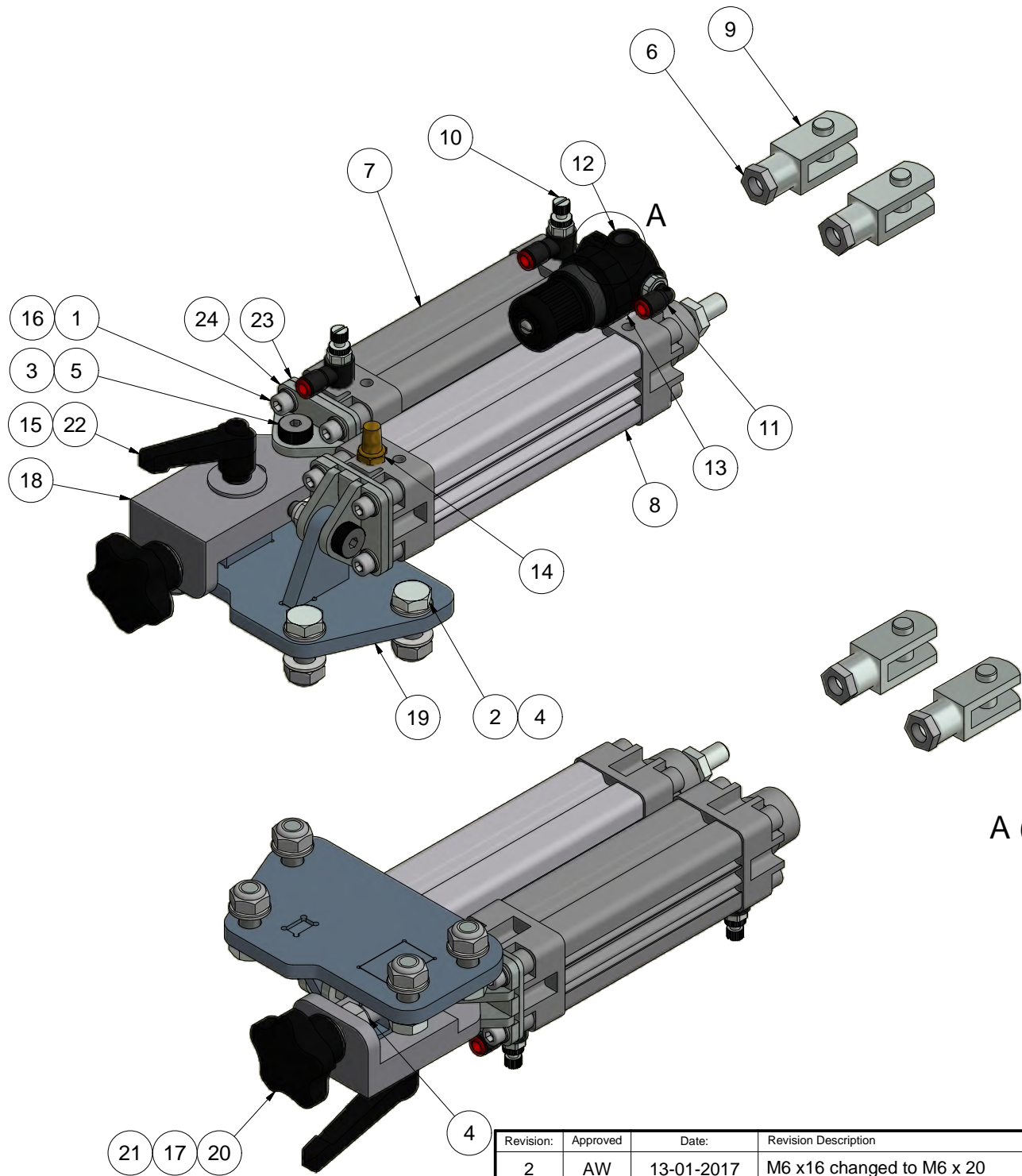
PARTS LIST

ITEM	QTY	PART NUMBER	DESCRIPTION
1	8	10206020	Hexagon cylinder head M6x20 FZB
2	4	11410030	Hexagon bolt M10x30 FZB
3	2	17908000	Self-locking nut M8 FZB
4	5	17910000	Self-locking nut M10 FZB
5	2	20208020	Fitting bolt M8-10x20
6	2	210427	Lock nut M10x1,25 FZB
7	1	212090	Cylinder PRA/182032/M/80
8	1	212092	Cylinder PRA/182032/M/100
9	2	215105	Flow banjo control < 6 x 1/8"
10	2	215760	Elbow swivel < 6 x 1/8"
11	1	4811028	Washer SRKB < 11x28x2 FZB
12	8	82106000	Washer M6 FZB
13	10	82110000	Washer M10 FZB
14	1	M101786	Mount Base For Cylinder
15	1	M101789	Mount for Cylinder
16	1	M101798	Adjustment screw M10 x 50mm
17	1	M101802	Bushing for Adjustment Screw
18	1	M101989	Handle, adjustable 63 x M10 - 20mm (M)
19	2	M102780	Spacer Plate for Cylinder < 32
20	2	M102781	Mounting Bracket Cyl < 32
21	2	M102782	F-Bracket QM/8025/25 for Bottom roll

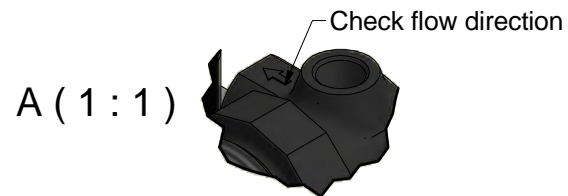
Break all edges

The information is subject to change without notice. It is not to be used for design or production without the approval of the manufacturer.		Scale: 1 : 2	Not specified tolerance according to: DS/ISO 2768-m	Sheet size: A3	
		Surface properties: No	Sheet: 1/1		
	Part No.: M101942	Material:			
	Description 1: Cylinder mount assembly 5	Description 2: LS1B			

Revision:	Approved	Date:	Revision Description
3	KKS	23-06-2017	Cylinder turned upside-down



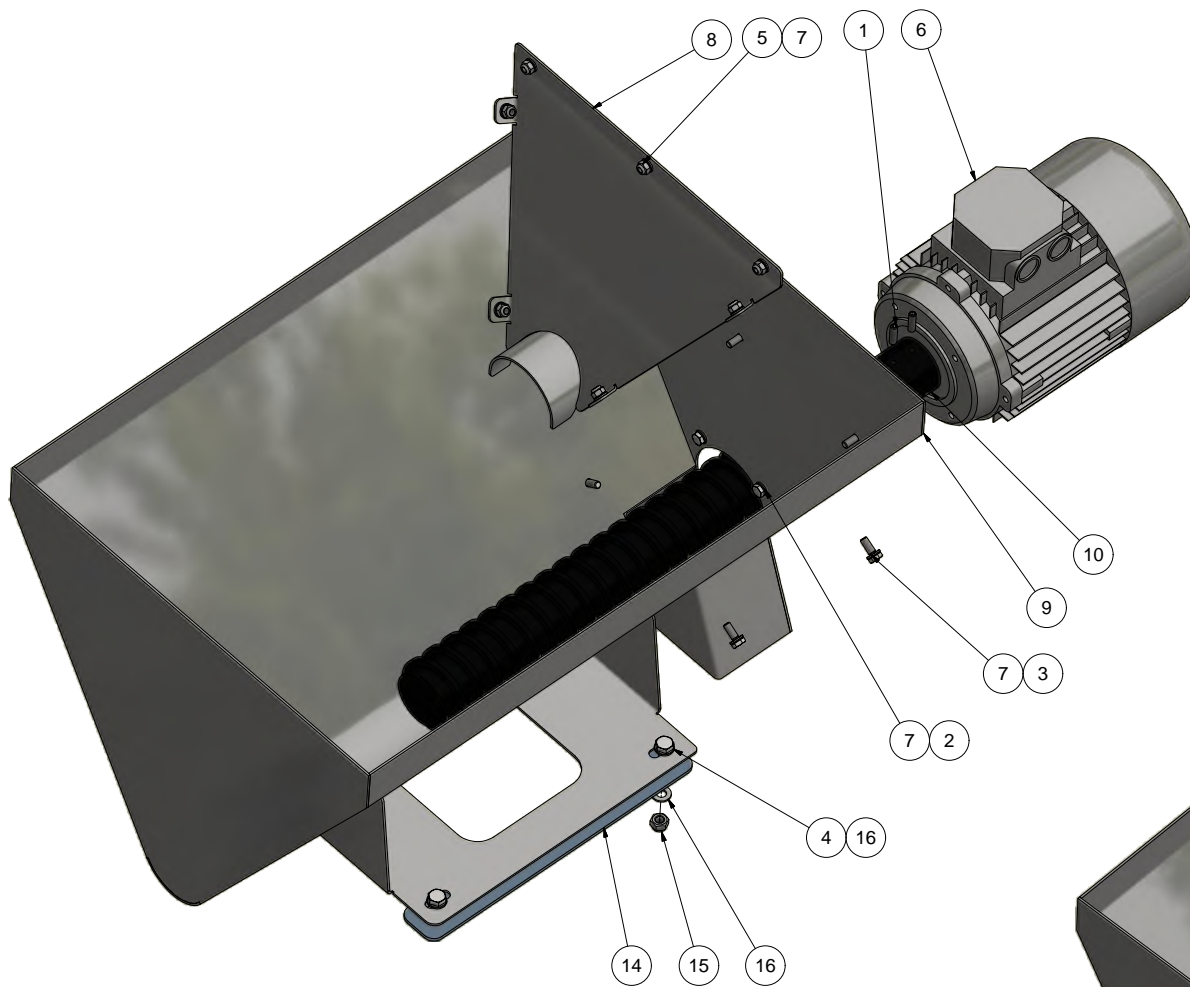
PARTS LIST			
ITEM	QTY	PART NUMBER	DESCRIPTION
1	8	10206020	Hexagon cylinder head M6x20 FZB
2	4	11410030	Hexagon bolt M10x30 FZB
3	2	17908000	Self-locking nut M8 FZB
4	5	17910000	Self-locking nut M10 FZB
5	2	20208020	Fitting bolt M8-10x20
6	2	210427	Lock nut M10x1,25 FZB
7	1	212090	Cylinder PRA/182032/M/80
8	1	212092	Cylinder PRA/182032/M/100
9	2	214115	F-Bracket QM/8025/25
10	2	215105	Flow banjo control < 6 x 1/8"
11	1	215760	Elbow swirvel < 6 x 1/8"
12	1	216208	Regulator 1/8" 0,3-7 bar
13	1	216721	Nipple 1/8"t x 1/8"t (M/M)
14	1	216796	Filter sintered 1/8+
15	1	4811028	Washer SRKB < 11x28x2 FZB
16	8	82106000	Washer M6 FZB
17	10	82110000	Washer M10 FZB
18	1	M101786	Mount Base For Cylinder
19	1	M101789	Mount for Cylinder
20	1	M101798	Adjustment screw M10 x 50mm
21	1	M101802	Bushing for Adjustment Screw
22	1	M101989	Handle, adjustable 63 x M10 - 20mm (M)
23	2	M10670	Spacer Plate for Cylinder < 32
24	2	M200185	Mounting Bracket Cyl < 32



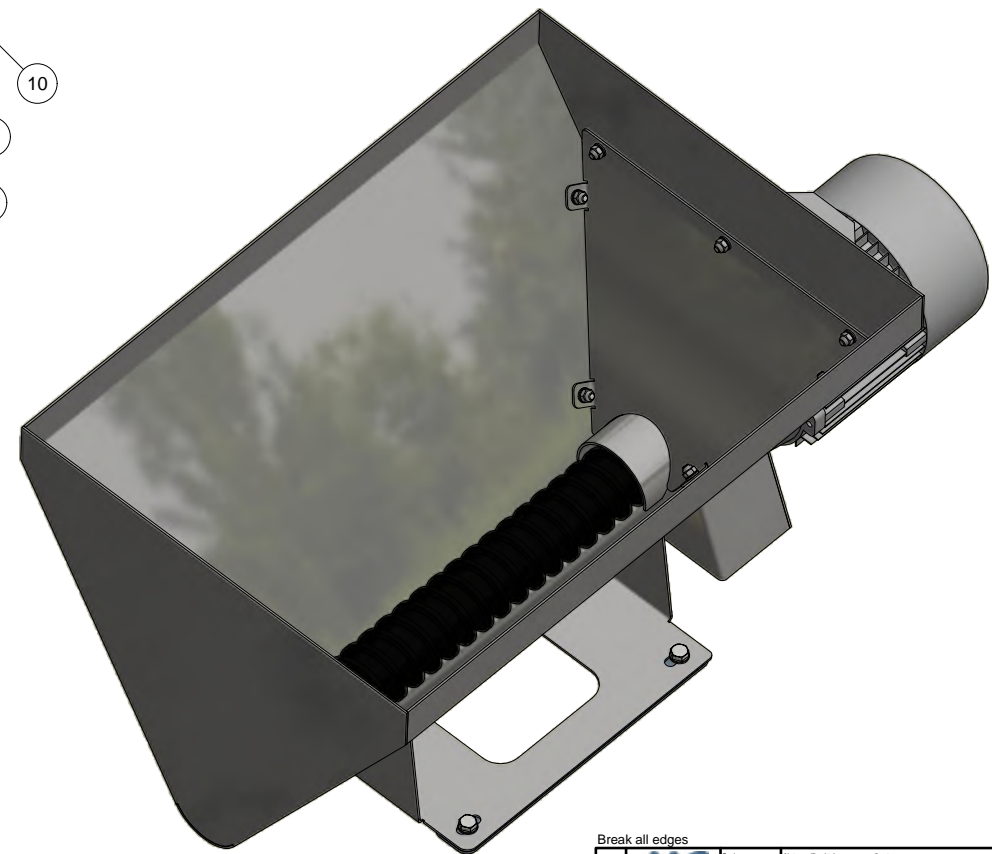
Break all edges

This drawing is the property of HEDENSTEDT GRUPPEN AS. It is not to be copied, reproduced, disseminated or used for any other purpose.		Scale: 1:2	Not specified tolerance according to: DS/ISO 2768-m	Sheet size: A3
		Surface properties: No		Sheet: 1/1
	Part No.: M101943	Material:		
	Description 1: Cylinder mount assembly 6	Description 2: RS1T + RS2T		

Revision:	Approved	Date:	Revision Description
2	AW	13-01-2017	M6 x16 changed to M6 x 20

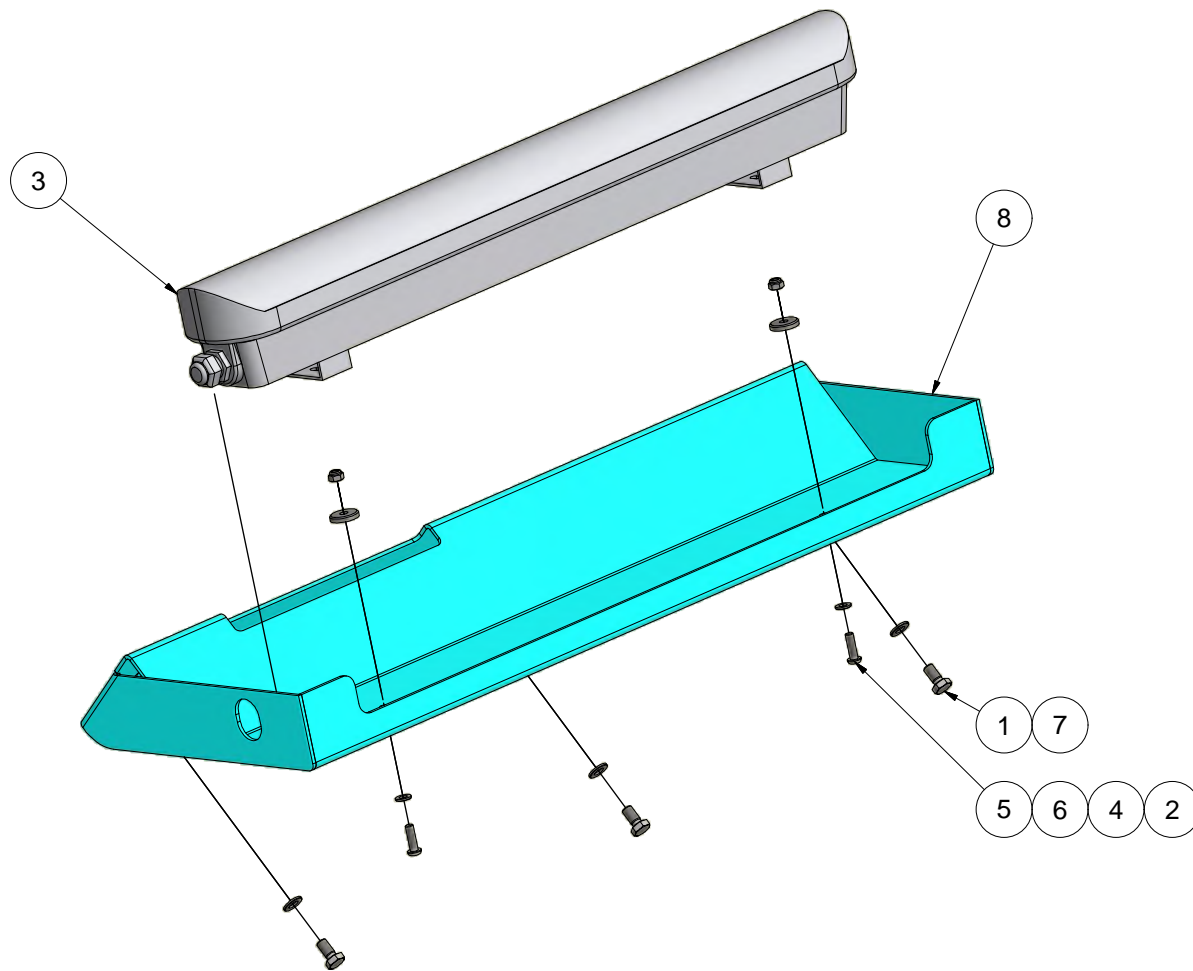


PARTS LIST			
ITEM	QTY	PART NUMBER	DESCRIPTION
1	2	10506020	Stop screw M6x20-B
2	4	11406012	Hexagon bolt M6x12 FZB
3	7	11406016	Hexagon bolt M6x16 FZB
4	4	11408030	Hexagon bolt M8x30 FZB
5	7	17906000	Self-locking nut M6 FZB
6	1	221676	Motor 0,37kW 900rpm
7	18	82106000	Washer M6 FZB
8	1	M101957	Screw Cover HG10
9	1	M101958	Dispenser Box HG10
10	1	M201575	Snail for dispenser
14	2	M102471	Rubber for sawdust box
15	4	17908000	Self-locking nut M8 FZB
16	8	82108000	Washer M8 FZB

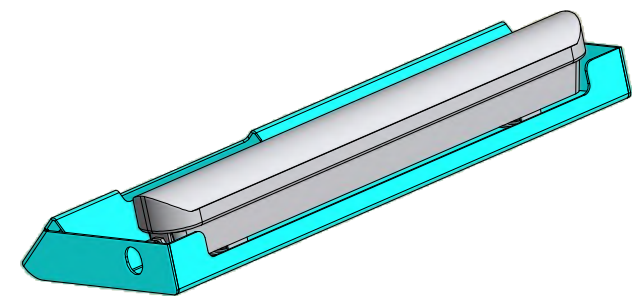


Break all edges			
	Scale:	Not specified tolerance according to:	Sheet size:
	1 : 3	DS/ISO 2768-m	A2
	Surface properties:	No	Sheet:
			1 / 1
Part No.:	Material:		
M101956			
Description 1:	Sawdust Dispenser HG10		
Description 2:			

Revision:	Approved	Date:	Revision Description
2	KL	13-12-2016	Bolts and nuts changed, rubber added



PARTS LIST			
ITEM	QTY	PART NUMBER	DESCRIPTION
1	3	11408016	Hexagon bolt M8x16 FZB
2	2	17906000	Self-locking nut M6 FZB
3	1	221013	Light batten 1x19W LED, 230V
4	2	4206000	Washer type TBR SB < 6,4x22x4 FZB
5	2	76006020	Buttonhead bolt M6x20 FZB
6	2	82106000	Washer M6 FZB
7	3	82108000	Washer M8 FZB
8	1	M101976	Light Bracket Plate

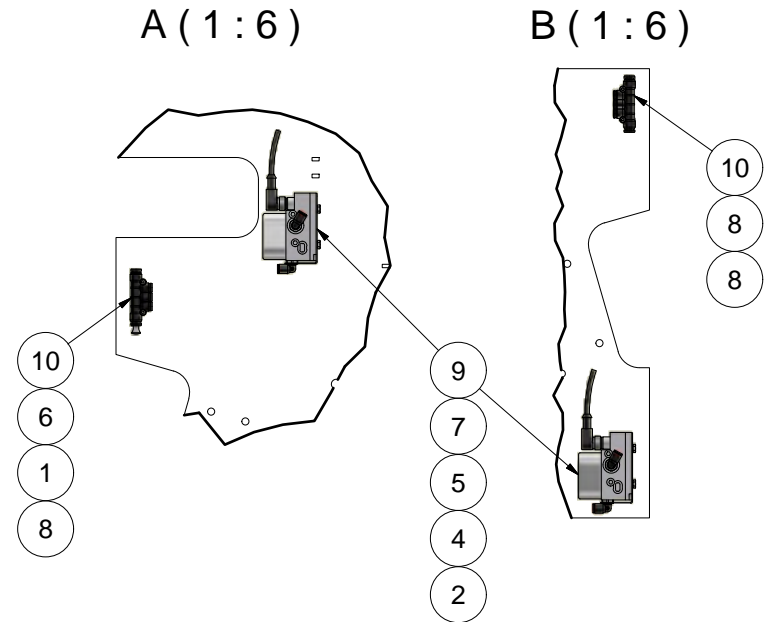
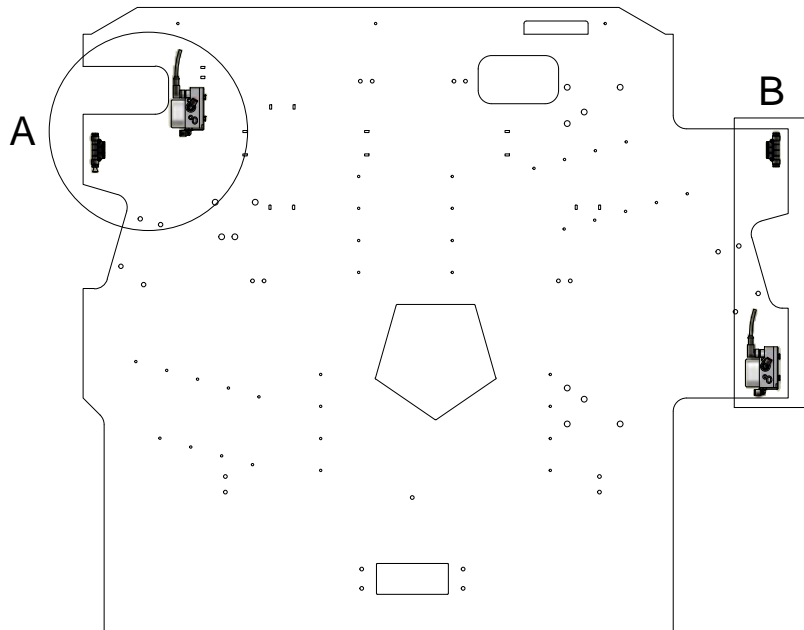


Break all edges

The information on this drawing is the property of HEDENSTED GRUPPEN A/S. It is not to be copied or disclosed to any third person.		Scale: 1:4	Not specified tolerance according to: DS/ISO 2768-m	Sheet size: A3
			Surface properties: No	Sheet: 1/1
	Part No.: M101977	Material:		
	Description 1: Light for fleshing section			
Description 2:				

Revision:	Approved	Date:	Revision Description
2	KKS	10-07-2017	Lighting changed

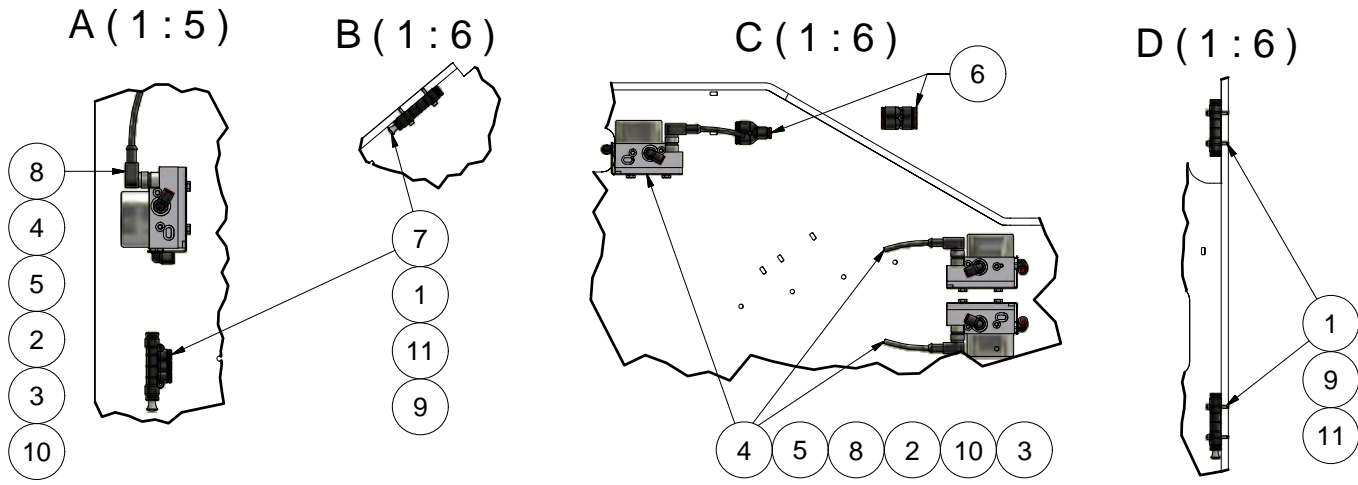
PARTS LIST			
ITEM	QTY	PART NUMBER	DESCRIPTION
1	3	10203020	Hexagon cylinder head M3x20 FZB
2	4	10205045	Hexagon cylinder head M5x45 FZB
3	4	11405006	Hexagon bolt M5x06 FZB
4	2	199080	Pressure regulator electric
5	4	215760	Elbow swirvel < 6 x 1/8"
6	1	216748	Plug < 6 mm
7	2	601328	Cabel 5P M12 w.screen - angle
8	4	82103000	Chamfered Washer M3 FZB
9	2	M100547	Cover for ED02 valve
10	2	M201140	Manifold < 6 x 3x< 4 x < 6



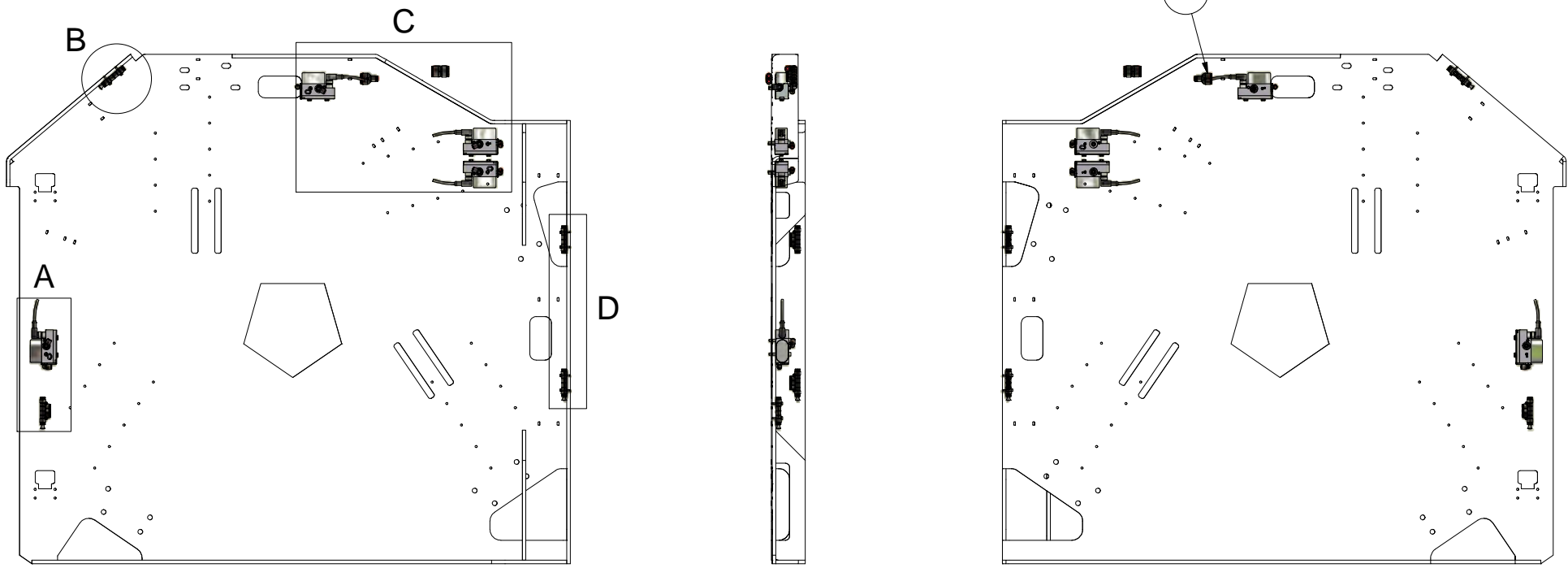
Break all edges

The information on this drawing is the property of HEDENSTED GRUPPEN A/S. It is not to be copied or disclosed to any third parties.		Scale:	1:10	Not specified tolerance according to:	DS/ISO 2768-m	Sheet size:	A3	
	Part No.:	M101982	Material:		Surface properties:	No	Sheet:	1/1
	Description 1:							
	Description 2:							

Revision:	Approved	Date:	Revision Description
1	MBO	25-02-2016	Made



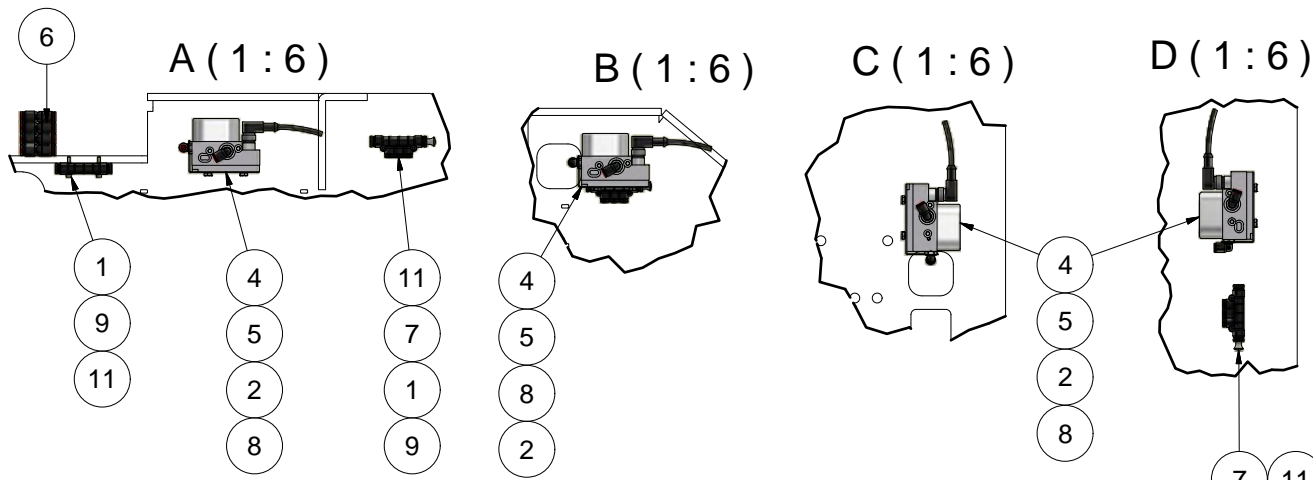
PARTS LIST			
ITEM	QTY	PART NUMBER	DESCRIPTION
1	8	10203020	Hexagon cylinder head M3x20 FZB
2	8	10205045	Hexagon cylinder head M5x45 FZB
3	8	11405006	Hexagon bolt M5x06 FZB
4	4	199080	Regulator electric 0,5-6 Bar 0-10VDC
5	8	215760	Elbow swivel < 6 x 1/8"
6	4	215860	Y-connector 2x< 6 x < 6
7	3	216748	Plug < 6 mm
8	4	601328	Cable w. elbow plug M12 5P 5M
9	8	82103000	Washer M3 FZB
10	4	M100547	Cover for ED02 valve
11	4	M201140	Manifold < 6 x 3x< 4 x < 6



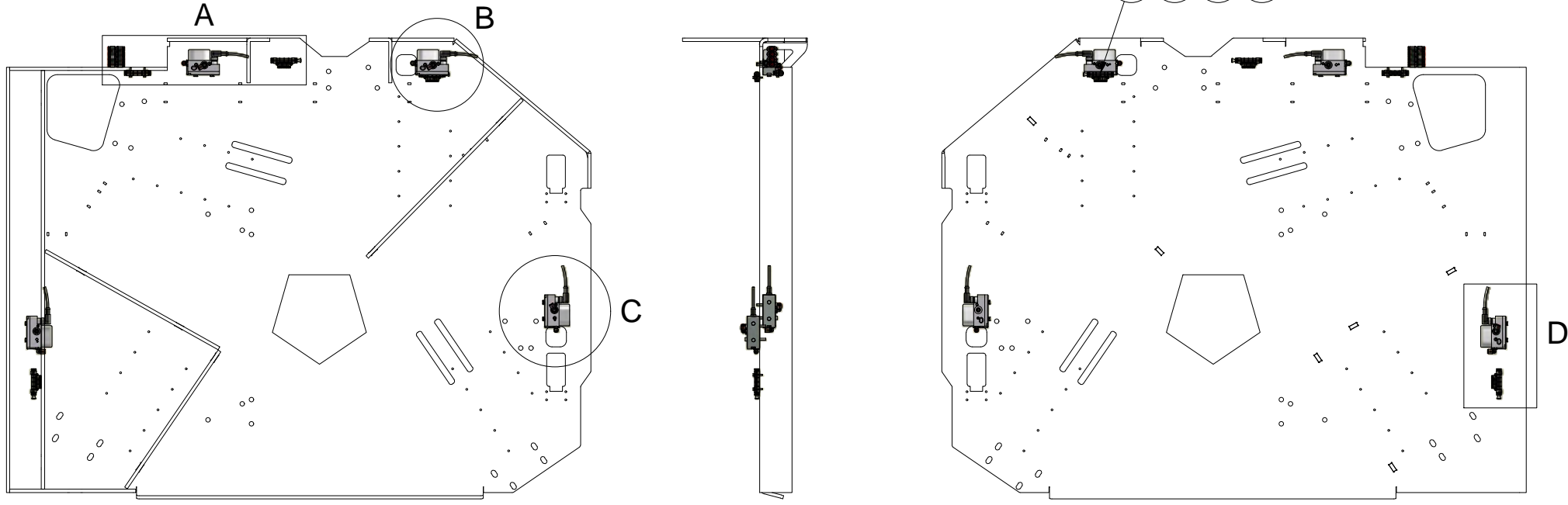
Break all edges

This drawing is the property of HEDENSTED GRUPPEN A/S. It is not to be copied, reproduced, or disseminated to any third parties.		Scale: 1:10	Not specified tolerance according to: DS/ISO 2768-m	Sheet size: A3
			Surface properties: No	Sheet: 1/1
	Part No.: M101983	Material:		
	Description 1: Pneumatic Components Door 1			
Description 2:				

Revision:	Approved	Date:	Revision Description
1	MBO	25-02-2016	Made



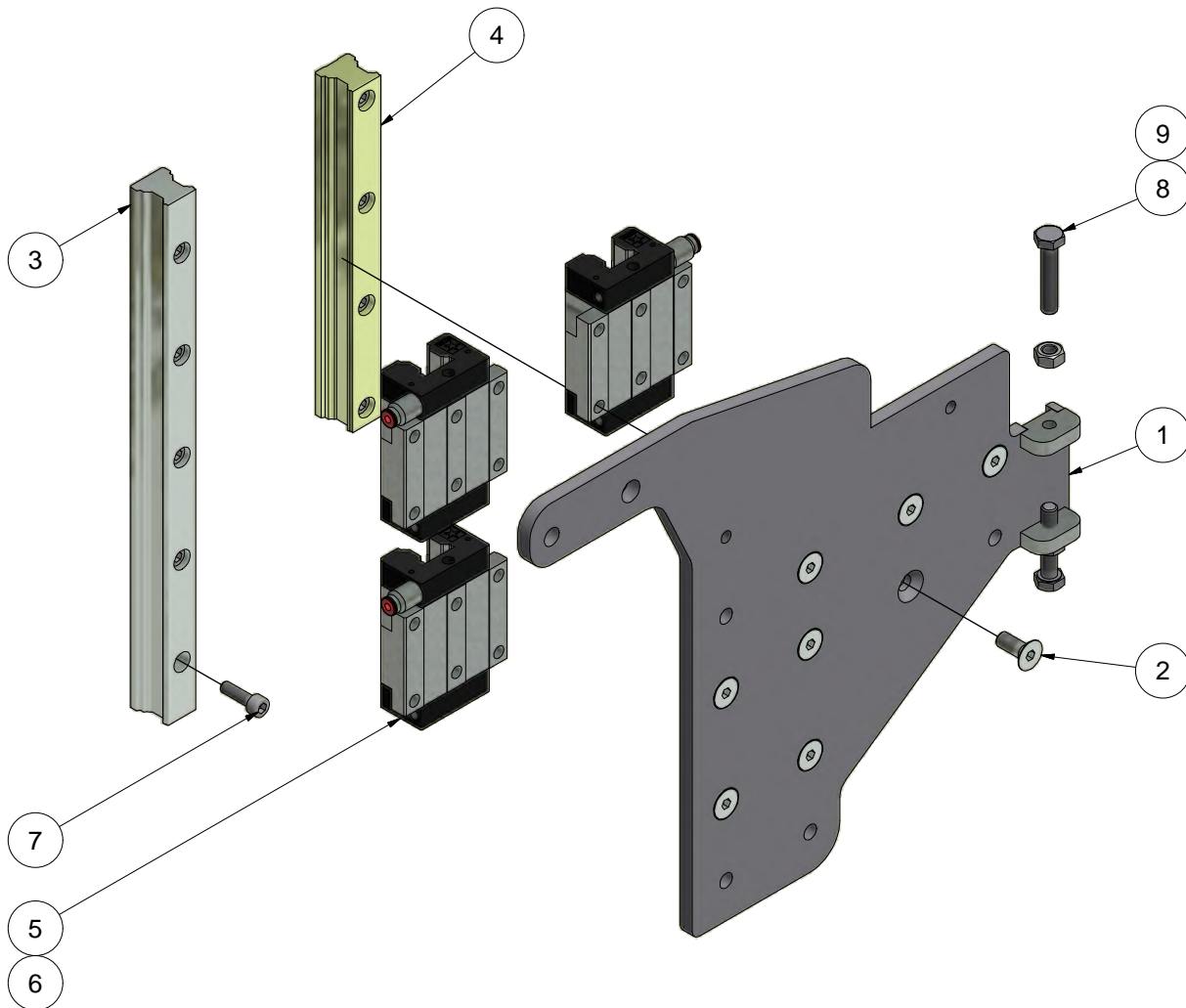
PARTS LIST			
ITEM	QTY	PART NUMBER	DESCRIPTION
1	8	10203020	Hexagon cylinder head M3x20 FZB
2	8	10205045	Hexagon cylinder head M5x45 FZB
3	8	11405006	Hexagon bolt M5x06 FZB
4	4	199080	Regulator electric 0,5-6 Bar 0-10VDC
5	8	215760	Elbow swivel < 6 x 1/8"
6	4	215860	Y-connector 2x< 6 x < 6
7	3	216748	Plug < 6 mm
8	4	601328	Cable w. elbow plug M12 5P 5M
9	8	82103000	Washer M3 FZB
10	4	M100547	Cover for ED02 valve
11	4	M201140	Manifold < 6 x 3x< 4 x < 6



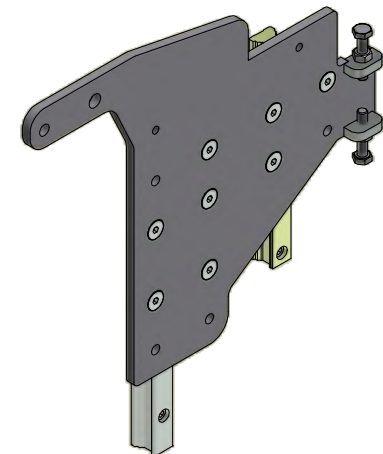
Break all edges

The drawing is a technical drawing and is not to be used for manufacturing without the approval of the design department.		Scale: 1:10	Not specified tolerance according to: DS/ISO 2768-m	Sheet size: A3
			Surface properties: No	Sheet: 1/1
	Part No.: M101984	Material:		
	Description 1: Pneumatic Components Door 2			
Description 2:				



Revision:	Approved	Date:	Revision Description
1	MBO	25-02-2016	Made



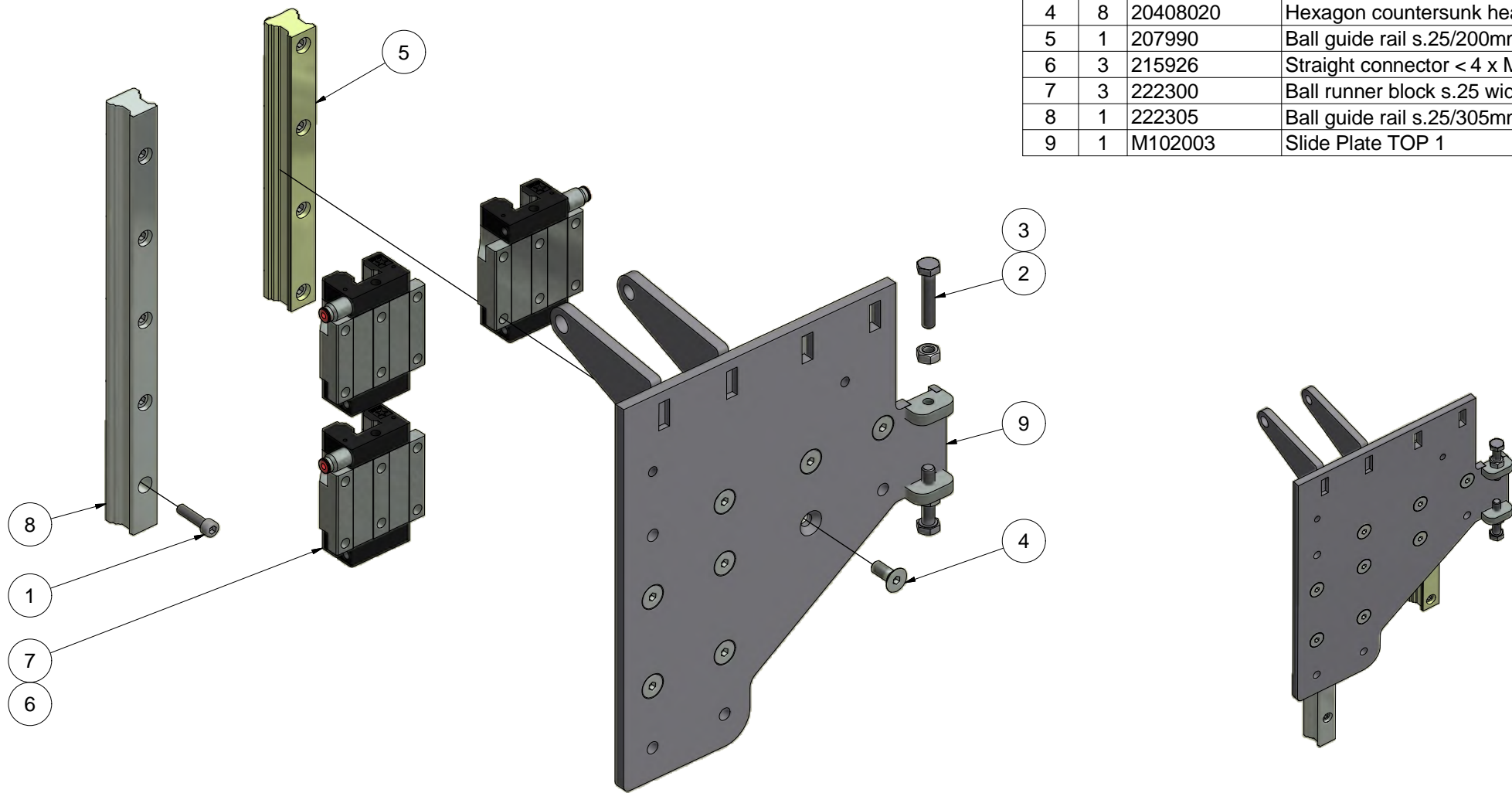
PARTS LIST			
ITEM	QTY	PART NUMBER	DESCRIPTION
1	1	M102001	Slide Plate Top 2
2	8	20408020	Hexagon countersunk head M8x20 FZB
3	1	222305	Ball guide rail s.25/305mm
4	1	207990	Ball guide rail s.25/200mm
5	3	222300	Ball runner block s.25 wide
6	3	215926	Straight connector < 4 x M6
7	9	10206020	Hexagon cylinder head M6x20 FZB
8	2	11408040	Hexagon bolt M8x40 FZB
9	2	1508000	Nut M8 FZB



Break all edges

The drawing is a technical drawing and is not to be used for manufacturing without the approval of HEDENSTED GRUPPEN AS.		Scale: 1 : 2,5	Not specified tolerance according to: DS/ISO 2768-m	Sheet size: A3
		Material:	Surface properties: No	Sheet: 1 / 1
	Part No.: M102000	Description 1: Slide TOP 2		
	Description 2:			

Revision:	Approved	Date:	Revision Description
1	MBO	18-02-2016	Made



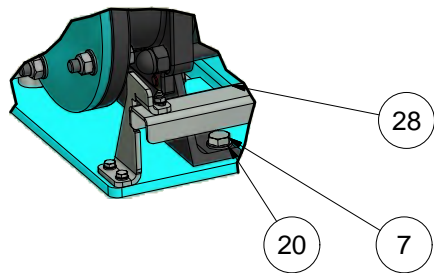
PARTS LIST			
ITEM	QTY	PART NUMBER	DESCRIPTION
1	9	10206025	Hexagon cylinder head M6x25 FZB
2	2	11408040	Hexagon bolt M8x40 FZB
3	2	1508000	Nut M8 FZB
4	8	20408020	Hexagon countersunk head M8x20 FZB
5	1	207990	Ball guide rail s.25/200mm
6	3	215926	Straight connector < 4 x M6
7	3	222300	Ball runner block s.25 wide
8	1	222305	Ball guide rail s.25/305mm
9	1	M102003	Slide Plate TOP 1

Break all edges

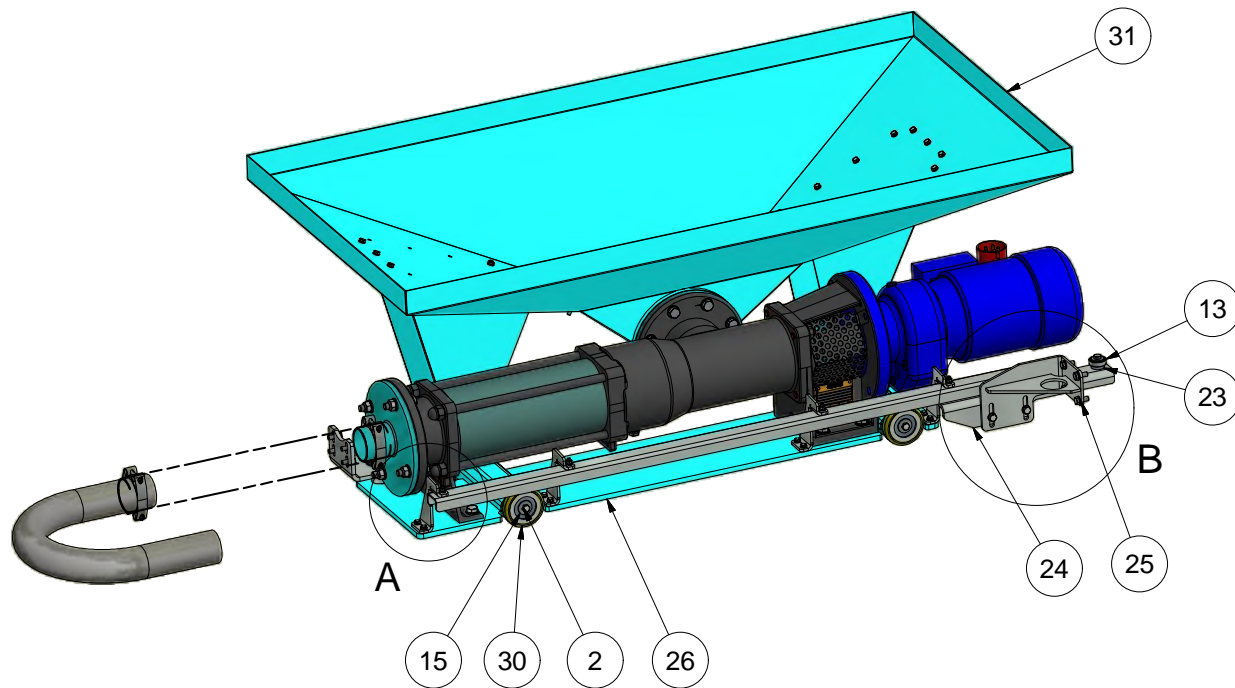
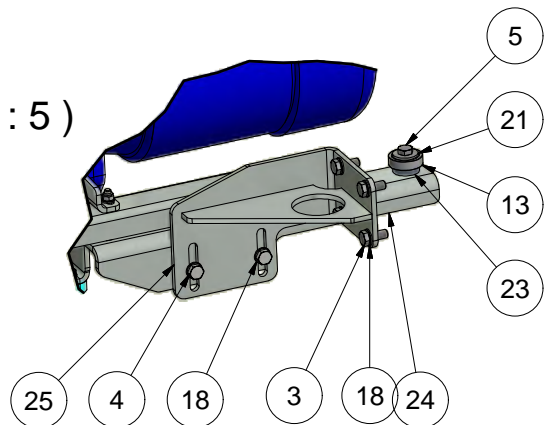
This drawing is the property of HEDENSTED GRUPPEN AS. It is not to be copied or disclosed to any third person.			Scale:	Not specified tolerance according to:	Sheet size:	
			1 : 2,5	DS/ISO 2768-m	A3	
				Surface properties:	No	Sheet:
					1 / 1	
Part No.:		Material:				
M102002						
Description 1:						
Slide TOP 1						
Description 2:						

Revision:	Approved	Date:	Revision Description
1	MBO	18-02-2016	Made

A (1:5)



B (1:5)



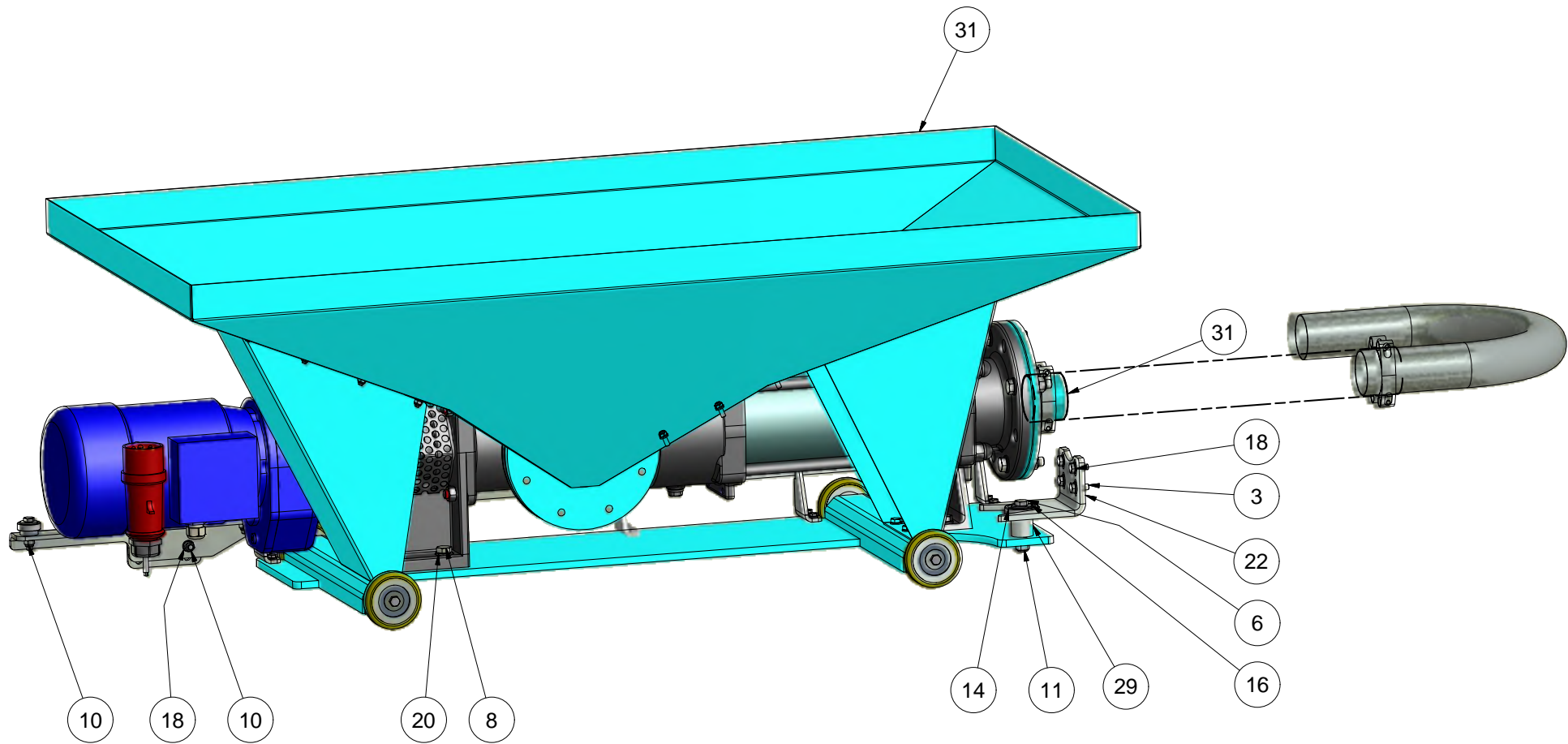
PARTS LIST

ITEM	QTY	PART NUMBER	DESCRIPTION
1	8	11406016	Hexagon bolt M6x16 FZB
2	4	11408016	Hexagon bolt M8x16 FZB
3	8	11408020	Hexagon bolt M8x20 FZB
4	2	11408025	Hexagon bolt M8x25 FZB
5	3	11408040	Hexagon bolt M8x40 FZB
6	1	11410065	Hexagon bolt M10x65 FZB
7	2	11412025	Hexagon bolt M12x25 FZB
8	4	11412035	Hexagon bolt M12x35 FZB
9	4	17906000	Self-locking nut M6 FZB
10	5	17908000	Self-locking nut M8 FZB
11	1	17910000	Self-locking nut M10 FZB
12	4	20406020	Hexagon countersunk head M6x20 FZB
13	3	473014	Bearing < 15x< 32x9
14	1	473038	Bearing < 20x< 47x14
15	4	4809028	Washer SKRB < 9x28x2 FZB
16	1	4811028	Washer SRKB < 11x28x2 FZB
17	12	82106000	Washer M6 FZB
18	15	82108000	Washer M8 FZB
19	1	82110000	Washer M10 FZB
20	6	82112000	Washer M12 FZB
21	3	82608000	Washer < 8,4x24x2 FZB
22	1	M101910	Back guide plate for base
23	3	M101911	Guide for base, bearing Shaft
24	1	M101912	Guide, angle plate
25	1	M101913	Guide bracket
26	1	M101917	Baseplate for pump
27	4	M101918	Bracket for guiderail
28	1	M101919	Guiderail for pump
29	1	M101920	Guide, bearing shaft
30	4	M101945	Wheel < 80 x < 20 - 20mm SH92A
31	1	M101946	Monopump assembly 1, HG 10

Breake all edges

This drawing is property of HEDENSTED GRUPPEN A/S. It is not to be copied, reproduced or disclosed to any third parties.		Scale: 1:10	Not specified tolerance according to: DS/ISO 2768-m	Sheet size: A3
	Part No.: M101921	Material:	Surface properties: No	Sheet: 1/2
	Description 1: Mono Pump assembly 2, HG10			
	Description 2:			

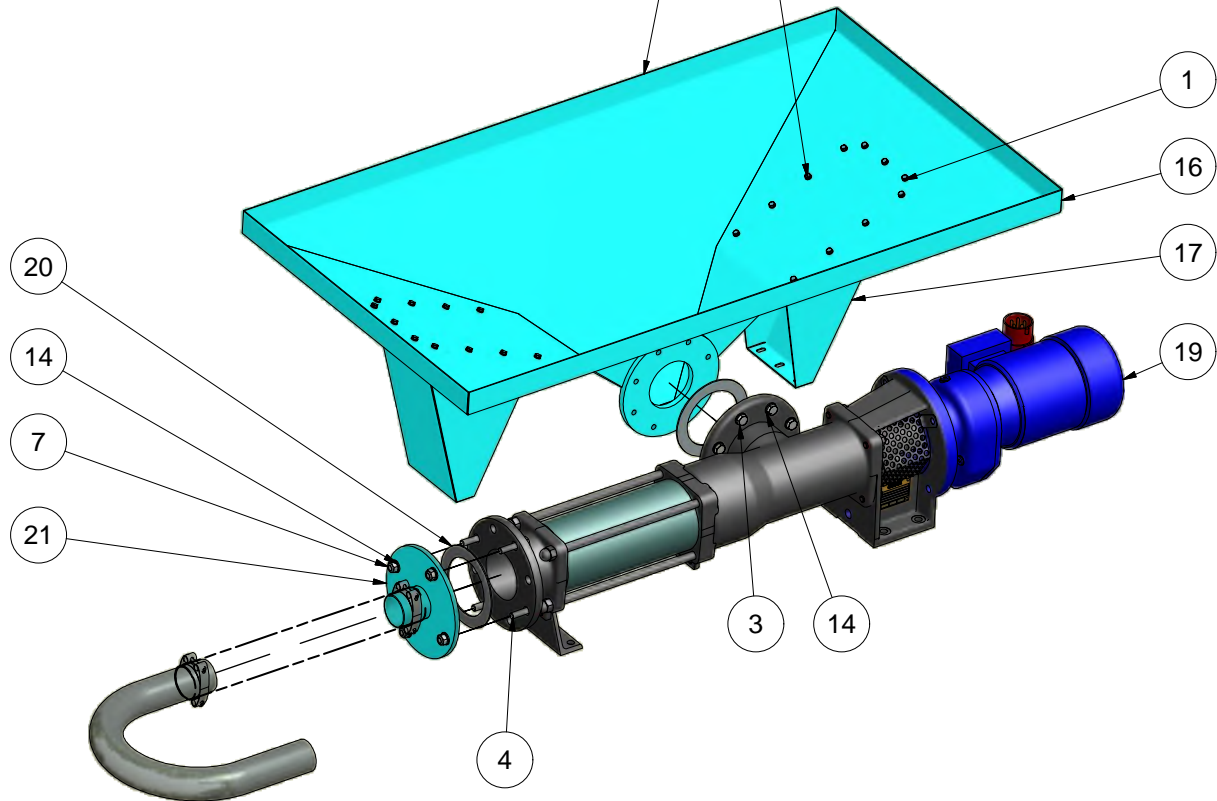
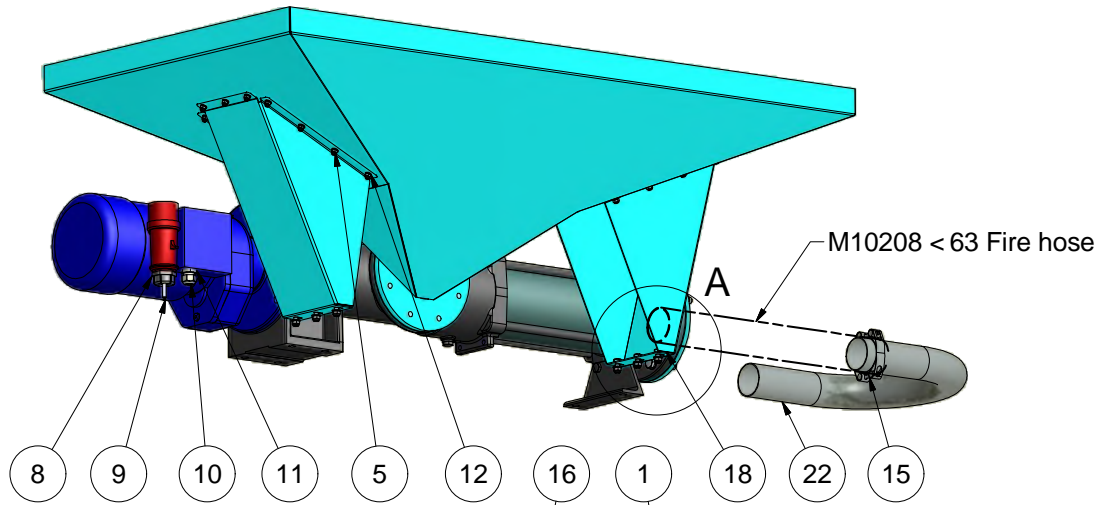
Revision:	Approved	Date:	Revision Description
2	KL	13-12-2016	Middle guide rail bracket removed



Breake all edges

The information on this drawing is the property of HEDENSTED GRUPPEN A/S. It is not to be copied, disseminated or used for any other purpose without the prior written consent of HEDENSTED GRUPPEN A/S.		Scale:	Not specified tolerance according to:	Sheet size:	
		1:10	DS/ISO 2768-m	A3	
			Surface properties:	No	Sheet:
					2 / 2
	Part No.:	Material:			
	M101921				
	Description 1:				
	Mono Pump assembly 2, HG10				
	Description 2:				

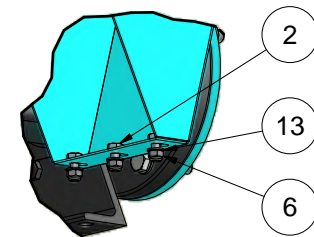
Revision:	Approved	Date:	Revision Description
2	KL	13-12-2016	Middle guide rail bracket removed



PARTS LIST

ITEM	QTY	PART NUMBER	DESCRIPTION
1	22	11406016	Hexagon bolt M6x16 FZB
2	6	11408020	Hexagon bolt M8x20 FZB
3	8	11412035	Hexagon bolt M12x35 FZB
4	4	11412055	Hexagon bolt M12x55 FZB
5	22	17906000	Self-locking nut M6 FZB
6	6	17908000	Self-locking nut M8 FZB
7	4	17912000	Self-locking nut M12 FZB
8	1	50171	Plug CE 16A 5p, Phase inverter
9	1,3 m	600260	Cable JZ 4x1,0mm
10	1	600455	Cabel gland M20 < 5-12
11	1	600475	Nut M20 polyamid
12	44	82106000	Chamfered Washer M6 FZB
13	12	82108000	Chamfered Washer M8 FZB
14	16	82112000	Chamfered Washer M12 FZB
15	2	M100078	Hose clamp ϕ 65mm
16	1	M101914	Funnel for monopump
17	1	M101915	Leg 1 for funnel
18	1	M101916	Leg 2 for funnel
19	1	M101944	Monopump for HG10
20	2	M201450	Gasket for monopump DN100
21	1	M201555	Flange for Pump
22	1	M202015	U-pipe for monopump

A (1 : 5)



Break all edges

HG HEDENSTED GRUPPEN A/S <small>The information on this drawing is confidential and intended for internal use only. It is not to be copied, distributed or used for any other purpose.</small>	Scale:	Not specified tolerance according to:	Sheet size:
	1 : 10	DS/ISO 2768-m	A3
	Surface properties:	No	Sheet:
			1 / 1
Part No.:	Material:		
M101946			
Description 1:	Description 2:		
Monopump assembly 1, HG 10			

Revision:	Approved	Date:	Revision Description
1	KL	12-02-2016	Made

Customer: Hedensted Gruppen A/S

Project: HG 10 roll hotspray 2016.04 - 32A + 2 x 16A

Hedensted Gruppen A/S
Vejlevej 15a
DK-8722 Hedensted
TLF: 75 89 12 44
FAX: 75 89 11 80

VS AUTOMATIC

Ormhøjgårdvej 15
DK-8700 Horsens Tlf. 75641899

Project title: HG 10 roll hotspray 2016.04 - 32A + 2 x 16A

Customer: Hedensted Gruppen A/S

Filename: HG 10 2016.04-32A+2x16A

Last printed: 25-06-2018

11:34:16

Case no.: HG 10 2016

Last checked: 03-01-2018 12:20:48

Page: A

of 42

Index

Information	D
21-08-2012 12:44:52	
Declaration of incorporation	E
30-10-2017 07:54:24	
Main Circuit	1
07-02-2018 13:11:44	
Main Circuit	1.1
25-06-2018 11:28:02	
Main Circuit	2
03-01-2018 12:40:36	
Main Circuit	3
03-01-2018 12:05:50	
Main Circuit	3.1
03-01-2018 12:45:16	
Main Circuit	4
25-06-2018 11:29:16	
Main Circuit	5
06-02-2018 14:37:40	
230VAC & 24VDC Control Circuit	6
25-06-2018 11:30:26	
Emergency stop relay	7
06-02-2018 14:35:30	
Emergency stop Circuit	8
03-01-2018 12:44:06	
Emergency Door stop relay	9
11-01-2018 08:05:04	
21-08-2012 10:47:32	10
Emergency Door stop Circuit	11
20-02-2013 12:32:06	
Overload circuit	12
02-02-2016 08:43:48	
11-10-2011 14:54:30	13
11-10-2011 14:54:26	14
Frequency converter Control circuit	15
03-01-2018 12:29:06	

Index

13-10-2011 13:15:26	16
PLC	17
03-01-2018 12:26:34	
Panel	18
02-02-2016 11:39:06	
PLC Input X0 - X7	19
11-01-2018 08:02:54	
PLC Input X10 - X17	20
02-02-2016 09:53:22	
PLC Input X20 - X27	21
05-02-2016 08:31:50	
PLC Input X30 - X37	22
02-02-2016 09:49:20	
PLC Input X40 - X43	23
20-02-2013 12:52:26	
PLC Output Y0 - Y7	24
11-01-2018 08:05:04	
PLC Output Y10 - Y17	25
05-02-2016 08:35:18	
PLC Output Y20 - Y27	26
05-02-2016 08:42:24	
PLC Output Y30 - Y37	27
07-10-2016 13:54:44	
PLC Output Y40 - Y47	27.1
05-02-2016 08:51:34	
PLC Analog Output	28
10-10-2016 08:49:04	
PLC Analog Output	28.1
10-10-2016 08:52:50	
PLC Analog Output	29
10-10-2016 08:49:50	
18-10-2011 10:09:20	30
PLC list	31
06-09-2016 12:32:34	
Cable list	34
25-06-2018 11:33:58	

Index

Part list

06-02-2018 15:19:52

41

VS AUTOMATIC

Ormhøjgårdvej 15
DK-8700 Horsens Tlf. 75641899

Project title: HG 10 roll hotspray 2016.04 - 32A + 2 x 16A

Customer: Hedensted Gruppen A/S

Filename: HG 10 2016.04-32A+2x16A

Last printed: 25-06-2018

11:34:16

Case no.: HG 10 2016

Last checked: 06-02-2018 15:19:54

Page: D

of 42

Information

WIRE IDENTIFICATION:

The wire is identified with the terminal number of the component.

WIRE COLOUR:

MAIN CIRCUIT:	Phase	Black
	Neutral	Light blue
DC CONTROL CIRCUIT: 24VDC		Dark blue
	0VDC	White

THE FOLLOWING COLOUR ID IS TAKEN FROM DS/EN 60757

BK	BLACK
BN	BROWN
RD	RD
OG	ORANGE
YE	YELLOW
GN	GREEN
BU	BLUE
VT	VIOLET
GY	GREY
WH	WHITE
PK	PINK

ALL SYMBOLS USED IS TAKEN FROM DS/EN 166

VS AUTOMATIC

Ormhøjgårdvej 15
DK-8700 Horsens Tlf. 75641899

Project: HG 10 roll hotspray 2016.04 - 32A + 2 x 16A

Customer: Hedensted Gruppen A/S

Last printed: 25-06-2018

11:34:16

Last checked: 21-08-2012 12:44:52

Case no.: HG 10 2016.04-32A+2x16A

Filename: HG 10 2016

Page: D

of 52

DECLARATION OF INCORPORATION

Directive 2006/42/EF, Annex II, B

Manufacturer

Firm: VS AUTOMATIC A/S
Address: Ormhøjgårdvej 15
DK-8700 Horsens
Phone: +45 75 64 18 99
Fax: +45 75 64 18 09
Email: info@vs-automatic.dk

Herewith declares that

Component: Controlpanel
Type: HG 10 2016.04-32A+2xYear of manufator: 2016

is intended to be incorporated into machinery or to be assembled with other machinery to constitute machinery covered by Directive 2006/42/EC

does therefore not in every respect comply with the provisions of this directive
does comply with the provisions of the following other EC directives

EC directives

EC machine directive 89/392/EEC, as per 91/386/EEC, 93/68/EEC, 93/44/EEC

EC low-voltage directives 73/23/EEC, as per 93/68/EEC, 93/465/EEC

EC EMC directive 89/336/EEC as per 92/31/EEC, 93/68/EEC, 93/465/EEC

Harmonized standards

EN60204-1 Safety of Machinery Electrical Equipment of Machines

EN60439-1 Low-voltage switchgear and controlgear assemblies part 1: Type-tested and partially type-tested assemblies

And furthermore declares that it is not allowed to put the machinery into service until the machinery into which it is to be incorporated or of which it is to be a component has been found and declared to be in conformity with the provisions of Directive 98/37/EC and with national implementation legislation i.e. as a whole, including the machinery referred to in this declaration

Machine: HG 10 roll hotspray 2016.04 - 32A + 2 x 16A
Machine No.:
Type: Year of manufator: 2016
Manufacturer: Hedensted Gruppen A/S

Identification of signature:

Firm: VS AUTOMATIC A/S
Address: Ormhøjgårdvej 15
DK-8700 Horsens

Date: 25-06-2018

Signature



Torben Steffensen

VS AUTOMATIC

Ormhøjgårdvej 15
DK-8700 Horsens
Tlf. 75641899

Type: Hedensted Gruppen A/S

Project: HG 10 roll hotspray 2016.04 - 32A +

Printed: 25-06-2018

11:34:16

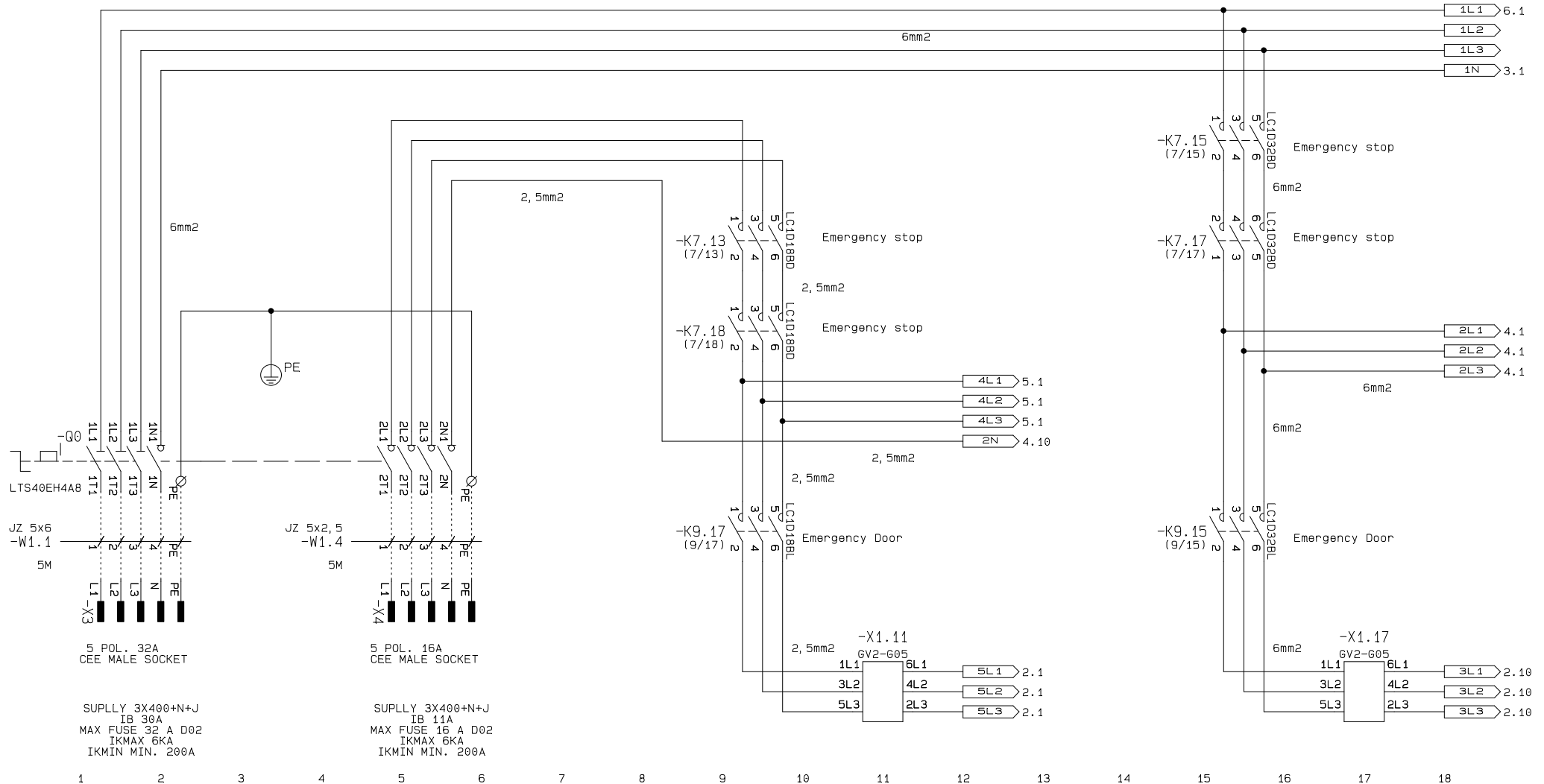
Changed: 30-10-2017 07:54:24

File: HG 10 2016.04-32A+2x16A

Case no.: HG 10 2016

Page: E

of 42



1 2 3 4 5 6 7 8 9 10 11 12 13 14 15 16 17 18

600X600X300 TO ELEKTRIK CONTROL
MAS0606030R5 ELDON

600X800X300 TO ELEKTRIK CONTROL
MAS0608030R5 ELDON

600X600X300 TO AIR CONTROL
MAS0606030R5 ELDON



Tlf. 75 64 18 99 - vs-automatic.dk

En del af TS GRUPPEN - Danmarks stærkeste El & Energi Installatører

Customer: Hedensted Gruppen A/S

Project: HG 10 roll hot spray 2016.04 - 32A + 2 x 16A

Pagetitle: Main Circuit

Designer: TBT

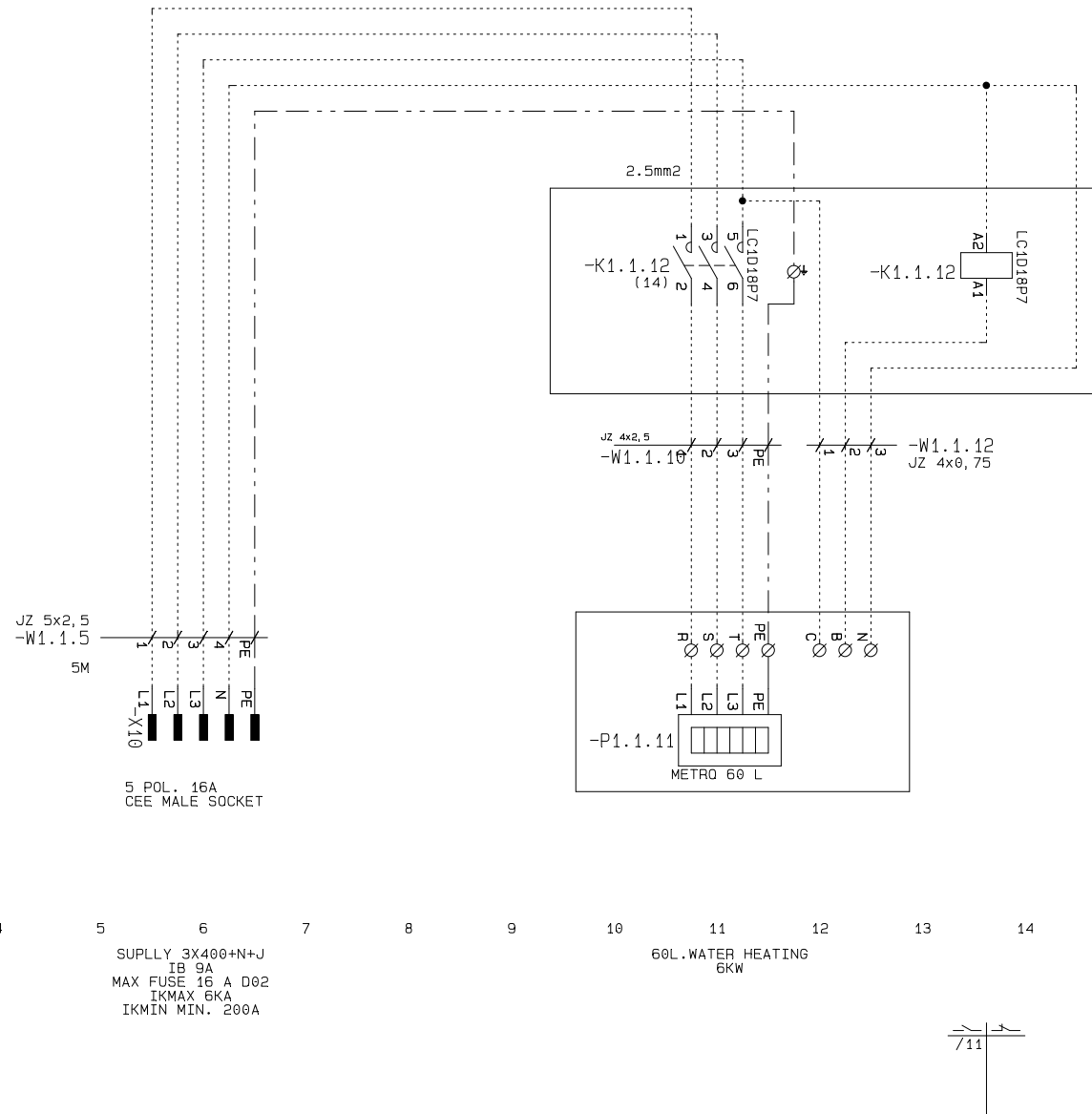
Last prt: 25-06-2018

Last changed: 07-02-2018

Case no: HG 10 2016.04-32A+2x16A

Page ref.:

Page: 1 of 42



1 2 3 4 5 6 7 8 9 10 11 12 13 14 15 16 17 18

SUPLY 3X400+N+J
IB 9A
MAX FUSE 16 A D02
IKMAX 6KA
IKMIN MIN. 200A

60L WATER HEATING
6KW

7/11



Tlf. 75 64 18 99 - vs-automatic.dk

En del af TS GRUPPEN - Danmarks stærkeste El & Energi Installatør

Customer: Hedensted Gruppen A/S

Project: HG 10 roll hot spray 2016.04 - 32A + 2 x 16A

Page title: Main Circuit

Designer: TBT

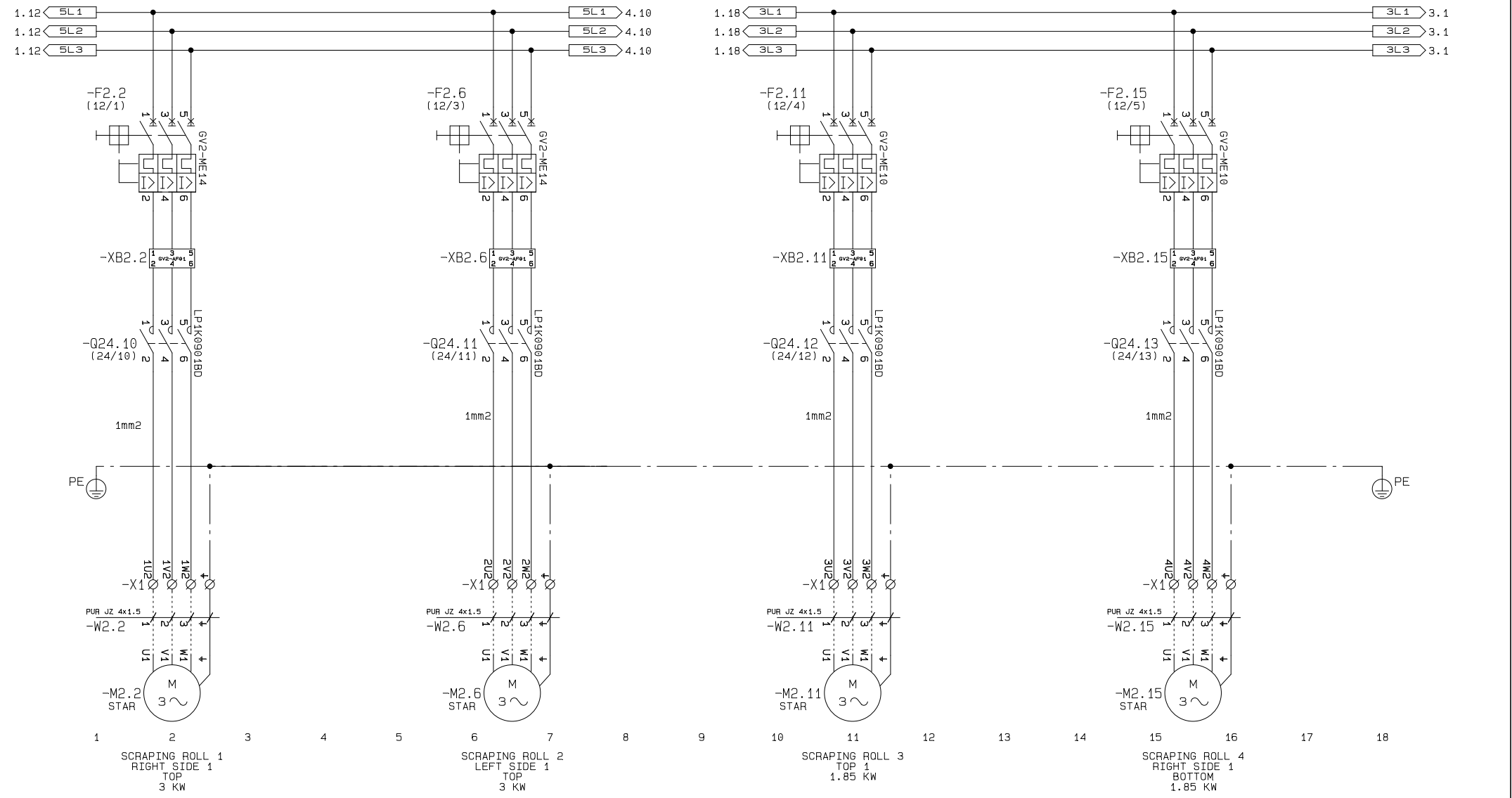
Last prt: 25-06-2018

Last changed: 25-06-2018

Case no: HG 10 2016.04-32A+2x16A

Page ref.:

Page: 1.1 of 42



Tlf. 75 64 18 99 - vs-automatic.dk

En del af TS GRUPPEN - Danmarks stærkeste El & Energi Installatører

Customer: Hedensted Gruppen A/S

Project: HG 10 roll hot spray 2016.04 - 32A + 2 x 16A

Pagetitle: Main Circuit

Designer: TBT

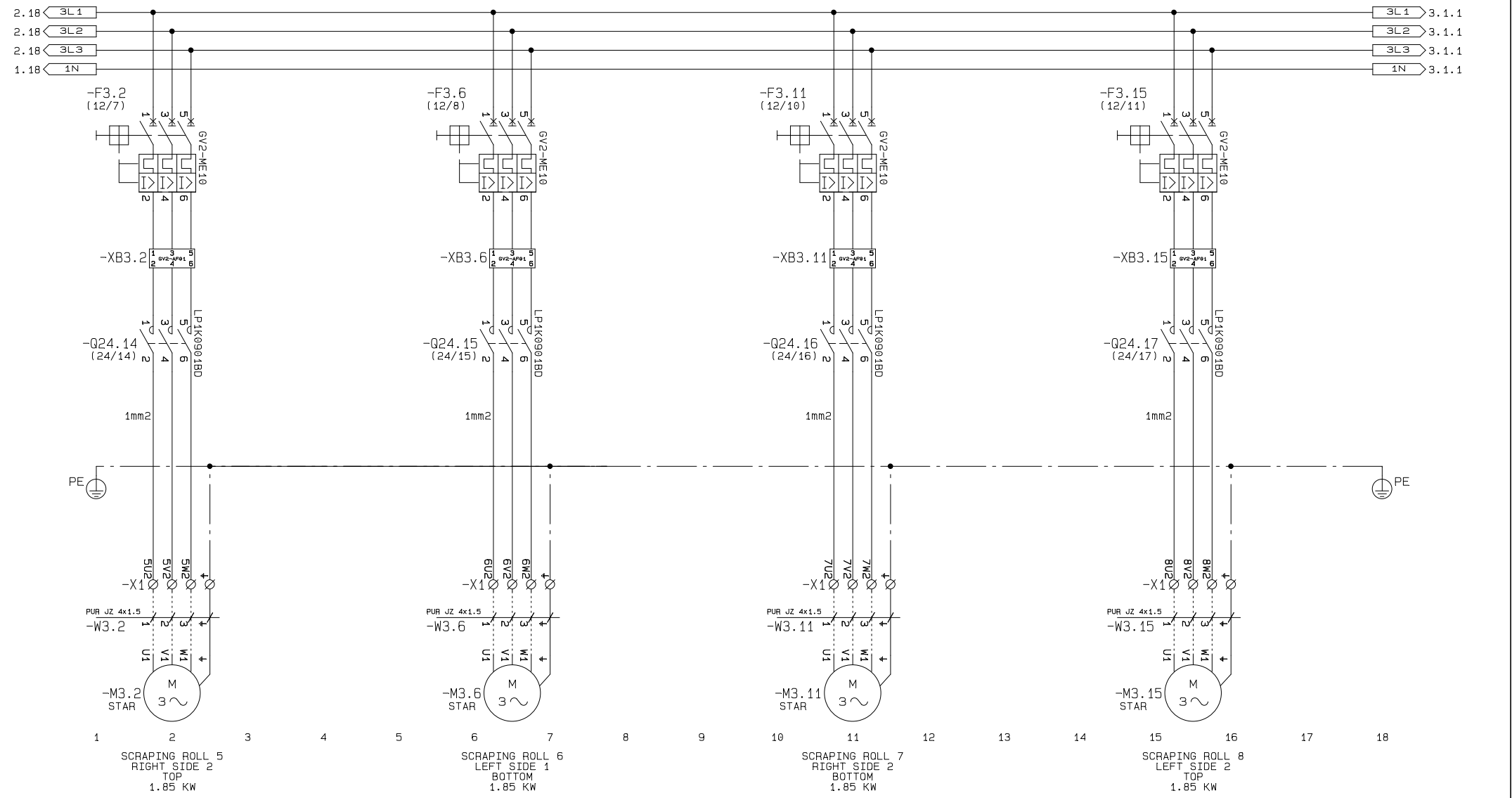
Last prt: 25-06-2018

Last changed: 03-01-2018

Case no: HG 10 2016.04-32A+2x16A

Page ref.:

Page: 2 of 42



Tlf. 75 64 18 99 - vs-automatic.dk

En del af TS GRUPPEN - Danmarks stærkeste El & Energi Installatører

Customer: Hedensted Gruppen A/S

Project: HG 10 roll hotspray 2016.04 - 32A + 2 x 16A

Pagetitle: Main Circuit

Designer: TBT

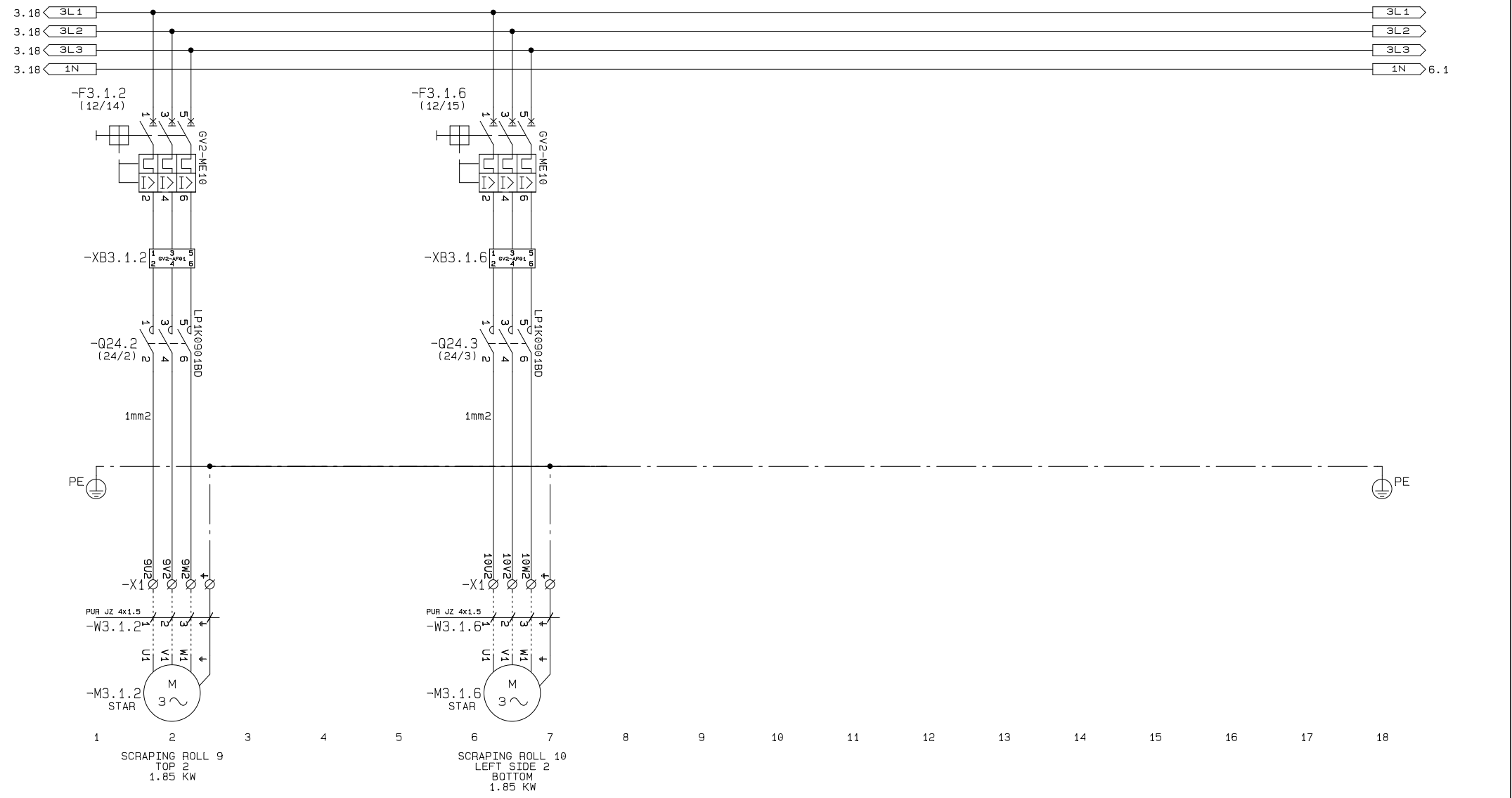
Last prt: 25-06-2018

Last changed: 03-01-2018

Case no: HG 10 2016.04-32A+2x16A

Page ref.:

Page: 3 of 42



Tlf. 75 64 18 99 - vs-automatic.dk

En del af TS GRUPPEN - Danmarks stærkeste El & Energi Installatør

Customer: Hedensted Gruppen A/S

Project: HG 10 roll hot spray 2016.04 - 32A + 2 x 16A

Pagetitle: Main Circuit

Designer: TBT

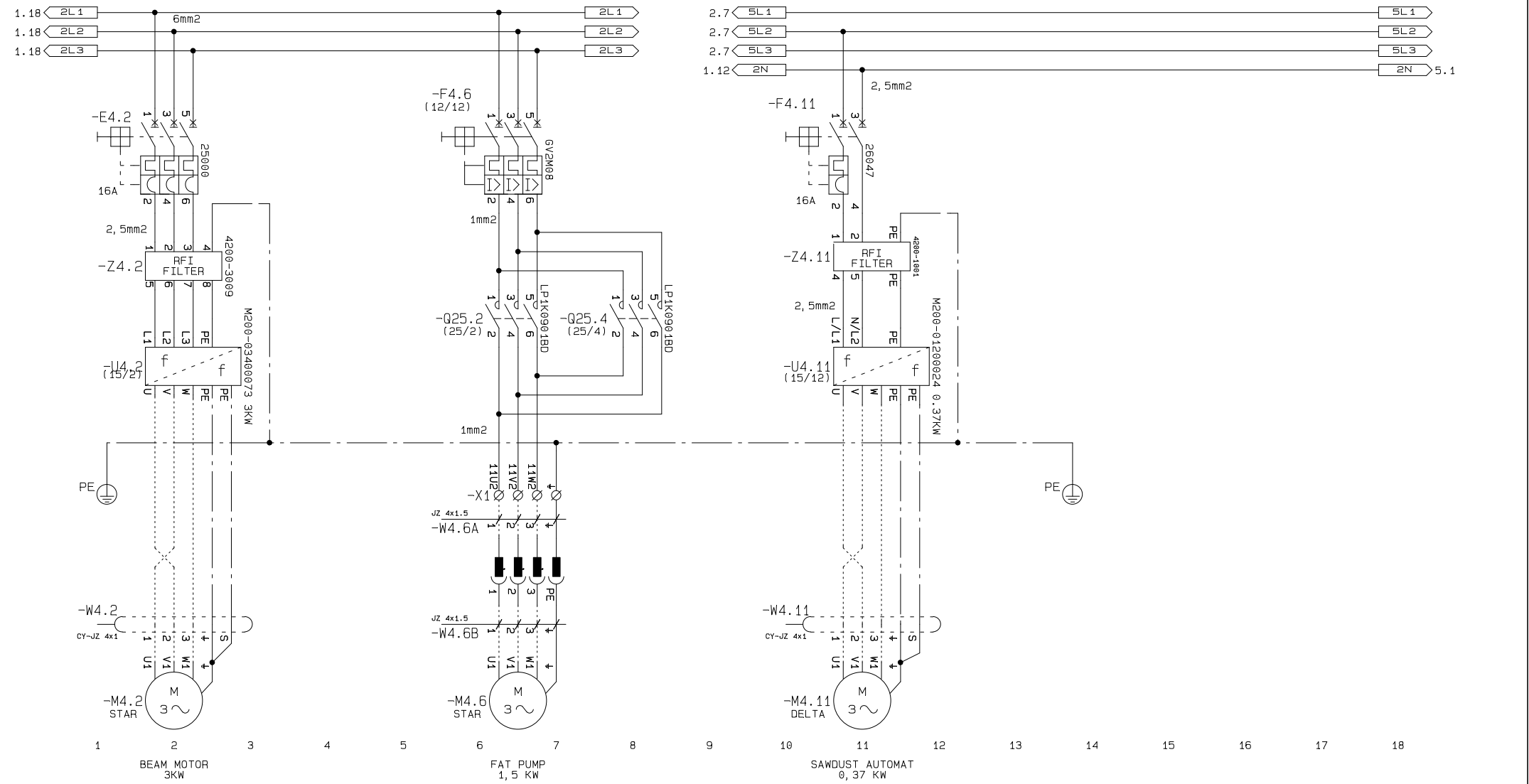
Last prt: 25-06-2018

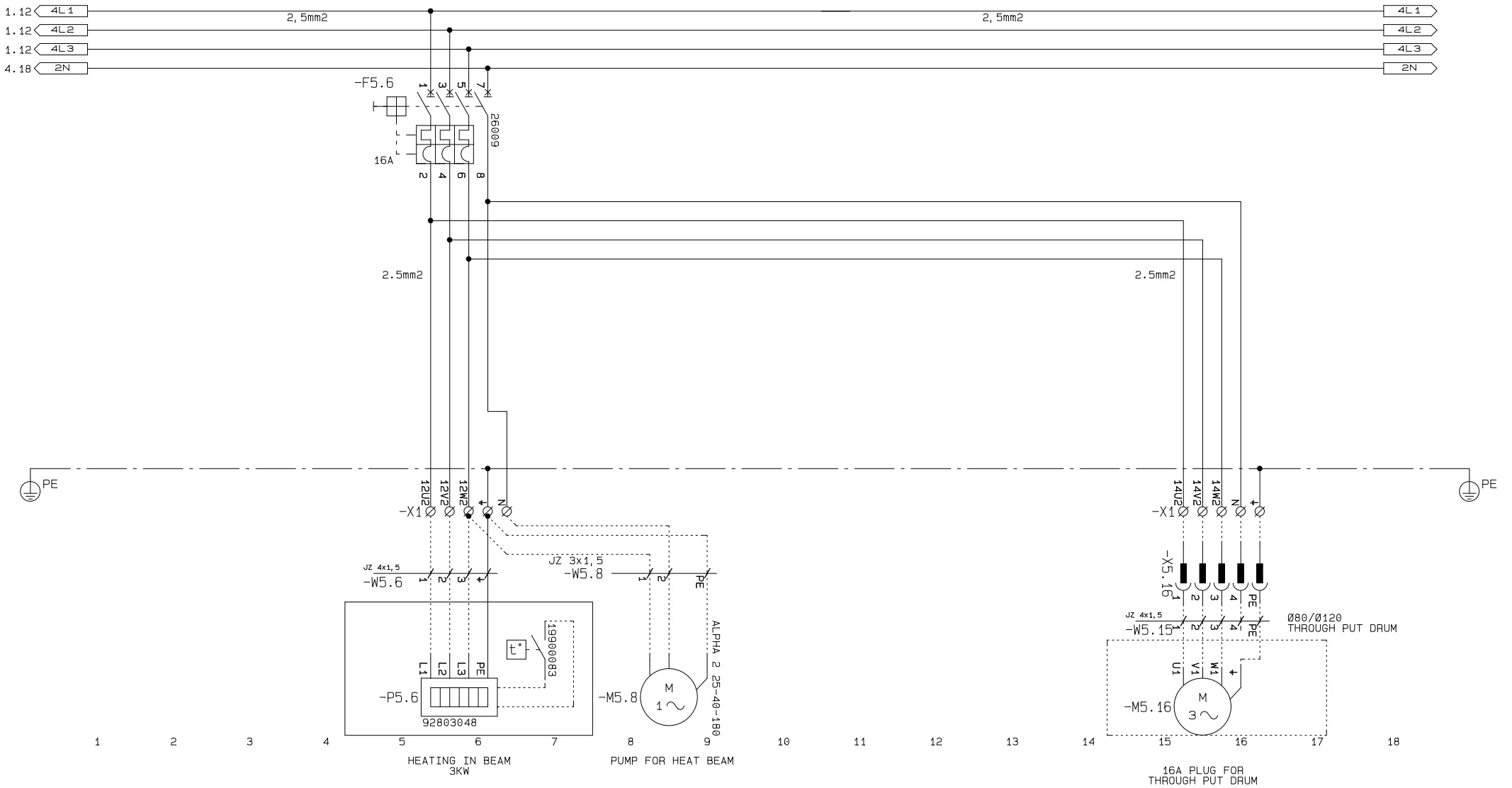
Last changed: 03-01-2018

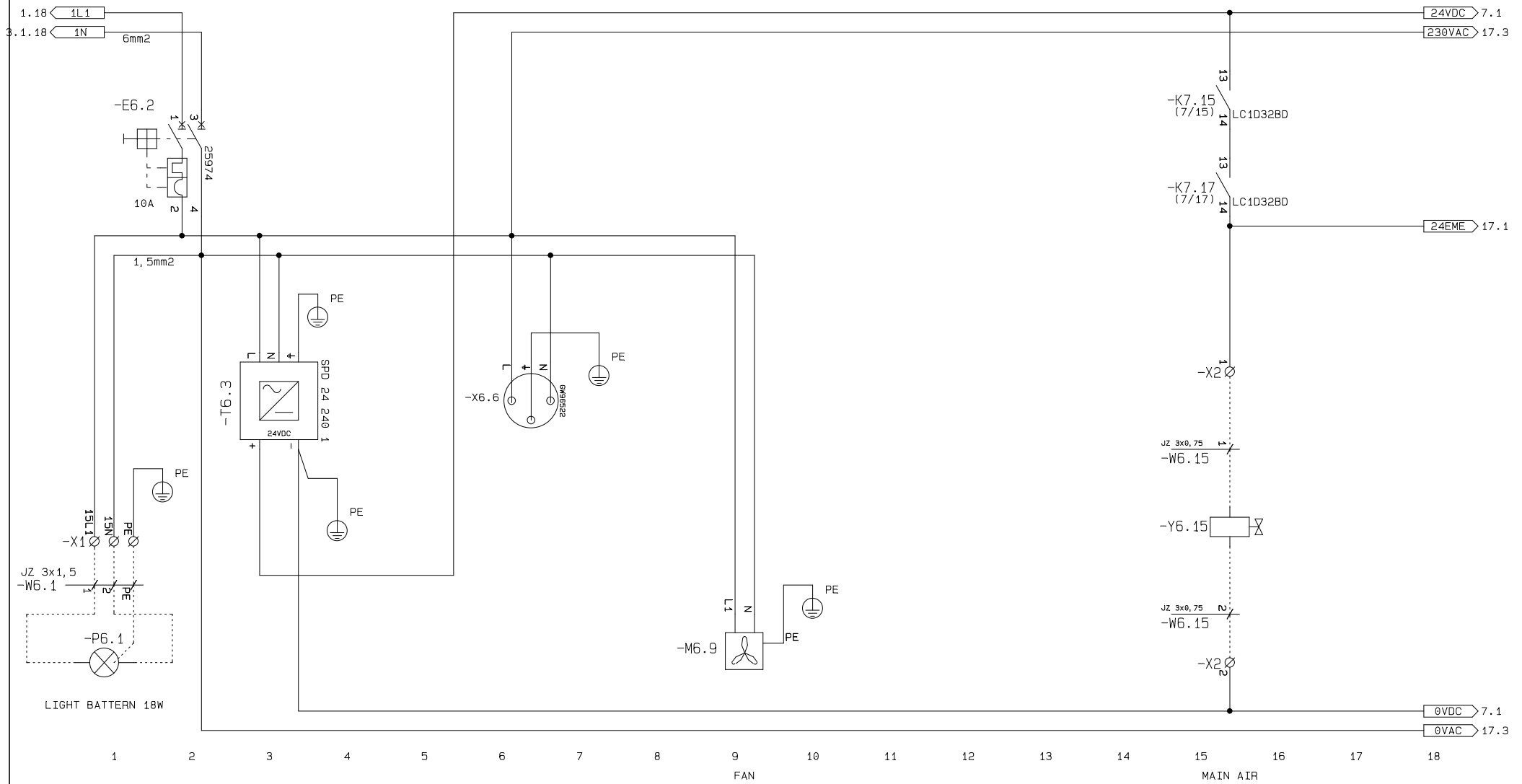
Case no: HG 10 2016.04-32A+2x16A

Page ref.:

Page: 3.1 of 42







Tlf. 75 64 18 99 - vs-automatic.dk

En del af TS GRUPPEN - Danmarks stærkeste El & Energi Installatører

Customer: Hedensted Gruppen A/S

Project: HG 10 roll hot spray 2016.04 - 32A + 2 x 16A

Page title: 230VAC & 24VDC Control Circuit

Designer: TBT

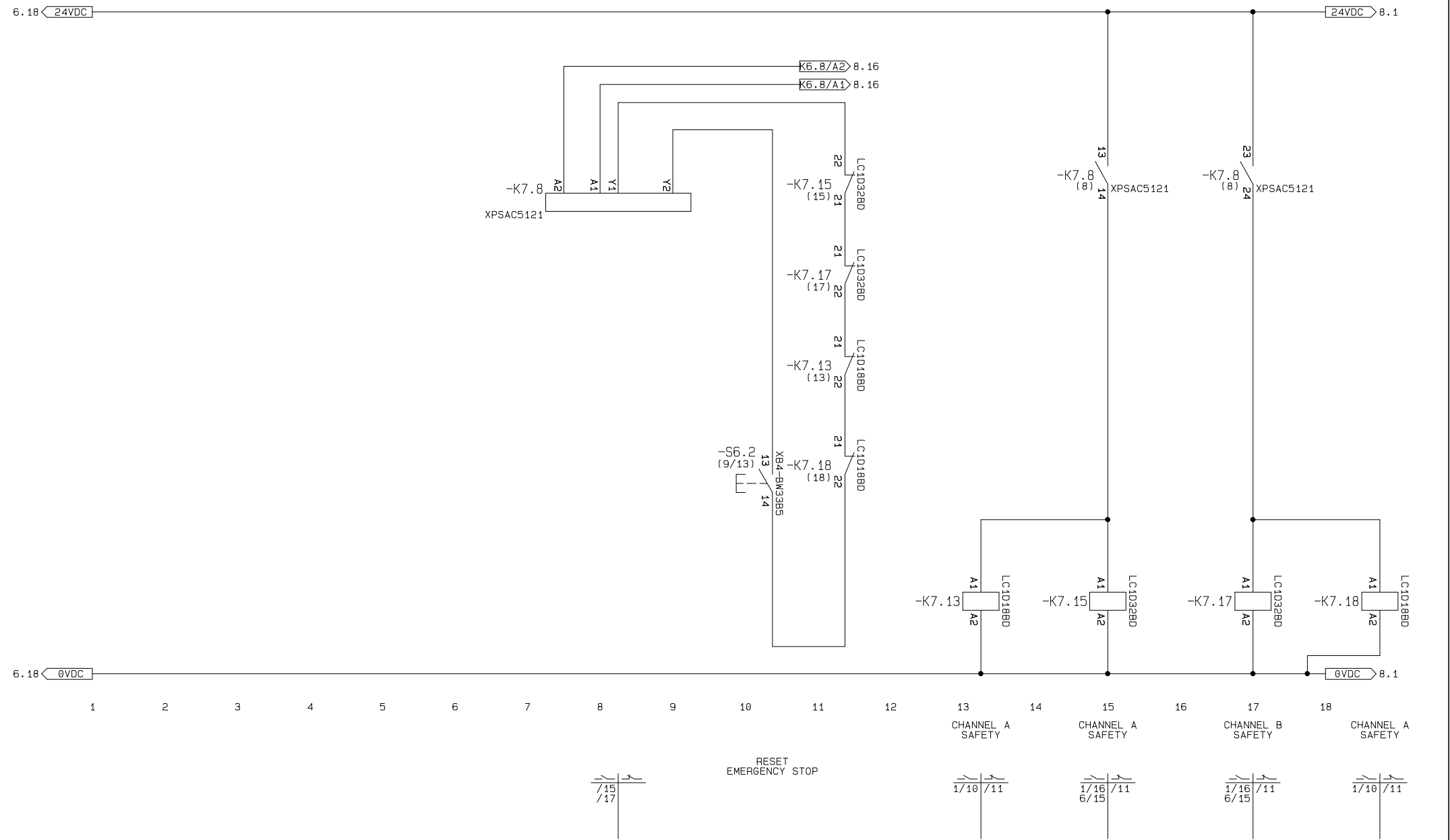
Last prt: 25-06-2018

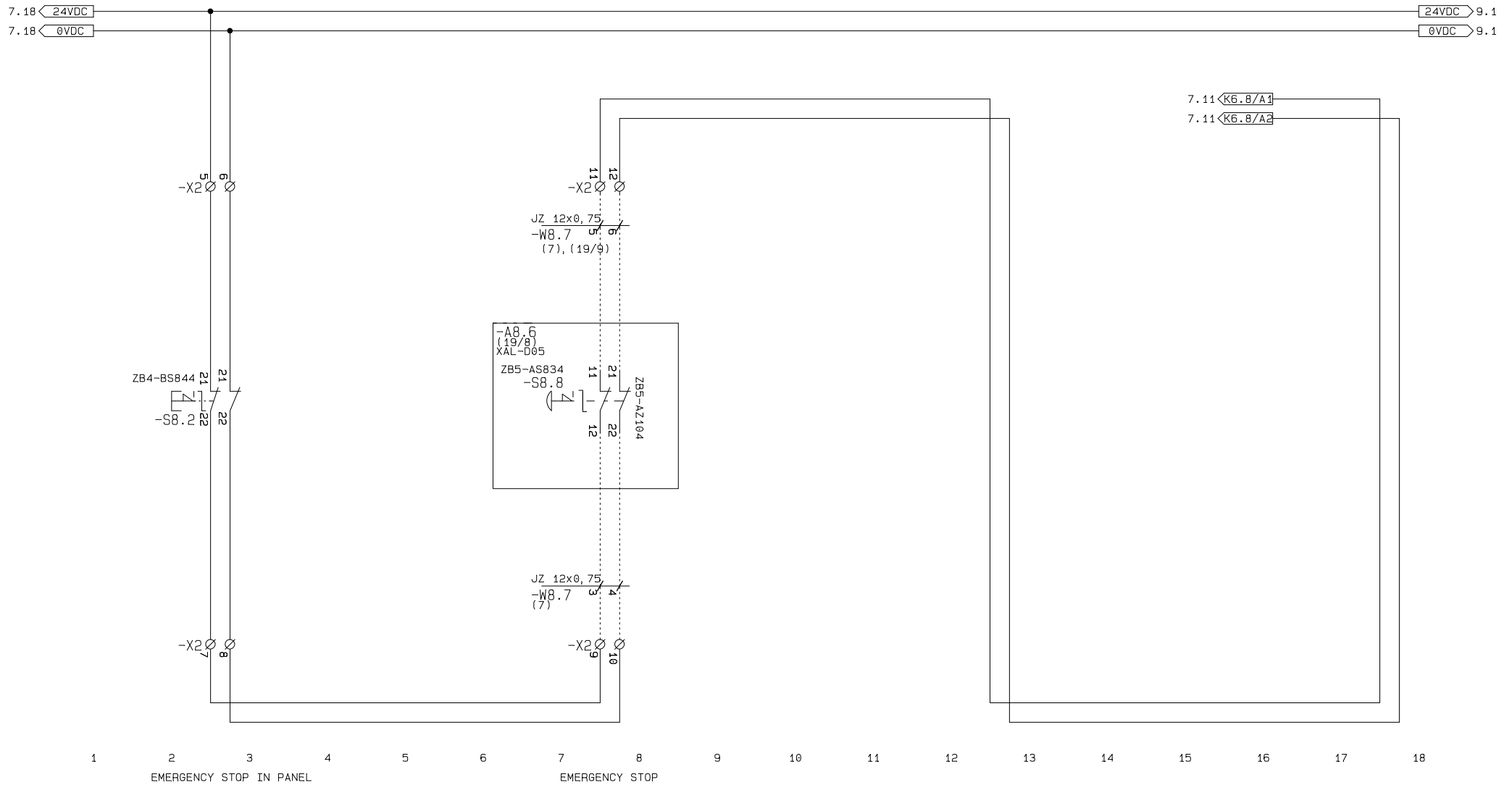
Last changed: 25-06-2018

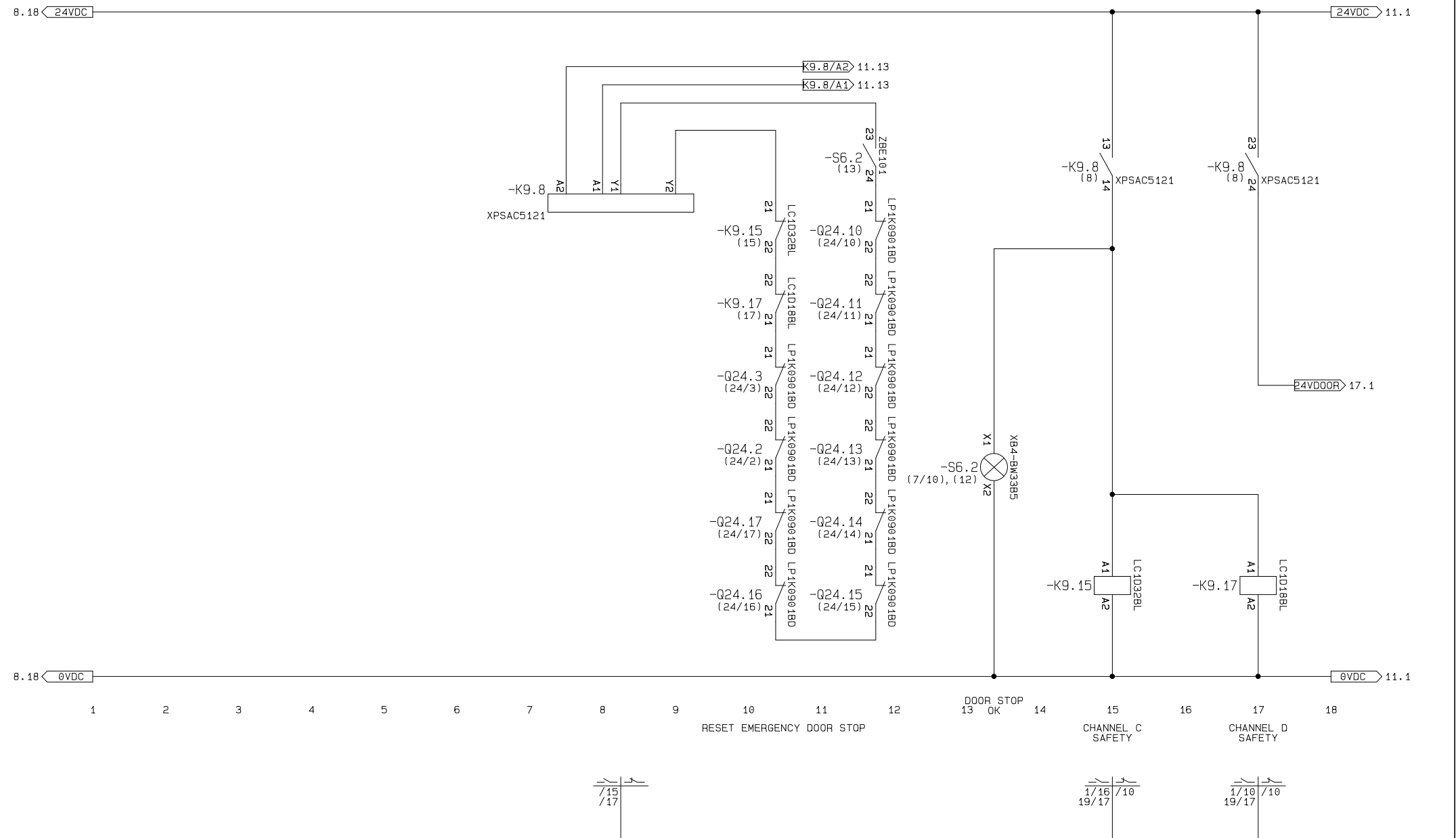
Case no: HG 10 2016.04-32A+2x16A

Page ref.:

Page: 6 of 42







1 2 3 4 5 6 7 8 9 10 11 12 13 14 15 16 17 18



Tlf. 75 64 18 99 - vs-automatic.dk

En del af **TS GRUPPEN** - Danmarks stærkeste El & Energi Installatører

Customer: Hedensted Gruppen A/S

Project: HG 10 roll hot spray 2016.04 - 32A + 2 x 16A

Page title:

Designer: TBT

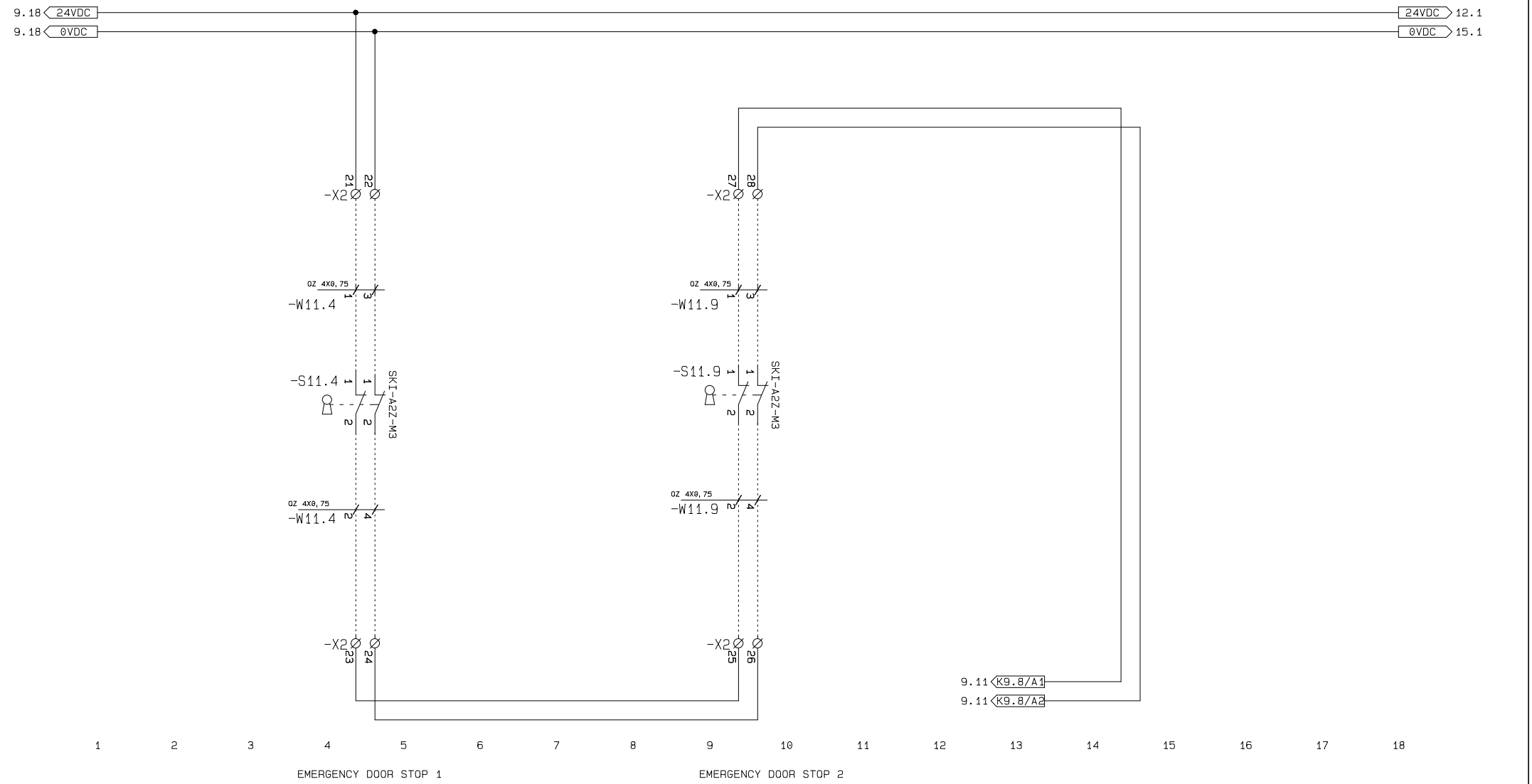
Last prt: 25-06-2018

Last changed: 21-08-2012

Case no: HG 10 2016.04-32A+2x16A

Page ref.:

Page: 10 of 42



Tlf. 75 64 18 99 - vs-automatic.dk

En del af TS GRUPPEN - Danmarks stærkeste El & Energi Installatører

Customer: Hedensted Gruppen A/S

Project: HG 10 roll hot spray 2016.04 - 32A + 2 x 16A

Page title: Emergency Door stop Circuit

Designer: TBT

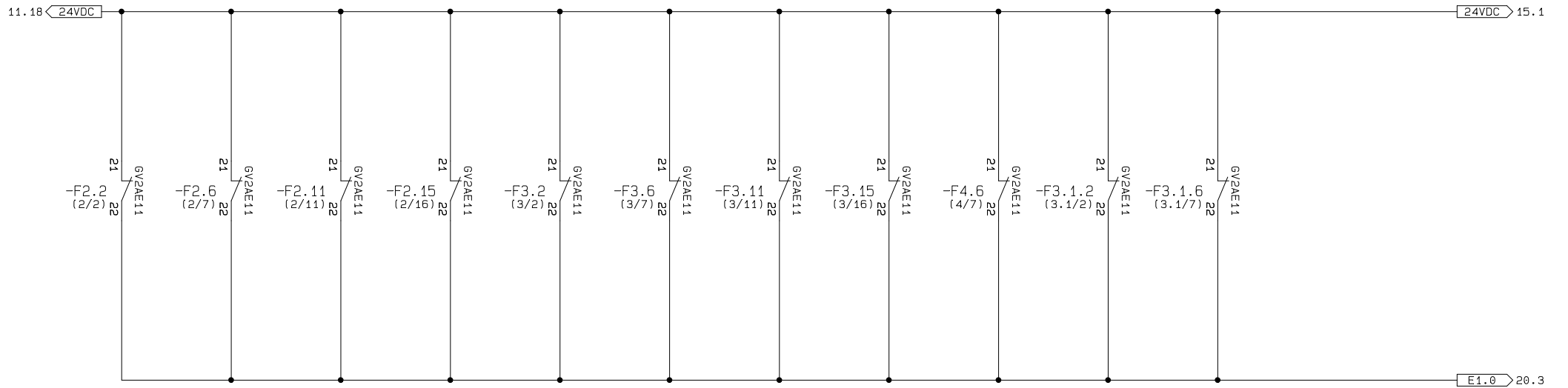
Last prt: 25-06-2018

Last changed: 20-02-2013

Case no: HG 10 2016.04-32A+2x16A

Page ref.:

Page: 11 of 42



1 2 3 4 5 6 7 8 9 10 11 12 13 14 15 16 17 18



Tlf. 75 64 18 99 - vs-automatic.dk

En del af TS GRUPPEN - Danmarks stærkeste El & Energi Installatører

Customer: Hedensted Gruppen A/S

Project: HG 10 roll hot spray 2016.04 - 32A + 2 x 16A

Page title: Overload circuit

Designer: TBT

Last prt: 25-06-2018

Last changed: 02-02-2016

Case no: HG 10 2016.04-32A+2x16A

Page ref.:

Page: 12 of 42

1 2 3 4 5 6 7 8 9 10 11 12 13 14 15 16 17 18



Tlf. 75 64 18 99 - vs-automatic.dk

En del af **TS GRUPPEN** - Danmarks stærkeste El & Energi Installatører

Customer: Hedensted Gruppen A/S

Project: HG 10 roll hot spray 2016.04 - 32A + 2 x 16A

Page title:

Designer: TBT

Last prt: 25-06-2018

Last changed: 11-10-2011

Case no: HG 10 2016.04-32A+2x16A

Page ref.:

Page: 13 of 42

1 2 3 4 5 6 7 8 9 10 11 12 13 14 15 16 17 18



Tlf. 75 64 18 99 - vs-automatic.dk

En del af **TS GRUPPEN** - Danmarks stærkeste El & Energi Installatører

Customer: Hedensted Gruppen A/S

Project: HG 10 roll hot spray 2016.04 - 32A + 2 x 16A

Page title:

Designer: TBT

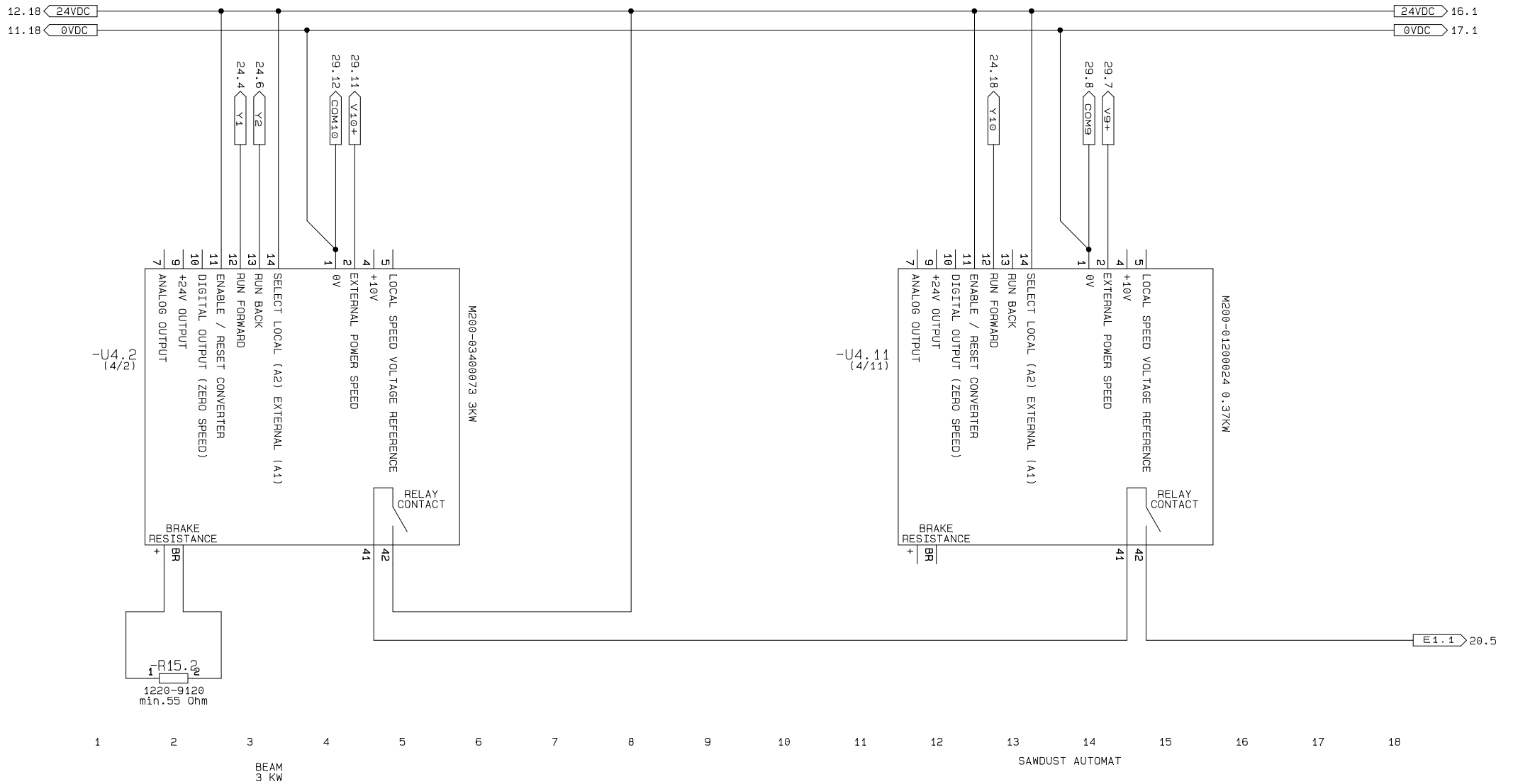
Last prt: 25-06-2018

Last changed: 11-10-2011

Case no: HG 10 2016.04-32A+2x16A

Page ref.:

Page: 14 of 42



15.18 < 24VDC

24VDC > 17.1

1 2 3 4 5 6 7 8 9 10 11 12 13 14 15 16 17 18

VS AUTOMATIC

Tlf. 75 64 18 99 - vs-automatic.dk

En del af **TS GRUPPEN** - Danmarks stærkeste El & Energi Installatører

Customer: Hedensted Gruppen A/S

Project: HG 10 roll hotspray 2016.04 - 32A + 2 x 16A

Pagetitle:

Designer: TBT

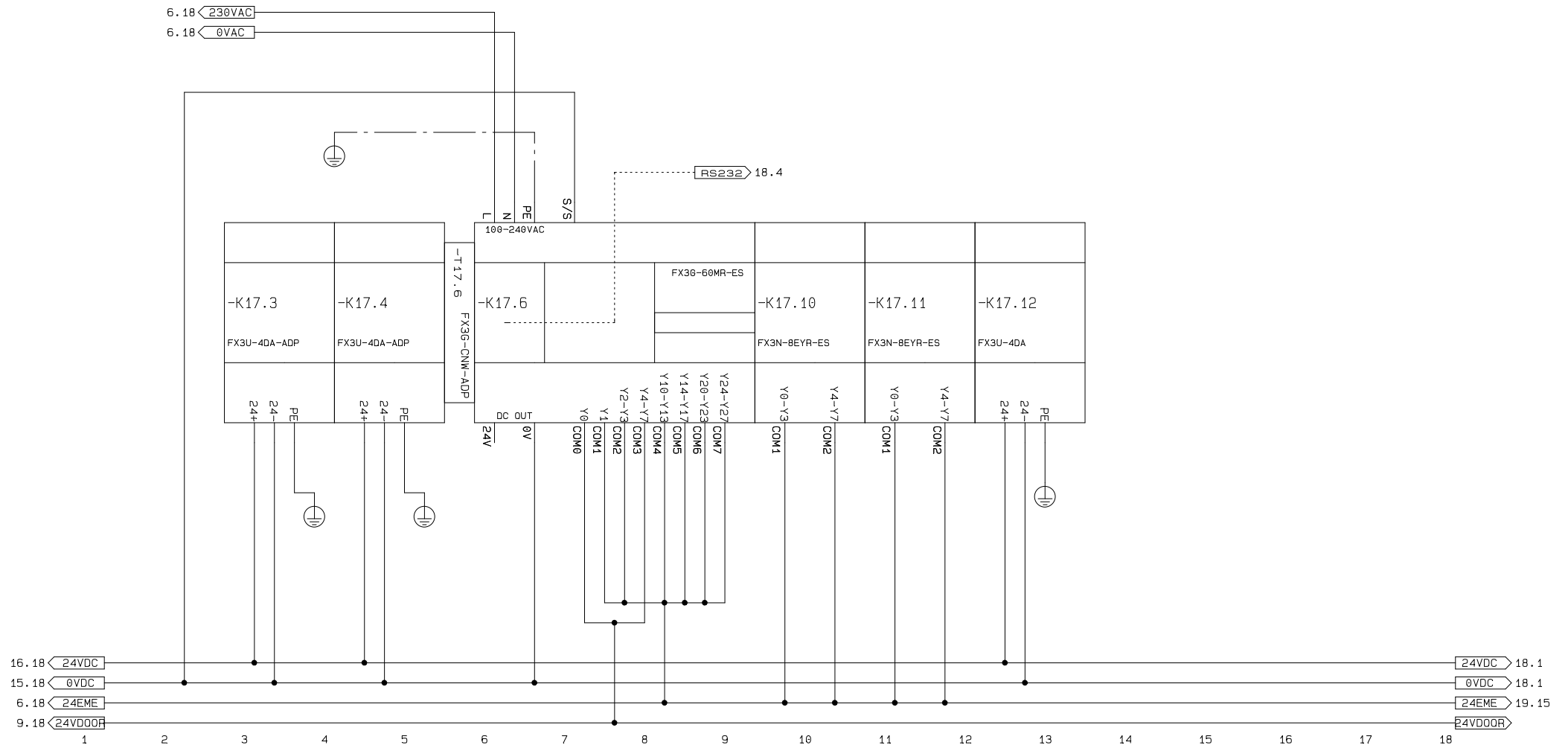
Last prt: 25-06-2018

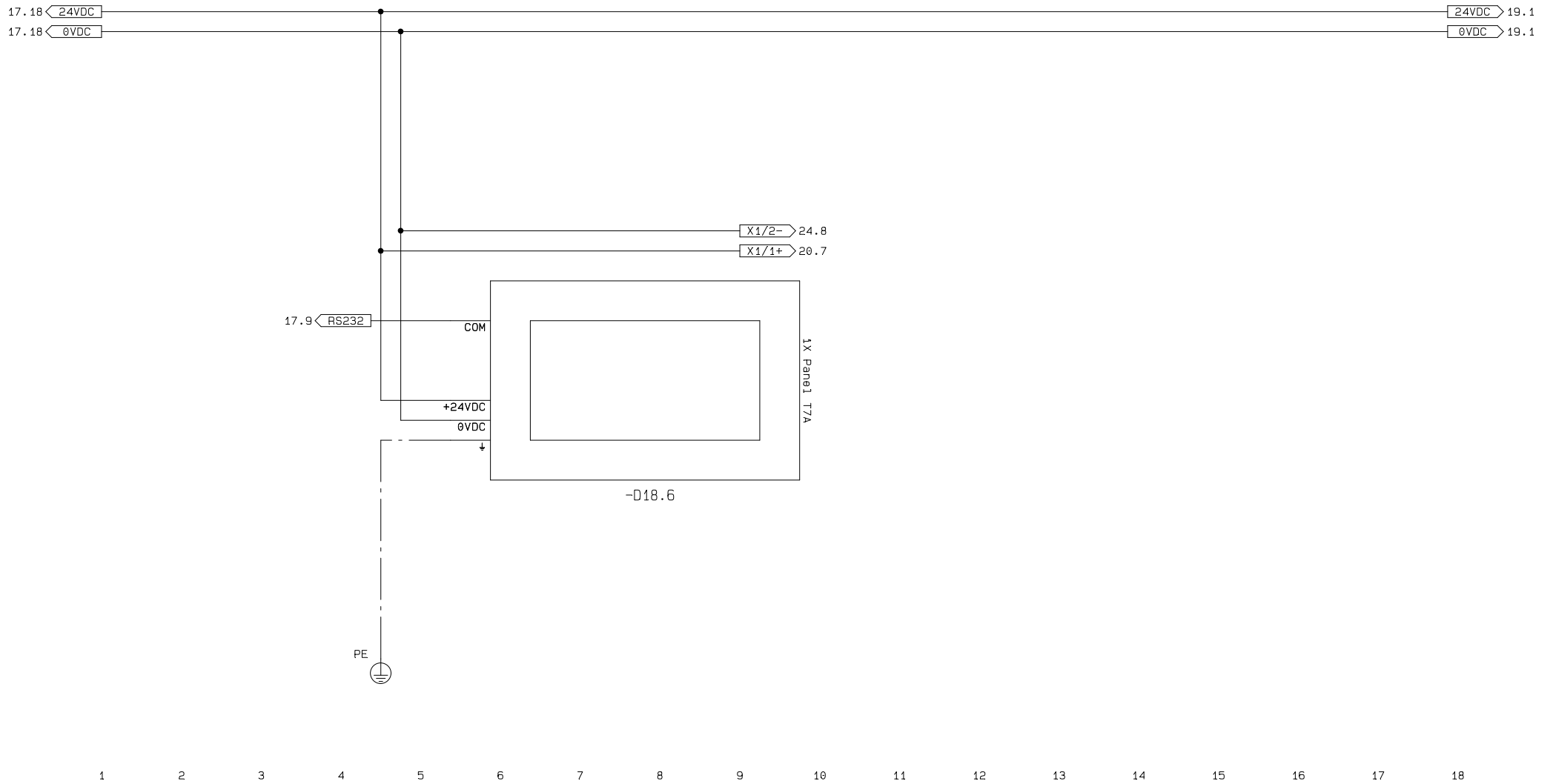
Last changed: 13-10-2011

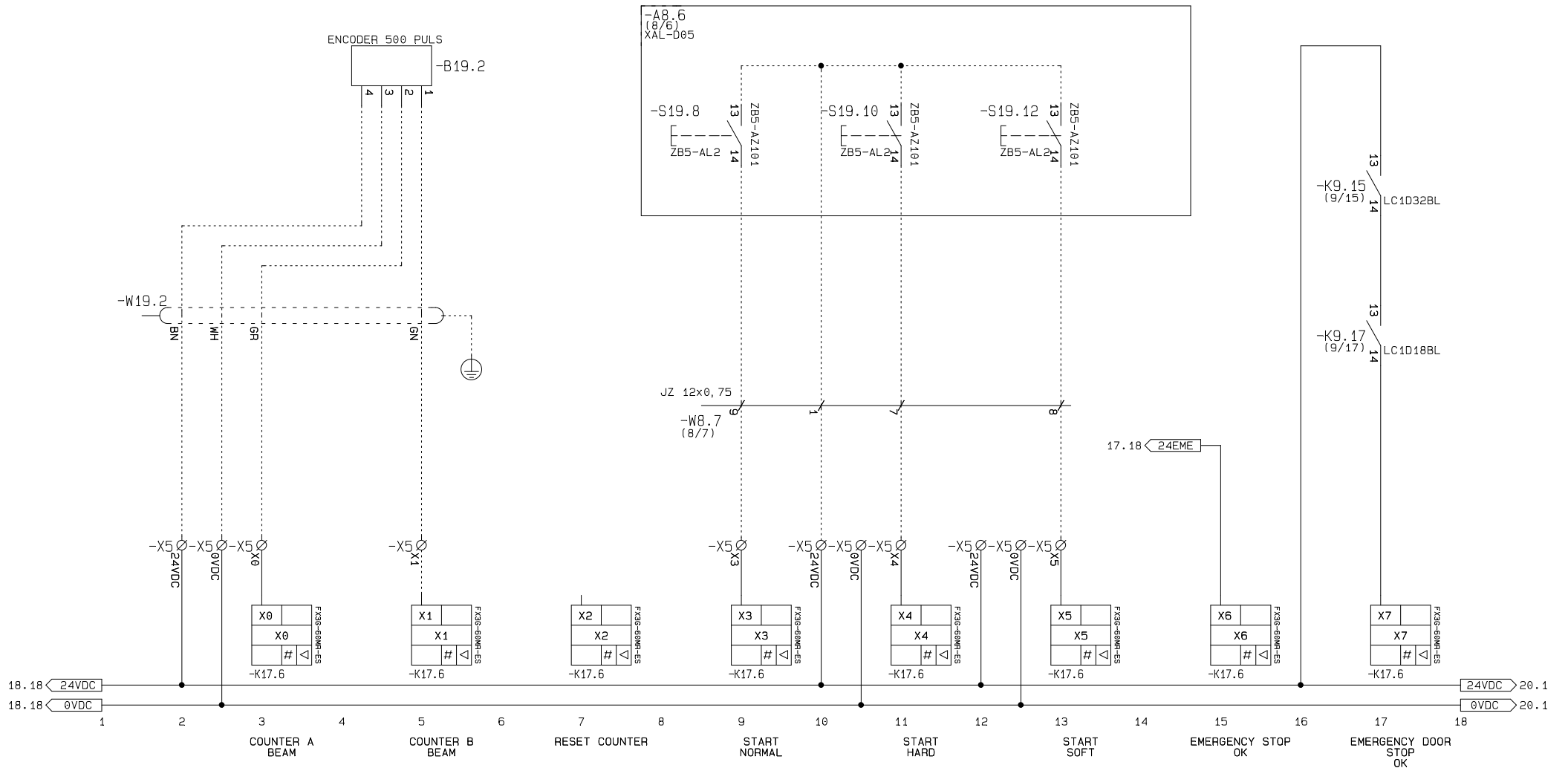
Case no:HG 10 2016.04-32A+2x16A

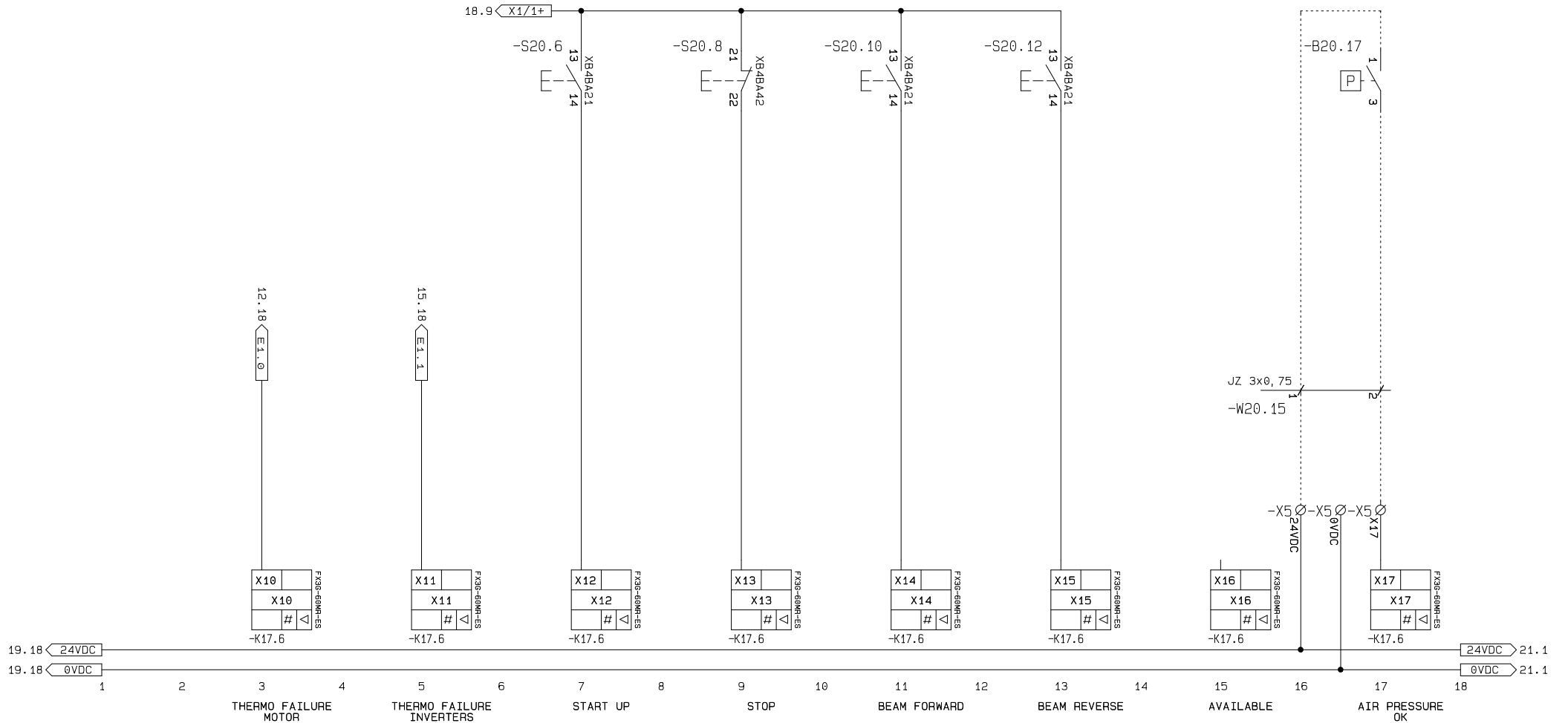
Page ref.:

Page: 16 of 42









Tlf. 75 64 18 99 - vs-automatic.dk

En del af TS GRUPPEN - Danmarks stærkeste El & Energi Installatører

Customer: Hedensted Gruppen A/S

Project: HG 10 roll hot spray 2016.04 - 32A + 2 x 16A

Page title: PLC Input X10 - X17

Designer: TBT

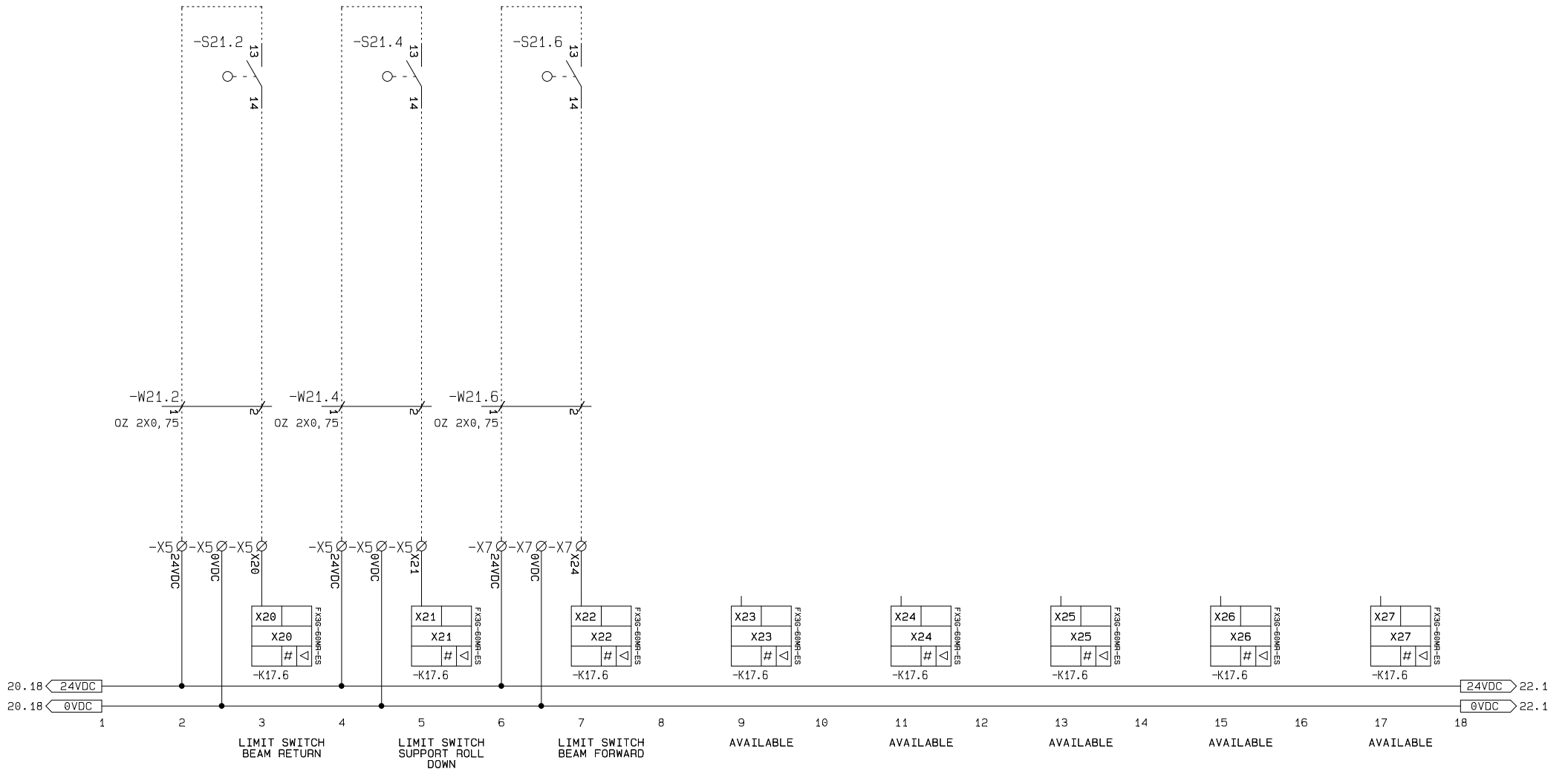
Last prt: 25-06-2018

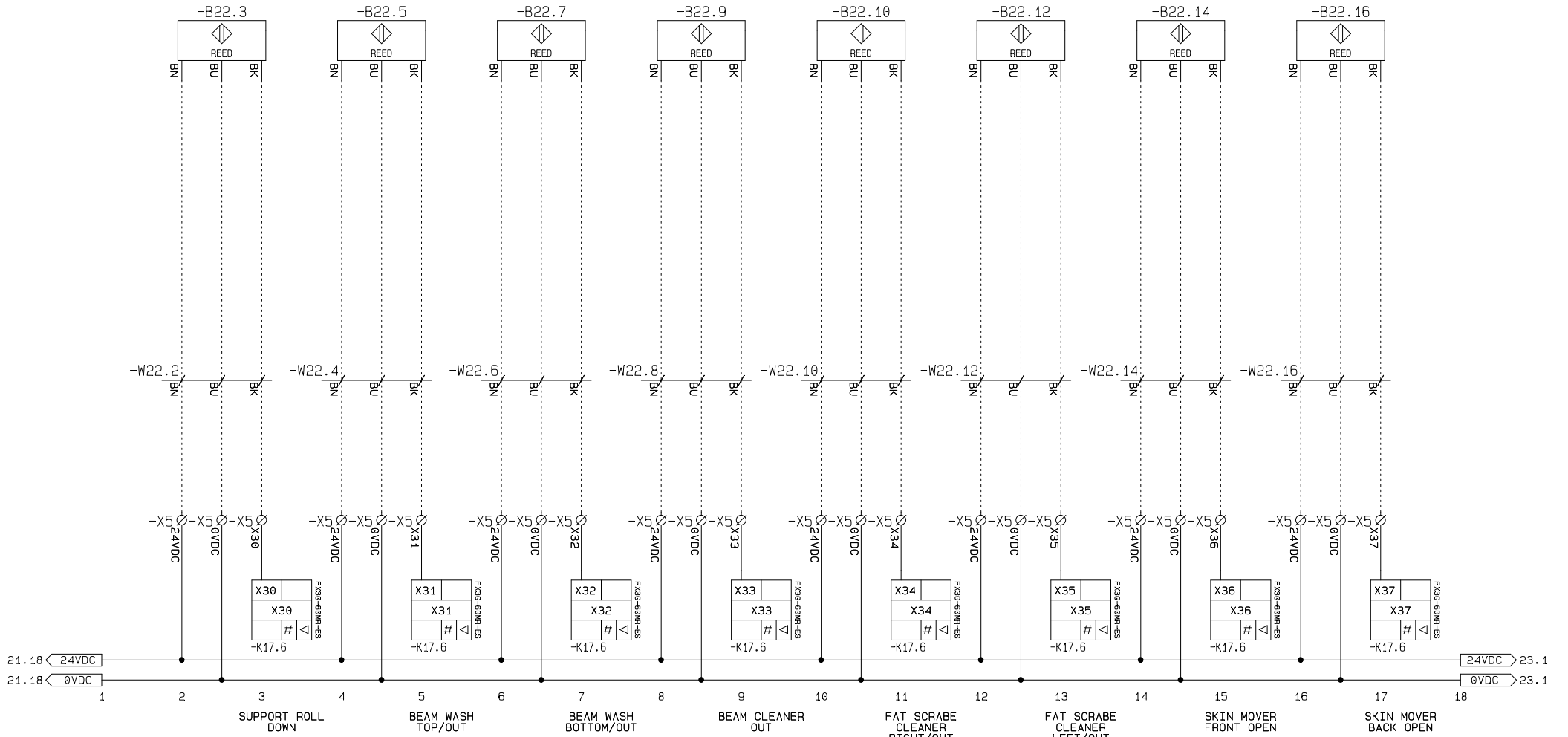
Last changed: 02-02-2016

Case no: HG 10 2016.04-32A+2x16A

Page ref.:

Page: 20 of 42





Tlf. 75 64 18 99 - vs-automatic.dk

En del af TS GRUPPEN - Danmarks stærkeste El & Energi Installatører

Customer: Hedensted Gruppen A/S

Project: HG 10 roll hot spray 2016.04 - 32A + 2 x 16A

Pagetitle: PLC Input X30 - X37

Designer: TBT

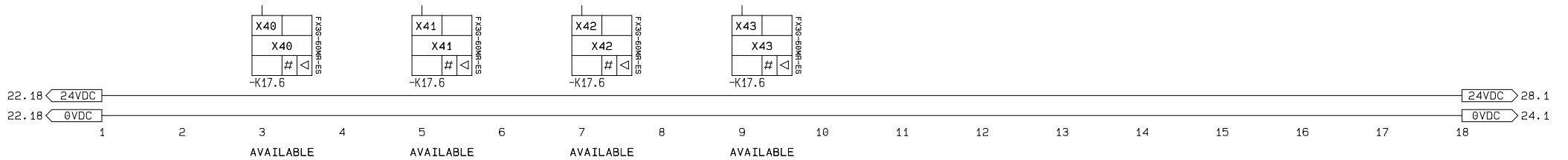
Last prt: 25-06-2018

Last changed: 02-02-2016

Case no: HG 10 2016.04-32A+2x16A

Page ref.:

Page: 22 of 42



Tlf. 75 64 18 99 - vs-automatic.dk

En del af TS GRUPPEN - Danmarks stærkeste El & Energi Installatør

Customer: Hedensted Gruppen A/S

Project: HG 10 roll hot spray 2016.04 - 32A + 2 x 16A

Page title: PLC Input X40 - X43

Designer: TBT

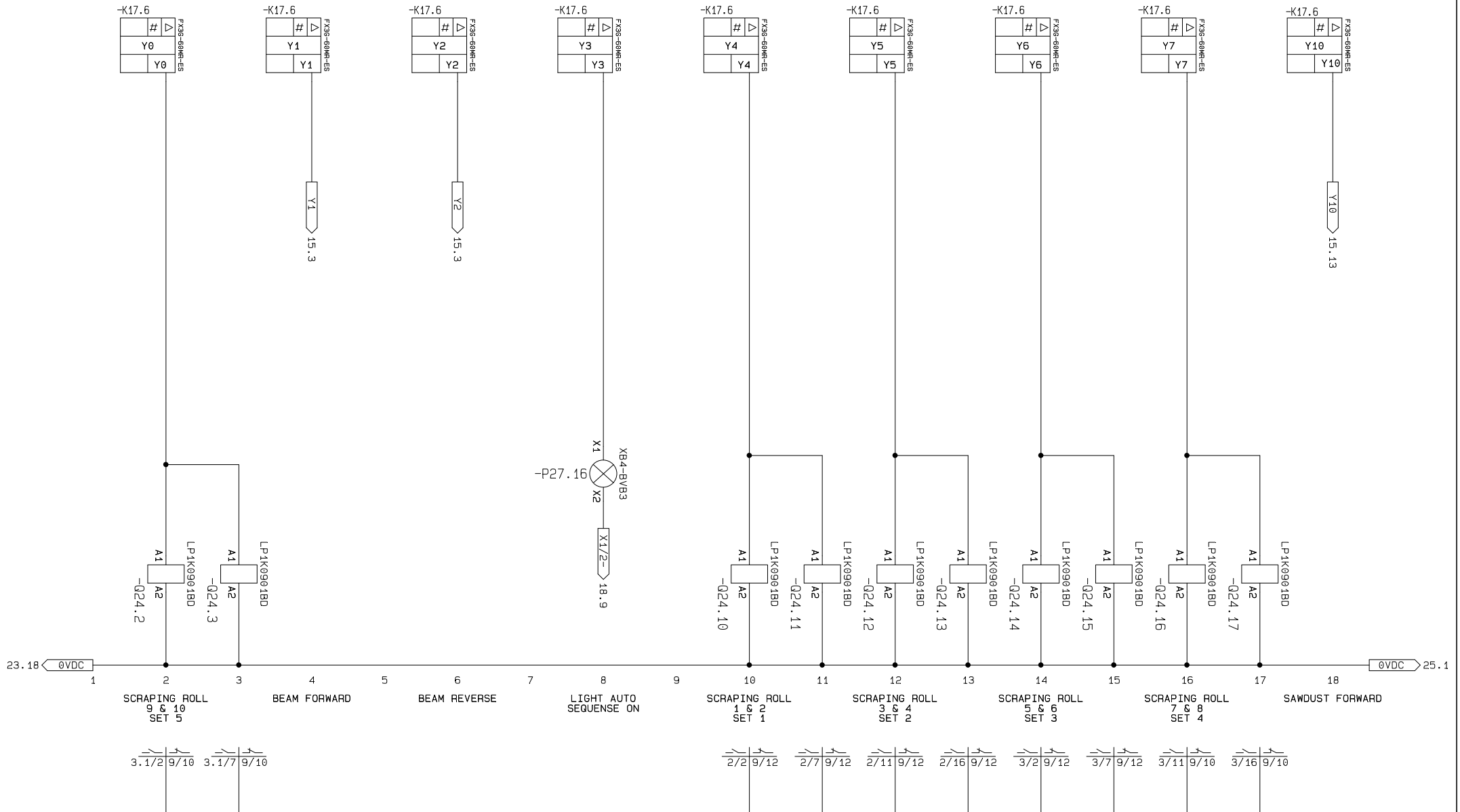
Last prt: 25-06-2018

Last changed: 20-02-2013

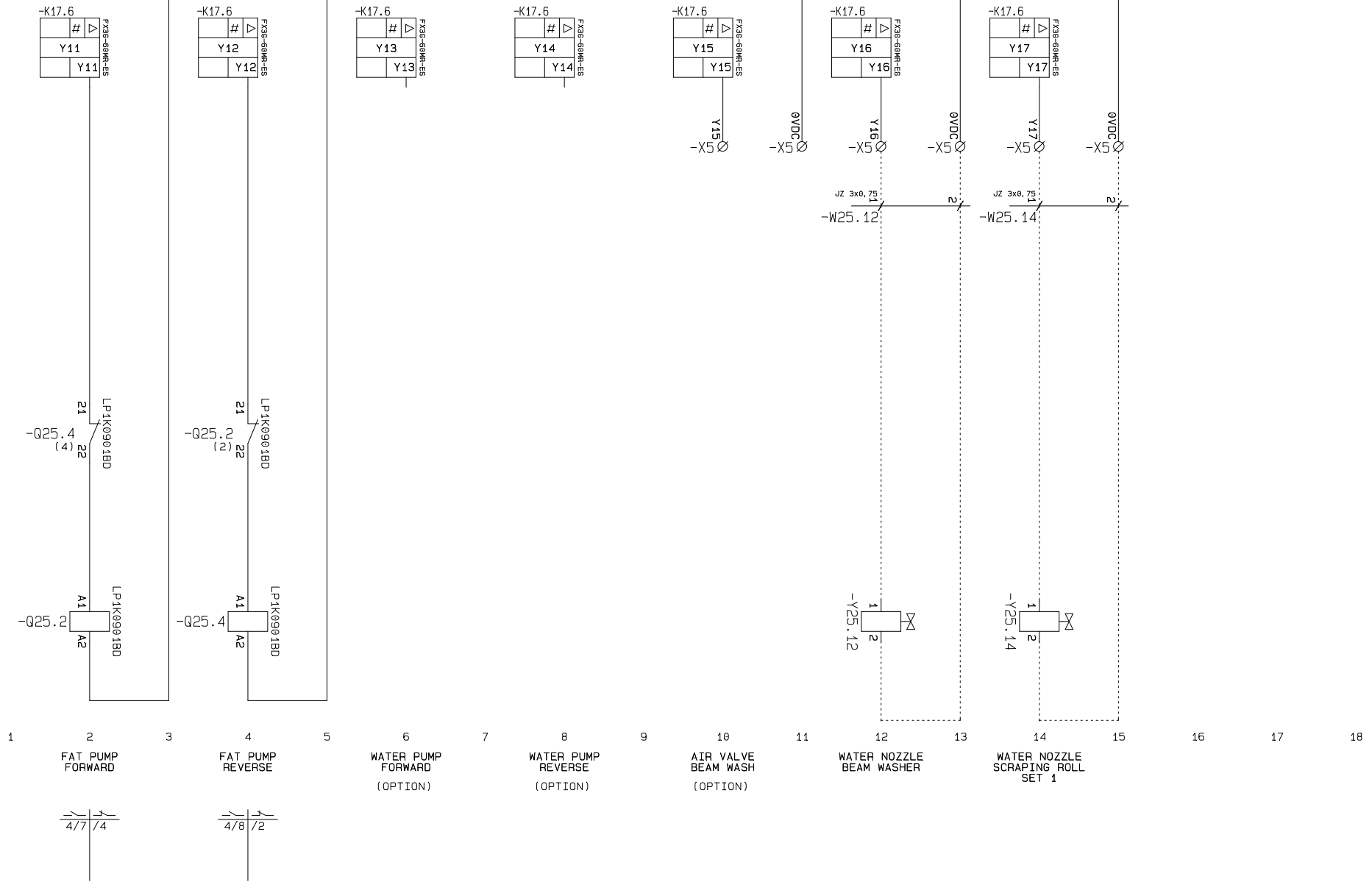
Case no: HG 10 2016.04-32A+2x16A

Page ref.:

Page: 23 of 42

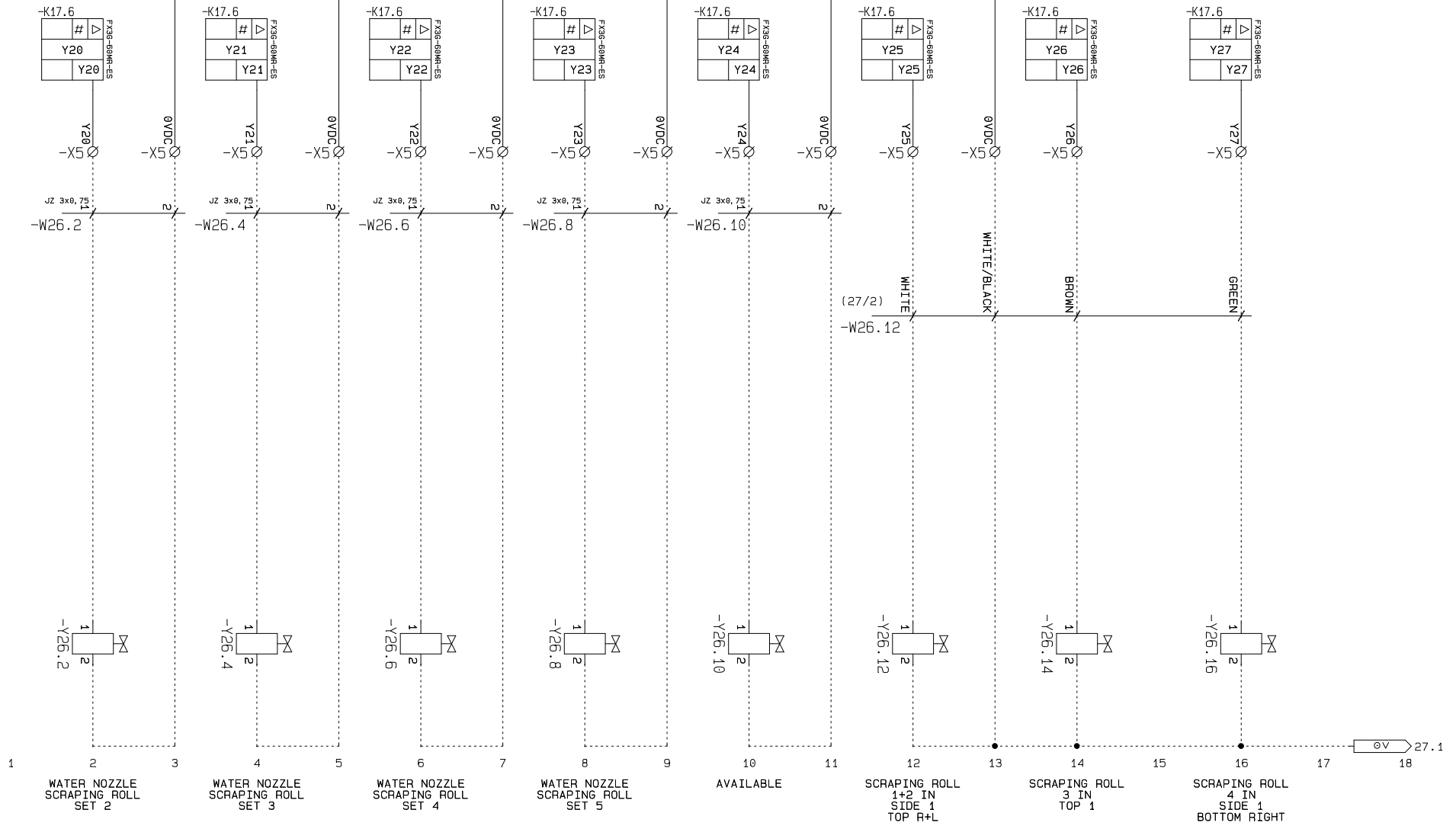


24.18 ← 0VDC 0VDC → 26.1



25.18 ← 0VDC

0VDC → 27.1



0V → 27.1



Tlf. 75 64 18 99 - vs-automatic.dk

En del af TS GRUPPEN - Danmarks stærkeste El & Energi Installatører

Customer: Hedensted Gruppen A/S

Project: HG 10 roll hot spray 2016.04 - 32A + 2 x 16A

Page title: PLC Output Y20 - Y27

Designer: TBT

Last prt: 25-06-2018

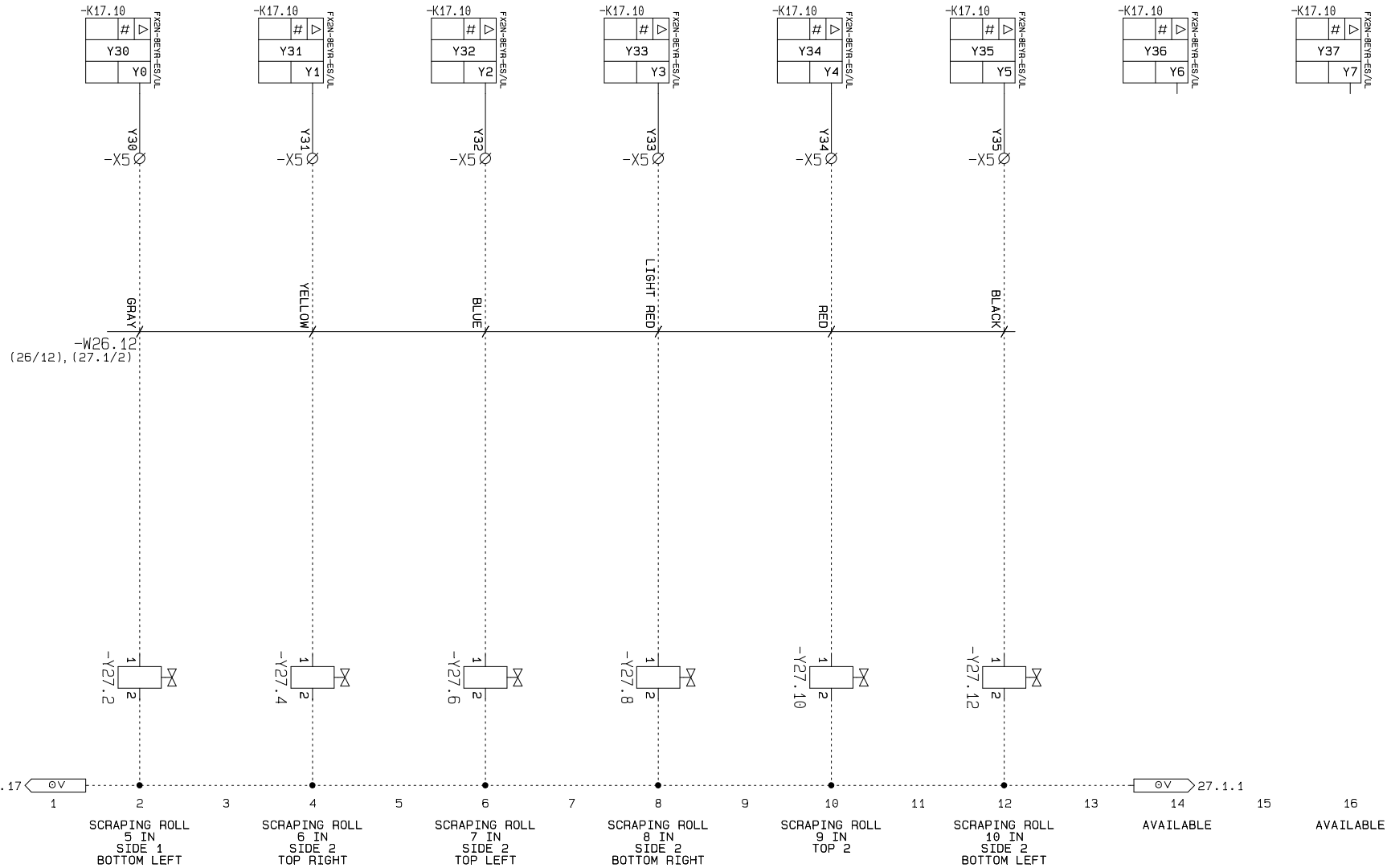
Last changed: 05-02-2016

Case no: HG 10 2016.04-32A+2x16A

Page ref.:

Page: 26 of 42

26.18 ← 0VDC → 27.1.1



Tlf. 75 64 18 99 - vs-automatic.dk

En del af TS GRUPPEN - Danmarks stærkeste El & Energi Installatører

Customer: Hedensted Gruppen A/S

Project: HG 10 roll hot spray 2016.04 - 32A + 2 x 16A

Page title: PLC Output Y30 - Y37

Designer: TBT

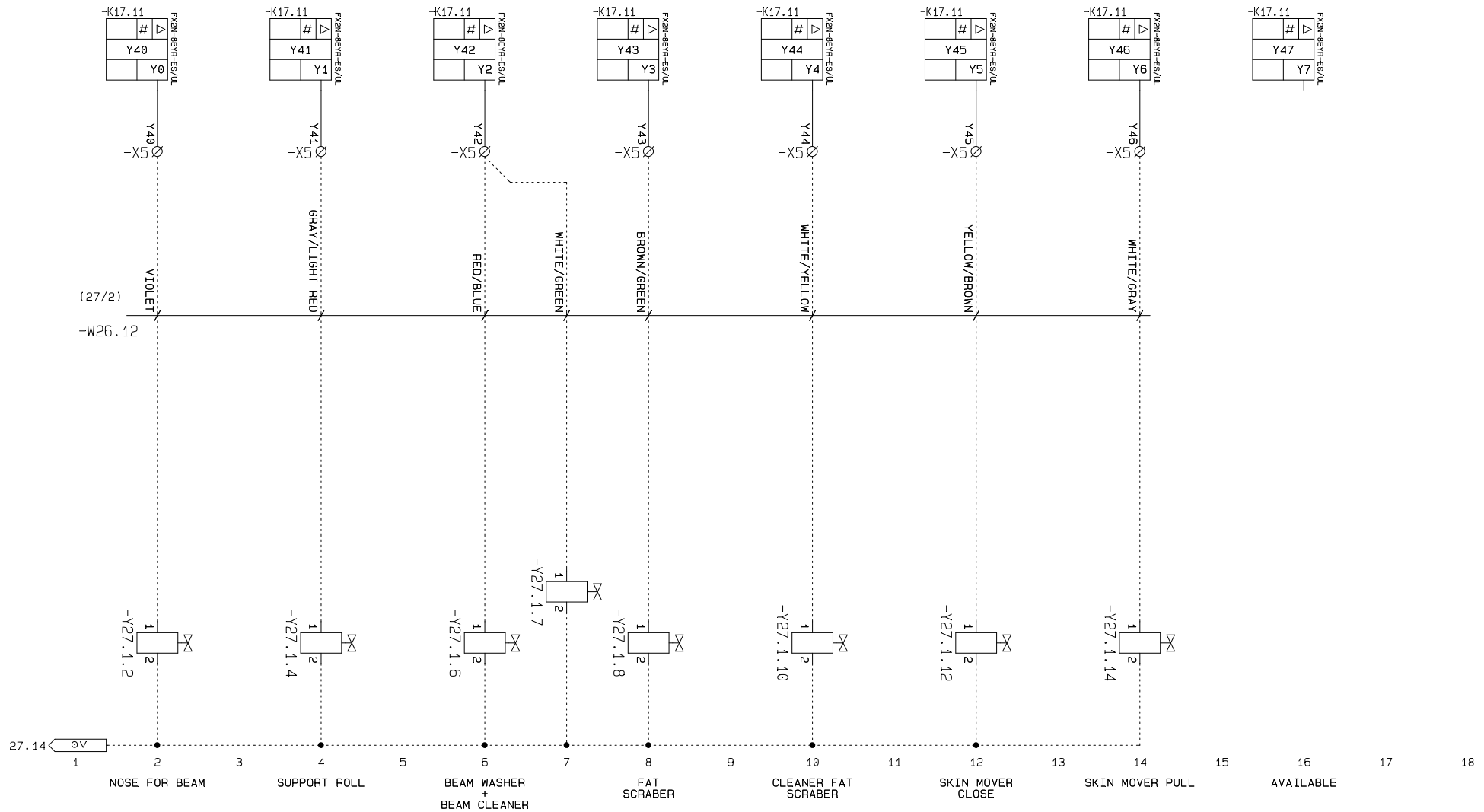
Last prt: 25-06-2018

Last changed: 07-10-2016

Case no: HG 10 2016.04-32A+2x16A

Page ref.:

Page: 27 of 42



Tlf. 75 64 18 99 - vs-automatic.dk

En del af TS GRUPPEN - Danmarks stærkeste El & Energi Installatører

Customer: Hedensted Gruppen A/S

Project: HG 10 roll hot spray 2016.04 - 32A + 2 x 16A

Page title: PLC Output Y40 - Y47

Designer: TBT

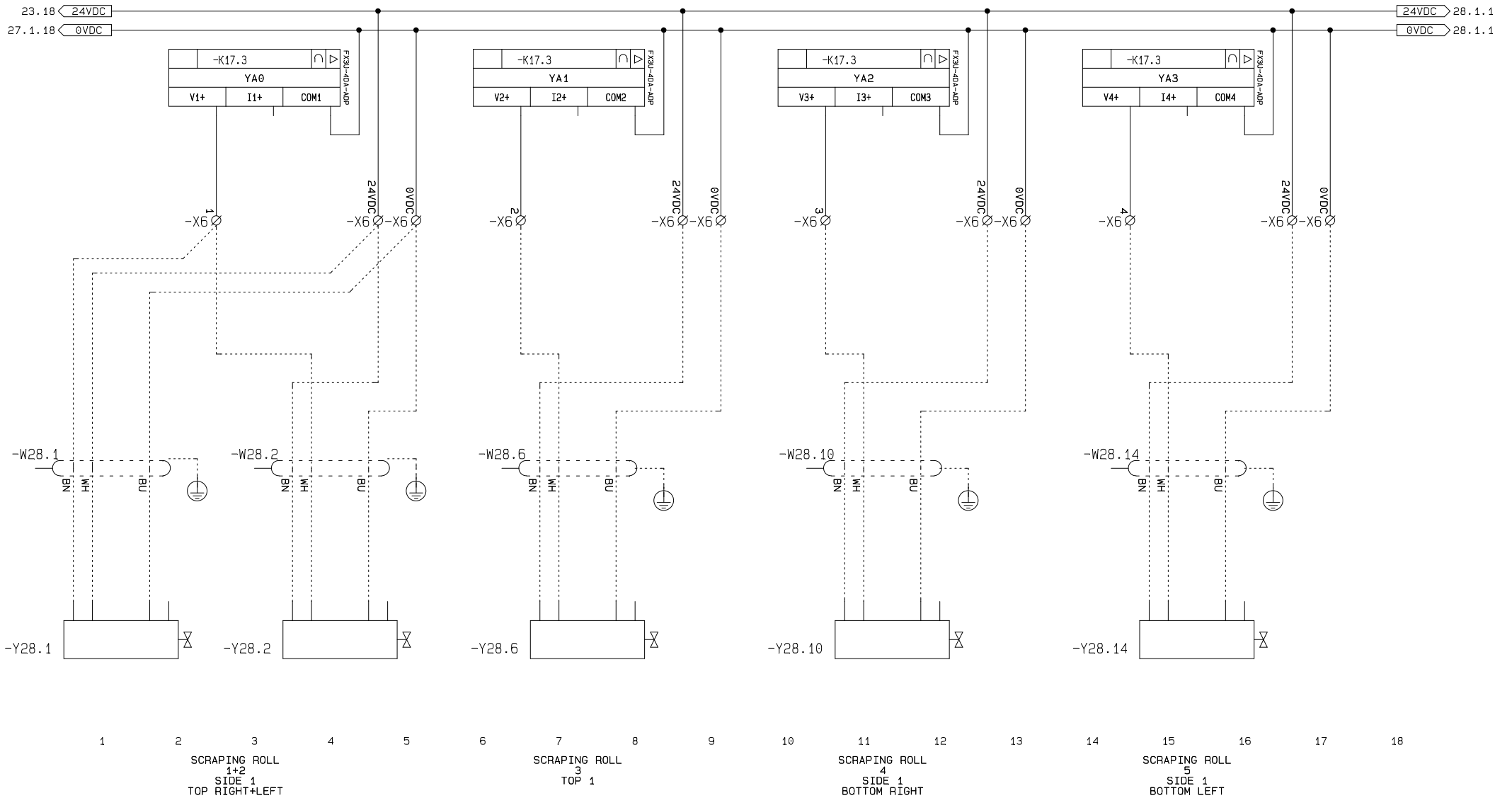
Last prt: 25-06-2018

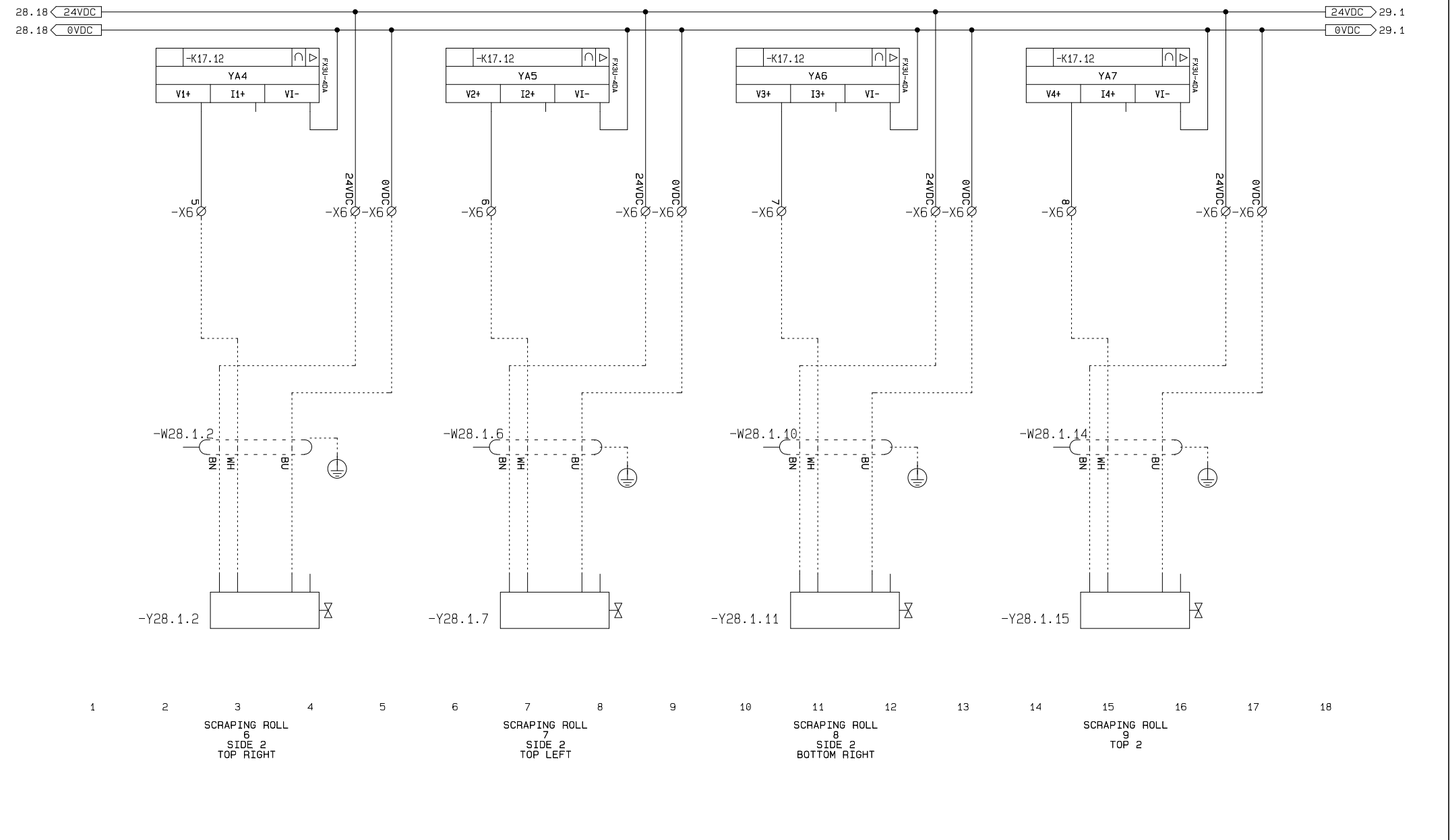
Last changed: 05-02-2016

Case no: HG 10 2016.04-32A+2x16A

Page ref.:

Page: 27.1 of 42





Tlf. 75 64 18 99 - vs-automatic.dk

En del af TS GRUPPEN - Danmarks stærkeste El & Energi Installatører

Customer: Hedensted Gruppen A/S

Project: HG 10 roll hot spray 2016.04 - 32A + 2 x 16A

Pagetitle: PLC Analog Output

Designer: TBT

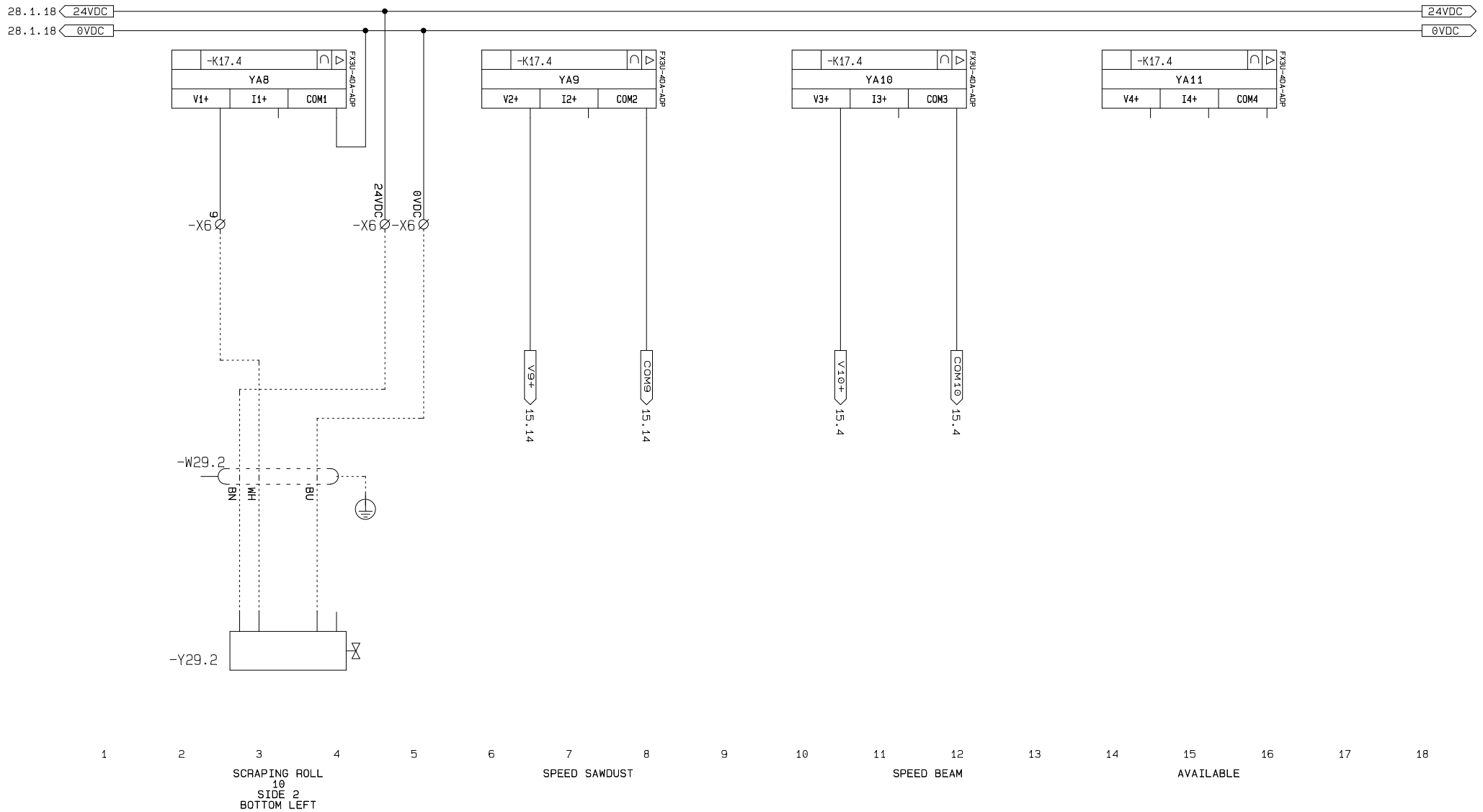
Last prt: 25-06-2018

Last changed: 10-10-2016

Case no: HG 10 2016.04-32A+2x16A

Page ref.:

Page: 28.1 of 42



1 2 3 4 5 6 7 8 9 10 11 12 13 14 15 16 17 18



Tlf. 75 64 18 99 - vs-automatic.dk

En del af **TS GRUPPEN** - Danmarks stærkeste El & Energi Installatører

Customer: Hedensted Gruppen A/S

Project: HG 10 roll hot spray 2016.04 - 32A + 2 x 16A

Page title:

Designer: TBT

Last prt: 25-06-2018

Last changed: 18-10-2011

Case no: HG 10 2016.04-32A+2x16A

Page ref.:

Page: 30 of 42

SET 1

SET 2

SET 3

SET 4

RS1T

LS1T

TOP1

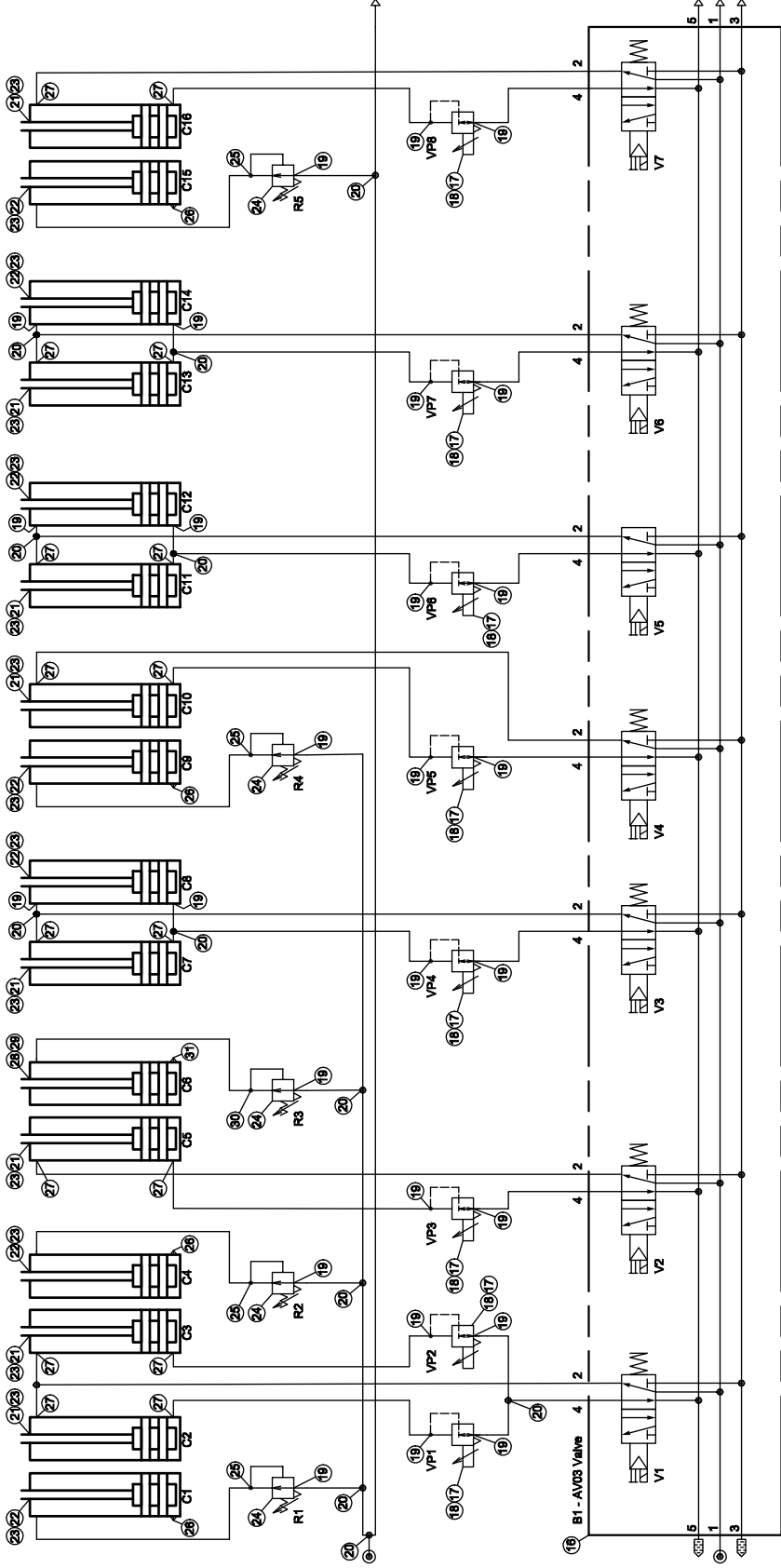
RS1B

RS2T

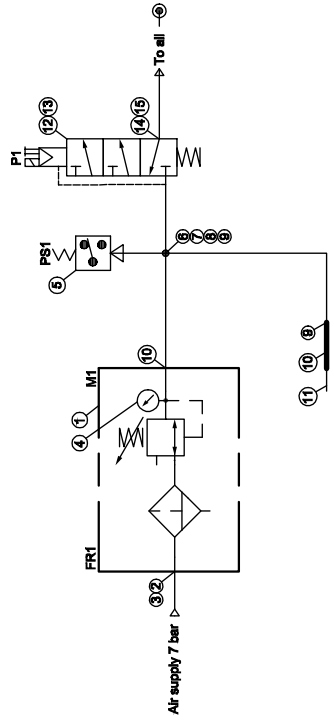
LS1B

RS2B

LS2T



SHEET 2

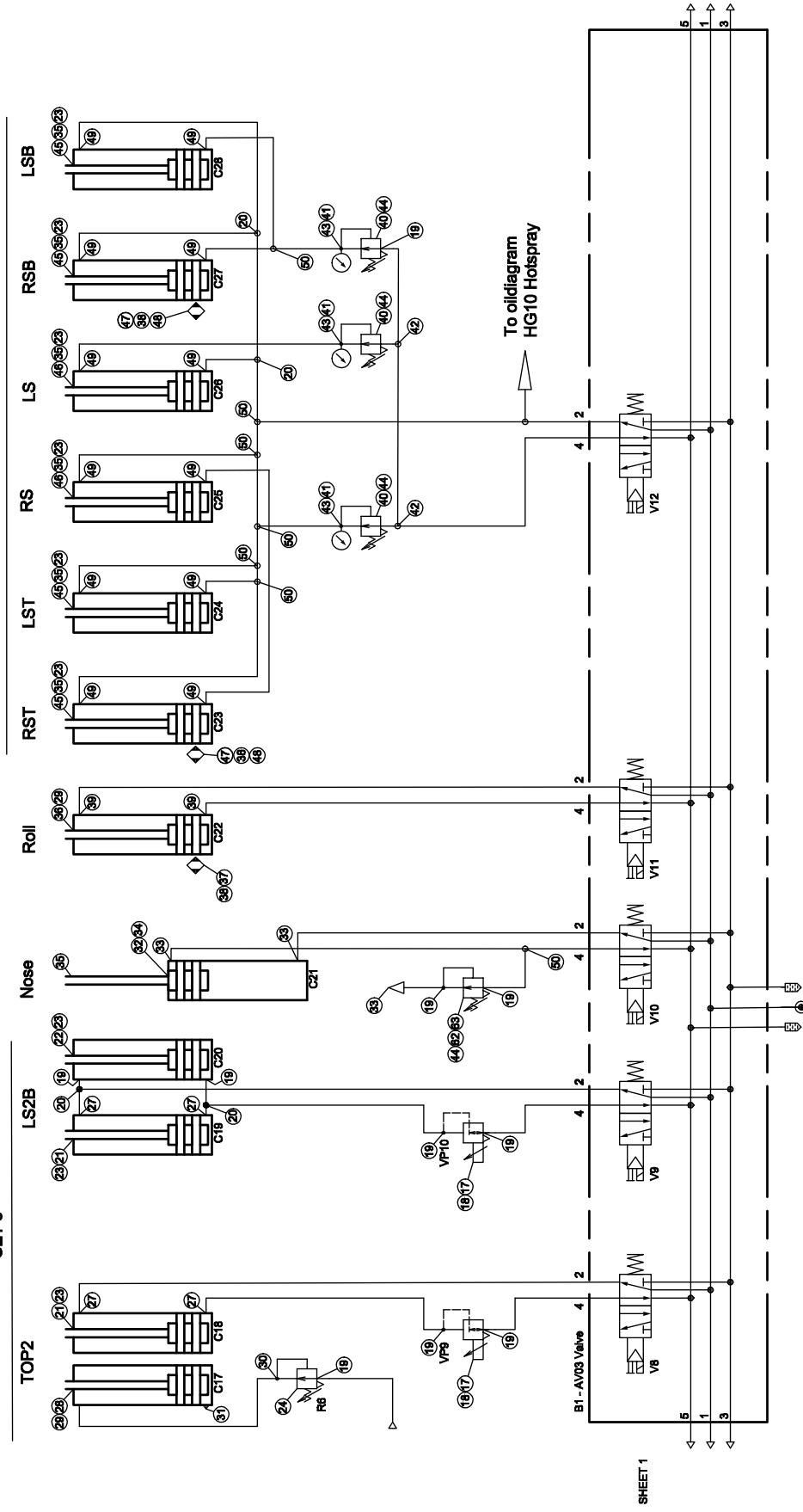


	Scale:	Not specified tolerance according to:	Sheet size:
		DS/ISO 2768-m	A2
		Surface properties:	Sheet:
	Material:		1 / 3
Part No.:	194040	Diagram:	Air diagram HG10 hot spray 2016_02
Part set:		Parts list:	Parts list Air HG10 hot spray 2016_02

Revision:	Approved	Date:	Revision Description
2	KL	10-05-2017	Cylinder for nose changed to RT/57225(M)/40

Beam washer

SET 5



	Scale:	Not specified tolerance according to:	Sheet size:
		DS/ISO 2768-m	A2
Material:	Surface properties:		Sheet:
Part No.:			2 / 3
194040			
Diagram:	Airdiagram HG10 hot spray 2016_02		
Part list:	Parts list Air HG10 hot spray 2016_02		

This document is strictly confidential and must not be accounted for copied or disclosed to any person.

HEDENSTED GRUPPEN AS

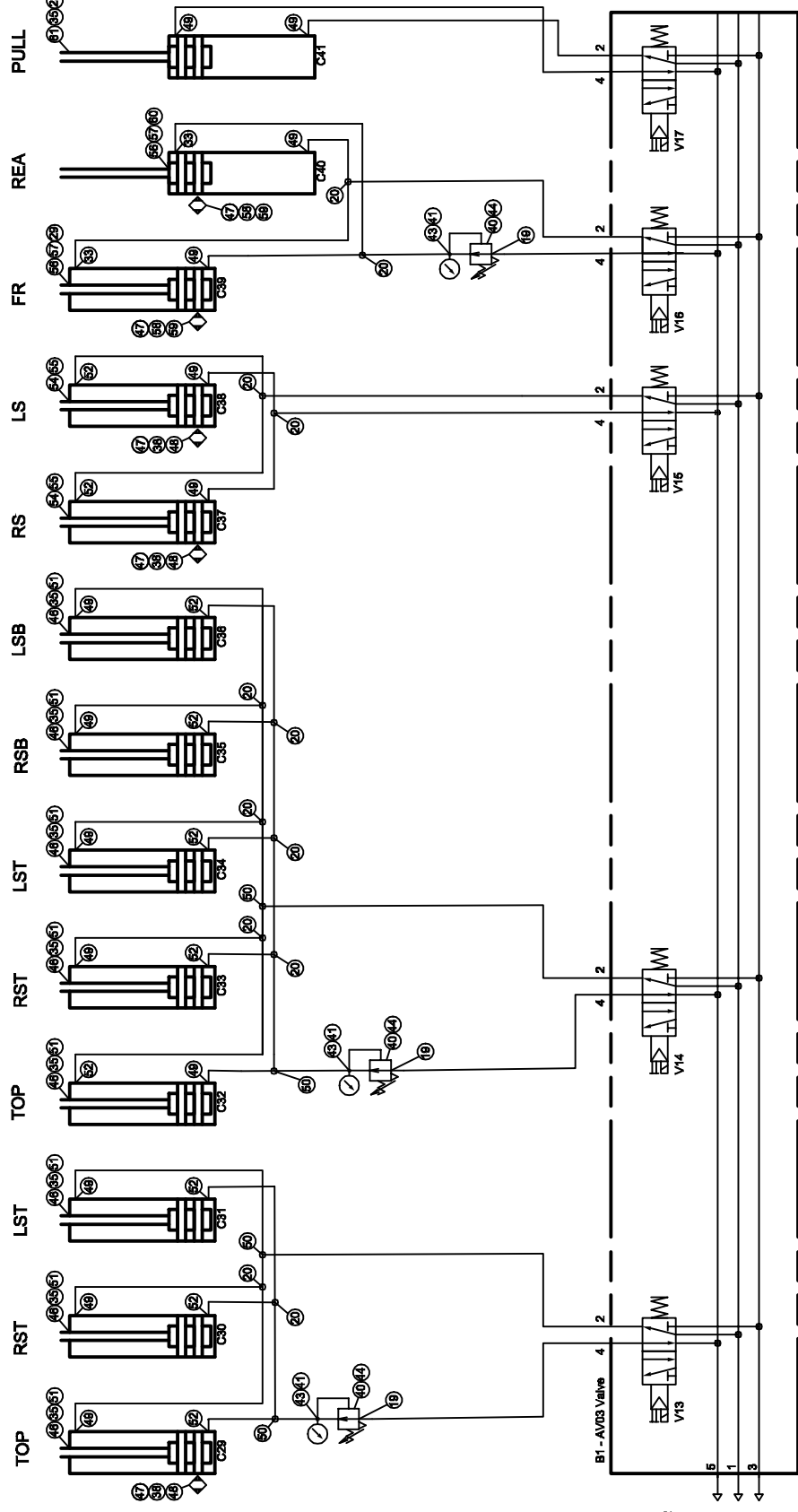
Revision:	Approved	Date:	Revision Description
2	KL	10-05-2017	Cylinder for nose changed to RT/57225/M/40

Beam cleaner


Fat scraper

Fat scraper cleaner

Skin remover



SHEET 2

	Scale:	Not specified tolerance according to:	Sheet size:
		DS/ISO 2768-m	A2
		Surface properties:	Sheet:
			3 / 3
Part No.:	194040	Diagram:	
Air diagram HG-10 hot spray 2016_02			
Parts list: Air HG10 hot spray 2016_02			

Revision:	Approved:	Date:	Revision Description
2	KL	10-05-2017	Cylinder for nose changed to RT/57225M/40

This document is strictly confidential and may not be copied or disclosed to third parties without the prior written consent of HEDENSTED GRUPPEN AS.

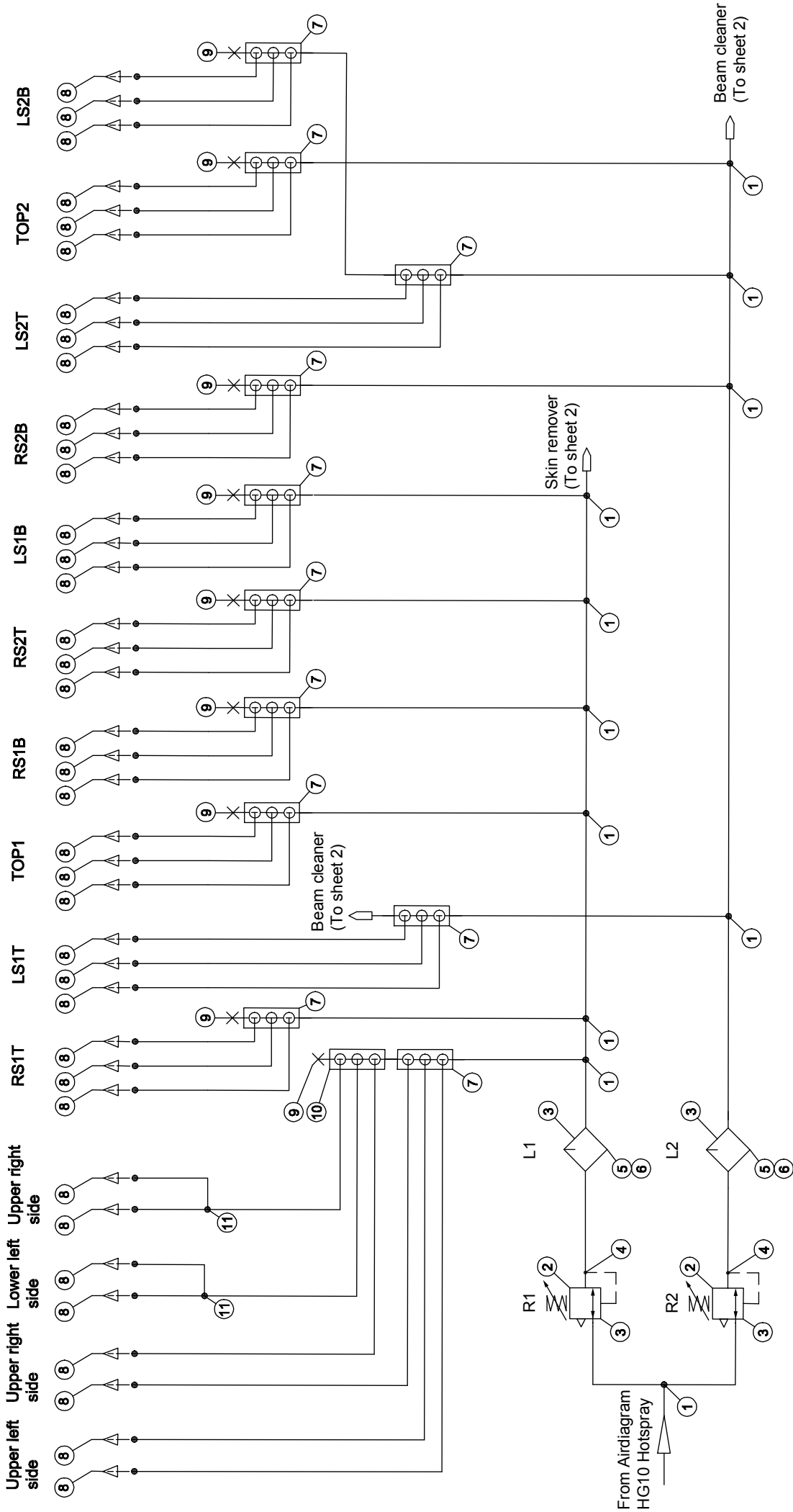




Hedensted Gruppen A/S

Diagram		Airdiagram HG10 hot spray 2016_02		Rev: 01	
Bom no.		Parts list Air HG10 hot spray 2016_02		Sign. KL	
Title		HG10 Hot spray		Date. 10.05.2017	
Pos	Qty	Description	HG no.	Supplier no.	Comment
1	1	Filterreg 40my 10bar	215420	B72G-2GK-QT3-RMN	FR1
2	1	Elbow 1/4"t x 1/4" (M/F)	216358	150430028	
3	1	Quick release coupling male 1/4"	217051	234110028	
4	1	Gauge 0-10bar 1/8" Ø40	215550	18-013-989	M1
5	1	Pressure switch electronic 24 V	215430	881300000000000	PS1
6	1	Connection block for B72 serie	215432	523109000000000	
7	2	Mounting brace 4214-52	210176	4214-52	
8	1	Plug male 1/4"	216739	M10-0028	
9	2	Straight connector Ø6 x 1/4"	215930	C02250628	
10	1	Springhose 6m WITHOUT fittings	175804	PU310800628	
11	1	Air blow gun, Airboy	217105		
12	1	Soft-starter	197322	P72F-2GC-PFA	P1
13	1	Socket 22mm with 3m wire	215184	M/P43313/3	
14	1	Y-connector Ø10 x 1/4"	215880	C02881028	
15	1	Reduction stem Ø10 - Ø8	216682	C00231008	
16	1	Valveblok AV03 for HG10	M101753	R480749871	
17	12	Pressure regulator electronic	199080	Bosch R414002402	VP1+2+3+4+5+6+7+8+9+10
18	10	Cabel 5P M12 w.screen - angle	601328	WWAKS4.5-5/P00	
19	40	Elbow swirvel Ø6 x 1/8"	215760	C02470618	
20	28	Y-connector 2xØ6 x Ø6	215860	C00820600	
21	10	Cylinder PRA182032/M/80	212090	PRA/182032/M/80	C2+C3+C5+C7+C10+C18
22	8	Cylinder PRA182032/M/100	212092	PRA/182032/M/100	C1+C4+C8+C9
23	25	F-Joint QM/8025/25	214115	QM/8025/25	
24	6	Regulator 0,3-7 bar 1/8"	216208		R1+R2+R3+R4+R5+R6
25	4	Nipple adaptor R1/8"	216721		
26	4	Filter sintered 1/8"	216796		
27	20	Flow banjo control Ø6 x 1/8"	215105		
28	2	Cylinder PRA182040/M/100	M101833	PRA182040/M/100	
29	3	F-Joint QM/8040/25	214120	QM/8040/25	
30	2	Nipple adaptor conical 1/4"-1/8"	216706		
31	2	Filter sintered 1/4"	216797		
32	1	Cylinder RT/57225/M/40	211614		C21
33	3	Elbow swirvel Ø6 1/8"t	215730		
34	1	Lock nut M18x1,5 FZB	210424		
35	16	Lock nut M10x1,25 FZB	210427		
36	1	Cylinder PRA/182040/M/200	212127		C22
37	1	Reed inductive sensor (Yellow)	214312		
38	6	Socket with 3M wire 3p/M8	204314		
39	2	Flow control banjo Ø6 x 1/4"	215992		
40	6	Regulator 1/8" 0-10bar	216206		
41	6	Gauge 0-10bar 1/8" Ø40	215550		
42	2	Tee 1/8" x Ø6 x Ø6	216425		
43	6	Banjo with top port 1/8"t x Ø6 x female 1/8"	215112		
44	7	Nut, panel mount 2962-04	215535		
45	4	Cylinder RT/57225/M/100	M101971	RM/57225/M/100	C23+C24+C26+C27
46	10	Cylinder RT/57225/M/80	211018	RT/57225/M/80	C25+26+29+30+31+32+33+34+35+36
47	7	Reed Induktive Sensor for Roundline (Yellow)	214311		
48	5	Clampring Ø8-25 for Turck sensor	214319		
49	26	Flow control banjo Ø6 x 1/8"t	215110		
50	9	Tee Ø6 x Ø6 x Ø6	215850		
51	8	F-joint QM/57025/25	214100	QM/57025/25	
52	10	Flow control banjo swirvel Ø6 x 1/8"t	215114		
53	2	Lock nut M16x1,5 FZB	210422		
54	2	Cylinder RT/57220/M/160	M101729	RT/57220/M/160	C37+C38
55	2	Lock nut M8 FZB	210421	M/P1501/89	
56	2	Lock nut M12 x 1,25 FZB	210428		
57	2	Cylinder RT/57240/M/80	211014	RT/57240/M/80	C39+C40
58	2	Socket with 10M wire 3p/M8	214313		
59	2	Clampring Ø25-80 for Turck sensor	214321		
60	1	UF-bracket QM/8040/32	M101451	QM/8040/32	
61	1	Cylinder RT/57232/M/200	211630	RT/57232/M/200	C41
62	1	Regulator 1/8" 0,3-3,5bar	216205	R07-100-RNEG	
63	1	C-Bracket M/P71273/3	214180	M/P71273/3	

Beam washer

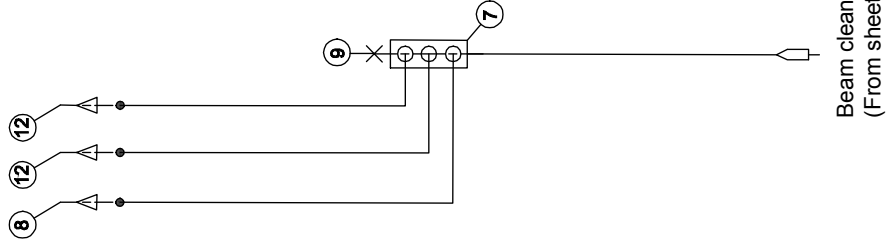
Scraping rollers



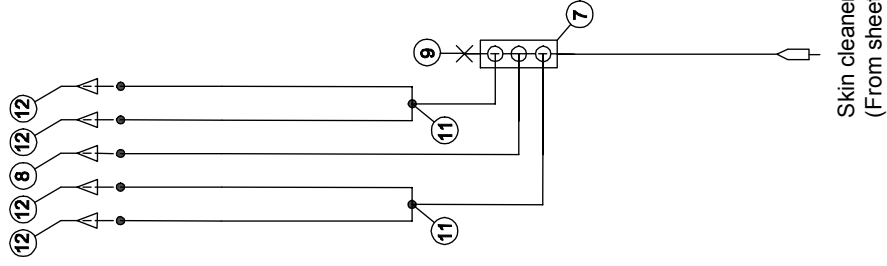
		Scale: Not specified tolerance according to: DS/ISO 2768-m	Sheet size: A3
		Surface properties: 	Sheet: 1 / 2
Part No.: 194040		Material: _____	
Diagram: Air/Oil diagram HG10 hotspray 2016_01			
Part list: Parts list Air/Oil HG10 hotspray 2016_01			

Revision:	Approved	Date:	Revision Description
1	KL	11-03-2016	Made

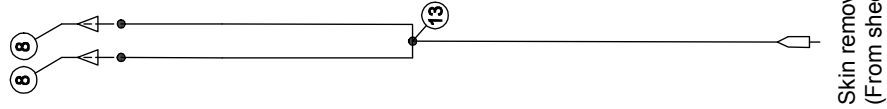
Beam cleaner



Skin cleaner



Skin remover



		Scale:	Not specified tolerance according to:	Sheet size:
			DS/ISO 2768-m	A3
			Surface properties:	Sheet:
				2 / 2
Part No.:		Material:		
194040				
Diagram:				
Air/Oil diagram HG10 hot spray 2016_01				
Part list:				
Parts list Air/Oil HG10 hot spray 2016_01				

Revision:	Approved	Date:	Revision Description
1	KL	11-03-2016	Made

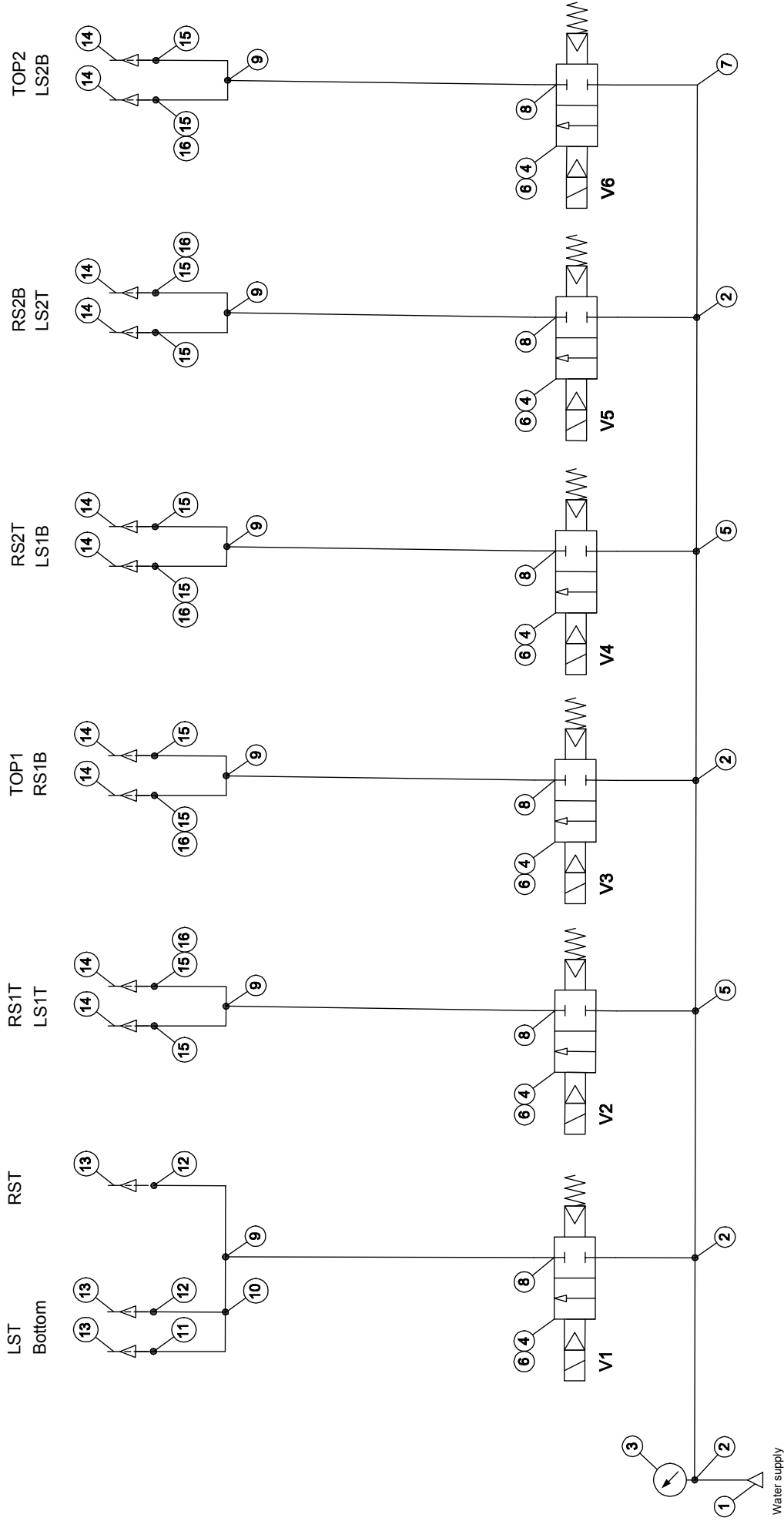



Hedensted Gruppen A/S

Diagram		Air/Oil diagram HG10 hotspray 2016_01		Rev: 01	
Bom no.		Parts list Air/Oil HG10 hotspray 2016_01		Sign. KL	
Title		HG10 Hotspray			
Pos	Qty	Description	HG no.	Supplier no.	Comment
1	11	Y-connector 2x \varnothing 6 x \varnothing 6	215850	C00820600	
2	2	Regulator 1/4" 0-10ber	216204	R07-205-RNMG	R1+R2
3	4	Elbow swirvel \varnothing 6 x 1/4"	215765	C02470628	
4	2	Nipple adapter \varnothing 1/4"t x \varnothing 1/4"t	216710	150202828	
5	2	Sight feed lubricator 1/4"	210185	L72M-2GP-ETN	L1+L2
6	2	Bracket 4224-50	214455	4224-50	
7	13	Manifold \varnothing 6 x 3x \varnothing 4 x \varnothing 6	M201140	C00D30604	
8	42	Straight connector \varnothing 4 x M6	215926	C022A0406	
9	8	Plug \varnothing 6	216748	110040600	
10	1	Manifold stem \varnothing 6 x 3x \varnothing 4 x \varnothing 6	M201160	C00J30604	
11	4	Y-connector 2x \varnothing 4 x \varnothing 4	215757	C00820400	
12	6	Straight connector \varnothing 4 x M3	199071	M022A0403	
13	1	Y-connector \varnothing 6 x 2 \varnothing 4	215776	C00820604	

Beam washer

Scraping rollers



		Scale:	Net specified tolerance according to:	Sheet size:
		Part No.:	DS/ISO 2768-m	A3
Material:		Surface properties:	Sheet:	
194040			1 / 1	
Diagram:				
Water diagram HG10 hot spray 2016_01				
Part list:				
Parts list Water HG10 hot spray 2016_01				

Revision:	Approved	Date:	Revision Description
1	KL	11-03-2016	Made

The document is ready for production and shall not be changed or modified in any way without the approval of the responsible person.



Hedensted Gruppen A/S

Diagram		Water diagram HG10 hotspray 2016_01		Rev: 01	
Bom no.		Parts list Water HG10 hotspray 2016_01		Sign. KL	
Title		HG10 Hotspray			
Pos	Qty	Description	HG no.	Supplier no.	Comment
1	1	Hose nipple \varnothing 10 x 1/2" Nylon	M201240	A1-15	
2	4	Tee 1/2" x 1/2"t x 1/2" (F/M/F)	M201190	150690048	
3	1	Disc thermometer	M201220	480601004	
4	6	Valve 1/2" 24V DC	M200982	8.240.200.910.102.400	V1-V6
5	2	Tee 1/2"t x 1/2"t x 1/2"t (M/M/M)	M201195	150600048	
6	6	Socket 22mm with 3m wire	215184		
7	1	Elbow 2x 1/2" male	216580	150700048	
8	6	Elbow swirvel \varnothing 6 x 1/2"	M201200	C01470648	
9	6	Tee \varnothing 6 x \varnothing 6 x \varnothing 6	215850		
10	10	Y-connector 2x \varnothing 6 x \varnothing 6	215860	C00820600	
11	1	Elbow Swirvel \varnothing 6 x Female 1/8"	215736	C01480618	
12	2	Straight connector \varnothing 6 x 1/8"	215925		
13	3	Nozzle flat jet 1/8" 60gr	M200986	JAR-1120-T1	
14	10	Nozzle angle flat jet 1/8"	M200984	KGW-0780-T1	
15	10	Elbow Swirvel \varnothing 6 x 1/8"t	215730	C01470618	
16	5	No-return valve 1/8" N/M	M200987	E6063	