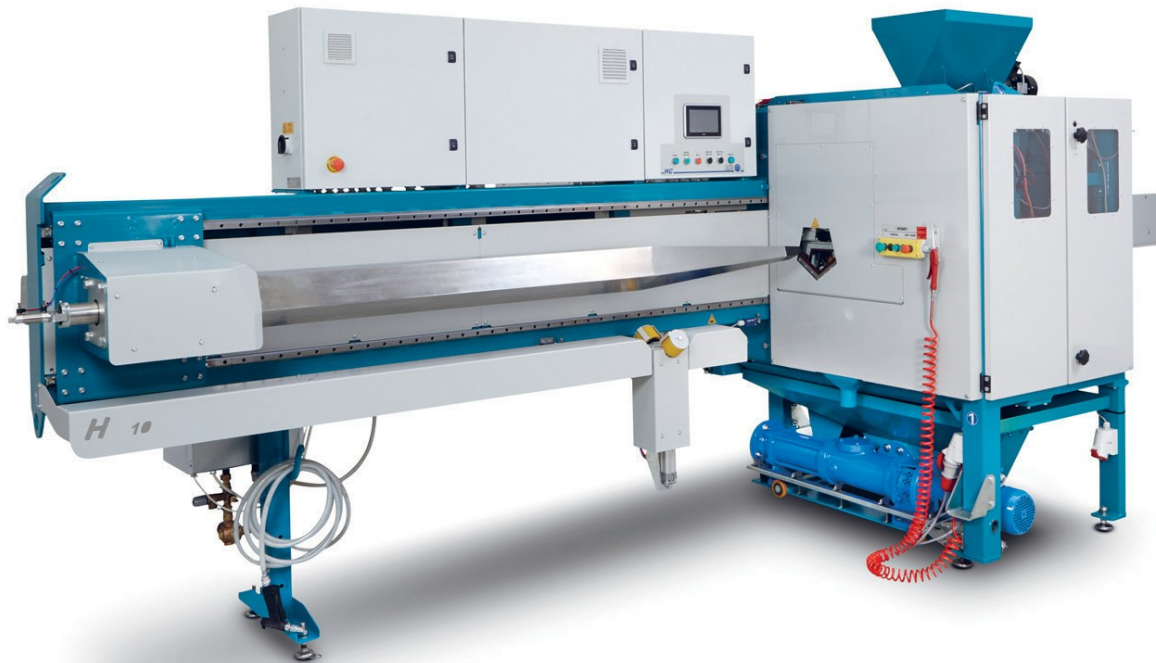


SPARE PARTS



HG 10 HOT SPRAY SCRAPING MACHINE

Model 2018-20xx

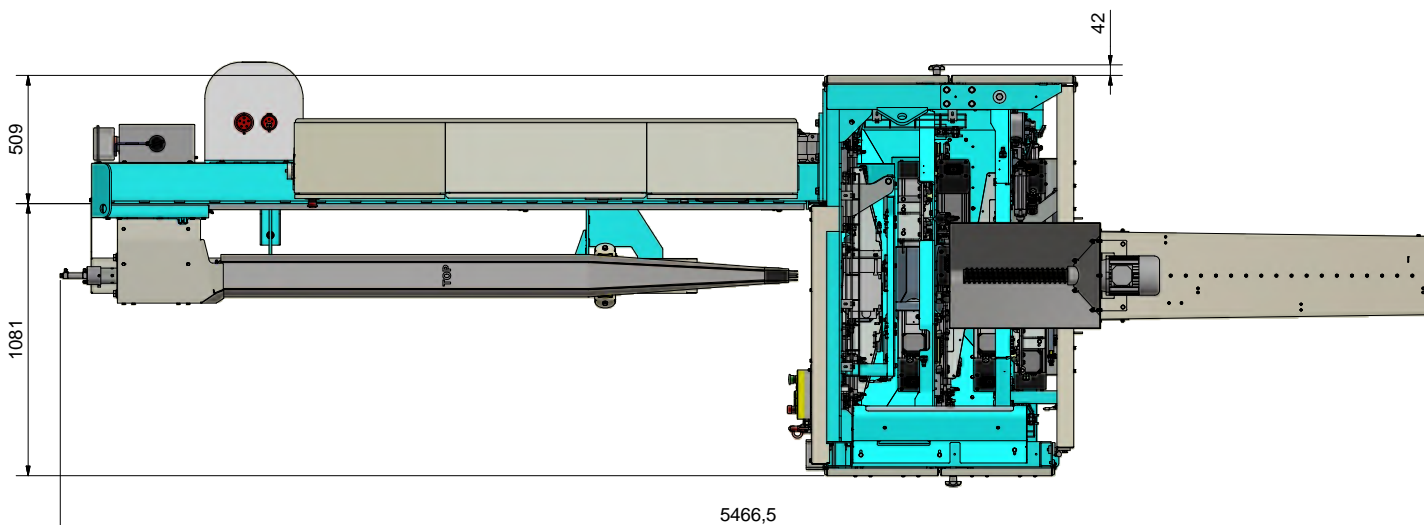
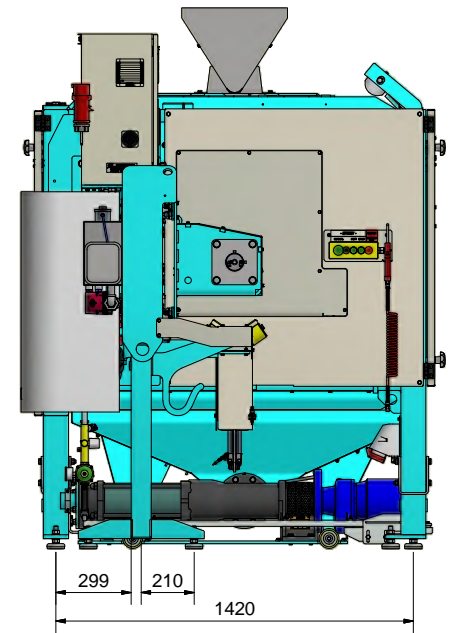
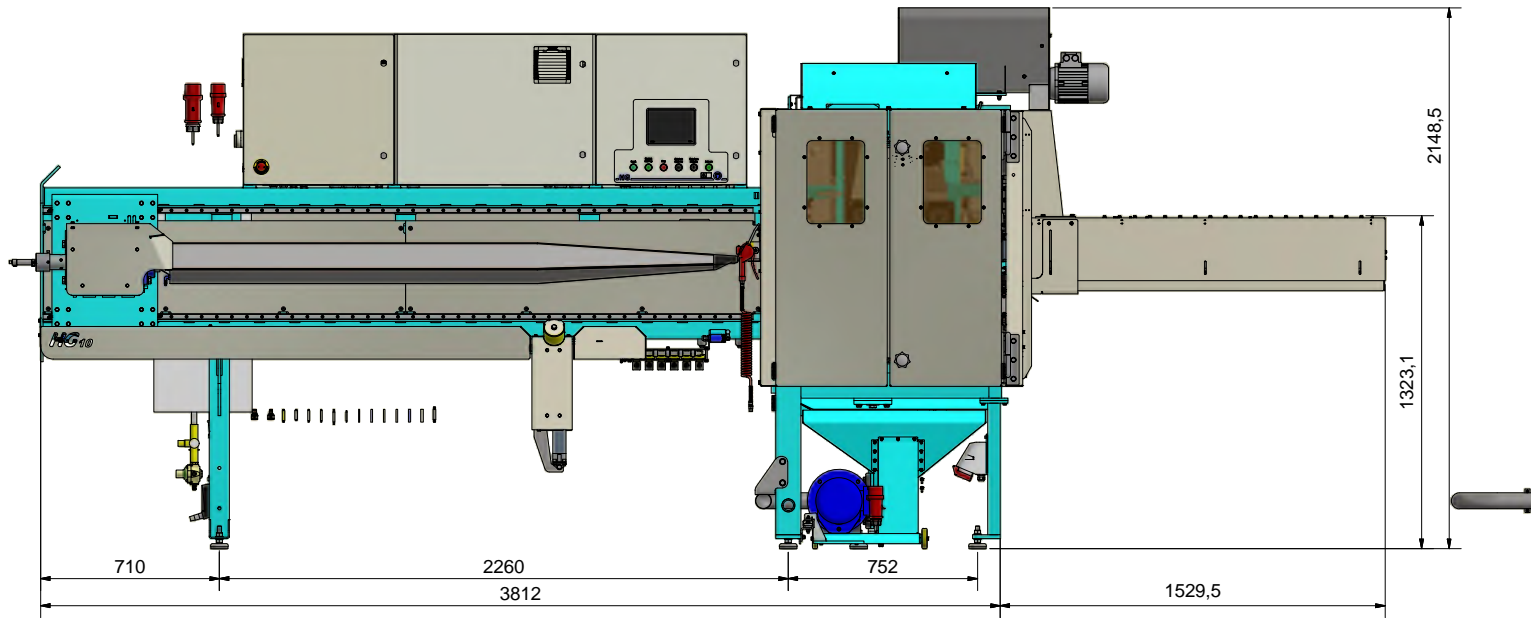
HG

IMPROVING YOUR FUR BUSINESS

1. Table of content

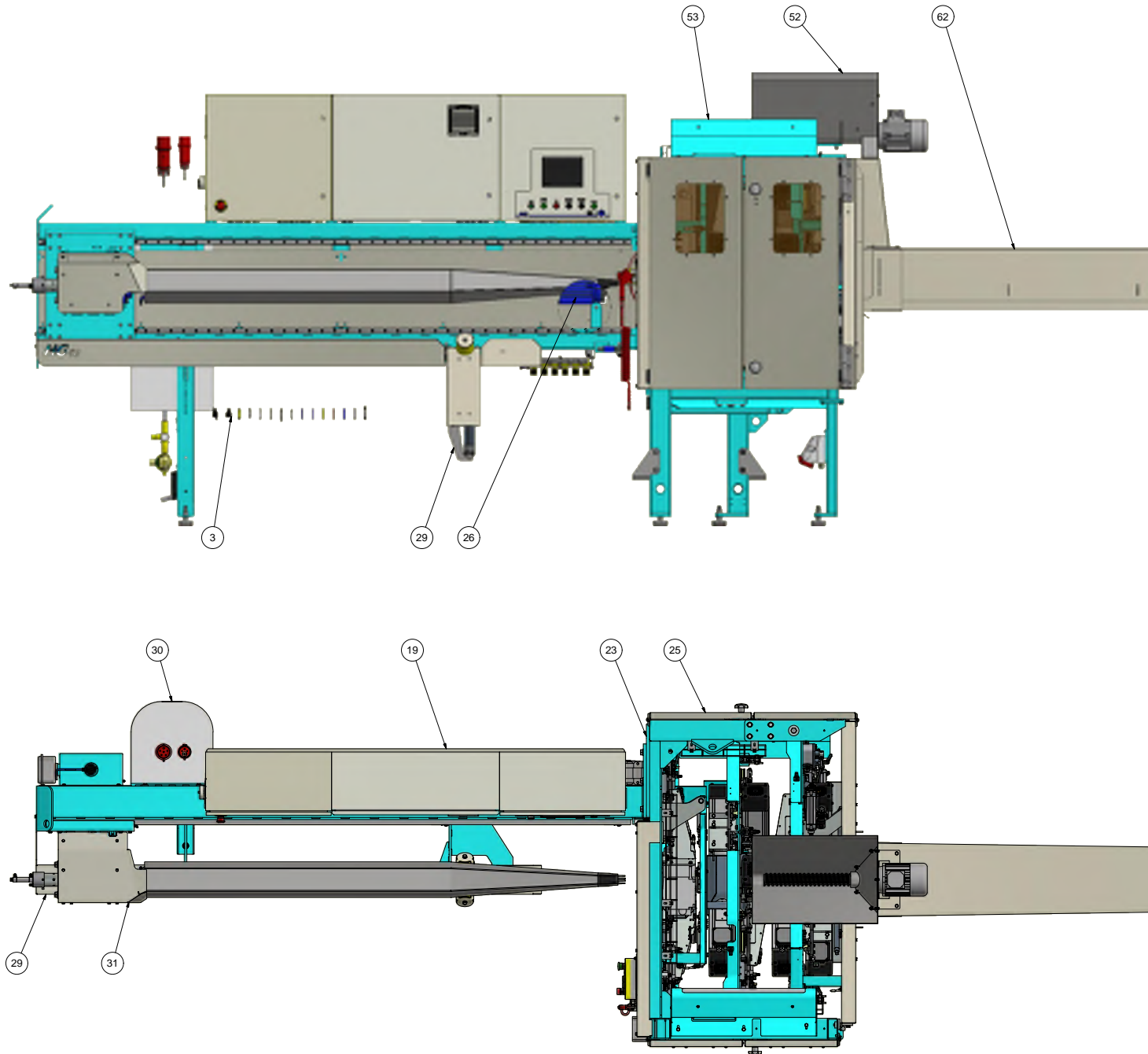
1. Table of content
2. Spare parts
3. Electric diagram
4. Air diagram

PARTS LIST			
ITEM	QTY	PART NUMBER	DESCRIPTION
1	1	M101978	HG 10 Hot Spray
2	1	M101921	Mono Pump assembly 2, HG10



Break all edges			
	Scale:	Not specified tolerance according to:	Sheet size:
	1:15	DS/ISO 2768-m	A2
	Surface properties:	No	Sheet:
			1 / 1
Part No.:	194040		
Description 1:	HG 10 Hot Spray incl. monopump		
Description 2:			

Revision	Approved	Date	Revision Description
2	KL	12-04-2018	3x CE, new skin remover, air blow valve



PARTS LIST			
ITEM	QTY	PART NUMBER	DESCRIPTION
1	1	10203020	Hexagon cylinder head M3x20 FZB
2	25,0 m	197513	Cable JZ 3x1,5mm PVC
3	21	215860	Y-connector 2x< 6 x < 6
4	10,0 m	216106	Air hose < 4mm PUR Blue
5	60,0 m	216116	Air hose < 6mm PUR Red
6	65,0 m	216118	Air hose < 6mm PUR Blue
7	40,0 m	216119	Air hose < 6mm Nylon Yellow
8	2,0 m	216124	Air hose < 8mm PUR Blue
9	2,0 m	216126	Air hose < 10mm PUR White
10	1	216748	Plug < 6 mm
11	15,0 l	476810	Cooling fluid
12	6,0 m	600147	Cable JZ 5x1,5mm PVC
13	9,0 m	600528	Cable OZ 4x0,75mm PVC
14	10,0 m	600635	Cable JZ 3x0,75mm PVC
15	8,5 m	600645	Cable CY-JZ 4x1,0mm PVC w/screen
16	1	M101695	Beam Washer HG10 Assembly
17	1	M101741	Beam HG10, nose assembly
18	1	M101752	Sticker for 194040
19	1	M101754	Control cabinet assembly 2
20	2	M101818	Cylinder mount assembly 1
21	1	M101819	Cylinder mount assembly 7
22	1	M101822	Beam scraper
23	1	M101837	Frame Complet HG10
24	1	M101856	Skind scraper HG10
25	1	M101873	Machine Cover
26	1	M101874	Chain system HG10
27	1	M101877	Cylinder mount assembly 2
28	2	M101878	Cylinder mount assembly 3
29	1	M101891	Support roll, cover assembly
30	1	M101900	Water heating system HG10
31	1	M101908	Console and guides for beam, HG10
32	1	M101923	Cylinder mount assembly 4
33	1	M101924	Motor Ass. RS Top 1
34	1	M101925	Motor Ass. LS Bottom 1
35	1	M101926	Motor Ass. RS Bottom 1
36	1	M101927	Motor Ass. Top 1
37	1	M101928	Motor Ass. RS Top 2
38	1	M101929	Motor Ass. RS Bottom 2
39	1	M101930	Motor Ass. LS Top 2
40	1	M101931	Motor Ass. LS Bottom 2
41	1	M101932	Motor Ass. LS Top 1
42	1	M101933	Slide LS Bottom 1
43	1	M101934	Slide RS Top 1
44	1	M101935	Slide RS Top 2
45	1	M101936	Slide LS Top 2
46	2	M101937	Slide RS Bottom 1/2
47	1	M101938	Slide LS Bottom 2
48	1	M101939	Slide LS Top 1
49	1	M101940	Motor Ass. Top 2
50	1	M101942	Cylinder mount assembly 5
51	2	M101943	Cylinder mount assembly 6
52	1	M101956	Sawdust Dispenser HG10
53	1	M101977	Light for fleshing section
54	1	M101982	Pneumatic Components Frame
55	1	M101983	Pneumatic Components Door 1
56	1	M101984	Pneumatic Components Door 2
57	1	M102000	Slide TOP 2
58	1	M102002	Slide TOP 1
59	59,0 m	M102046	Cable PUR-GELB-JZ 4x1,5mm PUR
60	1	M102047	Id plate HG 10 Hot spray
61	13,3 m	M102060	Cable JZ 4x1,5mm PVC
62	1	M103219	Skin mover assembly_2 HG10 - Model 2018
63	1	M103304	Y-connector 4x< 6 x < 8
64	22	M11906	Electric mounting 194040 (hour)

Break all edges

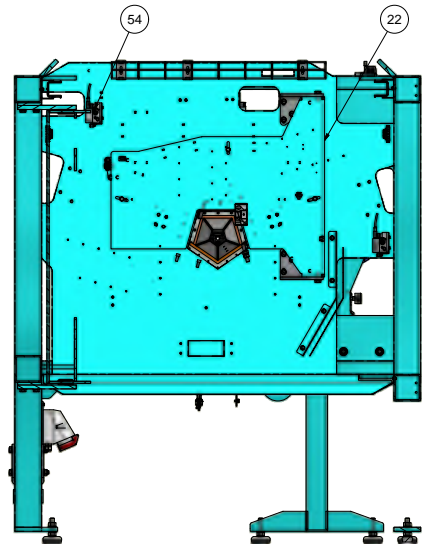
	Scale	1 : 10	Standard	DS/ISO 2768-m	Sheet no.	A1
	Conformity	No	Revision	No	Scale	1/4

M101978

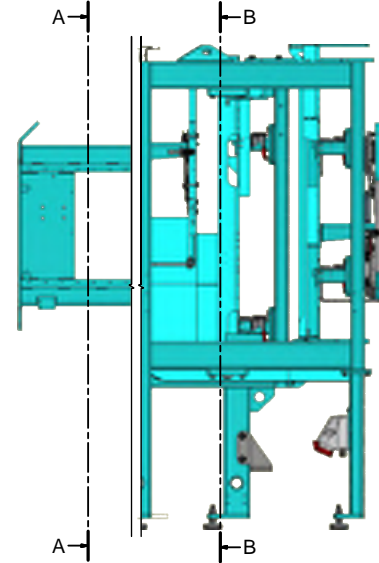
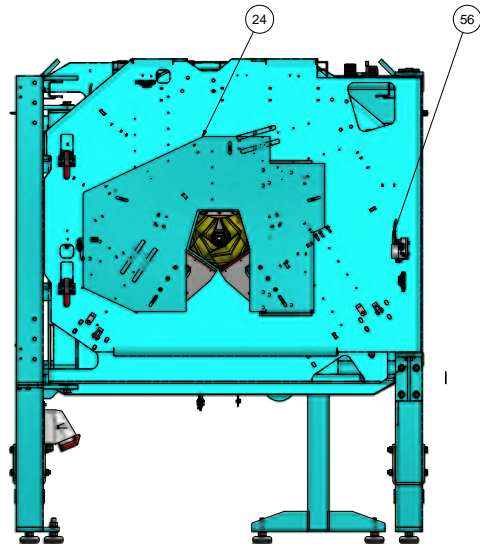
HG 10 Hot Spray

Revision	Approved	Date	Revision Description
4	KL	12-04-2018	3xCE, new skin remover, air blow valve

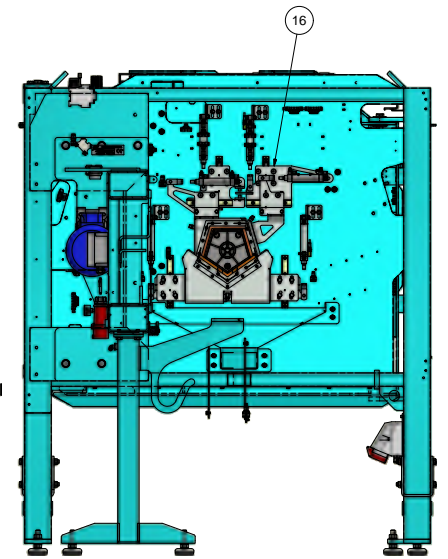
B-B (1 : 10)
Beam cleaner



VIEW10 (1 : 10)
Skin scraper



A-A (1 : 10)
Beam washer

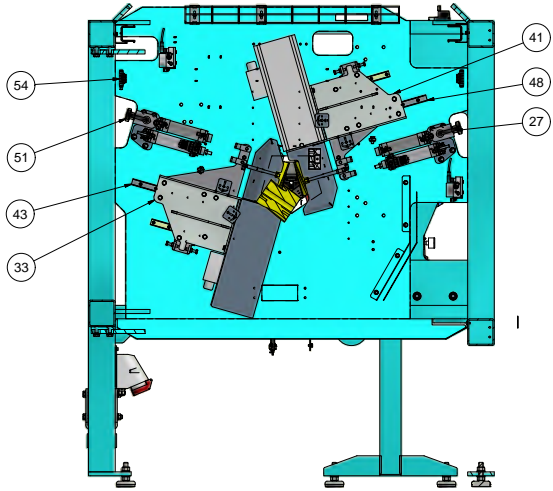


Break all edges

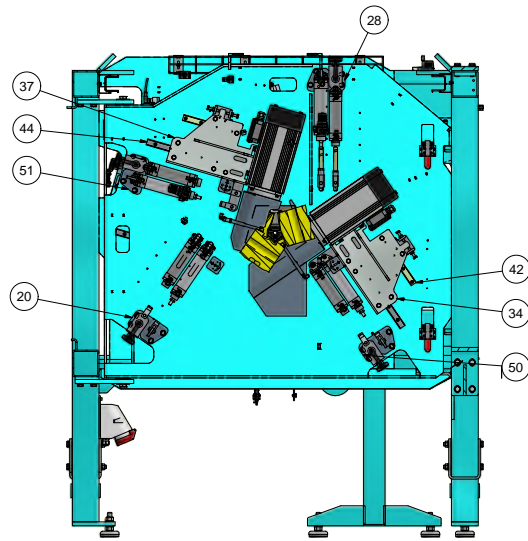
	Scale	1 : 10	Standard reference according to	DS/ISO 2768-m	Sheet size	A1
	Reference dimension	No	Reference dimension	No	Sheet	2 / 4
Part No. M101978 Name: HG 10 Hot Spray						

Revision	Approved	Date	Revision Description
4	KL	12-04-2018	3xCE, new skin remover, air blow valve

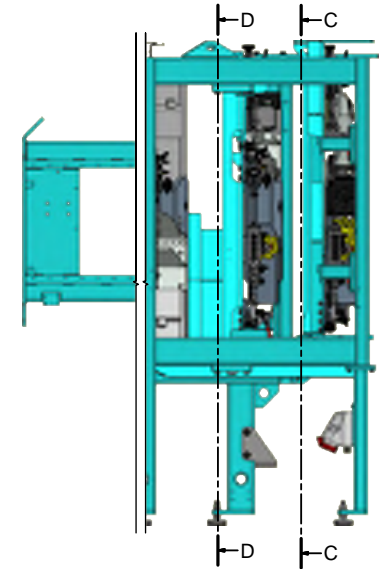
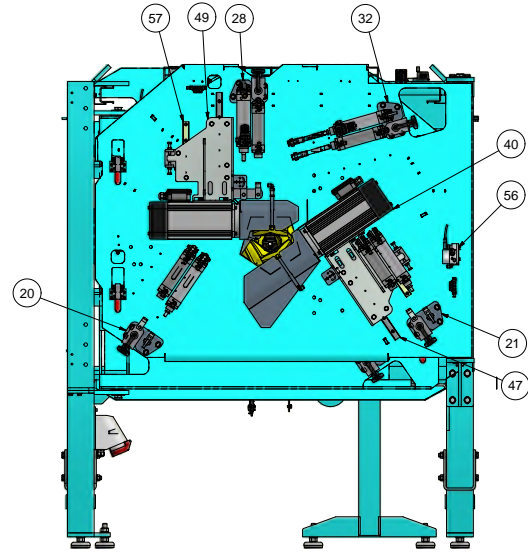
D-D (1 : 10)
SET 1



C-C (1 : 10)
SET 3



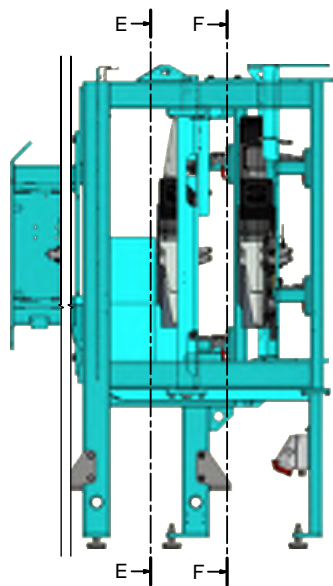
(1 : 10)
SET 5



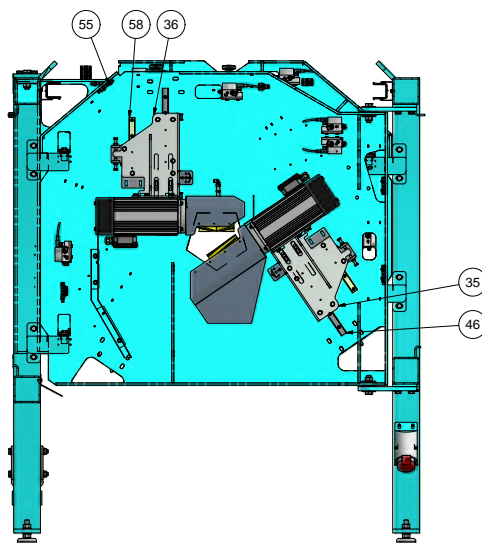
Break all edges

	Scale	1 : 10	Standard reference according to	DS/ISO 2768-m	Sheet size	A1
		Projection	Third angle projection	No	Sheet	3 / 4
Part No. M101978 Name: HG 10 Hot Spray						

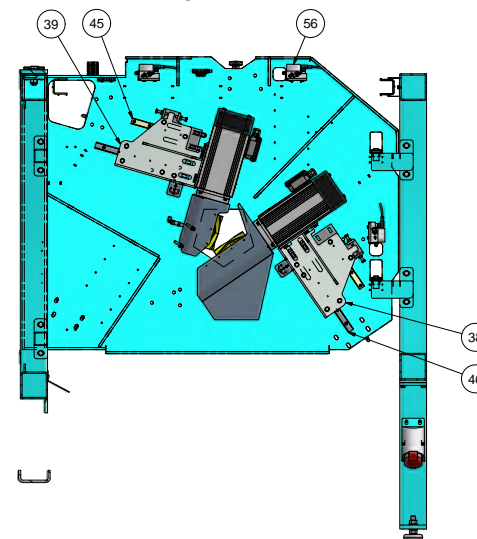
Revision	Approved	Date	Revision Description
4	KL	12-04-2018	3xCE, new skin remover, air blow valve



E-E (1 : 10)
SET 2



F-F (1 : 10)
SET 4

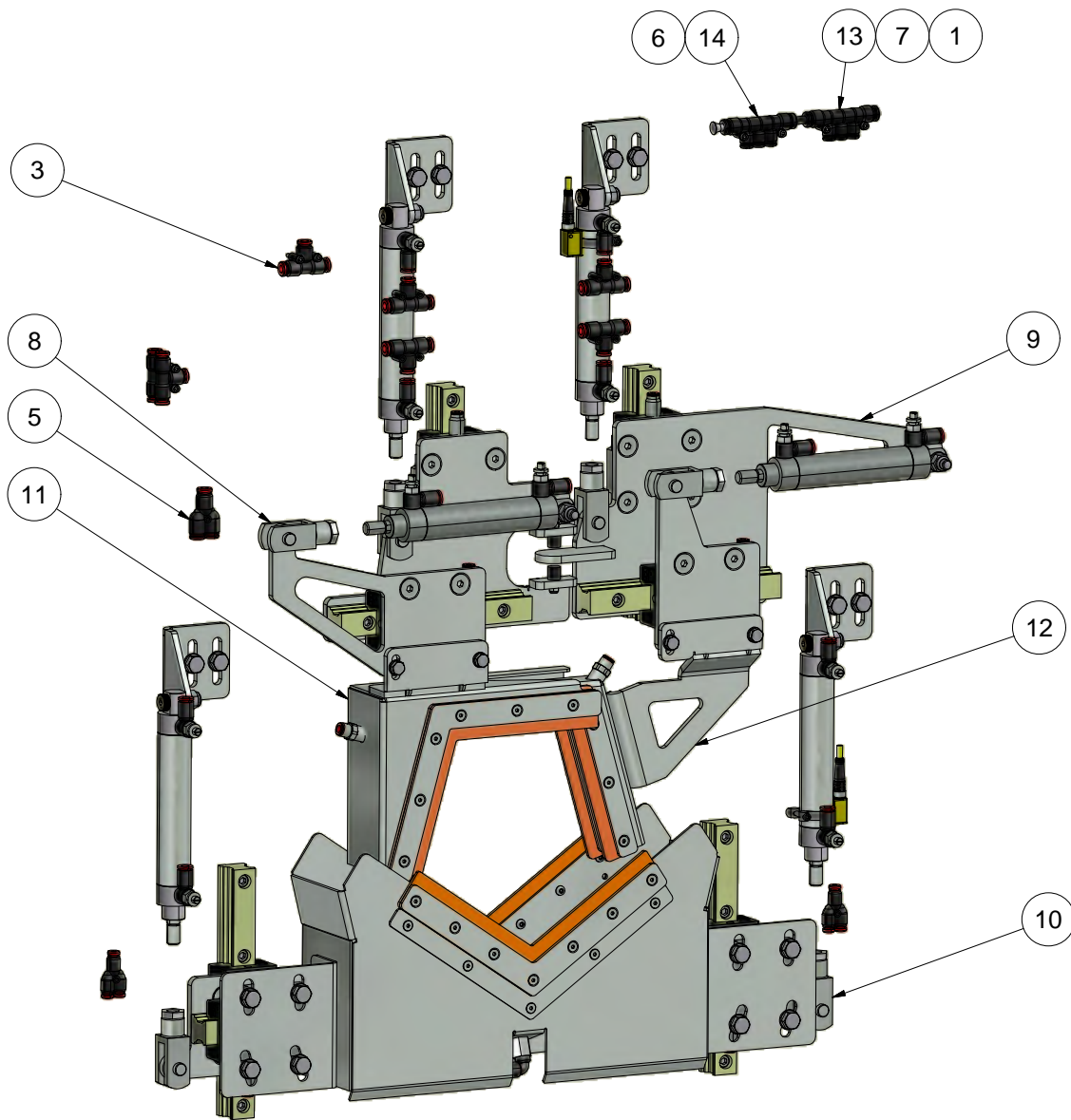


Break all edges

	Scale	1 : 10	Standard reference according to	DS/ISO 2768-m	Sheet size	A1
		Projection	Third angle projection	No	Sheet	4 / 4
Drawing No. M101978						

Revision	Approved	Date	Revision Description
4	KL	12-04-2018	3xCE, new skin remover, air blow valve

HG 10 Hot Spray	
Description:	

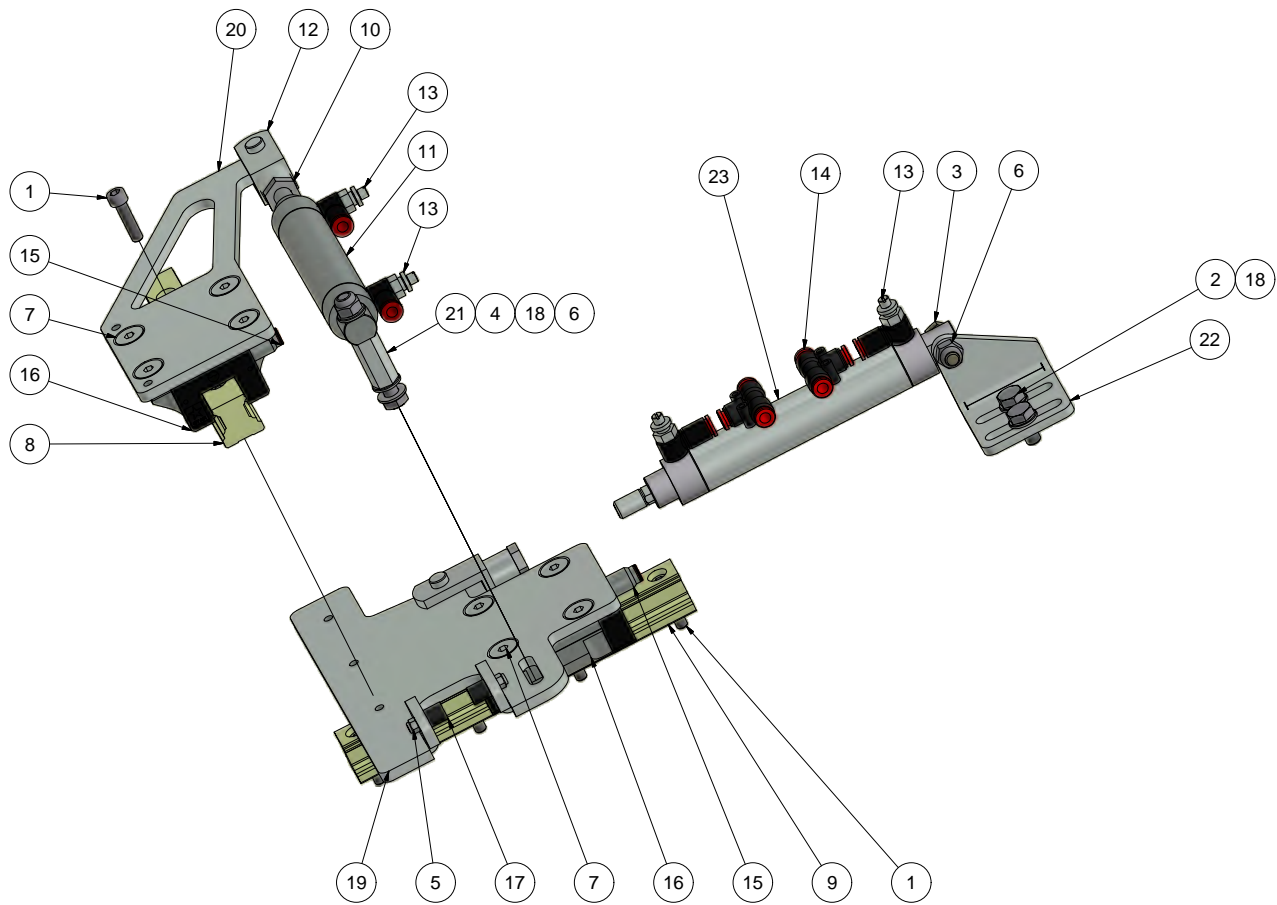


PARTS LIST			
ITEM	QTY	PART NUMBER	DESCRIPTION
1	6	10203020	Hexagon cylinder head M3x20 FZB
2	2	10203030	Hexagon cylinder head M3x30 FZB
3	3	215850	Tee <6 x <6 x <6
4	2	215857	Y-connector 2x<4 x <4
5	1	215860	Y-connector 2x<6 x <6
6	1	216748	Plug <6 mm
7	8	82103000	Washer M3 FZB
8	1	M101668	Left Moving Base
9	1	M101669	Right Moving Base
10	1	M101670	Bottom Lip
11	1	M101700	Top left head assembly
12	1	M101702	Top Right head assembly
13	1	M201140	Manifold <6 x 3x<4 x <6
14	1	M201160	Manifold stem <6 x 3x<4 x <6 pipe

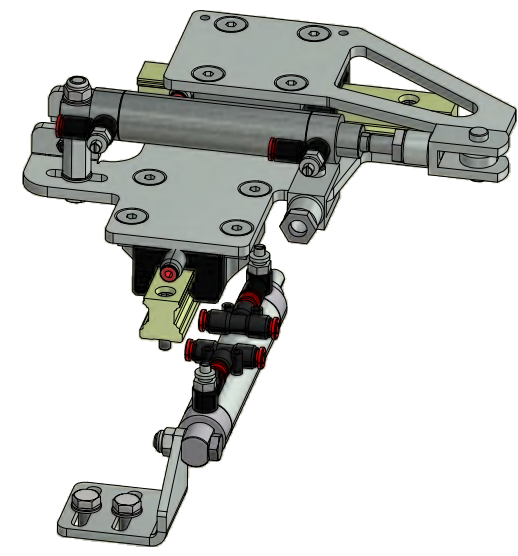
Break all edges

The information on this drawing is confidential and is not to be disclosed to any third party. HEIDENSTEDT GRUPPEN A/S		Scale: 1 : 4	Not specified tolerance according to: DS/ISO 2768-m	Sheet size: A3
		Surface properties: No		Sheet: 1 / 1
	Part No.: M101695	Material:		
	Description 1: Beam Washer HG10 Assembly			
Description 2:				

Revision:	Approved	Date:	Revision Description
1	MBO	19-02-2016	Made



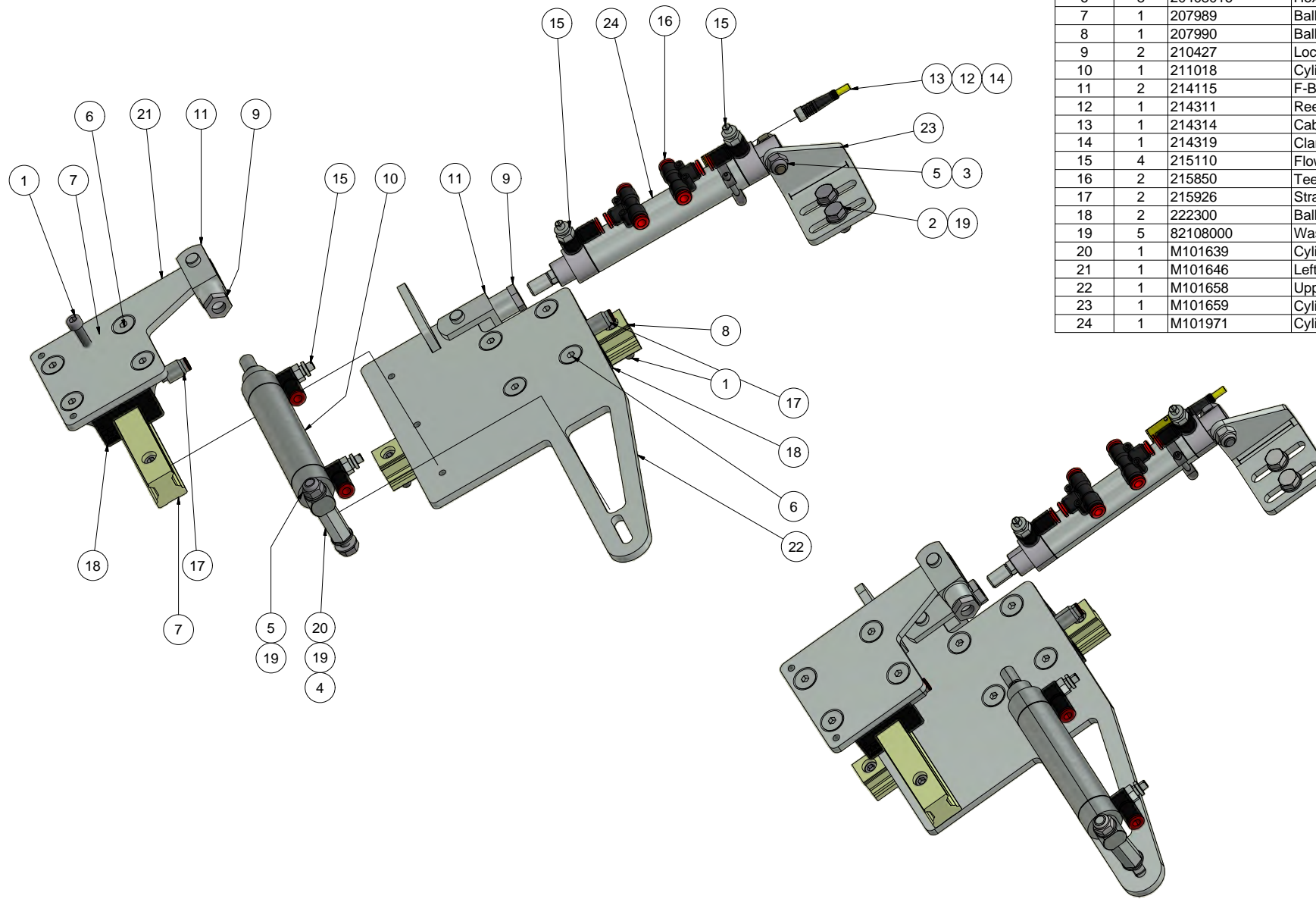
PARTS LIST			
ITEM	QTY	PART NUMBER	DESCRIPTION
1	7	10206025	Hexagon cylinder head M6x25 FZB
2	2	11408016	Hexagon bolt M8x16 FZB
3	1	11408030	Hexagon bolt M8x30 FZB
4	1	11408065	Hexagon bolt M8x65 FZB
5	2	17904000	Self-locking nut M4 FZB
6	2	17908000	Self-locking nut M8 FZB
7	8	20408016	Hexagon countersunk head M8x16 FZB
8	1	207989	Ball guide rail s.25/170mm
9	1	207990	Ball guide rail s.25/200mm
10	2	210427	Lock nut M10x1,25 FZB
11	1	211018	Cylinder RT/57225/M/80
12	2	214115	F-Bracket QM/8025/25
13	4	215110	Flow control banjo <6 x 1/8"t
14	2	215850	Tee <6 x <6 x <6
15	2	215926	Straight connector <4 x M6
16	2	222300	Ball runner block s.25 wide
17	2	222353	Vibration absorber <10x10 - M4
18	5	82108000	Washer M8 FZB
19	1	M101631	Upper Left Baseplate
20	1	M101633	Left Moving Plate
21	1	M101639	Cylinder spacer 30,4mm
22	1	M101659	Cylinder Bracket
23	1	M101971	Cylinder RT/57225/M/100



Revision	Approved	Date	Revision Description
1	MBO	13-01-2016	Made

Break all edges

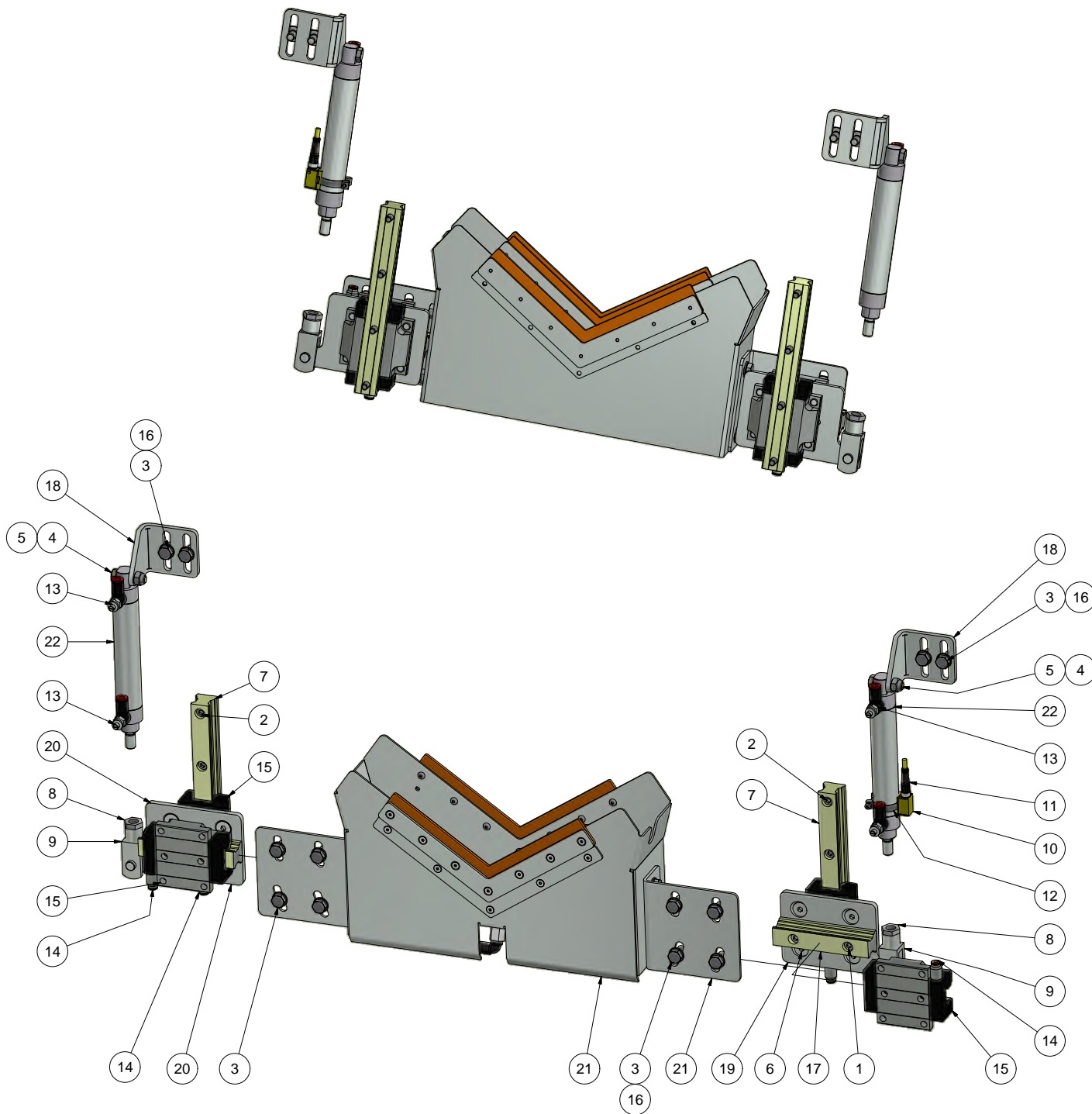
	Scale:	1 : 2	Not specified tolerance according to:	DS/ISO 2768-m	Sheet size:	A2
	Surface properties:	No	Material:		Sheet:	1 / 1
Part No.: M101668 Description 1: Left Moving Base Description 2:						



PARTS LIST			
ITEM	QTY	PART NUMBER	DESCRIPTION
1	7	10206025	Hexagon cylinder head M6x25 FZB
2	2	11408016	Hexagon bolt M8x16 FZB
3	1	11408030	Hexagon bolt M8x30 FZB
4	1	11408065	Hexagon bolt M8x65 FZB
5	2	17908000	Self-locking nut M8 FZB
6	8	20408016	Hexagon countersunk head M8x16 FZB
7	1	207989	Ball guide rail s.25/170mm
8	1	207990	Ball guide rail s.25/200mm
9	2	210427	Lock nut M10x1,25 FZB
10	1	211018	Cylinder RT/57225/M/80
11	2	214115	F-Bracket QM/8025/25
12	1	214311	Reed Inductive sensor for Roundline (Yellow)
13	1	214314	Cable w. plug M8 3P 3M
14	1	214319	Clamp for sensor < 8-25mm, KLP 25
15	4	215110	Flow control banjo <6 x 1/8"t
16	2	215850	Tee < 6 x < 6 x < 6
17	2	215926	Straight connector < 4 x M6
18	2	222300	Ball runner block s.25 wide
19	5	82108000	Washer M8 FZB
20	1	M101639	Cylinder spacer 30,4mm
21	1	M101646	Left Moving Plate
22	1	M101658	Upper Right Baseplate
23	1	M101659	Cylinder Bracket
24	1	M101971	Cylinder RT/57225/M/100

Break all edges			
	Scale:	Not specified tolerance according to:	Sheet size:
	1 : 2	DS/ISO 2768-m	A2
	Surface properties:	No	Sheet:
			1 / 1
Part No.:		Material:	
M101669			
Description 1: Right Moving Base			
Description 2:			

Revision:	Approved	Date:	Revision Description
1	MBO	13-01-2016	Made

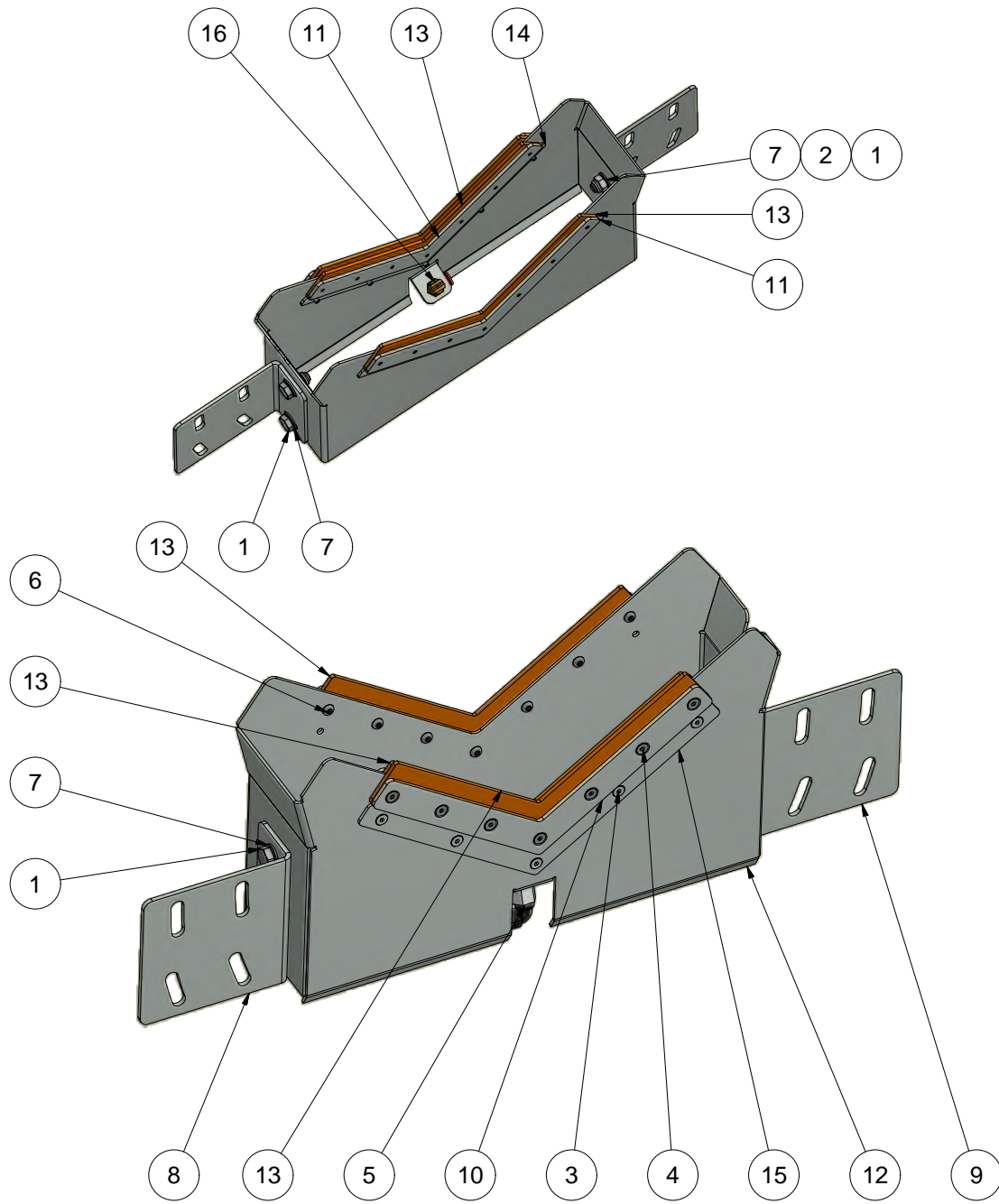


		PARTS LIST	
ITEM	QTY	PART NUMBER	DESCRIPTION
1	4	10206020	Hexagon cylinder head M6x20 FZB
2	8	10206025	Hexagon cylinder head M6x25 FZB
3	12	11408016	Hexagon bolt M8x16 FZB
4	2	11408030	Hexagon bolt M8x30 FZB
5	2	17908000	Self-locking nut M8 FZB
6	8	20408016	Hexagon countersunk head M8x16 FZB
7	2	207990	Ball guide rail s.25/200mm
8	2	210427	Lock nut M10x1,25 FZB
9	2	214115	F-Bracket QM/8025/25
10	1	214311	Reed Inductive sensor for Roundline (Yellow)
11	1	214314	Cable w. plug M8 3P 3M
12	1	214319	Clamp for sensor < 8-25mm, KLP 25
13	4	215110	Flow control banjo <6 x 1/8"t
14	4	215926	Straight connector < 4 x M6
15	4	222300	Ball runner block s.25 wide
16	12	82108000	Washer M8 FZB
17	2	M101647	Ball guide rail s.25/105mm
18	2	M101659	Cylinder Bracket
19	1	M101677	Bottom Cylinder Bracket Right
20	1	M101678	Bottom Cylinder Bracket Left
21	1	M101701	Bottom head assembly
22	2	M101971	Cylinder RT/57225/M/100

Break all edges

THE INFORMATION CONTAINED HEREIN IS UNCLASSIFIED DATE 08-11-2016 BY 60322/UCBAW/STP/AVS		Scale:	Not specified tolerance according to:	Sheet size:
		1 : 3	DS/ISO 2768-m	A2
	Material:		No	
Part No.:		M101670		
Description 1:		Bottom Lip		
Description 2:				

Revision:	Approved	Date:	Revision Description
1	MBO	13-01-2016	Made



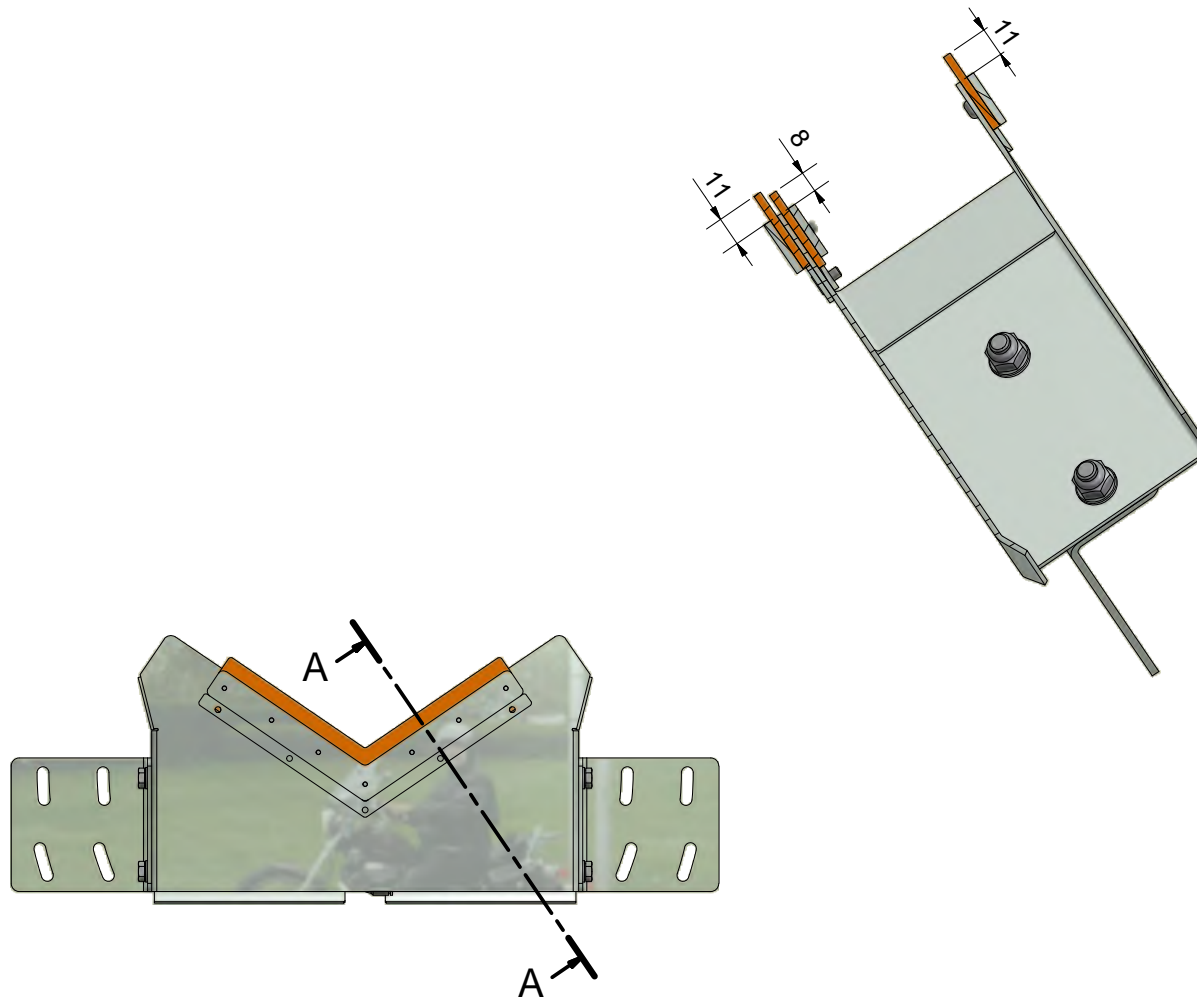
PARTS LIST			
ITEM	QTY	PART NUMBER	DESCRIPTION
1	4	12908020	Hexagon bolt M8x20 A2
2	4	17908000	Self-locking nut M8 FZB
3	5	20404010	Hexagon countersunk head M4x10 FZB
4	7	20404014	Hexagon countersunk head M4x14 FZB
5	1	215736	Elbow swivel < 6 x Female 1/8"
6	7	76004008	Bottomhead bolt M4x8 FZB.ipt
7	8	82108000	Washer M8 FZB
8	1	M101676	Bottom Lip Bracket Left
9	1	M101679	Bottom Lip Bracket Right
10	1	M101685	Clamp Plate
11	2	M101688	Clamp Plate
12	1	M101691	Bottom Lip
13	3	M101696	Rubber for Bottom
14	1	M101969	Lip Rubber Fixture 2
15	1	M101970	Lip Rubber Fixture 3
16	1	M200986	Nozzle, flatjet 1/8" 60gr 1120

Breake all edges

This drawing is the property of HEDENSTEDT GRUPPEN A/S. It is not to be copied, reproduced, or disseminated to any third party.		Scale:	Not specified tolerance according to:	Sheet size:	
		1 : 3	DS/ISO 2768-m	A3	
			Surface properties:	No	Sheet:
					1 / 2
	Part No.:	M101701			
	Description 1:	Bottom head assembly			
	Description 2:				

Revision:	Approved	Date:	Revision Description
1	MBO	13-01-2016	Made

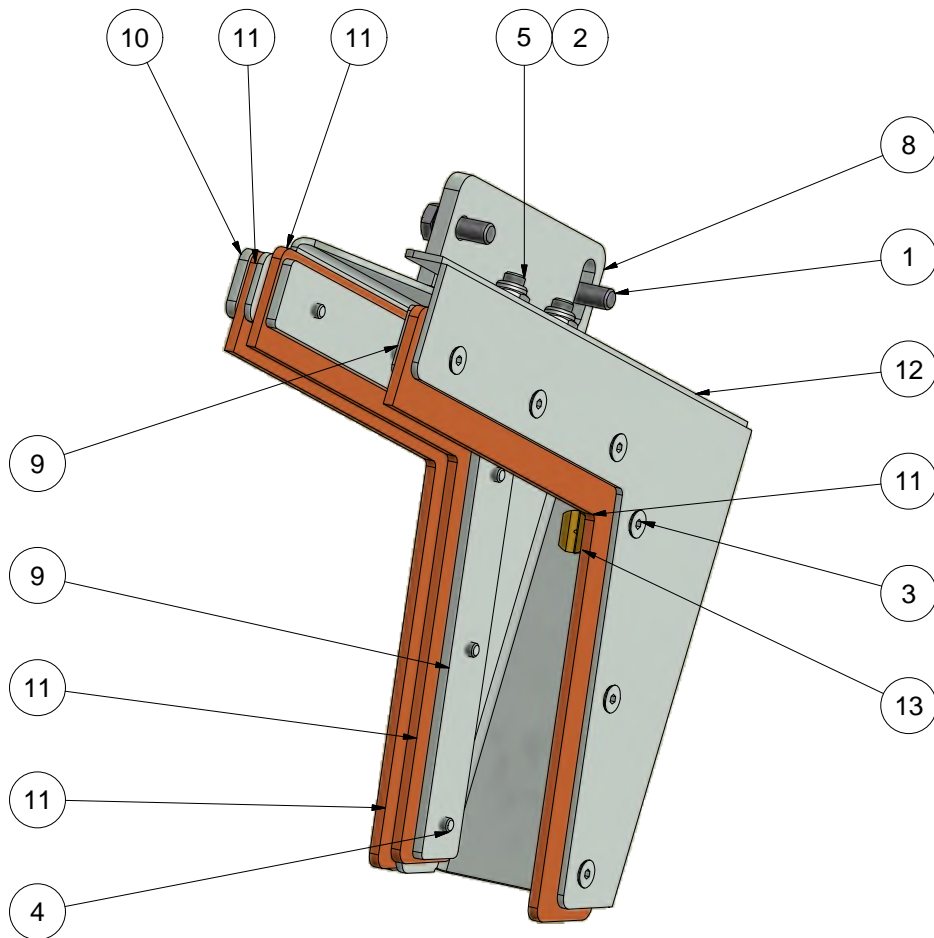
A-A (1:2)



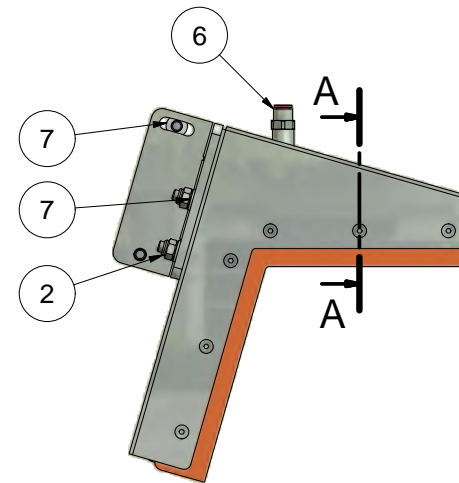
Breake all edges

HG HEIDENSTEDT GRUPPEN A/S <small>Alle tekniske tegninger er beskyttet af ophavsret og må kun bruges til den pågældende ordre. Ingen del af disse tegninger må kopieres eller videregives til andre uden tilladelse fra HEIDENSTEDT GRUPPEN A/S.</small>	Scale:	Not specified tolerance according to:	Sheet size:
	1 : 3	DS/ISO 2768-m	A3
	Surface properties:	No	Sheet:
			2 / 2
Part No.:	Material:		
M101701			
Description 1:	Bottom head assembly		
Description 2:			

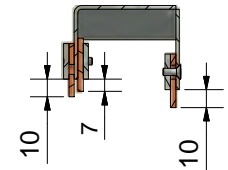
Revision:	Approved	Date:	Revision Description
1	MBO	13-01-2016	Made



PARTS LIST			
ITEM	QTY	PART NUMBER	DESCRIPTION
1	2	11406016	Hexagon bolt M6x16 FZB
2	2	17906000	Self-locking nut M6 FZB
3	6	20404010	Hexagon countersunk head M4x10 FZB
4	6	20404016	Hexagon countersunk head M4x16 FZB
5	2	20406020	Hexagon countersunk head M6x20 FZB
6	1	215925	Straight connector < 6 x 1/8"
7	4	82106000	Chamfered Washer M6 FZB
8	1	M101681	Left Lip House Bracket
9	2	M101684	Clamp Plate
10	1	M101687	Clamp Plate
11	3	M101698	Rubber for Left Upper Lip
12	1	M101703	Left Lip House
13	1	M200986	Nozzle flat jet 1-8 60gr



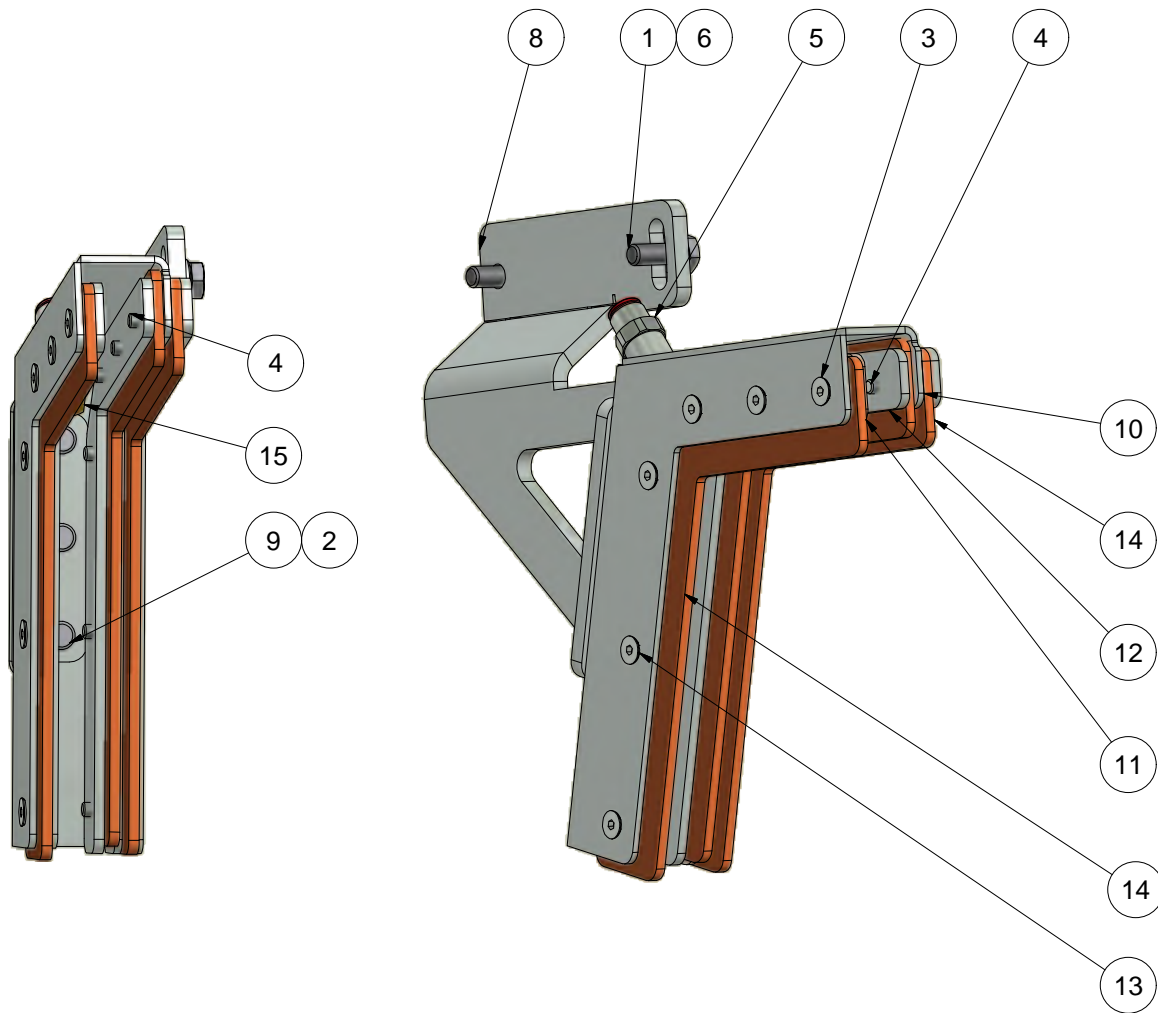
A-A (1 : 3)



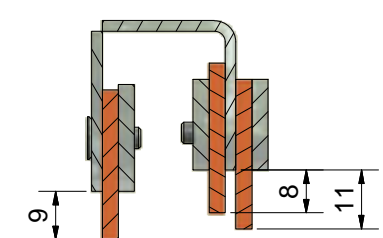
Breake all edges

The drawing is a technical drawing and is not to be used for manufacturing without the approval of the design department.		Scale:	Not specified tolerance according to:	Sheet size:
		1 : 1,5	DS/ISO 2768-m	A3
			Surface properties:	Sheet:
		No	1 / 1	
Part No.:		Material:		
M101700				
Description 1:				
Top left head assembly				
Description 2:				

Revision:	Approved	Date:	Revision Description
1	KL	18-02-2016	Made



PARTS LIST			
ITEM	QTY	PART NUMBER	DESCRIPTION
1	2	11406016	Hexagon bolt M6x16 FZB
2	3	11408016	Hexagon bolt M8x16 FZB
3	6	20404010	Hexagon countersunk head M4x10 FZB
4	6	20404016	Hexagon countersunk head M4x16 FZB
5	1	215925	Straight connector < 6 x 1/8"
6	2	82106000	Chamfered Washer M6 FZB
7	3	82108000	Chamfered Washer M8 FZB
8	1	M101682	Right Lip House Bracket
9	1	M101683	Clamp Plate
10	1	M101686	Clamp Plate
11	1	M101689	Clamp Plate
12	1	M101690	Clamp Plate
13	1	M101692	Right Lip House
14	3	M101697	Right Upper Lip
15	1	M200986	Nozzle flat jet 1-8 60gr

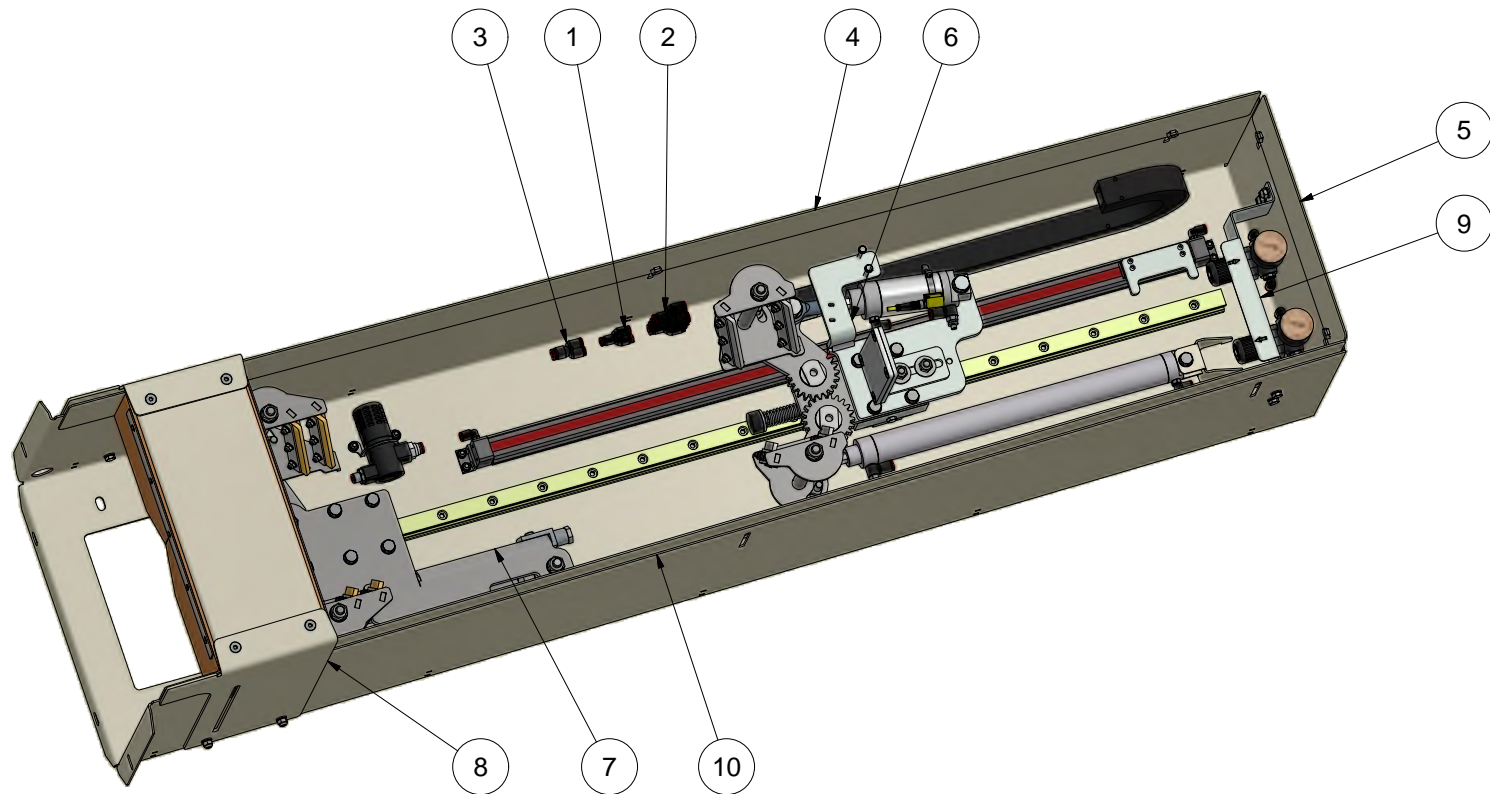


Revision:	Approved	Date:	Revision Description
1	KL	18-02-2016	Made

Breake all edges

	Scale:	Not specified tolerance according to:	Sheet size:
	1 : 1,5	DS/ISO 2768-m	A3
	Surface properties:	No	Sheet:
			1 / 1
Part No.:	Material:		
M101702			
Description 1:	Top Right head assembly		
Description 2:			

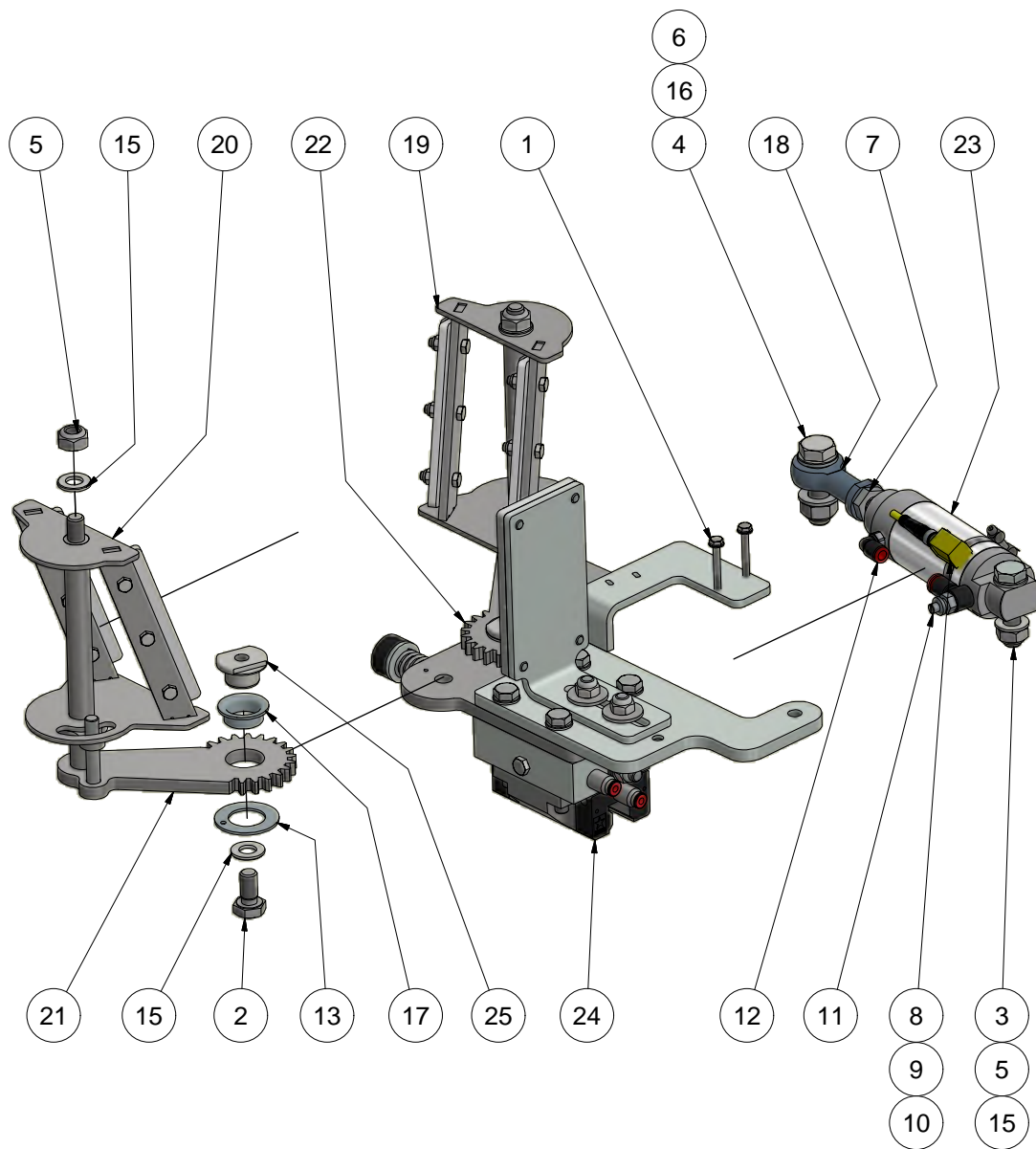
PARTS LIST			
ITEM	QTY	PART NUMBER	DESCRIPTION
1	1	215857	Y-connector 2x< 4 x < 4
2	4	215860	Y-connector 2x< 6 x < 6
3	1	215876	Y-connector 2x< 4 x < 6
4	2	M103236	Side skirt M2018
5	1	M103237	End skirt model 2018
6	1	M103282	Back clamp for skin remover model 2018
7	1	M103283	Front clamp for skin remover model 2018
8	1	M103289	Sawdust shelf for HG 10, model 2018
9	1	M103291	Regulator assembly, HG10
10	1	M103292	Skin mover assembly_1 HG10 - Model 2018



Break all edges

This drawing is the property of HEDENSTED GRUPPEN A/S. It is not to be copied, reproduced, or disseminated to any third parties.			Scale:	Not specified tolerance according to:	Sheet size:	
			1 : 6	DS/ISO 2768-m	A3	
				Surface properties:	No	Sheet:
						1 / 1
		Part No.:	Material:			
		M103219				
		Description 1:	Description 2:			
		Skin mover assembly_2 HG10 - Model 2018				

Revision:	Approved	Date:	Revision Description
3	KL	16-04-2018	Y-connector 2x< 4 x < 6 added



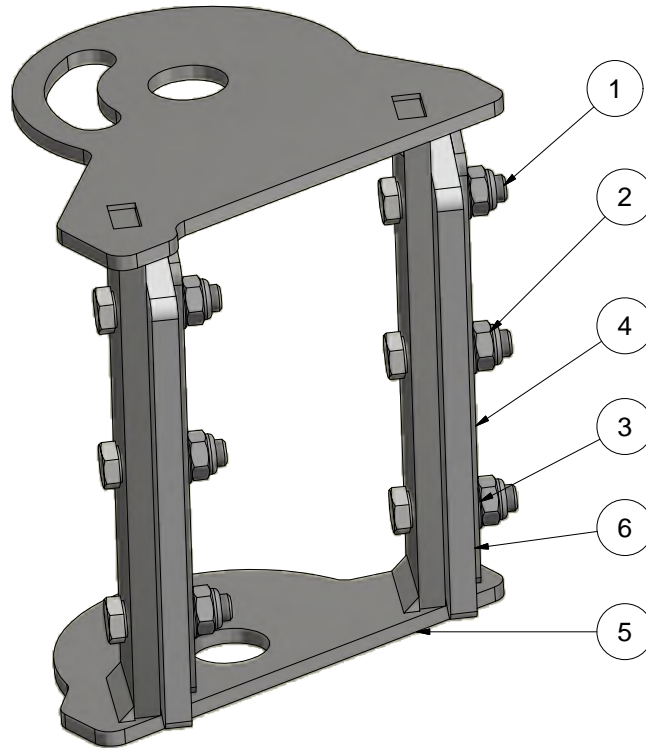
PARTS LIST			
ITEM	QTY	PART NUMBER	DESCRIPTION
1	2	11104035	Hexagon bolt M4x35 FZB
2	2	11410020	Hexagon bolt M10x20 FZB
3	1	11410045	Hexagon bolt M10x45 FZB
4	1	11412045	Hexagon bolt M12x45 FZB
5	3	17910000	Self-locking nut M10 FZB
6	1	17912000	Self-locking nut M12 FZB
7	1	210428	Lock nut M12x1,25 FZB
8	1	214311	Reed Inductive sensor for Roundline (Yellow)
9	1	214313	Cable w. plug M8 3P 10M
10	1	214321	Clamp for sensor < 25-80mm, KLP 80-VA
11	1	215110	Flow control banjo <6 x 1/8"t
12	1	215730	Elbow swirvel < 6 x 1/8"t
13	2	222597	Slide washer < 22x< 38 x1,5
14	2	82104000	Washer M4 FZB
15	6	82110000	Washer M10 FZB
16	2	82112000	Washer M12 FZB
17	2	M100856	Slide bearing $\varnothing 20 \times 23 - 8\text{mm}$
18	1	M101451	UF bracket QM/8040/32
19	1	M101673	Skinclamp for HG10, Right back
20	1	M101674	Skinclamp for HG10, Left back
21	1	M103227	Clamp arm HG10, Left back, model 2018
22	1	M103228	Clamp arm HG10, Right back, model 2018
23	1	M103241	Cylinder RT/57240/M/40
24	1	M103298	Base assembly for back clamp
25	2	M200340	Shaft for arm

Break all edges

This drawing is the property of HEDENSTEDT GRUPPEN A/S. It is not to be copied or disclosed to any third party.		Scale: 1 : 3	Not specified tolerance according to: DS/ISO 2768-m	Sheet size: A3	
		Surface properties: No		Sheet: 1/1	
	Part No.: M103282	Material:			
	Description 1: Back clamp for skin remover model 2018	Description 2:			

Revision:	Approved	Date:	Revision Description
1	KL	09-04-2018	Made

PARTS LIST			
ITEM	QTY	PART NUMBER	DESCRIPTION
1	6	11405020	Hexagon bolt M5x20 FZB
2	6	17905000	Self-locking nut M5 FZB
3	6	82105900	Washer M5 FZB
4	2	M100514	Tension plate for clamp
5	1	M101671	Base for skinclamp, Right back
6	2	M103295	Plastic for back skinclamp, HG10

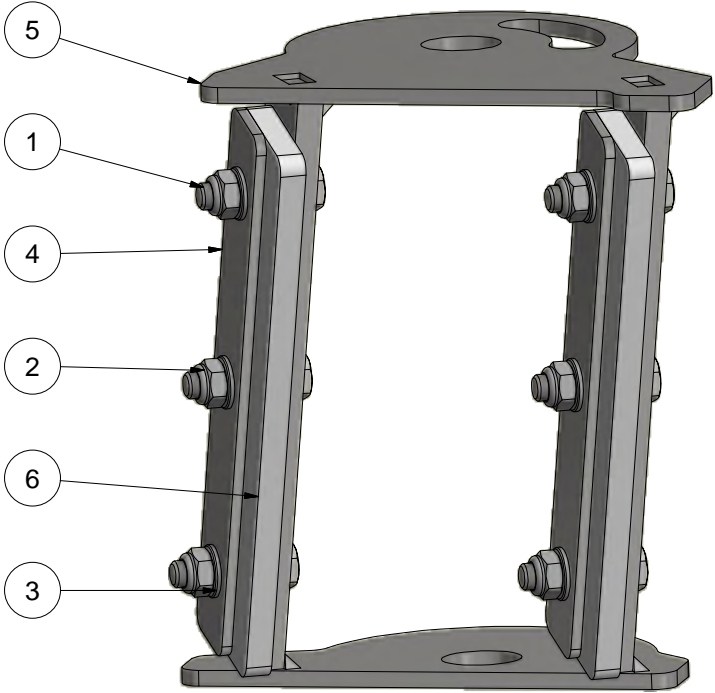


Break all edges

<small>Alle Rechte vorbehalten. Nachdruck, Vervielfältigung und Verbreitung, auch auszugsweise, ist ohne schriftliche Genehmigung der HEDENSTEDT GRUPPEN AG. Nachdruck ist ausdrücklich untersagt. Nachdruck ist ausdrücklich untersagt. Nachdruck ist ausdrücklich untersagt.</small>		Scale: 1 : 1	Not specified tolerance according to: DS/ISO 2768-m	Sheet size: A3	
		Surface properties: No	Sheet: 1 / 1		
	Part No.: M101673	Material:			
	Description 1: Skinclamp for HG10, Right back	Description 2:			

Revision:	Approved	Date:	Revision Description
2	KL	05-04-2018	Rubber tooth changed to plastic

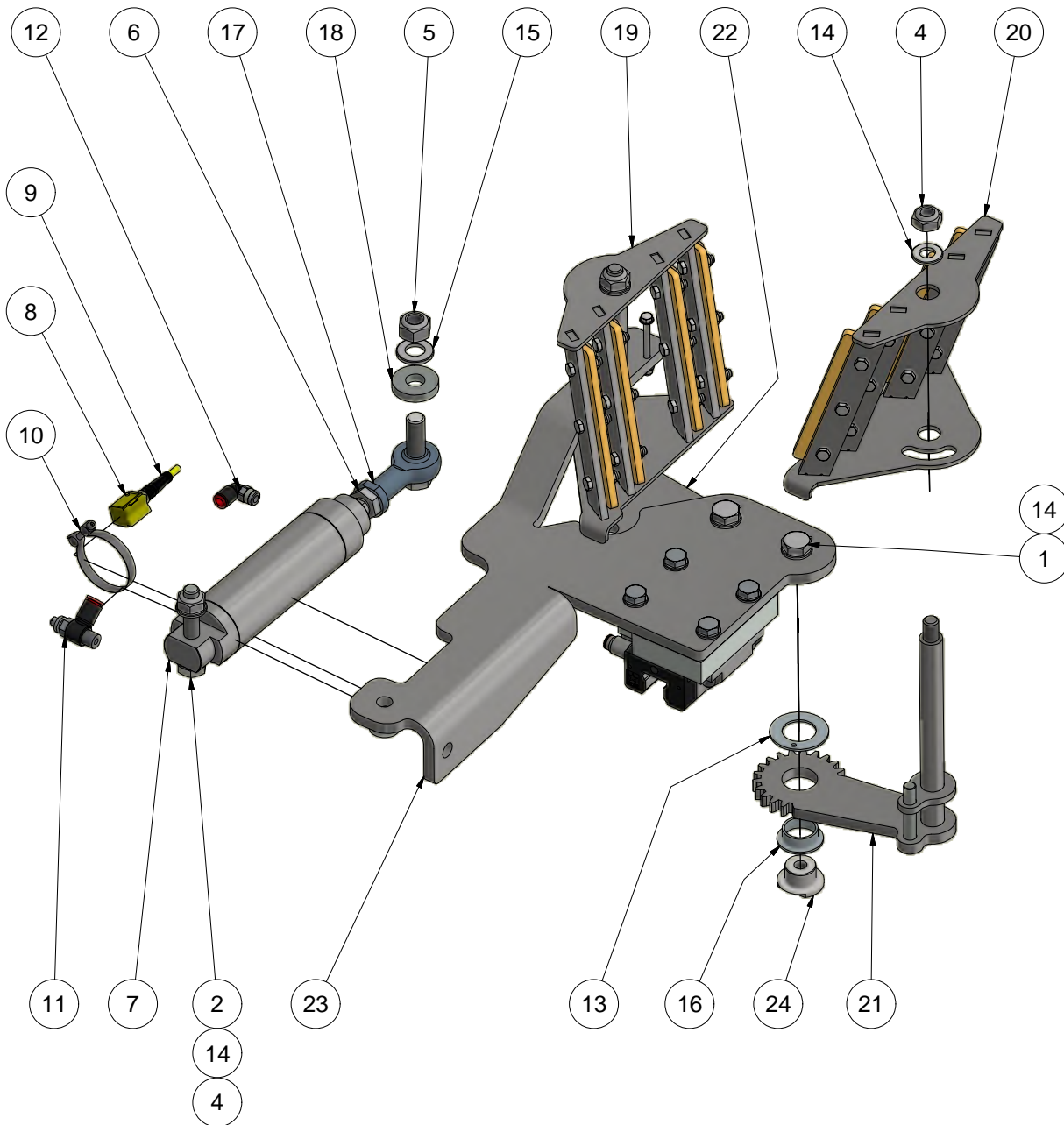
PARTS LIST			
ITEM	QTY	PART NUMBER	DESCRIPTION
1	6	11405020	Hexagon bolt M5x20 FZB
2	6	17905000	Self-locking nut M5 FZB
3	6	82105900	Washer M5 FZB
4	2	M100514	Tension plate for clamp
5	1	M101672	Base for skinclamp, Left back
6	2	M103295	Plastic for back skinclamp, HG10



Break all edges

The information on this drawing is the property of HEDENSTEDT GRUPPEN A/S. It is not to be copied or disclosed to any third person.		Scale: 1 : 1	Not specified tolerance according to: DS/ISO 2768-m	Sheet size: A3	
		Surface properties: No		Sheet: 1 / 1	
	Part No.: M101674	Material:			
	Description 1: Skinclamp for HG10, Left back	Description 2:			

Revision:	Approved	Date:	Revision Description
2	KL	05-04-2018	Rubber tooth changed to plastic



PARTS LIST			
ITEM	QTY	PART NUMBER	DESCRIPTION
1	2	11410020	Hexagon bolt M10x20 FZB
2	1	11410060	Hexagon bolt M10x60 FZB
3	1	11412045	Hexagon bolt M12x45 FZB
4	3	17910000	Self-locking nut M10 FZB
5	1	17912000	Self-locking nut M12 FZB
6	1	210428	Lock nut M12x1,25 FZB
7	1	211014	Cylinder RT/57240/M/80
8	1	214311	Reed Inductive sensor for Roundline (Yellow)
9	1	214313	Cable w. plug M8 3P 10M
10	1	214321	Clamp for sensor < 25-80mm, KLP 80-VA
11	1	215110	Flow control banjo < 6 x 1/8"t
12	1	215730	Elbow swivel < 6 x 1/8"t
13	2	222597	Slide washer < 22x< 38 x1,5
14	6	82110000	Washer M10 FZB
15	1	82112000	Washer M12 FZB
16	2	M100856	Slide bearing $\varnothing 20 \times 23$ - 8mm
17	1	M101451	UF bracket QM/8040/32
18	1	M101708	Spacer for cylinder $\varnothing 2,5$ - $\varnothing 30$ - 6
19	1	M101717	Skinclamp for HG10, Left front
20	1	M101718	Skin clamp for HG, Right front
21	1	M101721	Clamp arm HG10, Right front
22	1	M101722	Clamp arm HG10, Left front
23	1	M103299	Base assembly for front clamp
24	2	M200340	Shaft for arm

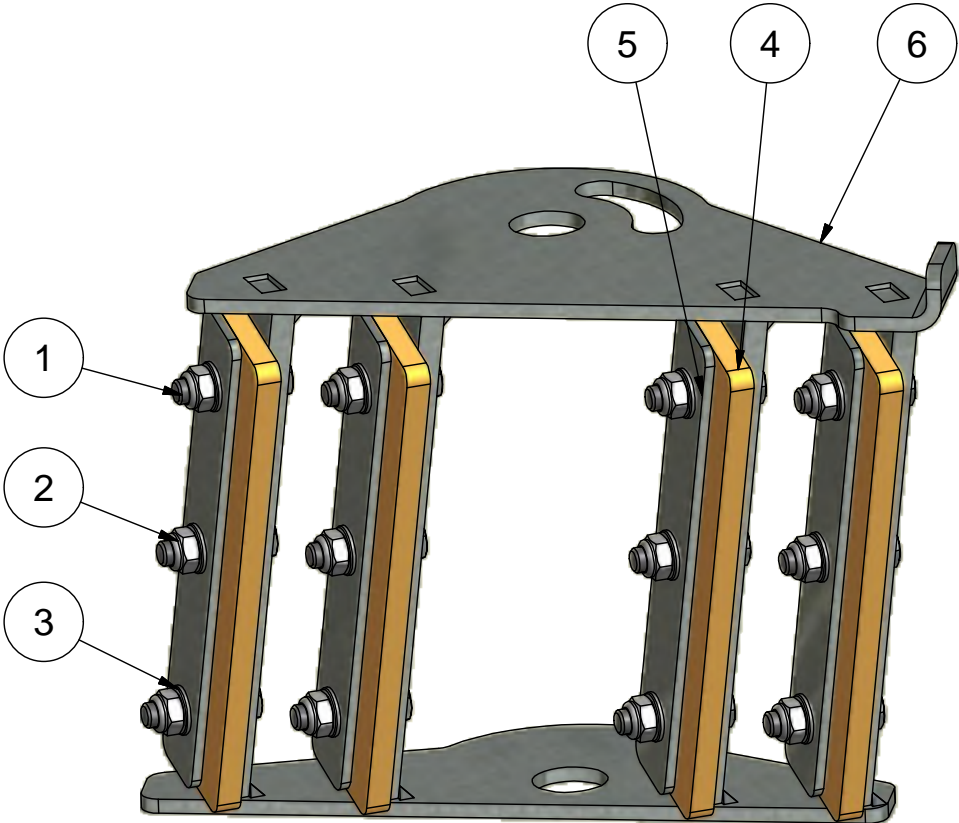
Break all edges

This drawing is the property of HEIDENSTEDT GRUPPEN A/S. It is not to be copied, reproduced or disclosed to any third parties.			Scale:	Not specified tolerance according to:	Sheet size:	
			1 : 3	DS/ISO 2768-m	A3	
				Surface properties:	No	Sheet:
						1 / 1
Part No.:		M103283				
Description 1:		Front clamp for skin remover model 2018				
Description 2:						

Revision:	Approved	Date:	Revision Description
1	KL	09-04-2018	Made

PARTS LIST

ITEM	QTY	PART NUMBER	DESCRIPTION
1	12	11405020	Hexagon bolt M5x20 FZB
2	12	17905000	Self-locking nut M5 FZB
3	12	82105900	Chamfered Washer M5 FZB
4	4	M100513	Rubber for skinclamp
5	4	M100514	Tension plate for clamp
6	1	M101719	Base for skinclamp, Left front

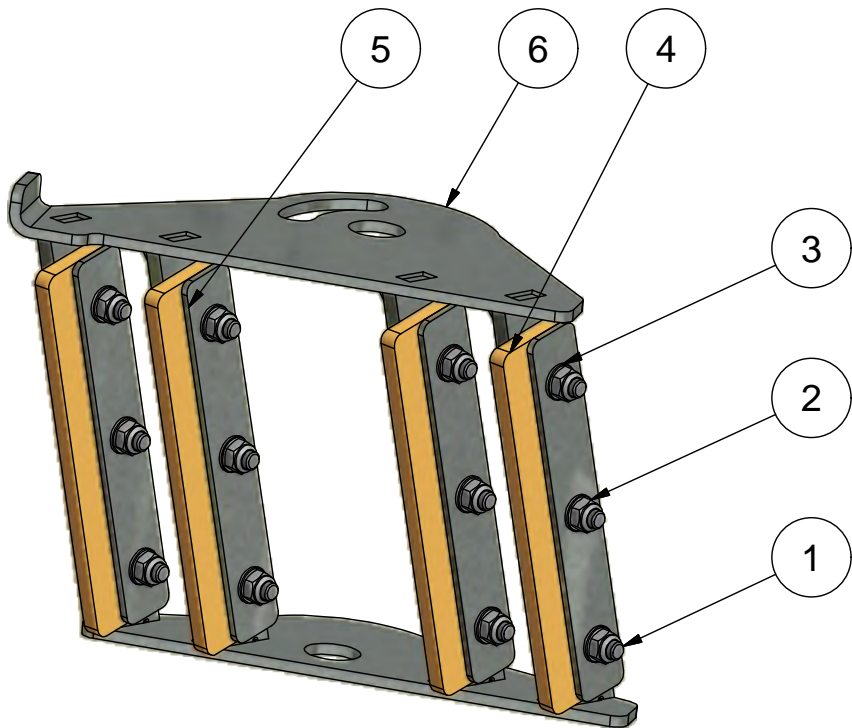


Breake all edges

This document is strictly confidential and must on no account be copied or disclosed to any third person. HEDENSTED GRUPPEN A/S		Scale:	Not specified tolerance according to:	Sheet size:	
		1 : 1,5	DS/ISO 2768-m	A4	
	Part No.:		Surface properties:		Sheet:
			No		1 / 1
Part No.:		Material:			
M101717					
Description 1:					
Skinclamp for HG10, Left front					
Description 2:					

Revision:	Approved	Date:	Revision Description
1	KL	20-01-2016	Made

PARTS LIST			
ITEM	QTY	PART NUMBER	DESCRIPTION
1	12	11405020	Hexagon bolt M5x20 FZB
2	12	17905000	Self-locking nut M5 FZB
3	12	82105900	Chamfered Washer M5 FZB
4	4	M100513	Rubber for skinclamp
5	4	M100514	Tension plate for clamp
6	1	M101720	Base for skinclamp, Right front

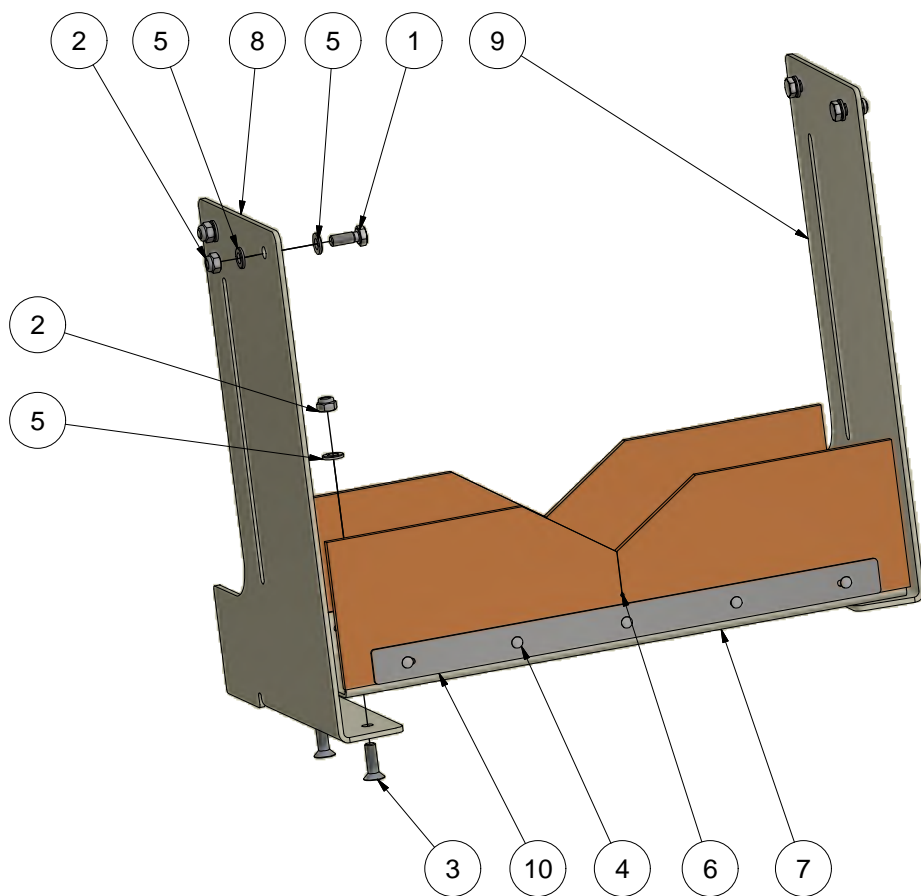


Breake all edges


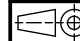
This document is strictly confidential and must on no account be copied or disclosed to any third person. HEDENSTED GRUPPEN A/S		Scale:	Not specified tolerance according to:	Sheet size:	
		1 : 2	DS/ISO 2768-m	A4	
	Part No.:		Surface properties:		Sheet:
			No		1 / 1
Part No.:		Material:			
M101718					
Description 1:					
Skin clamp for HG, Right front					
Description 2:					

Revision:	Approved	Date:	Revision Description
1	KL	20-01-2016	Made

PARTS LIST			
ITEM	QTY	PART NUMBER	DESCRIPTION
1	4	11406016	Hexagon bolt M6x16 FZB
2	8	17906000	Self-locking nut M6 FZB
3	4	20406020	Hexagon countersunk head M6x20 FZB
4	10	7003212	Blind rivet < 3,2x12 (7-9)
5	12	82106000	Washer M6 FZB
6	2	M101713	Rubber for sawdust Shelf HG10
7	1	M103240	Bottom plate for sawdust shelf, model 2018
8	1	M10711	Sidepanel for Sawdust shelf, right
9	1	M10712	Sidepanel 1 for Sawdust shelf, left
10	2	M10729	Mounting plate for Rubber

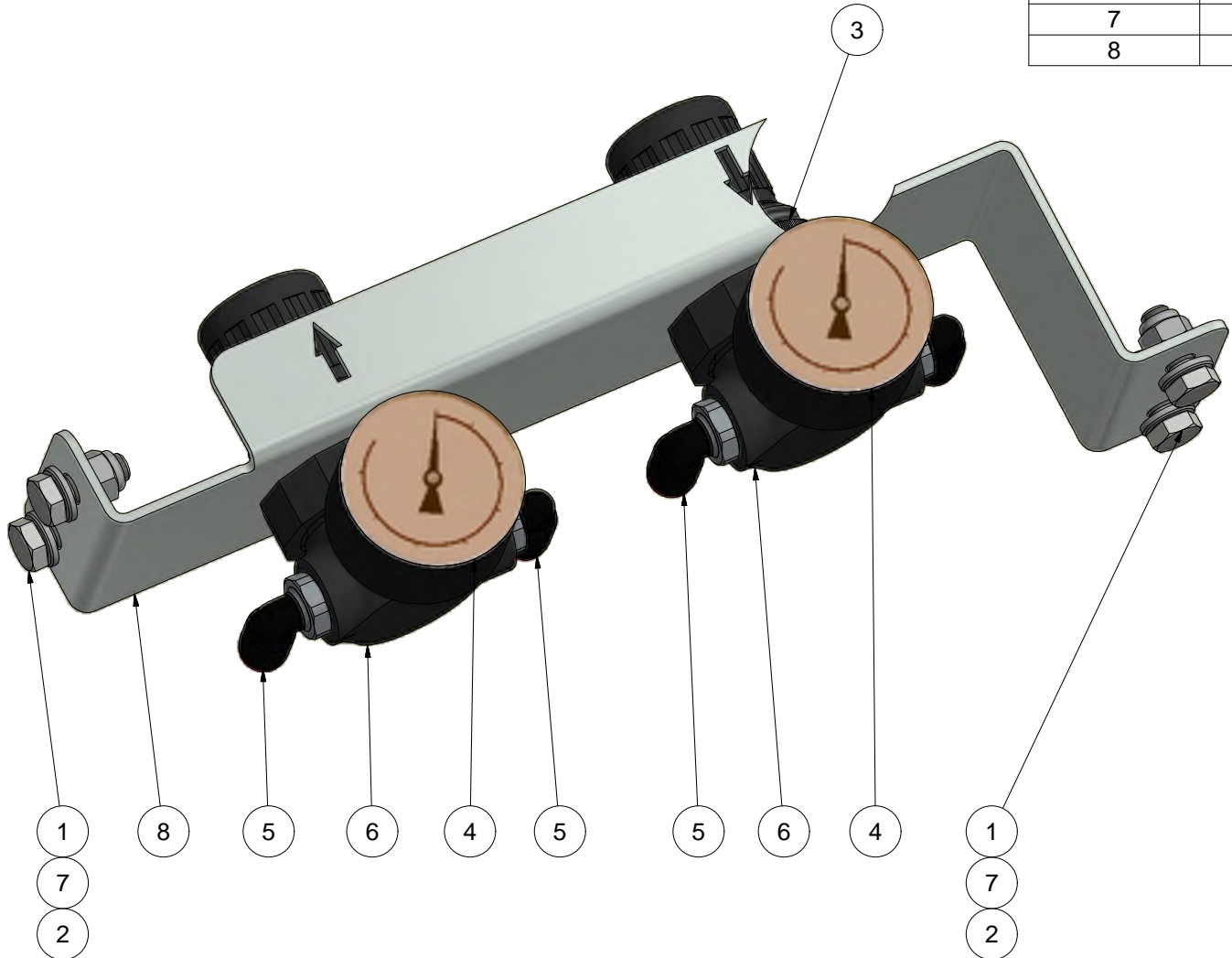


Break all edges

The information on this drawing is the property of HEDENSTED GRUPPEN A/S. It is not to be copied or disclosed to any third person.			Scale:	Not specified tolerance according to:	Sheet size:	
			1 : 3	DS/ISO 2768-m	A3	
				Surface properties:	No	Sheet:
					1 / 1	
Part No.:		M103289				
Description 1:		Sawdust shelf for HG 10, model 2018				
Description 2:						

Revision:	Approved	Date:	Revision Description
1	KL	03-04-2018	Made

PARTS LIST			
ITEM	QTY	PART NUMBER	DESCRIPTION
1	4	11406016	Hexagon bolt M6x16 FZB
2	4	17906000	Self-locking nut M6 FZB
3	2	215535	Nut, panel mount 2962-04
4	2	215550	Gauge 0-10 bar 1/8" < 40
5	4	215760	Elbow swirvel < 6 x 1/8"
6	2	216205	Regulator 1/8" 0,3-3,5 bar
7	8	82106000	Washer M6 FZB
8	1	M103290	Bracket for regulators



Break all edges

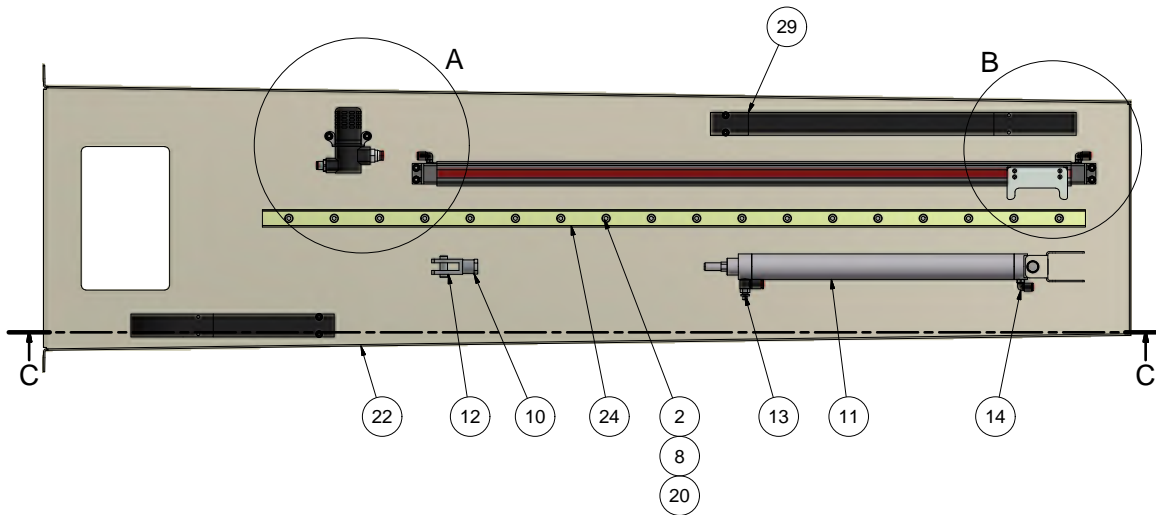
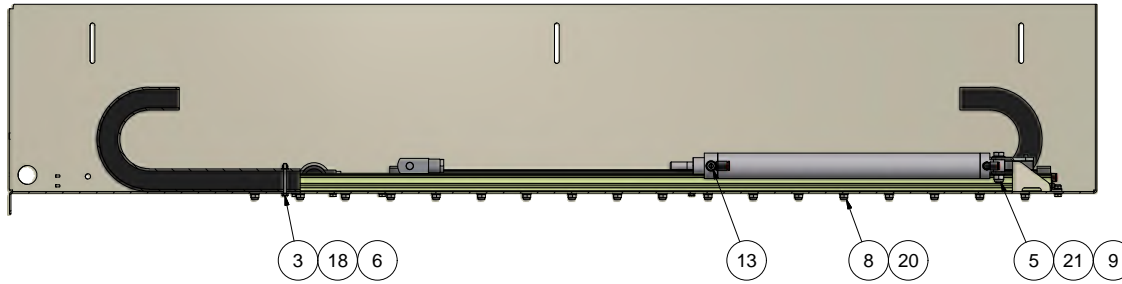
<small>Alle Rechte vorbehalten. Nachdruck, Vervielfältigung und Verbreitung, auch auszugsweise, ist ohne schriftliche Genehmigung der HEDENSTEDT GRUPPEN AS. HEDENSTEDT GRUPPEN AS</small>		Scale: 1 : 1	Not specified tolerance according to: DS/ISO 2768-m	Sheet size: A3
			Surface properties: No	Sheet: 1 / 1
	Part No.: M103291	Material:		
	Description 1: Regulator assembly, HG10			
Description 2: Skin remover				

Revision:	Approved	Date:	Revision Description
1	KL	09-04-2018	Made

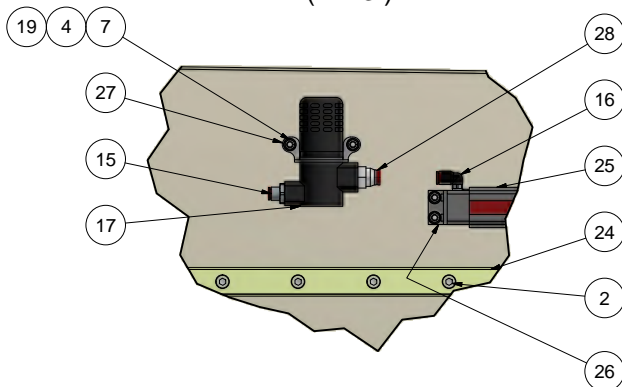
PARTS LIST

ITEM	QTY	PART NUMBER	DESCRIPTION
1	4	10203008	Hexagon cylinder head M3x08 FZB
2	18	10206025	Hexagon cylinder head M6x25 FZB
3	4	11104040	Hexagon bolt M4x40 FZB
4	6	11405012	Hexagon bolt M5x12 FZB
5	1	11408035	Hexagon bolt M8x35 FZB
6	4	17904000	Self-locking nut M4 FZB
7	6	17905000	Self-locking nut M5 FZB
8	18	17906000	Self-locking nut M6 FZB
9	1	17908000	Self-locking nut M8 FZB
10	1	210427	Lock nut M10x1,25 FZB
11	1	211012	Cylinder RT/57232/M/320
12	1	214115	F-Bracket QM/8025/25
13	1	215110	Flow control banjo <6 x 1/8"t
14	1	215730	Elbow swirvel <6 x 1/8"t
15	1	215930	Straight connector <6 x 1/4"
16	2	216550	Elbow swivel <6 x M5
17	1	216755	Valve, Quick exhaust 1/4"
18	8	82104000	Washer M4 FZB
19	12	82105900	Washer M5 FZB
20	18	82106000	Washer M6 FZB
21	2	82108000	Washer M8 FZB
22	1	M103218	Cover for skin mover model 2018
23	1	M103222	Bracket for lintra cylinder
24	1	M103238	Ball guide rail s.25/1090mm
25	1	M103242	Cylinder Lintra M/146016/750
26	2	M103243	C-Bracket QM/146016/21
27	1	M103293	Bracket for quick exhaust valve
28	1	M103294	Straight connector <6 x 3/8"
29	1,3 m	M200327	Energi chain kolibri 30x30mm

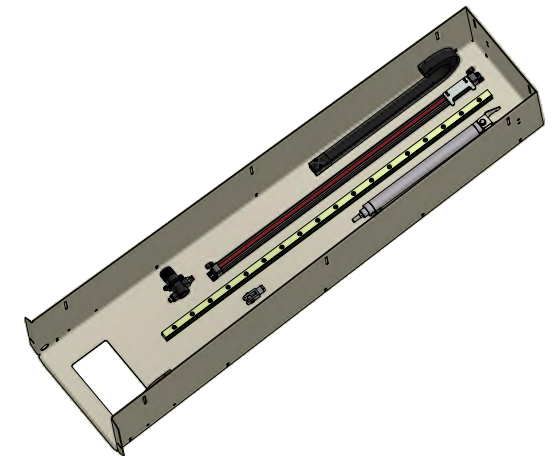
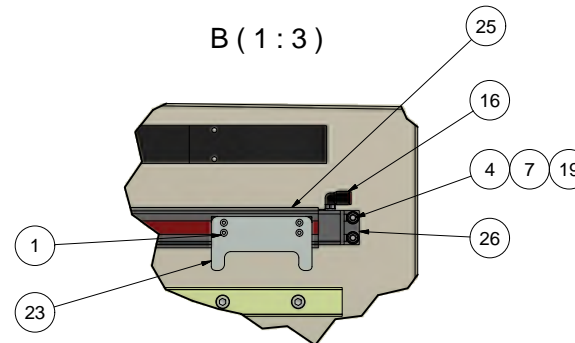
C-C (1:5)



A (1:3)



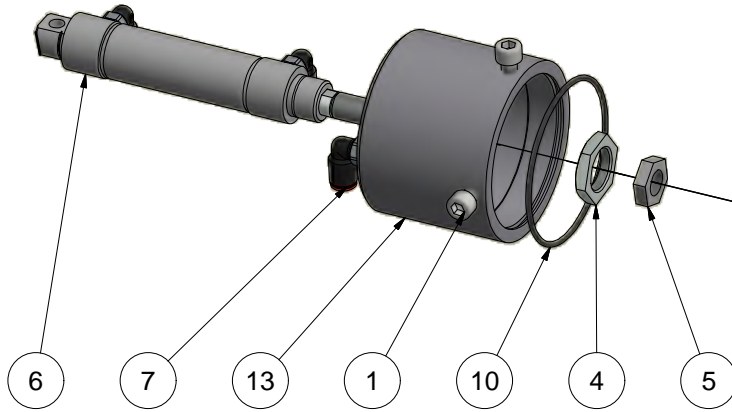
B (1:3)



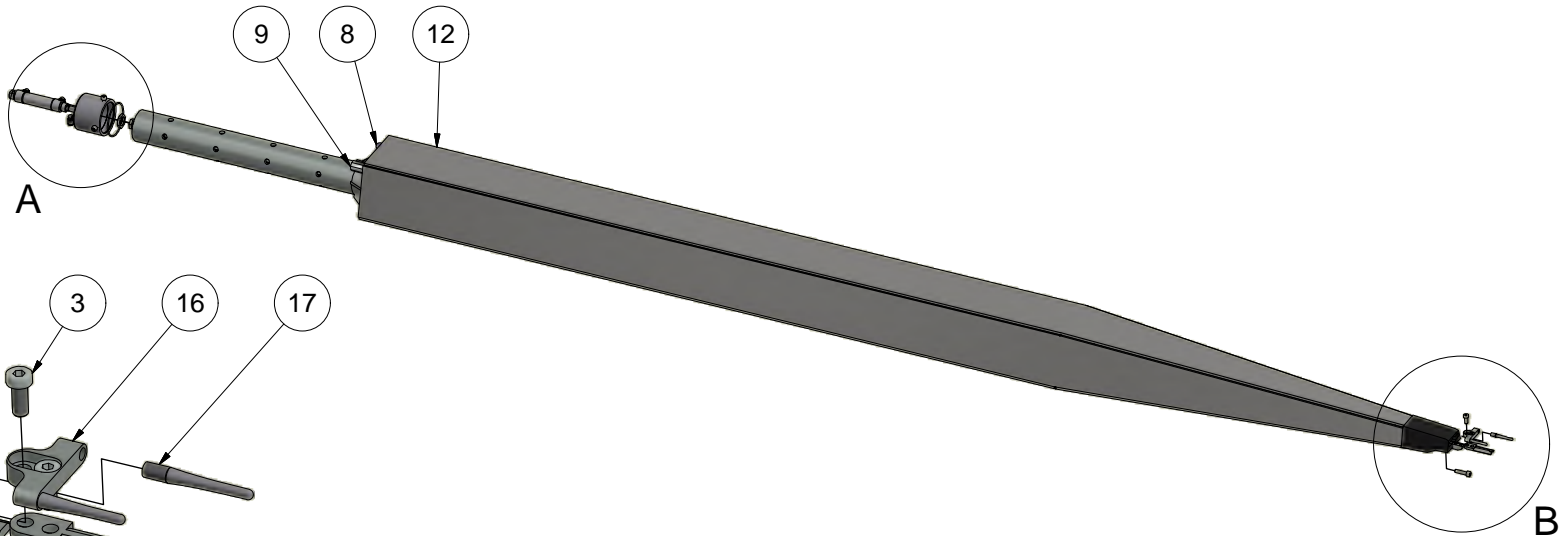
Revision	Approved	Date	Revision Description
1	KL	10-04-2018	Made

Break all edges			
	Scale:	Not specified tolerance according to:	Sheet size:
	1:5	DS/ISO 2768-m	A2
	Surface properties:	No	Sheet:
			1/1
Part No: M103292			
Description 1: Skin mover assembly_1 HG10 - Model 2018			
Description 2:			

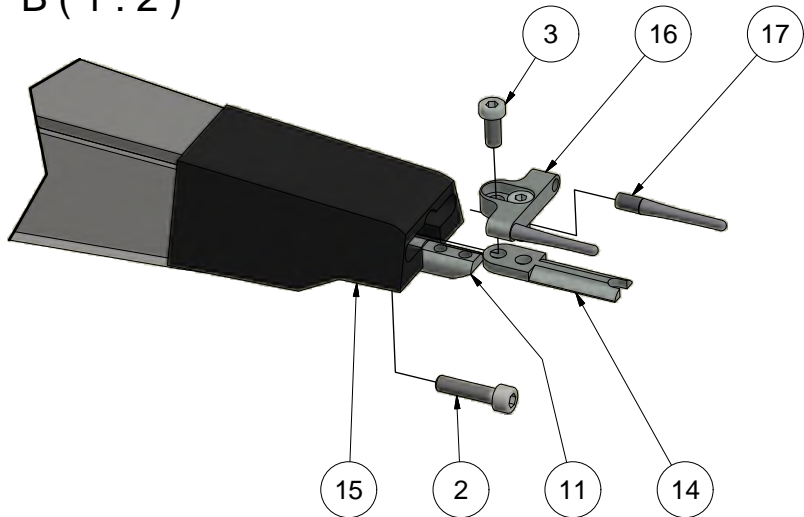
A (1:2)



PARTS LIST			
ITEM	QTY	PART NUMBER	DESCRIPTION
1	2	10206010	Hexagon cylinder head M6x10 FZB
2	2	10206025	Hexagon cylinder head M6x25 FZB
3	2	20006014	Hexagon cylinder head low M6x14 FZB
4	1	210424	Lock nut M18x1,5 FZB
5	1	210427	Lock nut M10x1,25 FZB
6	1	211614	Cylinder RT/57225/M/40
7	3	215730	Elbow swivel < 6 x 1/8"t
8	2	425850	Hose elbow < 10 x 3/8" Nylon
9	1	477526	Ballofix 3/8" (M/F)
10	1	489024	O-ring NBR 60x2
11	1	M101737	Pushrod for movable pins
12	1	M101739	Beam for HG10
13	1	M102448	Cap for airflow
14	1	M102704	Noseplate movable
15	1	M102705	Nose for beam HG10 - Wide model
16	1	M102706	Movable plate for plate and pins
17	2	M102707	Spike M6/ø4mm for nose



B (1:2)

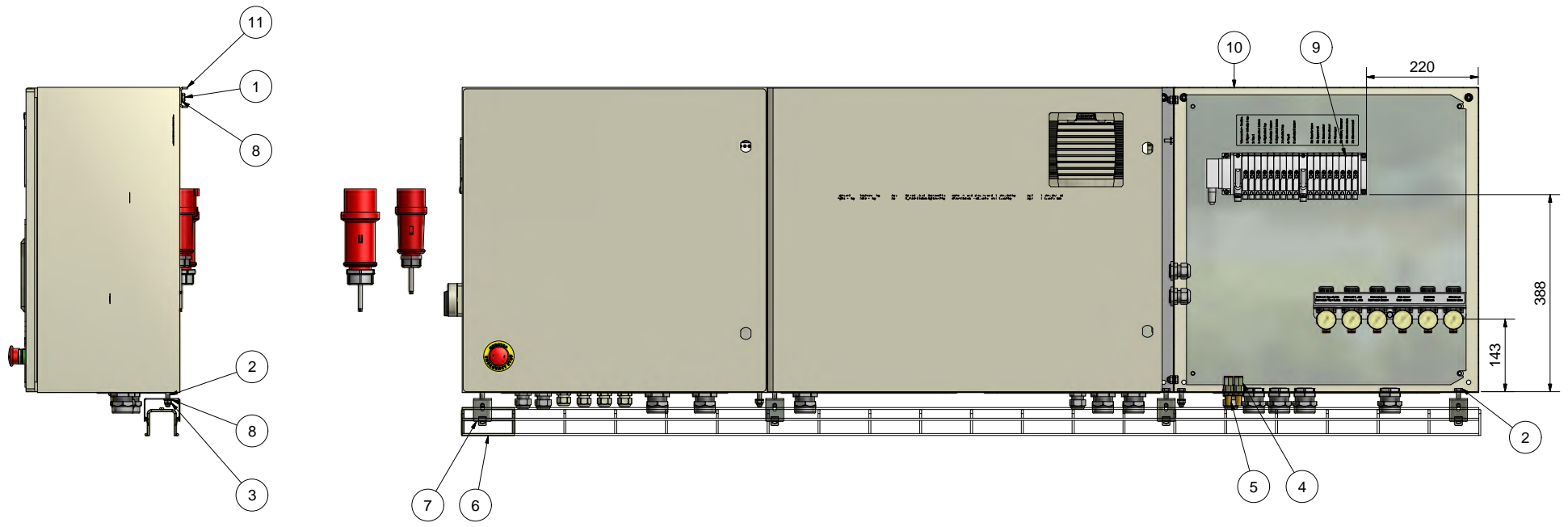


Break all edges

The information on this drawing is the property of HEDENSTEDT GRUPPEN A/S. It is not to be copied, reproduced, disseminated or used for any other purpose.		Scale: 1:10	Not specified tolerance according to: DS/ISO 2768-m	Sheet size: A3	
		Surface properties: No		Sheet: 1/1	
	Part No.: M101741	Material:			
	Description 1: Beam HG10, nose assembly	Description 2:			

Revision:	Approved	Date:	Revision Description
3	KL	10-05-2017	Nose changed to wide model

PARTS LIST			
ITEM	QTY	PART NUMBER	DESCRIPTION
1	6	11408016	Hexagon bolt M8x16 FZB
2	6	11408030	Hexagon bolt M8x30 FZB
3	12	17908000	Self-locking nut M8 FZB
4	2	215916	Straight connector < 10 x female 1/4"
5	2	216797	Filter sintered 1/4"
6	2,0 m	600440	Cable duct metal CF 54_50
7	4	600445	Cable duct U-bracket UC 50-G
8	24	82108000	Washer M8 FZB
9	1	M101757	Air cabinet components - HG10
10	1	M101941	Control cabinet assembly HG10
11	1	M20105	Bracket for control cabinet



Break all edges

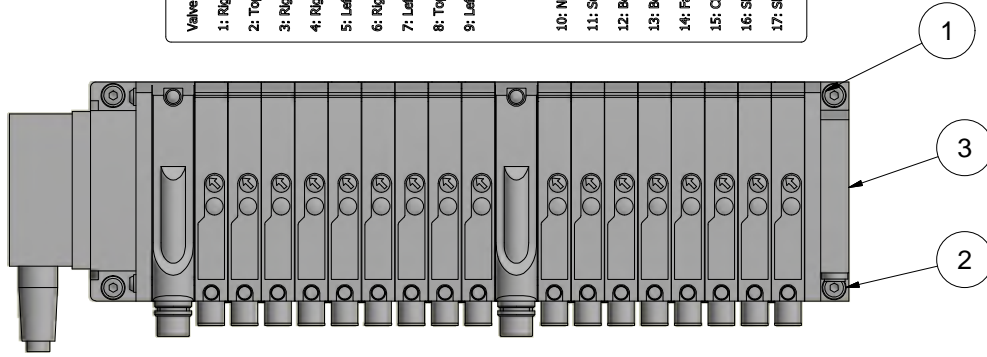
	Scale:	1 : 6	Not specified tolerance according to:	DS/ISO 2768-m	Sheet size:	A2
	Surface properties:	No	Material:		Sheet:	1 / 1
Part No.: M101754						
Description 1: Control cabinet assembly 2						
Description 2:						

Revision:	Approved	Date:	Revision Description
1	KL	16-02-2016	Made

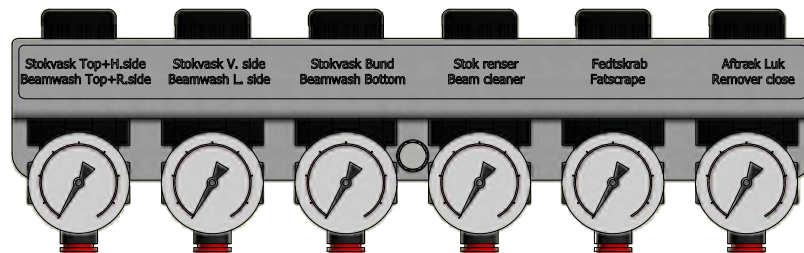
PARTS LIST

ITEM	QTY	PART NUMBER	DESCRIPTION
1	4	10204012	Hexagon cylinder head M4x12 FZB
2	4	82104000	Washer M4 FZB
3	1	M101753	Valveblok AV03 for HG10
4	1	M101756	Regulator assembly HG10
5	3	M102376	Y-connector 2x< 8 x < 10

- Valve m
 1: Right
 2: Top :
 3: Right
 4: Right
 5: Left :
 6: Right
 7: Left :
 8: Top :
 9: Left :
 10: Nos
 11: Sup
 12: Bes
 13: Bes
 14: Fat
 15: Ole
 16: Skr
 17: Skr



5

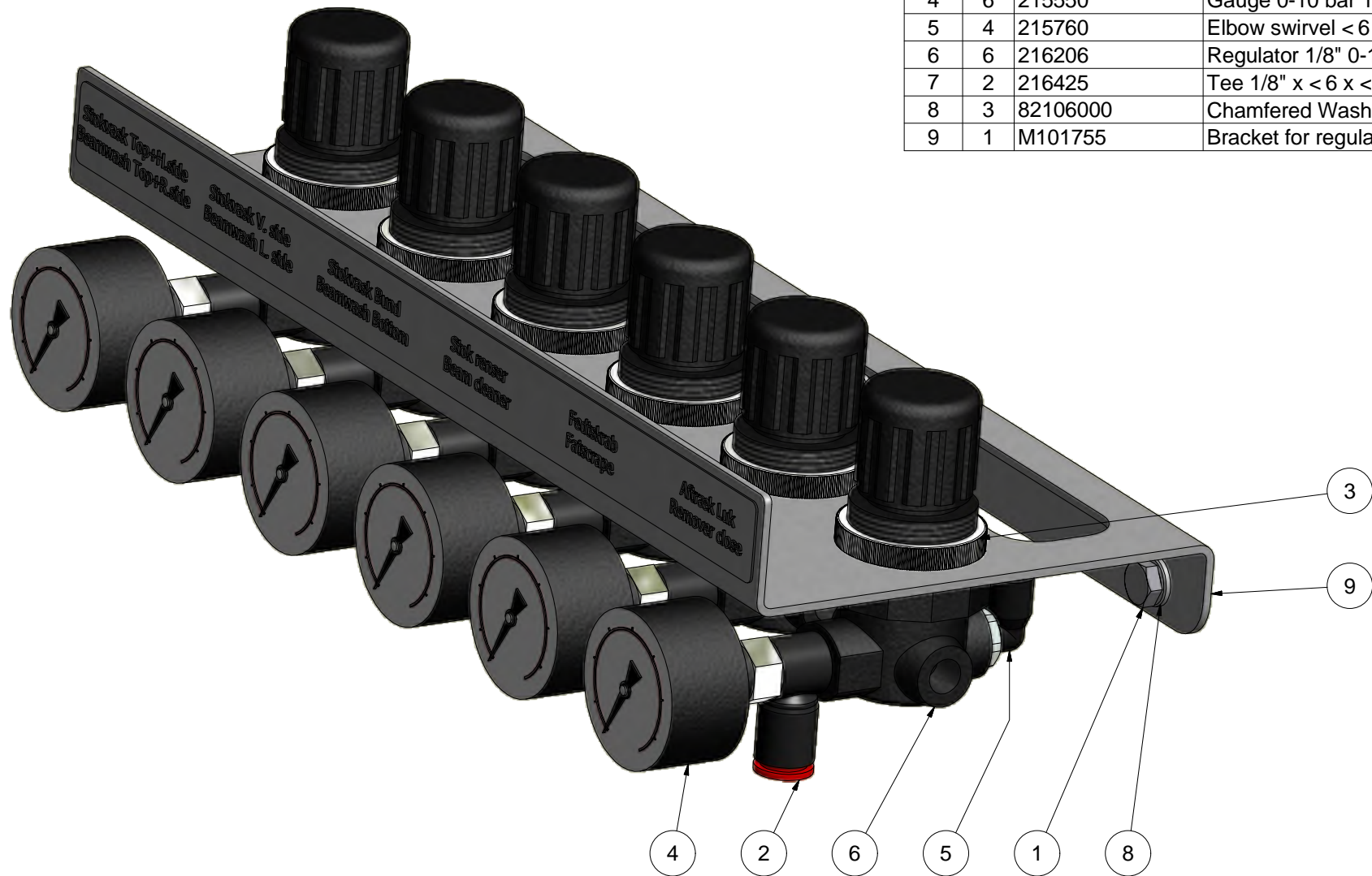


4

Break all edges

The information on this drawing is the property of HEDENSTED GRUPPEN A/S. It is not to be copied or disclosed to any third parties.			Scale:	Not specified tolerance according to:	Sheet size:	
			1 : 2	DS/ISO 2768-m	A3	
				Surface properties:	No	Sheet:
					1 / 1	
Part No.:		M101757				
Description 1:		Air cabinet components - HG10				
Description 2:						

Revision:	Approved	Date:	Revision Description
2	KL	15-12-2016	M102376 added

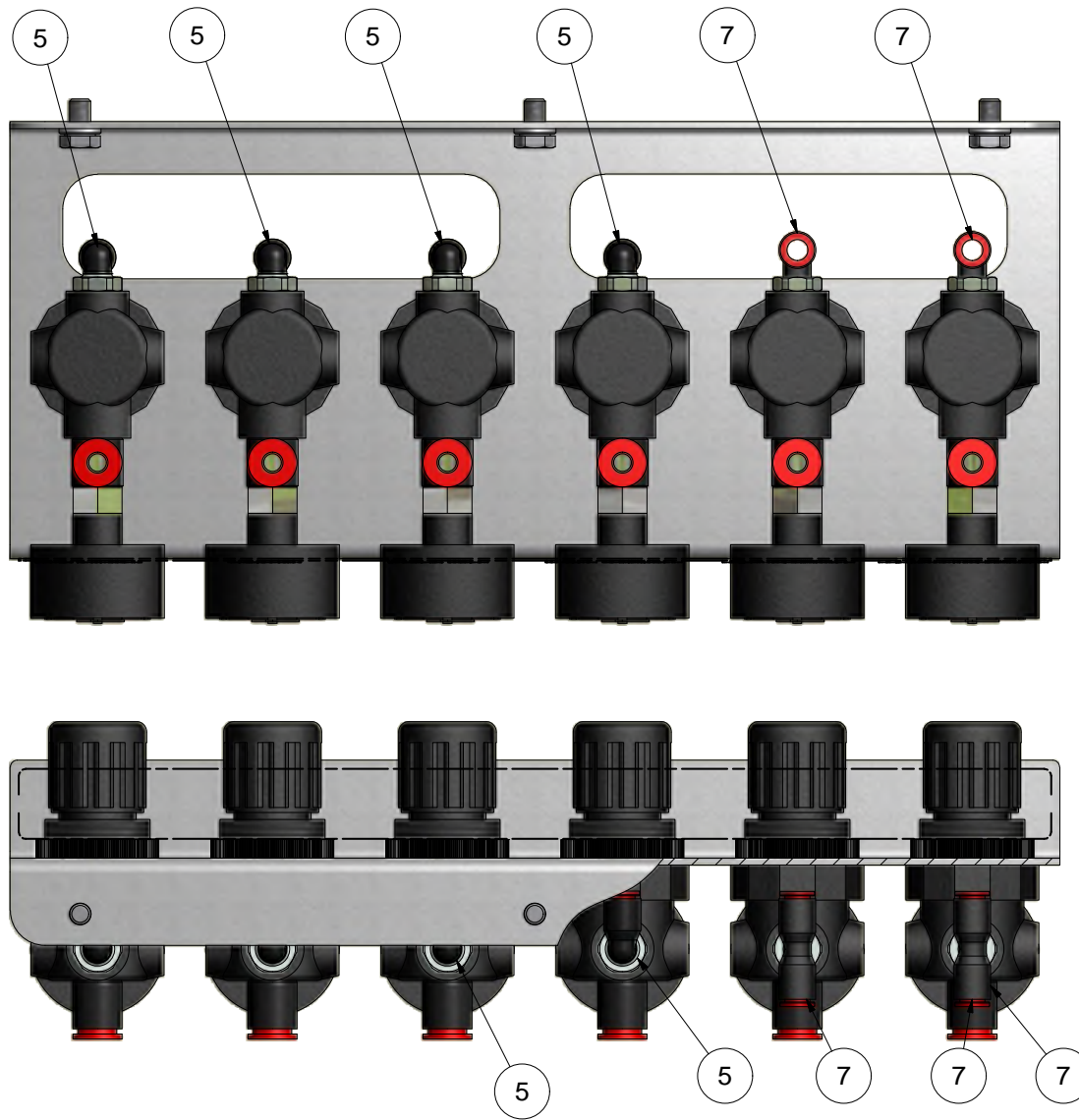


PARTS LIST			
ITEM	QTY	PART NUMBER	DESCRIPTION
1	3	11406010	Hexagon bolt M6x10 FZB
2	6	215112	Banjo with top port 1/8"t x < 6 x female 1/8"
3	6	215535	Panel mounting nut
4	6	215550	Gauge 0-10 bar 1/8" < 40
5	4	215760	Elbow swirvel < 6 x 1/8"
6	6	216206	Regulator 1/8" 0-10bar
7	2	216425	Tee 1/8" x < 6 x < 6
8	3	82106000	Chamfered Washer M6 FZB
9	1	M101755	Bracket for regulators

Break all edges

The drawing is a technical drawing and is not to be used for manufacturing without the approval of the drawing office. HEIDENSTEDT GRUPPEN A/S		Scale: 1 : 1	Not specified tolerance according to: DS/ISO 2768-m	Sheet size: A3	
		Surface properties: No		Sheet: 1 / 2	
	Part No.: M101756	Material:			
	Description 1: Regulator assembly HG10	Description 2:			

Revision:	Approved	Date:	Revision Description
1	KL	16-02-2016	Made

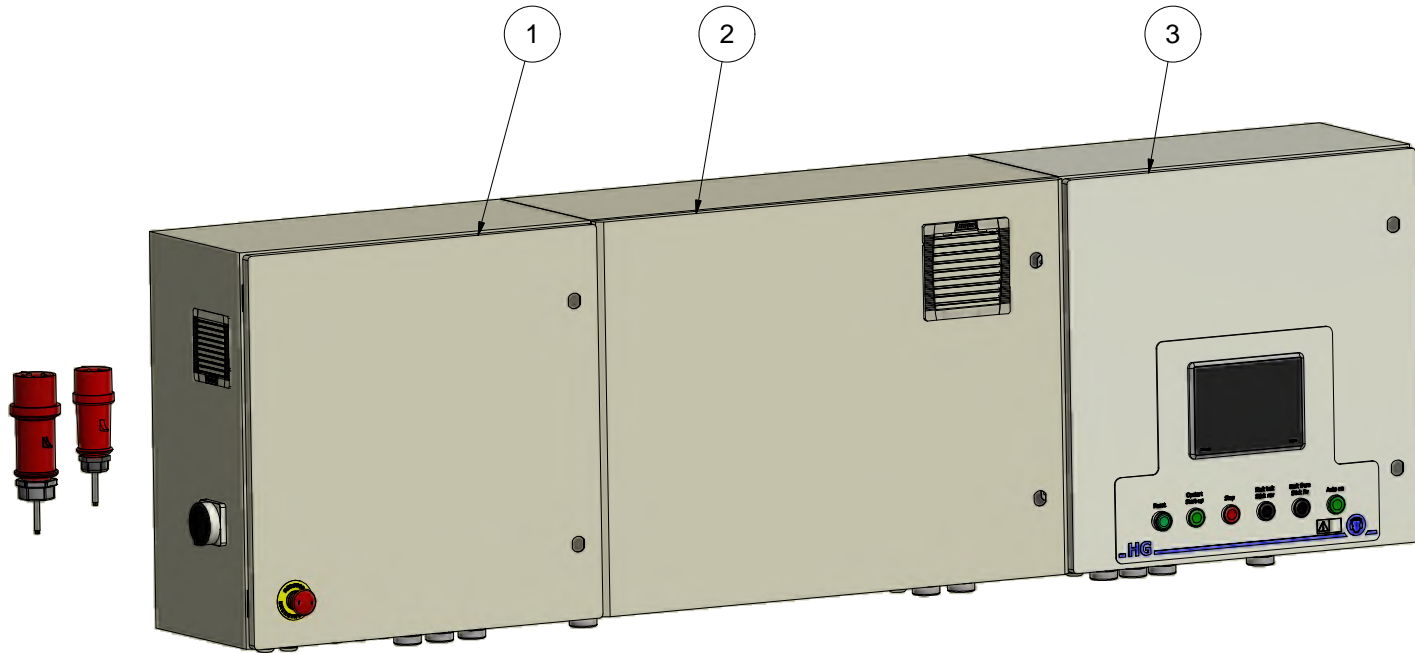


Break all edges

The drawing is a technical drawing and is not to be used for manufacturing purposes. It is not to be copied or disseminated to any third parties. HEDENSTED GRUPPEN A/S	Scale:	Not specified tolerance according to:	Sheet size:
	1 : 1	DS/ISO 2768-m	A3
	Surface properties:		Sheet:
	No		2 / 2
Part No.:	Material:		
M101756			
Description 1:			
Regulator assembly HG10			
Description 2:			

Revision:	Approved	Date:	Revision Description
1	KL	16-02-2016	Made

PARTS LIST			
ITEM	QTY	PART NUMBER	DESCRIPTION
1	1	M101742	Control cabinet 1 - HG10
2	1	M101743	Control cabinet 2 - HG10
3	1	M101744	Control cabinet 3 - HG10

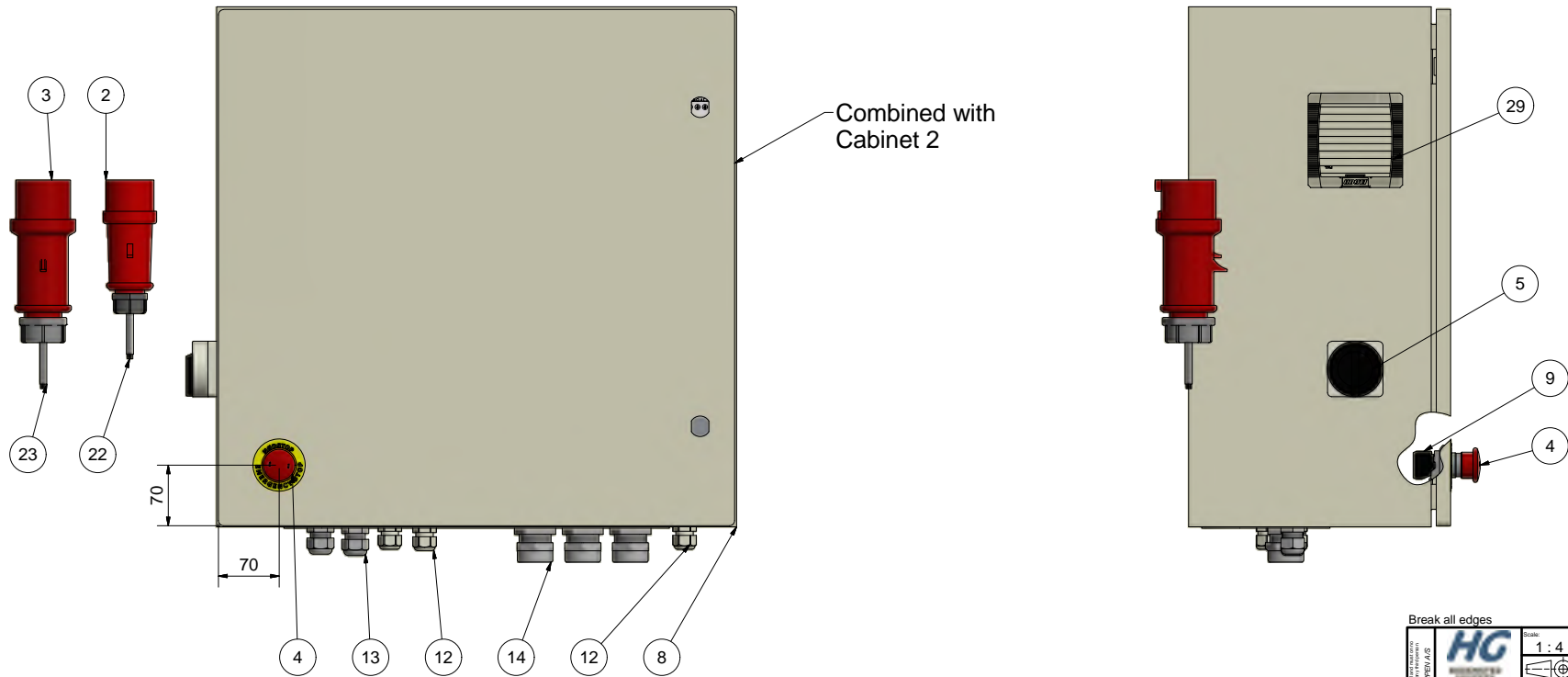


Break all edges

<small>Alle Maße sind in mm angegeben. Abweichungen sind zulässig, wenn sie nicht in dieser Zeichnung angegeben sind. HG HEDENSTEDT GRUPPEN A/S</small>	Scale:	Not specified tolerance according to:	Sheet size:
	1 : 8	DS/ISO 2768-m	A3
		Surface properties:	Sheet:
	No	1 / 1	
Part No.:	Material:		
M101941			
Description 1:	Control cabinet assembly HG10		
Description 2:			

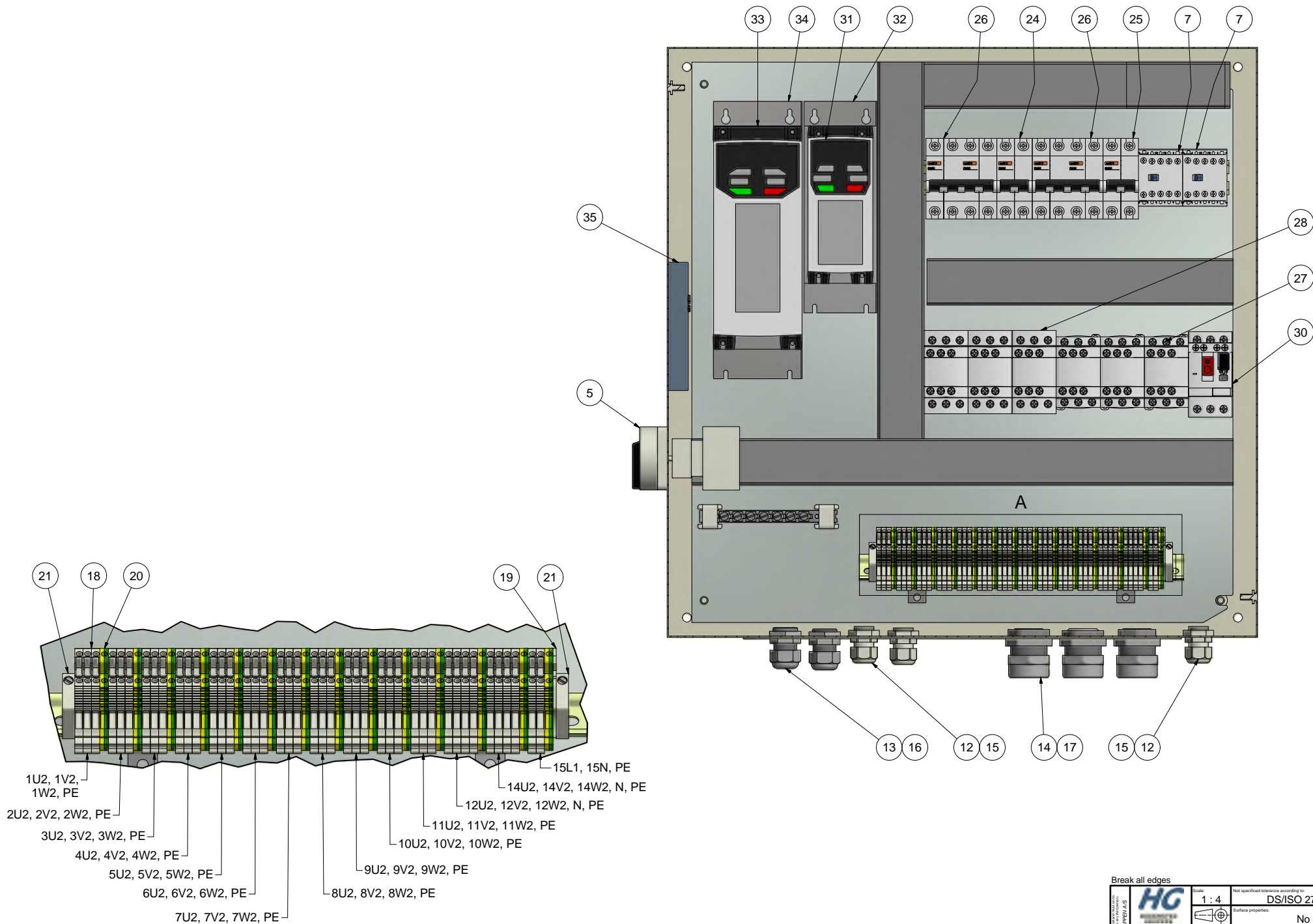
Revision:	Approved	Date:	Revision Description
2	KL	29-05-2017	M101744 changed

PARTS LIST				PARTS LIST			
ITEM	QTY	PART NUMBER	DESCRIPTION	ITEM	QTY	PART NUMBER	DESCRIPTION
1	1	33820	Eltrical cabinet Assembly	19	1	600555	End plate WAP 2,5-10
2	1	50171	CEE Plug male 5P/16A/400V Phase inverter	20	14	600585	Terminal block WPE 2,5
3	1	50184	CEE Plug male 5P/32A/400V	21	2	600590	End bracket EW 35
4	1	600100	Push button Emergency stop	22	5,0 m	600640	Cable JZ 5x2,5mm PVC
5	1	600230	Main switch 40A 8-pole	23	5,0 m	601012	Cable JZ 5x6,0mm PVC
6	1	600280	Additional Switch GVAE11	24	1	601035	Automatic fuse 16A C 1P+N
7	2	600282	Contactora LP1K0901B 9A 3NO-1NC	25	1	601095	Automatic fuse 10A C 1P+N
8	1	600307	Box metal 600x600x300	26	2	601100	Automatic fuse16A C 3P+N
9	1	600375	Switch block ZB4BZ104 2NC	27	3	601102	Contactora 3x 440V 18A 24v DC
10	2	600428	Gasket Multihole M32 4x < 10	28	3	601107	Contactora 3x 440V 32A 24VDC
11	1	600429	Gasket Multihole M32 7x < 7	29	1	601334	Exhaust filter for controlebox
12	4	600455	Cabel gland M20 < 5-12	30	1	875101	Motor protection 2,5-4,0A
13	2	600465	Cable gland M25 < 7-14	31	1	M101746	Freq. inverter 0,37kW 1x230V Emerson
14	3	600466	Cabel gland M32 < 15-24,5	32	1	M101747	Low Leak filter for M200-01
15	4	600475	Cable gland nut polyamid M20	33	1	M101748	Freq. inverter 3.0kW 3x400V Emerson
16	2	600480	Cable gland nut polyamid M25	34	1	M101749	Low Leak filter for M200-03
17	3	600481	Cable gland nut polyamid M32	35	1	M101750	Breake resistance for M200-034 00073A
18	43	600550	Terminal block WDU_2,5				



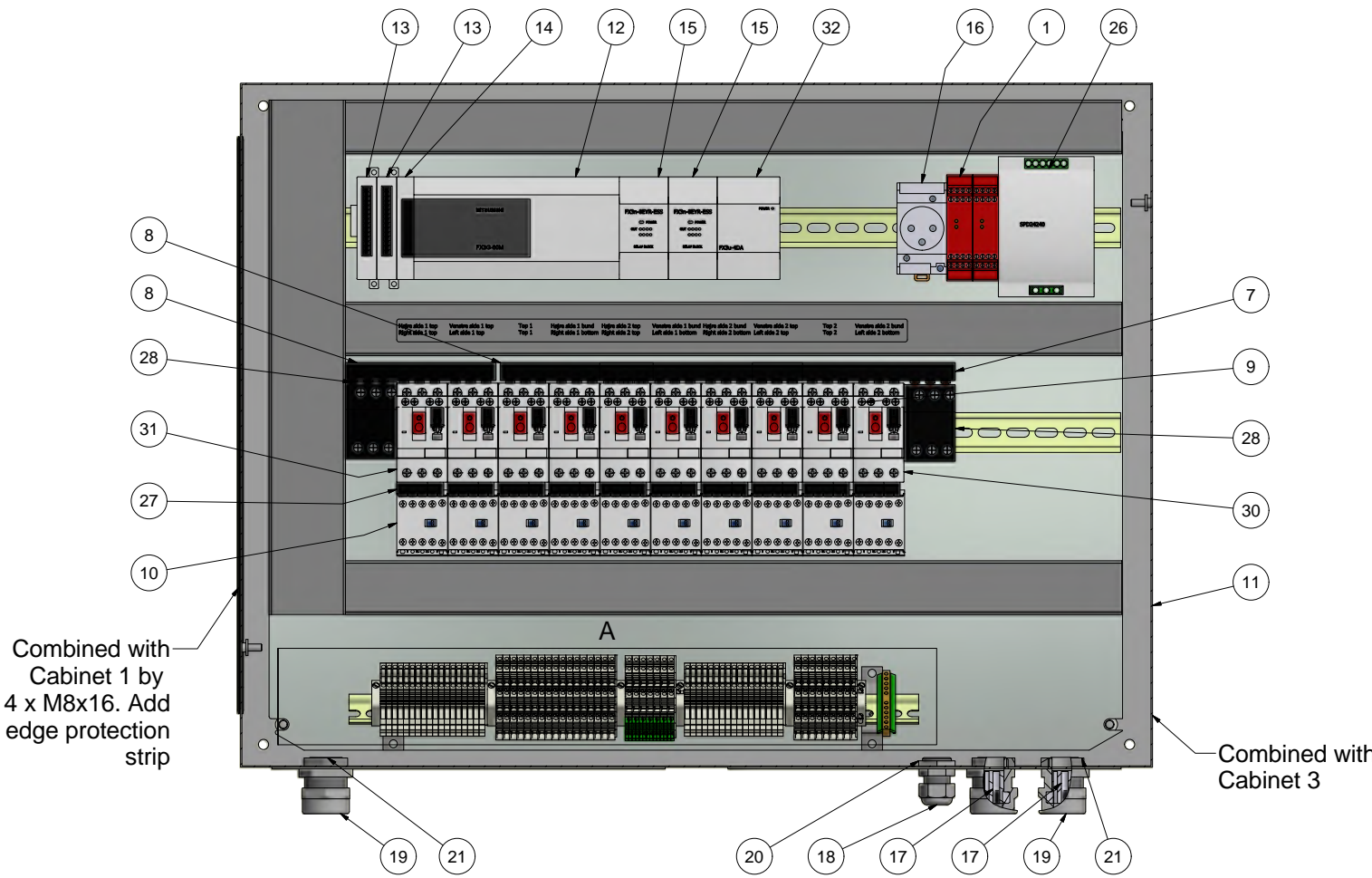
Revision	Approved	Date	Revision Description
5	KL	07-02-2018	Changed to 1x32A + 2x16A power supply

Break all edges			
	Scale:	Not specified tolerance according to:	Sheet size:
	1 : 4	DS/ISO 2768-m	A2
	Surface properties:	No	Sheet:
			1 / 4
Part No.:	Material:		
M101742			
Description 1:	Control cabinet 1 - HG10		
Description 2:			

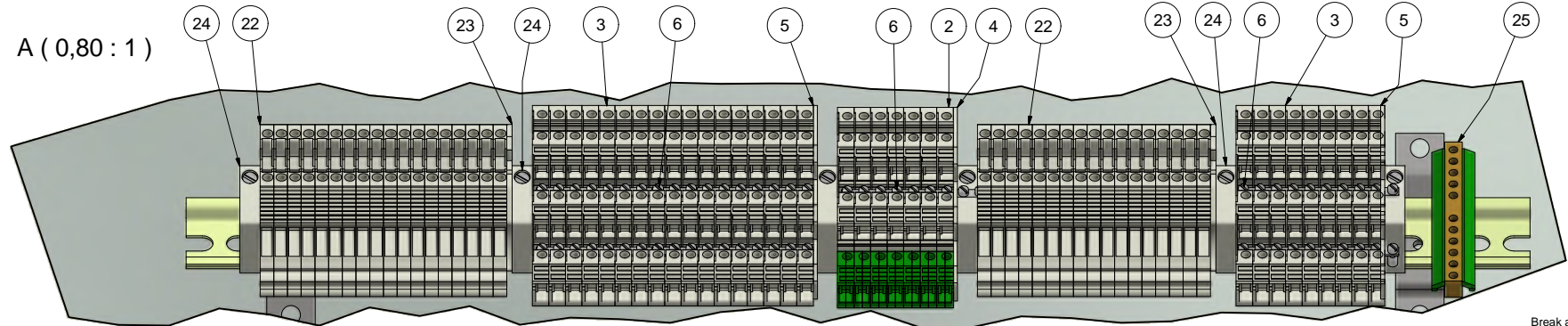


Break all edges			
THE INFORMATION CONTAINED HEREIN IS THE PROPERTY OF HG HEUBER/STEDT GRUPPEN A/S	Scale:	Not specified tolerance according to:	Sheet size:
	1 : 4	DS/ISO 2768-m	A2
Part No.:	Surface properties:		Sheet:
M101742	No		2 / 4
Material:			
Description 1:			
Control cabinet 1 - HG10			
Description 2:			

Revision:	Approved:	Date:	Revision Description:
5	KL	07-02-2018	Changed to 1x32A + 2x16A power supply



PARTS LIST			
ITEM	QTY	PART NUMBER	DESCRIPTION
1	2	206731	Safety controller 24VAC/DC Cat3
2	7	600105	Terminal block DLD 2,5 PE
3	26	600112	Terminal block DLD 2.5/35
4	1	600114	End plate AP-DLD 2,5/PE
5	2	600125	End plate AP-DLD nr 131766
6	7	600130	Cross connector Q10 no131310
7	2	600132	Busbar 3Pol 4Tap GV2 G445
8	2	600134	Busbar 3Pol 3Tap GV2 G345
9	10	600280	Additional Switch GVAE11
10	10	600282	Contacteur LP1K0901B 9A 3NO-1NC
11	1	600297	Box metal 800x600x300
12	1	600311	PLC Mitsubishi, FX3G-60MR/ES
13	2	600407	PLC ext. module, 4 analog out, FX3U-4DA-ADP
14	1	600409	PLC Adaptor ADP for FX, FX3G-CNV-ADP
15	2	600413	PLC ext. module, 8 relay out, FX2N-8EYR-ES/UL
16	1	600420	Socket for DIN rail 3P/16A/240V
17	3	600423	Gasket Multihole M32 10x < 6
18	1	600465	Cable gland M25 < 7-14
19	3	600466	Cabel gland M32 < 15-24,5
20	1	600480	Cable gland nut polyamid M25
21	3	600481	Cable gland nut polyamid M32
22	35	600550	Terminal block WDU_2,5
23	2	600555	End plate WAP 2,5-10
24	6	600590	End bracket EW 35
25	1	600665	Terminal block PE KM11E
26	1	601277	Power supply 1P 24V 10A
27	10	601322	Combi blok GV2AF01
28	2	601325	Clamp GV2G05 for power connect
29	1	601332	Fan with filter 230V
30	8	875102	Motor protection 4,0-6,3A
31	2	875103	Motor protection 6-10A
32	1	M101751	PLC ext. module, 4 analog out, FX3U-4DA



1, 2, 5, 6, 7, 8, 9, 10, 11, 12,
21, 22, 23, 24, 25, 26, 27, 28

X0, X1, X3, X4, X5, X17, X20, X21,
X22, X30, X31, X32, X33, X34,
X35, X36, X37

Y16, Y17, Y20,
Y21, Y22, Y23,
Y24

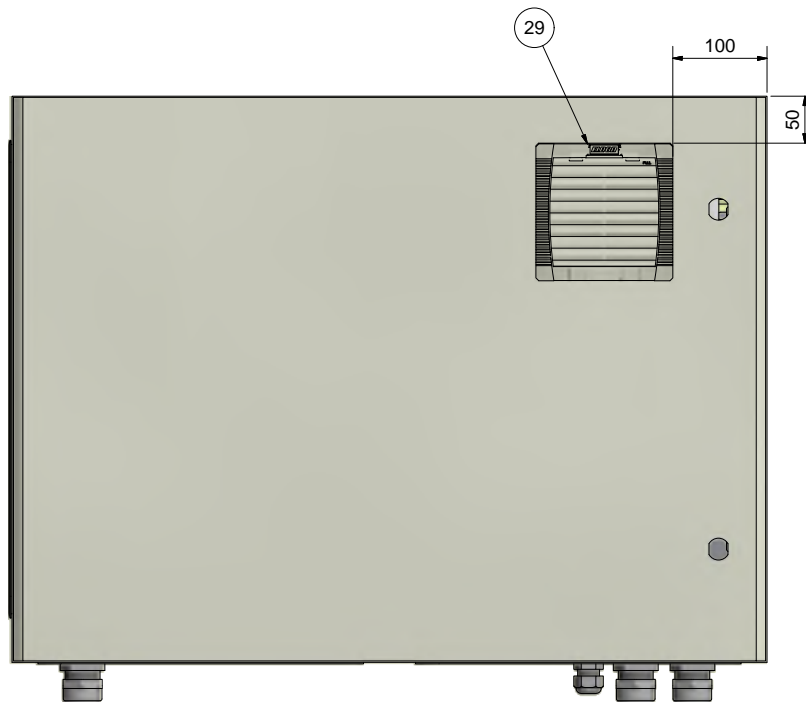
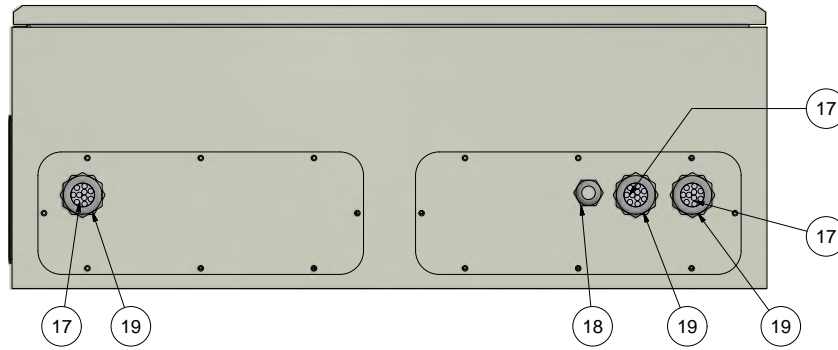
Y15, Y25, Y26, Y27, Y30, Y31,
Y32, Y33, Y34, Y35, Y40, Y41,
Y42, Y43, Y44, Y45, Y46


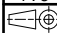
1, 2, 3, 4, 5, 6,
7, 8, 9

Revision:	Approved	Date:	Revision Description
4	KL	07-02-2018	Changed to 1x32A + 2x16A power supply

Break all edges

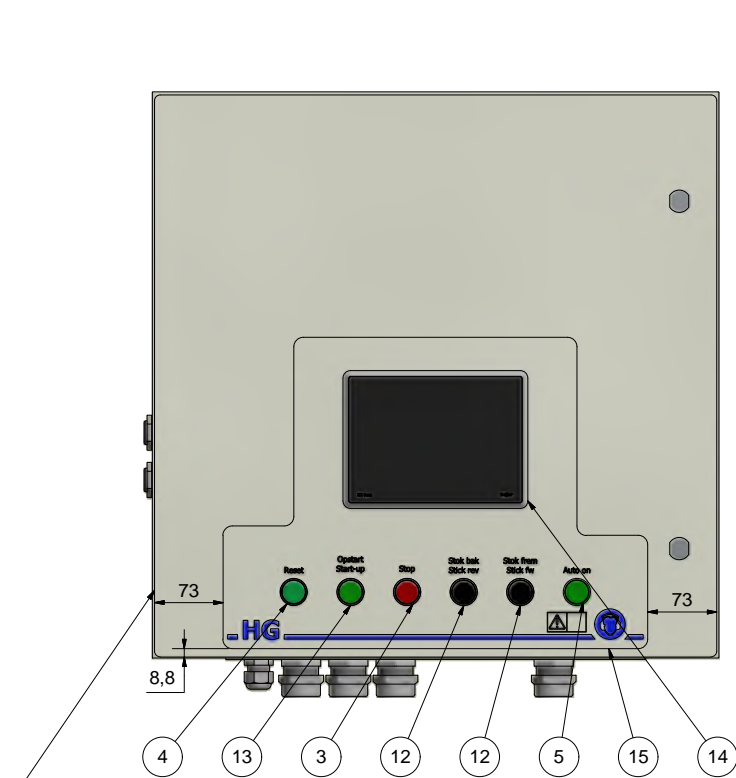
	Scale:	1 : 3	Not specified tolerance according to:	DS/ISO 2768-m	Sheet size:	A2	
	Material:		Surface properties:	No	Sheet:	1 / 3	
Part No.:		M101743		Description 1:			Control cabinet 2 - HG10
Description 2:							



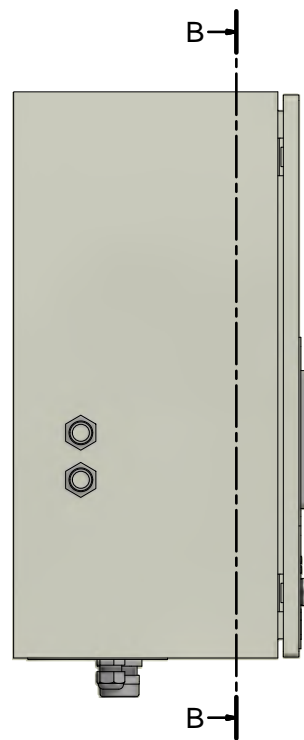
Break all edges			
 <small>HERKULES-GRUPPEN AG</small>	Scale:	Not specified tolerance according to:	Sheet size:
	1 : 3	DS/ISO 2768-m	A2
<small>Part No.:</small> M101743 		Surface properties:	Sheet:
	Material:	No	3 / 3
<small>Description 1:</small> Control cabinet 2 - HG10		<small>Description 2:</small>	

Revision:	Approved	Date:	Revision Description
4	KL	07-02-2018	Changed to 1x32A + 2x16A power supply

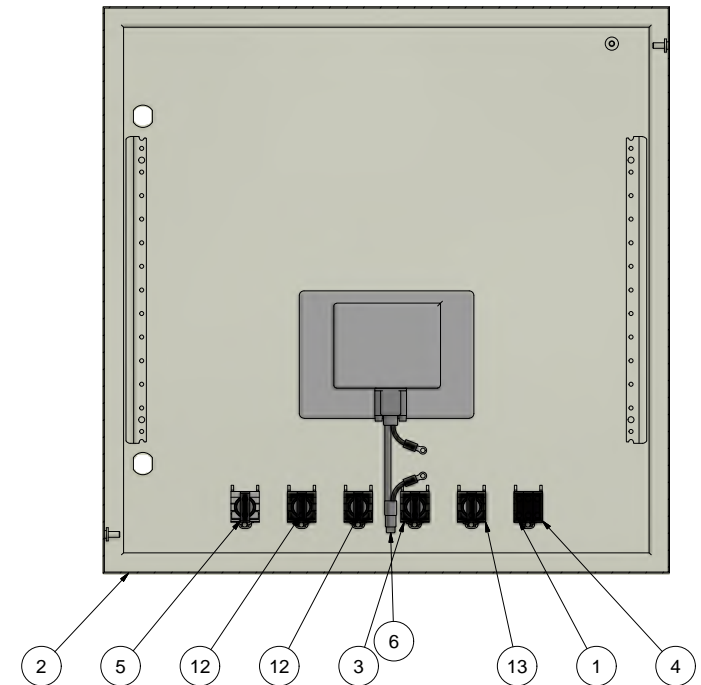
PARTS LIST			
ITEM	QTY	PART NUMBER	DESCRIPTION
1	1	600075	Switch element 1NO ZBE101
2	1	600307	Box metal 600x600x300
3	1	600345	Push button red 1NC XB4BA42
4	1	600350	Push button green/light 1NO+1NC XB4BW33B5
5	1	600356	Light 24VAC/DC Green XB4BVB3
6	1	600367	Cabel for T-series HMI, CAB103/3M
7	4	600423	Gasket Multihole M32 10x < 6
8	3	600465	Cable gland M25 < 7-14
9	4	600466	Cabel gland M32 < 15-24,5
10	3	600480	Cable gland nut polyamid M25
11	4	600481	Cable gland nut polyamid M32
12	2	600786	Push button black 1NO XB4BA21
13	1	600788	Push button green 1NO XB4BA31
14	1	600926	Panel, touch 7" X2 Base 7 - F2
15	1	M201061	Label for fleshing 8 roll



Combined with Cabinet 2
by 4 x M8x16



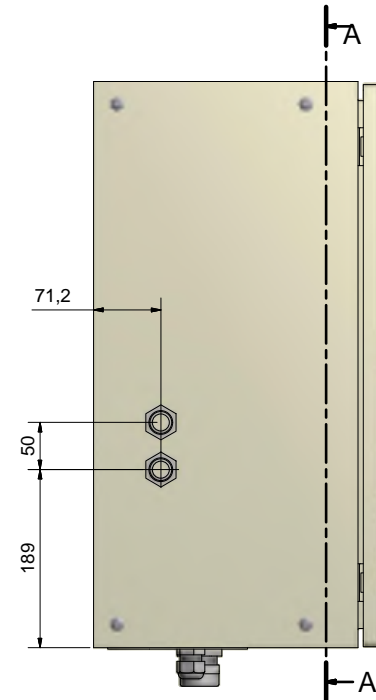
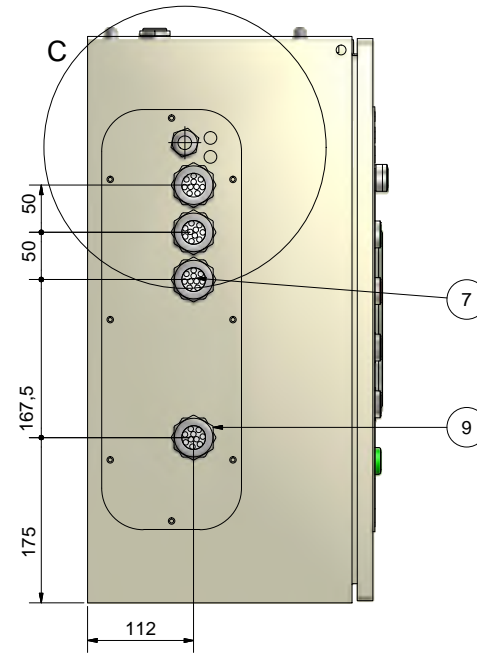
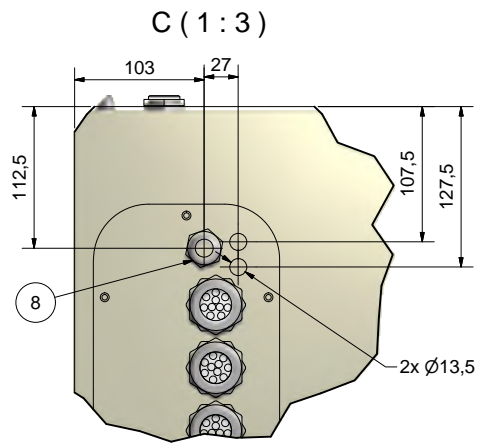
B-B (1 : 4)



Break all edges

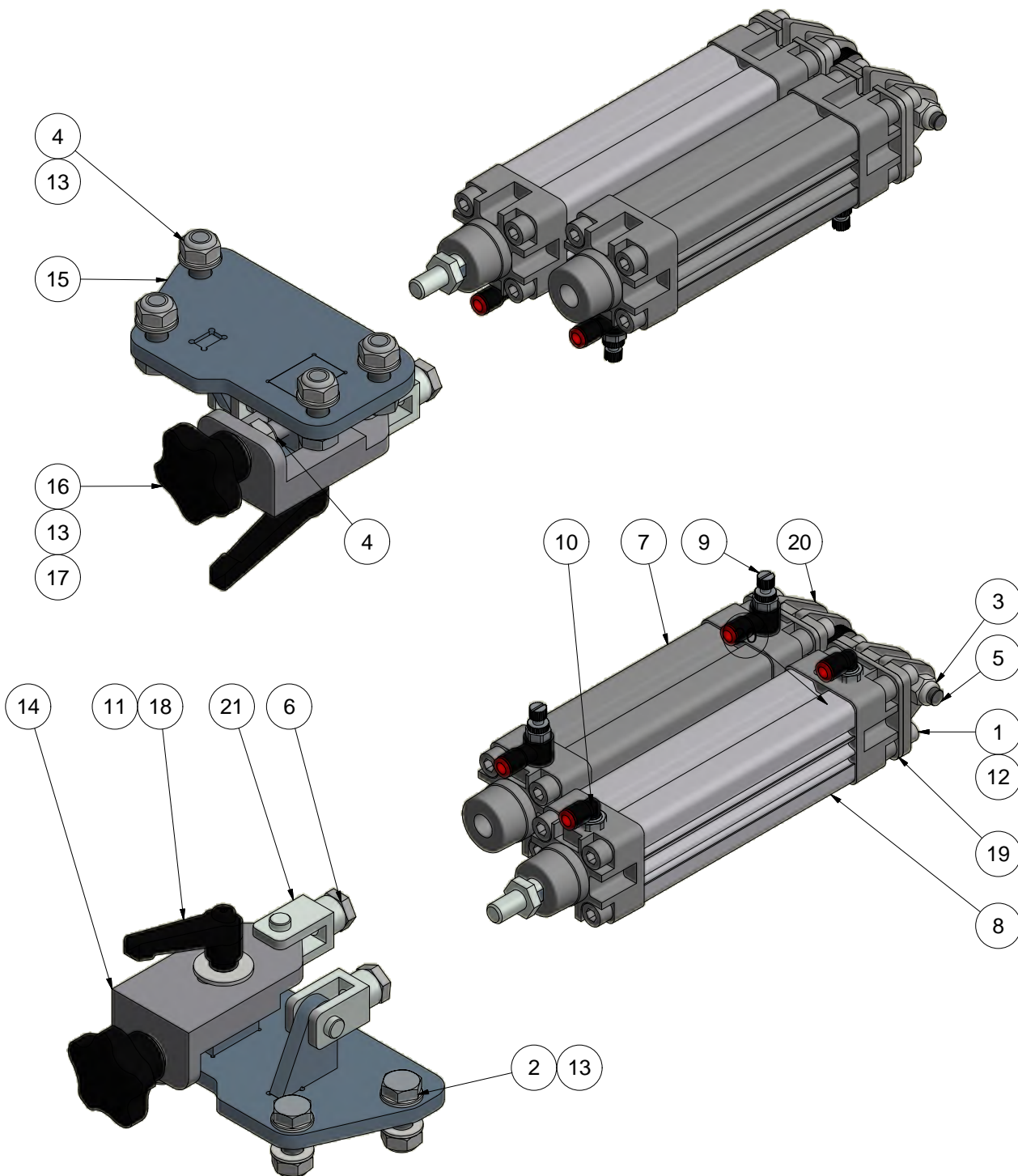
	Scale:	Not specified tolerance according to:	Sheet size:
	1 : 4	DS/ISO 2768-m	A2
Part No.:	Material:	Surface properties:	Sheet:
M101744		No	1 / 2
Description 1: Control cabinet 3 - HG10			
Description 2:			

Revision:	Approved	Date:	Revision Description
3	KKS	22-06-2017	Part List Updated



Revision:	Approved	Date:	Revision Description
3	KKS	22-06-2017	Part List Updated

Break all edges			
<small>THE INFORMATION CONTAINED HEREIN IS THE PROPERTY OF HEIKELSTEDT GRUPPEN A/S</small> 	Scale:	Not specified tolerance according to:	Sheet size:
	1 : 4	DS/ISO 2768-m	A2
Part No.:	Material:	Surface properties:	Sheet:
M101744		No	2 / 2
Description 1: Control cabinet 3 - HG10			
Description 2:			

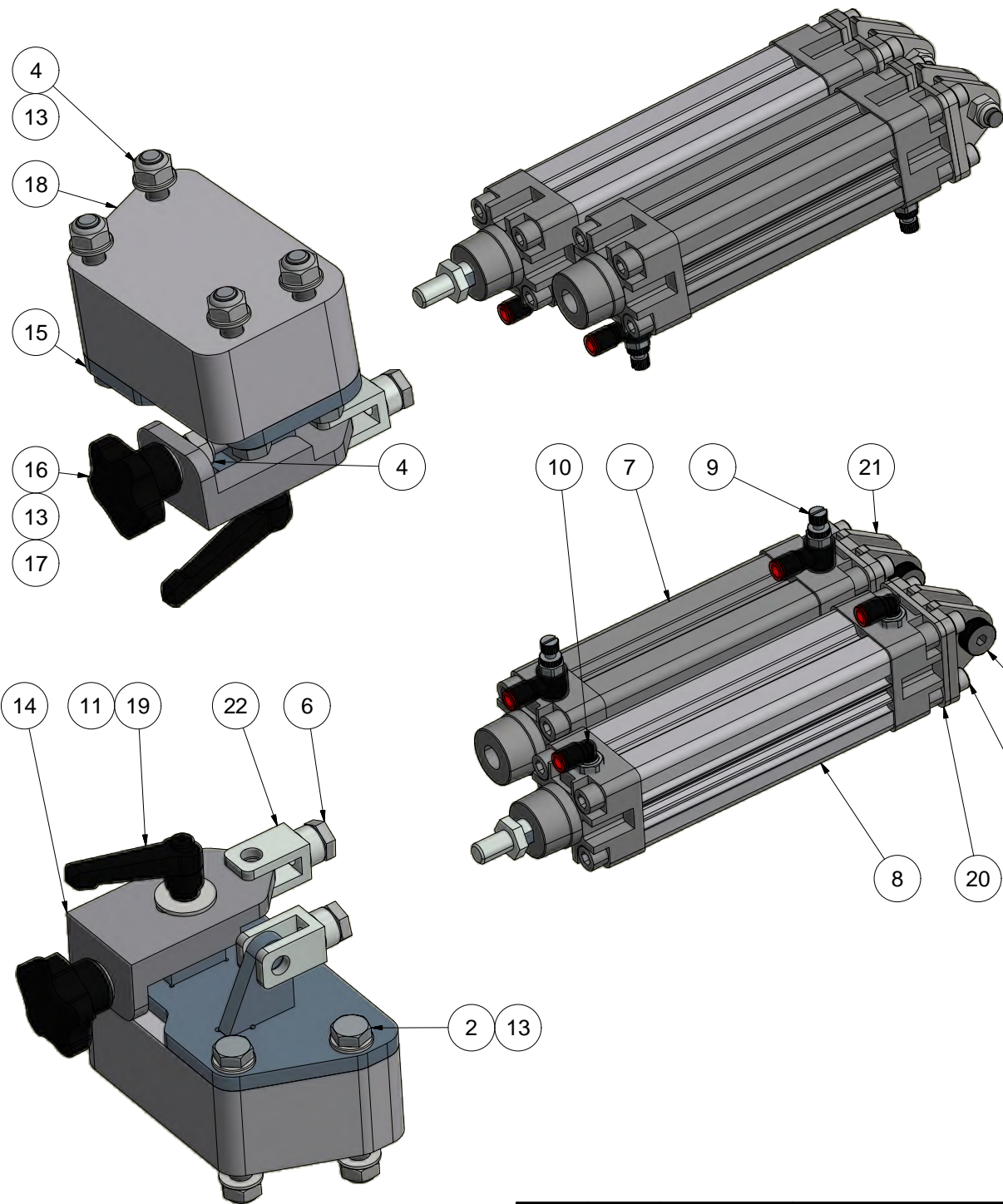


PARTS LIST			
ITEM	QTY	PART NUMBER	DESCRIPTION
1	8	10206020	Hexagon cylinder head M6x20 FZB
2	4	11410030	Hexagon bolt M10x30 FZB
3	2	17908000	Self-locking nut M8 FZB
4	5	17910000	Self-locking nut M10 FZB
5	2	20208020	Fitting bolt M8-10x20
6	2	210427	Lock nut M10x1,25 FZB
7	1	212090	Cylinder PRA/182032/M/80
8	1	212092	Cylinder PRA/182032/M/100
9	2	215105	Flow banjo control < 6 x 1/8"
10	2	215760	Elbow swirvel < 6 x 1/8"
11	1	4811028	Washer SRKB < 11x28x2 FZB
12	8	82106000	Washer M6 FZB
13	10	82110000	Washer M10 FZB
14	1	M101786	Mount Base For Cylinder
15	1	M101789	Mount for Cylinder
16	1	M101798	Adjustment screw M10 x 50mm
17	1	M101802	Bushing for Adjustment Screw
18	1	M101989	Handle, adjustable 63 x M10 - 20mm (M)
19	2	M102780	Spacer Plate for Cylinder < 32
20	2	M102781	Mounting Bracket Cyl < 32
21	2	M102782	F-Bracket QM/8025/25 for Buttom roll

Break all edges

The drawing is a technical drawing and is not to be used for manufacturing without the approval of the responsible person. HEDENSTEDT GRUPPEN A/S		Scale: 1 : 2	Not specified tolerance according to: DS/ISO 2768-m	Sheet size: A3
			Surface properties: No	Sheet: 1 / 1
	Part No.:	M101818		
	Description 1:	Cylinder mount assembly 1		
Description 2:	RS1B + RS2B			

Revision:	Approved	Date:	Revision Description
3	KKS	23-06-2017	Cylinder turned upside-down



PARTS LIST			
ITEM	QTY	PART NUMBER	DESCRIPTION
1	8	10206020	Hexagon cylinder head M6x20 FZB
2	4	11110080	Hexagon bolt M10x80 FZB
3	2	17908000	Self-locking nut M8 FZB
4	5	17910000	Self-locking nut M10 FZB
5	2	20208020	Fitting bolt M8-10x20
6	2	210427	Lock nut M10x1,25 FZB
7	1	212090	Cylinder PRA/182032/M/80
8	1	212092	Cylinder PRA/182032/M/100
9	2	215105	Flow banjo control < 6 x 1/8"
10	2	215760	Elbow swivel < 6 x 1/8"
11	1	4811028	Washer SRKB < 11x28x2 FZB
12	8	82106000	Washer M6 FZB
13	10	82110000	Washer M10 FZB
14	1	M101786	Mount Base For Cylinder
15	1	M101789	Mount for Cylinder
16	1	M101798	Adjustment screw M10 x 50mm
17	1	M101802	Bushing for Adjustment Screw
18	1	M101821	Distance Block for Cyl Mount
19	1	M101989	Handle, adjustable 63 x M10 - 20mm (M)
20	2	M102780	Spacer Plate for Cylinder < 32
21	2	M102781	Mounting Bracket Cyl < 32
22	2	M102782	F-Bracket QM/8025/25 for Bottom roll

Break all edges

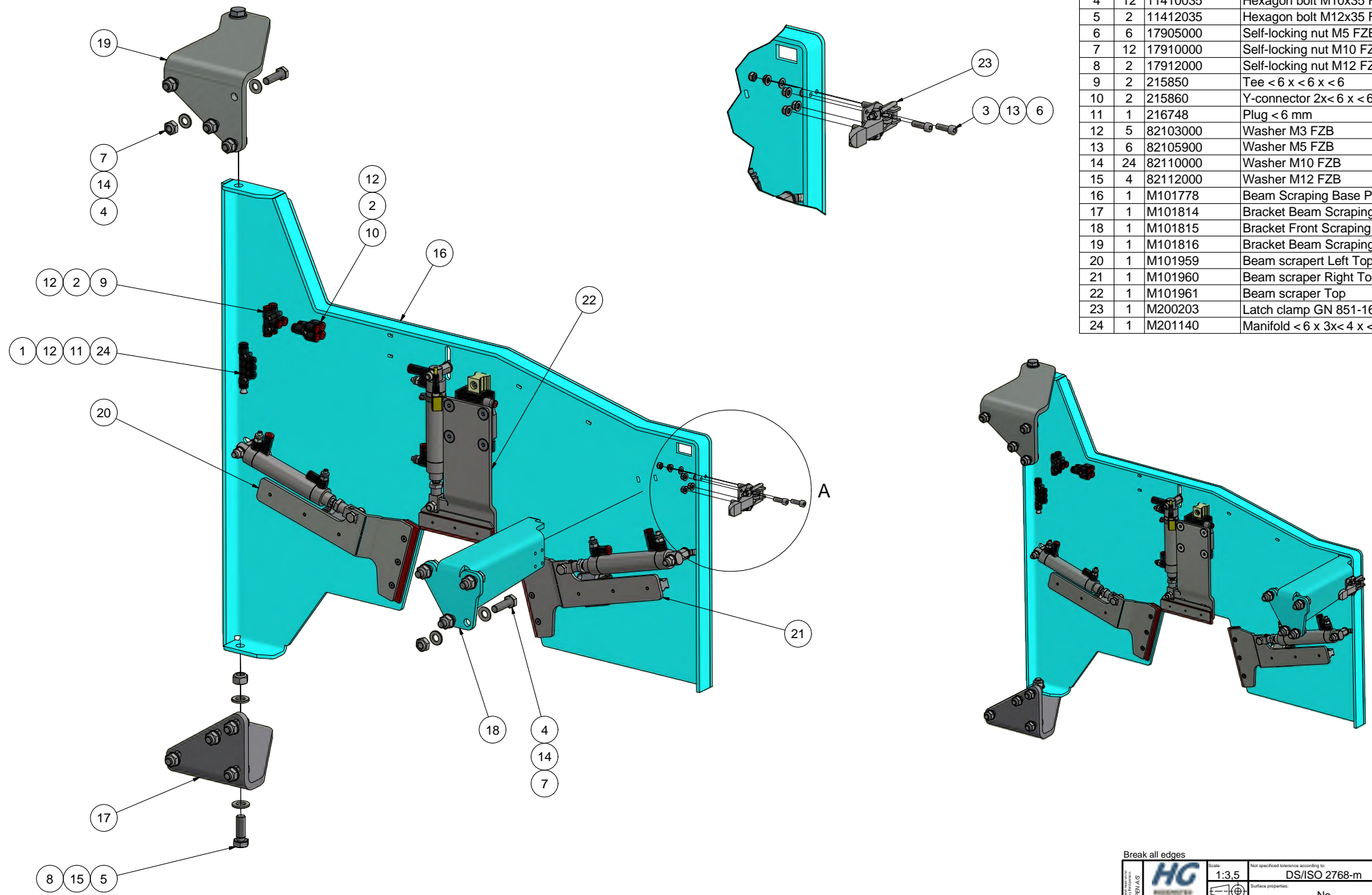
The information on this drawing is the property of HEDENSTEDT GRUPPEN AS. It is not to be copied or disclosed to any third party.		Scale: 1 : 2	Not specified tolerance according to: DS/ISO 2768-m	Sheet size: A3
			Surface properties: No	Sheet: 1 / 1
	Part No.: M101819	Material:		
	Description 1: Cylinder mount assembly 7			
Description 2: LS2B				

Revision:	Approved	Date:	Revision Description
3	KKS	23-06-2017	Cylinder turned upside-down

PARTS LIST

ITEM	QTY	PART NUMBER	DESCRIPTION
1	2	10203016	Hexagon cylinder head M3x16 FZB
2	3	10203030	Hexagon cylinder head M3x30 FZB
3	6	10205016	Hexagon cylinder head M5x16 FZB
4	12	11410035	Hexagon bolt M10x35 FZB
5	2	11412035	Hexagon bolt M12x35 FZB
6	6	17905000	Self-locking nut M5 FZB
7	12	17910000	Self-locking nut M10 FZB
8	2	17912000	Self-locking nut M12 FZB
9	2	215850	Tee <6 x <6 x <6
10	2	215860	Y-connector 2x<6 x <6
11	1	216748	Plug <6 mm
12	5	82103000	Washer M3 FZB
13	6	82105900	Washer M5 FZB
14	24	82110000	Washer M10 FZB
15	4	82112000	Washer M12 FZB
16	1	M101778	Beam Scraping Base Plate
17	1	M101814	Bracket Beam Scraping Bottom
18	1	M101815	Bracket Front Scraping Lock
19	1	M101816	Bracket Beam Scraping Top
20	1	M101959	Beam scraper Left Top
21	1	M101960	Beam scraper Right Top
22	1	M101961	Beam scraper Top
23	1	M200203	Latch clamp GN 851-160-T2
24	1	M201140	Manifold <6 x 3x<4 x <6

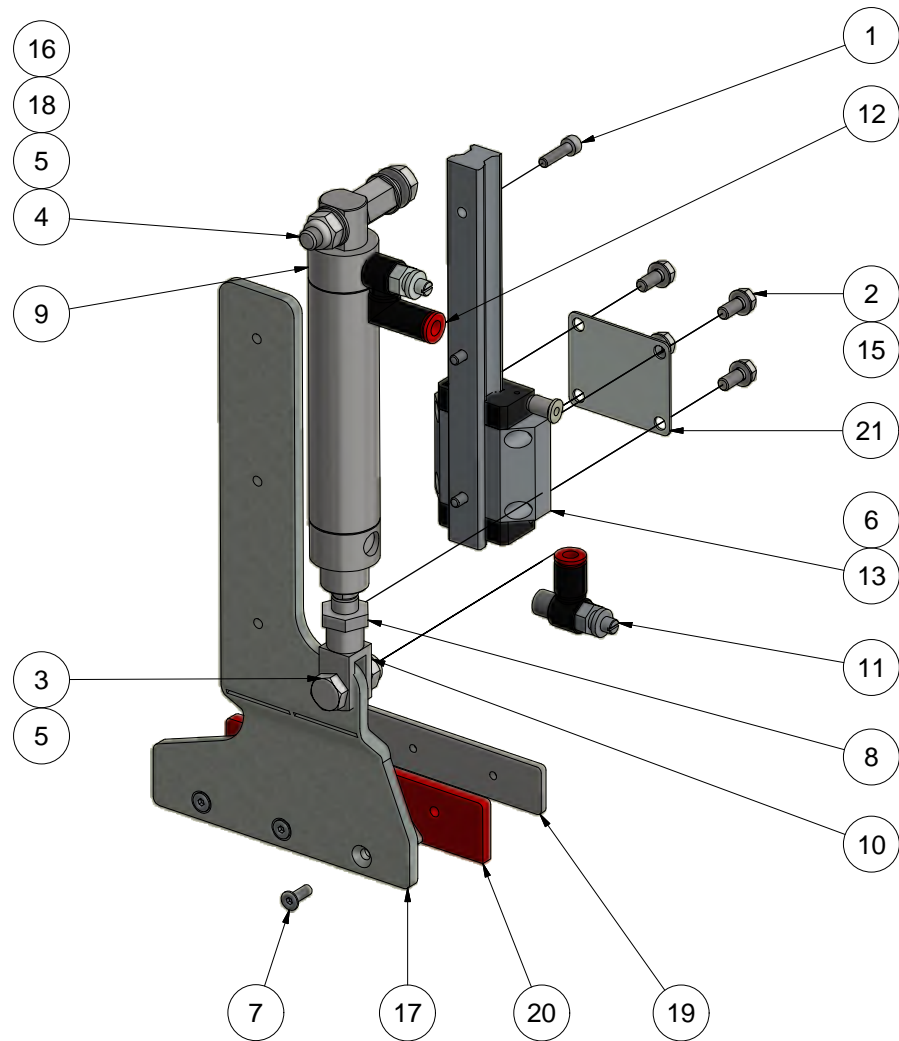
A (1:2,5)



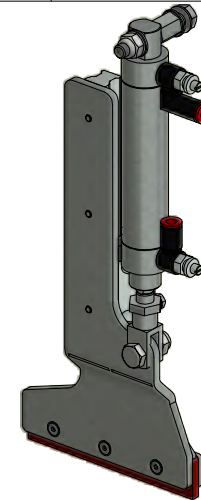
Break all edges

	Scale:	1:3,5	Not specified tolerance according to:	DS/ISO 2768-m	Sheet size:	A2
	Surface preparation:			No	Sheet:	1 / 1
Part No.:	M101822					
Description 1:	Beam scraper					
Description 2:						

Revision:	Approved	Date:	Revision Description
1	MBO	09-02-2016	Made



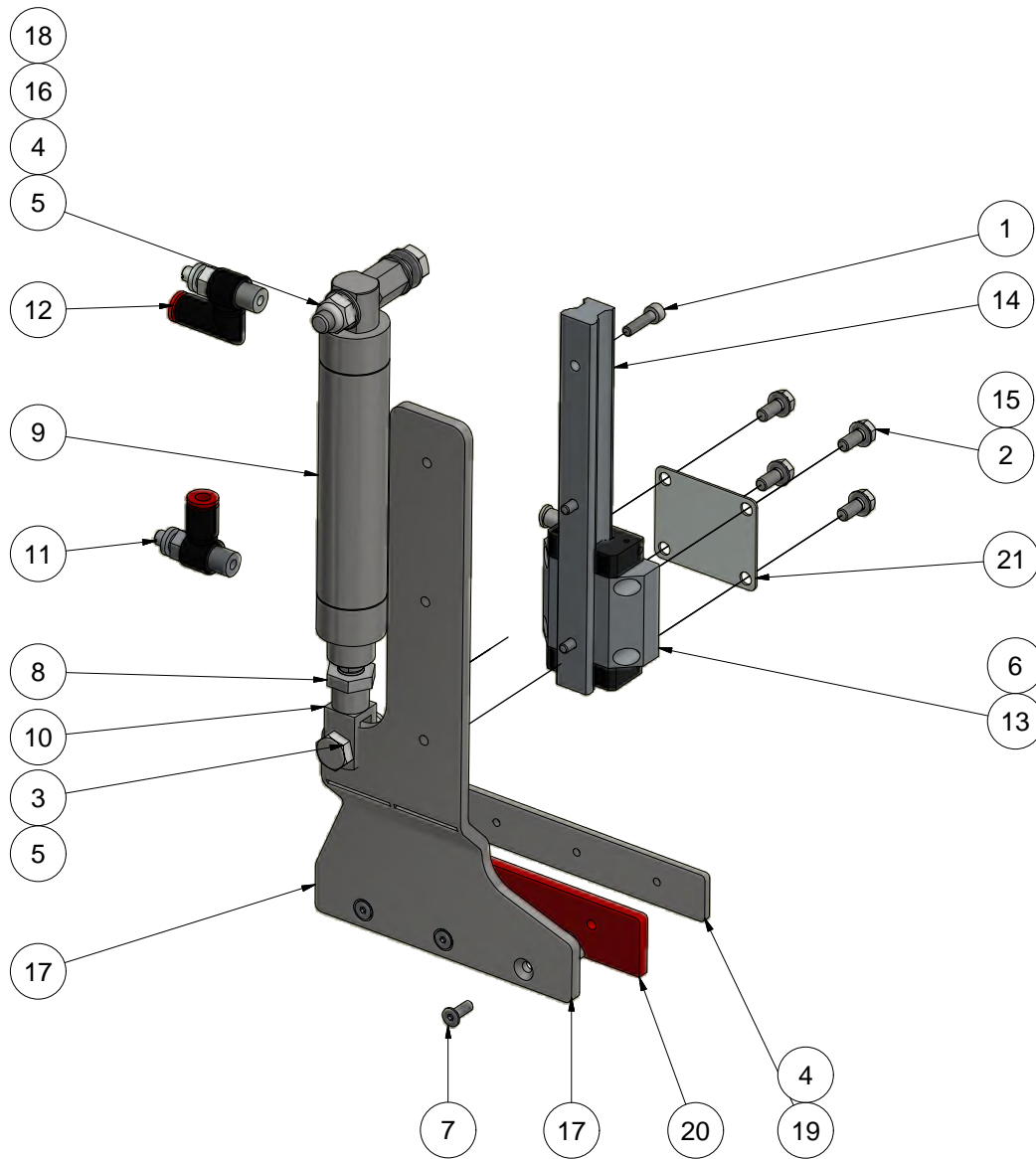
PARTS LIST			
ITEM	QTY	PART NUMBER	DESCRIPTION
1	3	10204016	Hexagon cylinder head M4x16 FZB
2	4	11405012	Hexagon bolt M5x12 FZB
3	1	11408025	Hexagon bolt M8x25 FZB
4	1	11408055	Hexagon bolt M8x55 FZB
5	2	17908000	Self-locking nut M8 FZB
6	1	199071	Straight connector mini < 4 x M3
7	3	20404012	Hexagon countersunk head M4x12 FZB
8	1	210427	Lock nut M10x1,25 FZB
9	1	211018	Cylinder RT/57225/M/80
10	1	214100	F-Bracket QM/57025/25
11	1	215110	Flow control banjo < 6 x 1/8"t
12	1	215114	Flow control banjo swivel < 6 x 1/8"t
13	1	222315	Ball runner block s.15 wide
14	1	222332	Ball guide rail s.15/160mm
15	4	82105900	Washer M5 FZB
16	3	82108000	Washer M8 FZB
17	1	M101781	Beam Scraping Plate Left
18	1	M101791	Cylinder spacer 17mm
19	1	M101844	Scraping Rubber Clamp 120x20
20	1	M101845	Scraping rubber 120x25mm
21	1	M101855	Spacer for 15mm wide guideblock



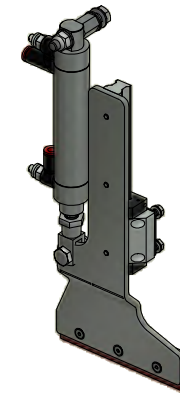
Break all edges

This drawing is the property of HEDENSTEDT GRUPPEN AS. It is not to be copied, reproduced or disseminated to any third party.			Scale:	Not specified tolerance according to:	Sheet size:	
			1 : 2	DS/ISO 2768-m	A3	
				Surface properties:	No	Sheet:
					1 / 1	
Part No.:		M101959				
Material:						
Description 1:						
Beam scrapert Left Top						
Description 2:						

Revision:	Approved	Date:	Revision Description
2	WA	09-01-2017	Bolts changed



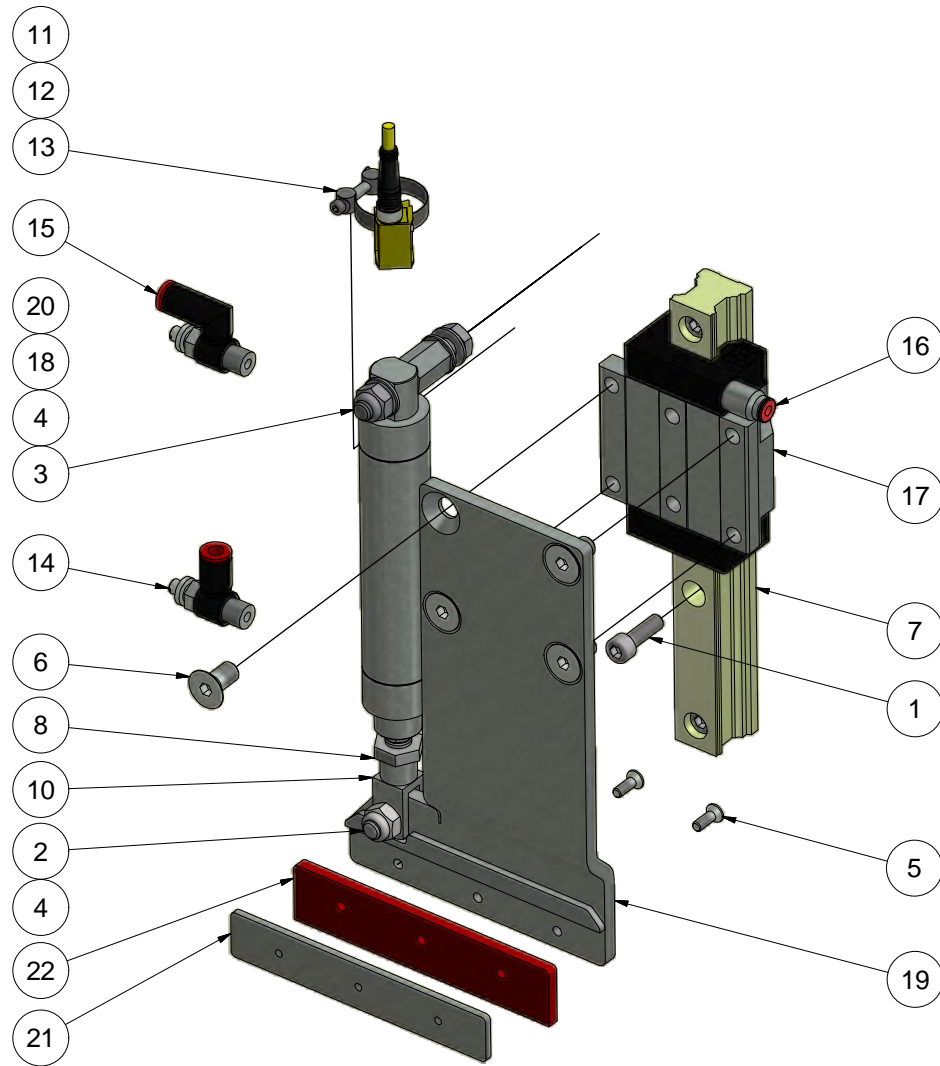
PARTS LIST			
ITEM	QTY	PART NUMBER	DESCRIPTION
1	3	10204016	Hexagon cylinder head M4x16 FZB
2	4	11405012	Hexagon bolt M5x12 FZB
3	1	11408025	Hexagon bolt M8x25 FZB
4	1	11408055	Hexagon bolt M8x55 FZB
5	2	17908000	Self-locking nut M8 FZB
6	1	199071	Straight connector mini < 4 x M3
7	3	20404012	Hexagon countersunk head M4x12 FZB
8	1	210427	Lock nut M10x1,25 FZB
9	1	211018	Cylinder RT/57225/M/80
10	1	214100	F-Bracket QM/57025/25
11	1	215110	Flow control banjo < 6 x 1/8"t
12	1	215114	Flow control banjo swivel < 6 x 1/8"t
13	1	222315	Ball runner block s.15 wide
14	1	222332	Ball guide rail s.15/160mm
15	4	82105900	Washer M5 FZB
16	3	82108000	Washer M8 FZB
17	1	M101780	Beam Scraping Plate Right
18	1	M101791	Cylinder spacer 17mm
19	1	M101844	Scraping Rubber Clamp 120x20
20	1	M101845	Scraping rubber 120x25mm
21	1	M101855	Spacer for 15mm wide guideblock



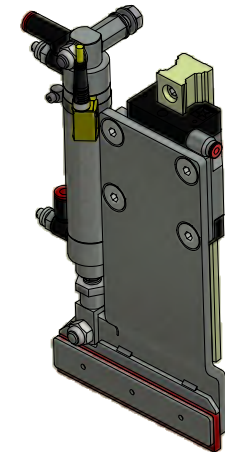
Break all edges

The information on this drawing is the property of HEDENSTEDT GRUPPEN A/S. It is not to be copied, reproduced or disclosed to any third person.		Scale: 1 : 2	Not specified tolerance according to: DS/ISO 2768-m	Sheet size: A3
			Surface properties: No	Sheet: 1 / 1
	Part No.: M101960	Material:		
	Description 1: Beam scraper Right Top	Description 2:		

Revision:	Approved	Date:	Revision Description
2	WA	09-01-2017	Bolts changes



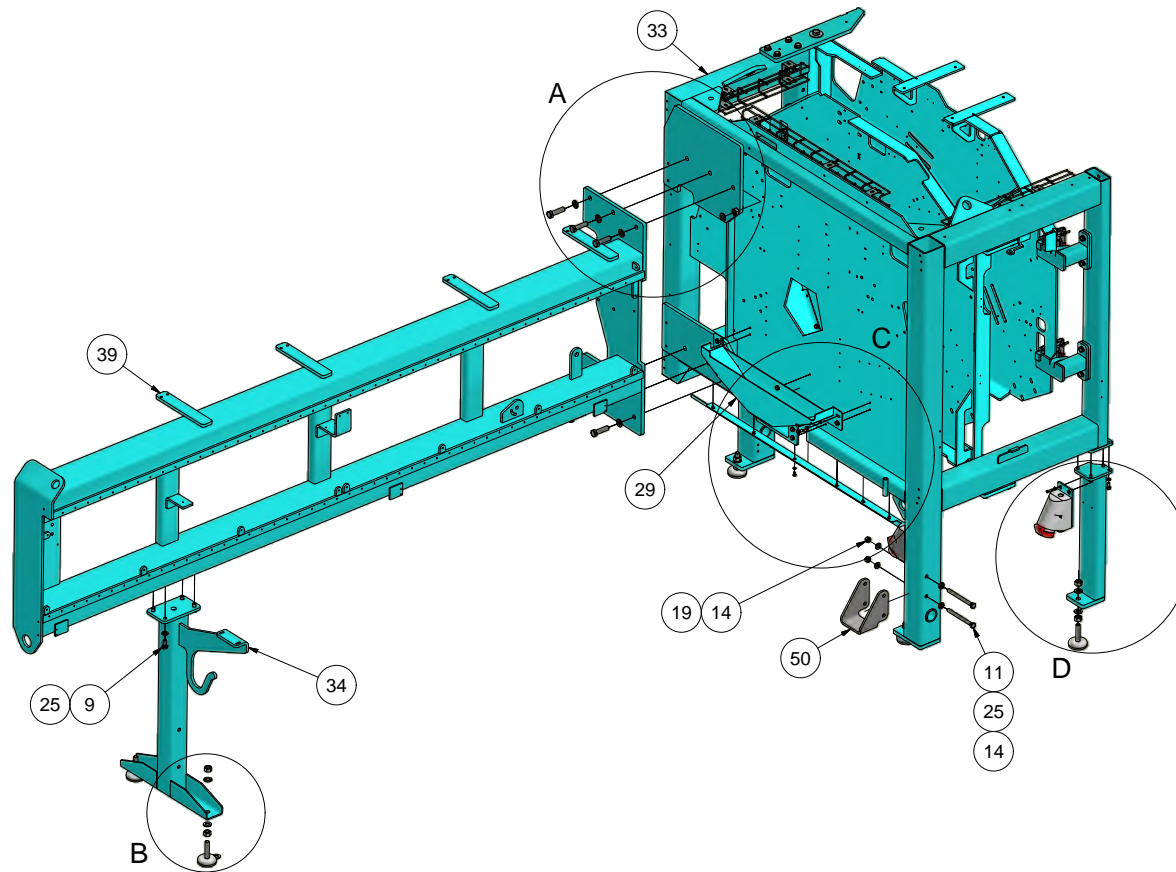
PARTS LIST			
ITEM	QTY	PART NUMBER	DESCRIPTION
1	4	10206020	Hexagon cylinder head M6x20 FZB
2	1	11408025	Hexagon bolt M8x25 FZB
3	1	11408055	Hexagon bolt M8x55 FZB
4	2	17908000	Self-locking nut M8 FZB
5	3	20404012	Hexagon countersunk head M4x12 FZB
6	4	20408016	Hexagon countersunk head M8x16 FZB
7	1	207990	Ball guide rail s.25/200mm
8	1	210427	Lock nut M10x1,25 FZB
9	1	211018	Cylinder RT/57225/M/80
10	1	214100	F-Bracket QM/57025/25
11	1	214311	Reed Inductive sensor for Roundline (Yellow)
12	1	214314	Cable w. plug M8 3P 3M
13	1	214319	Clamp for sensor < 8-25mm, KLP 25
14	1	215110	Flow control banjo < 6 x 1/8"t
15	1	215114	Flow control banjo swivel < 6 x 1/8"t
16	1	215926	Straight connector < 4 x M6
17	1	222300	Ball runner block s.25 wide
18	3	82108000	Washer M8 FZB
19	1	M101779	Beam Scraping Plate Middle
20	1	M101795	Cylinder spacer 19,4mm
21	1	M101844	Scraping Rubber Clamp 120x20
22	1	M101845	Scraping rubber 120x25mm



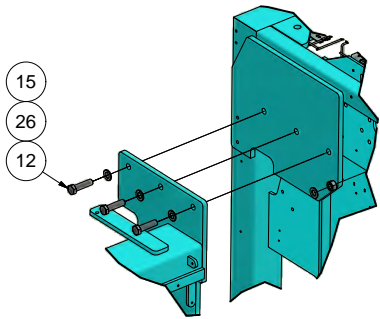
Break all edges

This drawing is the property of HEDENSTEDT GRUPPEN A/S. It is not to be copied, reproduced or disseminated to any third parties.		Scale: 1 : 2	Not specified tolerance according to: DS/ISO 2768-m	Sheet size: A3
	Part No.: M101961	Material:	Surface properties: No	Sheet: 1 / 1
	Description 1: Beam scraper Top			
	Description 2:			

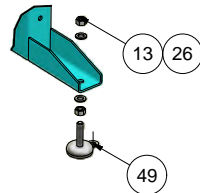
Revision:	Approved	Date:	Revision Description
2	WA	10-01-2017	Bolts changed



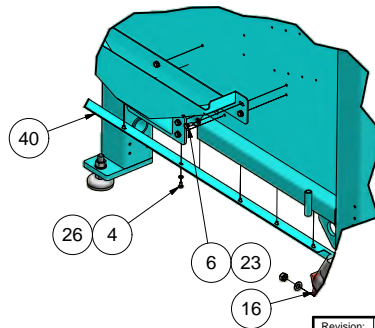
A (1 : 10)



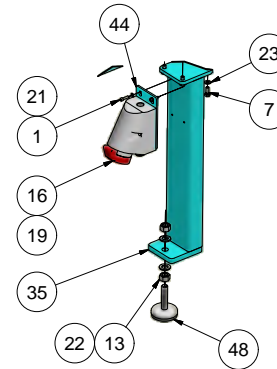
B (1 : 10)



C (1 : 10)



D (1 : 10)



PARTS LIST

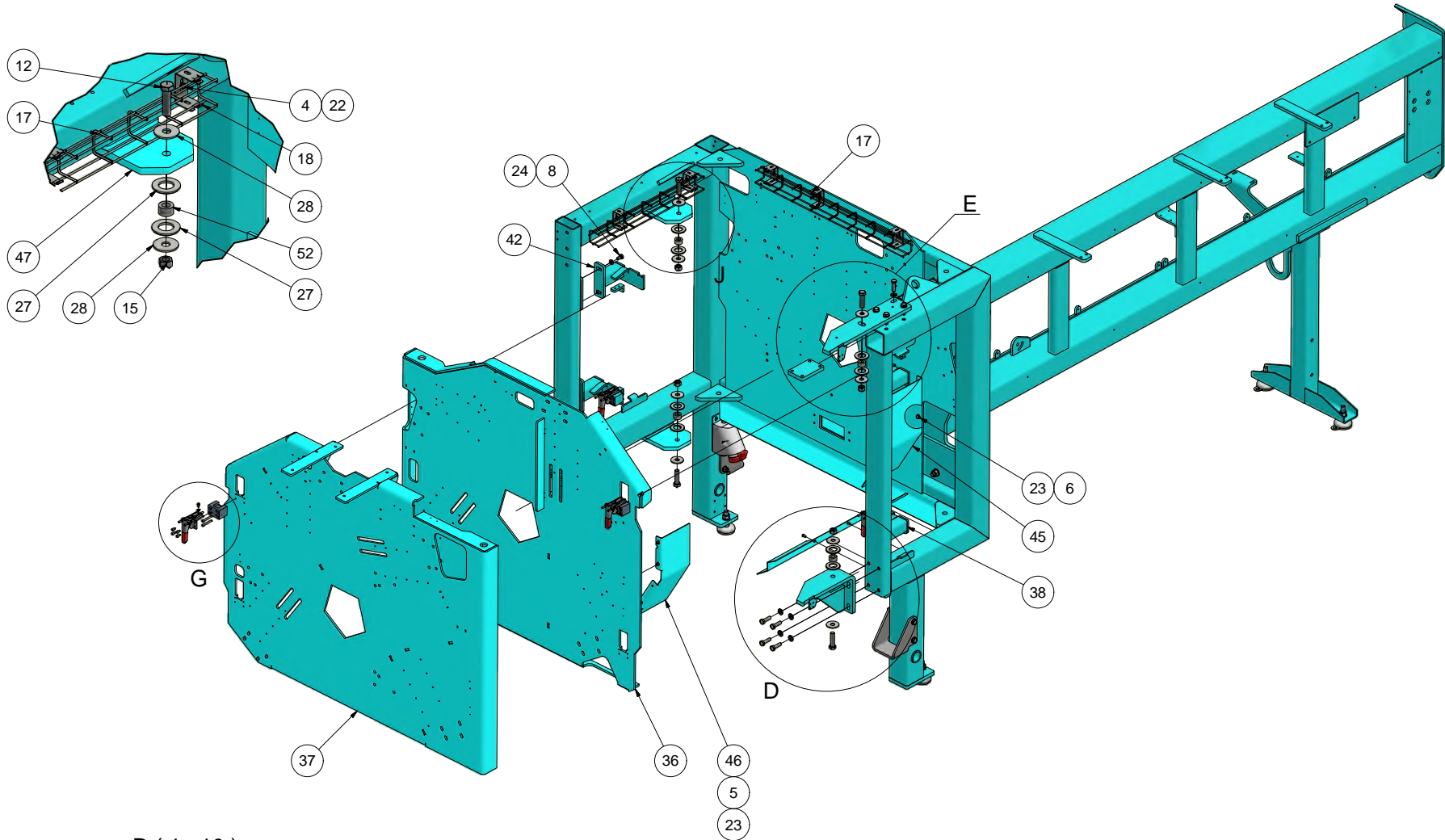
ITEM	QTY	PART NUMBER	DESCRIPTION
1	4	10205020	Hexagon cylinder head M5x20 FZB
2	14	10206010	Hexagon cylinder head M6x10 FZB
3	16	10206045	Hexagon cylinder head M6x45 FZB
4	21	11406010	Hexagon bolt M6x10 FZB
5	3	11408012	Hexagon bolt M8x12 FZB
6	13	11408016	Hexagon bolt M8x16 FZB
7	4	11408020	Hexagon bolt M8x20 FZB
8	8	11410020	Hexagon bolt M10x20 FZB
9	12	11412025	Hexagon bolt M12x25 FZB
10	8	11412040	Hexagon bolt M12x40 FZB
11	4	11412140	Hexagon bolt M12x140 FZB
12	10	11416000	Hexagon bolt M16x60 FZB
13	10	1516000	Nut M16 FZB
14	4	17912000	Self-locking nut M12 FZB
15	10	17916000	Self-locking nut M16 FZB
16	2	197504	CEE Wall socket 5P/16A/400V
17	2,0 m	600440	Cable duct metal CF 54_50
18	7	600445	Cable duct U-bracket UC 50-G
19	2	600455	Cabel gland M20 < 5-12
20	3	76006012	Buttonhead bolt M6x12 FZB
21	4	82105900	Washer M5 FZB
22	21	82106000	Washer M6 FZB
23	20	82108000	Washer M8 FZB
24	8	82110000	Washer M10 FZB
25	28	82112000	Washer M12 FZB
26	22	82116000	Washer M16 FZB
27	8	82130000	Washer M30 FZB
28	8	82616000	Washer < 17x< 50x3 FZB
29	1	M101766	Funnel For Beam Wash
30	4	M101800	Block For Clamp Lock
31	1	M101801	Door Bottom Hinge
32	4	M101824	Latch clamp GN851.1 - 320 - t3
33	1	M101835	Frame Welding HG10
34	1	M101838	Leg Frame
35	1	M101839	Frame Leg
36	1	M101840	Door 1
37	1	M101841	Door 2
38	2	M101842	Guide Bracket Left
39	1	M101875	Frame, machined
40	1	M101893	Frame Slope
41	1	M101894	Frame Slope
42	2	M101966	Guide Bracket Right
43	1	M101967	Door Top Hinge
44	2	M101968	Plate for Wall socket 5-pole
45	1	M102445	Shute for L1T, HG10
46	1	M102446	Shute for Top1, HG10
47	2	M11763	Door Bracket Plate
48	3	M200102	Machine shoe M16x70x< 70
49	2	M200103	Machine shoe w. eye M16x70x< 70
50	2	M201310	Bracket For Hydraulic Jack
51	2	M201560	Plate
52	4	M20645	Bushing

Break all edges

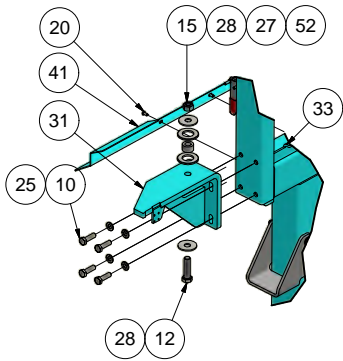
HEIKEN/STED GRUPPEN A/S The information on this drawing is the property of HEIKEN/STED GRUPPEN A/S	Scale:	1:14	Not specified tolerance according to:	DS/ISO 2768-m	Sheet size:	A2
	Part No.:	M101837	Surface properties:	No	Sheet:	1 / 3
	Description 1:	Frame Complet HG10				
Description 2:						

Revision:	Approved	Date:	Revision Description
2	KL	09-12-2016	Components added / changed

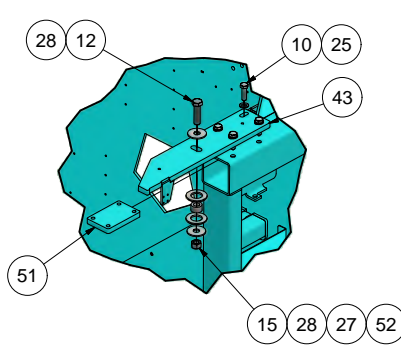
J (1:6)



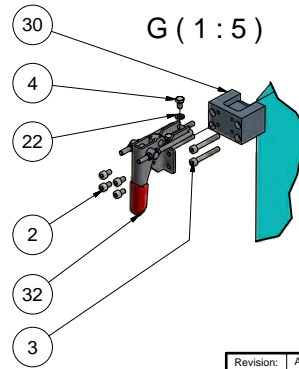
D (1:10)



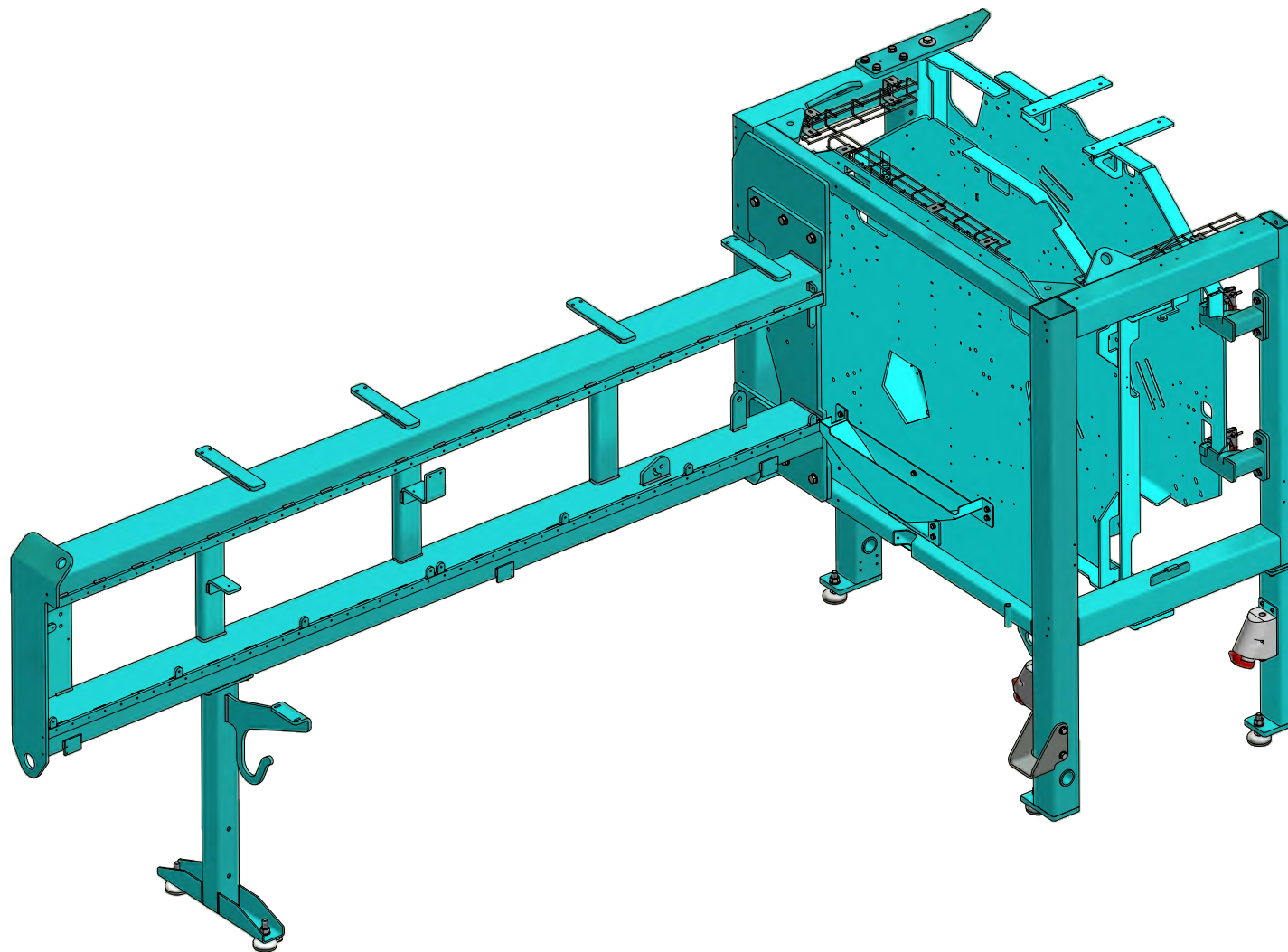
E (1:10)




G (1:5)

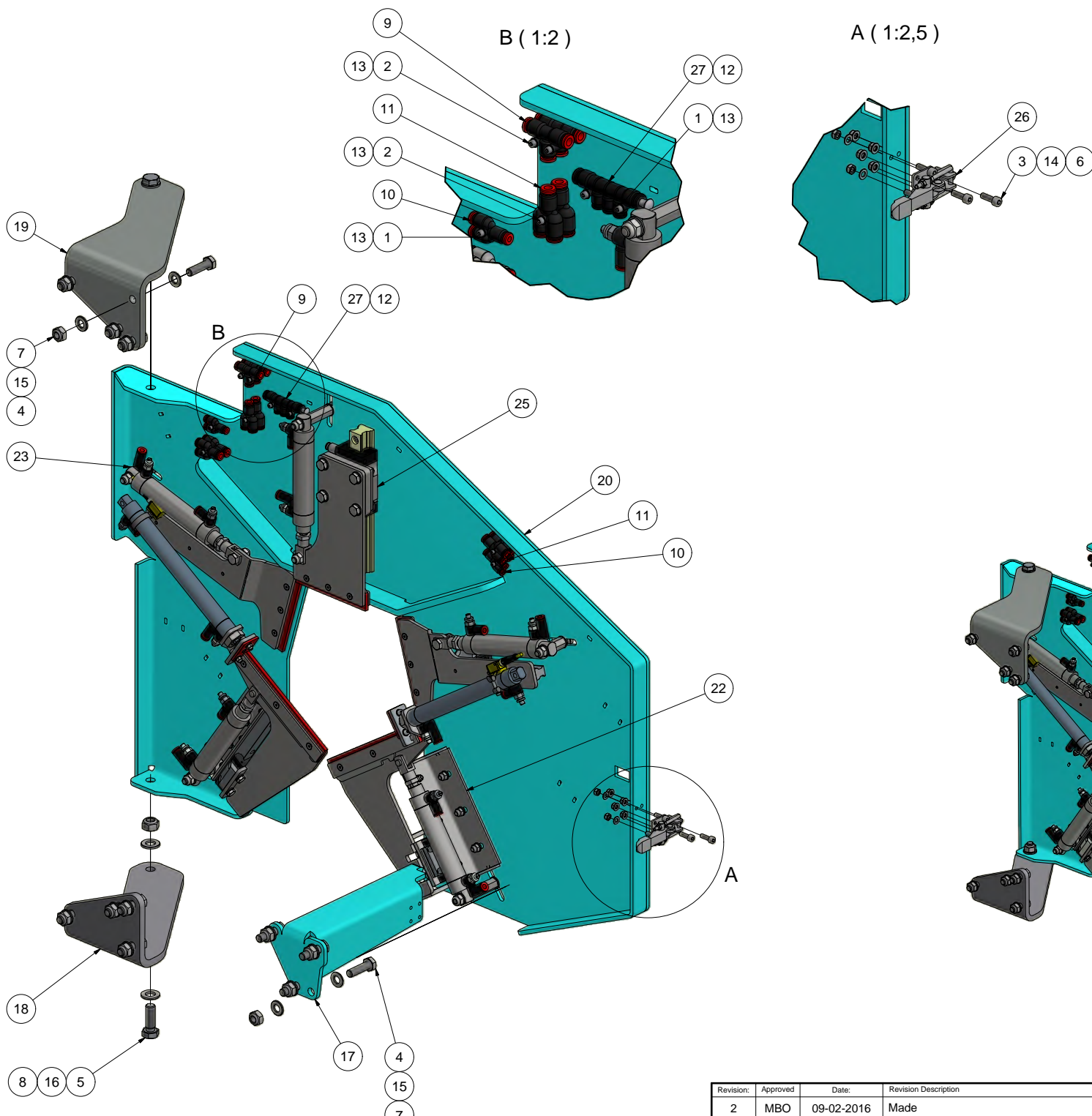


Break all edges			
	Scale:	Not specified tolerance according to:	Sheet size:
	1:14	DS/ISO 2768-m	A2
	Surface properties:	No	Sheet:
			2/3
Part No.: M101837			
Description 1: Frame Complet HG10			
Description 2:			
Revision:	Approved	Date:	Revision Description
2	KL	09-12-2016	Components added / changed



Break all edges			
<small>THE INFORMATION CONTAINED HEREIN IS THE PROPERTY OF HEIKEL/STED GRUPPEN A/S</small> 	Scale:	Not specified tolerance according to:	Sheet size:
	1:14	DS/ISO 2768-m	A2
<small>Part No.:</small> M101837 	Surface properties:	No	Sheet:
	Material:		3 / 3
Description 1:		Frame Complet HG10	
Description 2:			

Revision:	Approved	Date:	Revision Description
2	KL	09-12-2016	Components added / changed



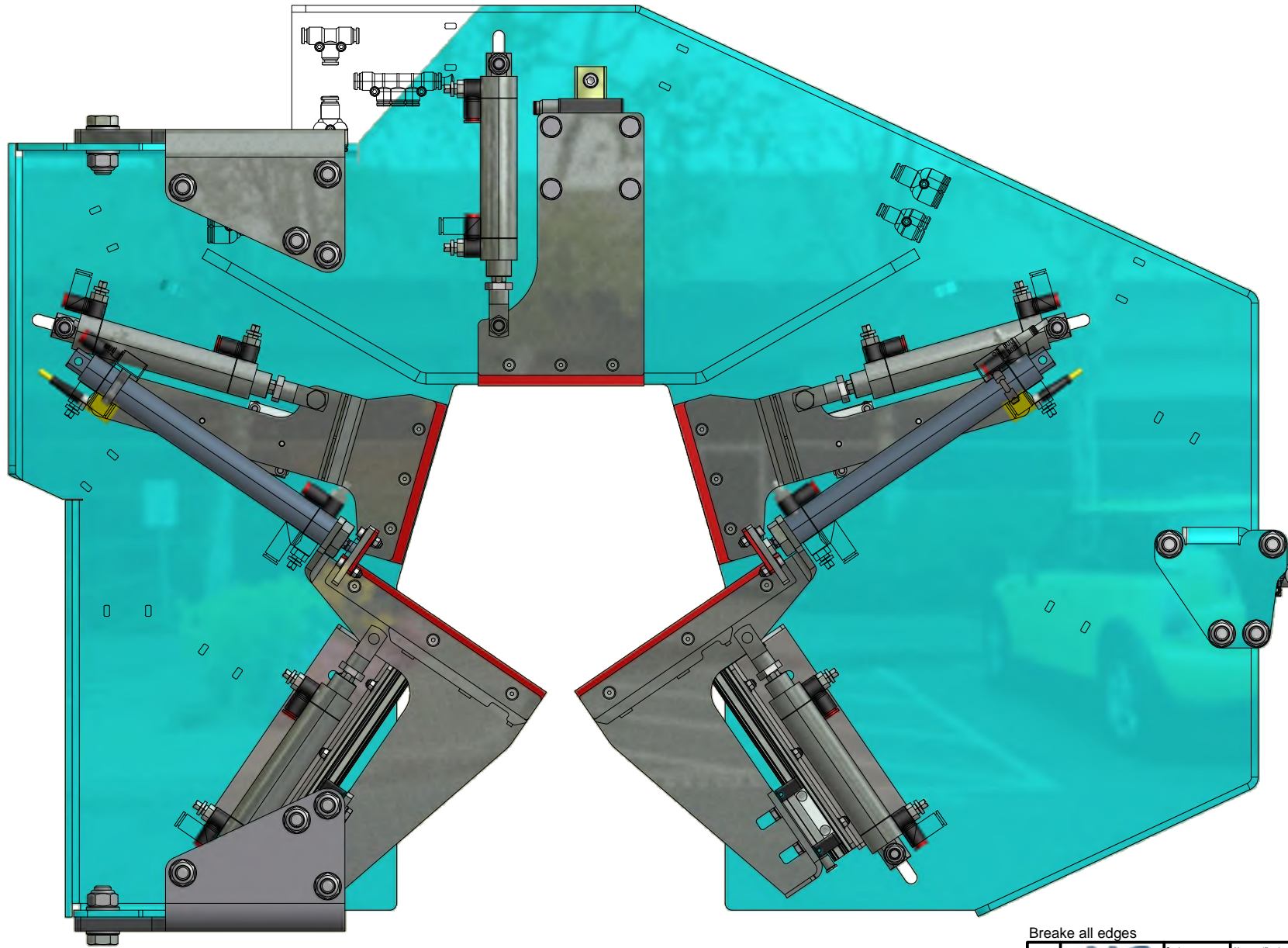
PARTS LIST

ITEM	QTY	PART NUMBER	DESCRIPTION
1	4	10203016	Hexagon cylinder head M3x16 FZB
2	5	10203030	Hexagon cylinder head M3x30 FZB
3	6	10205016	Hexagon cylinder head M5x16 FZB
4	12	11410035	Hexagon bolt M10x35 FZB
5	2	11412035	Hexagon bolt M12x35 FZB
6	6	17905000	Self-locking nut M5 FZB
7	12	17910000	Self-locking nut M10 FZB
8	2	17912000	Self-locking nut M12 FZB
9	2	215850	Tee <6 x <6 x <6
10	2	215857	Y-connector 2x<4 x <4
11	6	215860	Y-connector 2x<6 x <6
12	1	216748	Plug <6 mm
13	9	82103000	Washer M3 FZB
14	6	82105900	Washer M5 FZB
15	24	82110000	Washer M10 FZB
16	4	82112000	Washer M12 FZB
17	1	M101803	Bracket skin scraper lock
18	1	M101804	Bracket skin scraper bottom
19	1	M101805	Bracket skin scraper top
20	1	M101847	Skin scraper HG10 base plate
21	1	M101949	Skin scraper HG10 left bottom
22	1	M101950	Skin scraper HG10 right bottom
23	1	M101951	Skin scraper HG10 left top
24	1	M101952	Skin scraper HG10 right top
25	1	M101953	Skin scraper HG10 Top
26	1	M200203	Latch clamp GN 851-160-T2
27	1	M201140	Manifold <6 x 3x<4 x <6

Break all edges

Scale:	1:3,5	Not specified tolerance according to:	DS/ISO 2768-m	Sheet size:	A2
Surface properties:	⊕	No		Sheet:	1/2
Part No.:	M101856				
Description 1:	Skin scraper HG10				
Description 2:					

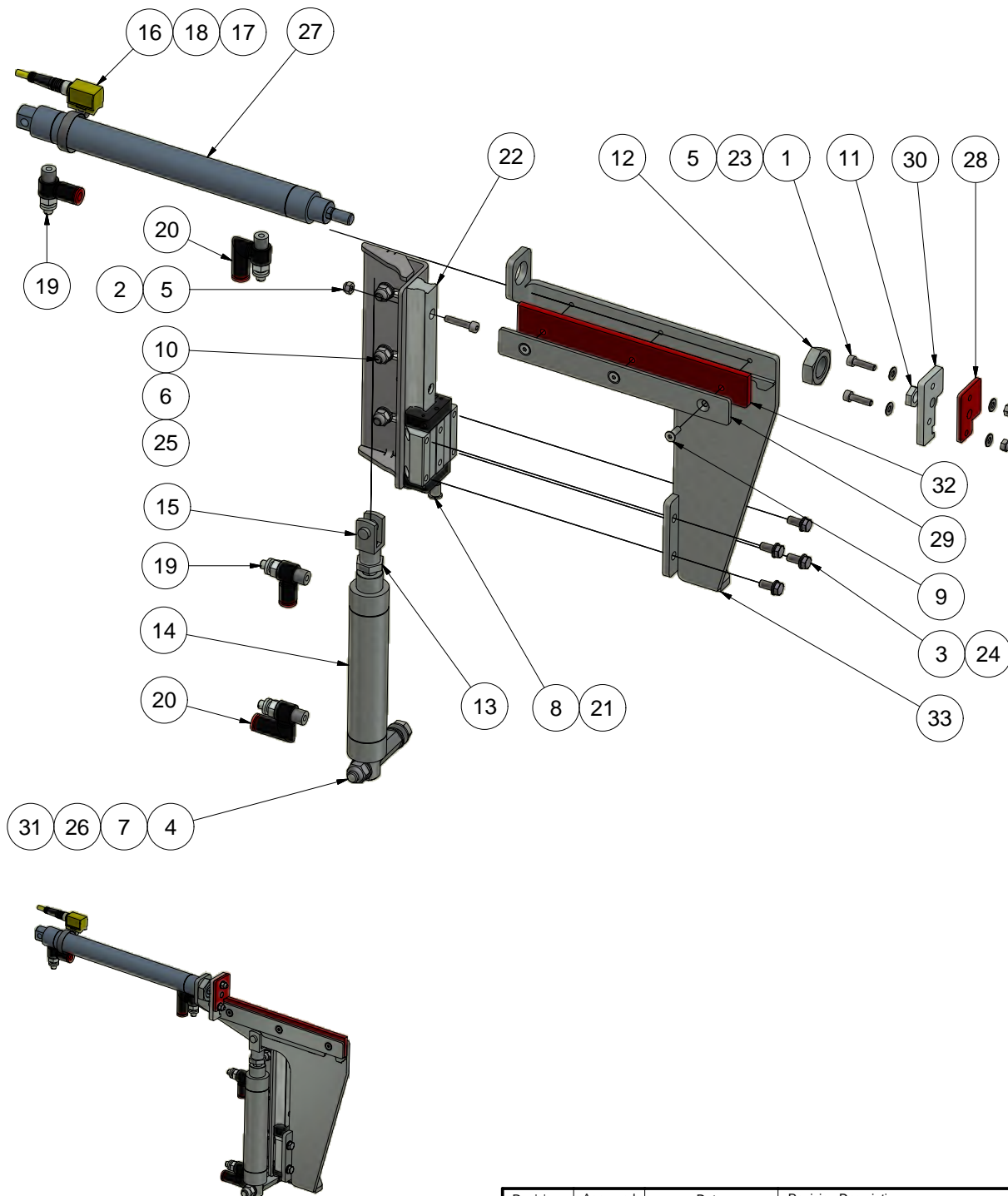
Revision:	Approved	Date:	Revision Description
2	MBO	09-02-2016	Made



Breake all edges

The drawing is not valid for production until it is approved by the responsible person. HEDENSTED GRUPPEN A/S		Scale: 1:3,5	Not specified tolerance according to: DS/ISO 2768-m	Sheet size: A3
		Surface properties: No		Sheet: 2 / 2
	Part No.: M101856	Material:		
	Description 1: Skind scraper HG10	Description 2:		

Revision:	Approved	Date:	Revision Description
2	MBO	09-02-2016	Made

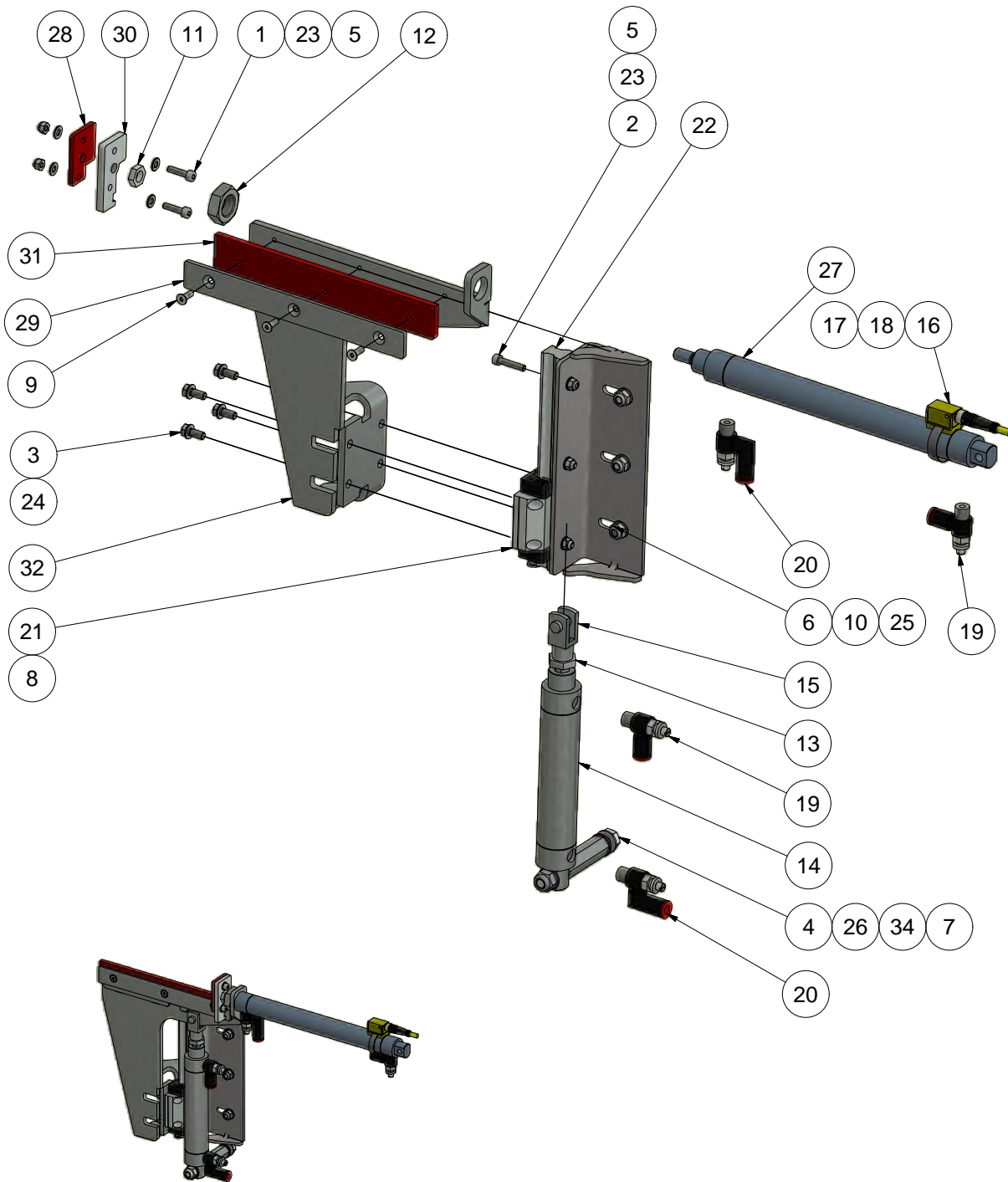


PARTS LIST			
ITEM	QTY	PART NUMBER	DESCRIPTION
1	2	10204016	Hexagon cylinder head M4x16 FZB
2	3	10204020	Hexagon cylinder head M4x20 FZB
3	4	11405012	Hexagon bolt M5x12 FZB
4	1	11408065	Hexagon bolt M8x65 FZB
5	5	17904000	Self-locking nut M4 FZB
6	3	17906000	Self-locking nut M6 FZB
7	1	17908000	Self-locking nut M8 FZB
8	1	199071	Straight connector mini < 4 x M3
9	3	20404012	Hexagon countersunk head M4x12 FZB
10	3	20406020	Hexagon countersunk head M6x20 FZB
11	1	210421	Lock nut M8 FZB
12	1	210422	Lock nut M16x1,5 FZB
13	1	210427	Lock nut M10x1,25 FZB
14	1	211018	Cylinder RT/57225/M/80
15	1	214100	F-Bracket QM/57025/25
16	1	214311	Reed Inductive sensor for Roundline (Yellow)
17	1	214314	Cable w. plug M8 3P 3M
18	1	214319	Clamp for sensor < 8-25mm, KLP 25
19	2	215110	Flow control banjo < 6 x 1/8"t
20	2	215114	Flow control banjo swivel < 6 x 1/8"t
21	1	222315	Ball runner block s.15 wide
22	1	222332	Ball guide rail s.15/160mm
23	7	82104000	Washer M4 FZB
24	4	82105900	Washer M5 FZB
25	3	82106000	Washer M6 FZB
26	3	82108000	Washer M8 FZB
27	1	M101729	Cylinder RT/57220/M/160
28	1	M101792	Rubber for cleaner, HG10
29	1	M101793	Rubber clamp bottom, HG10
30	1	M101794	Plate for cleaner, HG10
31	1	M101843	Cylinder spacer 29mm
32	1	M101846	Scraping rubber 178x25mm
33	1	M101852	Skin scraper plate bottom left
34	1	M101854	Skin scraper, bracket bottom

Break all edges

This drawing is the property of HEDENSTEDT GRUPPEN A/S. It is not to be copied, reproduced or disclosed to any third parties.			Scale:	1 : 3	Not specified tolerance according to:	DS/ISO 2768-m	Sheet size:	A3	
			Surface properties:	No				Sheet:	1 / 1
	Part No.:		M101949		Material:				
	Description 1:		Skin scraper HG10 left bottom						Description 2:

Revision:	Approved	Date:	Revision Description
1	MBO	17-02-2016	Made

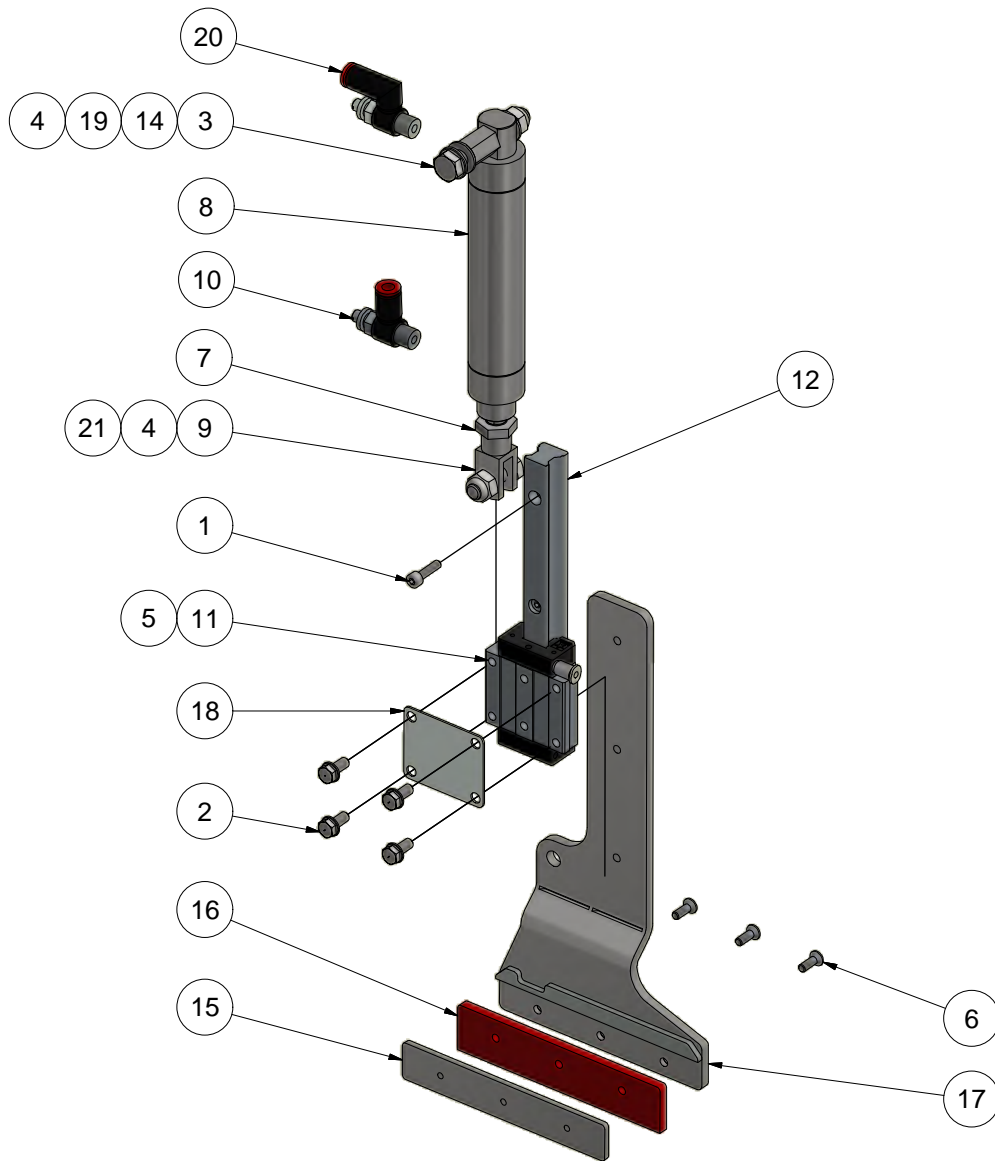


PARTS LIST			
ITEM	QTY	PART NUMBER	DESCRIPTION
1	2	10204016	Hexagon cylinder head M4x16 FZB
2	3	10204020	Hexagon cylinder head M4x20 FZB
3	4	11405012	Hexagon bolt M5x12 FZB
4	1	11408080	Hexagon bolt M8x80 FZB
5	5	17904000	Self-locking nut M4 FZB
6	3	17906000	Self-locking nut M6 FZB
7	1	17908000	Self-locking nut M8 FZB
8	1	199071	Straight connector mini < 4 x M3
9	3	20404012	Hexagon countersunk head M4x12 FZB
10	3	20406020	Hexagon countersunk head M6x20 FZB
11	1	210421	Lock nut M8 FZB
12	1	210422	Lock nut M16x1,5 FZB
13	1	210427	Lock nut M10x1,25 FZB
14	1	211018	Cylinder RT/57225/M/80
15	1	214100	F-Bracket QM/57025/25
16	1	214311	Reed Inductive sensor for Roundline (Yellow)
17	1	214314	Cable w. plug M8 3P 3M
18	1	214319	Clamp for sensor < 8-25mm, KLP 25
19	2	215110	Flow control banjo < 6 x 1/8"t
20	2	215114	Flow control banjo swivel < 6 x 1/8"t
21	1	222315	Ball runner block s.15 wide
22	1	222332	Ball guide rail s.15/160mm
23	7	82104000	Washer M4 FZB
24	4	82105900	Washer M5 FZB
25	3	82106000	Washer M6 FZB
26	3	82108000	Washer M8 FZB
27	1	M101729	Cylinder RT/57220/M/160
28	1	M101792	Rubber for cleaner, HG10
29	1	M101793	Rubber clamp bottom, HG10
30	1	M101794	Plate for cleaner, HG10
31	1	M101846	Scraping rubber 178x25mm
32	1	M101851	Skin scraper plate bottom right
33	1	M101854	Skin scraper, bracket bottom
34	1	M101954	Cylinder spacer 47mm

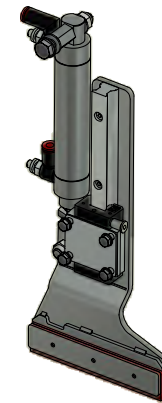
Revision:	Approved	Date:	Revision Description
1	MBO	17-02-2016	Made

Break all edges

	Scale:	Not specified tolerance according to:	Sheet size:
	1:3	DS/ISO 2768-m	A3
	Surface properties:		Sheet:
	No		1/1
Part No.:	Material:		
M101950			
Description 1:			
Skin scraper HG10 right bottom			
Description 2:			



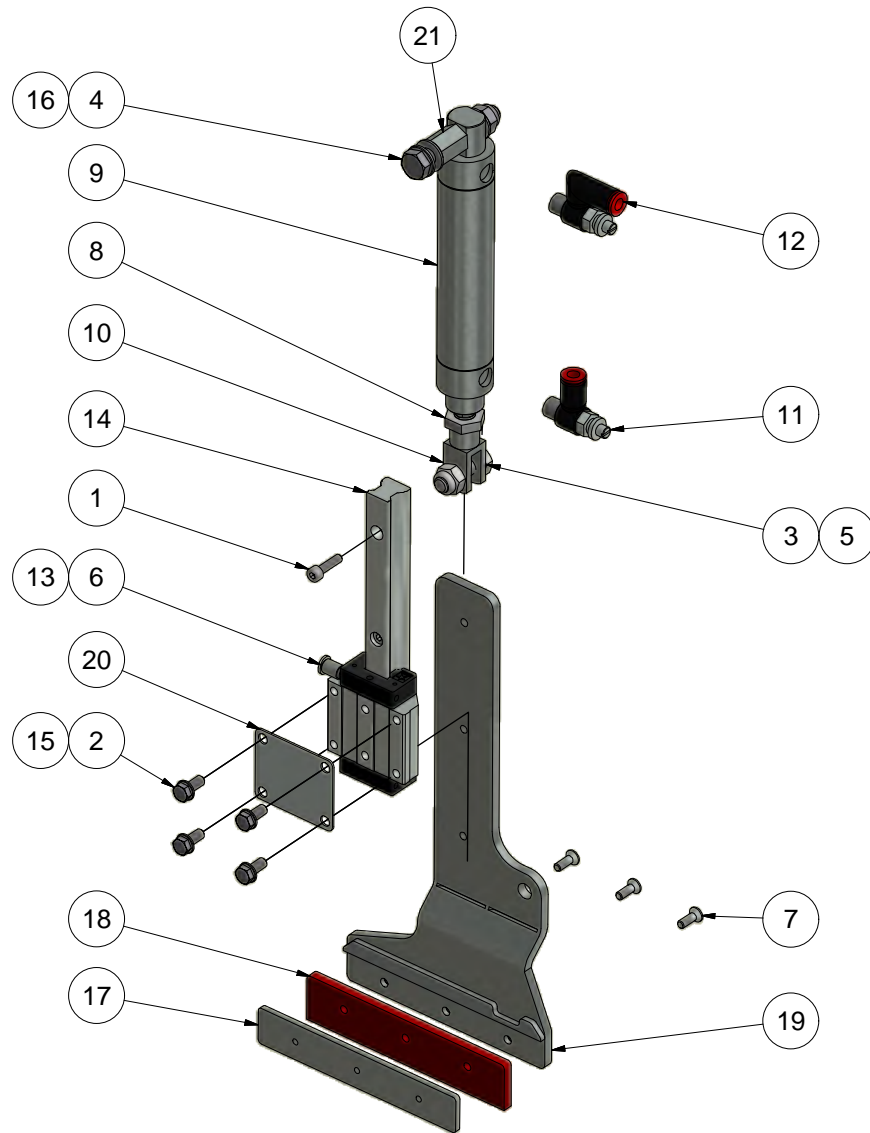
PARTS LIST			
ITEM	QTY	PART NUMBER	DESCRIPTION
1	3	10204016	Hexagon cylinder head M4x16 FZB
2	4	11405012	Hexagon bolt M5x12 FZB
3	1	11408055	Hexagon bolt M8x55 FZB
4	2	17908000	Self-locking nut M8 FZB
5	1	199071	Straight connector mini < 4 x M3
6	3	20404012	Hexagon countersunk head M4x12 FZB
7	1	210427	Lock nut M10x1,25 FZB
8	1	211018	Cylinder RT/57225/M/80
9	1	214100	F-Bracket QM/57025/25
10	1	215110	Flow control banjo < 6 x 1/8"t
11	1	222315	Ball runner block s.15 wide
12	1	222332	Ball guide rail s.15/160mm
13	4	82105900	Washer M5 FZB
14	3	82108000	Washer M8 FZB
15	1	M101844	Scraping Rubber Clamp 120x20
16	1	M101845	Scraping rubber 120x25mm
17	1	M101849	Skin scraper plate left
18	1	M101855	Spacer for 15mm wide guideblock
19	1	M200800	Cylinder spacer 19mm
20	1	215114	Flow control banjo swivel < 6 x 1/8"t
21	1	11408025	Hexagon bolt M8x25 FZB



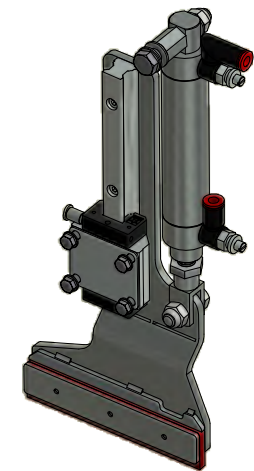
Break all edges

The information on this drawing is the property of HEDENSTEDT GRUPPEN A/S. It is not to be copied, reproduced or disclosed to any third person.		Scale: 1 : 2,5	Not specified tolerance according to: DS/ISO 2768-m	Sheet size: A3
			Surface properties: No	Sheet: 1 / 1
	Part No.:	M101951		
	Description 1:	Skin scraper HG10 left top		
Description 2:				

Revision:	Approved	Date:	Revision Description
2	WA	09-01-2017	Made



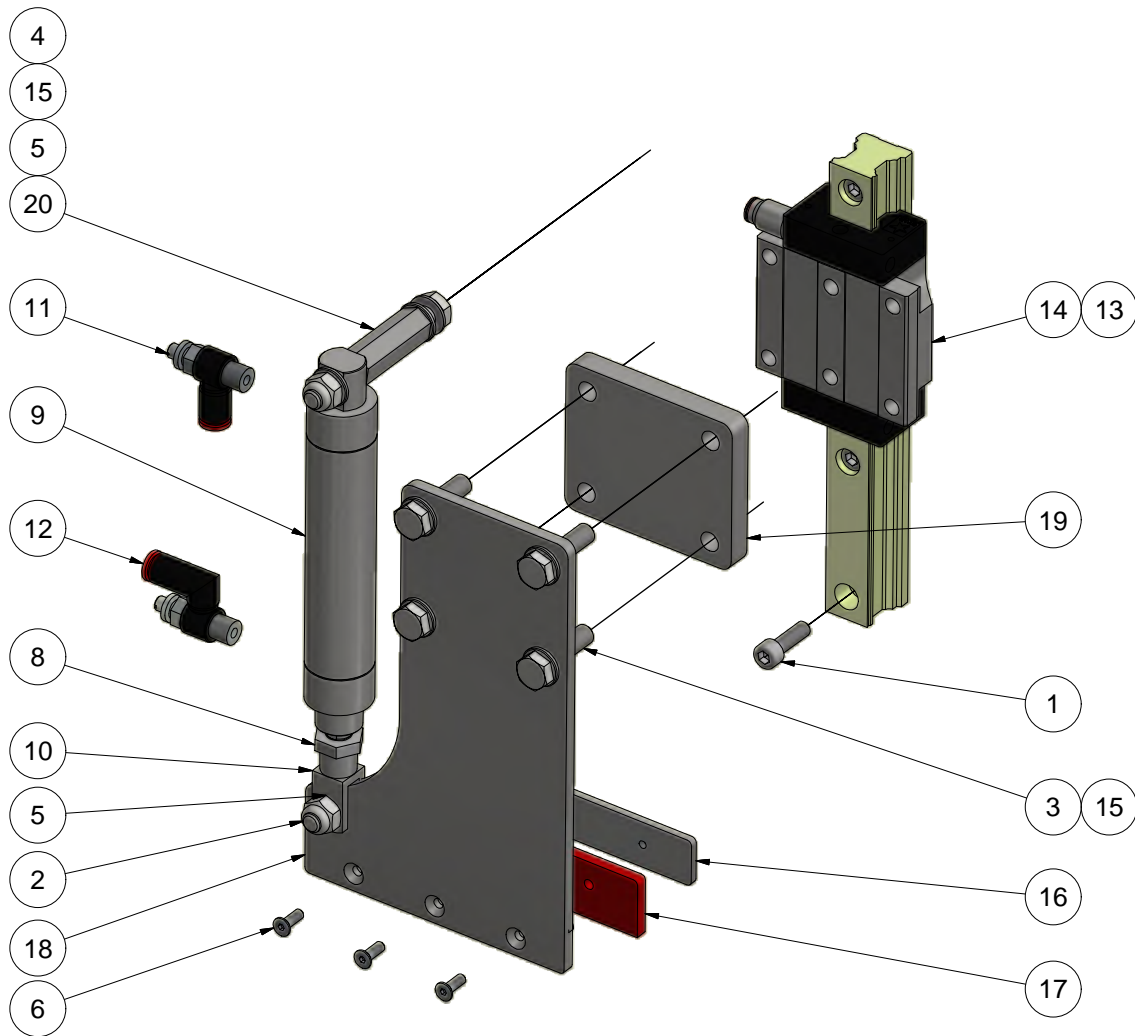
PARTS LIST			
ITEM	QTY	PART NUMBER	DESCRIPTION
1	3	10204016	Hexagon cylinder head M4x16 FZB
2	4	11405012	Hexagon bolt M5x12 FZB
3	1	11408025	Hexagon bolt M8x25 FZB
4	1	11408055	Hexagon bolt M8x55 FZB
5	2	17908000	Self-locking nut M8 FZB
6	1	199071	Straight connector mini < 4 x M3
7	3	20404012	Hexagon countersunk head M4x12 FZB
8	1	210427	Lock nut M10x1,25 FZB
9	1	211018	Cylinder RT/57225/M/80
10	1	214100	F-Bracket QM/57025/25
11	1	215110	Flow control banjo < 6 x 1/8"t
12	1	215114	Flow control banjo swivel < 6 x 1/8"t
13	1	222315	Ball runner block s.15 wide
14	1	222332	Ball guide rail s.15/160mm
15	4	82105900	Washer M5 FZB
16	3	82108000	Washer M8 FZB
17	1	M101844	Scraping Rubber Clamp 120x20
18	1	M101845	Scraping rubber 120x25mm
19	1	M101848	Skin scraper plate right
20	1	M101855	Spacer for 15mm wide guideblock
21	1	M200800	Cylinder spacer 19mm



Break all edges

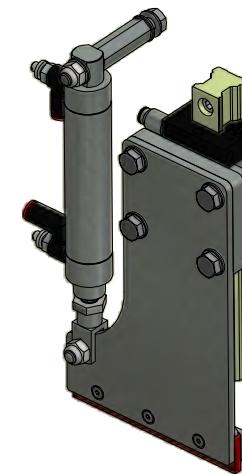
The drawing is a technical drawing and is not to be used for manufacturing purposes without the approval of the responsible person.		Scale:	Not specified tolerance according to:	Sheet size:
		1 : 2,5	DS/ISO 2768-m	A3
		Surface properties:		Sheet:
		No		1 / 1
Part No.:		Material:		
M101952				
Description 1:				
Skin scraper right top				
Description 2:				

Revision:	Approved	Date:	Revision Description
2	WA	17-02-2016	Bolts Changed



PARTS LIST

ITEM	QTY	PART NUMBER	DESCRIPTION
1	4	10206020	Hexagon cylinder head M6x20 FZB
2	1	11408025	Hexagon bolt M8x25 FZB
3	4	11408030	Hexagon bolt M8x30 FZB
4	1	11408075	Hexagon bolt M8x75 FZB
5	2	17908000	Self-locking nut M8 FZB
6	3	20404012	Hexagon countersunk head M4x12 FZB
7	1	207990	Ball guide rail s.25/200mm
8	1	210427	Lock nut M10x1,25 FZB
9	1	211018	Cylinder RT/57225/M/80
10	1	214100	F-Bracket QM/57025/25
11	1	215110	Flow control banjo < 6 x 1/8"t
12	1	215114	Flow control banjo swivel < 6 x 1/8"t
13	1	215926	Straight connector < 4 x M6
14	1	222300	Ball runner block s.25 wide
15	7	82108000	Washer M8 FZB
16	1	M101844	Scraping Rubber Clamp 120x20
17	1	M101845	Scraping rubber 120x25mm
18	1	M101850	Skin scraper plate top
19	1	M200795	Spacer
20	1	M200805	Cylinder spacer 40mm



Break all edges

The data on this drawing is subject to change without notice and is not to be used for manufacturing purposes. HEDENSTED GRUPPEN A/S			Scale:	1 : 2	Not specified tolerance according to:	DS/ISO 2768-m	Sheet size:	A3	
			Surface properties:	No		Sheet:	1 / 1		
	Part No.:		M101953		Material:				
	Description 1:		Skin scraper HG10 Top						
Description 2:									

Revision:	Approved	Date:	Revision Description
2	WA	09-01-2017	Bolts changed