

HG

SPARE PARTS

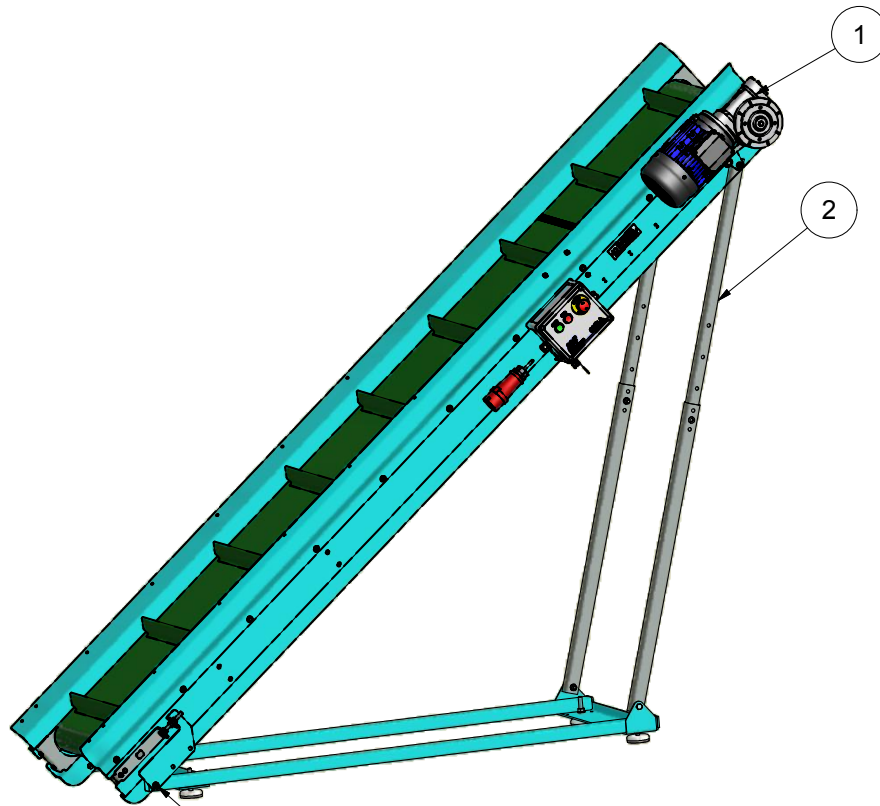


HG Conveyor 600x2800mm

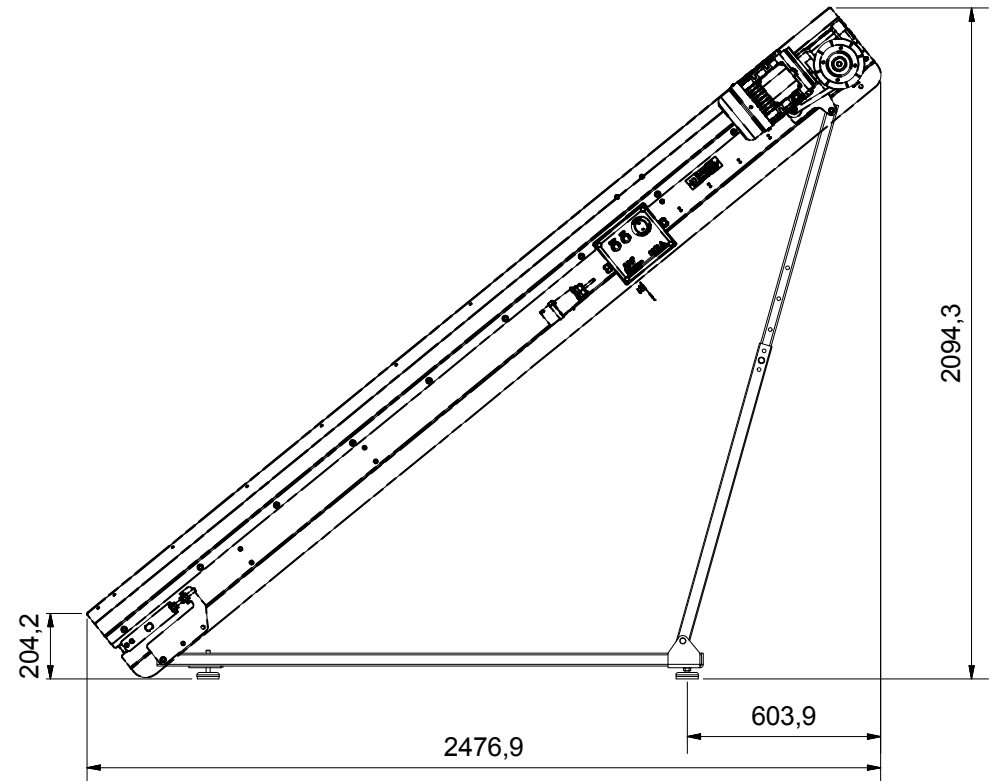
1. Table of contents.

1. Table of content.
2. Spare parts.
3. Electric diagrams.

| PARTS LIST | | | |
|------------|-----|-------------|-----------------------|
| ITEM | QTY | PART NUMBER | DESCRIPTION |
| 1 | 1 | M100564 | Assembly conveyor |
| 2 | 1 | M100589 | Bottom frame assembly |



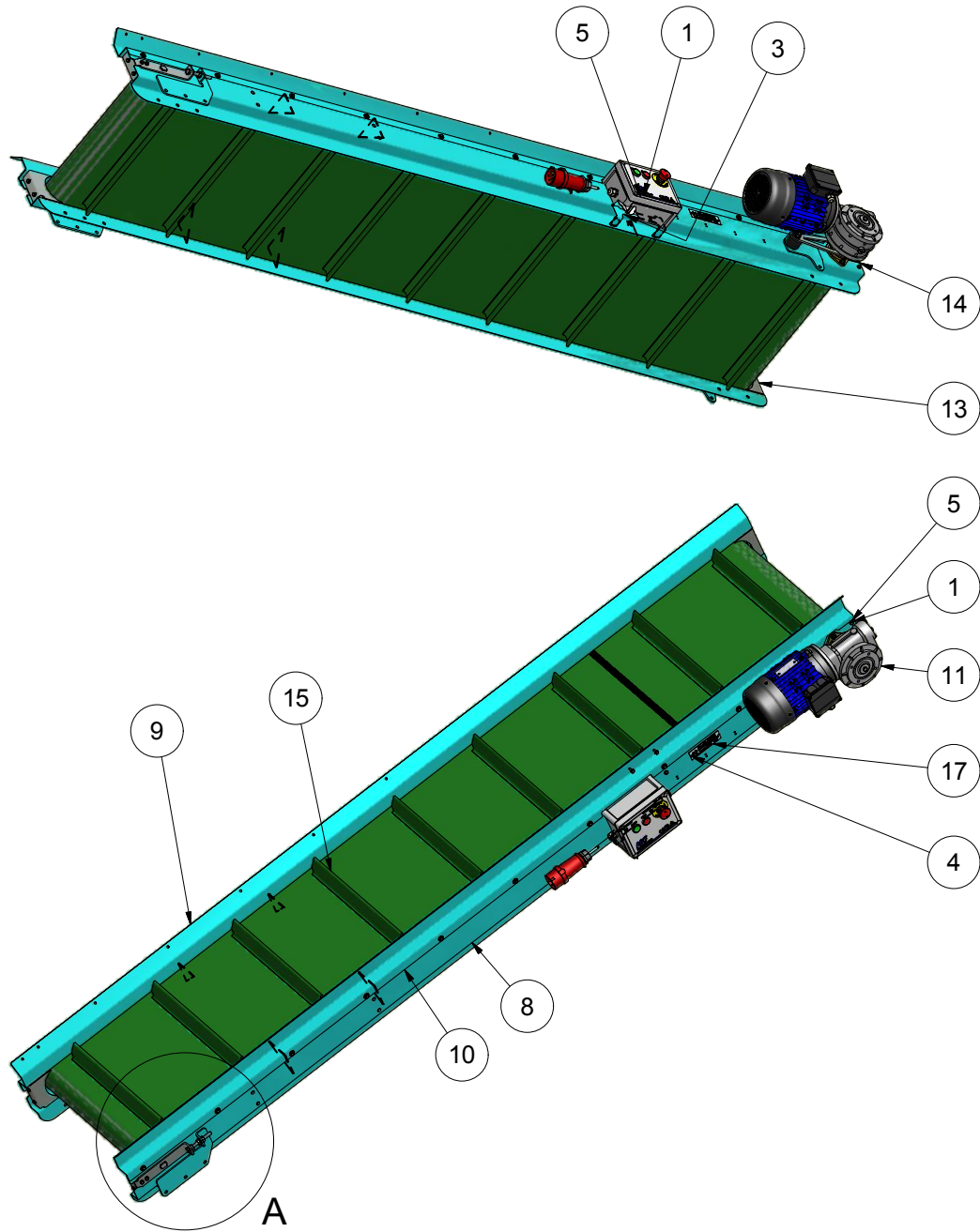
Use the bottom holes for machineshoes and the top holes for wheels



Break all edges

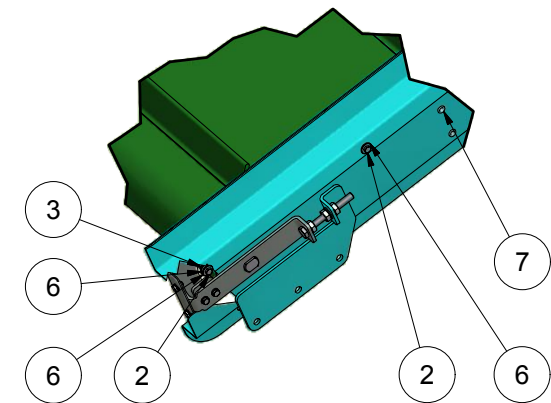
| | | | | |
|--|------------------------------------|-----------------|---|----------------|
| <small>Alle Rechte vorbehalten. Nachdruck, Vervielfältigung und Verbreitung, auch auszugsweise, ist ohne schriftliche Genehmigung der HEDENSTED GRUPPEN A/S.</small> HEDENSTED GRUPPEN A/S | HG | Scale: 0,06 : 1 | Not specified tolerance according to: DS/ISO 2768-m | Sheet size: A3 |
| | <small>HEDENSTED GRUPPEN</small> | | Surface properties: No | Sheet: 1 / 1 |
| | Part No.: 204308 | Material: | | |
| | Description 1: Conveyor 600x2800mm | | | |
| Description 2: Incl. undercarriage, Ex.wheels | | | | |

| Revision: | Approved | Date: | Revision Description |
|-----------|----------|------------|-----------------------------|
| 1 | HG | 28-09-2015 | Revision changed to numeric |



| PARTS LIST | | | |
|------------|-----|-------------|----------------------------------|
| ITEM | QTY | PART NUMBER | DESCRIPTION |
| 1 | 8 | 11406016 | Hexagon bolt M6x16 FZB |
| 2 | 20 | 11406020 | Hexagon bolt M6x20 FZB |
| 3 | 6 | 17906000 | Self-locking nut M6 FZB |
| 4 | 2 | 7003206 | Blind rivet Ø3,2x6 (2,5-3,5) |
| 5 | 8 | 82106000 | Washer M6 FZB |
| 6 | 22 | 82606000 | Washer Ø6,4x18x1,6 FZB |
| 7 | 26 | 9306014 | Blindnut rivet M6x14,5 (0,5-2,3) |
| 8 | 1 | M100563 | Body for conveyor |
| 9 | 1 | M100565 | Sideplate left |
| 10 | 1 | M100566 | Sideplate right |
| 11 | 1 | M100568 | Drive roll assembly |
| 12 | 1 | M100579 | Turn roll assembly |
| 13 | 1 | M100582 | Cover front - left side |
| 14 | 1 | M100583 | Cover front - Right side |
| 15 | 1 | M100584 | Conveyor belt 2790x600 |
| 16 | 1 | M100593 | Controlebox for conveyor |
| 17 | 1 | M100928 | Id plate for Conveyor 600x2800 |

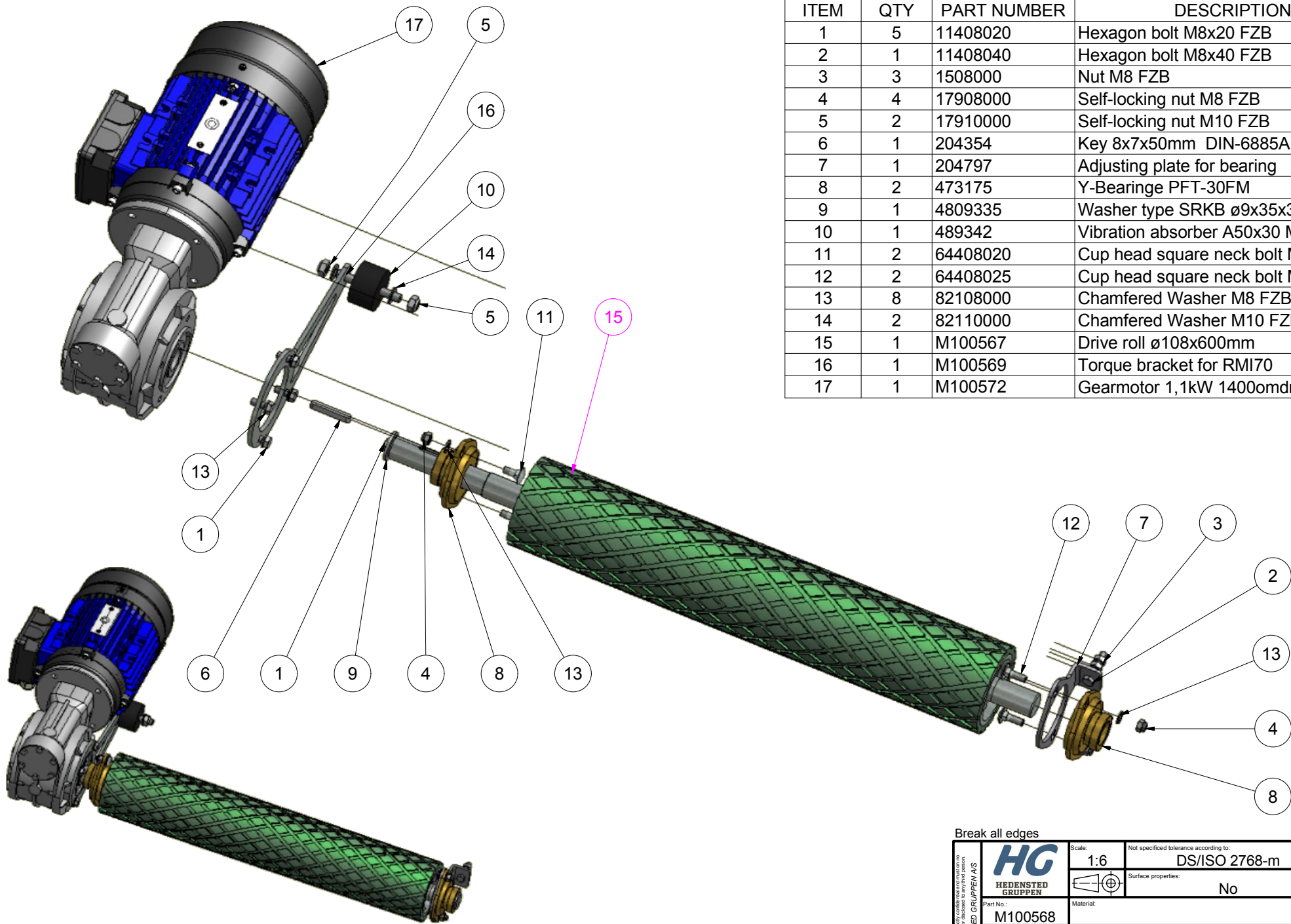
A (1 : 8)



Break all edges

| | | | | |
|--|----------------------------------|---------------------|---------------------------------------|-------------|
| The information on this drawing is the property of HEDENSTED GRUPPEN A/S. It is not to be copied or disclosed to any third person. | HEDENSTED GRUPPEN | Scale: | Not specified tolerance according to: | Sheet size: |
| | | 1 : 16 | DS/ISO 2768-m | A3 |
| | | Surface properties: | | Sheet: |
| | | No | | 1 / 1 |
| Part No.: | | Material: | | |
| M100564 | | | | |
| Description 1: | | | | |
| Assembly conveyor | | | | |
| Description 2: | | | | |

| Revision: | Approved | Date: | Revision Description |
|-----------|----------|------------|-----------------------------|
| 1 | HG | 28-09-2015 | Revision changed to numeric |



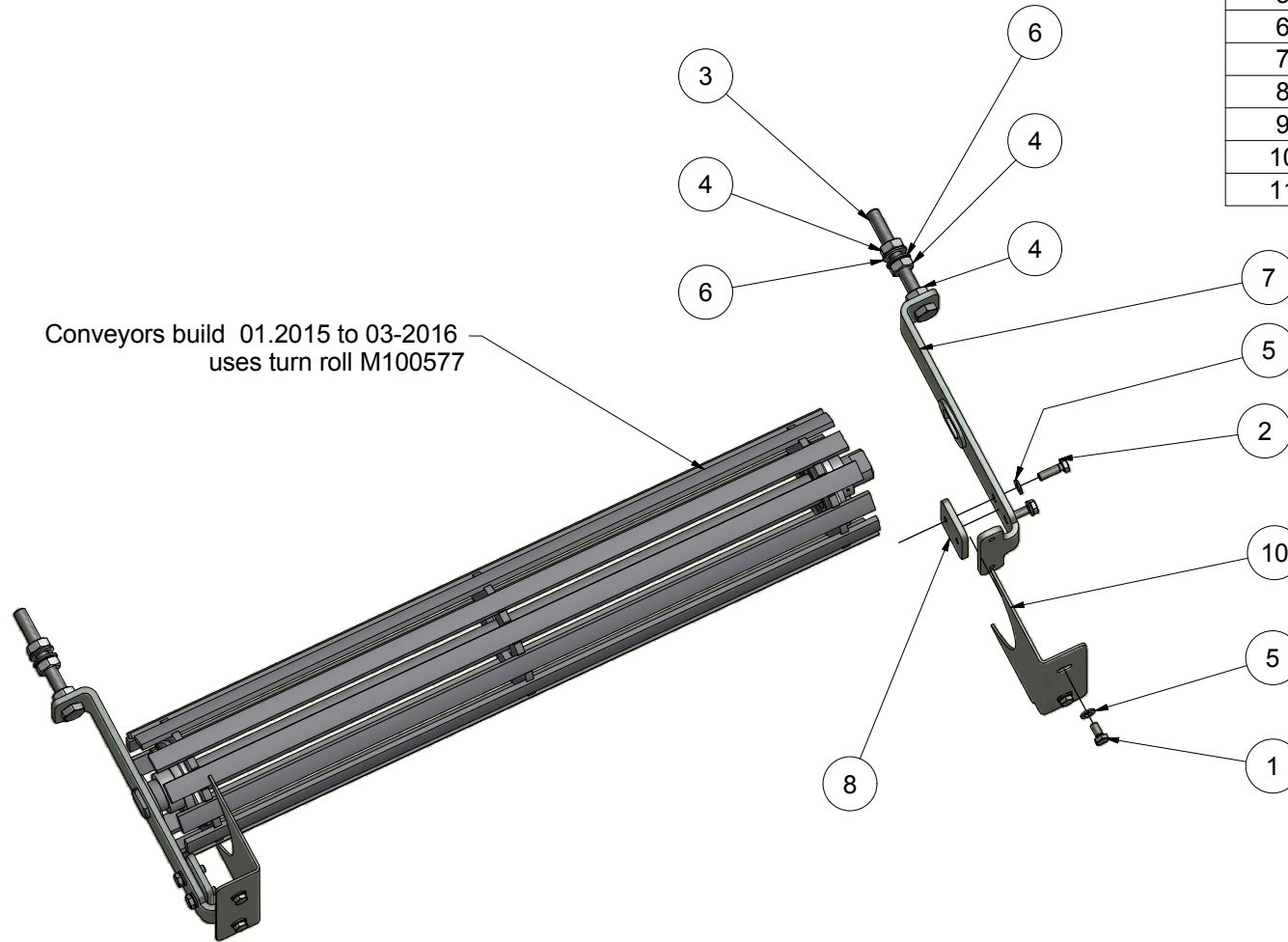
| PARTS LIST | | | |
|------------|-----|-------------|-------------------------------------|
| ITEM | QTY | PART NUMBER | DESCRIPTION |
| 1 | 5 | 11408020 | Hexagon bolt M8x20 FZB |
| 2 | 1 | 11408040 | Hexagon bolt M8x40 FZB |
| 3 | 3 | 1508000 | Nut M8 FZB |
| 4 | 4 | 17908000 | Self-locking nut M8 FZB |
| 5 | 2 | 17910000 | Self-locking nut M10 FZB |
| 6 | 1 | 204354 | Key 8x7x50mm DIN-6885A |
| 7 | 1 | 204797 | Adjusting plate for bearing |
| 8 | 2 | 473175 | Y-Bearinge PFT-30FM |
| 9 | 1 | 4809335 | Washer type SRKB ø9x35x3 |
| 10 | 1 | 489342 | Vibration absorber A50x30 M10 |
| 11 | 2 | 64408020 | Cup head square neck bolt M8x20 FZB |
| 12 | 2 | 64408025 | Cup head square neck bolt M8x25 FZB |
| 13 | 8 | 82108000 | Chamfered Washer M8 FZB |
| 14 | 2 | 82110000 | Chamfered Washer M10 FZB |
| 15 | 1 | M100567 | Drive roll ø108x600mm |
| 16 | 1 | M100569 | Torque bracket for RMI70 |
| 17 | 1 | M100572 | Gearmotor 1,1kW 1400omdr. |

Break all edges

| | | | | |
|---|------------------------------------|------------|---|----------------|
| This drawing is the property of HEDENSTED GRUPPEN A/S. It is not to be copied, disseminated, or used for any third parties. | HEDENSTED GRUPPEN A/S | Scale: 1:6 | Not specified tolerance according to: DS/ISO 2768-m | Sheet size: A3 |
| | Part No.: M100568 | | Surface properties: No | Sheet: 1/1 |
| | Description 1: Drive roll assembly | | | |
| | Description 2: | | | |

| Revision: | Approved | Date: | Revision Description |
|-----------|----------|------------|-----------------------------|
| 1 | HG | 28-09-2015 | Revision changed to numeric |

| PARTS LIST | | | |
|------------|-----|-------------|--|
| ITEM | QTY | PART NUMBER | DESCRIPTION |
| 1 | 4 | 11406012 | Hexagon bolt M6x12 FZB |
| 2 | 4 | 11406020 | Hexagon bolt M6x20 FZB |
| 3 | 2 | 11410090 | Hexagon bolt M10x90 FZB |
| 4 | 6 | 1510000 | Nut M10 FZB |
| 5 | 8 | 82106000 | Washer M6 FZB |
| 6 | 6 | 82110000 | Washer M10 FZB |
| 7 | 2 | M100576 | Tension bracket complete |
| 8 | 2 | M100578 | Rear clamping plate |
| 9 | 1 | M100580 | Cover rear - left side |
| 10 | 1 | M100581 | Cover rear - right side |
| 11 | 1 | M102036 | Turn roll \varnothing 108x600 assembly |

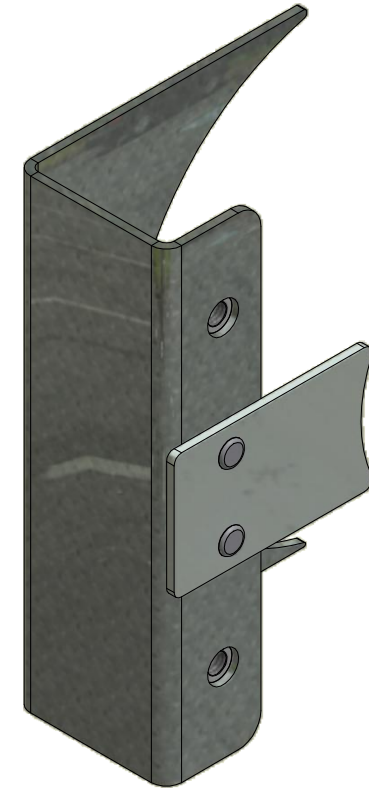
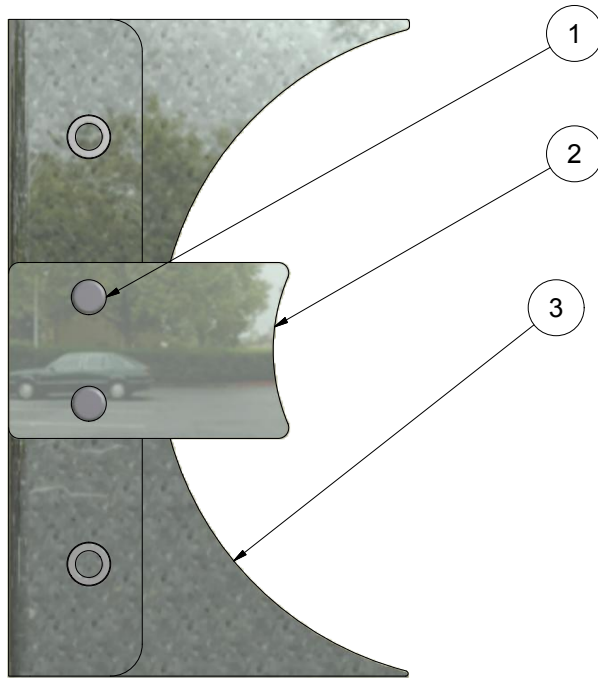


Break all edges


| | | | | |
|--|--|---------------------|---------------------------------------|-------------|
| This drawing is the property of HEDENSTED GRUPPEN AS. It is not to be copied, reproduced, or disseminated to any third person. | | Scale: | Not specified tolerance according to: | Sheet size: |
| | | 1 : 4 | DS/ISO 2768-m | A3 |
| | | Surface properties: | | Sheet: |
| | | No | | 1 / 1 |
| Part No.: | | Material: | | |
| M100579 | | | | |
| Description 1: | | | | |
| Turn roll assembly | | | | |
| Description 2: | | | | |

| Revision: | Approved | Date: | Revision Description |
|-----------|----------|------------|---------------------------------|
| 1 | KL | 03-05-2016 | Turn roll changed to open model |

| PARTS LIST | | | |
|------------|-----|-------------|---------------------------|
| ITEM | QTY | PART NUMBER | DESCRIPTION |
| 1 | 2 | 7003208 | Pop rivet ø3.2x8mm |
| 2 | 1 | M10760 | Cover front part 3 |
| 3 | 1 | M10762 | Front cover part 2 welded |

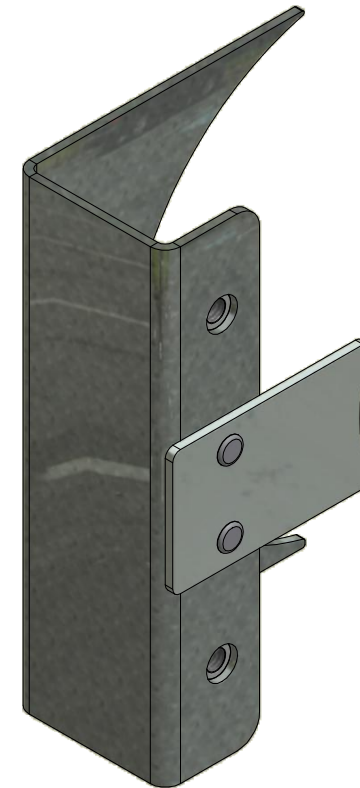
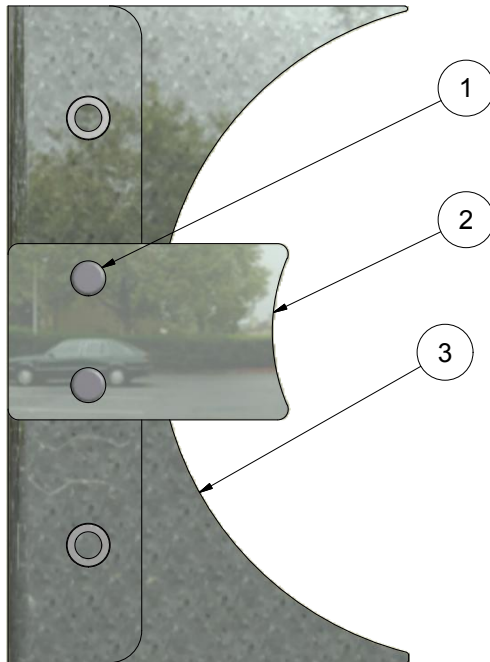


Break all edges

| | | | | |
|--|---|--------------|---|----------------|
| <small>Alle Rechte vorbehalten. Nachdruck, Vervielfältigung und Verbreitung, auch auszugsweise, ist ohne schriftliche Genehmigung der HEDENSTED GRUPPEN A/S.</small> HEDENSTED GRUPPEN A/S |  HEDENSTED GRUPPEN | Scale: 1 : 1 | Not specified tolerance according to: DS/ISO 2768-m | Sheet size: A3 |
| | Part No.: M100582 | Material: | Surface properties: No | Sheet: 1/1 |
| | Description 1: Cover front - left side | | | |
| | Description 2: | | | |

| Revision: | Approved | Date: | Revision Description |
|-----------|----------|------------|-----------------------------|
| 1 | HG | 28-09-2015 | Revision changed to numeric |

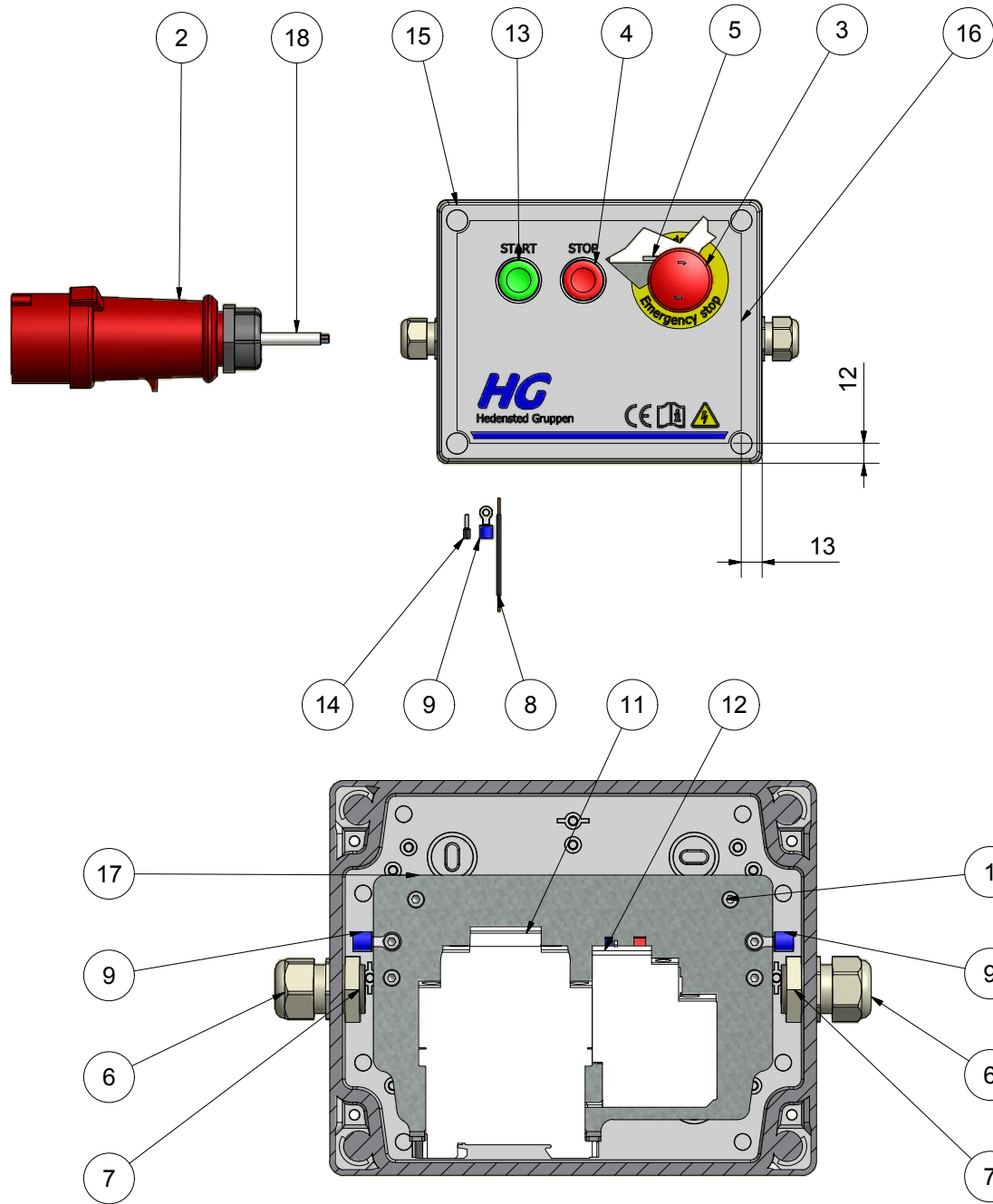
| PARTS LIST | | | |
|------------|-----|-------------|---------------------------|
| ITEM | QTY | PART NUMBER | DESCRIPTION |
| 1 | 2 | 7003208 | Pop rivet ø3.2x8mm |
| 2 | 1 | M10760 | Cover front part 3 |
| 3 | 1 | M10761 | Front cover part 1 welded |



Break all edges

| | | | |
|---|--------------------------|---------------------------------------|-------------|
| HG HEDENSTED GRUPPEN HEDENSTED GRUPPEN A/S | Scale: | Not specified tolerance according to: | Sheet size: |
| | 1 : 1 | DS/ISO 2768-m | A3 |
| | Surface properties: | No | Sheet: |
| | | | 1 / 1 |
| Part No.: | Material: | | |
| M100583 | | | |
| Description 1: | Cover front - Right side | | |
| Description 2: | | | |

| Revision: | Approved | Date: | Revision Description |
|-----------|----------|------------|-----------------------------|
| 1 | HG | 28-09-2015 | Revision changed to numeric |



| PARTS LIST | | | |
|------------|-------|-------------|--|
| ITEM | QTY | PART NUMBER | DESCRIPTION |
| 1 | 6 | 10204010 | Hexagon cylinder head M4x10 FZB |
| 2 | 1 | 50171 | CEE Plug male 5P/16A/400V Phase inverter |
| 3 | 1 | 600100 | Push button Emergency stop |
| 4 | 1 | 600345 | Push button red 1NC XB4BA42 |
| 5 | 1 | 600375 | Switch block ZB4BZ104 2NC |
| 6 | 2 | 600455 | Cabel gland M20 Ø5-12 |
| 7 | 2 | 600475 | Cable gland nut polyamid M20 |
| 8 | 4,0 m | 600500 | Wire H07V2-K 1x1,5mm ² Black |
| 9 | 6 | 600625 | Cable shoe 0,5-1,5mm ² x Ø4 Red isolation |
| 10 | 33 | 600685 | Label Panduit for Laser |
| 11 | 1 | 600738 | Contactur LC1D09V7 9A 400VAC |
| 12 | 1 | 600745 | Motor protection LRD08 2,5-4A |
| 13 | 1 | 600788 | Push button green 1NO XB4BA31 |
| 14 | 25 | 601075 | Pin 1,5mm ² Black isolation (on strip) |
| 15 | 1 | M100937 | Box ABS plastic 201x163x98mm |
| 16 | 1 | M100938 | Label for conveyor |
| 17 | 1 | M100940 | Mountingplate for box |
| 18 | 5,0 m | M102060 | Cable JZ 4x1,5mm ² PVC |

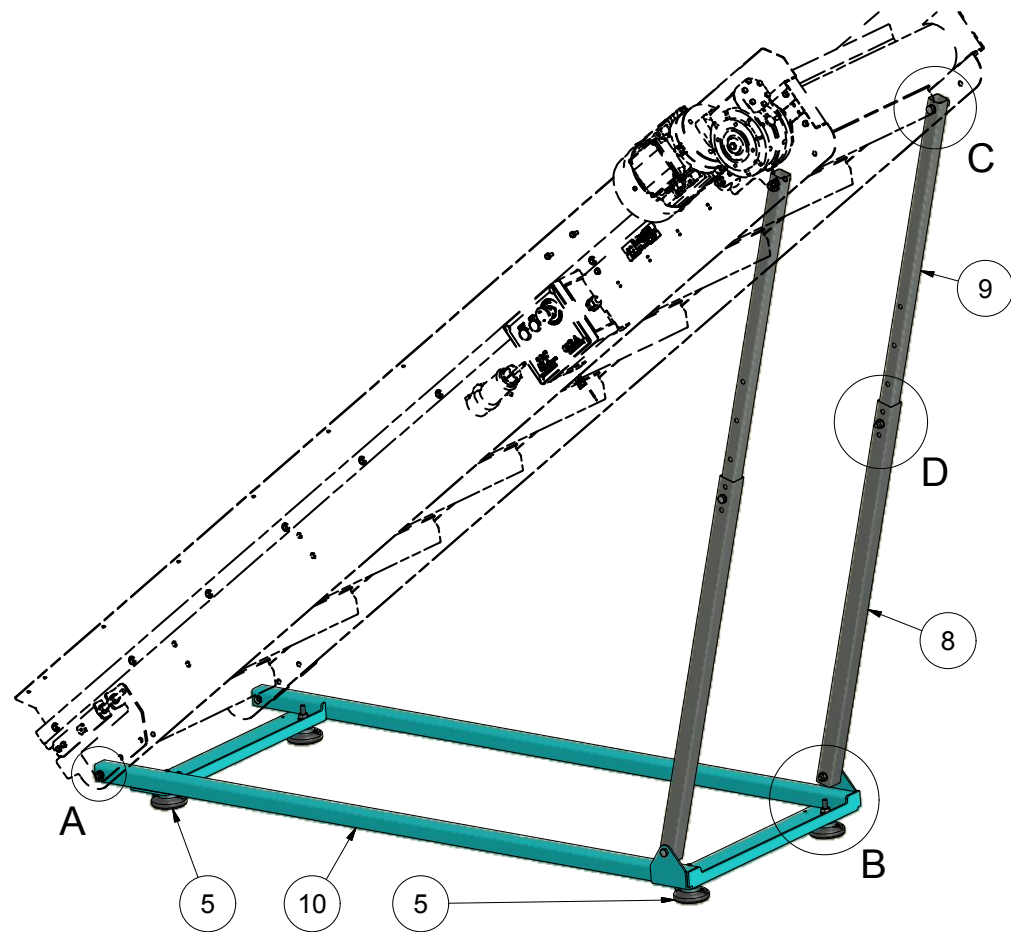
Break all edges

| | | | | |
|---|--|----------------------|--|-------------------|
| This drawing is the property of HEDENSTED GRUPPEN A/S. It is not to be copied, reproduced, or disseminated to any third person. | | Scale: 1 : 3 | Not specified tolerance according to: DS/ISO 2768-m | Sheet size: A3 |
| | Part No.: M100593 | Material: Default | Surface properties: | Sheet: 1/1 |
| | Description 1: Controlebox for conveyor | | | |
| | Description 2: 600x2800mm | | | |

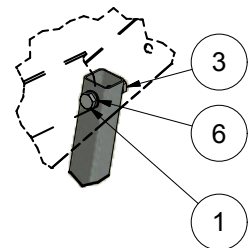
| Revision: | Approved | Date: | Revision Description |
|-----------|----------|------------|-----------------------------|
| 1 | HG | 28-09-2015 | Revision changed to numeric |

PARTS LIST

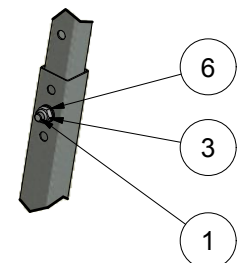
| ITEM | QTY | PART NUMBER | DESCRIPTION |
|------|-----|-------------|---------------------------|
| 1 | 8 | 11410060 | Hexagon bolt M10x60 FZB |
| 2 | 5 | 1512000 | Nut M12 FZB |
| 3 | 8 | 17910000 | Self-locking nut M10 FZB |
| 5 | 4 | 197350 | Machine base M75-12-070 |
| 6 | 14 | 82110000 | Chamfered Washer M10 FZB |
| 7 | 4 | 82112000 | Chamfered Washer M12 FZB |
| 8 | 2 | M100586 | Outer vertical leg |
| 9 | 2 | M100587 | Inner vertical leg |
| 10 | 1 | M100588 | Bottom frame for conveyor |



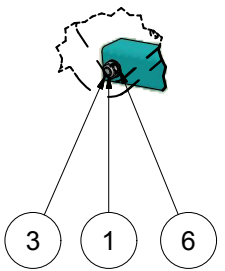
C (1:6)



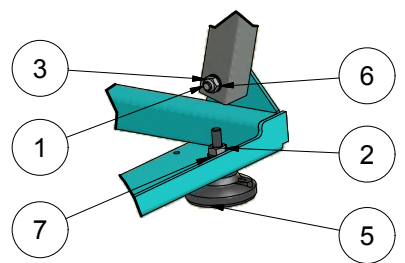
D (1:6)



A (1:6)



B (1:6)

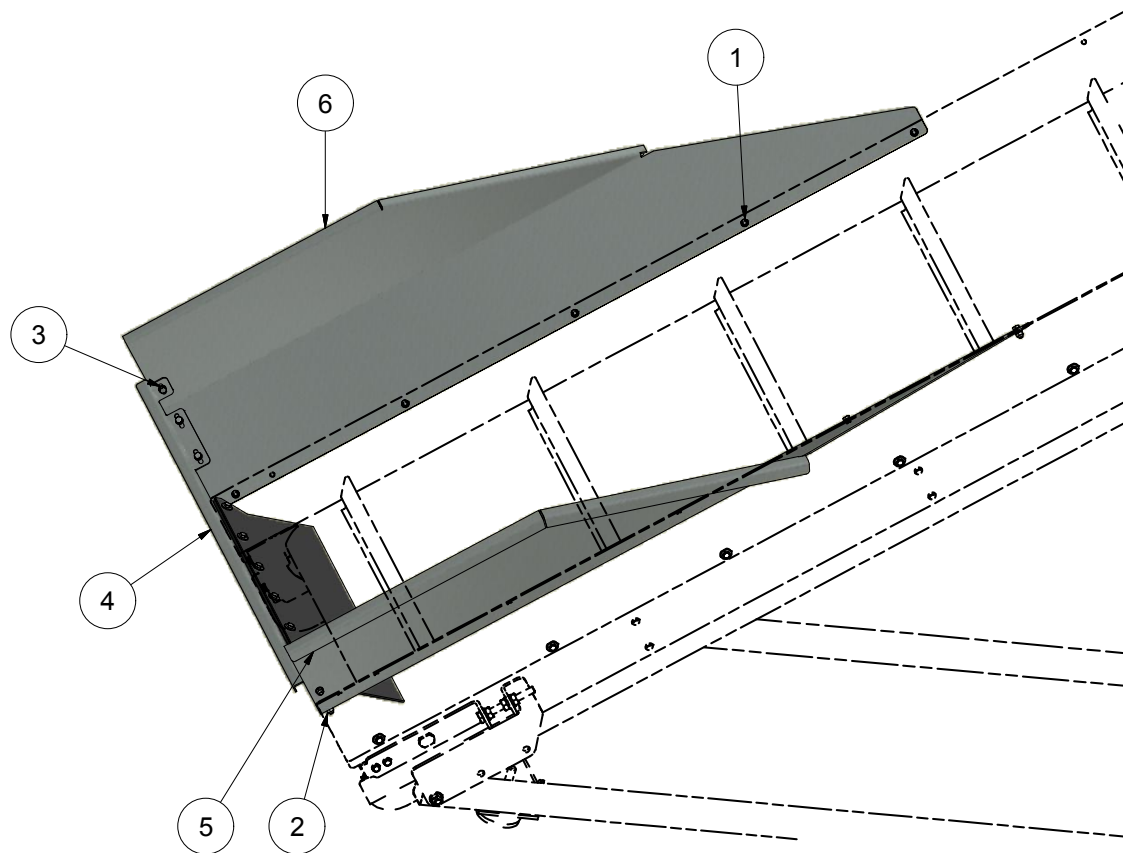


| Revision: | Approved | Date: | Revision Description |
|-----------|----------|------------|-----------------------------|
| 1 | HG | 28-09-2015 | Revision changed to numeric |


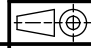
Break all edges

| | | | |
|-----------------------|-----------|---------------------------------------|-------------|
| | Scale: | Not specified tolerance according to: | Sheet size: |
| | 1:12 | DS/ISO 2768-m | A3 |
| | | Surface properties: | Sheet: |
| Part No.: | Material: | | 1/1 |
| M100589 | | | |
| Description 1: | | | |
| Bottom frame assembly | | | |
| Description 2: | | | |

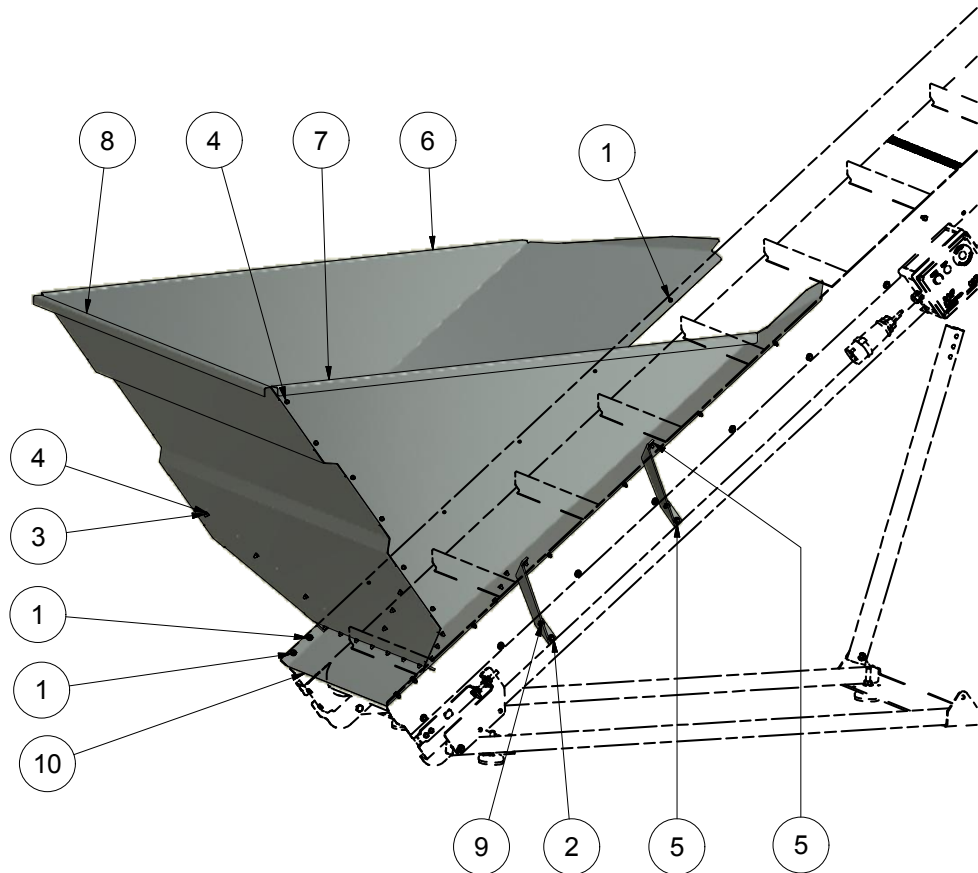
| PARTS LIST | | | |
|------------|-----|-------------|-----------------------------|
| ITEM | QTY | PART NUMBER | DESCRIPTION |
| 1 | 16 | 11406016 | Hexagon bolt M6x16 FZB |
| 2 | 16 | 17906000 | Self-locking nut M6 FZB |
| 3 | 32 | 82106000 | Washer M6 FZB |
| 4 | 1 | M100599 | Rear plate for hydra funnel |
| 5 | 1 | M100600 | Right side for hydra funnel |
| 6 | 1 | M100601 | Left side for hydra funnel |



Break all edges

| | | | | |
|--|---|------------------------|---|----------------|
| The information on this drawing is confidential and intended for internal use only. It is not to be copied or disclosed to any third person. HEDENSTED GRUPPEN A/S |  | Scale: 0,12 : 1 | Not specified tolerance according to: DS/ISO 2768-m | Sheet size: A3 |
| |  | Surface properties: No | Sheet: 1 / 1 | |
| | Part No.: M100602 | Material: | | |
| | Description 1: Funnel for hydra combi | | | |
| Description 2: Conveyor 600x2800mm | | | | |

| Revision: | Approved | Date: | Revision Description |
|-----------|----------|------------|-----------------------------|
| 1 | HG | 28-09-2015 | Revision changed to numeric |

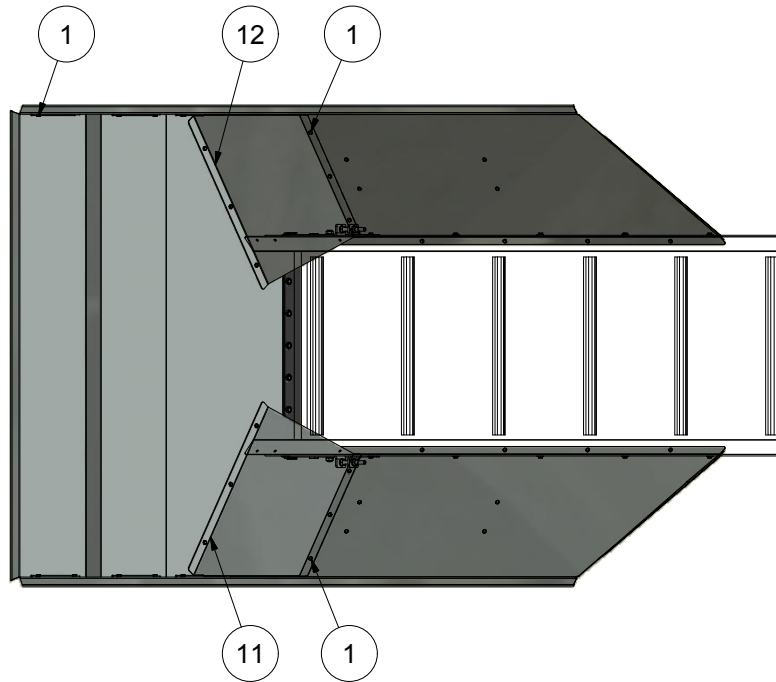


| PARTS LIST | | | |
|------------|-----|-------------|---------------------------------|
| ITEM | QTY | PART NUMBER | DESCRIPTION |
| 1 | 43 | 11406016 | Hexagon bolt M6x16 FZB |
| 2 | 16 | 11406020 | Hexagon bolt M6x20 FZB |
| 3 | 51 | 17906000 | Self-locking nut M6 FZB |
| 4 | 43 | 82106000 | Washer M6 FZB |
| 5 | 20 | 82606000 | Washer Ø6,4x18x1,6 FZB |
| 6 | 1 | M100591 | Left side for container funnel |
| 7 | 1 | M100592 | Right side for container funnel |
| 8 | 1 | M100597 | Rear for funnel |
| 9 | 4 | M100933 | Reinforcement for funnel |
| 10 | 1 | M100934 | End cover for conveyor |
| 11 | 1 | M100935 | Side panel for funnel |
| 12 | 1 | M100936 | Side palen for funnel |



Break all edges

| | | | |
|--------------------------------|---------------------|---------------------------------------|-------------|
| HG HEDENSTED GRUPPEN A/S | Scale: | Not specified tolerance according to: | Sheet size: |
| | 1:15 | DS/ISO 2768-m | A3 |
| | Surface properties: | | Sheet: |
| | No | | 1/2 |
| Part No.: | Material: | | |
| M100596 | | | |
| Description 1: | | | |
| Funnel for plastic container | | | |
| Description 2: | | | |

| Revision: | Approved | Date: | Revision Description |
|-----------|----------|------------|-----------------------------|
| 1 | HG | 28-09-2015 | Revision changed to numeric |



Break all edges

| | | | | | | |
|--|---|-----------|---|---------------------------------------|-------------|--------|
| This drawing is the property of HEDENSTED GRUPPEN AS. It is not to be copied or disclosed to any third person. |  HEDENSTED GRUPPEN | | Scale: | Not specified tolerance according to: | Sheet size: | |
| | | | 1:15 | DS/ISO 2768-m | A3 | |
| | | |  | Surface properties: | No | Sheet: |
| | | | | | | 2 / 2 |
| Part No.: | | Material: | | | | |
| M100596 | | | | | | |
| Description 1: | | | | | | |
| Funnel for plastic container | | | | | | |
| Description 2: | | | | | | |

| Revision: | Approved | Date: | Revision Description |
|-----------|----------|------------|-----------------------------|
| 1 | HG | 28-09-2015 | Revision changed to numeric |

Customer: Hedensted Gruppen A/S

Project: HG Conveyor 2015-01 600x2800mm

Hedensted Gruppen A/S
Vejlevej 15a
DK-8722 Hedensted
TLF: 75 89 12 44
FAX: 75 89 11 80



Ormhøjgårdvej 15
DK-8700 Horsens Tlf. 75641899

| | | |
|---|----------|------------------|
| Project title: HG Conveyor 2015-01 600x2800mm | | Filename: 150206 |
| Customer: Hedensted Gruppen A/S | | Case no.: 150206 |
| Last printed: 25-03-2015 | 07:42:14 | |
| Last checked: 06-02-2015 10:59:58 | | Page: A of 10 |

Index

| | |
|-------------------------------------|-----------|
| Information | C |
| 03-02-2015 12:39:54 | |
| Declaration of incorporation | D |
| 03-02-2015 12:39:58 | |
| Main Circuit | 1 |
| 03-02-2015 13:47:42 | |
| | 2 |
| 03-02-2015 12:40:58 | |
| Cable list | 10 |
| 03-02-2015 13:43:50 | |
| Part list | 11 |
| 03-02-2015 13:43:58 | |

VS AUTOMATIC

Ormhøjgårdvej 15
DK-8700 Horsens Tlf. 75641899

Project title: HG Conveyor 2015-01 600x2800mm

Customer: Hedensted Gruppen A/S

Filename: 150206

Last printed: 25-03-2015

07:42:14

Case no.: 150206

Last checked: 03-02-2015 13:47:48

Page: B

of 10

Information

WIRE IDENTIFICATION:

The wire is identified with the terminal number of the component.

WIRE COLOUR:

MAIN CIRCUIT: Phase Black
 Neutral Light blue

DC CONTROL CIRCUIT: 24VDC Dark blue
 0VDC White

THE FOLLOWING COLOUR ID IS TAKEN FROM DS/EN 60757

BK BLACK
BN BROWN
RD RD
OG ORANGE
YE YELLOW
GN GREEN
BU BLUE
VT VIOLET
GY GREY
WH WHITE
PK PINK

ALL SYMBOLS USED IS TAKEN FROM DS/EN 166

VS AUTOMATIC

Ormhøjgårdvej 15
DK-8700 Horsens Tlf. 75641899

Project: HG Conveyor 2015-01 600x2800mm

Customer: Hedensted Gruppen A/S

Last printed: 25-03-2015

07:42:14

Last checked: 03-02-2015 12:39:54

Case no.: 150206

Filename: 150206

Page: C

of 6

DECLARATION OF INCORPORATION

Directive 2006/42/EF, Annex II, B

Manufacturer

Firm: VS AUTOMATIC A/S
Address: Ormhøjgårdvej 15
DK-8700 Horsens
Phone: +45 75 64 18 99
Fax: +45 75 64 18 09
Email: info@vs-automatic.dk

Herewith declares that

Component: Controlpanel
Type: 150206
Year of manufator: 2015

is intended to be incorporated into machinery or to be assembled with other machinery to constitute machinery covered by Directive 2006/42/EC

does therefor not in every respect comply with the provisions of this directive
does comply with the provisions of the following other EC directives

EC directives

EC machine directive 89/392/EEC, as per 91/386/EEC, 93/68/EEC, 93/44/EEC

EC low-voltage directives 73/23/EEC, as per 93/68/EEC, 93/465/EEC

EC EMC directive 89/336/EEC as per 92/31/EEC, 93/68/EEC, 93/465/EEC

Harmonized standards

EN60204-1 Safety of Machinery Electrical Equipment of Machines

EN60439-1 Low-voltage switchgear and controlgear assemblies part 1: Type-tested and partially type-tested assemblies

And furthermore declares that it is not allowed to put the machinery into service until the machinery into which it is to be incorporated or of which it is to be a component has been found and declared to be in conformity with the provisions of Directive 98/37/EC and with national implementation legislation i.e. as a whole, including the machinery referred to in this declaration

Machine: HG Conveyor 2015-01 600x2800mm
Machine No.: 204308
Type: Year of manufacturer: 2015
Manufacturer: Hedensted Gruppen A/S

Identification of signature:

Firm: VS AUTOMATIC A/S
Address: Ormhøjgårdvej 15
DK-8700 Horsens

Date: Signature

25-03-2015

Torben Steffensen

VS AUTOMATIC

Tlf. 75 64 18 99 - vs-automatic.dk
En del af TS-GRUPPEN - Danmarks stærkeste El & Energi installerer

Type: Hedensted Gruppen A/S

Project: HG Conveyor 2015-01 600x2800mm

File: 150206

Printed: 25-03-2015

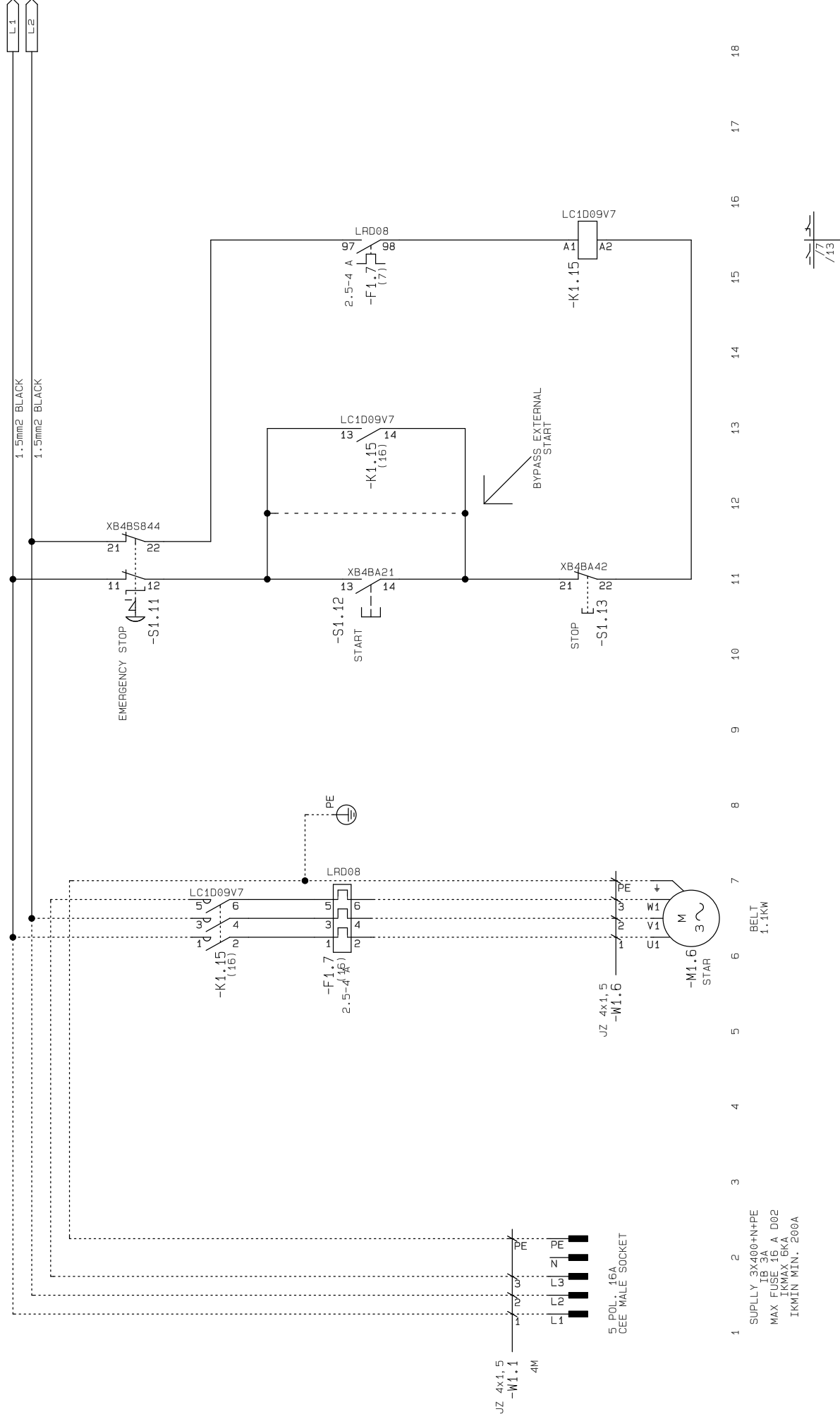
07:42:14

Case no.: 150206

Changed: 06-02-2015 10:56:18

Page: D

of 10



1 2 3 4 5 6 7 8 9 10 11 12 13 14 15 16 17 18

| | | | |
|---|--|---------------------------------|-----------------------|
| <p>VS AUTOMATIC Tlf. 75 64 18 99 - vs-automatic.dk En del af TS-GRUPPEN - Danmarks stærkeste El & Energi installerer.</p> | <p>Customer: Hedensted Gruppen A/S</p> | <p>Designer: TBT</p> | <p>Case no:150206</p> |
| | <p>Project: HG Conveyor 2015-01 600x2800mm</p> | <p>Last prt: 25-03-2015</p> | <p>Page ref.:</p> |
| | <p>Page title: Main Circuit</p> | <p>Last changed: 25-03-2015</p> | <p>Page: 1 of 10</p> |

