

HG

SPARE PARTS

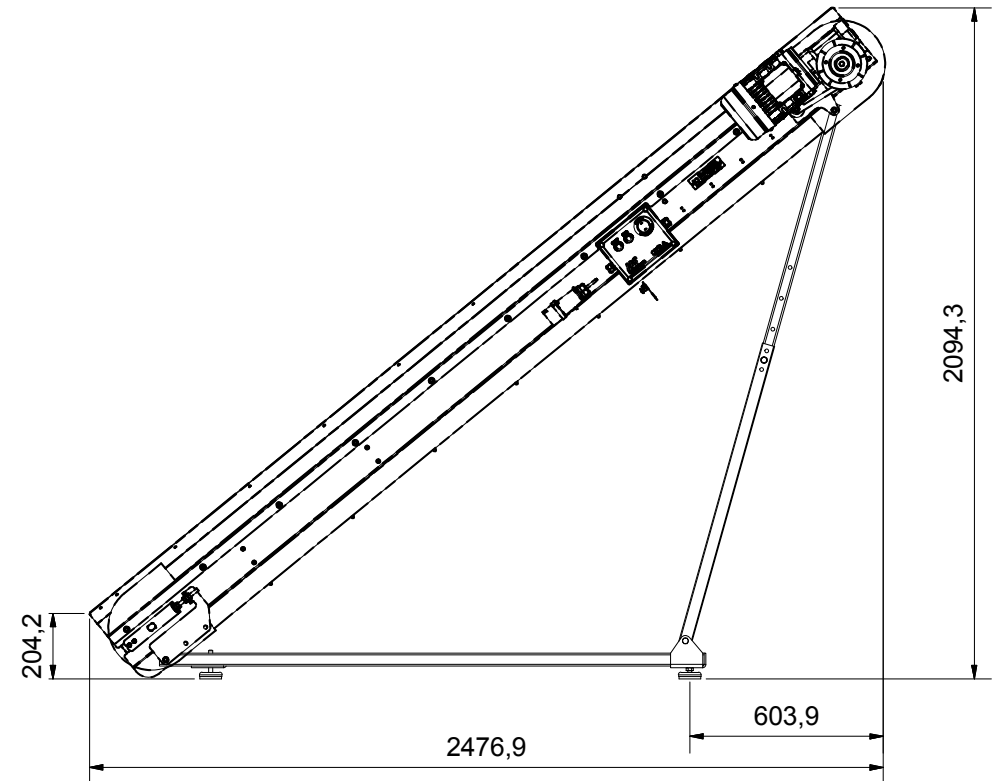
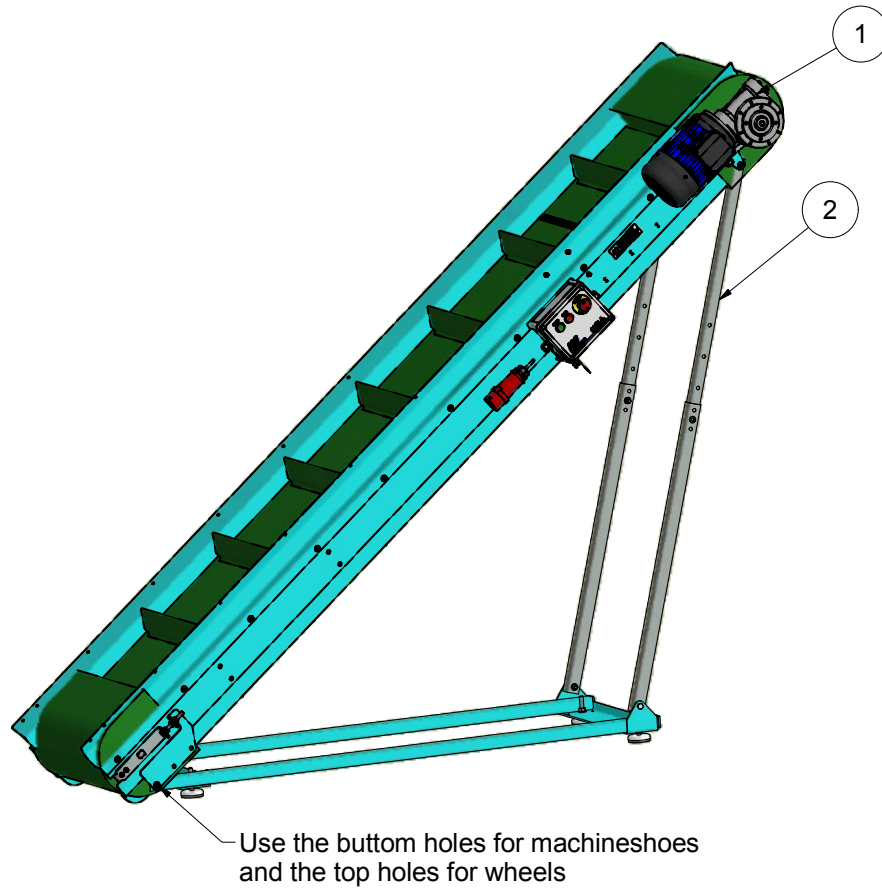


HG Conveyor 600x2800mm

1. Table of contents.

1. Table of content.
2. Spare parts.
3. Electric diagrams.

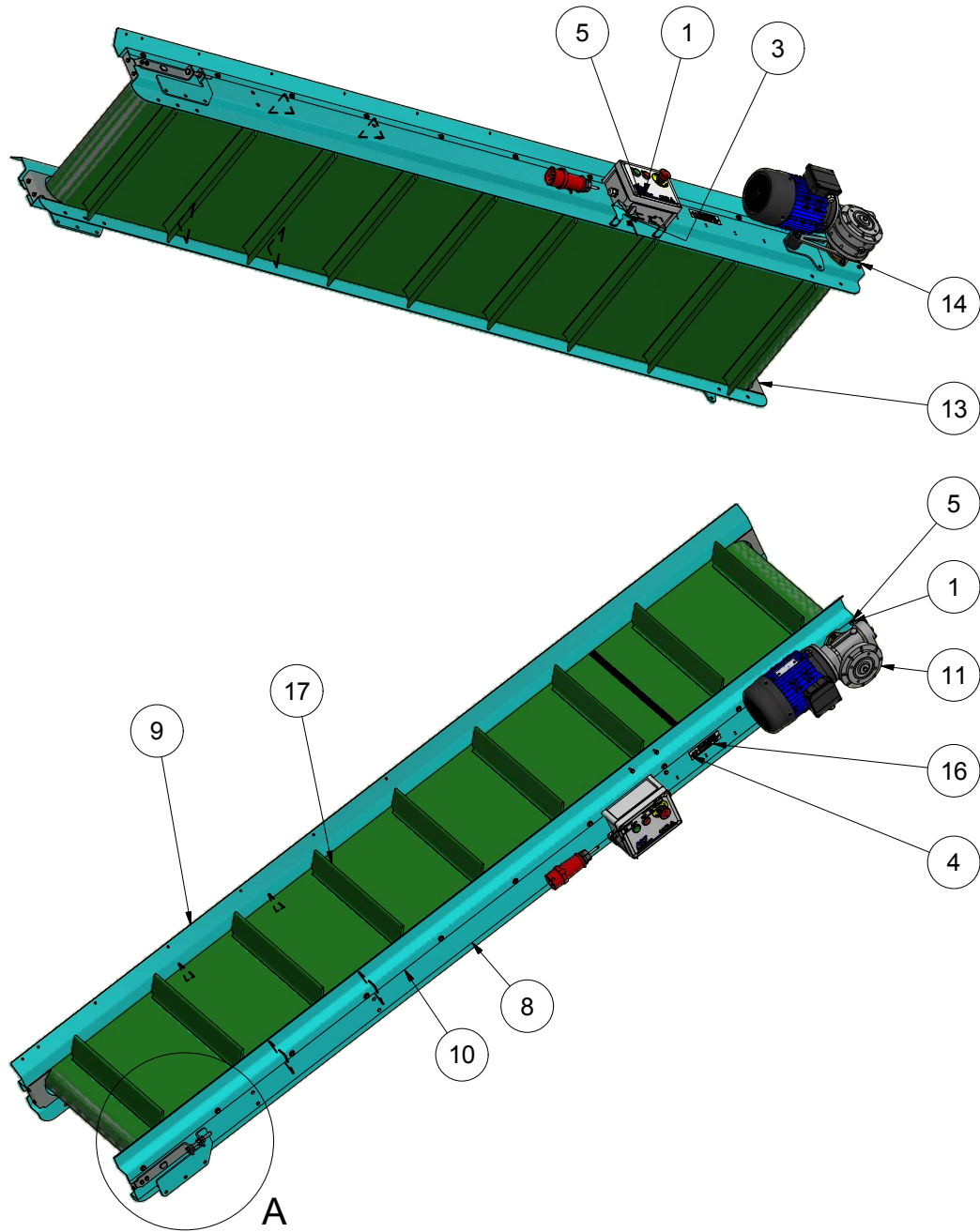
PARTS LIST			
ITEM	QTY	PART NUMBER	DESCRIPTION
1	1	M100564	Assembly conveyor
2	1	M100589	Bottom frame assembly



Break all edges

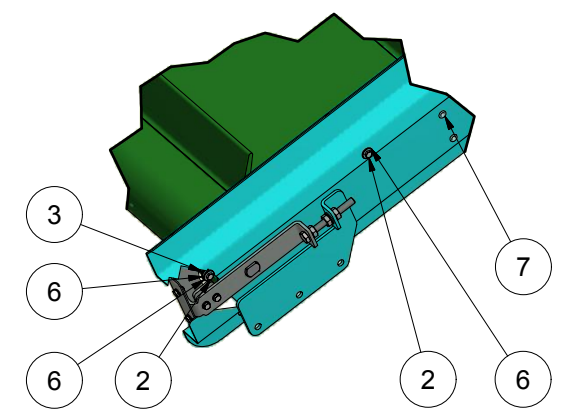
<small>Alle afmetingen zijn afgeleid van de tekening. Het is niet toegestaan deze afmetingen te kopiëren of te verspreiden. Het is niet toegestaan deze afmetingen te kopiëren of te verspreiden.</small> HEDENSTED GRUPPEN A/S	HG	Scale: 0,06 : 1	Not specified tolerance according to: DS/ISO 2768-m	Sheet size: A3
	<small>HEDENSTED GRUPPEN</small>		Surface properties: No	Sheet: 1 / 1
	Part No.: 204308	Material:		
	Description 1: Conveyor 600x2800mm			
Description 2: Incl. undercarriage, Ex.wheels				

Revision:	Approved	Date:	Revision Description
2	MBO	08-05-2017	Updated to Conveyor Belt H=80



PARTS LIST			
ITEM	QTY	PART NUMBER	DESCRIPTION
1	8	11406016	Hexagon bolt M6x16 FZB
2	20	11406020	Hexagon bolt M6x20 FZB
3	6	17906000	Self-locking nut M6 FZB
4	2	7003206	Blind rivet Ø3,2x6 (2,5-3,5)
5	8	82106000	Washer M6 FZB
6	22	82606000	Washer Ø6,4x18x1,6 FZB
7	26	9306014	Blindnut rivet M6x14,5 (0,5-2,3)
8	1	M100563	Body for conveyor
9	1	M100565	Sideplate left
10	1	M100566	Sideplate right
11	1	M100568	Drive roll assembly
12	1	M100579	Turn roll assembly
13	1	M100582	Cover front - left side
14	1	M100583	Cover front - Right side
15	1	M100593	Controlebox for conveyor
16	1	M100928	Id plate for Conveyor 600x2800
17	1	M102702	Conveyor belt 2790x600 H=80mm

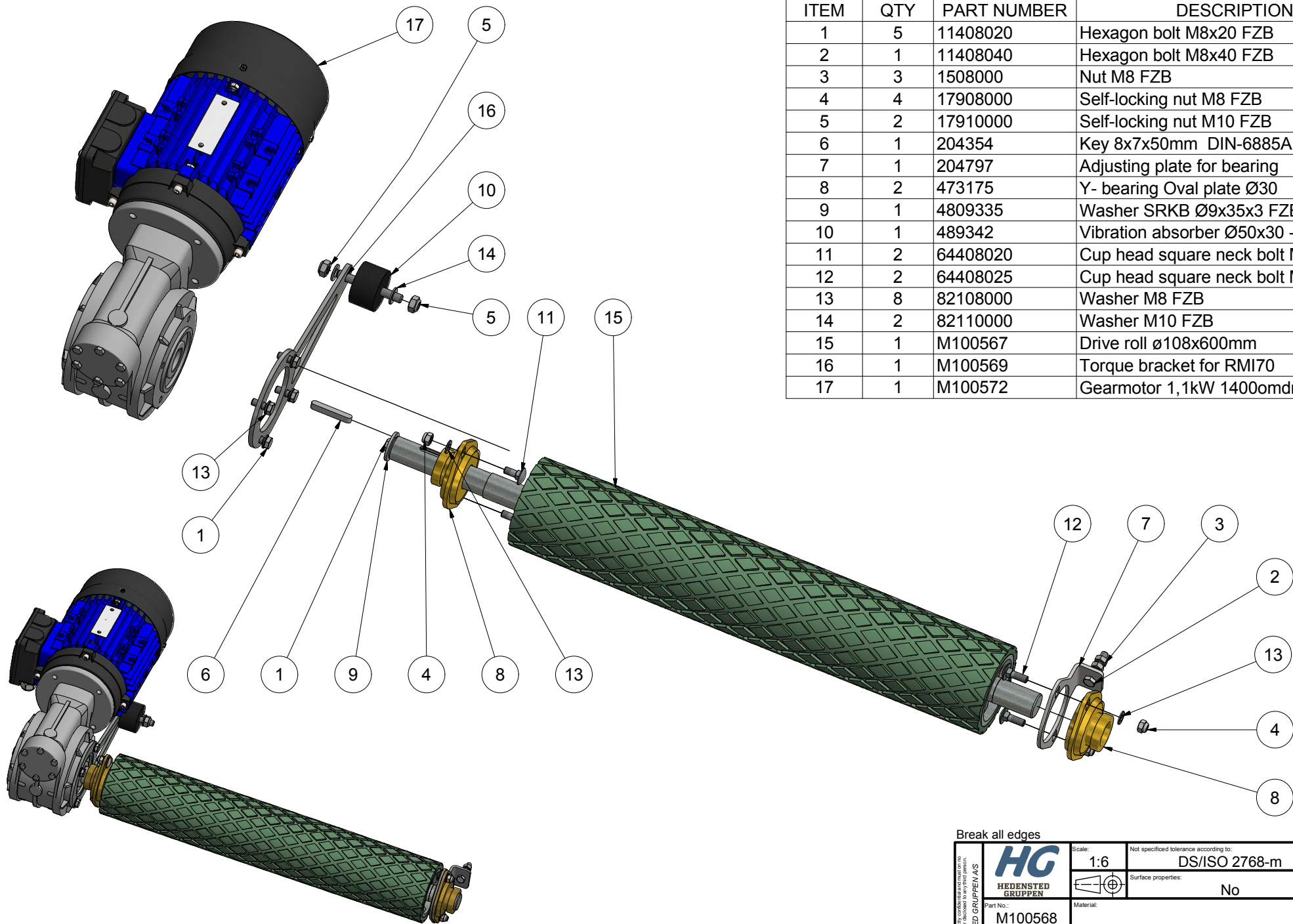
A (1 : 8)



Break all edges

This drawing is the property of HEDENSTED GRUPPEN A/S. It is not to be copied or disclosed to any third party.	 HEDENSTED GRUPPEN	Scale: 1 : 16	Not specified tolerance according to: DS/ISO 2768-m	Sheet size: A3
	Part No.: M100564	Material:	Surface properties: No	Sheet: 1 / 1
	Description 1: Assembly conveyor			
	Description 2:			

Revision:	Approved	Date:	Revision Description
2	MBO	08-05-2017	Conveyor Belt changed to H=80



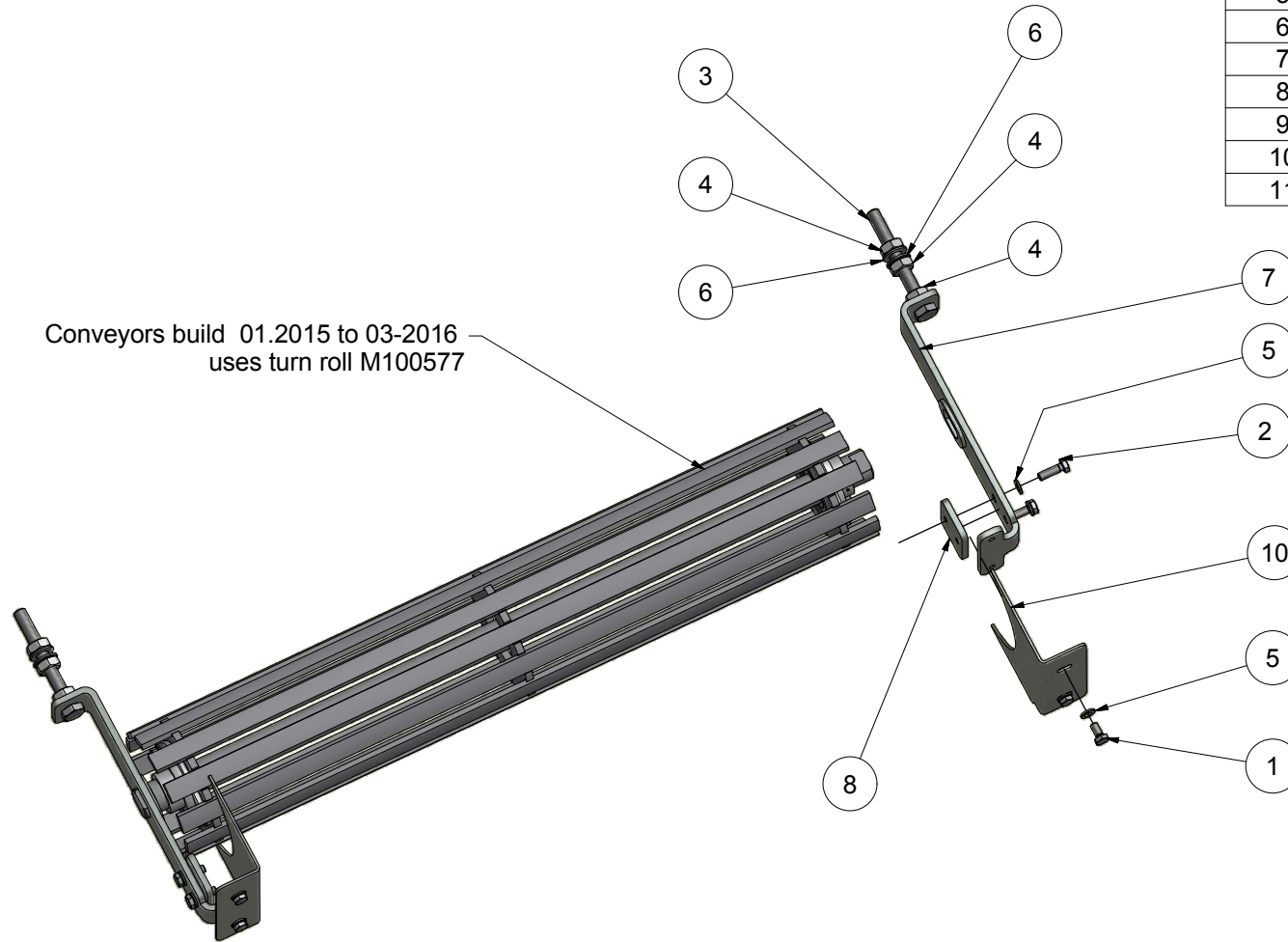
PARTS LIST			
ITEM	QTY	PART NUMBER	DESCRIPTION
1	5	11408020	Hexagon bolt M8x20 FZB
2	1	11408040	Hexagon bolt M8x40 FZB
3	3	1508000	Nut M8 FZB
4	4	17908000	Self-locking nut M8 FZB
5	2	17910000	Self-locking nut M10 FZB
6	1	204354	Key 8x7x50mm DIN-6885A
7	1	204797	Adjusting plate for bearing
8	2	473175	Y- bearing Oval plate Ø30
9	1	4809335	Washer SRKB Ø9x35x3 FZB
10	1	489342	Vibration absorber Ø50x30 - M10
11	2	64408020	Cup head square neck bolt M8x20 FZB
12	2	64408025	Cup head square neck bolt M8x25 FZB
13	8	82108000	Washer M8 FZB
14	2	82110000	Washer M10 FZB
15	1	M100567	Drive roll ø108x600mm
16	1	M100569	Torque bracket for RMI70
17	1	M100572	Gearmotor 1,1kW 1400omdr.

Break all edges

This drawing is the property of HEDENSTED GRUPPEN A/S. It is not to be copied, reproduced, disseminated or used for any other purpose without the express written permission of HEDENSTED GRUPPEN A/S.	 HEDENSTED GRUPPEN A/S	Scale: 1:6	Not specified tolerance according to: DS/ISO 2768-m	Sheet size: A3	
		Surface properties: No	Sheet: 1/1		
	Part No.: M100568	Material:			
	Description 1: Drive roll assembly	Description 2:			

Revision:	Approved	Date:	Revision Description
1	HG	28-09-2015	Revision changed to numeric

PARTS LIST			
ITEM	QTY	PART NUMBER	DESCRIPTION
1	4	11406012	Hexagon bolt M6x12 FZB
2	4	11406020	Hexagon bolt M6x20 FZB
3	2	11410090	Hexagon bolt M10x90 FZB
4	6	1510000	Nut M10 FZB
5	8	82106000	Washer M6 FZB
6	6	82110000	Washer M10 FZB
7	2	M100576	Tension bracket complete
8	2	M100578	Rear clamping plate
9	1	M100580	Cover rear - left side
10	1	M100581	Cover rear - right side
11	1	M102036	Turn roll \varnothing 108x600 assembly

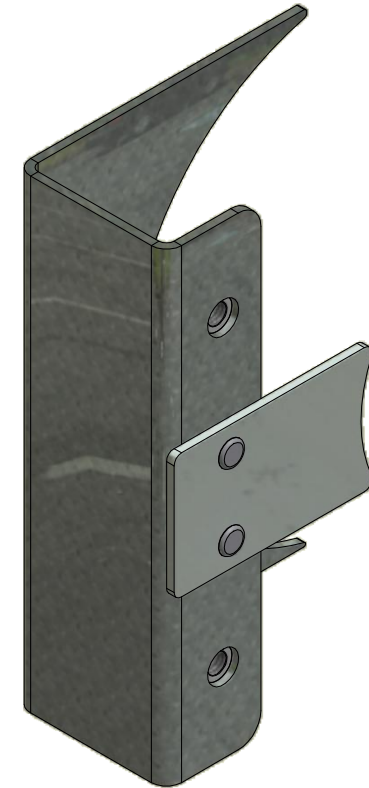
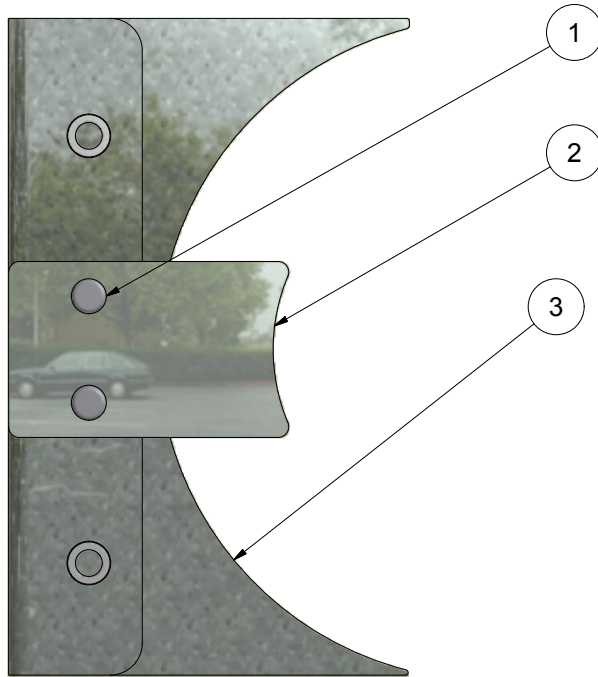


Break all edges


This drawing is the property of HEDENSTED GRUPPEN AS. It is not to be copied, reproduced, or disseminated to any third person.		Scale: 1 : 4	Not specified tolerance according to: DS/ISO 2768-m	Sheet size: A3
	Part No.: M100579	Material:	Surface properties: No	Sheet: 1 / 1
	Description 1: Turn roll assembly			
Description 2:				

Revision:	Approved	Date:	Revision Description
1	KL	03-05-2016	Turn roll changed to open model

PARTS LIST			
ITEM	QTY	PART NUMBER	DESCRIPTION
1	2	7003208	Pop rivet $\varnothing 3.2 \times 8 \text{mm}$
2	1	M10760	Cover front part 3
3	1	M10762	Front cover part 2 welded

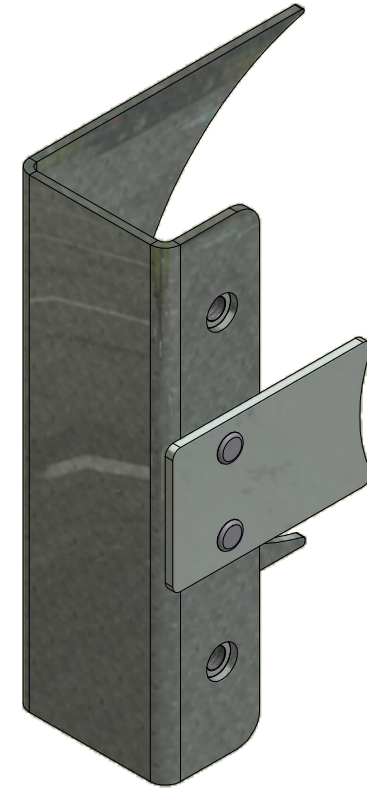
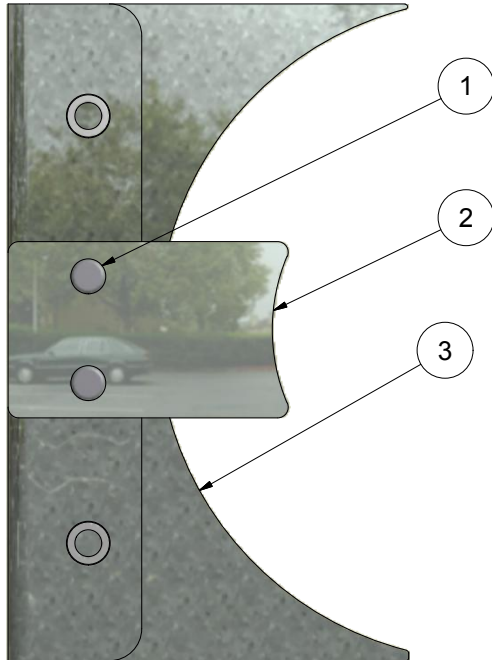


Break all edges

<small>Alle Rechte vorbehalten. Nachdruck, Vervielfältigung und Verbreitung, auch auszugsweise, ist ohne schriftliche Genehmigung der HEDENSTED GRUPPEN A/S.</small> HEDENSTED GRUPPEN A/S	 HEDENSTED GRUPPEN	Scale: 1 : 1	Not specified tolerance according to: DS/ISO 2768-m	Sheet size: A3
	Part No.: M100582	Material:	Surface properties: No	Sheet: 1 / 1
	Description 1: Cover front - left side			
	Description 2:			

Revision:	Approved	Date:	Revision Description
1	HG	28-09-2015	Revision changed to numeric

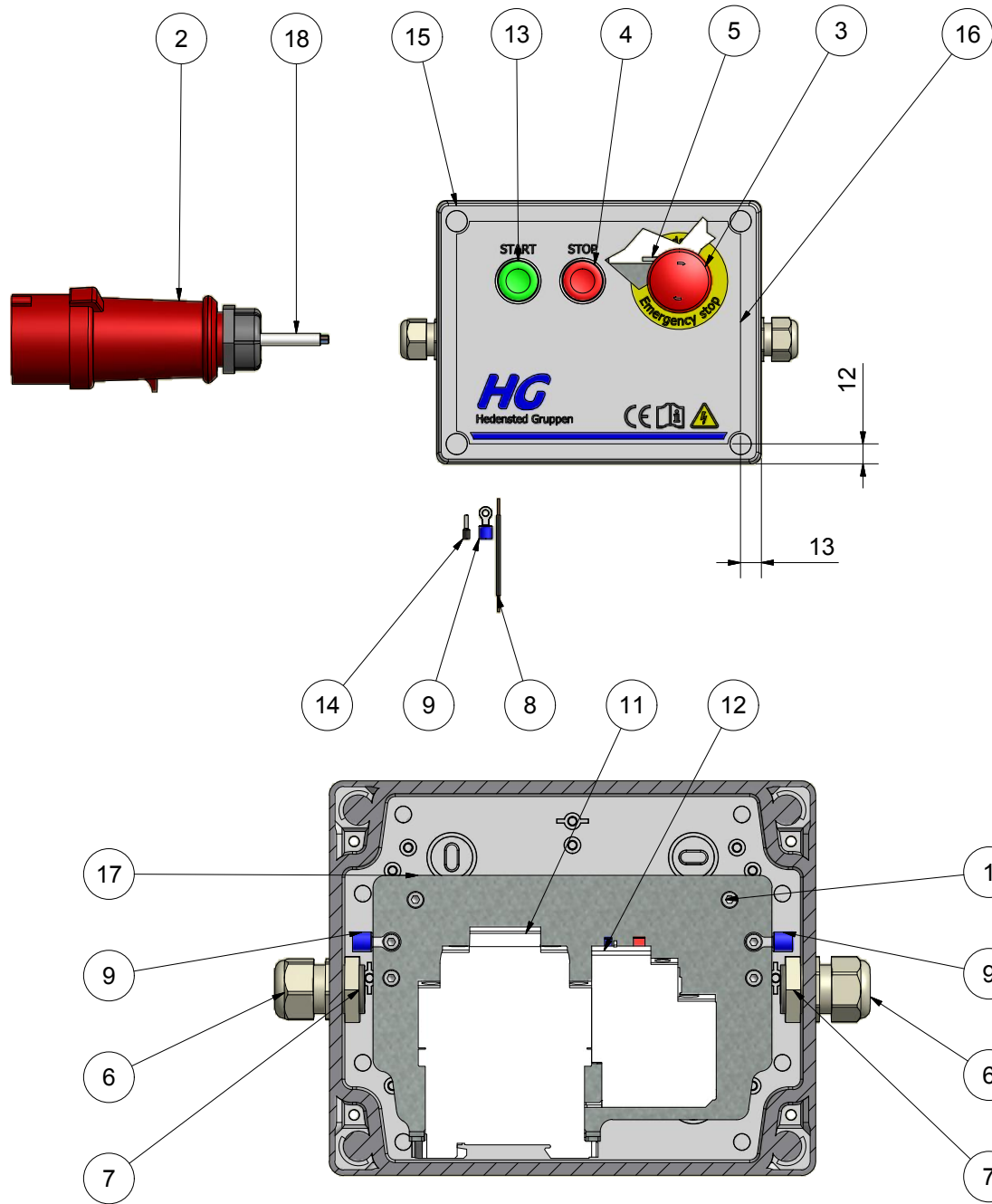
PARTS LIST			
ITEM	QTY	PART NUMBER	DESCRIPTION
1	2	7003208	Pop rivet ø3.2x8mm
2	1	M10760	Cover front part 3
3	1	M10761	Front cover part 1 welded



Break all edges

HG HEDENSTED GRUPPEN HEDENSTED GRUPPEN A/S	Scale:	Not specified tolerance according to:	Sheet size:
	1 : 1	DS/ISO 2768-m	A3
	Surface properties:	No	Sheet:
			1 / 1
Part No.:	Material:		
M100583			
Description 1:	Cover front - Right side		
Description 2:			

Revision:	Approved	Date:	Revision Description
1	HG	28-09-2015	Revision changed to numeric



PARTS LIST			
ITEM	QTY	PART NUMBER	DESCRIPTION
1	6	10204010	Hexagon cylinder head M4x10 FZB
2	1	50171	CEE Plug male 5P/16A/400V Phase inverter
3	1	600100	Push button Emergency stop
4	1	600345	Push button red 1NC XB4BA42
5	1	600375	Switch block ZB4BZ104 2NC
6	2	600455	Cabel gland M20 Ø5-12
7	2	600475	Cable gland nut polyamid M20
8	4,0 m	600500	Wire H07V2-K 1x1,5mm ² Black
9	6	600625	Cable shoe 0,5-1,5mm ² x Ø4 Red isolation
10	33	600685	Label Panduit for Laser
11	1	600738	Contactur LC1D09V7 9A 400VAC
12	1	600745	Motor protection LRD08 2,5-4A
13	1	600788	Push button green 1NO XB4BA31
14	25	601075	Pin 1,5mm ² Black isolation (on strip)
15	1	M100937	Box ABS plastic 201x163x98mm
16	1	M100938	Label for conveyor
17	1	M100940	Mountingplate for box
18	5,0 m	M102060	Cable JZ 4x1,5mm ² PVC

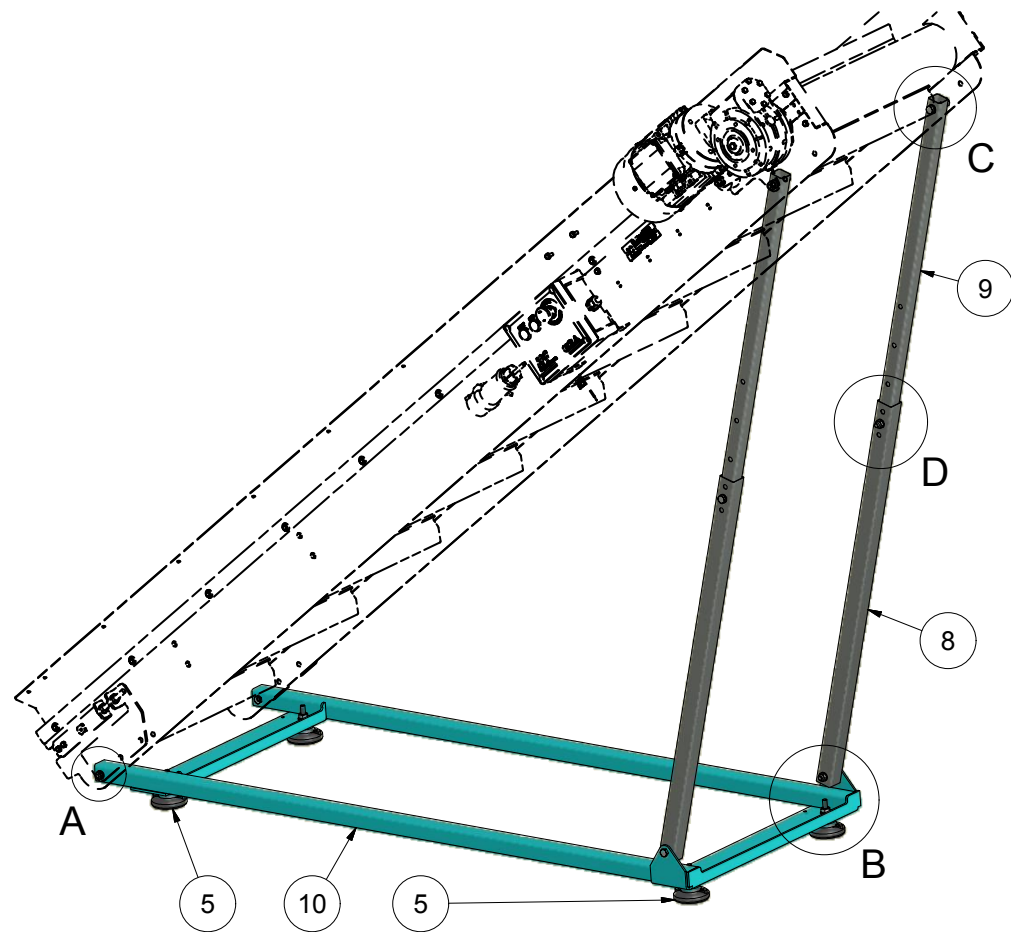
Break all edges

This drawing is the property of HEDENSTED GRUPPEN A/S. It is not to be copied or disclosed to any third person.		Scale: 1 : 3	Not specified tolerance according to: DS/ISO 2768-m	Sheet size: A3
	Part No.: M100593	Material: Default	Surface properties:	Sheet: 1/1
	Description 1: Controlebox for conveyor			
	Description 2: 600x2800mm			

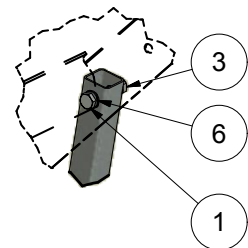
Revision:	Approved	Date:	Revision Description
1	HG	28-09-2015	Revision changed to numeric

PARTS LIST

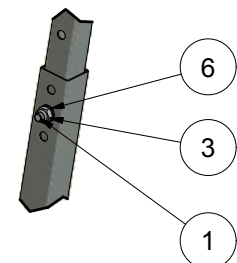
ITEM	QTY	PART NUMBER	DESCRIPTION
1	8	11410060	Hexagon bolt M10x60 FZB
2	5	1512000	Nut M12 FZB
3	8	17910000	Self-locking nut M10 FZB
5	4	197350	Machine base M75-12-070
6	14	82110000	Chamfered Washer M10 FZB
7	4	82112000	Chamfered Washer M12 FZB
8	2	M100586	Outer vertical leg
9	2	M100587	Inner vertical leg
10	1	M100588	Bottom frame for conveyor



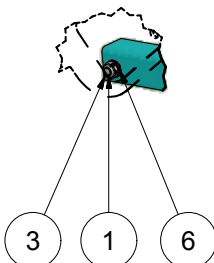
C (1:6)



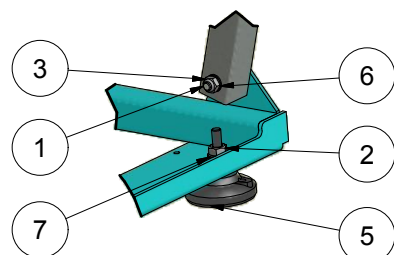
D (1:6)



A (1:6)



B (1:6)

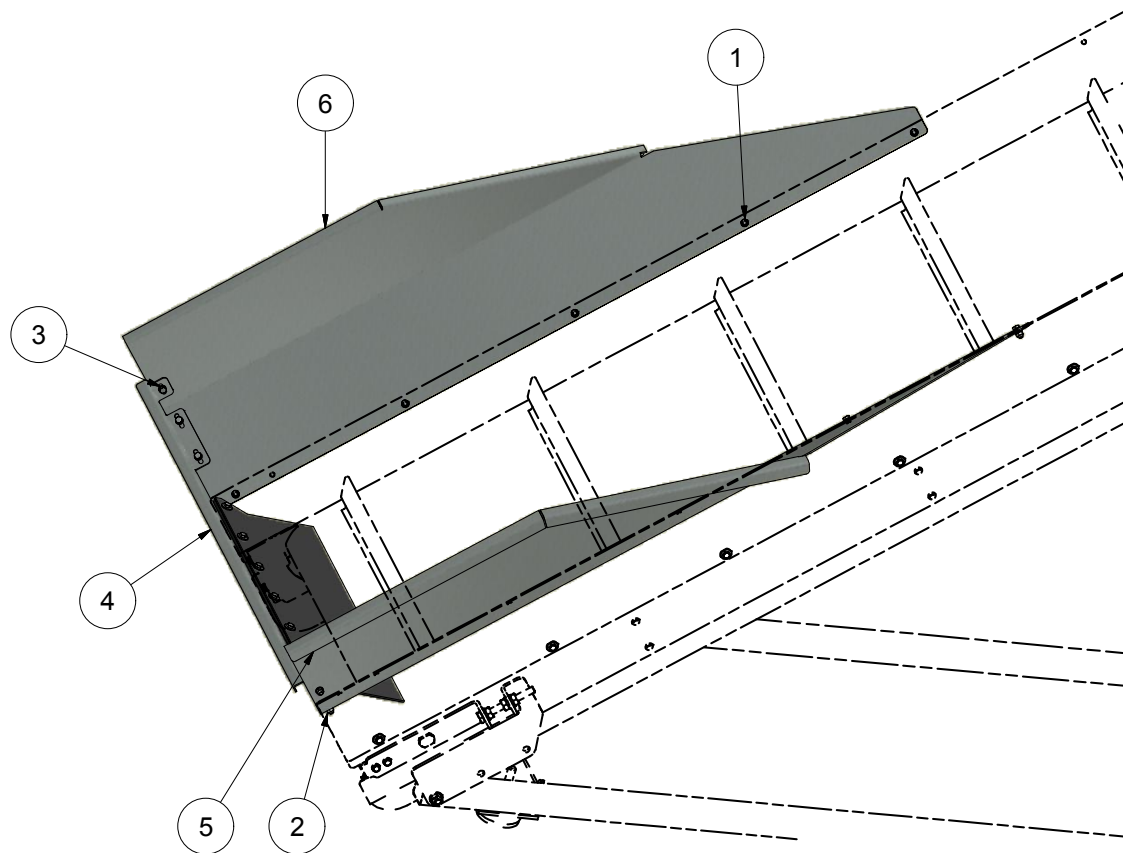


Revision:	Approved	Date:	Revision Description
1	HG	28-09-2015	Revision changed to numeric


Break all edges

	Scale:	Not specified tolerance according to:	Sheet size:
	1:12	DS/ISO 2768-m	A3
		Surface properties:	Sheet:
Part No.:	Material:		1/1
M100589			
Description 1:			
Bottom frame assembly			
Description 2:			

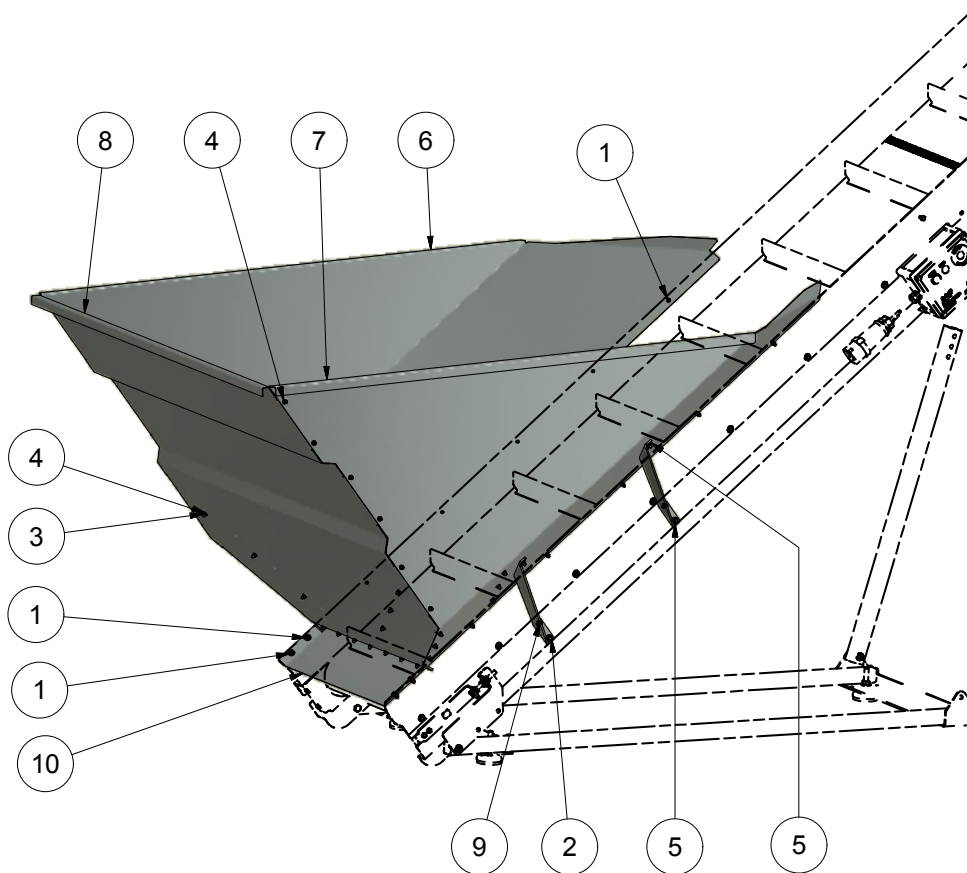
PARTS LIST			
ITEM	QTY	PART NUMBER	DESCRIPTION
1	16	11406016	Hexagon bolt M6x16 FZB
2	16	17906000	Self-locking nut M6 FZB
3	32	82106000	Washer M6 FZB
4	1	M100599	Rear plate for hydra funnel
5	1	M100600	Right side for hydra funnel
6	1	M100601	Left side for hydra funnel



Break all edges


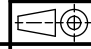
The information on this drawing is the property of HEDENSTED GRUPPEN AS. It is not to be copied or disclosed to any third person.	 HEDENSTED GRUPPEN	Scale: 0,12 : 1	Not specified tolerance according to: DS/ISO 2768-m	Sheet size: A3
	Part No.: M100602	Material:	Surface properties: No	Sheet: 1 / 1
	Description 1: Funnel for hydra combi			
	Description 2: Conveyor 600x2800mm			

Revision:	Approved	Date:	Revision Description
1	HG	28-09-2015	Revision changed to numeric

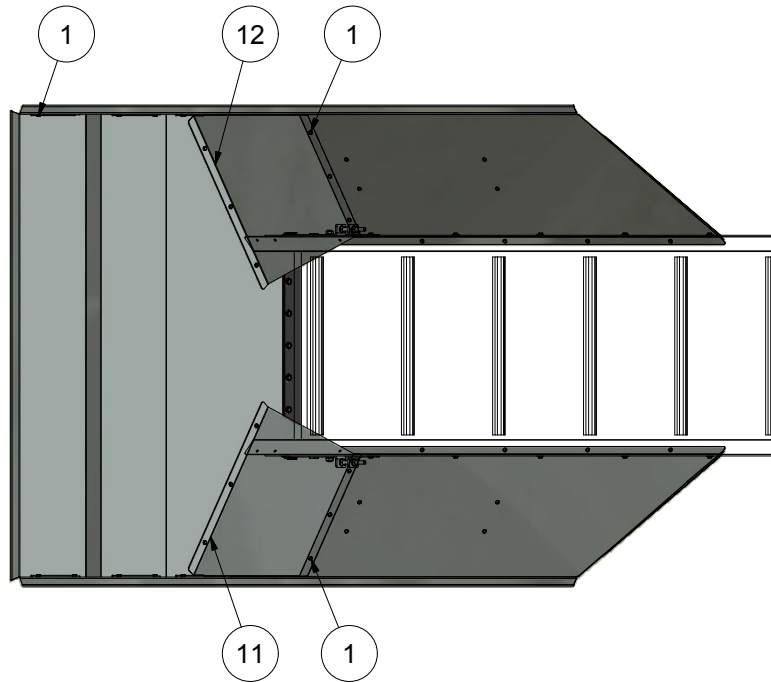


PARTS LIST			
ITEM	QTY	PART NUMBER	DESCRIPTION
1	43	11406016	Hexagon bolt M6x16 FZB
2	16	11406020	Hexagon bolt M6x20 FZB
3	51	17906000	Self-locking nut M6 FZB
4	43	82106000	Washer M6 FZB
5	20	82606000	Washer Ø6,4x18x1,6 FZB
6	1	M100591	Left side for container funnel
7	1	M100592	Right side for container funnel
8	1	M100597	Rear for funnel
9	4	M100933	Reinforcement for funnel
10	1	M100934	End cover for conveyor
11	1	M100935	Side panel for funnel
12	1	M100936	Side palen for funnel



Break all edges

The information on this drawing is the property of HEDENSTED GRUPPEN A/S. It is not to be copied or disclosed to any third person.	 HEDENSTED GRUPPEN A/S	Scale: 1:15	Not specified tolerance according to: DS/ISO 2768-m	Sheet size: A3
		 Surface properties: No		Sheet: 1/2
	Part No.: M100596	Material:		
	Description 1: Funnel for plastic container			
Description 2:				

Revision:	Approved	Date:	Revision Description
1	HG	28-09-2015	Revision changed to numeric



Break all edges

The drawing is a technical drawing and is not to be used for manufacturing purposes without the approval of HEDENSTED GRUPPEN AS.	 HEDENSTED GRUPPEN AS		Scale:	Not specified tolerance according to:	Sheet size:	
			1:15	DS/ISO 2768-m	A3	
				Surface properties:	No	Sheet:
			Part No.:		M100596	2 / 2
Description 1:						
Funnel for plastic container						
Description 2:						

Revision:	Approved	Date:	Revision Description
1	HG	28-09-2015	Revision changed to numeric

Customer: Hedensted Gruppen A/S

Project: HG Conveyor 2015-01 600x2800mm

Hedensted Gruppen A/S
Vejlevej 15a
DK-8722 Hedensted
TLF: 75 89 12 44
FAX: 75 89 11 80



Ormhøjgårdvej 15
DK-8700 Horsens Tlf. 75641899

Project title: HG Conveyor 2015-01 600x2800mm		Filename: 150206
Customer: Hedensted Gruppen A/S		Case no.: 150206
Last printed: 25-03-2015	07:42:14	
Last checked: 06-02-2015 10:59:58		Page: A of 10

Index

Information	C
03-02-2015 12:39:54	
Declaration of incorporation	D
03-02-2015 12:39:58	
Main Circuit	1
03-02-2015 13:47:42	
	2
03-02-2015 12:40:58	
Cable list	10
03-02-2015 13:43:50	
Part list	11
03-02-2015 13:43:58	

VS AUTOMATIC

Ormhøjgårdvej 15
DK-8700 Horsens Tlf. 75641899

Project title: HG Conveyor 2015-01 600x2800mm

Customer: Hedensted Gruppen A/S

Filename: 150206

Last printed: 25-03-2015

07:42:14

Case no.: 150206

Last checked: 03-02-2015 13:47:48

Page: B

of 10

Information

WIRE IDENTIFICATION:

The wire is identified with the terminal number of the component.

WIRE COLOUR:

MAIN CIRCUIT: Phase Black
 Neutral Light blue

DC CONTROL CIRCUIT: 24VDC Dark blue
 0VDC White

THE FOLLOWING COLOUR ID IS TAKEN FROM DS/EN 60757

BK BLACK
BN BROWN
RD RD
OG ORANGE
YE YELLOW
GN GREEN
BU BLUE
VT VIOLET
GY GREY
WH WHITE
PK PINK

ALL SYMBOLS USED IS TAKEN FROM DS/EN 166

VS AUTOMATIC

Ormhøjgårdvej 15
DK-8700 Horsens Tlf. 75641899

Project: HG Conveyor 2015-01 600x2800mm

Customer: Hedensted Gruppen A/S

Last printed: 25-03-2015

07:42:14

Last checked: 03-02-2015 12:39:54

Case no.: 150206

Filename: 150206

Page: C

of 6

DECLARATION OF INCORPORATION

Directive 2006/42/EF, Annex II, B

Manufacturer

Firm: VS AUTOMATIC A/S
Address: Ormhøjgårdvej 15
DK-8700 Horsens
Phone: +45 75 64 18 99
Fax: +45 75 64 18 09
Email: info@vs-automatic.dk

Herewith declares that

Component: Controlpanel
Type: 150206
Year of manufator: 2015

is intended to be incorporated into machinery or to be assembled with other machinery to constitute machinery covered by Directive 2006/42/EC

does therefor not in every respect comply with the provisions of this directive
does comply with the provisions of the following other EC directives

EC directives

EC machine directive 89/392/EEC, as per 91/386/EEC, 93/68/EEC, 93/44/EEC

EC low-voltage directives 73/23/EEC, as per 93/68/EEC, 93/465/EEC

EC EMC directive 89/336/EEC as per 92/31/EEC, 93/68/EEC, 93/465/EEC

Harmonized standards

EN60204-1 Safety of Machinery Electrical Equipment of Machines

EN60439-1 Low-voltage switchgear and controlgear assemblies part 1: Type-tested and partially type-tested assemblies

And furthermore declares that it is not allowed to put the machinery into service until the machinery into which it is to be incorporated or of which it is to be a component has been found and declared to be in conformity with the provisions of Directive 98/37/EC and with national implementation legislation i.e. as a whole, including the machinery referred to in this declaration

Machine: HG Conveyor 2015-01 600x2800mm
Machine No.: 204308
Type: Year of manufactor: 2015
Manufacturer: Hedensted Gruppen A/S

Identification of signature:

Firm: VS AUTOMATIC A/S
Address: Ormhøjgårdvej 15
DK-8700 Horsens

Date: Signature

25-03-2015

Torben Steffensen

VS AUTOMATIC

Tlf. 75 64 18 99 - vs-automatic.dk
En del af **TS-GRUPPEN** - Danmarks stærkeste El & Energi installerer

Type: Hedensted Gruppen A/S

Project: HG Conveyor 2015-01 600x2800mm

File: 150206

Printed: 25-03-2015

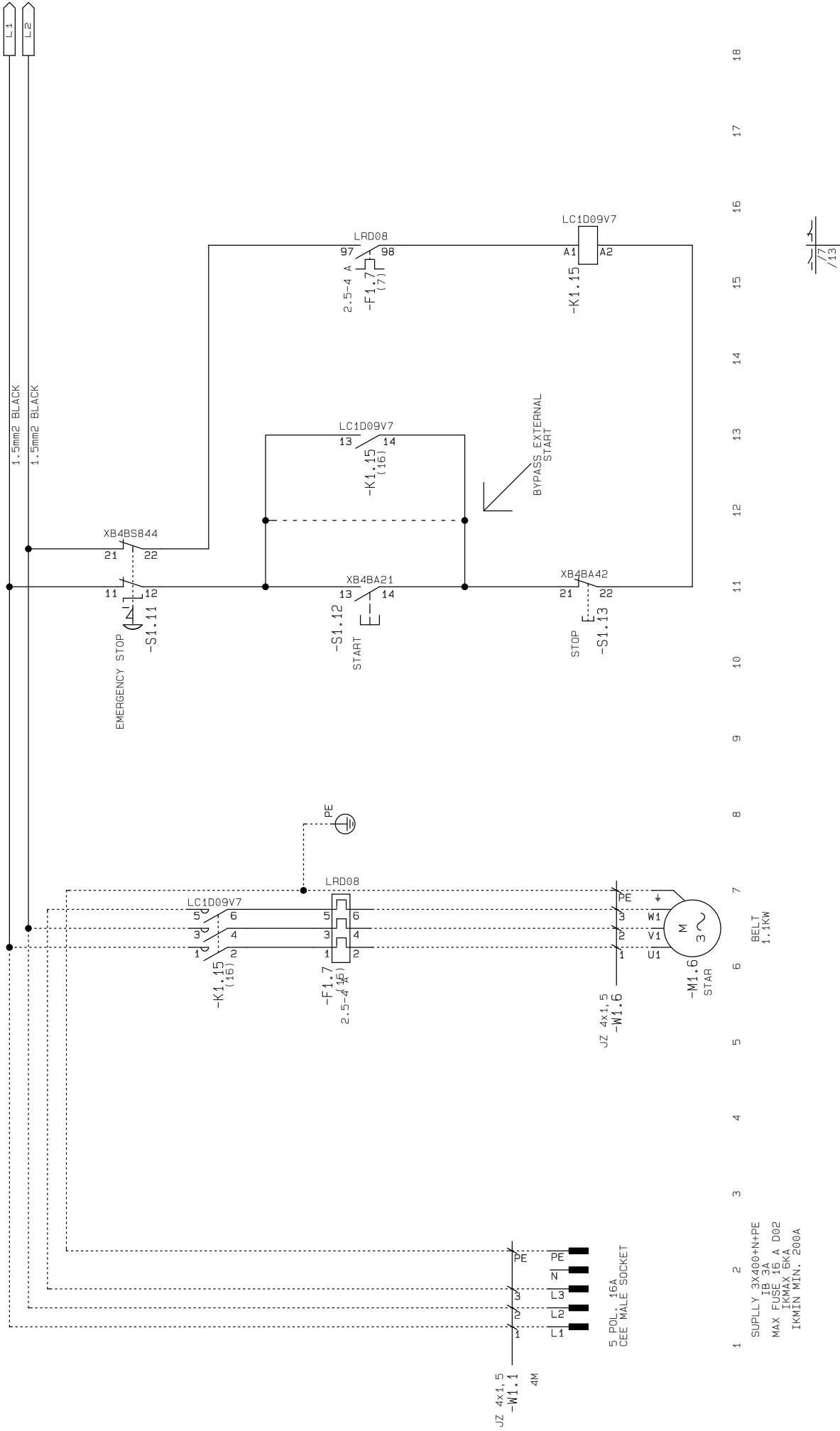
07:42:14

Case no.: 150206

Changed: 06-02-2015 10:56:18

Page: D

of 10



Customer: Hedensted Gruppen A/S

Project: HG Conveyor 2015-01 600x2800mm

Hedensted Gruppen A/S
Vejlevej 15a
DK-8722 Hedensted
TLF: 75 89 12 44
FAX: 75 89 11 80



Ormhøjgårdvej 15
DK-8700 Horsens Tlf. 75641899

Project title: HG Conveyor 2015-01 600x2800mm		Filename: 150206
Customer: Hedensted Gruppen A/S		Case no.: 150206
Last printed: 25-03-2015	07:42:14	
Last checked: 06-02-2015 10:59:58		Page: A of 10

Index

Information	C
03-02-2015 12:39:54	
Declaration of incorporation	D
03-02-2015 12:39:58	
Main Circuit	1
03-02-2015 13:47:42	
	2
03-02-2015 12:40:58	
Cable list	10
03-02-2015 13:43:50	
Part list	11
03-02-2015 13:43:58	

VS AUTOMATIC

Ormhøjgårdvej 15
DK-8700 Horsens Tlf. 75641899

Project title: HG Conveyor 2015-01 600x2800mm

Customer: Hedensted Gruppen A/S

Filename: 150206

Last printed: 25-03-2015

07:42:14

Case no.: 150206

Last checked: 03-02-2015 13:47:48

Page: B

of 10

Information

WIRE IDENTIFICATION:

The wire is identified with the terminal number of the component.

WIRE COLOUR:

MAIN CIRCUIT: Phase Black
 Neutral Light blue

DC CONTROL CIRCUIT: 24VDC Dark blue
 0VDC White

THE FOLLOWING COLOUR ID IS TAKEN FROM DS/EN 60757

BK BLACK
BN BROWN
RD RD
OG ORANGE
YE YELLOW
GN GREEN
BU BLUE
VT VIOLET
GY GREY
WH WHITE
PK PINK

ALL SYMBOLS USED IS TAKEN FROM DS/EN 166

VS AUTOMATIC

Ormhøjgårdvej 15
DK-8700 Horsens Tlf. 75641899

Project: HG Conveyor 2015-01 600x2800mm

Customer: Hedensted Gruppen A/S

Last printed: 25-03-2015

07:42:14

Last checked: 03-02-2015 12:39:54

Case no.: 150206

Filename: 150206

Page: C

of 6

DECLARATION OF INCORPORATION

Directive 2006/42/EF, Annex II, B

Manufacturer

Firm: VS AUTOMATIC A/S
Address: Ormhøjgårdvej 15
DK-8700 Horsens
Phone: +45 75 64 18 99
Fax: +45 75 64 18 09
Email: info@vs-automatic.dk

Herewith declares that

Component: Controlpanel
Type: 150206
Year of manufator: 2015

is intended to be incorporated into machinery or to be assembled with other machinery to constitute machinery covered by Directive 2006/42/EC

does therefor not in every respect comply with the provisions of this directive
does comply with the provisions of the following other EC directives

EC directives

EC machine directive 89/392/EEC, as per 91/386/EEC, 93/68/EEC, 93/44/EEC

EC low-voltage directives 73/23/EEC, as per 93/68/EEC, 93/465/EEC

EC EMC directive 89/336/EEC as per 92/31/EEC, 93/68/EEC, 93/465/EEC

Harmonized standards

EN60204-1 Safety of Machinery Electrical Equipment of Machines

EN60439-1 Low-voltage switchgear and controlgear assemblies part 1: Type-tested and partially type-tested assemblies

And furthermore declares that it is not allowed to put the machinery into service until the machinery into which it is to be incorporated or of which it is to be a component has been found and declared to be in conformity with the provisions of Directive 98/37/EC and with national implementation legislation i.e. as a whole, including the machinery referred to in this declaration

Machine: HG Conveyor 2015-01 600x2800mm
Machine No.: 204308
Type: Year of manufactor: 2015
Manufacturer: Hedensted Gruppen A/S

Identification of signature:

Firm: VS AUTOMATIC A/S
Address: Ormhøjgårdvej 15
DK-8700 Horsens

Date: Signature

25-03-2015

Torben Steffensen

VS AUTOMATIC

Tlf. 75 64 18 99 - vs-automatic.dk

En del af TS-GRUPPEN - Danmarks stærkeste El & Energi installerator

Type: Hedensted Gruppen A/S

Project: HG Conveyor 2015-01 600x2800mm

File: 150206

Printed: 25-03-2015

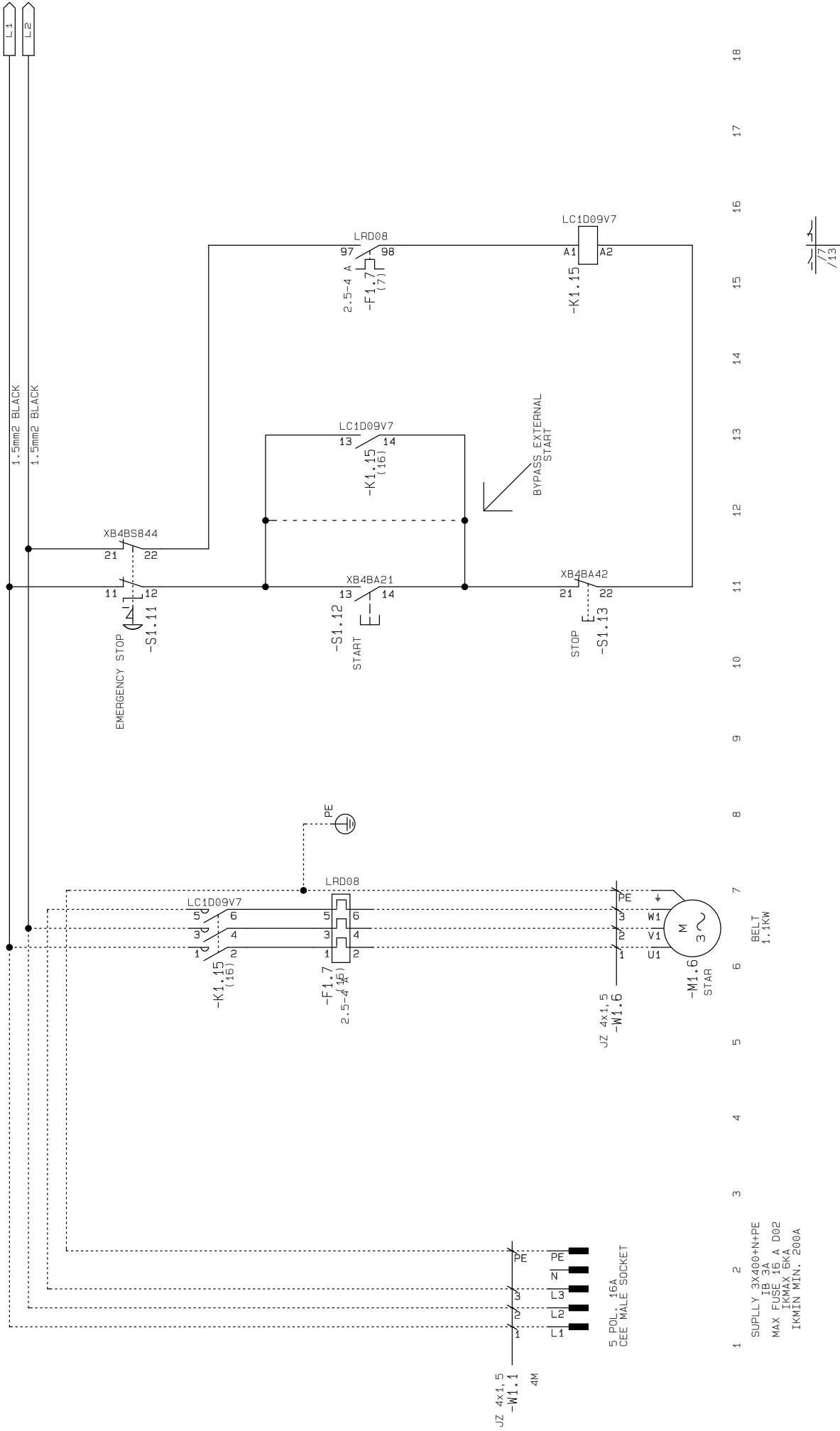
07:42:14

Case no.: 150206

Changed: 06-02-2015 10:56:18

Page: D

of 10



<p>VS AUTOMATIC Tlf. 75 64 18 99 - vs-automatic.dk En del af TS-GRUPPEN - Danmarks stærkeste El & Energi installerer.</p>	Customer: Hedensted Gruppen A/S	Designer: TBT	Case no:150206
	Project: HG Conveyor 2015-01 600x2800mm	Last prt: 25-03-2015	Page ref.:
	Page title: Main Circuit	Last changed: 25-03-2015	Page: 1 of 10

