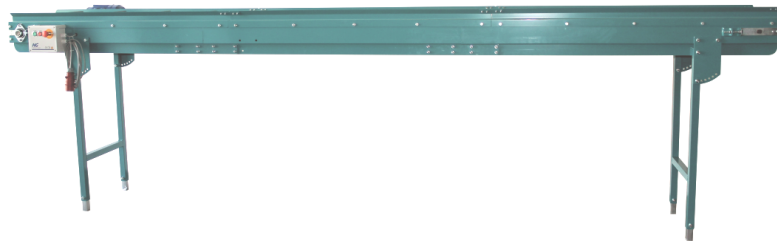


HG

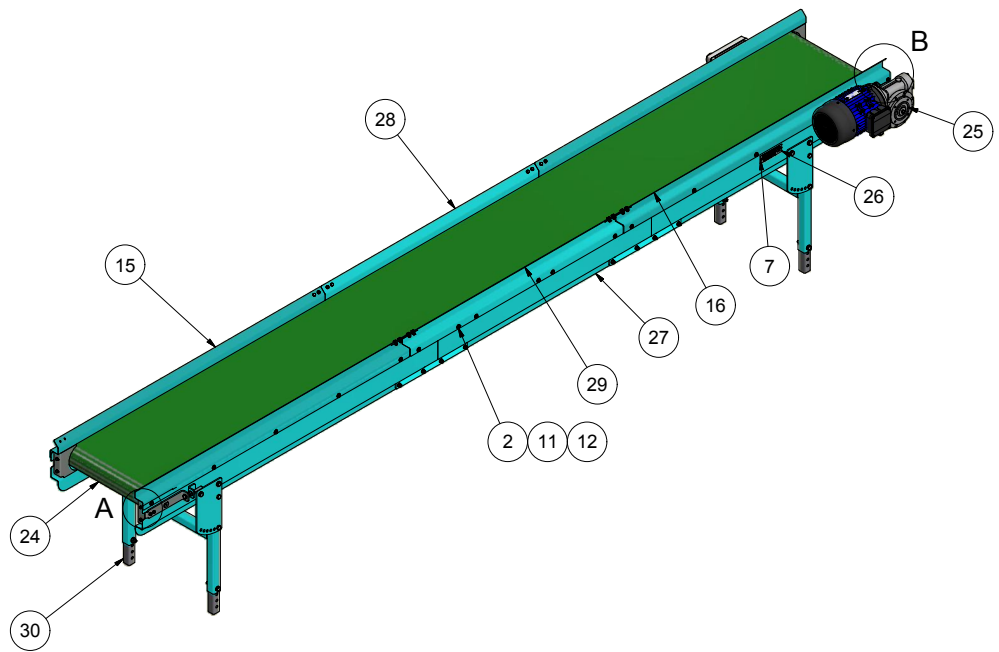
SPARE PARTS



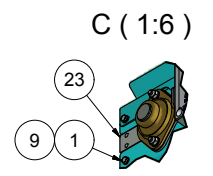
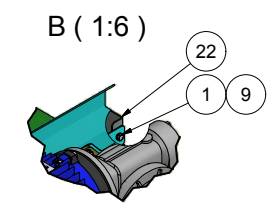
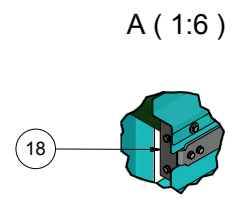
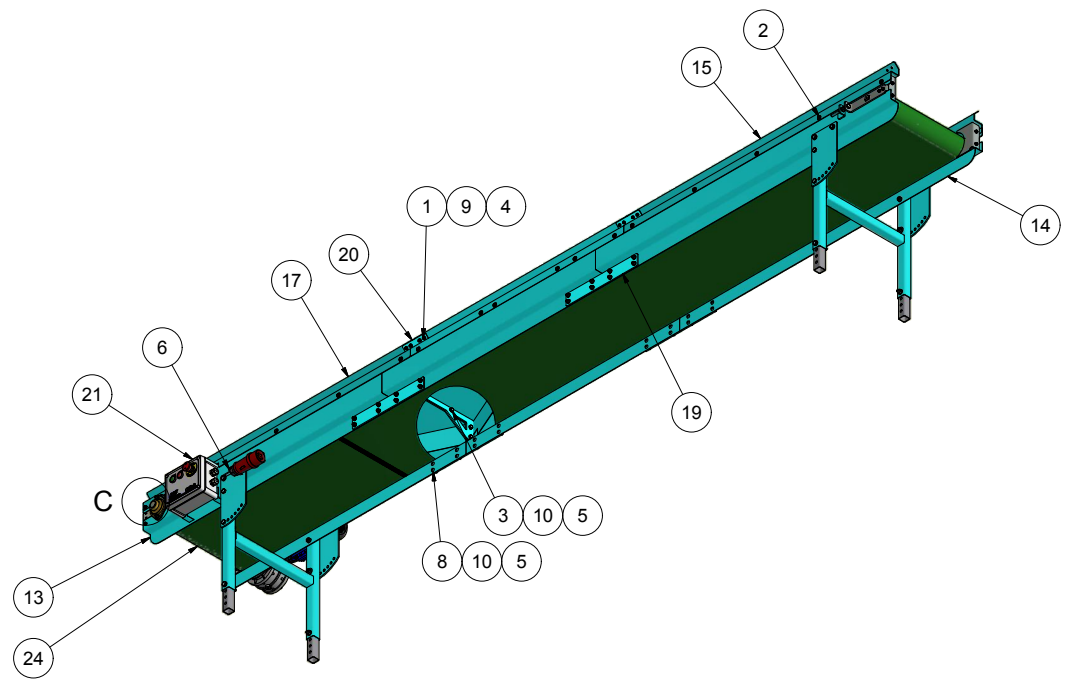
**HG Conveyor
500 x 4.200mm**

1. Table of contents.

1. Table of content.
2. Spare parts.
3. Electric diagrams.



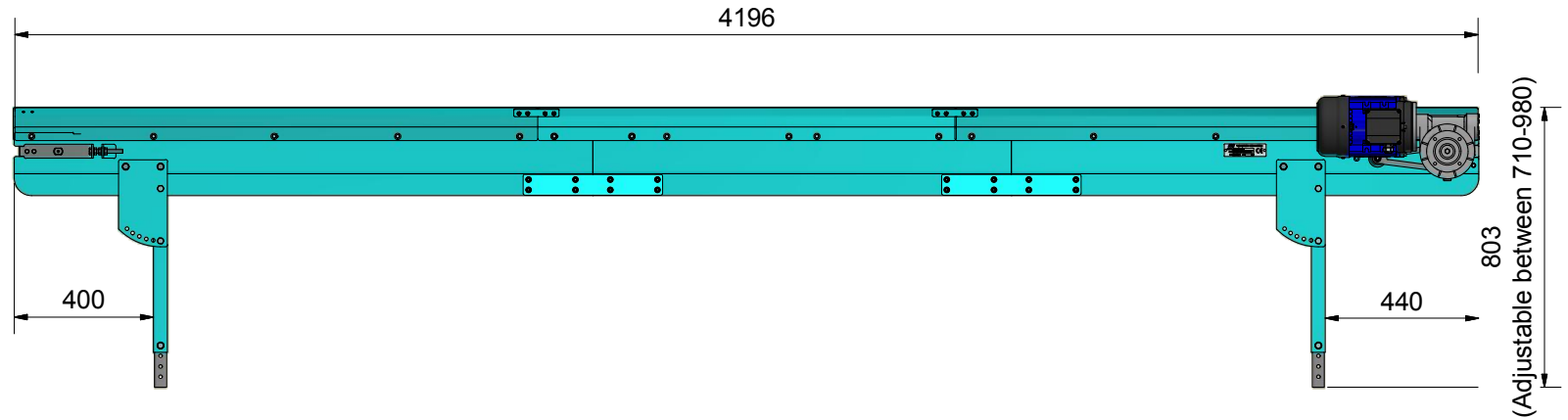
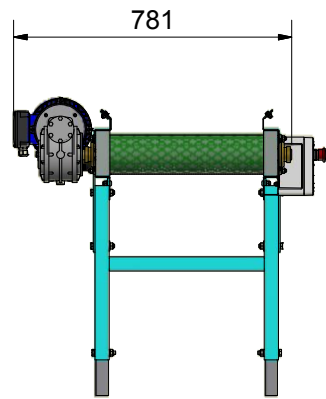
PARTS LIST			
ITEM	QTY	PART NUMBER	DESCRIPTION
1	24	11406016	Hexagon bolt M6x16 FZB
2	30	11406020	Hexagon bolt M6x20 FZB
3	12	11408025	Hexagon bolt M8x25 FZB
4	20	17906000	Self-locking nut M6 FZB
5	44	17908000	Self-locking nut M8 FZB
6	2	33068	Rubber bushing Ø9 x 13mm
7	2	7003206	Blind rivet Ø3,2x6 (2,5-3,5)
8	32	76008020	Buttonhead bolt M8x20 FZB
9	28	82106000	Washer M6 FZB
10	56	82108000	Washer M8 FZB
11	30	82606000	Washer Ø6,4x18x1,6 FZB
12	30	9306014	Blindnut rivet M6x14,5 (0,5-2,3)
13	1	M101181	Chassis welded - Motor
14	1	M101182	Chassis welded - Turn end
15	2	M101183	Sideplate extra
16	1	M101184	Sideplate right
17	1	M101185	Sideplate left
18	1	M101191	Turn roll assembly
19	4	M101570	Connection plate 60x400x5mm
20	4	M101598	Connection plate 30x130x2mm
21	1	M101605	Controlebox for conveyor
22	1	M102231	Cover front - Right side
23	1	M102234	Cover front - left side
24	1	M102822	Conveyor belt 3983 x 480mm
25	1	M102833	Motor assembly
26	1	M102836	Id plate for Conveyor 500x4200
27	1	M102841	Chassis welded - 1200mm
28	1	M102842	Sideplate extra 1200mm
29	1	M102843	Sideplate extra 1200mm
30	2	M12574	Leg assembly




Revision	Approved	Date	Revision Description
1	KKS	16-08-2017	Made

Break all edges

	Scale:	1:15	Not specified tolerance according to:	DS/ISO 2768-m	Sheet size:	A2
	Surface properties:	Ⓢ	No		Sheet:	1 / 2
Part No.:	204311					
Description 1:	Conveyor 500x4200mm					
Description 2:	With legs					

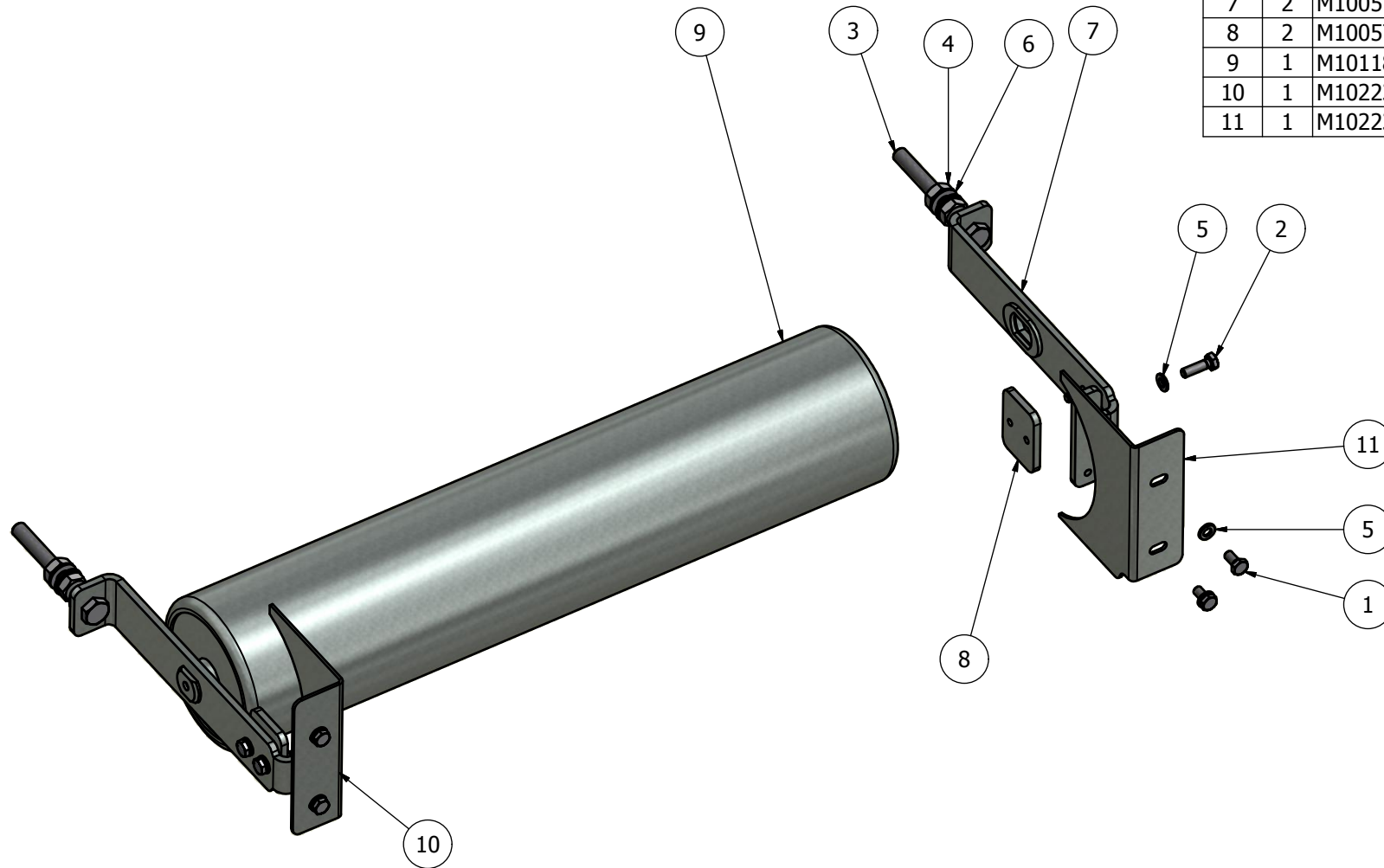


Break all edges

The information on this drawing is confidential and intended for internal use only. It is not to be copied or disclosed to any third person. HEDENSTED GRUPPEN A/S	 HEDENSTED GRUPPEN	Scale: 1:15	Not specified tolerance according to: DS/ISO 2768-m	Sheet size: A3
	Part No.: 204311	Material:	Surface properties: No	Sheet: 2 / 2
	Description 1: Conveyor 500x4200mm			

Revision:	Approved	Date:	Revision Description
1	KKS	16-08-2017	Made

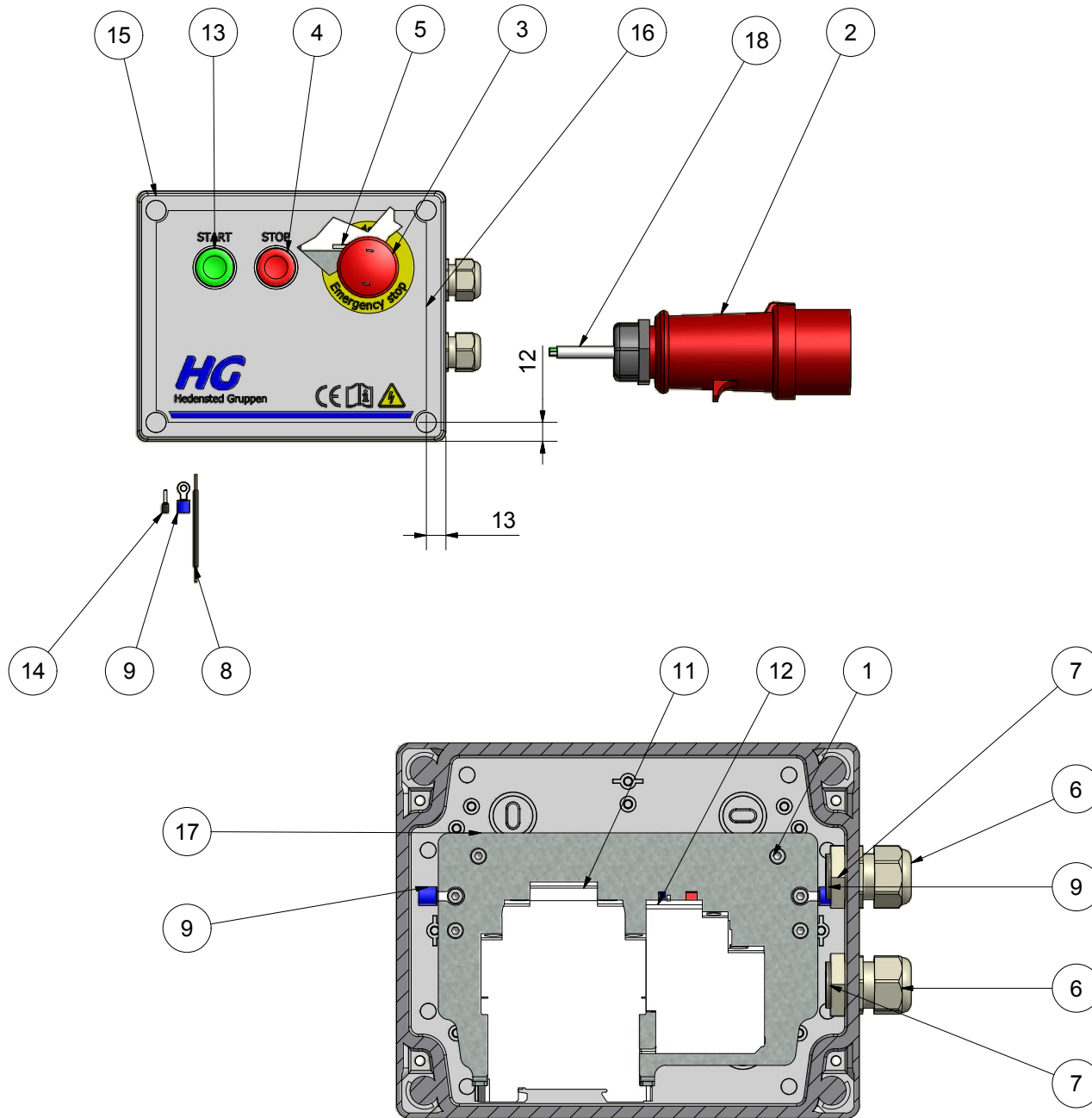
PARTS LIST			
ITEM	QTY	PART NUMBER	DESCRIPTION
1	4	11406012	Hexagon bolt M6x12 FZB
2	4	11406020	Hexagon bolt M6x20 FZB
3	2	11410090	Hexagon bolt M10x90 FZB
4	6	1510000	Nut M10 FZB
5	8	82106000	Washer M6 FZB
6	6	82110000	Washer M10 FZB
7	2	M100576	Tension bracket complete
8	2	M100578	Rear clamping plate
9	1	M101189	Turn roll $\varnothing 108 \times 500$
10	1	M102232	Cover rear - left side
11	1	M102233	Cover rear - right side



Break all edges

<small>The information on this drawing is confidential and may not be disclosed to any third person.</small> HEDENSTED GRUPPEN A/S	HG	Scale: 1:3	Not specified tolerance according to: DS/ISO 2768-m	Sheet size: A3
	<small>HEDENSTED GRUPPEN</small>		Surface properties: No	Sheet: 1/1
	Part No.: M101191	Material:		
	Description 1: Turn roll assembly			
Description 2:				

Revision:	Approved	Date:	Revision Description
1	MRH	07-07-2016	End covers changed



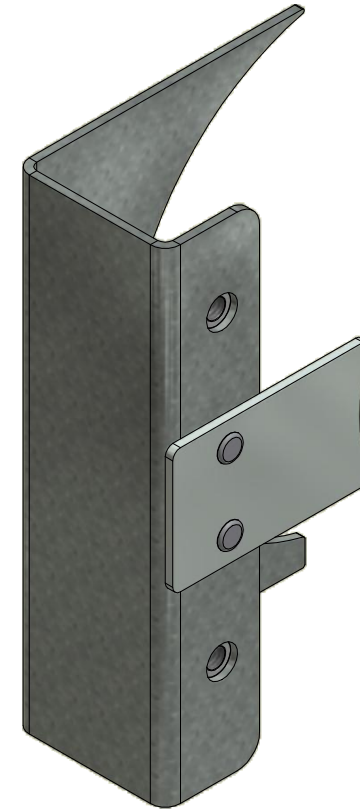
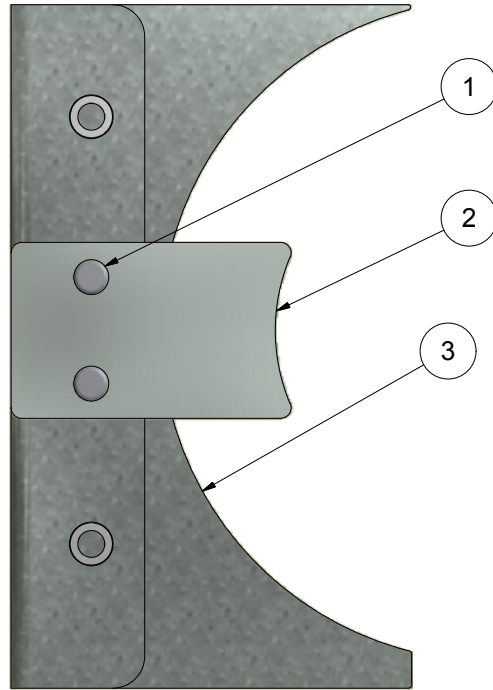
PARTS LIST			
ITEM	QTY	PART NUMBER	DESCRIPTION
1	6	10204010	Hexagon cylinder head M4x10 FZB
2	1	50171	CEE Plug male 5P/16A/400V Phase inverter
3	1	600100	Push button Emergency stop
4	1	600345	Push button red 1NC XB4BA42
5	1	600375	Switch block ZB4BZ104 2NC
6	2	600455	Cabel gland M20 Ø5-12
7	2	600475	Cable gland nut polyamid M20
8	4,0 m	600500	Wire H07V2-K 1x1,5mm ² Black
9	6	600625	Cable shoe 0,5-1,5mm ² x Ø4 Red isolation
10	33	600685	Label Panduit for Laser
11	1	600738	Contactur LC1D09V7 9A 400VAC
12	1	600745	Motor protection LRD08 2,5-4A
13	1	600788	Push button green 1NO XB4BA31
14	25	601075	Pin 1,5mm ² Black isolation (on strip)
15	1	M100937	Box ABS plastic 201x163x98mm
16	1	M100938	Label for conveyor
17	1	M100940	Mountingplate for box
18	6,0 m	M102060	Cable JZ 4x1,5mm ² PVC

Break all edges


This drawing is the property of HEDENSTED GRUPPEN AS. It is not to be copied, reproduced, or disseminated to any third person.		Scale: 1 : 3	Not specified tolerance according to: DS/ISO 2768-m	Sheet size: A3
		Surface properties:		Sheet: 1 / 2
	Part No.: M101605	Material: Default		
	Description 1: Controlexbox for conveyor			
Description 2: 3000-6000mm conveyor				

Revision:	Approved	Date:	Revision Description
1	HG	23-11-2015	Made

PARTS LIST			
ITEM	QTY	PART NUMBER	DESCRIPTION
1	2	7003208	Blind rivet Ø3.2x8 (4-5,5)
2	1	M10760	Cover front part 3
3	1	M12010	Front cover part 1 welded

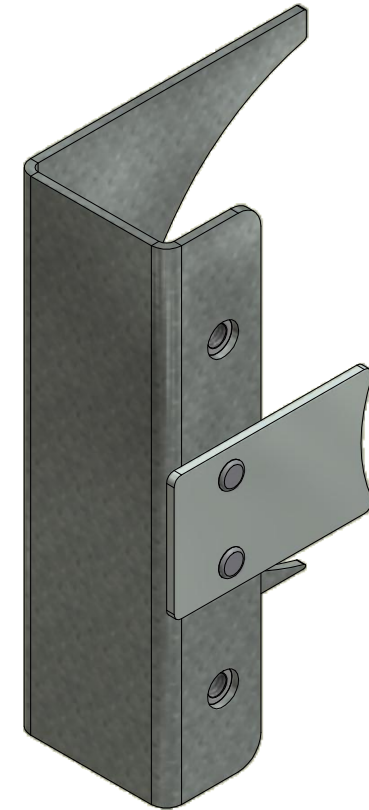
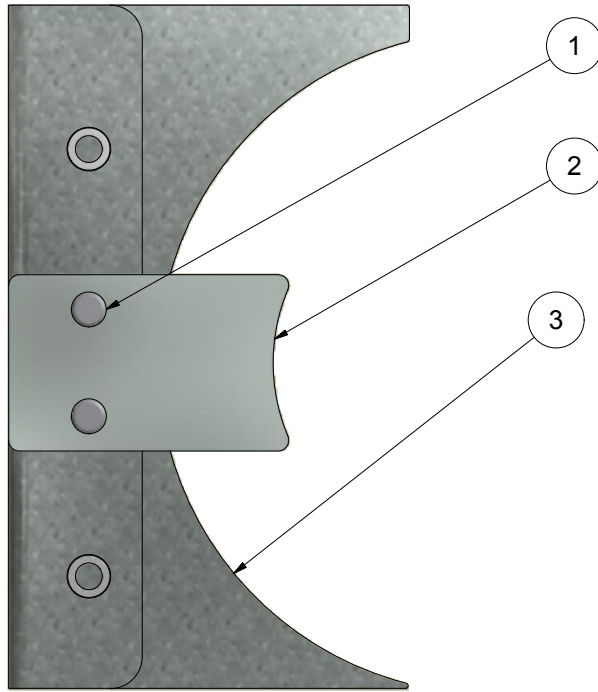


Break all edges


<small>Alle Rechte vorbehalten. Nachdruck, Vervielfältigung und Verbreitung, auch auszugsweise, ist ohne schriftliche Genehmigung der HEDENSTED GRUPPEN A/S.</small> HEDENSTED GRUPPEN A/S	 HEDENSTED GRUPPEN	Scale: 1 : 1	Not specified tolerance according to: DS/ISO 2768-m	Sheet size: A3
	Part No.: M102231	Material:	Surface properties: No	Sheet: 1 / 1
	Description 1: Cover front - Right side			
	Description 2:			

Revision:	Approved	Date:	Revision Description
1	MRH	07-07-2016	Made

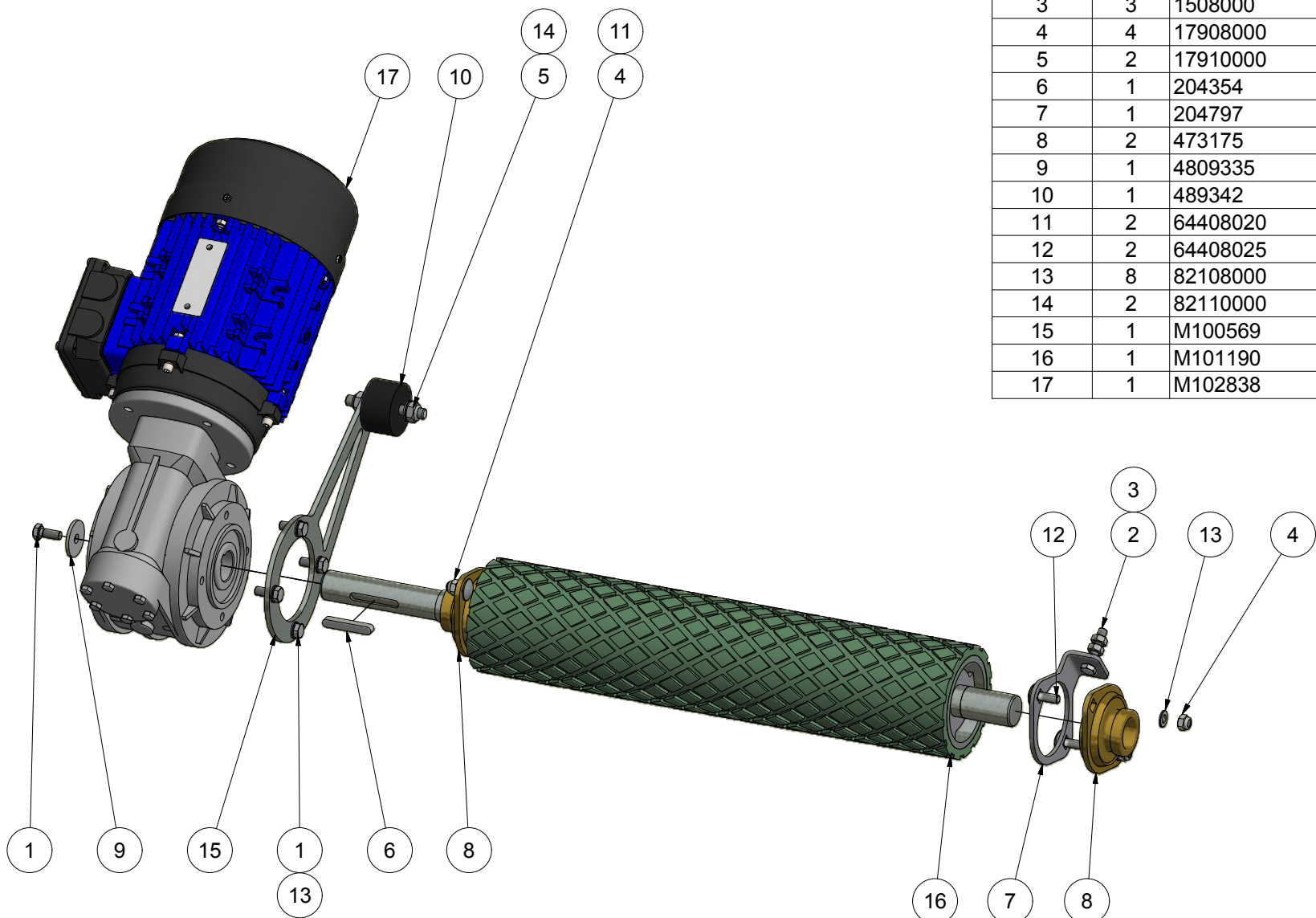
PARTS LIST			
ITEM	QTY	PART NUMBER	DESCRIPTION
1	2	7003208	Blind rivet Ø3.2x8 (4-5,5)
2	1	M10760	Cover front part 3
3	1	M12007	Front cover part 2 welded



Break all edges

<small>Alle afmetingen zijn afgelezen van de tekening en zijn niet gebaseerd op de werkdelen. Het is niet toegestaan te kopiëren of te verspreiden.</small> HEDENSTED GRUPPEN A/S	 HEDENSTED GRUPPEN	Scale: 1 : 1	Not specified tolerance according to: DS/ISO 2768-m	Sheet size: A3
	Part No.: M102234	Material:	Surface properties: No	Sheet: 1 / 1
	Description 1: Cover front - left side			
	Description 2:			

Revision:	Approved	Date:	Revision Description
1	MRH	07-07-2016	Made

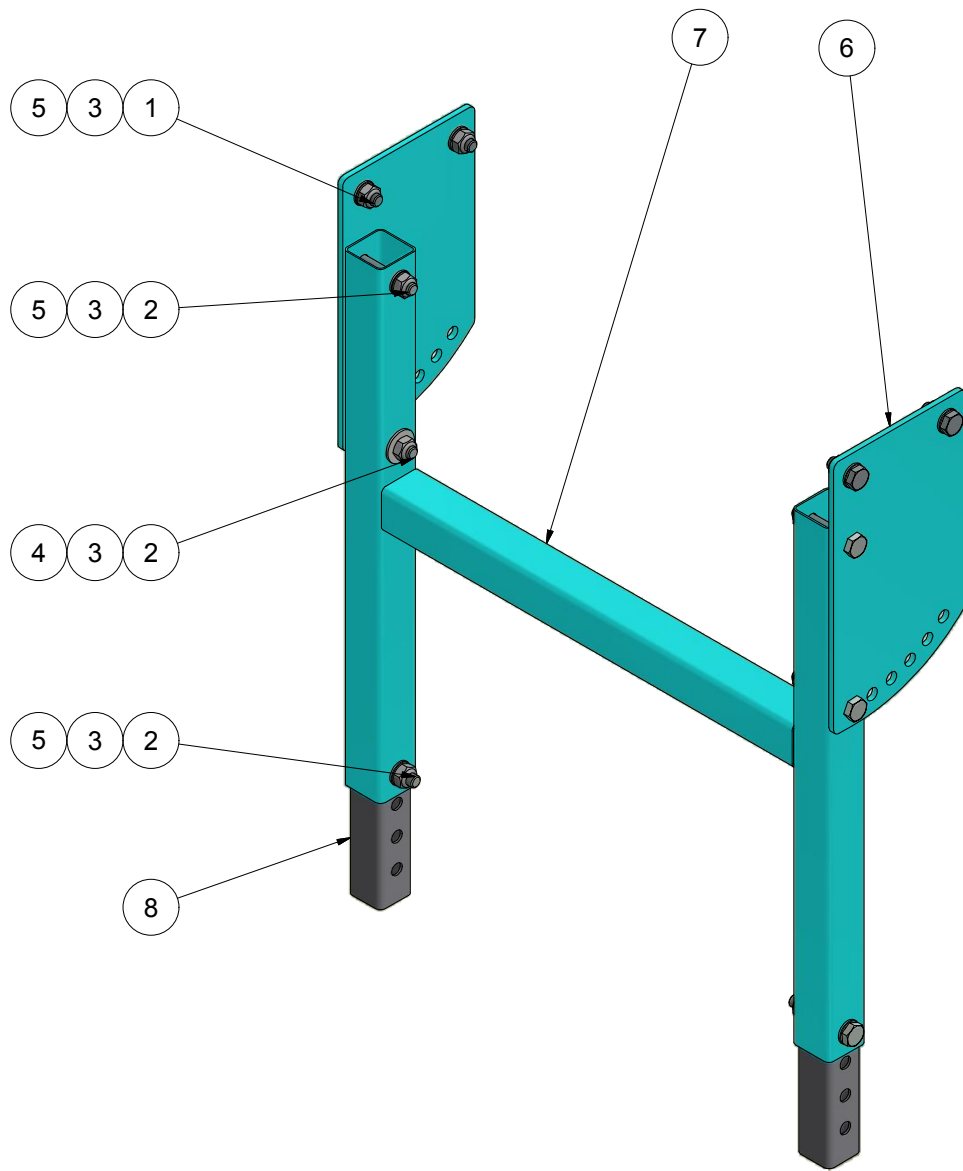


PARTS LIST			
ITEM	QTY	PART NUMBER	DESCRIPTION
1	5	11408020	Hexagon bolt M8x20 FZB
2	1	11408040	Hexagon bolt M8x40 FZB
3	3	1508000	Nut M8 FZB
4	4	17908000	Self-locking nut M8 FZB
5	2	17910000	Self-locking nut M10 FZB
6	1	204354	Key 8x7x50mm DIN-6885A
7	1	204797	Adjusting plate for bearing
8	2	473175	Y- bearing Oval plate Ø30
9	1	4809335	Washer SRKB Ø9x35x3 FZB
10	1	489342	Vibration absorber Ø50x30 - M10
11	2	64408020	Cup head square neck bolt M8x20 FZB
12	2	64408025	Cup head square neck bolt M8x25 FZB
13	8	82108000	Washer M8 FZB
14	2	82110000	Washer M10 FZB
15	1	M100569	Torque bracket for RMI70
16	1	M101190	Drive shaft ø108x490mm
17	1	M102838	Gearmotor 1,1kW 1400omdr.

Break all edges


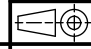
This drawing is the property of HEDENSTED GRUPPEN A/S. It is not to be copied, reproduced or disseminated to any third person.	HG HEDENSTED GRUPPEN		Scale: 1 : 4	Not specified tolerance according to: DS/ISO 2768-m	Sheet size: A3
	Part No.: M102833		Surface properties: No	Sheet: 1 / 1	
	Description 1: Motor assembly				
	Description 2:				

Revision:	Approved	Date:	Revision Description
1	KKS	21-08-2017	Made



PARTS LIST			
ITEM	QTY	PART NUMBER	DESCRIPTION
1	4	11410025	Hexagon bolt M10x25 FZB
2	6	11410060	Hexagon bolt M10x60 FZB
3	10	17910000	Self-locking nut M10 FZB
4	2	4811028	Washer SRKB Ø11x28x2 FZB
5	14	82110000	Washer M10 FZB
6	2	M101187	Bracket for leg
7	1	M102825	Fixed leg for conveyor
8	2	M103161	Telescopic leg for conveyor

Break all edges

This drawing is property of HEDENSTED GRUPPEN AS. It is not to be copied or disclosed to any third person. HEDENSTED GRUPPEN AS		Scale: 1:4	Not specified tolerance according to: DS/ISO 2768-m	Sheet size: A3
		Surface properties: No		Sheet: 1/1
	Part No.: M12574	Material:		
	Description 1: Leg assembly			
Description 2:				

Revision:	Approved	Date:	Revision Description
2	KKS	17-01-2018	Telescopic leg changed

Customer: Hedensted Gruppen A/S

Project: HG Conveyor 2015-01 600x2800mm

Hedensted Gruppen A/S
Vejlevej 15a
DK-8722 Hedensted
TLF: 75 89 12 44
FAX: 75 89 11 80



Ormhøjgårdvej 15
DK-8700 Horsens Tlf. 75641899

Project title: HG Conveyor 2015-01 600x2800mm		Filename: 150206
Customer: Hedensted Gruppen A/S		Case no.: 150206
Last printed: 25-03-2015	07:42:14	
Last checked: 06-02-2015 10:59:58		Page: A of 10

Index

Information	C
03-02-2015 12:39:54	
Declaration of incorporation	D
03-02-2015 12:39:58	
Main Circuit	1
03-02-2015 13:47:42	
	2
03-02-2015 12:40:58	
Cable list	10
03-02-2015 13:43:50	
Part list	11
03-02-2015 13:43:58	

VS AUTOMATIC

Ormhøjgårdvej 15
DK-8700 Horsens Tlf. 75641899

Project title: HG Conveyor 2015-01 600x2800mm

Customer: Hedensted Gruppen A/S

Filename: 150206

Last printed: 25-03-2015

07:42:14

Case no.: 150206

Last checked: 03-02-2015 13:47:48

Page: B

of 10

Information

WIRE IDENTIFICATION:

The wire is identified with the terminal number of the component.

WIRE COLOUR:

MAIN CIRCUIT: Phase Black
 Neutral Light blue

DC CONTROL CIRCUIT: 24VDC Dark blue
 0VDC White

THE FOLLOWING COLOUR ID IS TAKEN FROM DS/EN 60757

BK BLACK
BN BROWN
RD RD
OG ORANGE
YE YELLOW
GN GREEN
BU BLUE
VT VIOLET
GY GREY
WH WHITE
PK PINK

ALL SYMBOLS USED IS TAKEN FROM DS/EN 166

VS AUTOMATIC

Ormhøjgårdvej 15
DK-8700 Horsens Tlf. 75641899

Project: HG Conveyor 2015-01 600x2800mm

Customer: Hedensted Gruppen A/S

Last printed: 25-03-2015

07:42:14

Last checked: 03-02-2015 12:39:54

Case no.: 150206

Filename: 150206

Page: C

of 6

DECLARATION OF INCORPORATION

Directive 2006/42/EF, Annex II, B

Manufacturer

Firm: VS AUTOMATIC A/S
Address: Ormhøjgårdvej 15
DK-8700 Horsens
Phone: +45 75 64 18 99
Fax: +45 75 64 18 09
Email: info@vs-automatic.dk

Herewith declares that

Component: Controlpanel
Type: 150206
Year of manufator: 2015

is intended to be incorporated into machinery or to be assembled with other machinery to constitute machinery covered by Directive 2006/42/EC

does therefor not in every respect comply with the provisions of this directive
does comply with the provisions of the following other EC directives

EC directives

EC machine directive 89/392/EEC, as per 91/386/EEC, 93/68/EEC, 93/44/EEC

EC low-voltage directives 73/23/EEC, as per 93/68/EEC, 93/465/EEC

EC EMC directive 89/336/EEC as per 92/31/EEC, 93/68/EEC, 93/465/EEC

Harmonized standards

EN60204-1 Safety of Machinery Electrical Equipment of Machines

EN60439-1 Low-voltage switchgear and controlgear assemblies part 1: Type-tested and partially type-tested assemblies

And furthermore declares that it is not allowed to put the machinery into service until the machinery into which it is to be incorporated or of which it is to be a component has been found and declared to be in conformity with the provisions of Directive 98/37/EC and with national implementation legislation i.e. as a whole, including the machinery referred to in this declaration

Machine: HG Conveyor 2015-01 600x2800mm
Machine No.: 204308
Type: Year of manufacturer: 2015
Manufacturer: Hedensted Gruppen A/S

Identification of signature:

Firm: VS AUTOMATIC A/S
Address: Ormhøjgårdvej 15
DK-8700 Horsens

Date: Signature

25-03-2015

Torben Steffensen

VS AUTOMATIC

Tlf. 75 64 18 99 - vs-automatic.dk
En del af TS-GRUPPEN - Danmarks stærkeste El & Energi Installatør

Type: Hedensted Gruppen A/S

Project: HG Conveyor 2015-01 600x2800mm

File: 150206

Printed: 25-03-2015

07:42:14

Case no.: 150206

Changed: 06-02-2015 10:56:18

Page: D

of 10

