

HG

SPARE PARTS

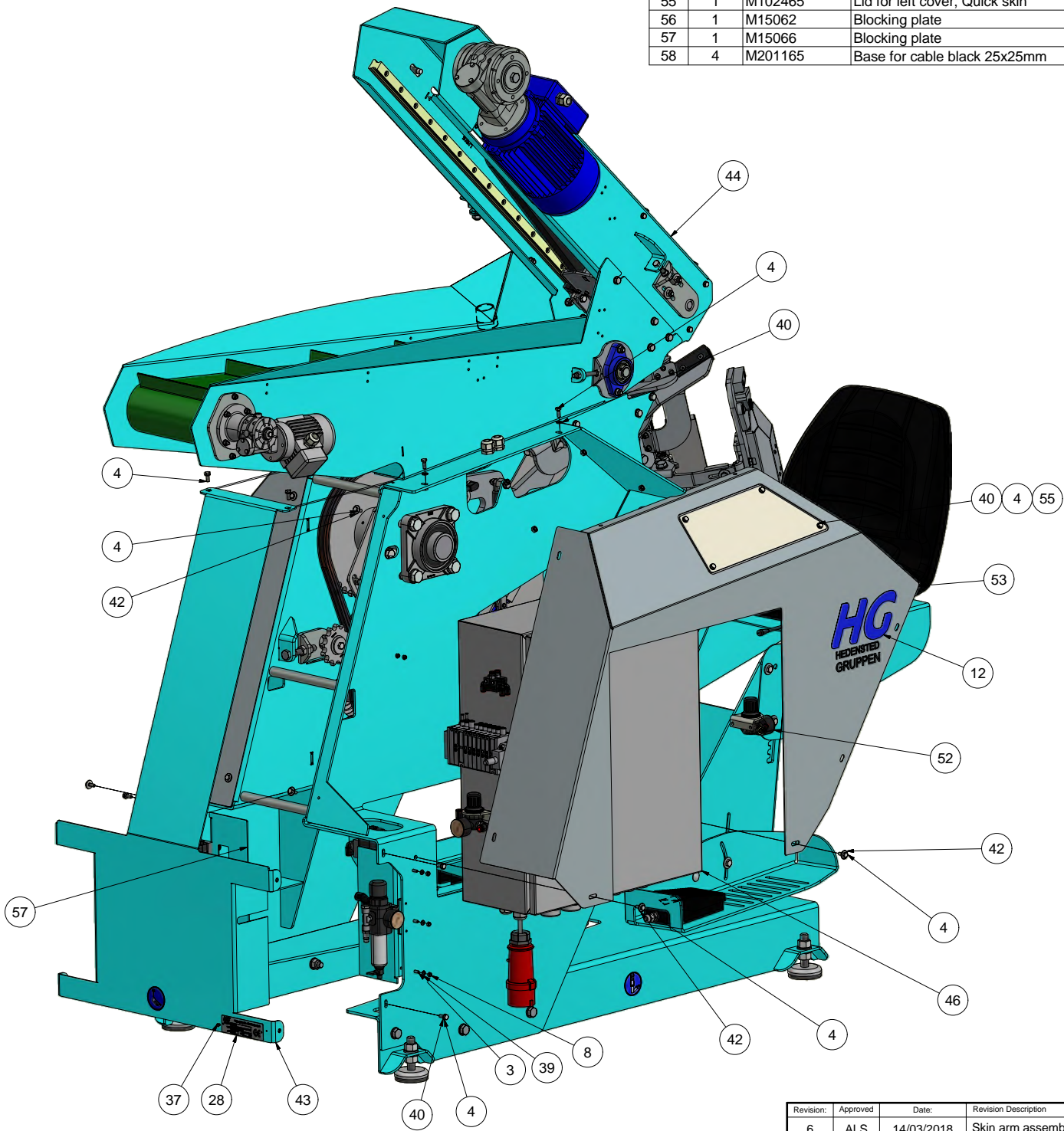


Quick Skin

1. Table of contents.

1. Table of content.
2. Spare parts.
3. Electric diagrams.
4. Air diagrams.

PARTS LIST				PARTS LIST			
ITEM	QTY	PART NUMBER	DESCRIPTION	ITEM	QTY	PART NUMBER	DESCRIPTION
55	1	M102465	Lid for left cover, Quick skin	1	4	10204016	Hexagon cylinder head M4x16 FZB
56	1	M15062	Blocking plate	2	2	11104040	Hexagon bolt M4x40 FZB
57	1	M15066	Blocking plate	3	6	11405020	Hexagon bolt M5x20 FZB
58	4	M201165	Base for cable black 25x25mm	4	29	11406016	Hexagon bolt M6x16 FZB
				5	2	11408016	Hexagon bolt M8x16 FZB
				6	2	11408065	Hexagon bolt M8x65 FZB
				7	6	17904000	Self-locking nut M4 FZB
				8	6	17905000	Self-locking nut M5 FZB
				9	2	17906000	Self-locking nut M6 FZB
				10	2	17908000	Self-locking nut M8 FZB
				11	1	181190	Headcutter angled 2017
				12	2	19767	HG Logo - big 205x108mm
				13	2	20405010	Hexagon countersunk head M5x10 FZB
				14	1	206694	Nut, panel mount 2962-89
				15	1	214180	C-Bracket M/P71273/3
				16	2	215405	Valve, shuttle 1/8"
				17	1	215550	Gauge 0-10 bar 1/8" < 40
				18	4	215760	Elbow swivel < 6 x 1/8"
				19	2	215900	Straight connector < 6 x 1/8"t
				20	20,0 m	216116	Air hose < 6mm PUR Red
				21	20,0 m	216118	Air hose < 6mm PUR Blue
				22	1,5 m	216124	Air hose < 8mm PUR Blue
				23	1,2 m	216126	Air hose < 10mm PUR White
				24	1	216204	Regulator 1/4" 0,3-10 bar
				25	1	216388	L-connector 1/4" x < 8 x < 8
				26	1	216537	Elbow swivel < 8 x 1/4"
				27	1	217010	Quick release coupling Socket 1/4" female
				28	1	30055	Id plate HG Quick skin
				29	1	524606	Carabiner hook
				30	3,5 m	600260	Cable JZ 4x1,0mm PVC
				31	7,5 m	600528	Cable OZ 4x0,75mm PVC
				32	0,7 m	600595	Spiral pipe SPS25
				33	6,5 m	600645	Cable CY-JZ 4x1,0mm PVC w/screen
				34	3	600830	Cable w. elbow plug M12 4P 5M
				35	14,5 m	601000	Cable OZ 2x0,75mm PVC
				36	5,5 m	601005	Cable JZ 12x0,75mm PVC
				37	2	7003208	Blind rivet < 3.2x8 (4-5,5)
				38	10	82104000	Washer M4 FZB
				39	12	82105900	Washer M5 FZB
				40	18	82106000	Washer M6 FZB
				41	6	82108000	Washer M8 FZB
				42	13	82606000	Washer < 6,4x18x1,6 FZB
				43	1	M100613	Back cover assembly
				44	1	M100711	Body pull + seat assembly
				45	1	M100719	headcutter assembly
				46	1	M100728	Electrical box assembly
				47	1	M100741	Ramp valve AV03x8-DSUB25
				48	1	M100767	Soft-starter assembly
				49	1	M100775	Stickers for 206330
				50	1	M100818	Headcutter base plate
				51	2	M100819	Bush for base
				52	1	M100821	Regulator unit
				53	1	M100879	Left cover
				54	1	M100880	Right cover

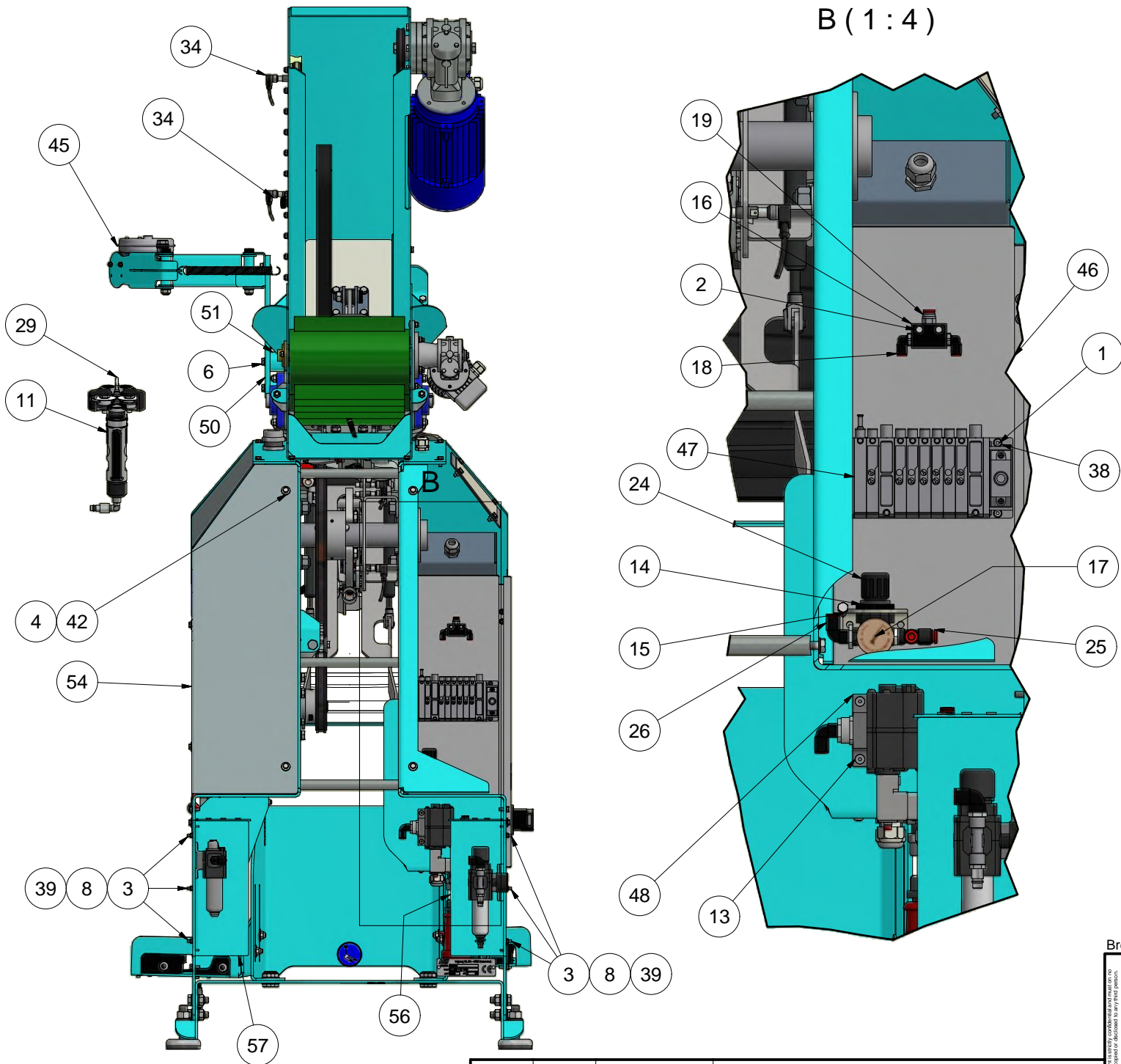


Revision	Approved	Date	Revision Description
6	ALS	14/03/2018	Skin arm assembly changed

Break all edges


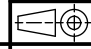
	Scale:	1:6	Not specified tolerance according to:	DS/ISO 2768-m	Sheet size:	A2
	Surface properties:		No		Sheet:	1 / 3
Part No:	206330					
Description 1:	HG Quick Skin 14					
Description 2:	Incl. pneumatic knife.					

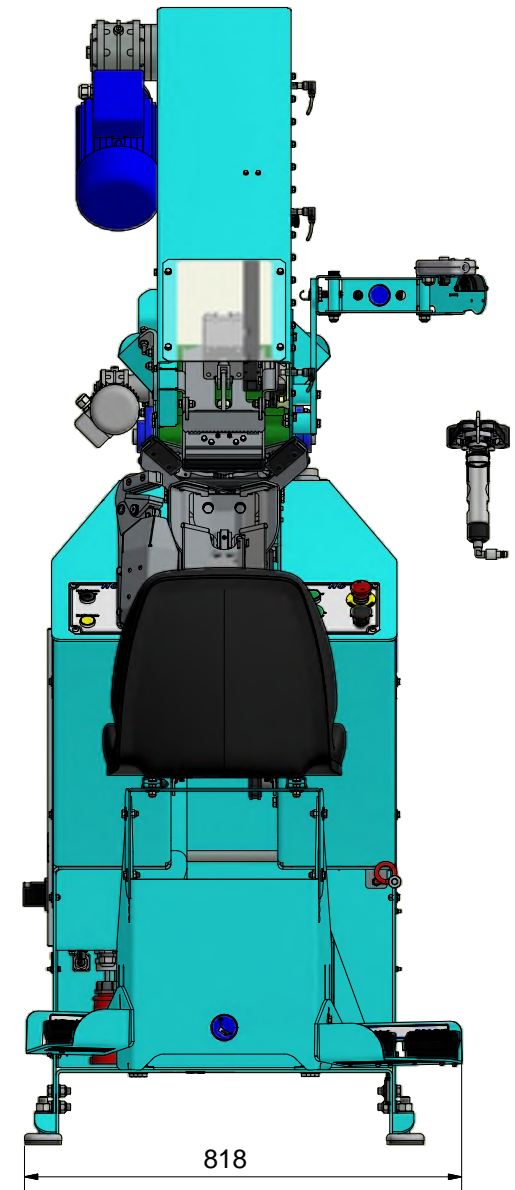
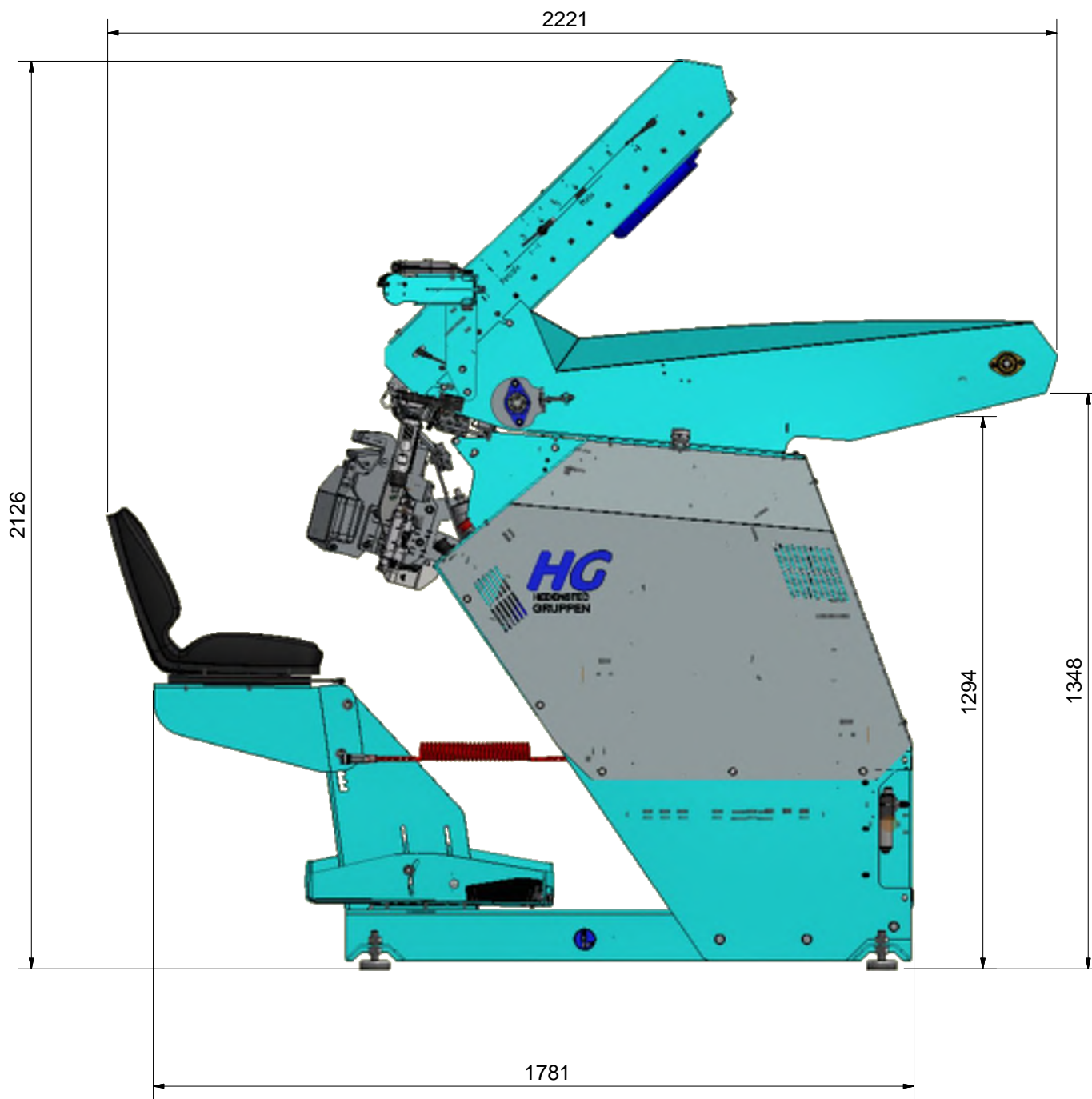
B (1:4)



Revision:	Approved	Date:	Revision Description
6	ALS	14/03/2018	Skin arm assembly changed


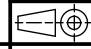
Break all edges

The drawing is a technical drawing and is not to be used for manufacturing purposes without the approval of the manufacturer.		Scale: 1:6	Not specified tolerance according to: DS/ISO 2768-m	Sheet size: A3
		Material:	Surface properties: No	Sheet: 2/3
	Part No.: 206330	Description 1: HG Quick Skin 14 Description 2: Incl. pneumatic knife.		



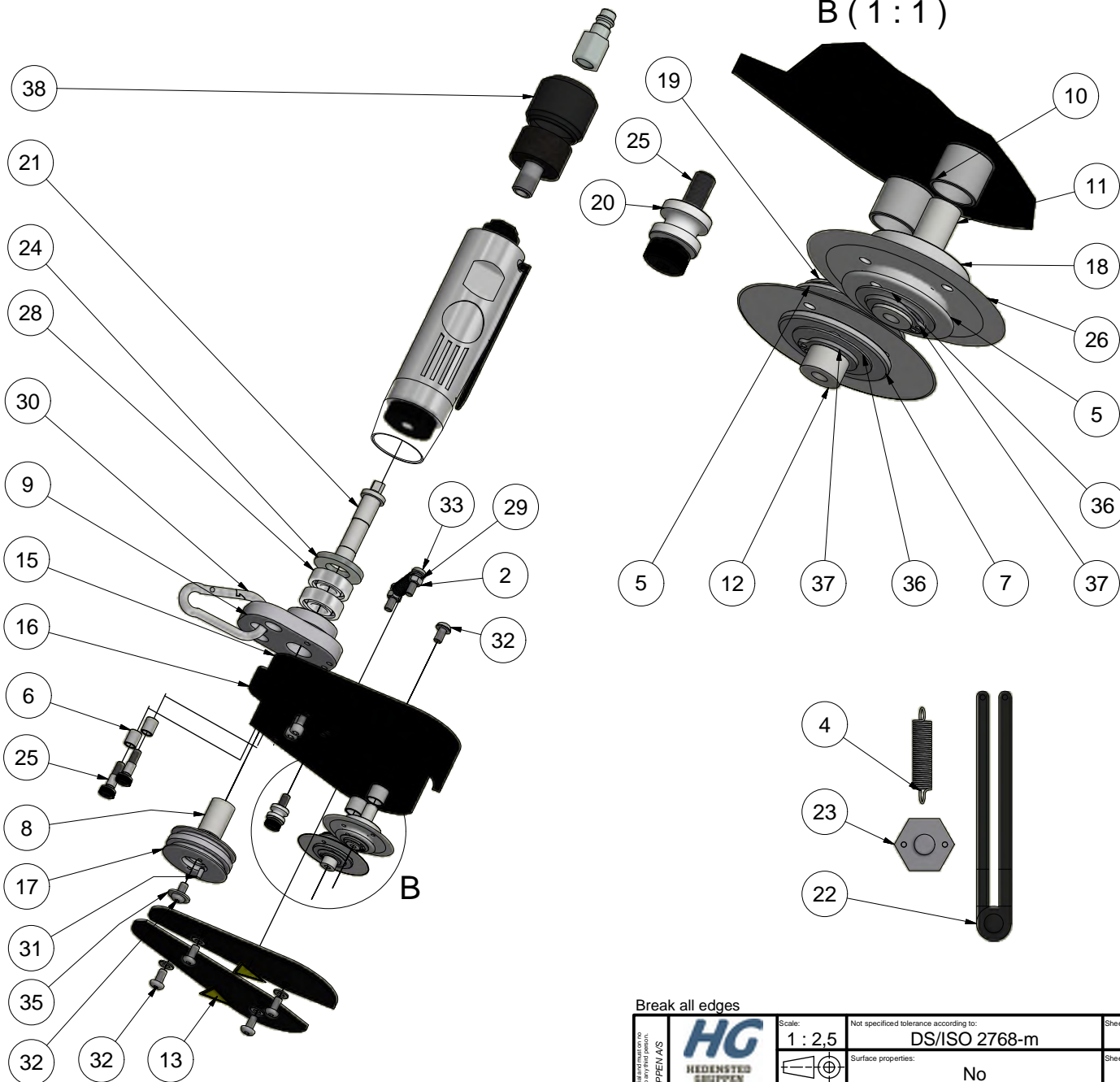
Revision:	Approved	Date:	Revision Description
6	ALS	14/03/2018	Skin arm assembly changed

Break all edges

<small>Alle afmetingen zijn afgelezen van de tekening en kunnen afwijken van de werkelijke afmetingen. Het is aan de gebruiker te verantwoorden.</small> HEDENSTED GRUPPEN A/S	 HG HEDENSTED GRUPPEN	Scale: 1:6	Not specified tolerance according to: DS/ISO 2768-m	Sheet size: A3
		Surface properties: No	Sheet: 3/3	
Part No.: 206330		Material:		
Description 1: HG Quick Skin 14				
Description 2: Incl. pneumatic knife.				

PARTS LIST

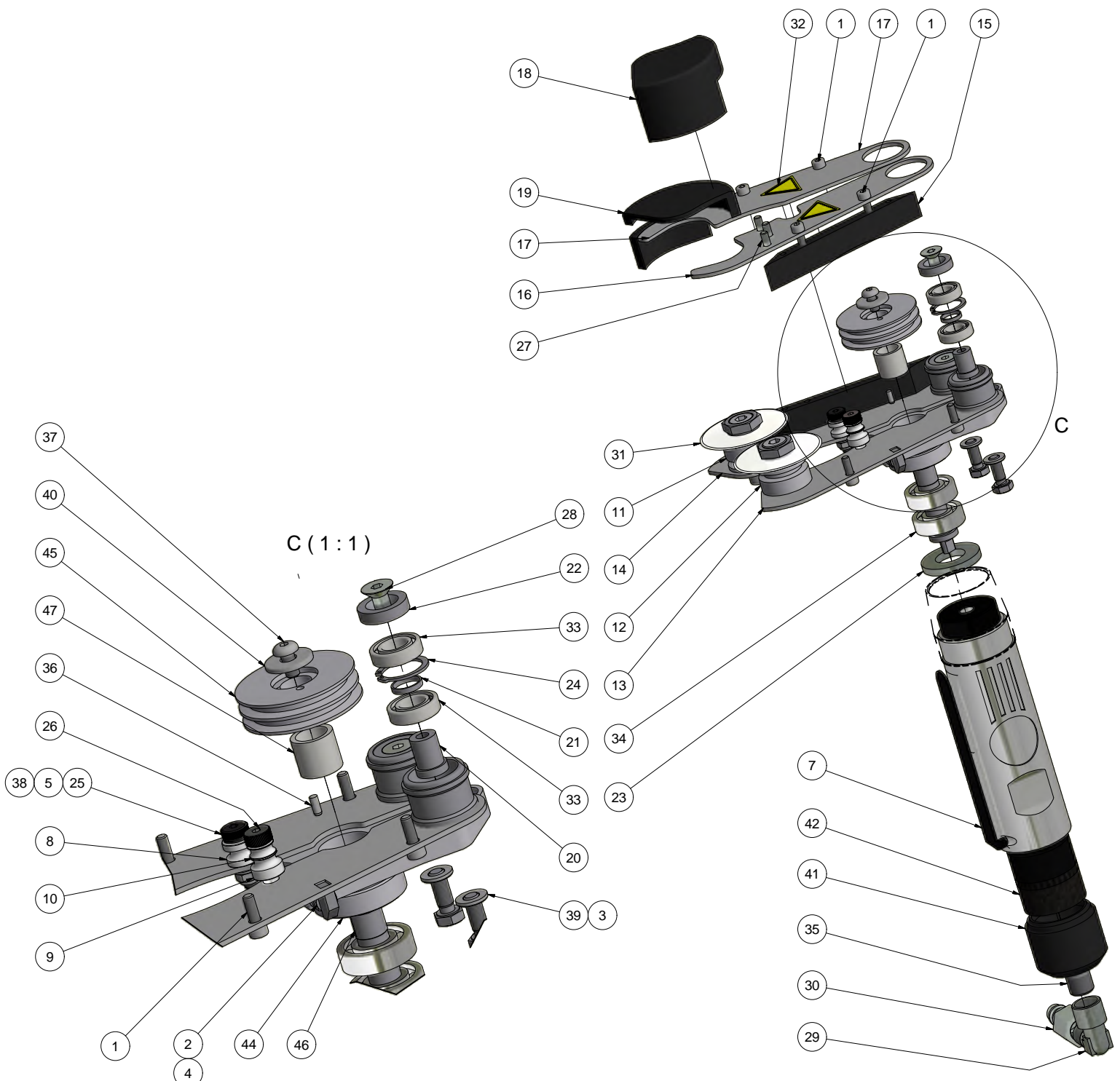
ITEM	QTY	PART NUMBER	DESCRIPTION
1	2	10205010	Hexagon cylinder head M5x10 FZB
2	2	1505000	Nut M5 FZB
3	2	181210	Belt for head cutter 265mm
4	1	181222	Expansion spring < 0,8 D8,5 L44
5	2	181225	Pulley for knife
6	2	181228	Slide bushing < 6x< 8x10mm
7	2	181230	Threaded bush f/knife
8	1	181235	Spacer f/ pulleys
9	1	181240	Bottom piece angle
10	2	181242	Slide Bushing < 10x< 12x10
11	1	181245	Axel for knife
12	1	181250	Long axel for knife
13	2	181255	Cover
14	1	181262	Ingersoll airmotor
15	1	181265	Left arm for knife
16	1	181270	Right arm for knife
17	1	181275	Pulley f/ motor
18	1	181280	Bush f/ knife
19	1	181285	Low bush f/ knife
20	1	181295	Circulation wheel
21	1	181300	Motor shaft angle
22	1	181330	Adjust. pin wrench 7-40mm, $\alpha 2,5\text{mm}$
23	1	181335	Tool for knife
24	1	181418	Spacer for ingersoll airmotor
25	3	20205010	Fitting bolt M5-6x10
26	2	206060-Y	Knife for slicing machine 50mm
27	2	31000	Warning Sign rotating knives
28	2	473015	Bearing < 12x< 28x8
29	1	50621045	Expansion spring < 1 D9 L45
30	1	524606	Carabiner hook
31	1	65803008	Pin cylinder < 3x8
32	7	76005010	Buttonhead bolt M5x10 FZB
33	2	76005016	Buttonhead bolt M5x15 FZB
34	6	82105900	Washer M5 FZB
35	1	82605000	Washer < 5,3x15x1,2 FZB
36	4	88710050	Shim washer < 10x16x0,5
37	2	89710000	Seeger ring for shaft < 10
38	1	M101006	Suppressor for head cutter



Break all edges

The drawing is a technical drawing and is not to be used for manufacturing purposes without the approval of the manufacturer.		Scale: 1 : 2,5	Not specified tolerance according to: DS/ISO 2768-m	Sheet size: A3
		Surface properties: No		Sheet: 1 / 2
	Part No.: 181197	Material:		
	Description 1: Headcutter with. Intersoll	Description 2: Headcutter Angel		

Revision:	Approved	Date:	Revision Description
2	KL	23-05-2017	Tools for knife added



PARTS LIST			
ITEM	QTY	PART NUMBER	DESCRIPTION
1	8	10204012	Hexagon cylinder head M4x12 FZB
2	2	11405012	Hexagon bolt M5x12 FZB
3	2	12906016	Hexagon bolt M6x16 A2
4	2	1505000	Nut M5 FZB
5	2	17905000	Self-locking nut M5 FZB
6	2	181210	Belt for head cutter 265mm
7	1	181262	Ingersoll airmotor
8	1	181295	Circulation wheel
9	1	181297	Circulation wheel
10	1	181298	Circulation wheel
11	1	181352	Pulley f/right knife complete
12	1	181354	Pulley f/left knife complete
13	1	181355	Left arm
14	1	181360	Right arm
15	2	181365	Spacer for cover shield
16	1	181370	Plate for left cover shield
17	1	181375	Plate for right cover shield
18	1	181380	Left cover shield
19	1	181385	Right cover shield
20	2	181395	Shaft for bearing
21	2	181400	Spacer for bearing
22	2	181405	Washer for bearing
23	1	181418	Spacer for ingersoll airmotor
24	2	181440	Seeger ring for hole < 19
25	1	20205010	Fitting bolt M5-6x10
26	1	20205016	Fitting bolt M5-6x16
27	6	20404010	Hexagon countersunk head M4x10 FZB
28	2	20406012	Hexagon countersunk head M6x12 FZB
29	1	216358	Elbow 1/4"t x 1/4" (M/F)
30	1	217040	Quick release coupling Plug 1/4" female
31	2	222348	Knife 50 mm< for Easy Skin
32	2	31000	Warning Sign rotating knives
33	4	473002	Bearing < 10x< 19x5
34	2	473015	Bearing < 12x< 28x8
35	1	47730	Nipple galvanized. 1/4 "x 30
36	1	65803008	Pin cylinder < 3x8
37	1	76005010	Buttonhead bolt M5x10 FZB
38	2	82105900	Washer M5 FZB
39	2	82106000	Washer M6 FZB
40	1	83506000	Washer < 6,4x18x1,6 A2
41	1	M101003	Suppressor cap
42	1	M101007	Filter for suppressor - Rough
43	1	M101008	Filter for suppressor - Fine
44	1	M101745	Bottom piece angle
45	1	M102313	Pulley f/ gear
46	1	M102314	Motor shaft angle
47	1	M102315	Spacer f/ pulleys ø2,2 x 16 x 14,3mm

Break all edges

	Scale:	1 : 1,5	Not specified tolerance according to:	DS/ISO 2768-m	Sheet size:	A2
	Surface properties:			No	Sheet:	1 / 2
Part No.:	181190					
Description 1:	Headcutter angled 2017					
Description 2:						

Revision	Approved	Date	Revision Description
1	KL	05-12-2016	Made

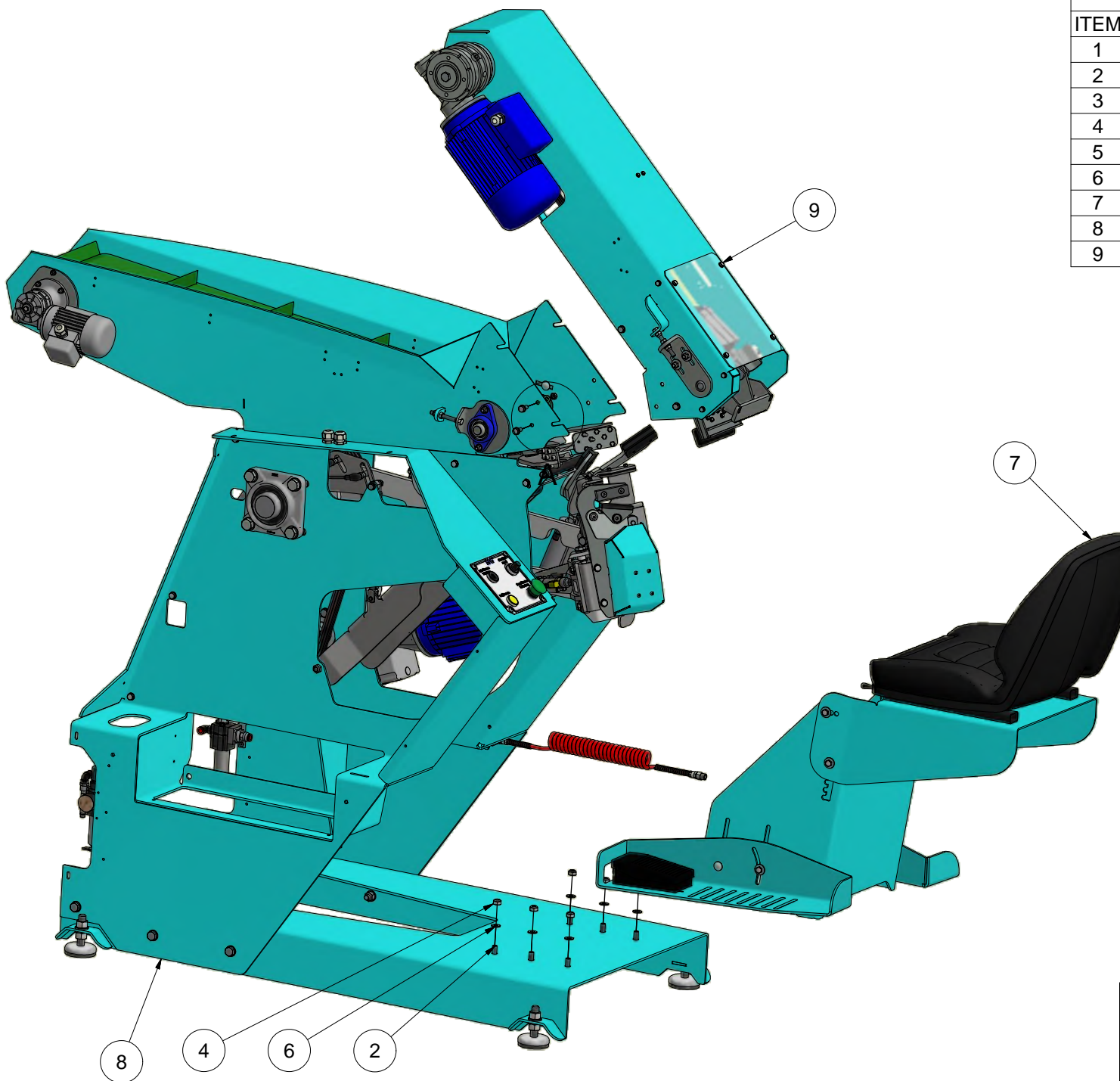


Correct belt mount



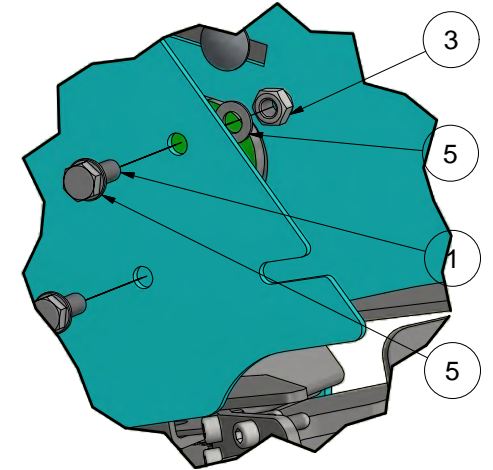
Break all edges			
 <small>HERKULES GROUP A/S</small>	Scale:	Not specified tolerance according to:	Sheet size:
	1 : 1,5	DS/ISO 2768-m	A2
<small>Part No.:</small> 181190	 <small>Surface properties:</small> No	<small>Material:</small>	Sheet:
			2 / 2
<small>Description 1:</small> Headcutter angled 2017			
<small>Description 2:</small>			

Revision:	Approved	Date:	Revision Description
1	KL	05-12-2016	Made



PARTS LIST			
ITEM	QTY	PART NUMBER	DESCRIPTION
1	2	11408020	Hexagon bolt M8x20 FZB
2	6	11410025	Hexagon bolt M10x25 FZB
3	2	17908000	Self-locking nut M8 FZB
4	6	17910000	Self-locking nut M10 FZB
5	4	82108000	Washer M8 FZB
6	12	82110000	Washer M10 FZB
7	1	M100703	Seat consol assembly
8	1	M100710	Conveyor + Panel assembly
9	1	M100862	Bodypull assembly 15

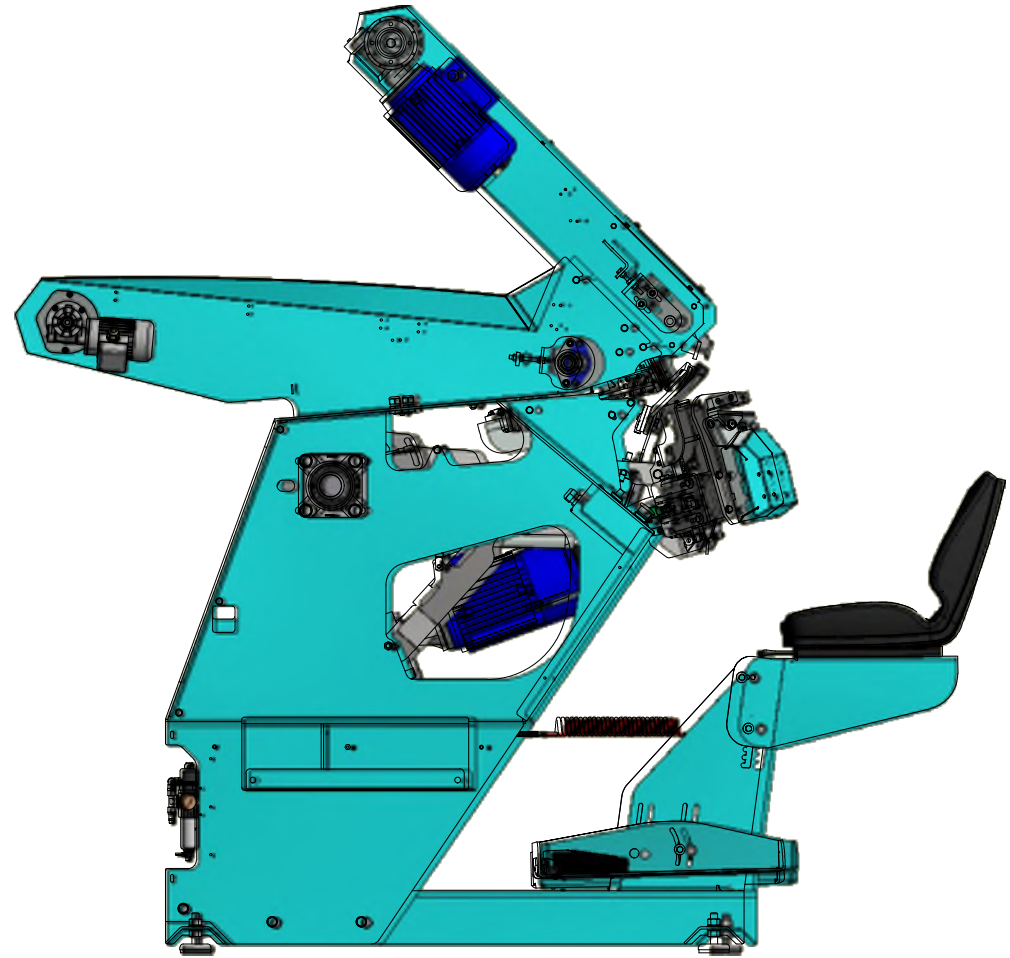
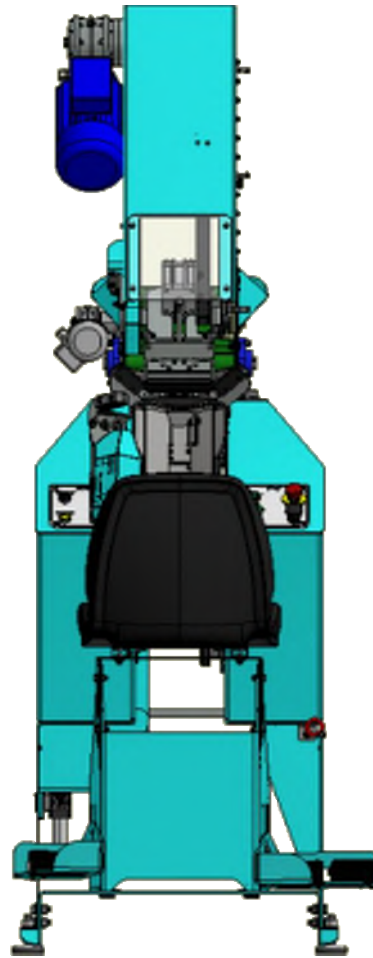
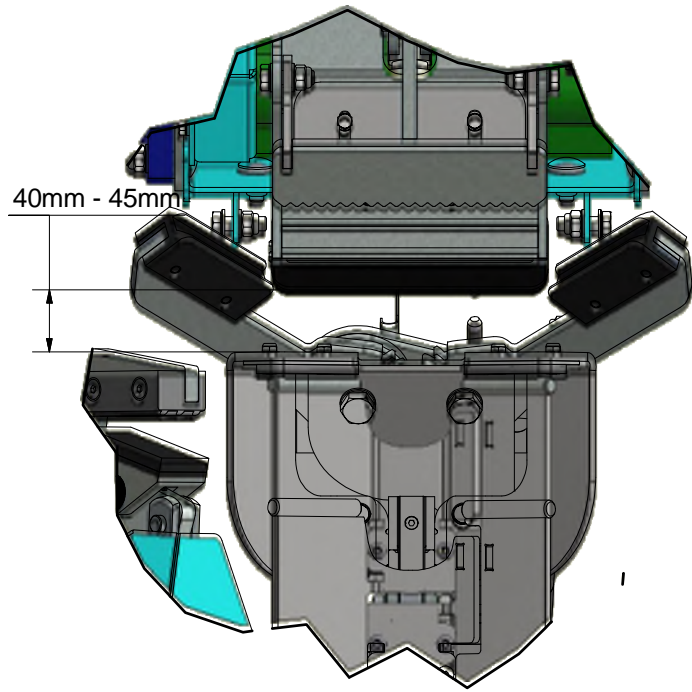
A (1 : 2)




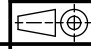
Break all edges

HG HEDENSTED GRUPPEN A/S	Scale:	Not specified tolerance according to:	Sheet size:
	1 : 9	DS/ISO 2768-m	A3
	Surface properties:	No	Sheet:
			1 / 2
Part No.:	Material:		
M100711			
Description 1:	Body pull + seat assembly		
Description 2:	HG Quick Skin		

Revision:	Approved	Date:	Revision Description
3	ALS	14/03/2018	Skin arm assembly changed

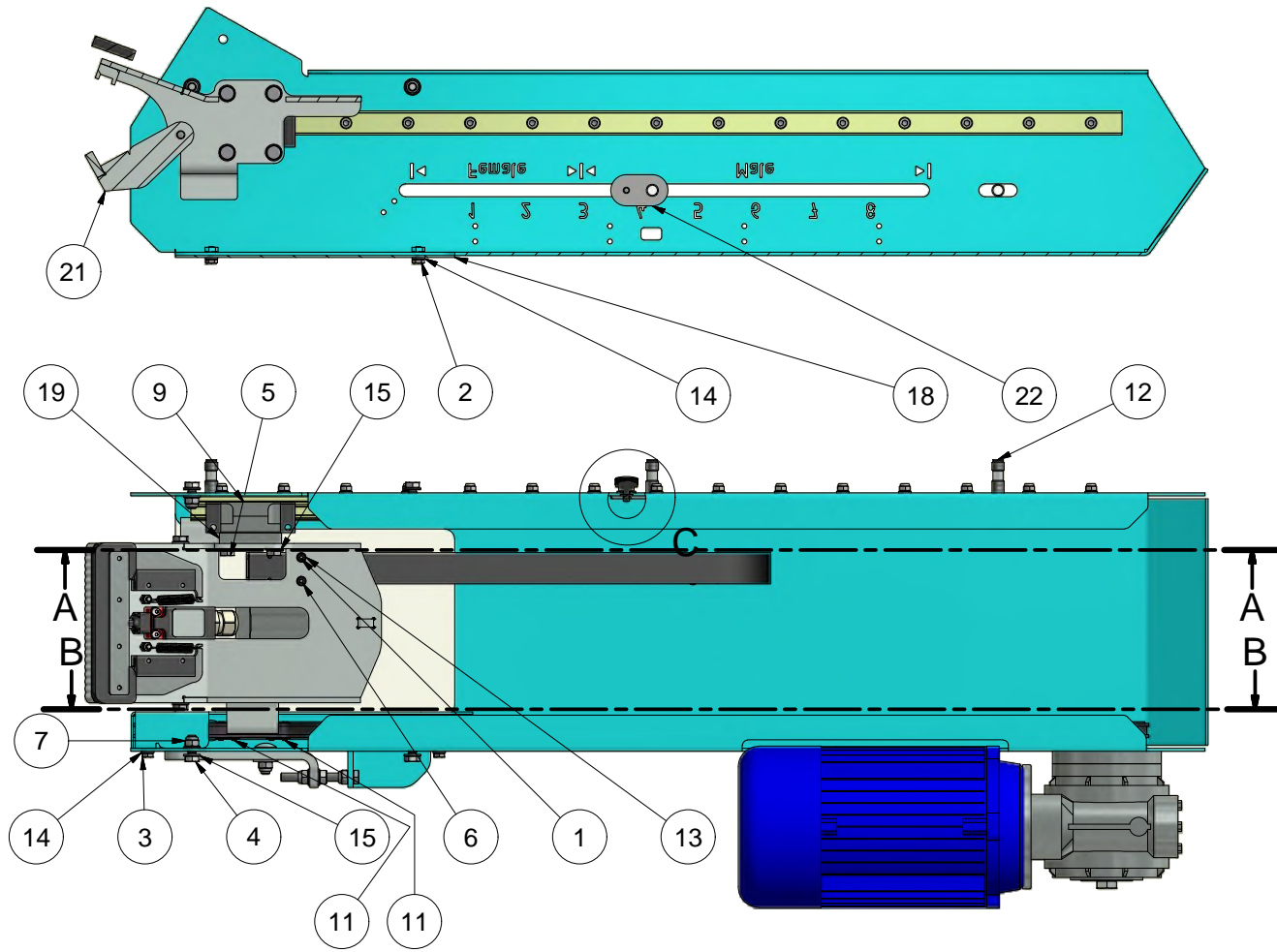


Break all edges

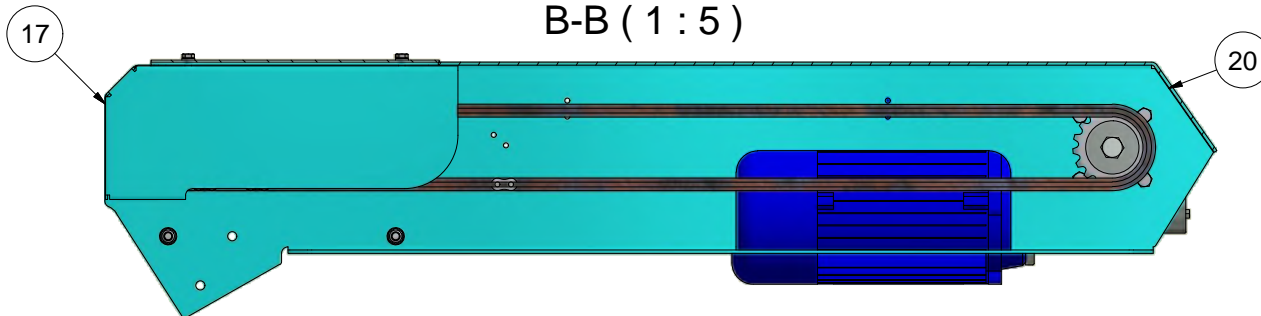
<small>Alle Maßangaben sind in mm anzunehmen, es sei denn, es ist anders angegeben. HEDENSTED GRUPPEN A/S</small>	 HG HEDENSTED GRUPPEN	Scale: 1 : 9	Not specified tolerance according to: DS/ISO 2768-m	Sheet size: A3
		Surface properties: No	Sheet: 2 / 2	
	Part No.: M100711	Material:		
	Description 1: Body pull + seat assembly	Description 2: HG Quick Skin		

Revision:	Approved	Date:	Revision Description
3	ALS	14/03/2018	Skin arm assembly changed

A-A (1 : 5)



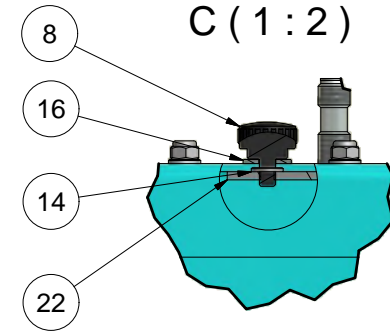
B-B (1 : 5)



PARTS LIST

ITEM	QTY	PART NUMBER	DESCRIPTION
1	2	11104040	Hexagon bolt M4x40 FZB
2	4	11406012	Hexagon bolt M6x12 FZB
3	3	11406016	Hexagon bolt M6x16 FZB
4	4	11408020	Hexagon bolt M8x20 FZB
5	4	11408025	Hexagon bolt M8x25 FZB
6	2	17904000	Self-locking nut M4 FZB
7	4	17908000	Self-locking nut M8 FZB
8	1	206681	Finger screw B193-20 P M6x10
9	1	222300	Ball runner block size 25
10	1,95 m	421361	Roller chain 1/2x5/16
11	2	421363	Chain assembly 1/2" 5/16
12	3	601330	Induktion sensor M12 w. socket
13	3	82104000	Chamfered Washer M4 FZB
14	8	82106000	Chamfered Washer M6 FZB
15	12	82108000	Chamfered Washer M8 FZB
16	1	82606000	Washer < 6,4x18x1,6
17	1	M100645	Chain cover assembly
18	1	M100687	Screen for body pull
19	1	M100690	Spacer for bodyclamp
20	1	M100863	Bodypull subsassembly
21	1	M100864	Leg clamp assembly 15
22	1	M100868	Sensor plate f. 15

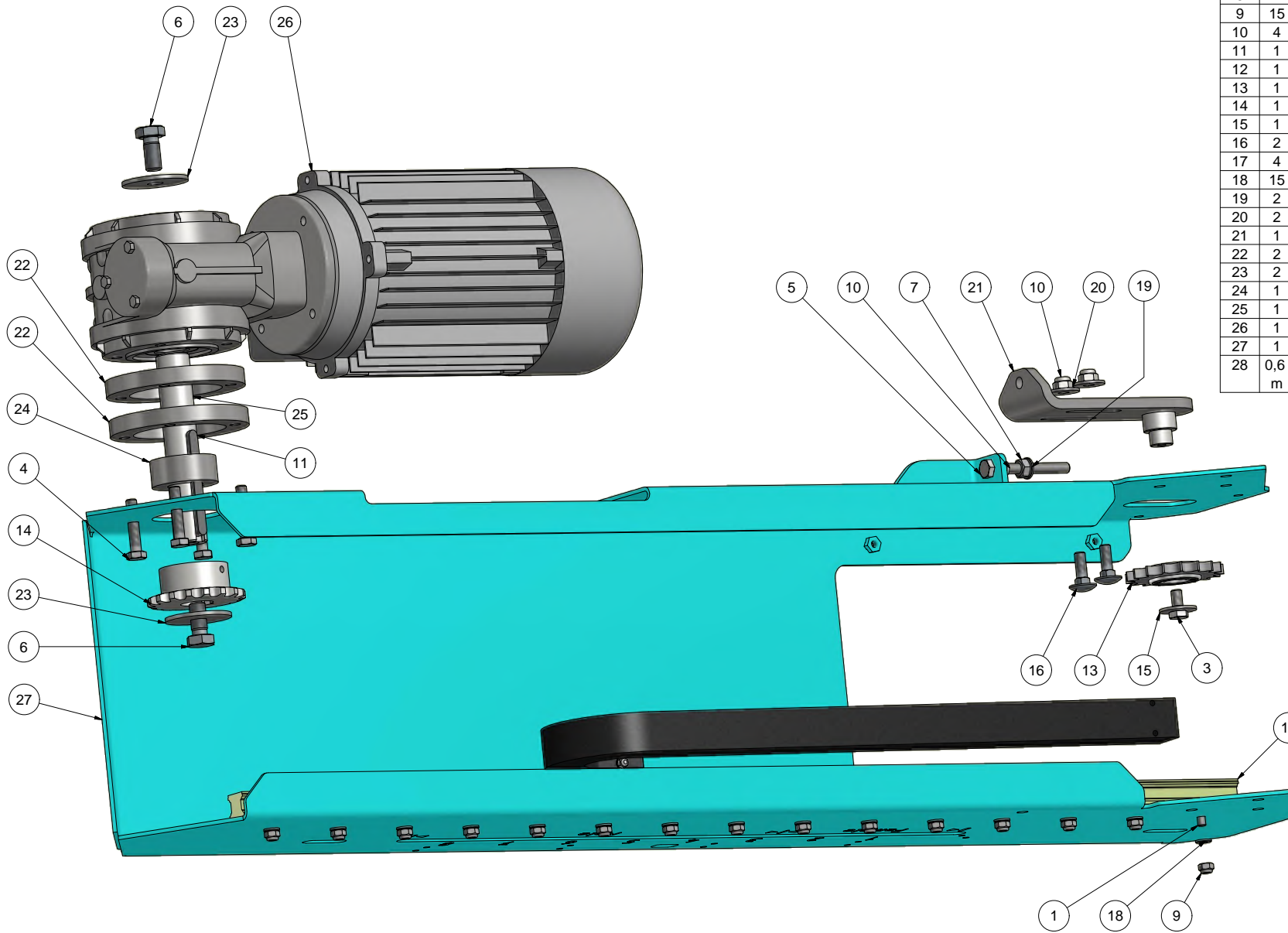
C (1 : 2)



Break all edges

The data on this drawing is the property of HEDENSTEDT GRUPPEN A/S and is not to be copied, disseminated or used in any form without the prior written consent of HEDENSTEDT GRUPPEN A/S.		Scale: 1 : 5	Not specified tolerance according to: DS/ISO 2768-m	Sheet size: A3	
		Surface properties: No		Sheet: 1 / 2	
	Part No.: M100862	Material:			
	Description 1: Bodypull assembly 15	Description 2: HG quick skin 14			

Revision:	Approved	Date:	Revision Description
1	HG	28-09-2015	Revision changed to numeric

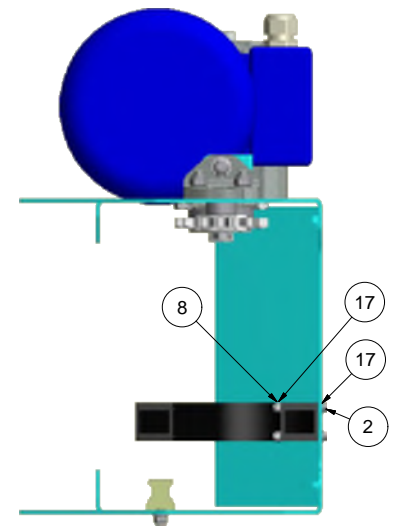
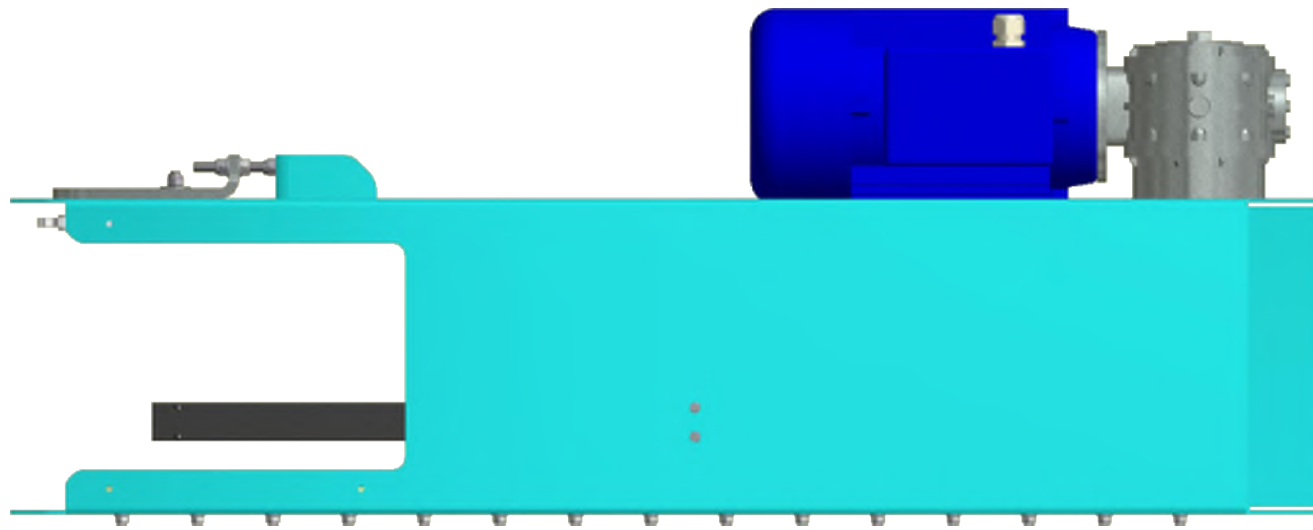


PARTS LIST			
ITEM	QTY	PART NUMBER	DESCRIPTION
1	15	10206025	Hexagon cylinder head M6x25 FZB
2	2	11104040	Hexagon bolt M4x40 FZB
3	1	11408016	Hexagon bolt M8x16 FZB
4	4	11408040	Hexagon bolt M8x40 FZB
5	1	11408070	Hexagon bolt M8x70 FZB
6	2	11412025	Hexagon bolt M12x25 FZB
7	1	1508000	Nut M8 FZB
8	2	17904000	Self-locking nut M4 FZB
9	15	17906000	Self-locking nut M6 FZB
10	4	17908000	Self-locking nut M8 FZB
11	1	204796	Key 8x7x80mm DIN-6885A
12	1	207987	Ball guide rail size 25-900
13	1	221690	Chain wheel 1/2" x 17t. < 17mm
14	1	421325	Chain wheel 1/2" Z17 < 25
15	1	4809028	Washer SKRB < 9x28x2
16	2	64408025	Cup head square neck bolt M8x25 FZB
17	4	82104000	Chamfered Washer M4 FZB
18	15	82106000	Chamfered Washer M6 FZB
19	2	82108000	Chamfered Washer M8 FZB
20	2	82608000	Washer ø8x24x2 DIN9021A
21	1	M100615	Chain tensionser TOP
22	2	M100617	Motor flange
23	2	M100624	Motor washer
24	1	M100667	Spacer for top motor
25	1	M100674	Top motor shaft
26	1	M100745	Gearmotor RMI50P-0,75kw 1400
27	1	M100829	Cover for body pull
28	0,6	M200327	Energi chain kolibri 30x30mm

Break all edges

	Scale:	1 : 2,2	Not specified tolerance according to:	DS/ISO 2768-m	Sheet size:	A2
	Surface properties:	Ⓢ	No		Sheet:	1 / 2
Part No.:	M100863					
Description 1:	Bodypull subsassemblies					
Description 2:	HG quick skin 14					

Revision:	Approved:	Date:	Revision Description:
1	HG	28-09-2015	Revision changed to numeric



Break all edges

	Scale:	Not specified tolerance according to:	Sheet size:
	1 : 2,2	DS/ISO 2768-m	A2
		Surface properties:	Sheet:
	No	2 / 2	
Part No.:	Material:		
M100863			
Description 1:	Bodypull subsassemblies		
Description 2:	HG quick skin 14		

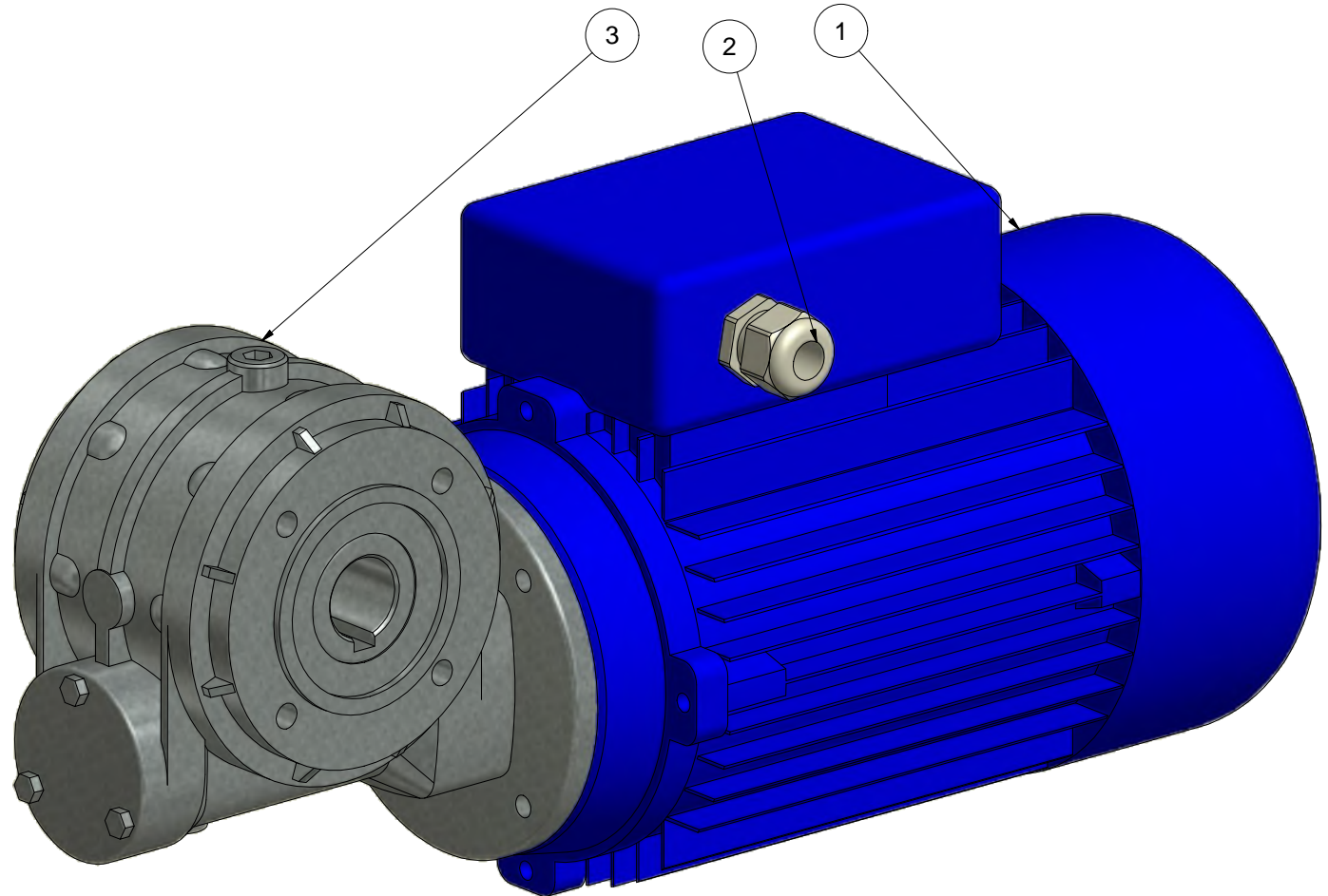
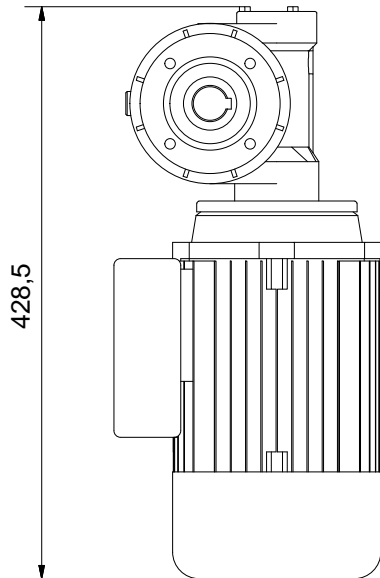
Revision:	Approved	Date:	Revision Description
1	HG	28-09-2015	Revision changed to numeric

Product data:


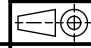
Gear: STM- RMI50P
 Ratio: 1:15
 Flange: IEC 80 B14
 Hole: $\varnothing 25H7$
 Mounting: M2/M4 (oil level)
 Motor: 0,75kW 1400rpm IEC80 B14 230/400V
 Breake: 230V activation

- The motor runs with frequency converter -

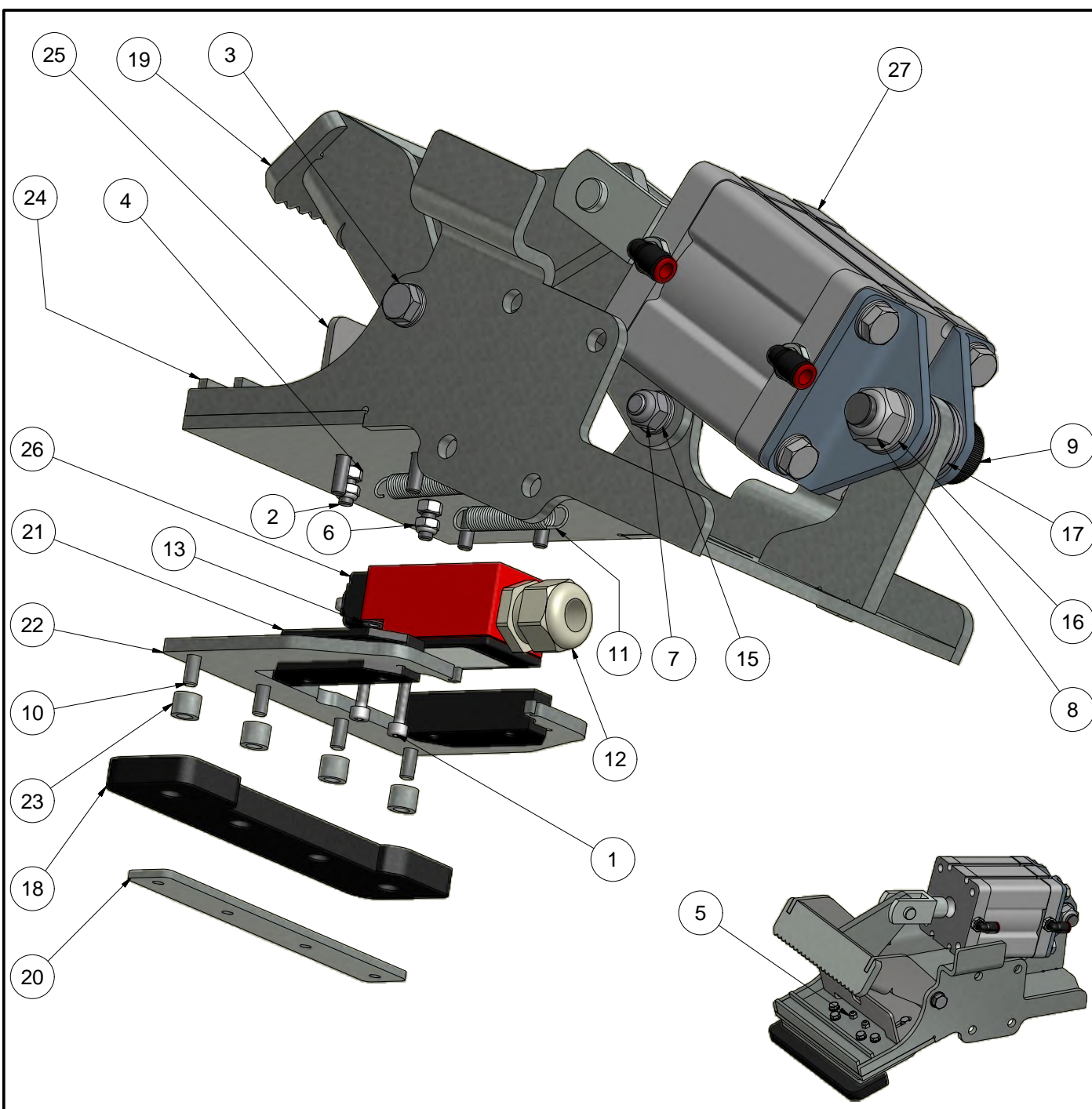
PARTS LIST			
ITEM	QTY	PART NUMBER	DESCRIPTION
1	1	30296	Motor T80B4BRB14B100 w/Breake
2	1	600455	Cabel gland M20 < 5-12
3	1	M100740	Gear - RMI50/P/80B14/D25/i15



Break all edges

The data in this drawing is subject to change without notice. HG reserves the right to change the design of its products without notice.			Scale: 1 : 1,5	Not specified tolerance according to: DS/ISO 2768-m	Sheet size: A3	
			Surface properties: No		Sheet: 1/1	
	Part No.: M100745		Material:			
	Description 1: Gearmotor RMI50P-0,75kw 1400					
Description 2: HG quick skin 14						

Revision:	Approved	Date:	Revision Description
1	HG	28-09-2015	Revision changed to numeric



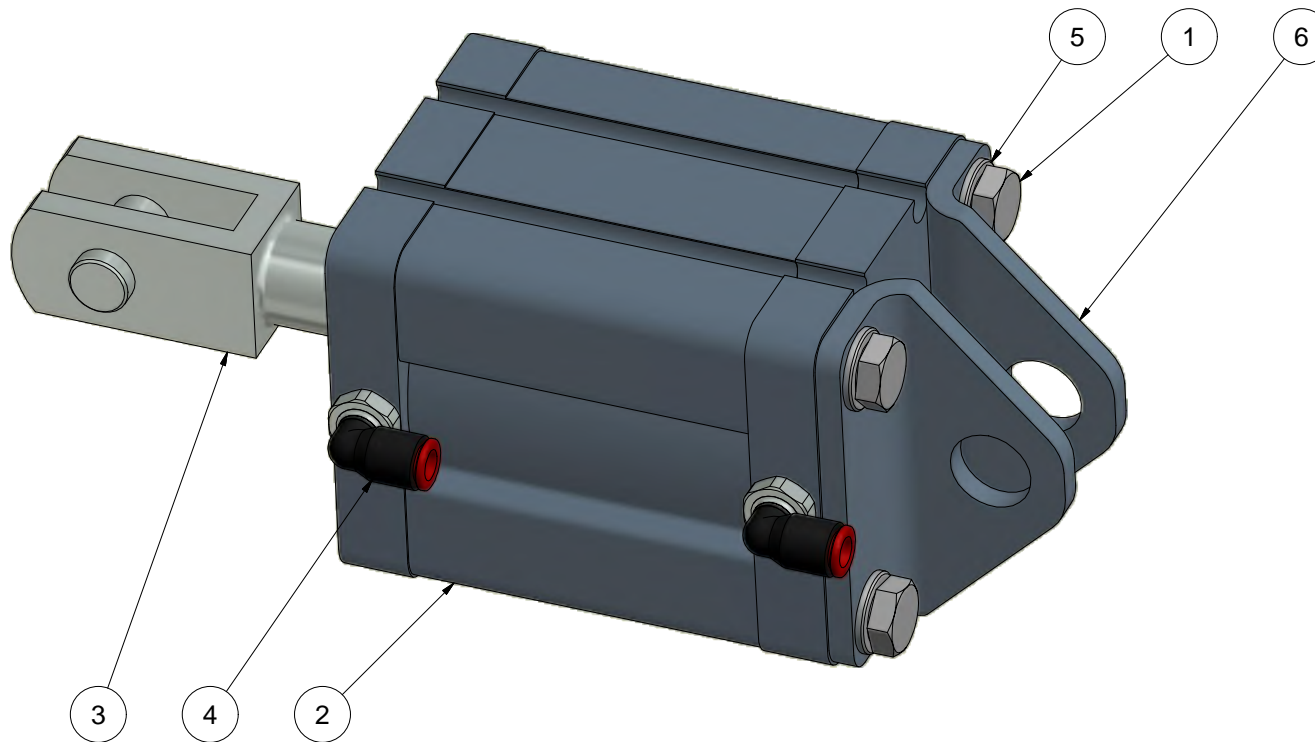
PARTS LIST			
ITEM	QTY	PART NUMBER	DESCRIPTION
1	2	10204030	Hexagon cylinder head M4x30 FZB
2	6	11405020	Hexagon bolt M5x20 FZB
3	2	11408025	Hexagon bolt M8x25 FZB
4	2	1505000	Nut M5 FZB
5	2	17904000	Self-locking nut M4 FZB
6	2	17905000	Self-locking nut M5 FZB
7	2	17908000	Self-locking nut M8 FZB
8	1	17912000	Self-locking nut M12 FZB
9	1	20212030	Fitting bolt M12-16x30mm
10	4	20405016	Hexagon countersunk head M5x16 FZB
11	2	50621045	Extension spring 1-9x45
12	1	600455	Cabel gland M20 < 5-12
13	2	82104000	Chamfered Washer M4 FZB
14	6	82105900	Chamfered Washer M5 FZB
15	4	82108000	Chamfered Washer M8 FZB
16	1	82112000	Chamfered Washer M12 FZB
17	4	82116000	Chamfered Washer M16 FZB
18	1	M100622	Rubber bumper
19	1	M100627	Clamp jaw
20	1	M100639	clamp plate for rubber
21	2	M100644	Rail for safty plate
22	1	M100660	Safety plate - Bodyclamp
23	4	M100788	Bush for bumper
24	1	M100827	Bottom jaw 15
25	1	M100892	Leg stop
26	1	M101617	Bernstien End stop, overload switch
27	1	M101619	< 63 cylinder assembly

Revision:	Approved	Date:	Revision Description
1	HG	13-01-2016	Cylinder changed

Break all edges

 <small>Alle Rechte vorbehalten. Nachdruck, Vervielfältigung und Verbreitung, auch auszugsweise, ist ohne schriftliche Genehmigung der HEDENSTEDT GRUPPEN A/S.</small>	Scale: 1 : 1,5	Not specified tolerance according to: DS/ISO 2768-m	Sheet size: A3
		Surface properties: No	Sheet: 1 / 2
Part No.: M100864		Material:	
Description 1: Leg clamp assembly 15			
Description 2: HG quick skin 15			

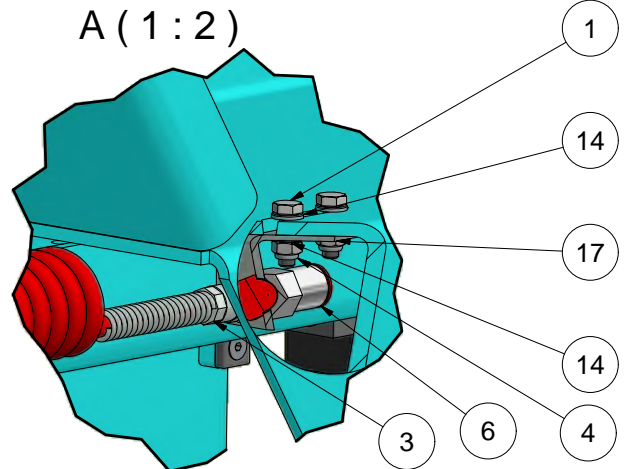
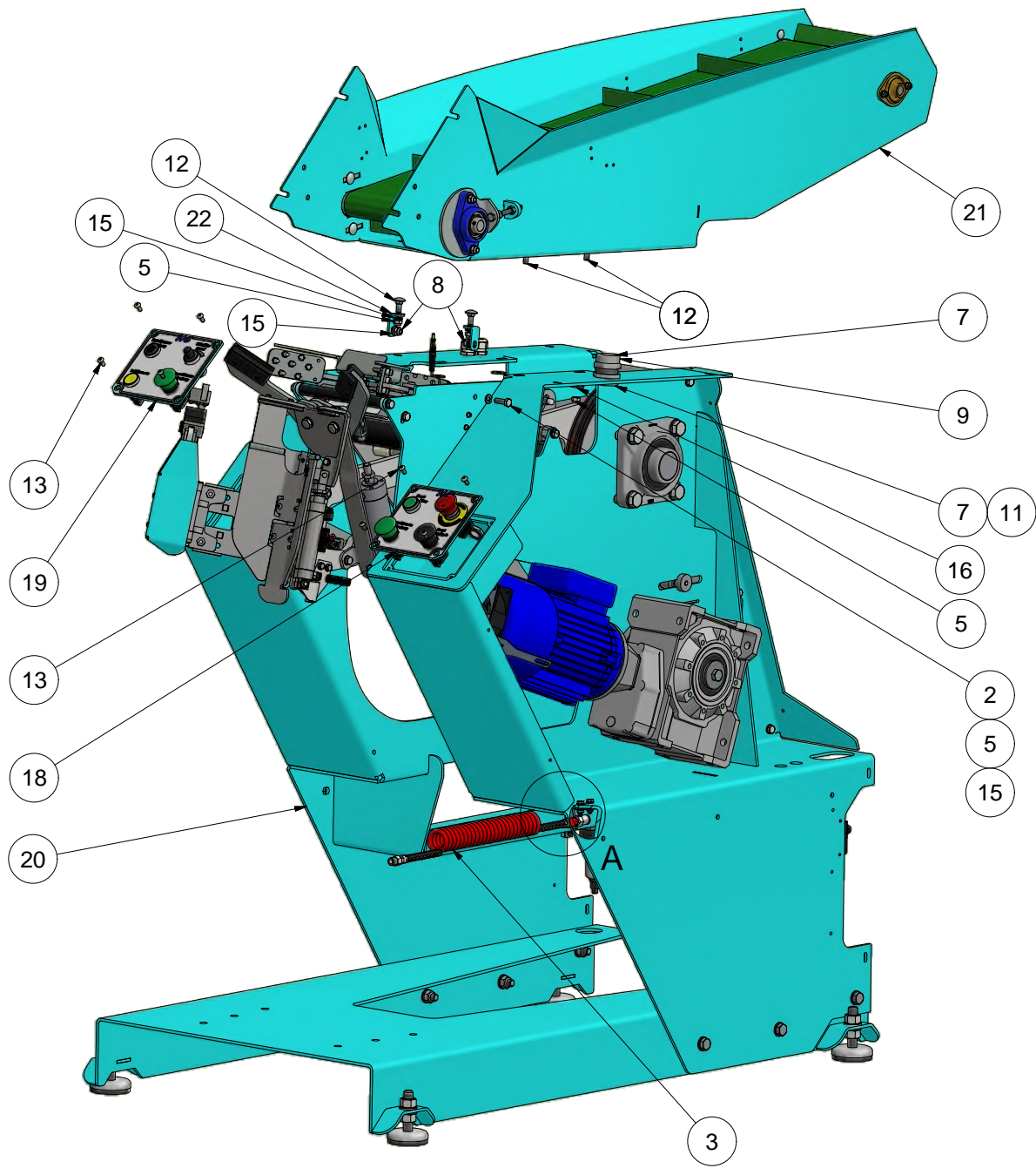
PARTS LIST			
ITEM	QTY	PART NUMBER	DESCRIPTION
1	4	11408020	Hexagon bolt M8x20 FZB
2	1	210370	Cylinder RA/192063/M/50
3	1	214120	F-Joint QM-8040-25
4	2	215760	Elbow swivel < 6 x 1/8"
5	4	82108000	Chamfered Washer M8 FZB
6	2	M101618	< 63 cyl bracket



Breake all edges

This drawing is the property of HEDENSTED GRUPPEN A/S. It is not to be copied or disclosed to any third parties.		Scale: 1 : 1	Not specified tolerance according to: DS/ISO 2768-m	Sheet size: A3
			Surface properties: No	Sheet: 1 / 1
	Part No.: M101619	Material:		
	Description 1: < 63 cylinder assembly			
Description 2:				

Revision:	Approved	Date:	Revision Description
1	MRH	13-01-2016	Made



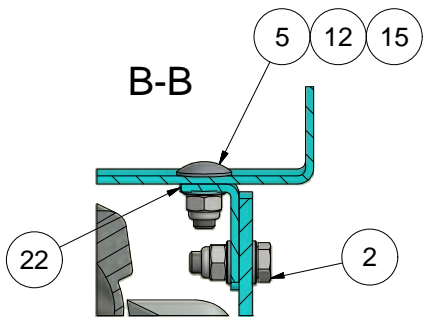
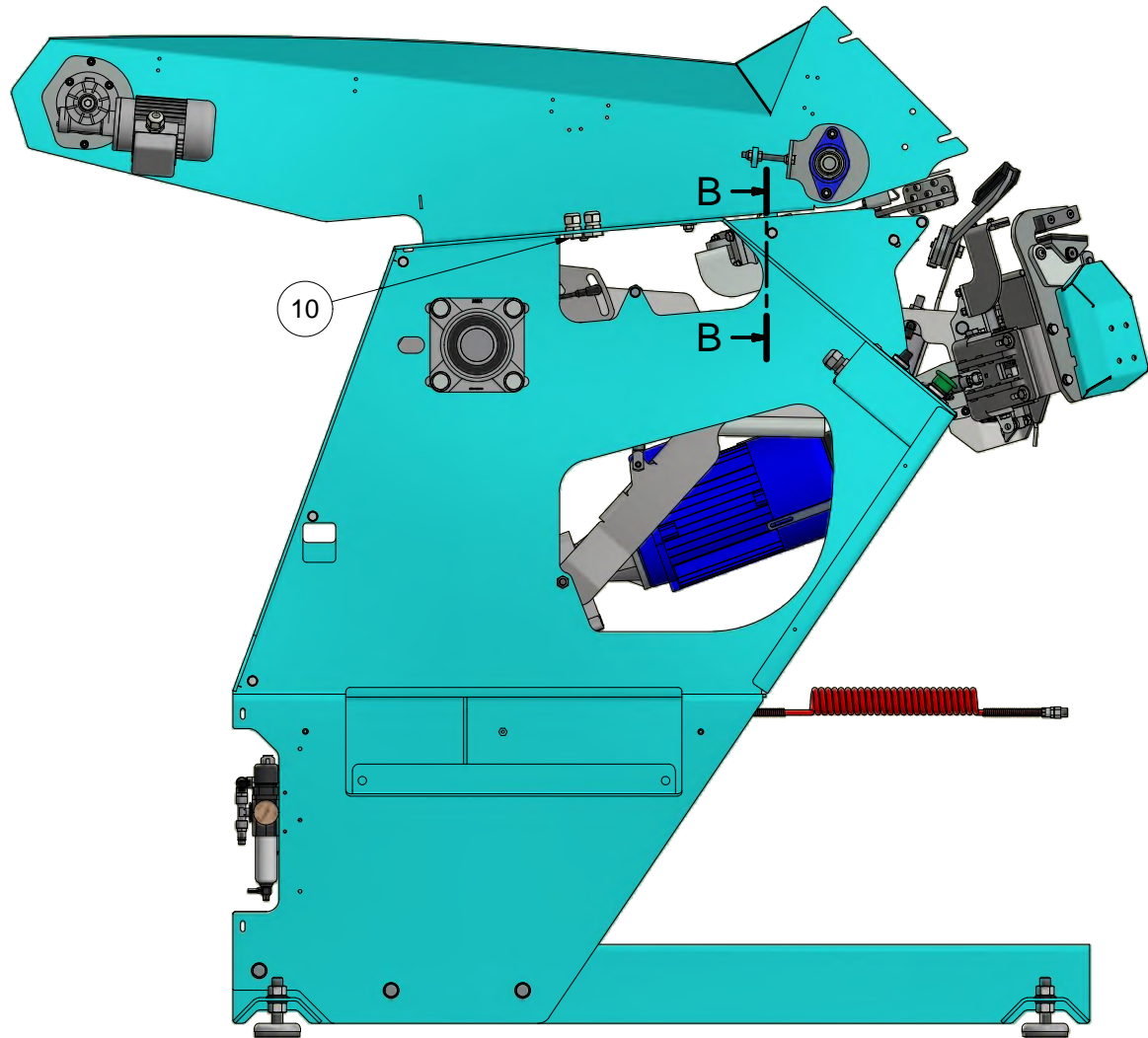
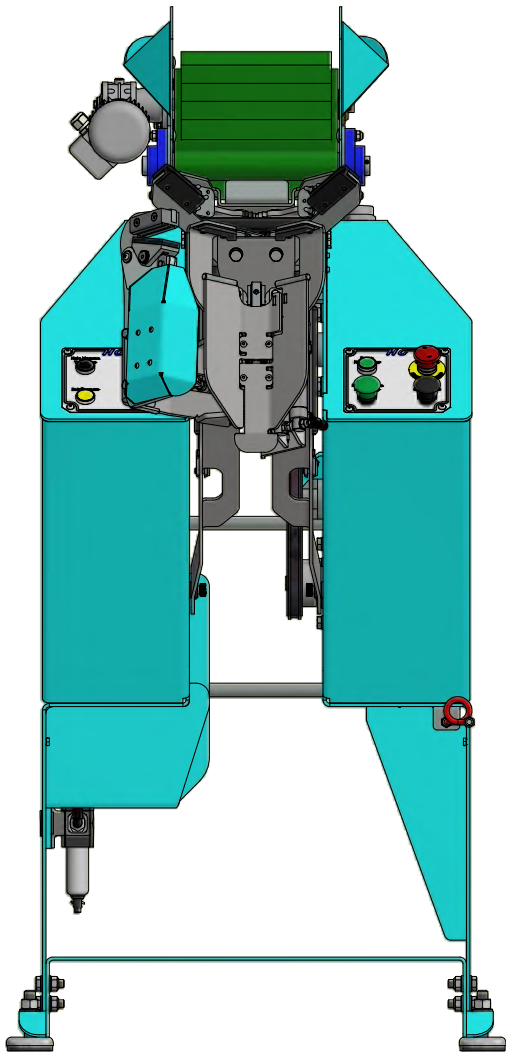
PARTS LIST

ITEM	QTY	PART NUMBER	DESCRIPTION
1	2	11406020	Hexagon bolt M6x20 FZB
2	2	11408025	Hexagon bolt M8x25 FZB
3	1	175806	Spring hose < 10 x 4m x 1/4"
4	2	17906000	Self-locking nut M6 FZB
5	8	17908000	Self-locking nut M8 FZB
6	1	215916	Straight connector < 10 x female 1/4"
7	1	600429	Gasket Multihole M32 7x < 7
8	2	600455	Cabel gland M20 < 5-12
9	1	600466	Cabel gland M32 < 15-24,5
10	2	600475	Nut polyamid M20
11	1	600481	Nut polyamid M32
12	6	64408020	Cup head square neck bolt M8x20 FZB
13	8	76006012	Buttonhead bolt M6x12 FZB
14	4	82106000	Chamfered washer M6 FZB
15	6	82108000	Washer M8 FZB
16	4	82608000	Washer < 8,4x24x2 DIN9021A
17	1	M100630	Bracket for air connection
18	1	M100701	Right button Consol
19	1	M100702	Left button Consol
20	1	M100709	Skin pull + Sensor assembly
21	1	M100715	Conveyor assembly
22	2	M103279	Anti-shaking bracket

Revision:	Approved	Date:	Revision Description
4	ALS	24/03/2018	Anti-shaking bracket added


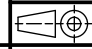
Break all edges

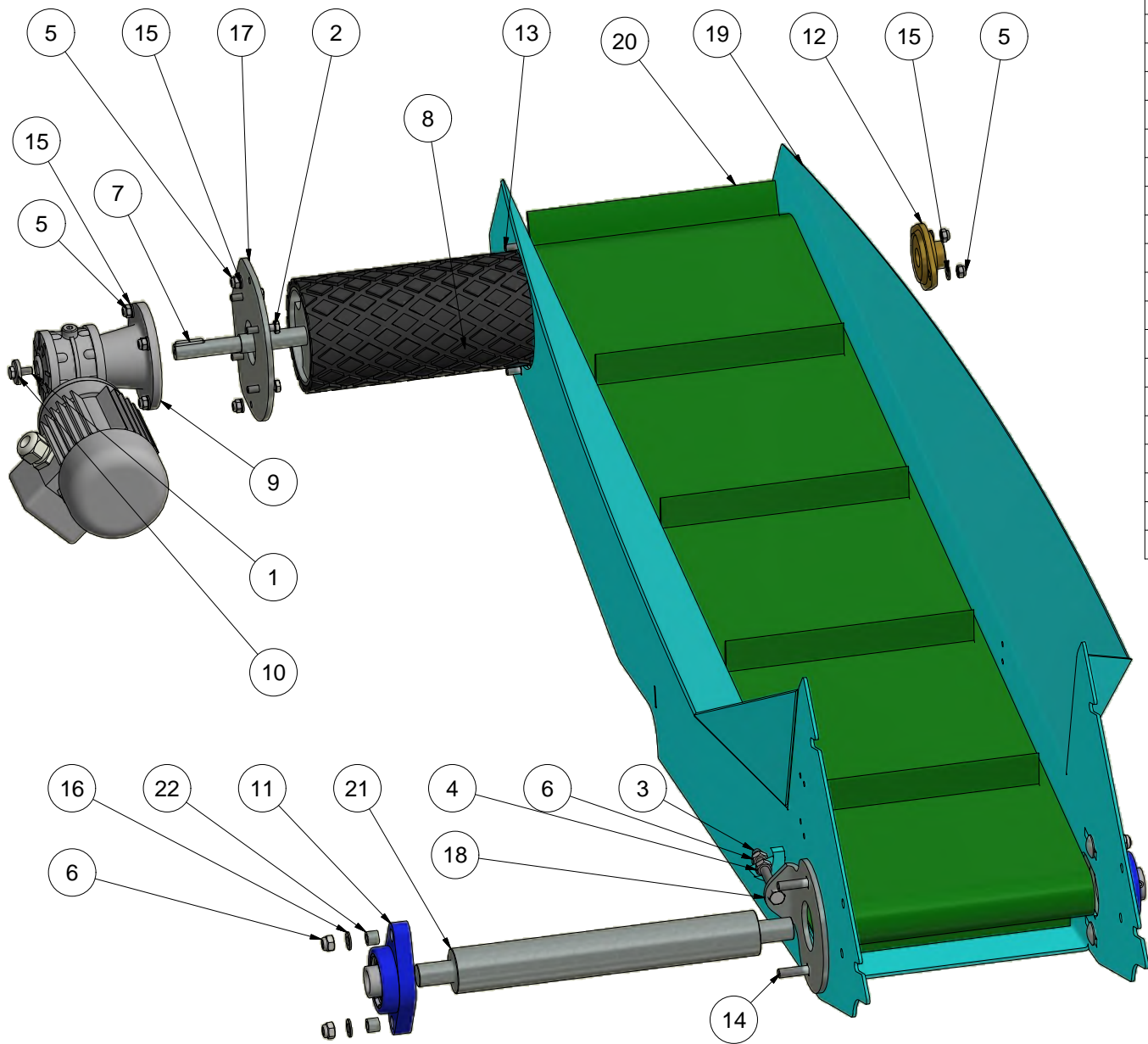
 <small>HEDENSTED GRUPPEN A/S</small>	Scale:	Not specified tolerance according to:	Sheet size:
	1 : 8	DS/ISO 2768-m	A3
	Surface properties:	No	Sheet:
			1 / 2
Part No.:	Material:		
M100710			
Description 1:	Conveyor + Panel assembly		
Description 2:	HG Quick Skin		



Revision:	Approved	Date:	Revision Description
4	ALS	24/03/2018	Anti-shaking bracket added

Break all edges

<small>Alle Rechte vorbehalten. Nachdruck, Vervielfältigung und Verbreitung, auch auszugsweise, ist ohne schriftliche Genehmigung der HEDENSTEDT GRUPPEN A/S.</small>		Scale: 1 : 8	Not specified tolerance according to: DS/ISO 2768-m	Sheet size: A3
		Surface properties: No	Sheet: 2 / 2	
	Part No.: M100710	Material:		
Description 1: Conveyor + Panel assembly				
Description 2: HG Quick Skin				



PARTS LIST			
ITEM	QTY	PART NUMBER	DESCRIPTION
1	1	11406016	Hexagon bolt M6x16 FZB
2	4	11406025	Hexagon bolt M6x25 FZB
3	2	11408075	Hexagon bolt M8x75 FZB
4	2	1508000	Nut M8 FZB
5	8	17906000	Self-locking nut M6 FZB
6	8	17908000	Self-locking nut M8 FZB
7	1	207946	Key 5x5x25mm DIN-6885A
8	1	222804	Pulley \varnothing 00x250
9	1	222820	Gearmotor RMI28 F2 1:28 0,08kW
10	1	4206000	Washer type TBR SB < 6,4x22x4 FZB
11	2	473106	Y-bearing oval < 20
12	1	473160	Y-Bearing Oval plate < 17
13	4	64406016	Cup head square neck bolt M6x16 FZB
14	4	64408035	Cup head square neck bolt M8x35 FZB
15	8	82106000	Washer M6 FZB
16	4	82108000	Washer M8 FZB
17	1	M100618	Motor mount
18	2	M100628	Bearing mount
19	1	M100633	Conveyor box weldment
20	1	M100641	Conveyor belt
21	1	M100663	shaft for belt
22	4	M100689	Bush for \varnothing 20 bearing

Break all edges

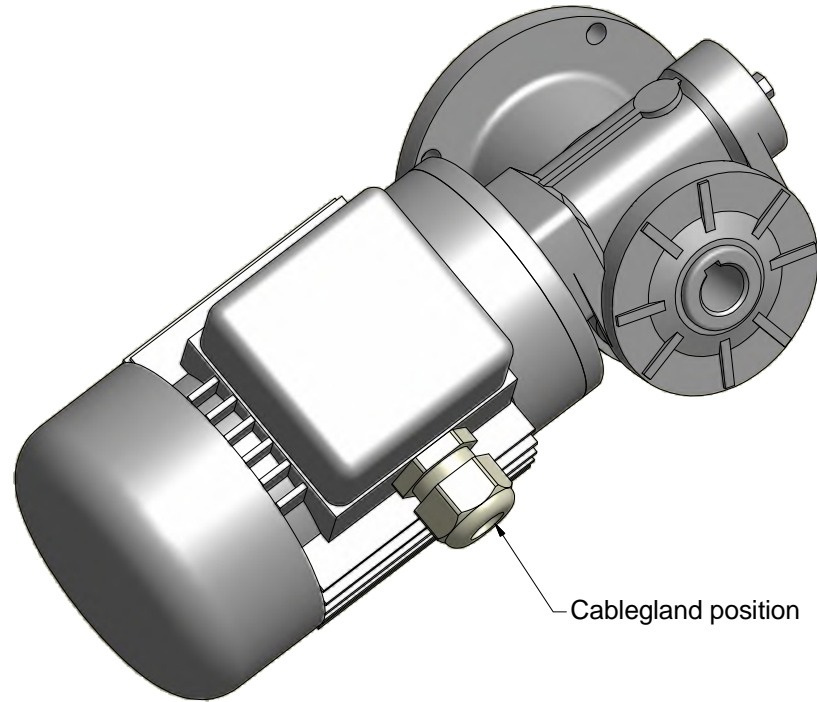
The information on this drawing is the property of HEDENSTED GRUPPEN A/S. It is not to be copied or disclosed to any third party.		Scale:	Not specified tolerance according to:	Sheet size:	
		1 : 4	DS/ISO 2768-m	A3	
			Surface properties:	No	Sheet:
					1 / 2
	Part No.:	M100715			
	Description 1:	Conveyor assembly			
	Description 2:	HG quick skin 14			

Revision:	Approved	Date:	Revision Description
1	HG	28/09/2015	Revision changed to numeric

Product data:


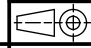
Gear: STM-RMI28F2 SIN
 Ratio: 1/28
 Flange: IEC56 B14
 Hole: \varnothing 4H7
 Mounting POS: M1 (oil level)
 Motor: 0,08kW 1400rpm IEC56
 Terminal board position: POS 8

PARTS LIST			
ITEM	QTY	PART NUMBER	DESCRIPTION
1	1	25326	Motor 0,08kW 1400 rpm B14
2	1	25328	Gear RMI28 1:28 F2 56B14



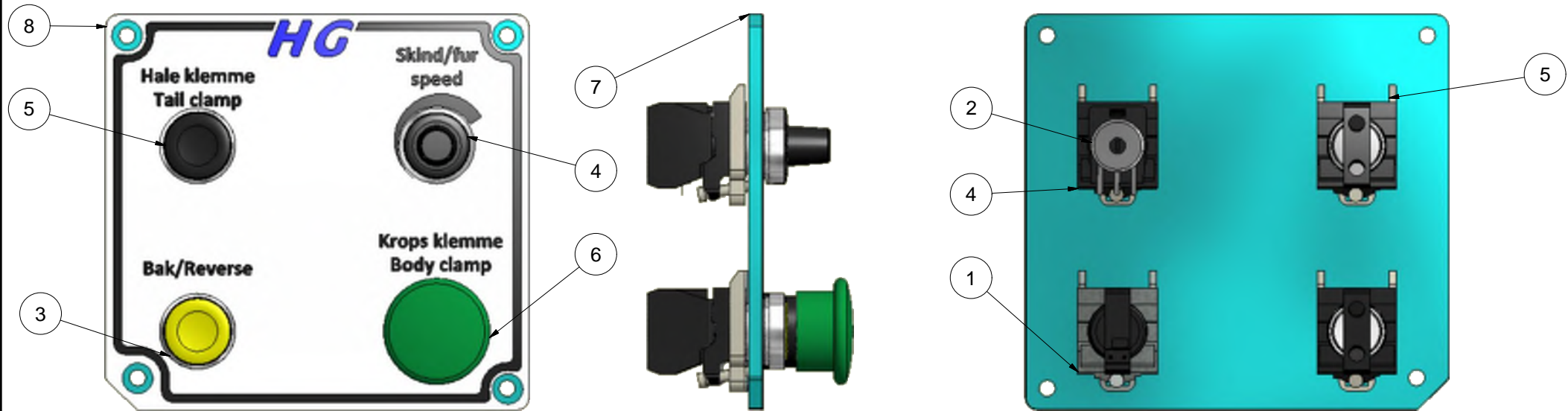
Cablegland position

Break all edges

The information on this drawing is confidential and intended for internal use only. It is not to be copied or disclosed to any third party. HEDENSTED GRUPPEN A/S		Scale: 1 : 1,5	Not specified tolerance according to: DS/ISO 2768-m	Sheet size: A3
		Surface properties: No		Sheet: 1 / 1
	Part No.: 222820	Material:		
Description 1: Gearmotor RMI28 F2 1:28 0,08kW				
Description 2: 1400rpm M1SX POS.7				

Revision:	Approved	Date:	Revision Description
1	HG	28-09-2015	Revision changed to numeric

PARTS LIST			
ITEM	QTY	PART NUMBER	DESCRIPTION
1	1	600176	Switch component ZB4BZ101 1NO
2	1	600315	Pote.meter 388 468-8698 1K ohm
3	1	600335	Push-button XB4BA51 Yello
4	1	600655	Handle ZB4BD912 < 6
5	1	600786	Push-button XB4BA21 Plan Black
6	1	601120	Push Button ZB4BC3 < 40 Green
7	1	M100643	Button plate
8	1	M100656	Label for buttons - Left



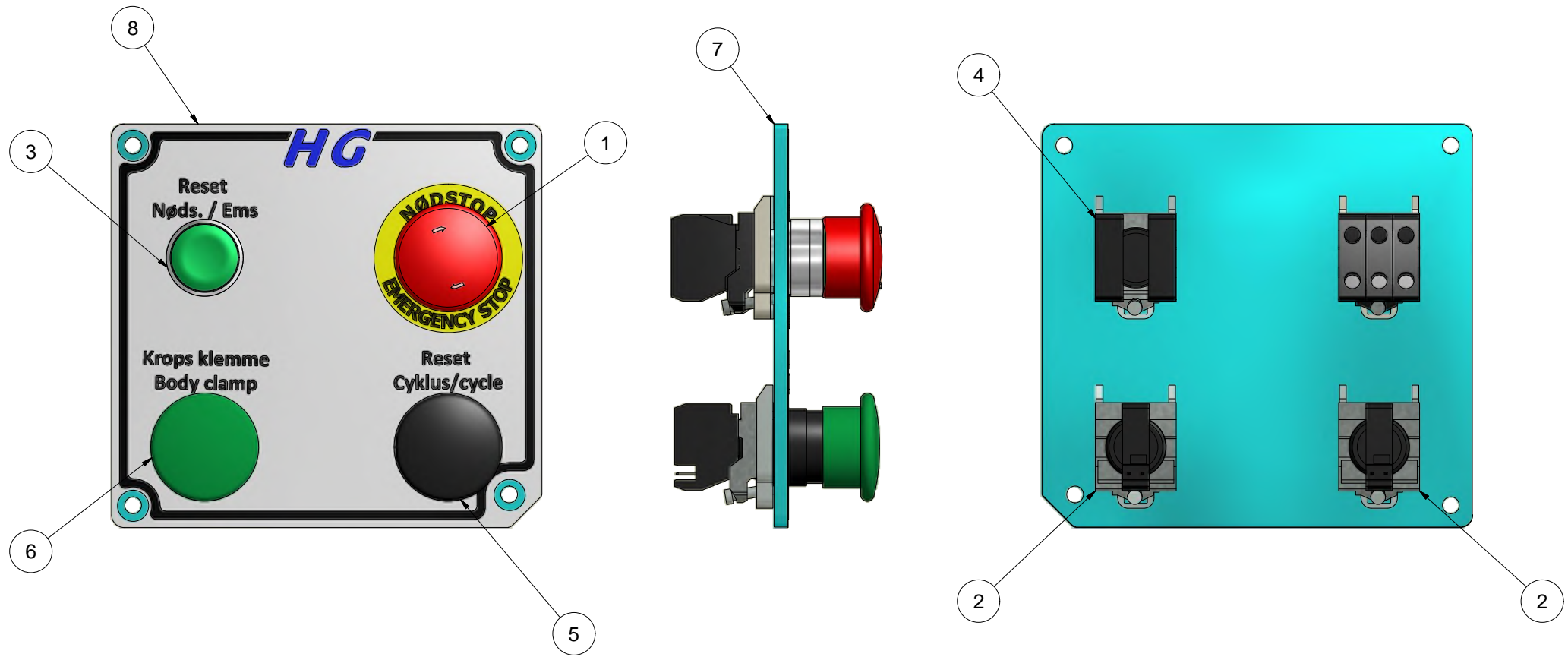
Break all edges

The information on this drawing is the property of HEDENSTED GRUPPEN A/S and is not to be copied or disclosed to any third party.			Scale: 1 : 1,5	Not specified tolerance according to: DS/ISO 2768-m	Sheet size: A3	
			Surface properties: No		Sheet: 1/1	
	Part No.: M100702		Material:			
	Description 1: Left button Consol					
Description 2:						

Revision:	Approved	Date:	Revision Description
1	HG	28-09-2015	Revision changed to numeric

PARTS LIST

ITEM	QTY	PART NUMBER	DESCRIPTION
1	1	600100	Emergencystop button ZB4BS844
2	2	600176	Switch component ZB4BZ101 1NO
3	1	600350	Button w/light XB4BW33B5 green
4	1	600375	Contact block ZB4BZ104 2NC
5	1	601115	Push Button ZB4BC2 < 40 Black
6	1	601120	Push Button ZB4BC3 < 40 Green
7	1	M100643	Button plate
8	1	M100657	Label for buttons - Right

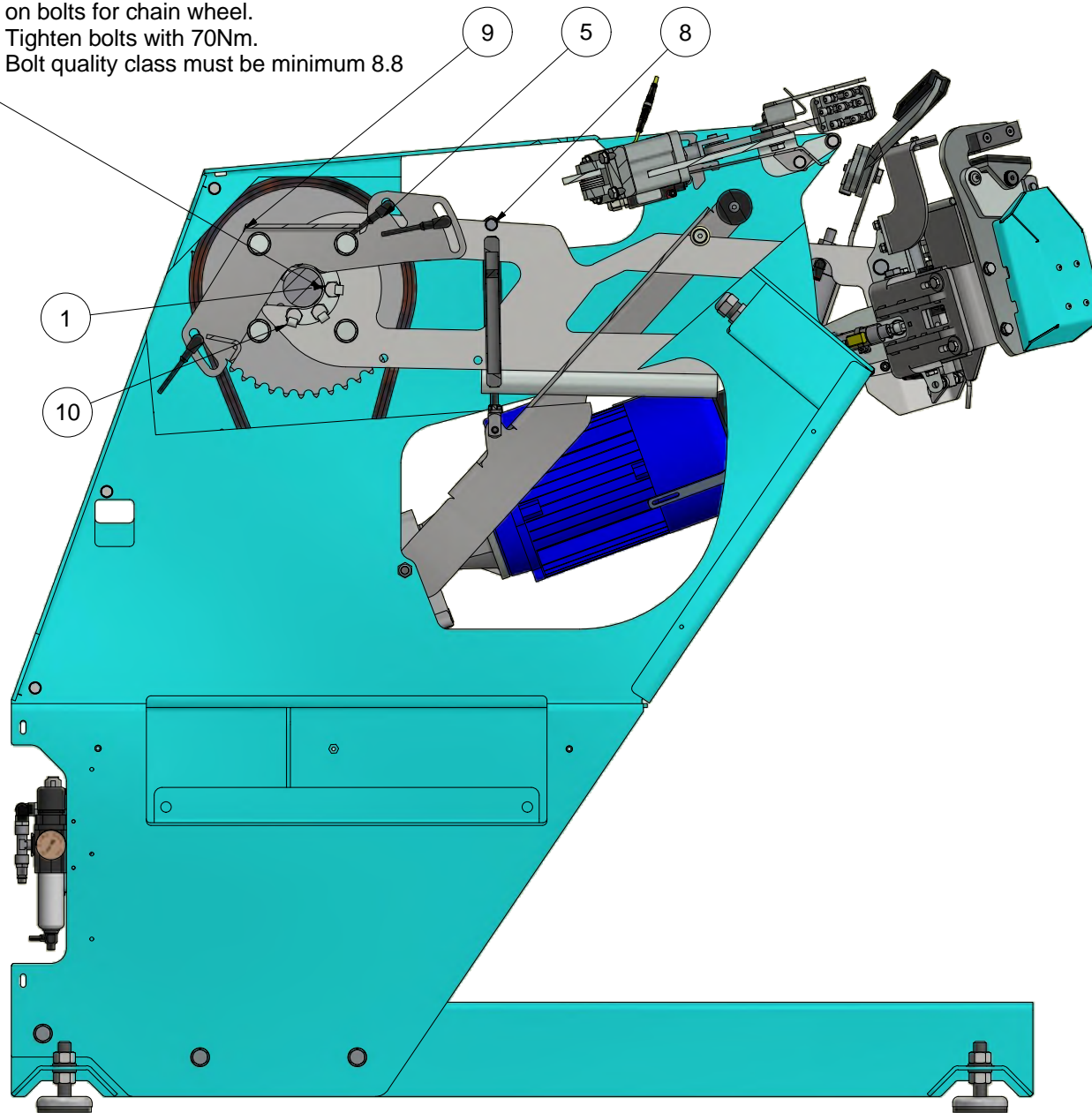


Break all edges

The information on this drawing is the property of HEDENSTED GRUPPEN A/S. It is not to be copied or disclosed to any third person.		Scale: 1 : 1,5	Not specified tolerance according to: DS/ISO 2768-m	Sheet size: A3
		Surface properties: No		Sheet: 1/1
	Part No.: M100701	Material:		
	Description 1: Right button Consol			
Description 2:				

Revision:	Approved	Date:	Revision Description
1	HG	28-09-2015	Revision changed to numeric

Apply Loctite 243
on bolts for chain wheel.
Tighten bolts with 70Nm.
Bolt quality class must be minimum 8.8



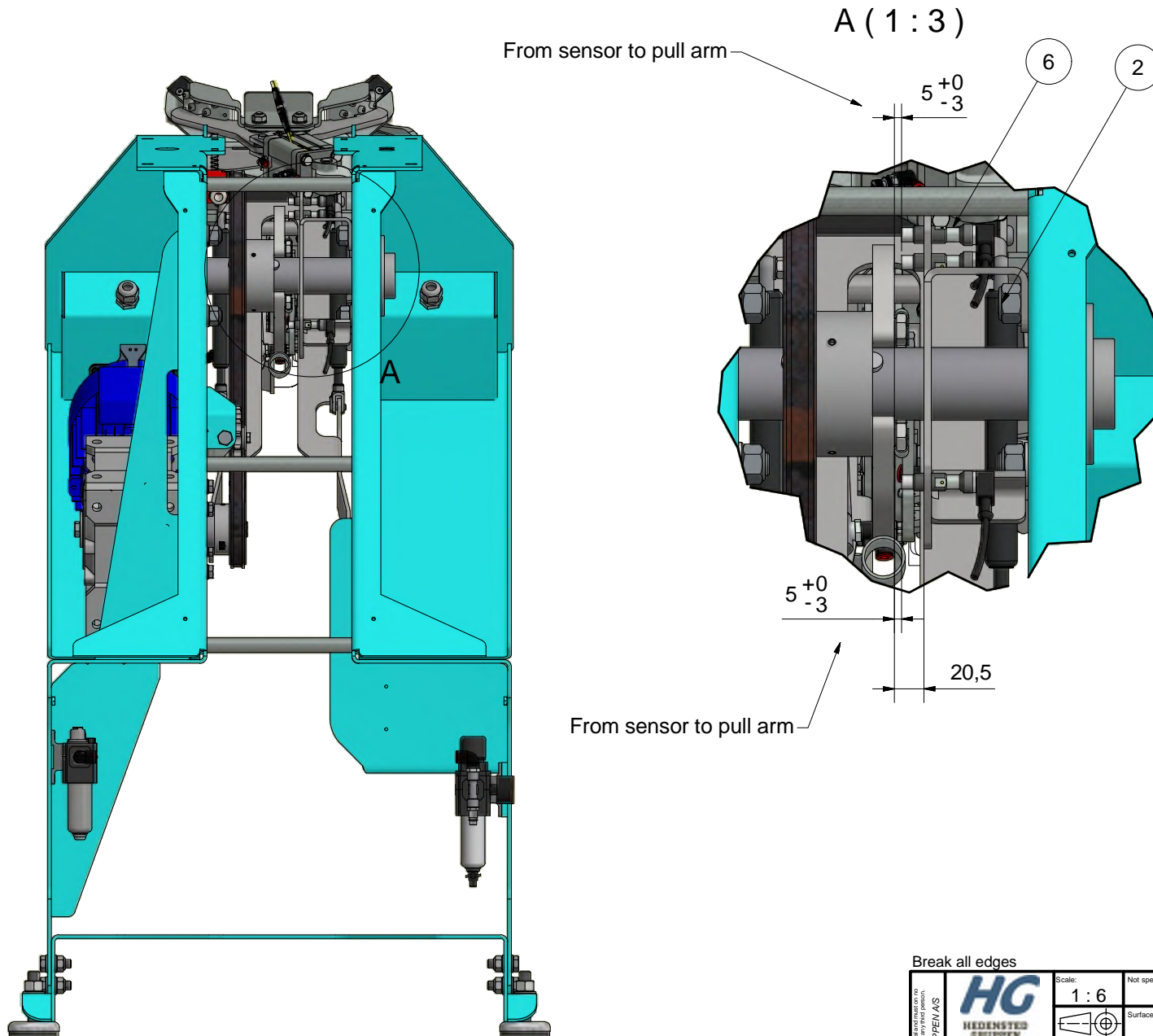
PARTS LIST

ITEM	QTY	PART NUMBER	DESCRIPTION
1	5	11412040	Hexagon bolt M12x40 FZB
2	2	17916000	Self-locking nut M16 FZB
3	2	600465	Cable gland M25 < 7-14
4	2	600480	Cable gland nut polyamid M25
5	3	600830	Cable w. elbow plug M12 4P 5M
6	3	601330	Sensor M12 inductive, w. socket M12 4P
7	1	M100708	Gear + Air supply assembly
8	1	M100730	Skin arm assembly
9	1	M100734	Mount for sensors
10	1	M101596	Boltlock plate

Break all edges

<small>Alle Rechte vorbehalten. Nachdruck, Vervielfältigung und Verbreitung, auch auszugsweise, ist ohne schriftliche Genehmigung der HEDENSTED GRUPPEN A/S. HEDENSTED GRUPPEN A/S</small>	HG HEDENSTED GRUPPEN	Scale: 1 : 6	Not specified tolerance according to: DS/ISO 2768-m	Sheet size: A3
	Part No.: M100709	Material:	Surface properties: No	Sheet: 1 / 3
	Description 1: Skin pull + Sensor assembly			
	Description 2: HG quick skin 14			

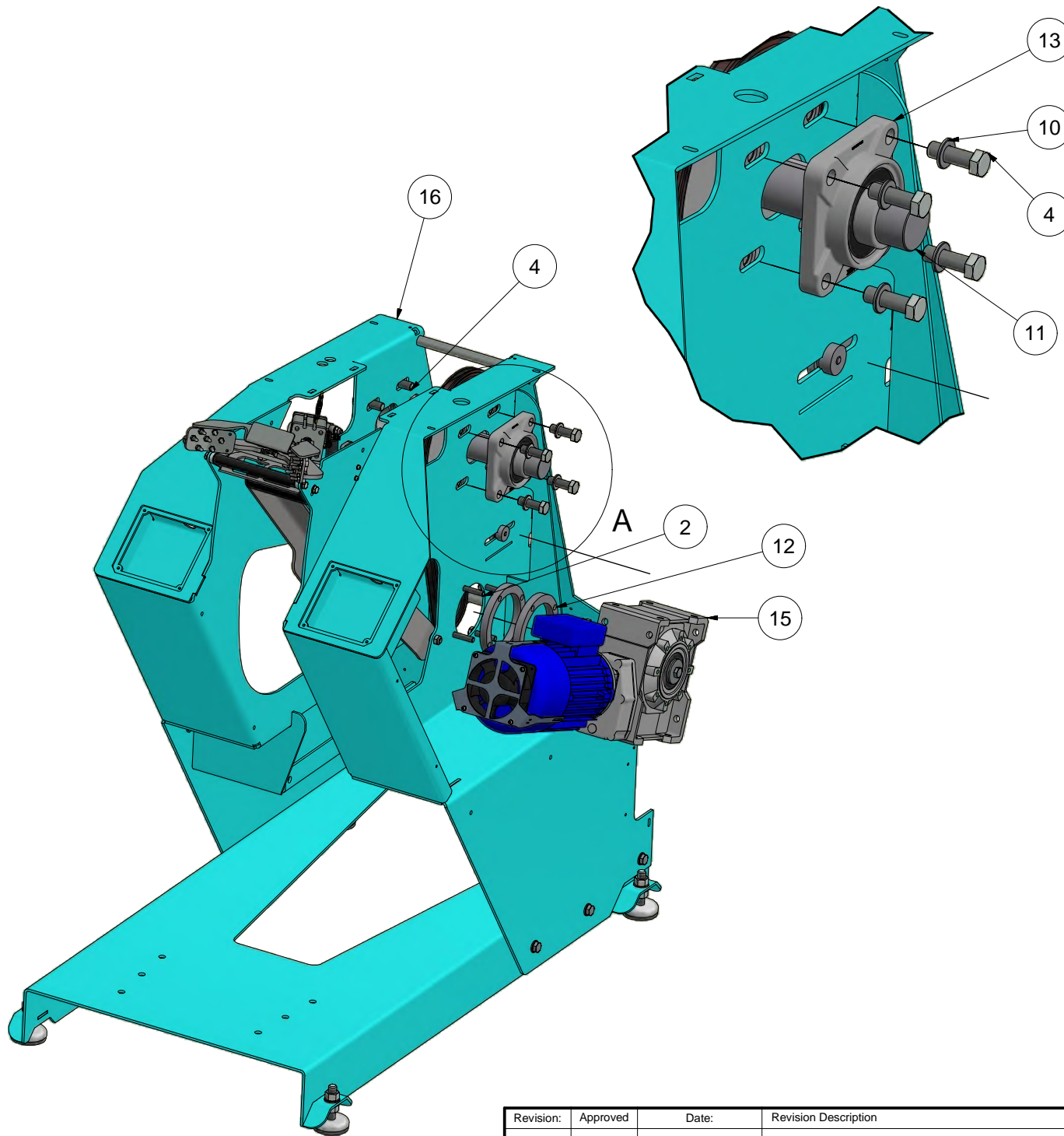
Revision:	Approved	Date:	Revision Description
2	ALS	28/02/2018	Skin lock spade splitted on two parts



Revision:	Approved	Date:	Revision Description
2	ALS	28/02/2018	Skin lock spade splitted on two parts

Break all edges

The information on this drawing is confidential and its disclosure to third parties without the express written consent of HEDENSTED GRUPPEN A/S is prohibited.		Scale: 1 : 6	Not specified tolerance according to: DS/ISO 2768-m	Sheet size: A3
		Material:	Surface properties: No	Sheet: 2 / 3
	Part No.: M100709			
	Description 1: Skin pull + Sensor assembly			
Description 2: HG quick skin 14				



PARTS LIST

ITEM	QTY	PART NUMBER	DESCRIPTION
1	2	10508040	Stop screw M8x40-B
2	4	11410050	Hexagon bolt M10x50 FZB
3	1	11412080	Hexagon bolt M12x80 FZB
4	8	11416050	Hexagon bolt M16x50 FZB
5	1	1512000	Nut M12 FZB
6	2	17912000	Self-locking nut M12 FZB
7	6	17916000	Self-locking nut M16 FZB
8	2	20405010	Hexagon countersunk head M5x10 FZB
9	4	82110000	Washer M10 FZB
10	14	82116000	Washer M16 FZB
11	1	M100612	Main shaft
12	2	M100616	Motor spacer
13	2	M100636	Y-Bearing flange < 50
14	1	M100679	Main chain wheel_12B1-Z45
15	1	M100698	Main gear assembly
16	1	M100699	Skin roll+Body clamp assembly
17	1	M100742	Key 14x9x70 DIN-6885A
18	1	M100743	Z13 chain tensioner
19	1	M100886	Lubricator assembly
20	1,28 m	M200085	Roller chain 12B1 3/4"
21	1	M200087	Chain connection 12B1
22	1	M103205	Regulator assembly
23	1	M15065	Doubler plate for filter adjustment
24	2	20405016	Hexagon countersunk head M5x16 FZB

Break all edges

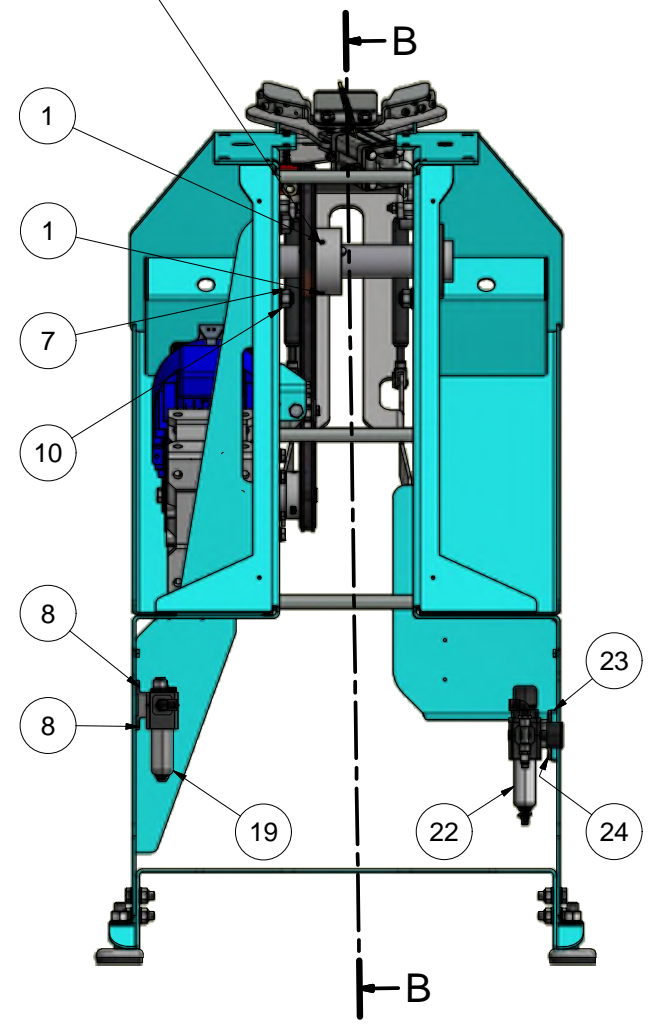
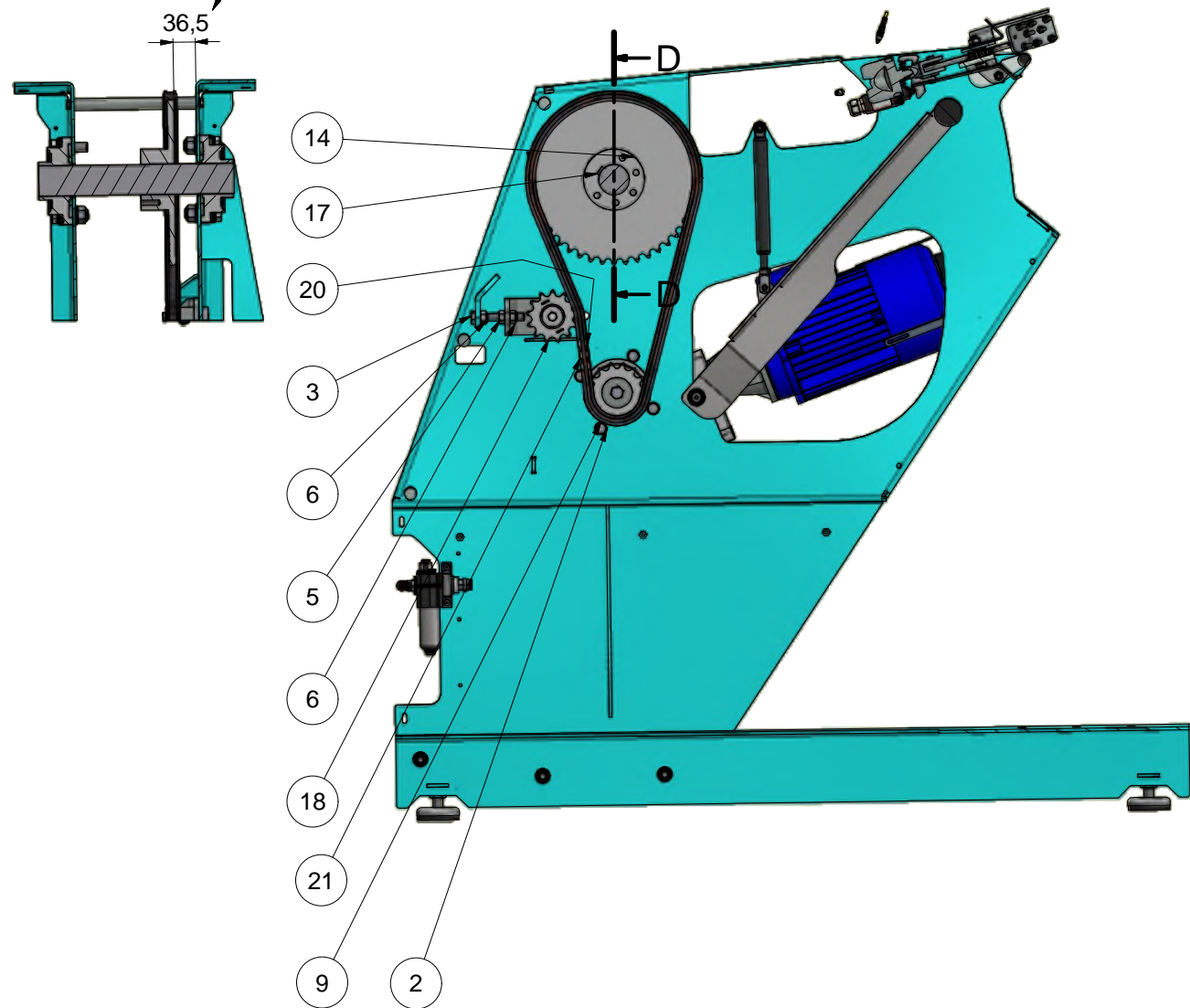
<small>Alle Angaben sind ohne Gewähr. Änderungen vorbehalten. Nachdruck ist ausdrücklich untersagt. Nachdruck ist ausdrücklich untersagt. Nachdruck ist ausdrücklich untersagt.</small> HEDENSTED GRUPPEN A/S	HG HEDENSTED GRUPPEN	Scale: 1 : 8	Not specified tolerance according to: DS/ISO 2768-m	Sheet size: A3
			Surface properties: No	Sheet: 1 / 2
	Part No.: M100708	Material:		
	Description 1: Gear + Air supply assembly			
Description 2: HG quick skin 14				

Revision:	Approved	Date:	Revision Description
2	ALS	27/02/2018	Filter adjustment changed

Drill 5-10mm into the shaft where the stop screws are placed. Apply loctit to stop screws.

D-D (1:8) From chainwheel to frame side.

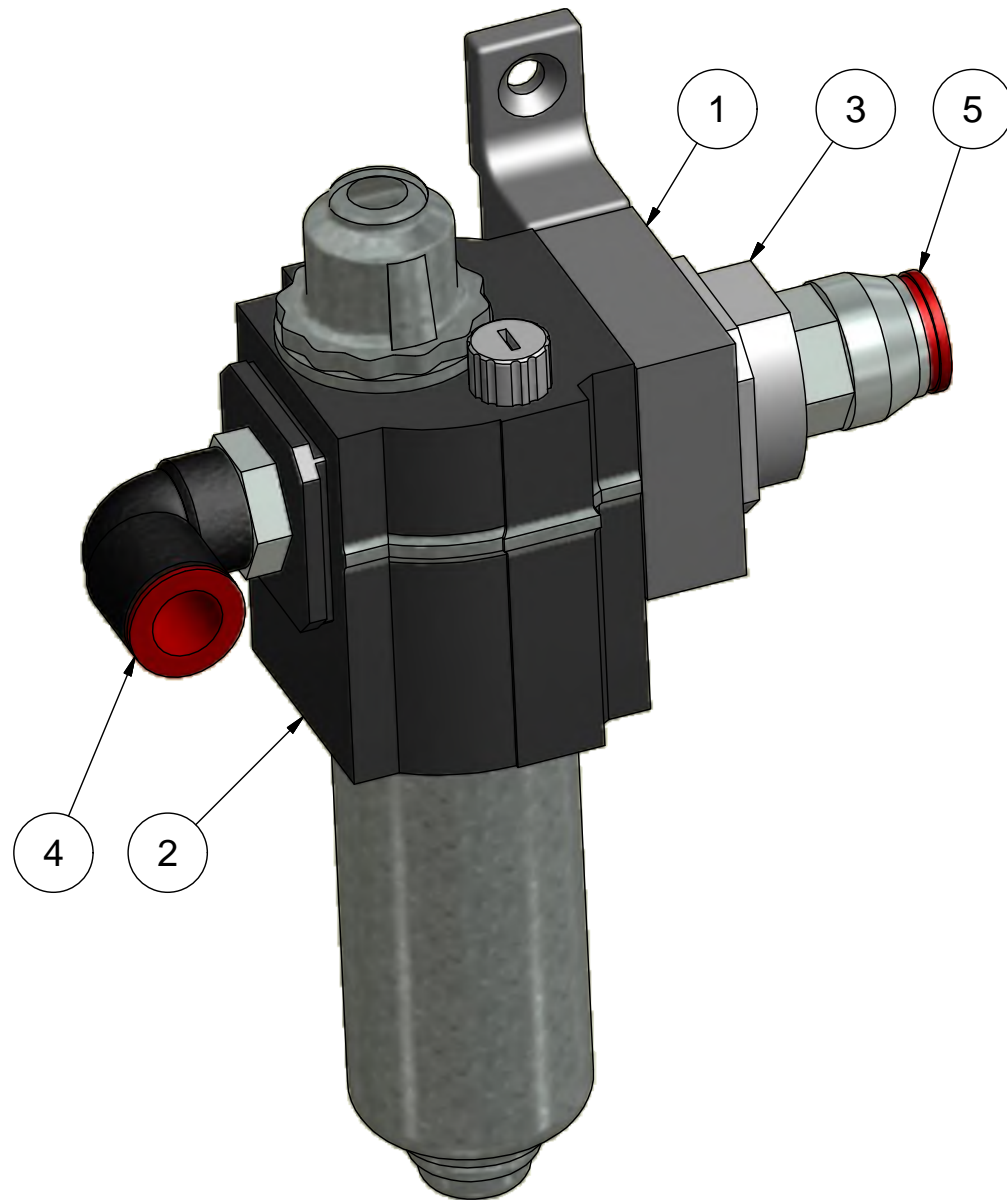
B-B (1:8)



Revision:	Approved	Date:	Revision Description
2	ALS	27/02/2018	Filter adjustment changed

Break all edges

 <small>HEDENSTED GRUPPEN A/S</small>	Scale: 1 : 8	Not specified tolerance according to: DS/ISO 2768-m	Sheet size: A3
		Surface properties: No	Sheet: 2 / 2
Part No.: M100708		Material:	
Description 1: Gear + Air supply assembly			
Description 2: HG quick skin 14			



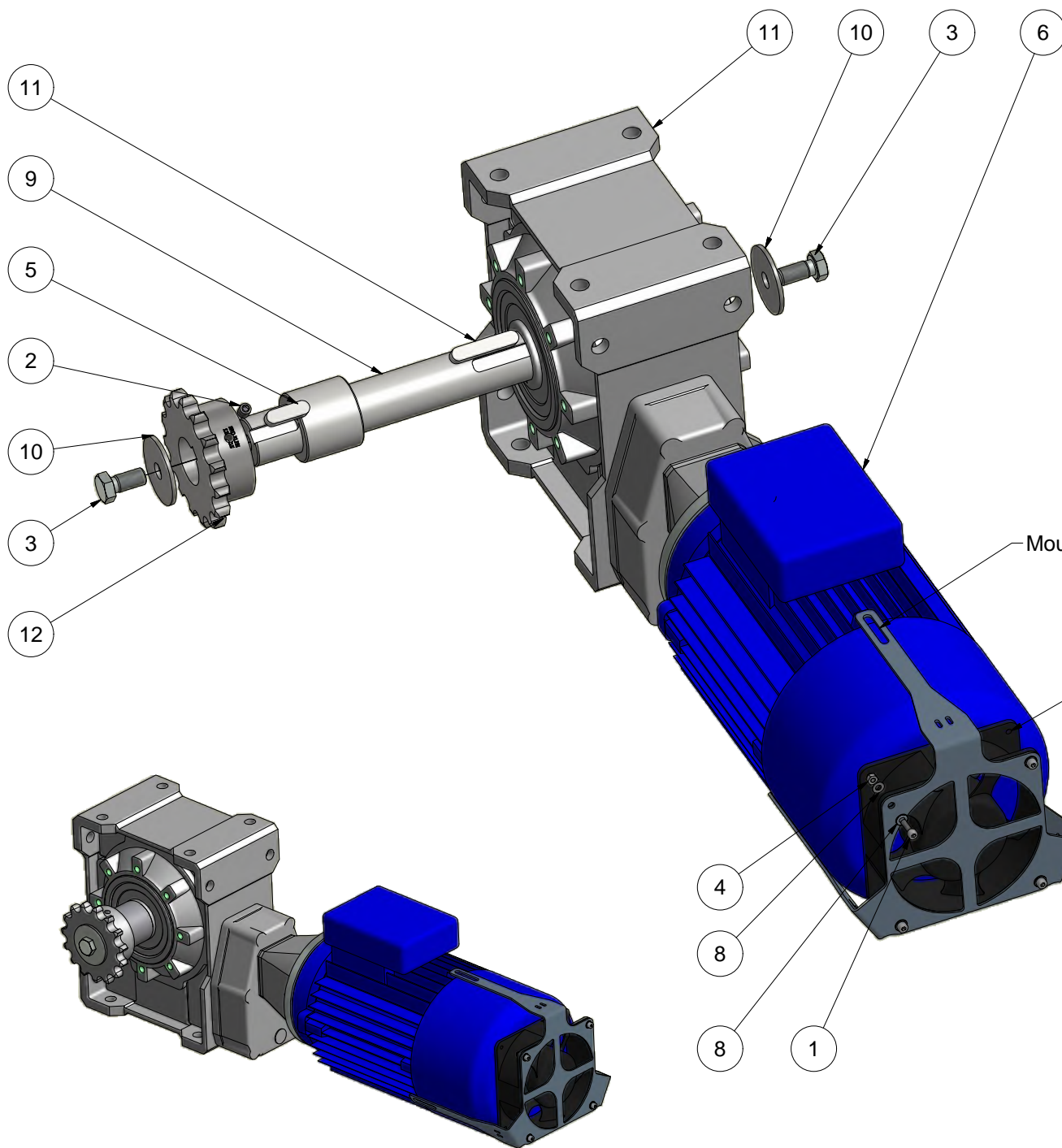
PARTS LIST

ITEM	QTY	PART NUMBER	DESCRIPTION
1	1	210176	Mounting brace
2	1	210185	Sight feed lubricator
3	1	210195	Insert
4	1	215778	Elbow swivel < 10 x 1/4"
5	1	215940	Straight connector < 10 x 1/4"

Break all edges

This document is strictly confidential and must not be copied or disclosed to any third person. HEDENSTED GRUPPEN A/S		Scale:	1 : 1	Not specified tolerance according to:	DS/ISO 2768-m	Sheet size:	A4		
			Surface properties:	No	Sheet:	1 / 1			
	Part No.:	M100886						Material:	
	Description 1:	Lubricator assembly							
Description 2:	HG quick skin 14								

Revision:	Approved	Date:	Revision Description
1	HG	28-09-2015	Revision changed to numeric

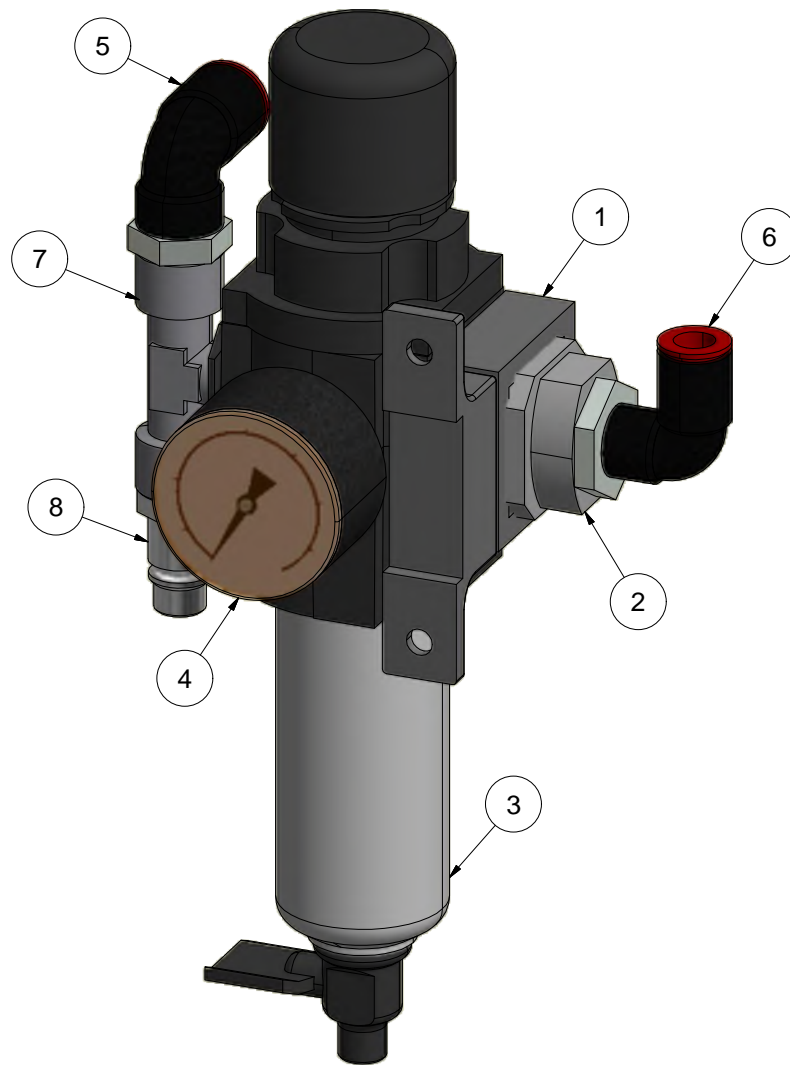


PARTS LIST			
ITEM	QTY	PART NUMBER	DESCRIPTION
1	4	10204014	Hexagon cylinder head M4x14 FZB
2	1	10508012	Stop screw M8x12-B
3	2	11412025	Hexagon bolt M12x25 FZB
4	4	17904000	Self-locking nut M4 FZB
5	1	197039	Key 10x8x32 DIN-6885A
6	1	222381	Motor 1,5kW 1400rpm w/brake
7	2,5 m	600634	Cable LIYY 2x0,75mm PVC
8	8	82104000	Washer M4 FZB
9	1	M100611	Main gear shaft
10	2	M100624	Motor washer
11	1	M100658	Gear - Tramec HF90 1:120
12	1	M100680	Chain wheel 12B-Z-1-15 < 35H7
13	1	M100726	Key 10x8x50 DIN-6885A
14	1	M101612	Mount for fan
15	1	M101613	Motor fan < 115 220v
16	1	M101724	Cable w. elbow plug 0,3m

Break all edges

The information on this drawing is confidential and its disclosure to third parties is prohibited without the prior written consent of HEIDENSTEDT GRUPPEN AS.		Scale: 1 : 3	Not specified tolerance according to: DS/ISO 2768-m	Sheet size: A3
	Part No.: M100698	Material:	Surface properties: No	Sheet: 1 / 2
	Description 1: Main gear assembly			
	Description 2: HG quick skin 14			

Revision:	Approved	Date:	Revision Description
1	MRH	21-01-2016	Fan added

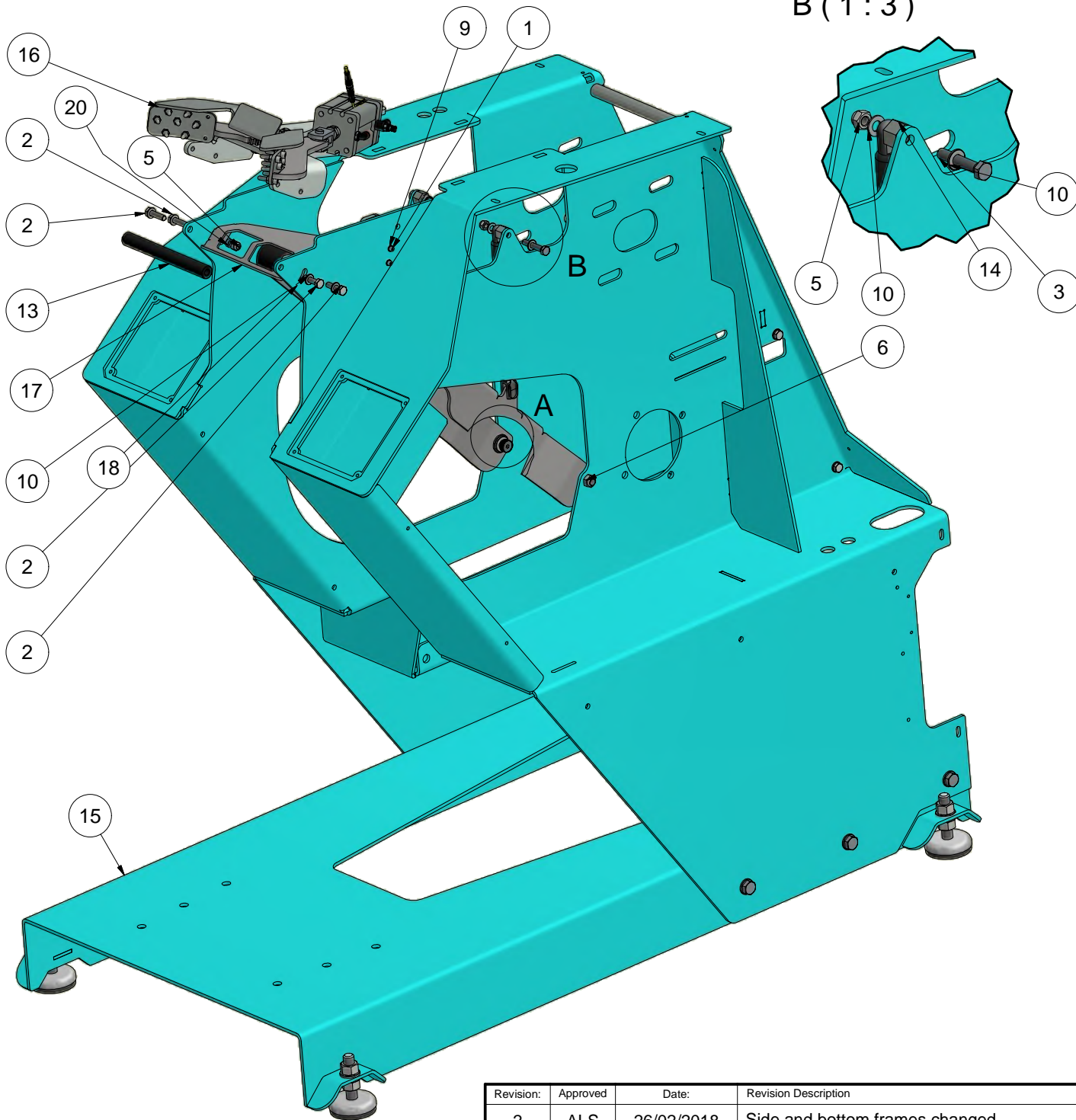


PARTS LIST			
ITEM	QTY	PART NUMBER	DESCRIPTION
1	1	210176	Wall bracket with clamp 72 series
2	1	210195	Connection block 1/4" for B72 serie
3	1	215420	Regulator with filter 1/4" 0,3-10 bar (Man. drain)
4	1	215550	Gauge 0-10 bar 1/8" < 40
5	1	215778	Elbow swivel < 10 x 1/4"
6	1	216537	Elbow swivel < 8 x 1/4"
7	1	216598	Tee 1/4+x 1/4+ x 1/4+(F/M/F)
8	1	217051	Quick release coupling Plug 1/4" male

Break all edges

The information on this drawing is confidential and intended for internal use only. It is not to be copied or disclosed to any third parties.		Scale:	1:1	Not specified tolerance according to:	DS/ISO 2768-m	Sheet size:	A3	
				Surface properties:	No	Sheet:	1/1	
		Part No.:	M103205					
		Description 1:	Regulator assembly					
Description 2:	HG Quick Skin							

Revision:	Approved	Date:	Revision Description
1	ALS	17/04/2018	Made



B (1 : 3)

A (1 : 2)

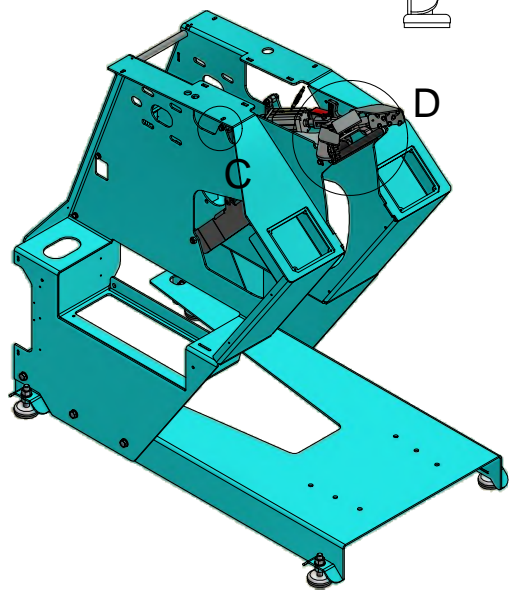
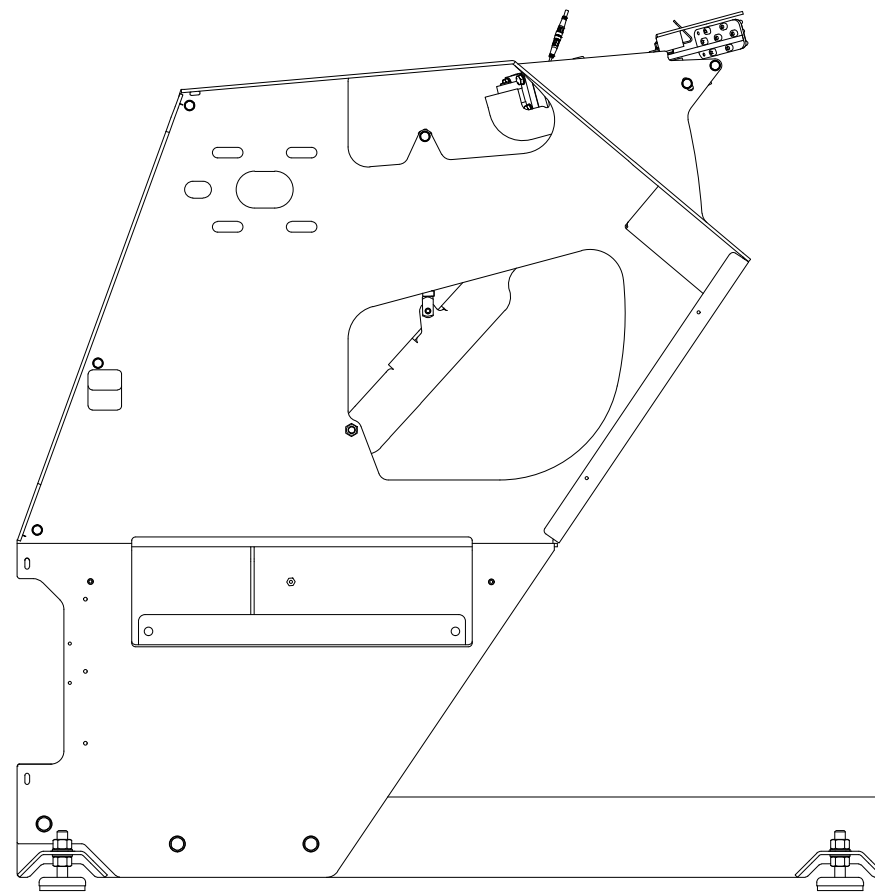
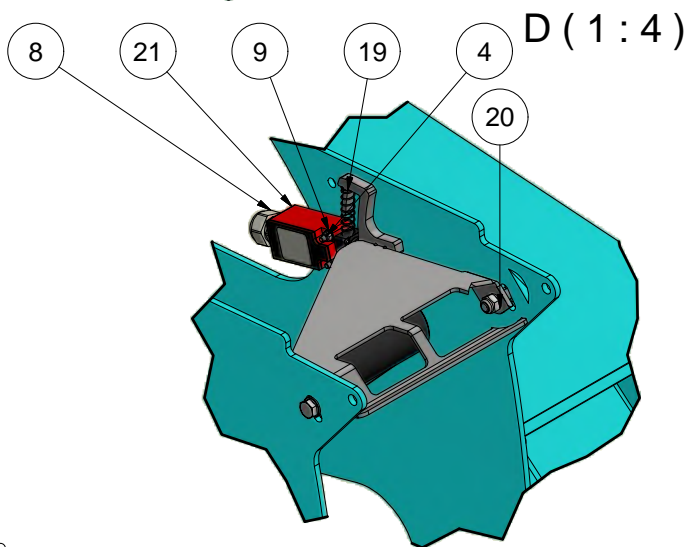
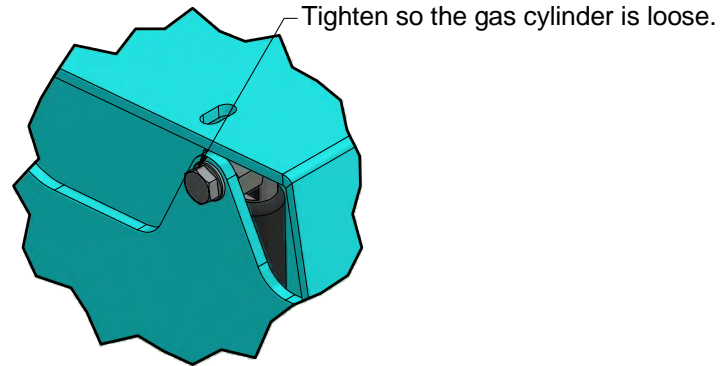
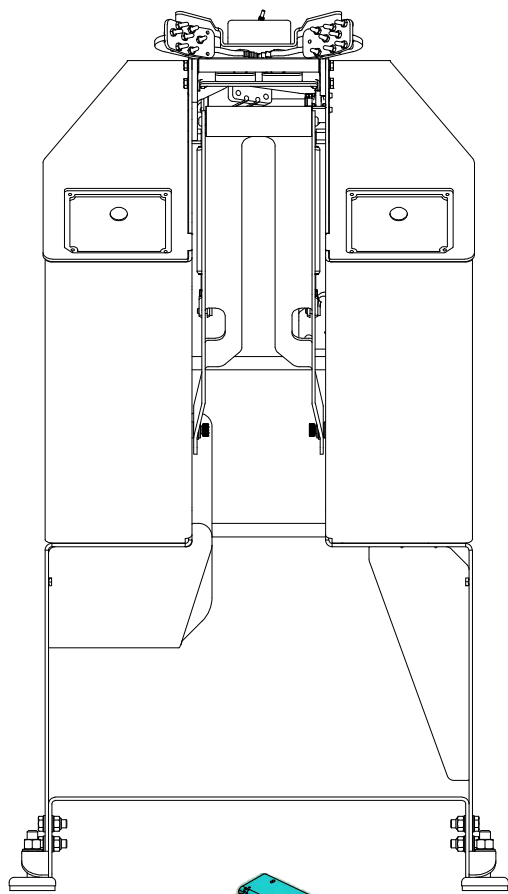
PARTS LIST

ITEM	QTY	PART NUMBER	DESCRIPTION
1	2	10204035	Hexagon cylinder head M4x35 FZB
2	4	11408030	Hexagon bolt M8x30 FZB
3	2	11408045	Hexagon bolt M8x45 FZB
4	2	17904000	Self-locking nut M4 FZB
5	4	17908000	Self-locking nut M8 FZB
6	2	17910000	Self-locking nut M10 FZB
7	2	20210016	Fitting bolt M10-12x16
8	1	600455	Cabel gland M20 < 5-12
9	4	82104000	Washer M4 FZB
10	8	82108000	Washer M8 FZB
11	4	82112000	Washer M12 FZB
12	2	82114000	Washer M14 FZB
13	1	M100619	Roll for body
14	2	M100683	Nut for damper
15	1	M100692	Base Frame assembly
16	1	M100713	Body clamp
17	1	M100877	Safety plate
18	1	M100884	Skin roll assembly 15
19	1	M101094	Compression spring < 0,97 D10,67 L 57,15
20	2	M101595	Spacer for safety plate
21	1	M101617	End stop w. wheel push rod Bernstien

Break all edges

The data on this drawing is the property of HEDENSTED GRUPPEN AS. It is not to be copied, reproduced, or disseminated to any third parties.		Scale: 1 : 6	Not specified tolerance according to: DS/ISO 2768-m	Sheet size: A3
	Part No.: M100699	Material:	Surface properties: No	Sheet: 1 / 2
	Description 1: Skin roll+Body clamp assembly			
	Description 2: HG quick skin 14			

Revision:	Approved	Date:	Revision Description
2	ALS	26/02/2018	Side and bottom frames changed

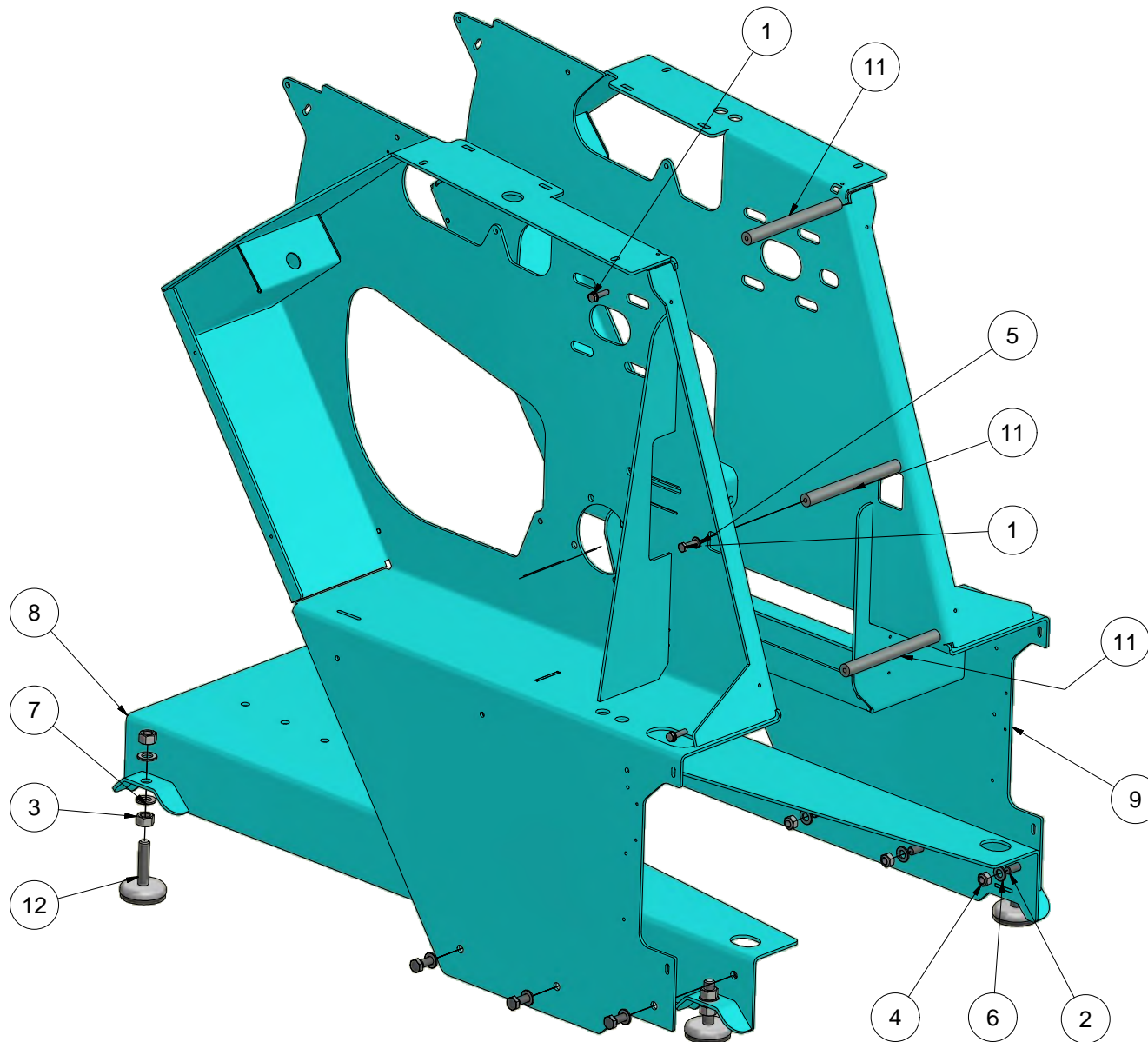


Break all edges

HG HEDENSTED GRUPPEN A/S <small>Alle tekniske tegninger er beskyttet af ophavsret og må kun bruges til den pågældende ordre. Hedensted Gruppen A/S påtager sig intet ansvar for kopierede eller modificerede tekniske tegninger.</small>	Scale:	Not specified tolerance according to:	Sheet size:
	1 : 6	DS/ISO 2768-m	A3
	Surface properties:	No	Sheet:
			2 / 2
Part No.:	Material:		
M100699			
Description 1:			
Skin roll+Body clamp assembly			
Description 2:			
HG quick skin 14			

Revision:	Approved	Date:	Revision Description
2	ALS	26/02/2018	Side and bottom frames changed

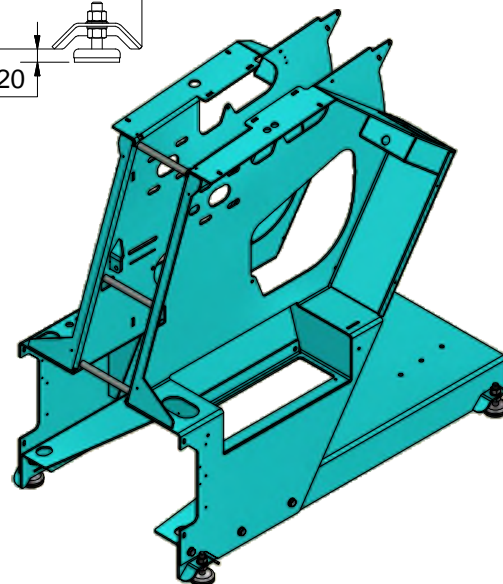
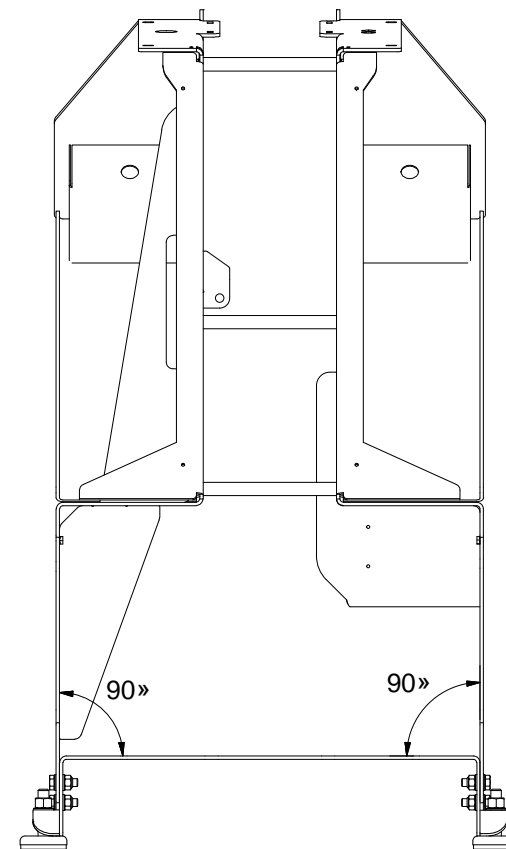
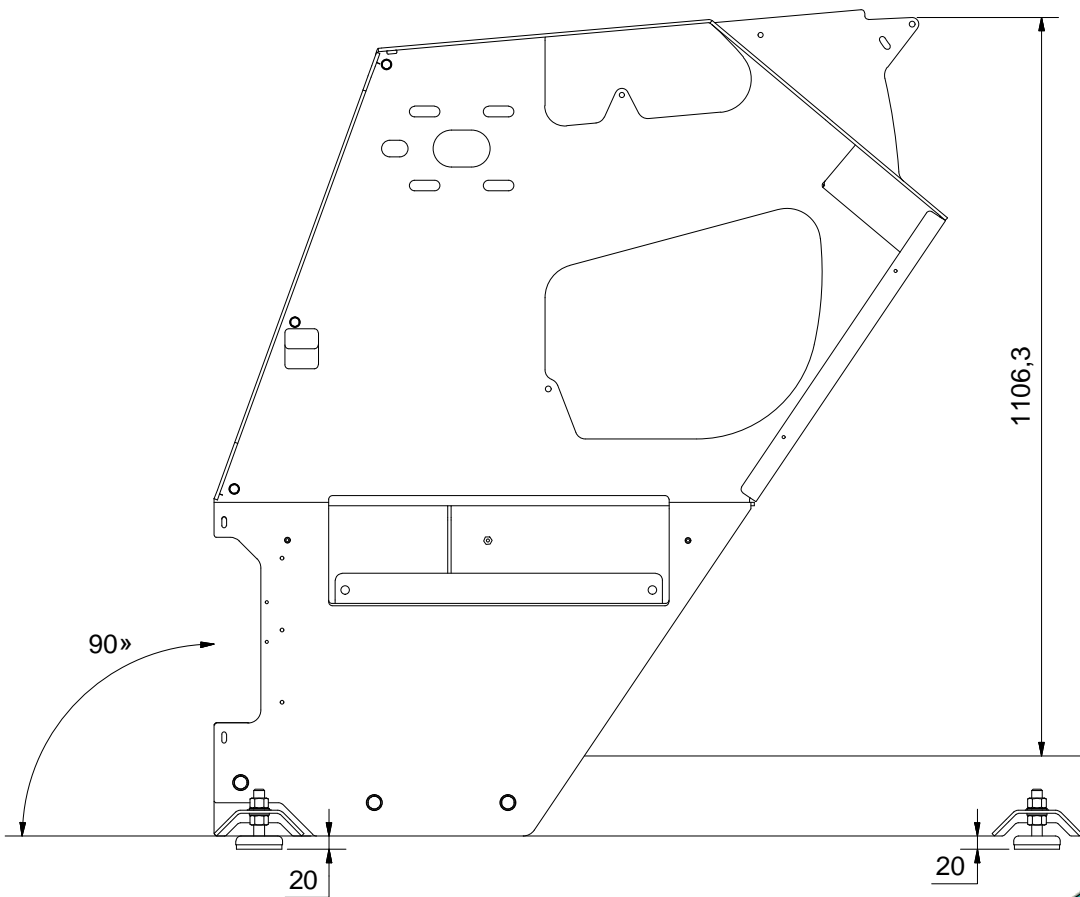
PARTS LIST			
ITEM	QTY	PART NUMBER	DESCRIPTION
1	6	11408030	Hexagon bolt M8x30 FZB
2	6	11412035	Hexagon bolt M12x35 FZB
3	8	1516000	Nut M16 FZB
4	6	17912000	Self-locking nut M12 FZB
5	6	82108000	Washer M8 FZB
6	12	82112000	Washer M12 FZB
7	8	82116000	Washer M16 FZB
8	1	M100631	Bottom plate assembly
9	1	M100653	Frame side assembly - Left
10	1	M100654	Frame side assembly - Right
11	3	M100655	Frame spacer
12	4	M200102	Machine shoe M16x70x< 70



Break all edges

This drawing is the property of HEDENSTED GRUPPEN A/S. It is not to be copied or disclosed to any third parties.		Scale: 1 : 7	Not specified tolerance according to: DS/ISO 2768-m	Sheet size: A3	
		Surface properties: No	Sheet: 1 / 2		
	Part No.: M100692	Material:			
	Description 1: Base Frame assembly				
Description 2: HG quick skin 14					

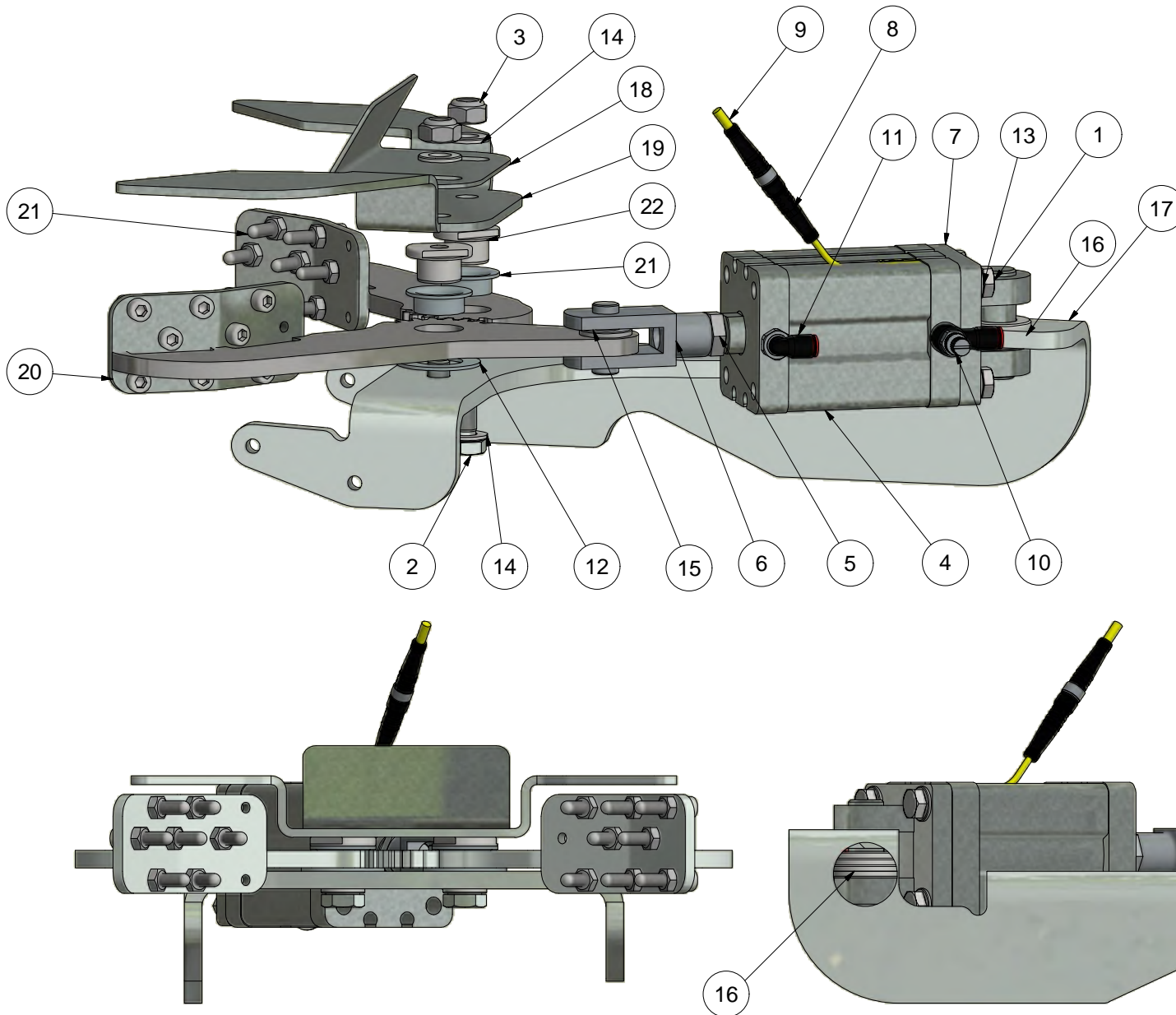
Revision:	Approved	Date:	Revision Description
2	ALS	24/02/2018	Openings in left and right frame changed.



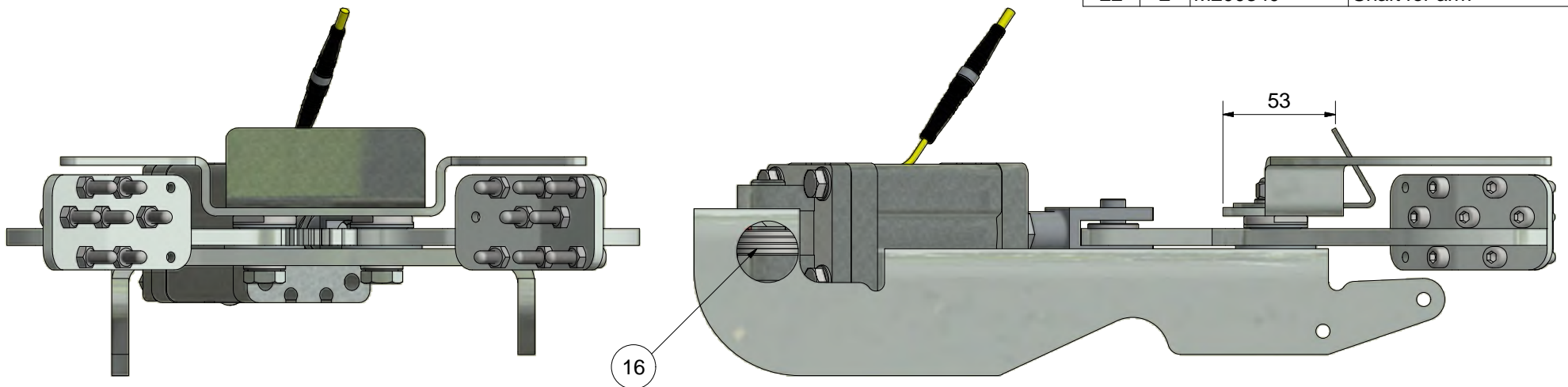
Break all edges

HG HEDENSTED EQUIPPEN	Scale:	Not specified tolerance according to:	Sheet size:
	1 : 7	DS/ISO 2768-m	A3
	Surface properties:	No	Sheet:
			2 / 2
Part No.:	Material:		
M100692			
Description 1:	Base Frame assembly		
Description 2:	HG quick skin 14		

Revision:	Approved	Date:	Revision Description
2	ALS	24/02/2018	Openings in left and right frame changed.



PARTS LIST			
ITEM	QTY	PART NUMBER	DESCRIPTION
1	5	11408025	Hexagon bolt M8x25 FZB
2	2	11410045	Hexagon bolt M10x45 FZB
3	2	17910000	Self-locking nut M10 FZB
4	1	210345	Cylinder RA/192050/M/50
5	1	210428	Lock nut M12x1,25 FZB
6	1	214120	F-Bracket QM/8040/25
7	1	214163	D2-Bracket QA/8050/42
8	1	214312	Reed inductive sensor (yellow)
9	1	214314	Cable w. plug M8 3P 3M
10	1	215105	Flow banjo control < 6 x 1/8"
11	1	215760	Elbow swirvel < 6 x 1/8"
12	2	222597	Slide washer < 22x< 38 x1,5
13	6	82108000	Washer M8 FZB
14	4	82110000	Washer M10 FZB
15	1	82112000	Washer M12 FZB
16	4	82116000	Washer M16 FZB
17	1	M100614	Base for clamp
18	1	M100629	Body shield
19	1	M100640	Clamp shield
20	1	M103094	Right clamp arm, complete
21	1	M103095	Left clamp arm, complete
22	2	M200340	Shaft for arm

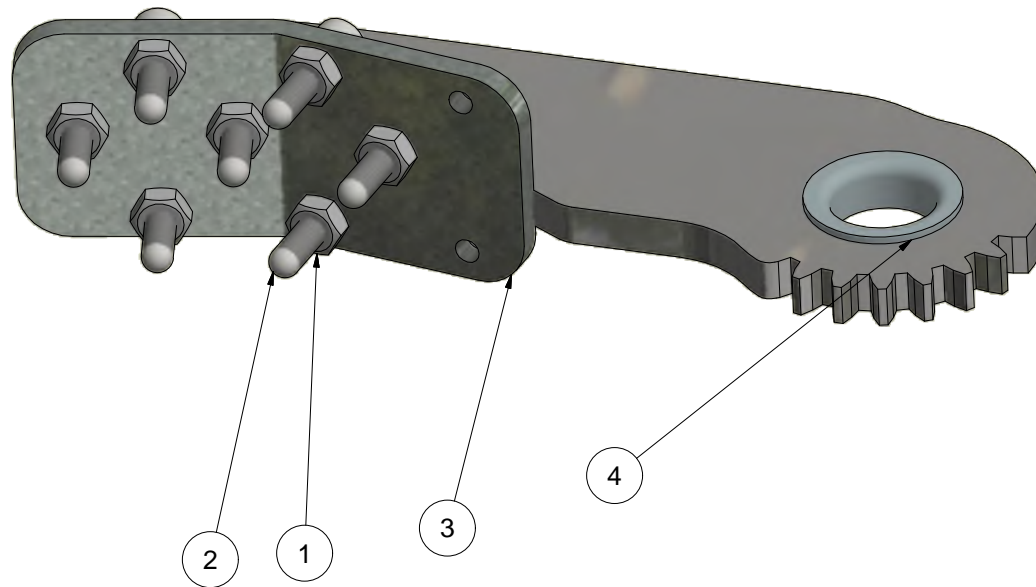


Break all edges

This drawing is the property of HEDENSTEDT GRUPPEN AS. It is not to be copied, reproduced, disseminated or used in any way without the prior written consent of HEDENSTEDT GRUPPEN AS.		Scale: 1 : 2	Not specified tolerance according to: DS/ISO 2768-m	Sheet size: A3	
		Surface properties: No	Sheet: 1 / 2		
	Part No.: M100713	Material:			
	Description 1: Body clamp	Description 2: HG quick skin 14			

Revision:	Approved	Date:	Revision Description
3	KL	12-11-2017	Arms changed to assemblies with bearings.

PARTS LIST			
ITEM	QTY	PART NUMBER	DESCRIPTION
1	7	1506000	Nut M6 FZB
2	7	M100621	Dull spike
3	1	M100634	Left clamp arm
4	1	M100856	Slide bearing $\varnothing 20 \times 23 - 8 \text{mm}$

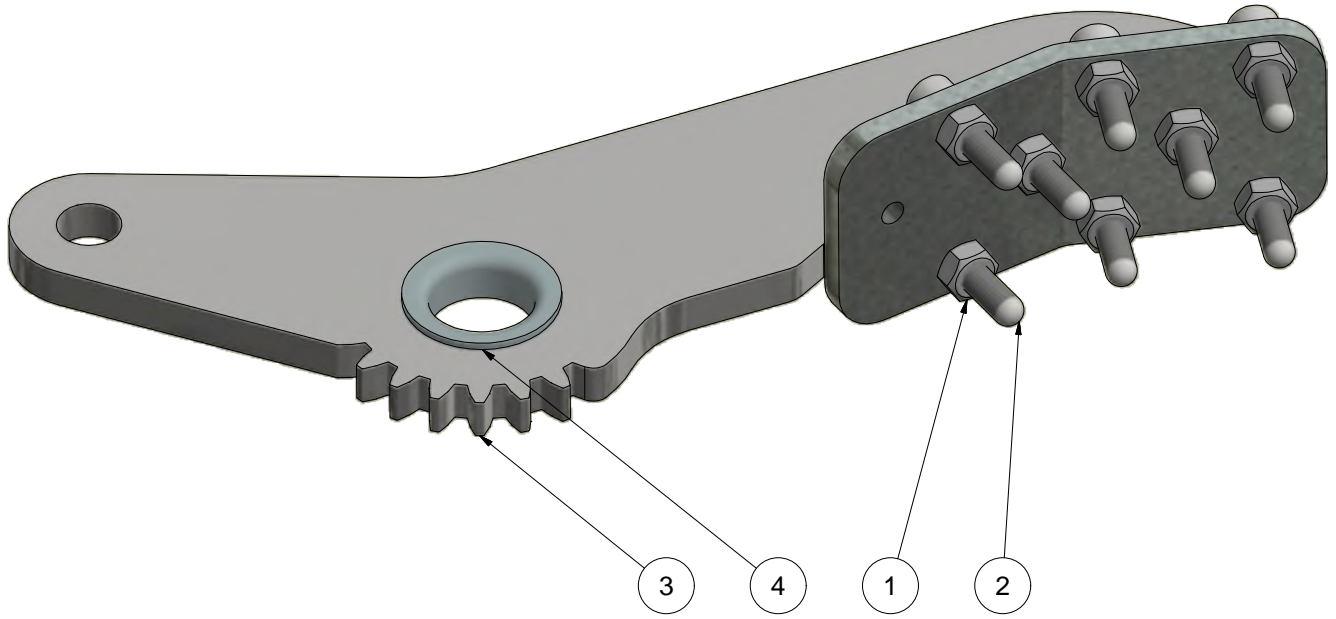


Break all edges


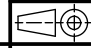
The data on this drawing is confidential and may be used for internal purposes only. It is not to be copied or disclosed to any third parties.	HG HEDENSTED GRUPPEN A/S		Scale: 1 : 1	Not specified tolerance according to: DS/ISO 2768-m	Sheet size: A3	
			Surface properties: No	Sheet: 1 / 1		
	Part No.: M103095		Material:			
	Description 1: Left clamp arm, complete					
Description 2: with bearing and spikes						

Revision:	Approved	Date:	Revision Description
1	KL	12-11-2017	Made

PARTS LIST			
ITEM	QTY	PART NUMBER	DESCRIPTION
1	8	1506000	Nut M6 FZB
2	8	M100621	Dull spike
3	1	M100635	Rigth clamp arm
4	1	M100856	Slide bearing $\varnothing 20 \times 23 - 8 \text{mm}$

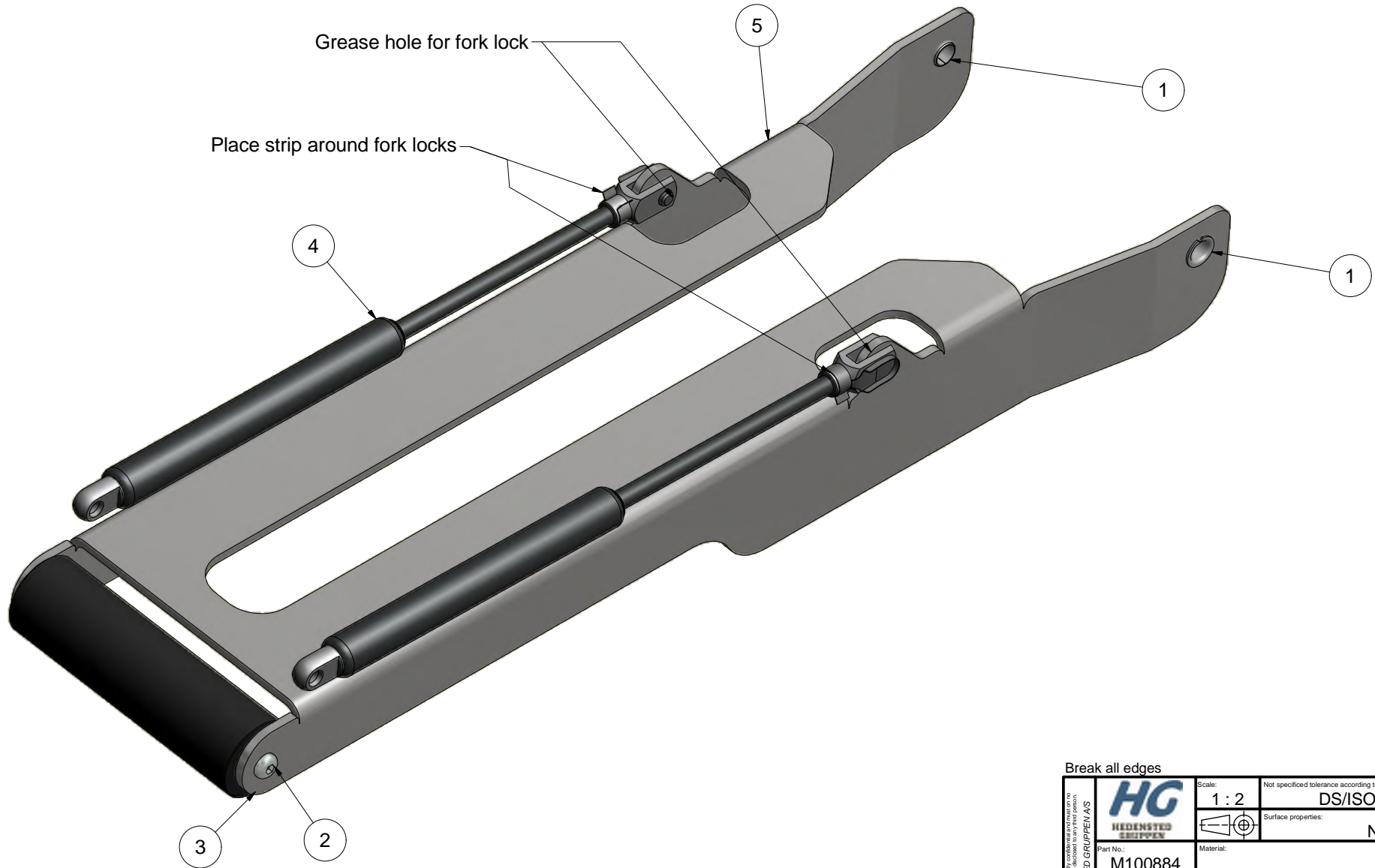


Break all edges

<small>Alle Angaben sind ohne Gewähr. Änderungen vorbehalten. Nachdruck ist ohne schriftliche Genehmigung der HEDENSTED GRUPPEN A/S ist ausdrücklich untersagt.</small> HEDENSTED GRUPPEN A/S		Scale: 1 : 1	Not specified tolerance according to: DS/ISO 2768-m	Sheet size: A3
		Surface properties: No	Sheet: 1 / 1	
	Part No.: M103094	Material:		
	Description 1: Right clamp arm, complete			
Description 2: with bearing and spikes				

Revision:	Approved	Date:	Revision Description
1	KL	12-11-2017	Made

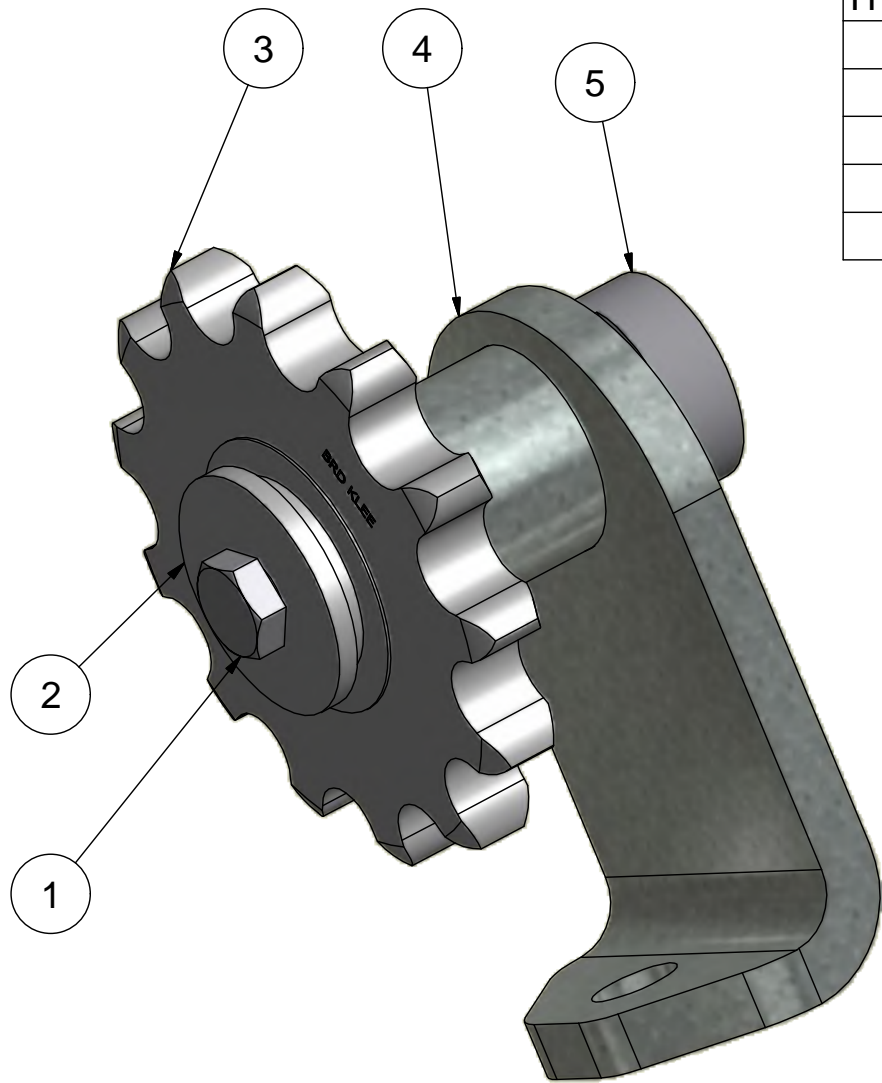
PARTS LIST				
ITEM	QTY	PART NUMBER	DESCRIPTION	
1	2	423423	Slide Bearing PAF 12070 P10	
2	2	76008020	Buttonhead bolt M8x20 FZB	
3	1	M100620	Roll for skin	
4	2	M100691	Gas spring 42-145-384-400N	
5	1	M100883	Roll flange for 15	



Break all edges

<small>Alle Rechte vorbehalten. Nachdruck, Vervielfältigung und Verbreitung, auch auszugsweise, ist ohne schriftliche Genehmigung der HEDENSTEDT GRUPPEN A/S.</small> HEDENSTEDT GRUPPEN A/S 	Scale: 1 : 2	Not specified tolerance according to: DS/ISO 2768-m	Sheet size: A3
		Surface properties: No	Sheet: 1 / 1
Part No.: M100884		Material:	
Description 1: Skin roll assembly 15			
Description 2:			



Revision:	Approved	Date:	Revision Description
1	HG	30-11-2015	Assembly instructions added



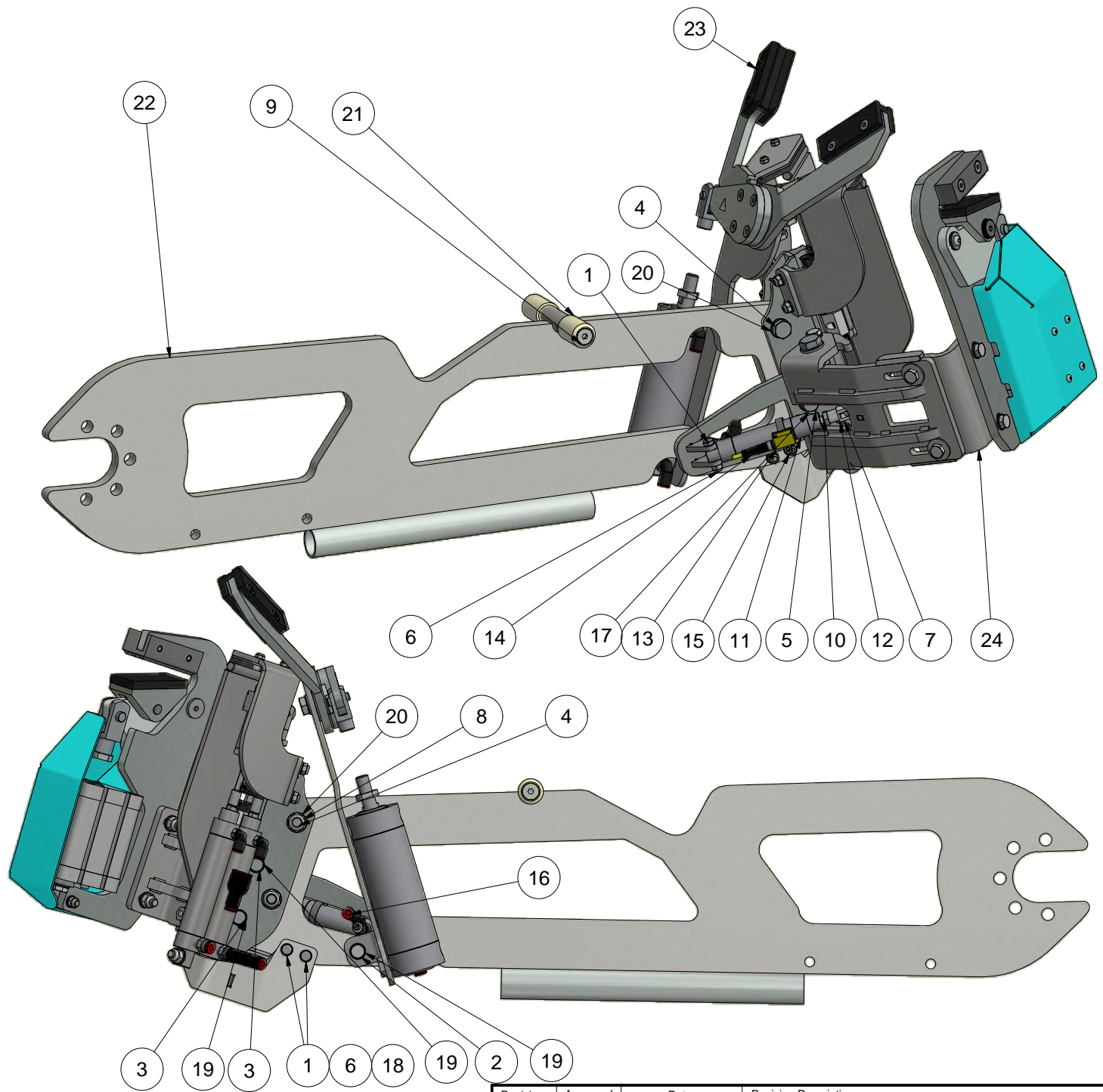
PARTS LIST

ITEM	QTY	PART NUMBER	DESCRIPTION
1	1	11408070	Hexagon bolt M8x70 FZB
2	1	4809335	Washer SRKB < 9x35x3 FZB
3	1	M100684	Chain wheel 12B1 Z-13 - < 16
4	1	M100885	12B chain tensioner plate
5	1	M101104	Counter nut for tensioner

Break all edges

This document is strictly confidential and must on no account be copied or disclosed to any third person. HEDENSTED GRUPPEN A/S		Scale: 1 : 1	Not specified tolerance according to: DS/ISO 2768-m	Sheet size: A4
			Surface properties: No	Sheet: 1 / 1
	Part No.: M100743	Material:		
	Description 1: Z13 chain tensioner			
Description 2:				

Revision:	Approved	Date:	Revision Description
1	HG	28-09-2015	Revision changed to numeric



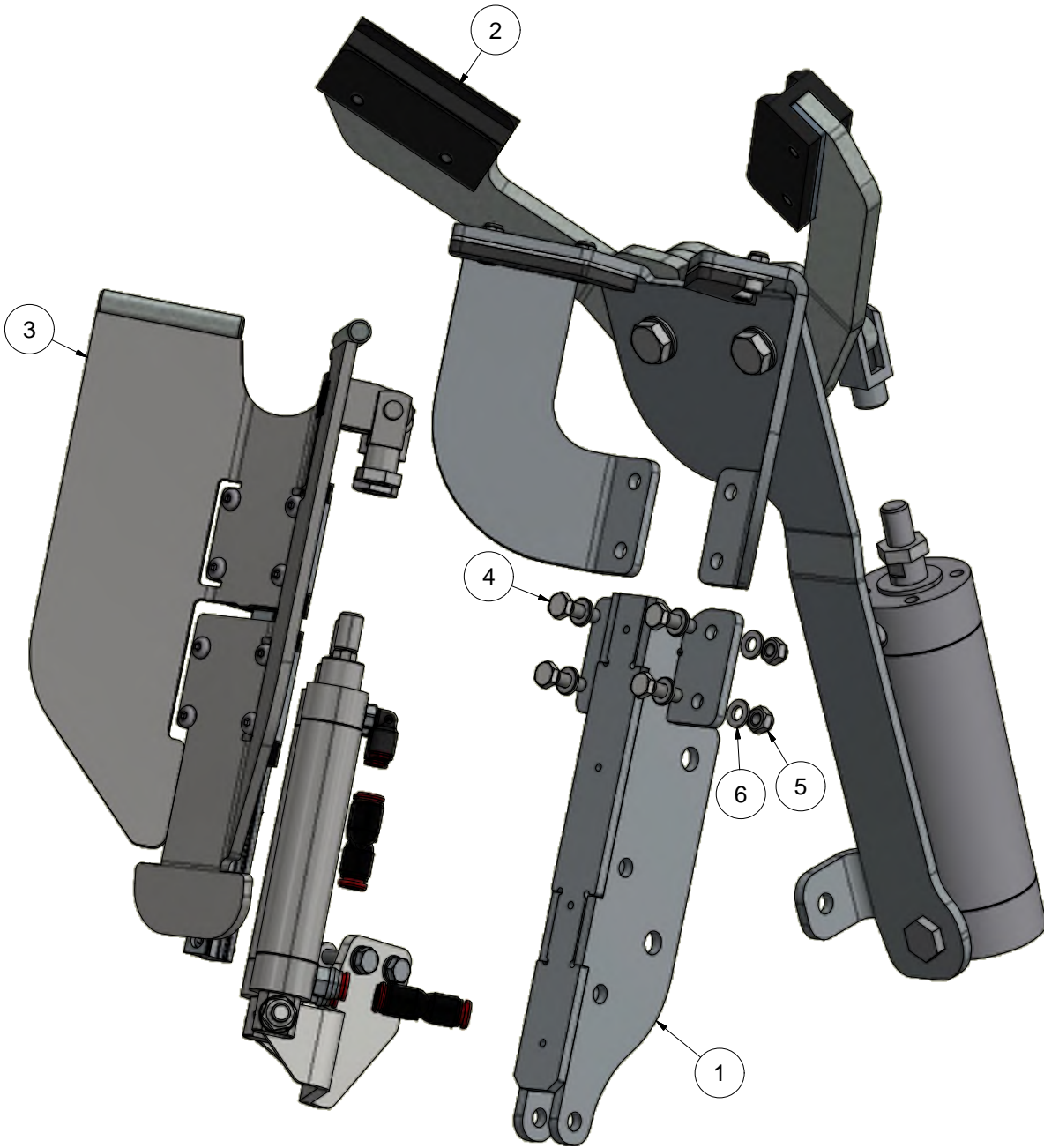
PARTS LIST

ITEM	QTY	PART NUMBER	DESCRIPTION
1	3	11406030	Hexagon bolt M6x30 FZB
2	1	11408020	Hexagon bolt M8x20 FZB
3	2	11408045	Hexagon bolt M8x45 FZB
4	1	11410040	Hexagon bolt M10x40 FZB
5	1	11410050	Hexagon bolt M10x50 FZB
6	3	17906000	Self-locking nut M6 FZB
7	2	17908000	Self-locking nut M8 FZB
8	2	17910000	Self-locking nut M10 FZB
9	2	20408055	Hexagon countersunk head M8x55 FZB
10	1	210421	Lock nut M8 FZB
11	1	211622	Cylinder RT/57220/M/40
12	1	214105	F-Bracket QM/57020/25
13	1	214311	Reed Inductive sensor for Roundline (Yellow)
14	1	214314	Cable w. plug M8 3P 3M
15	1	214319	Clamp for sensor < 8-25mm, KLP 25
16	1	215114	Flow control banjo swivel < 6 x 1/8"t
17	1	215754	Elbow swivel mini < 6 x1/8"t
18	4	82106000	Washer M6 FZB
19	3	82108000	Washer M8 FZB
20	4	82110000	Washer M10 FZB
21	2	M100669	support wheel
22	1	M100682	Skin pull arm
23	1	M100731	Leg skin clamp
24	1	M100732	Tail clamp assembly

Revision:	Approved	Date:	Revision Description
4	ALS	14/03/2018	Tail wing assembly changed

Break all edges

The information on this drawing is the property of HEIDENTED GRUPPEN AS. It is not to be copied, disseminated to any third parties, or used for any other purpose without the prior written consent of HEIDENTED GRUPPEN AS.		Scale:	1 : 4	Not specified tolerance according to:	DS/ISO 2768-m	Sheet size:	A3	
	Part No.:	M100730	Material:	Steel	Surface properties:	No	Sheet:	1/1
	Description 1:	Skin arm assembly						
	Description 2:	HG quick skin 14						

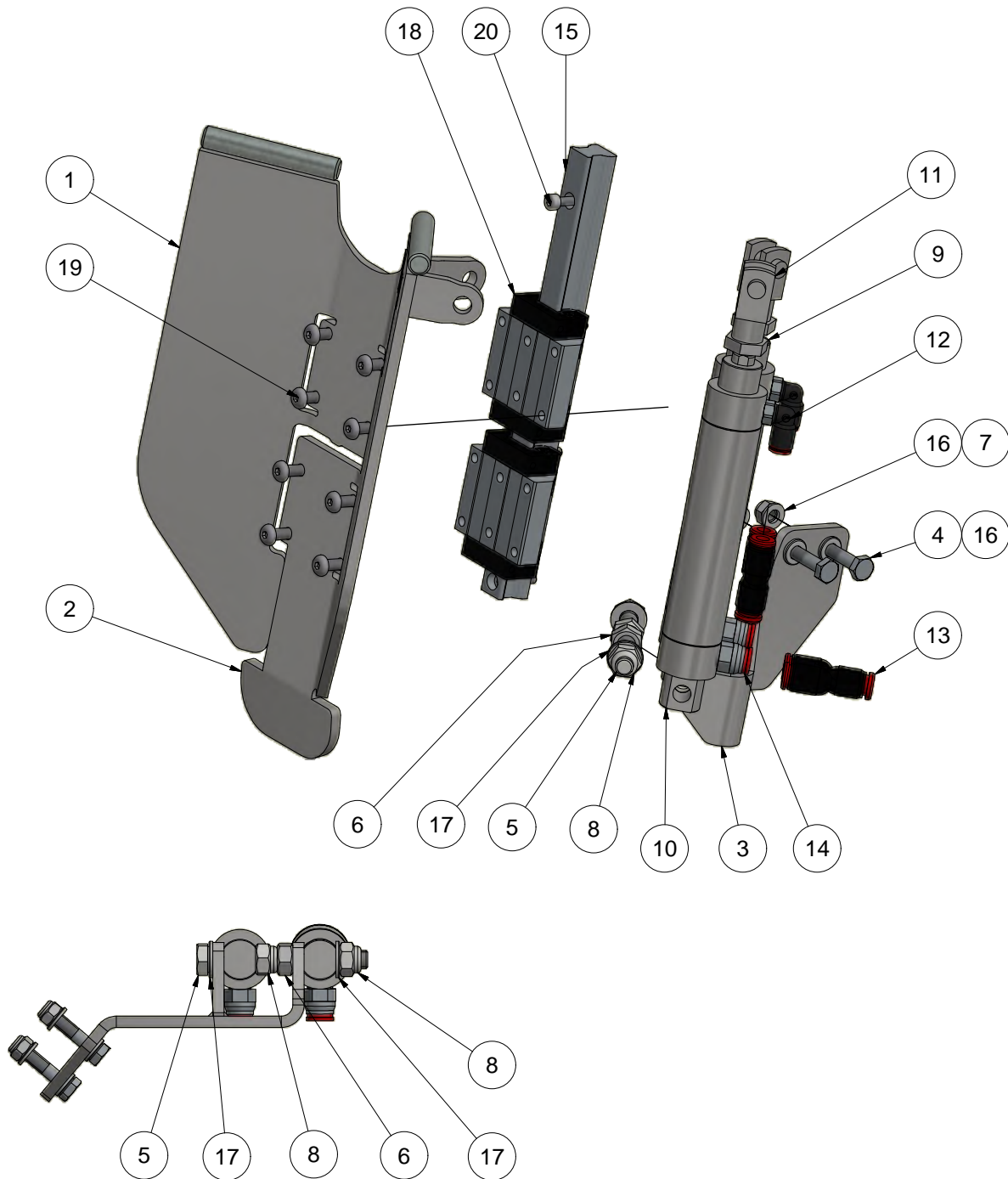


PARTS LIST			
ITEM	QTY	PART NUMBER	DESCRIPTION
1	1	M100678	Skin clamp base
2	1	M100720	Skin support clamp assembly
3	1	M103347	Skin clamp with 2 individual cylinders.
4	4	11406020	Hexagon bolt M6x20 FZB
5	4	17906000	Self-locking nut M6 FZB
6	8	82106000	Washer M6 FZB

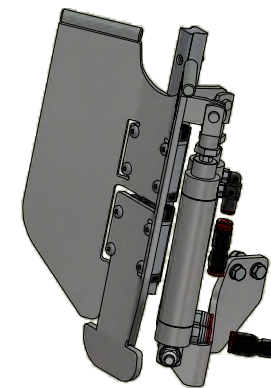
Break all edges

The information in this document is subject to change without notice. It is intended for internal use only and is not to be distributed to any third parties.	HG HEDENSTED GRUPPEN		Scale: 1:2	Not specified tolerance according to: DS/ISO 2768-m	Sheet size: A3
			Surface properties: No	Sheet: 1/2	
	Part No.: M100731		Material:		
Description 1: Leg skin clamp					
Description 2: HG quick skin 14					

Revision:	Approved	Date:	Revision Description
4	KL	07-05-2018	Splitted clamp changed to M103347



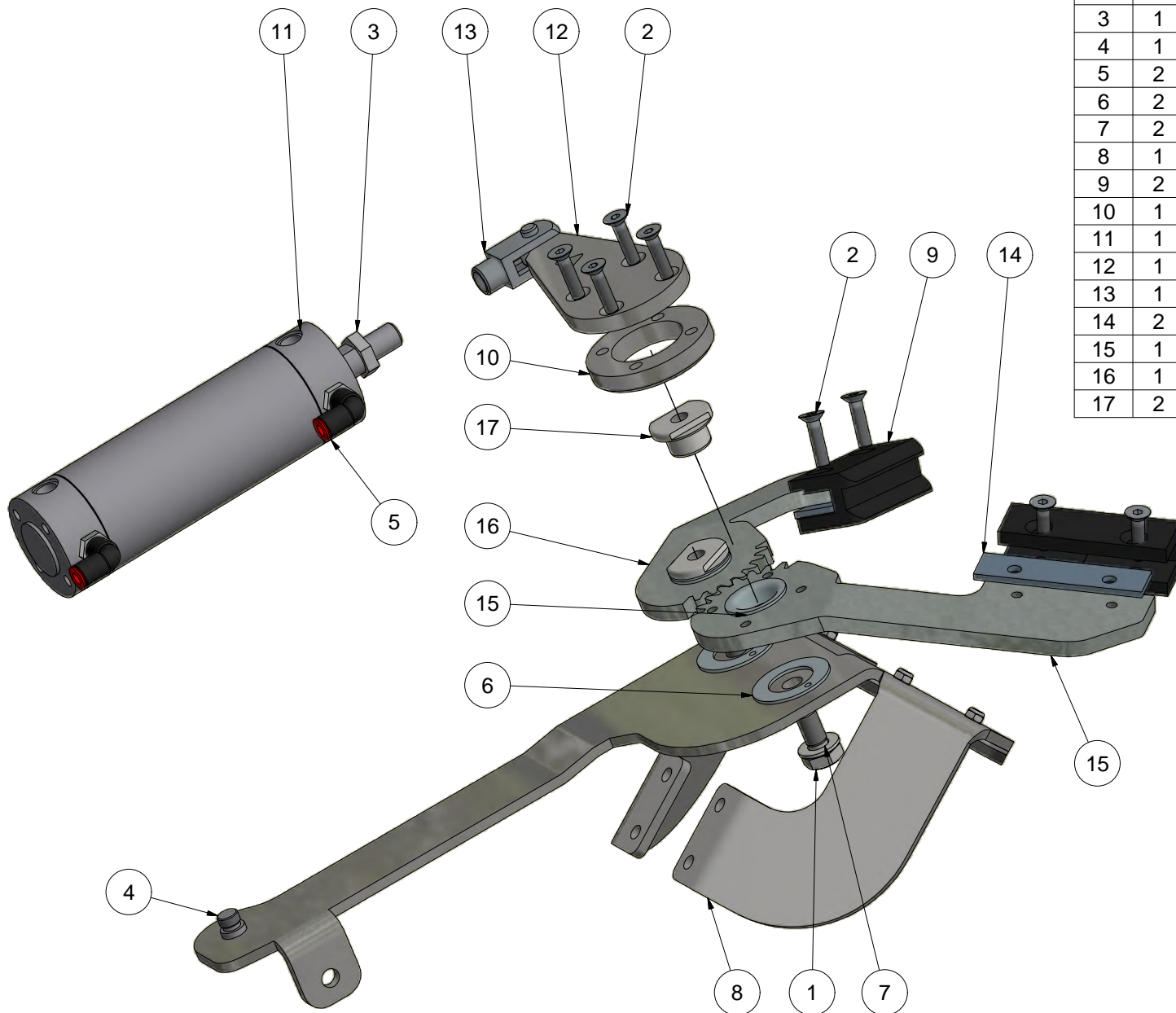
PARTS LIST			
ITEM	QTY	PART NUMBER	DESCRIPTION
1	1	M103190	Skin lock spade - left
2	1	M103214	Skin lock spade - right
3	1	M103230	Cylinder support
4	2	11406030	Hexagon bolt M6x30 FZB
5	1	11408070	Hexagon bolt M8x70 FZB
6	1	1508000	Nut M8 FZB
7	2	17906000	Self-locking nut M6 FZB
8	2	17908000	Self-locking nut M8 FZB
9	2	210427	Lock nut M10x1,25 FZB
10	2	211018	Cylinder RT/57225/M/80
11	2	214100	F-Bracket QM/57025/25
12	2	215730	Elbow swirvel < 6 x 1/8"t
13	2	215860	Y-connector 2x< 6 x < 6
14	2	215900	Straight connector < 6 x 1/8"t
15	1	222333	Ball guide rail s.15/209mm
16	4	82106000	Washer M6 FZB
17	2	82108000	Washer M8 FZB
18	2	222315	Ball runner block s.15 wide
19	8	76005012	Buttonhead bolt M5x12 FZB
20	4	10204016	Hexagon cylinder head M4x16 FZB



Break all edges

The data on this drawing is subject to change without notice and is not to be used for manufacturing purposes.	HG HEDENSTED GRUPPEN A/S		Scale: 1 : 2	Not specified tolerance according to: DS/ISO 2768-m	Sheet size: A3	
			Surface properties: No	Sheet: 1/1		
	Part No.: M103347		Material:			
	Description 1: Skin clamp with 2 individual cylinders.					
Description 2:						

Revision:	Approved	Date:	Revision Description
1	KL	07-05-2018	Made



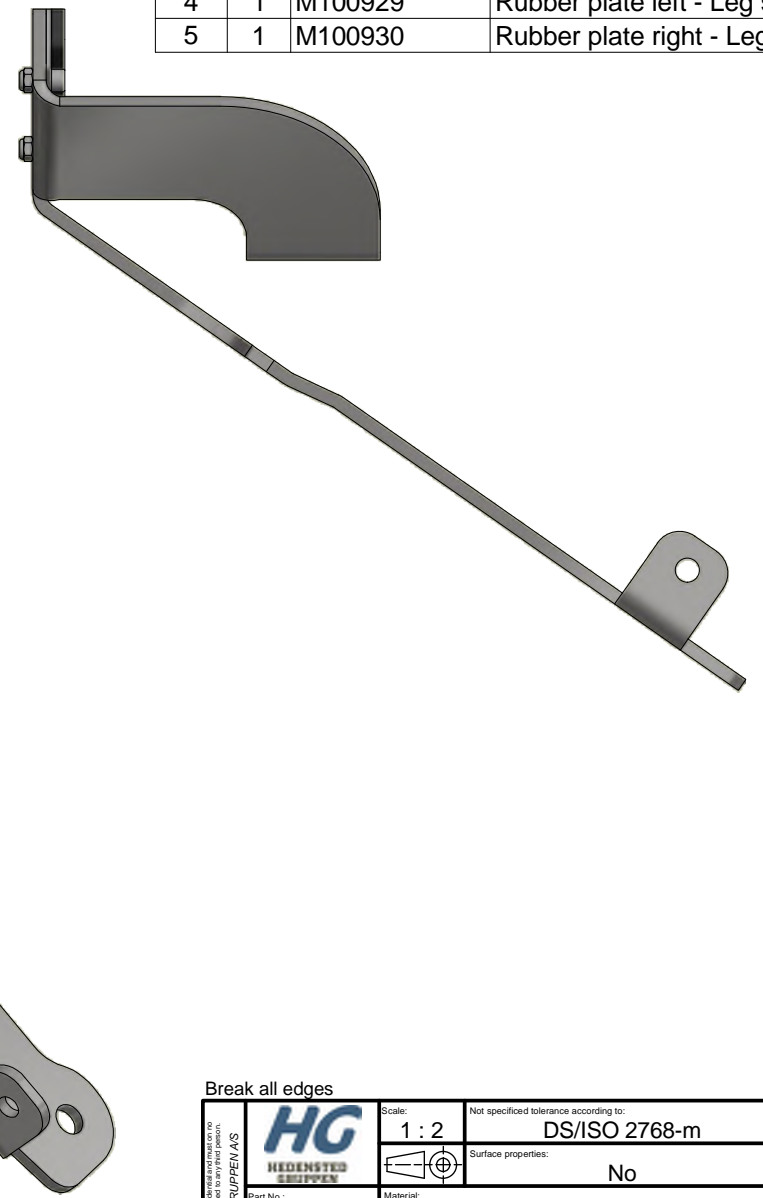
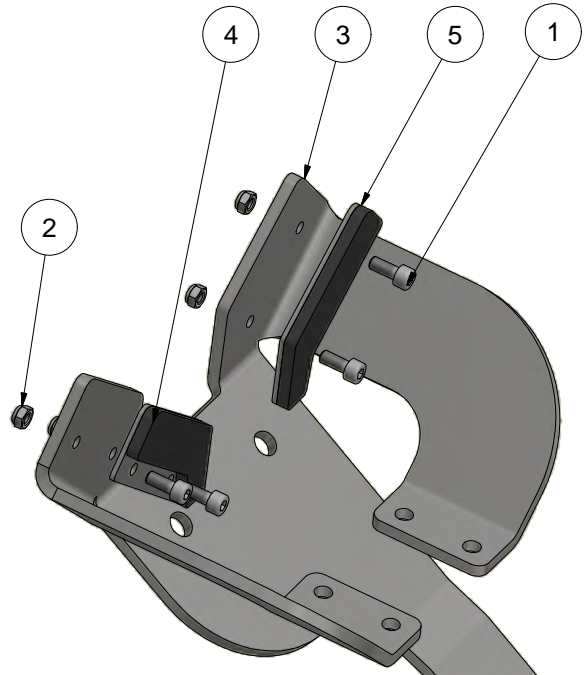
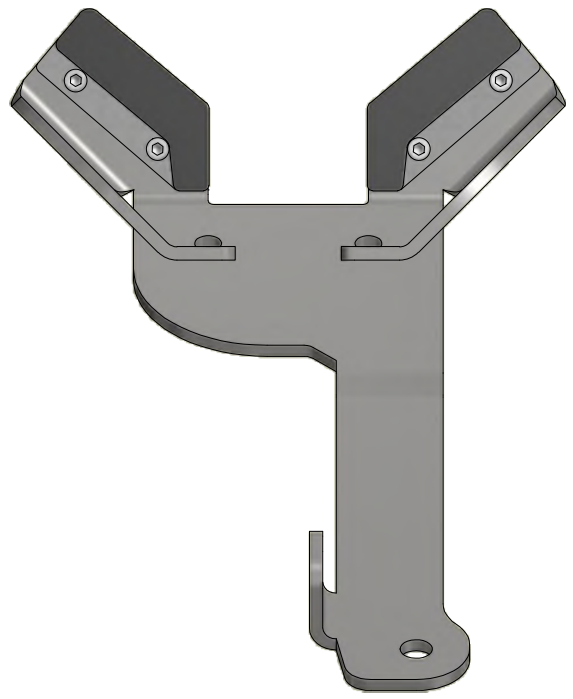
PARTS LIST			
ITEM	QTY	PART NUMBER	DESCRIPTION
1	2	11410020	Hexagon bolt M10x20 FZB
2	8	20406025	Hexagon countersunk head M6x25 FZB
3	1	210428	Lock nut M12x1,25 FZB
4	1	210460	H-Bolt M/P29134
5	2	215732	Elbow Swirvel < 6 x 1/4"t
6	2	222597	Slide washer < 22x< 38 x1,5
7	2	82110000	Washer M10 FZB
8	1	M100717	Front skin clamp
9	2	M100848	Skin support jaw
10	1	M100857	Spacer for 2. skin clamp
11	1	M100869	Cylinder RT/57250/M/80
12	1	M100872	Torque arm
13	1	M100878	Drilled up fork M12x1,25
14	2	M101487	Spacer for support clamp
15	1	M103096	Left skin arm, complete with bearing
16	1	M103097	Right skin arm complete with bearing
17	2	M200340	Shaft for arm

Break all edges

The data on this drawing is valid only for the part specified in the title block. It is not to be used for other parts without the approval of the design department.	HG HEDENSTED GRUPPEN		Scale: 1 : 2	Not specified tolerance according to: DS/ISO 2768-m	Sheet size: A3	
			Surface properties: No	Sheet: 1 / 2		
	Part No.: M100720		Material:			
	Description 1: Skin support clamp assembly					
Description 2: HG quick skin 14						

Revision:	Approved	Date:	Revision Description
2	KL	12-11-2017	Arms changed to assemblies with bearings

PARTS LIST			
ITEM	QTY	PART NUMBER	DESCRIPTION
1	4	10205012	Hexagon cylinder head M5x12 FZB
2	4	17905000	Self-locking nut M5 FZB
3	1	M100668	Stop plate
4	1	M100929	Rubber plate left - Leg skin
5	1	M100930	Rubber plate right - Leg skin

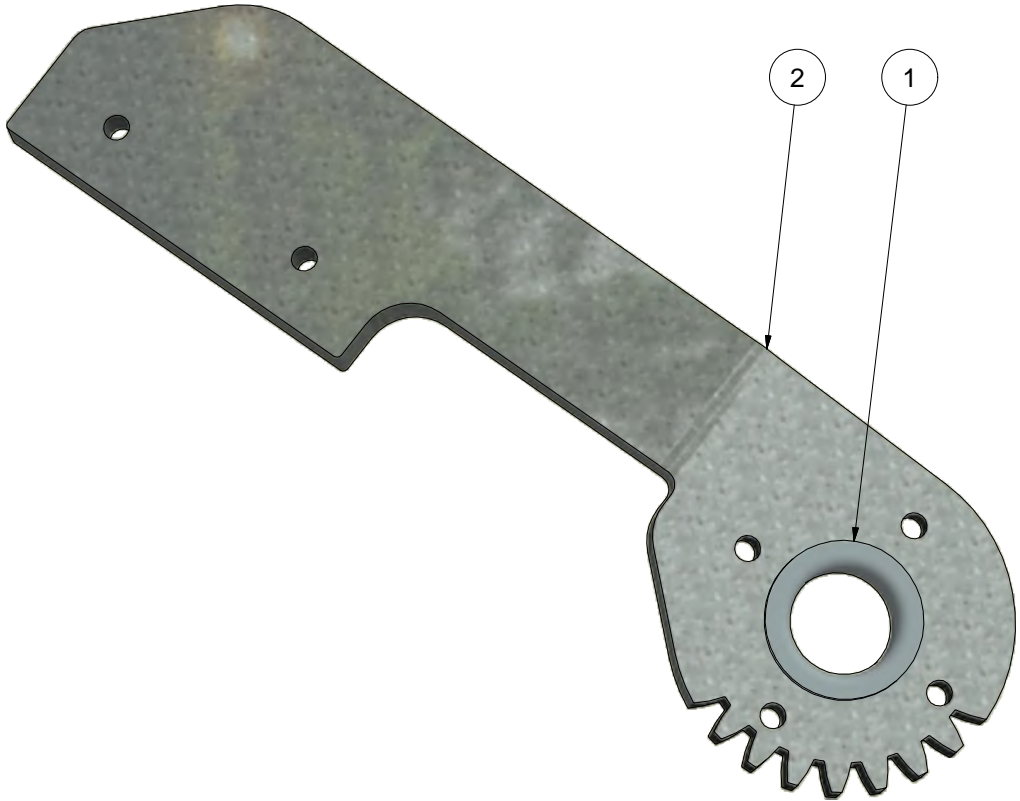


Break all edges


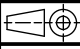
The information on this drawing is the property of HEDENSTED GRUPPEN AS and is not to be copied or disclosed to any third parties.	HG HEDENSTED GRUPPEN AS		Scale: 1 : 2	Not specified tolerance according to: DS/ISO 2768-m	Sheet size: A3	
			Surface properties: No	Sheet: 1 / 1		
	Part No.: M100717		Material:			
	Description 1: Front skin clamp					
Description 2: HG quick skin 14						

Revision:	Approved	Date:	Revision Description
1	HG	28-09-2015	Revision changed to numeric

PARTS LIST			
ITEM	QTY	PART NUMBER	DESCRIPTION
1	1	M100856	Slide bearing $\varnothing 20 \times 23 - 8\text{mm}$
2	1	M100871	Left skin arm



Break all edges

<small>Alle Maße sind in mm angegeben. Maßangaben in Klammern sind nur für den Informationszweck zu entnehmen. Maßangaben in Klammern sind nicht verbindlich. Maßangaben in Klammern sind nicht verbindlich. Maßangaben in Klammern sind nicht verbindlich.</small> HEDENSTED GRUPPEN A/S		Scale: 1 : 1	Not specified tolerance according to: DS/ISO 2768-m	Sheet size: A3
		Surface properties: No	Sheet: 1 / 1	
	Part No.: M103096	Material:		
Description 1: Left skin arm, complete with bearing				
Description 2: Quick skin				

Revision:	Approved	Date:	Revision Description
1	KL	12-11-2017	Made

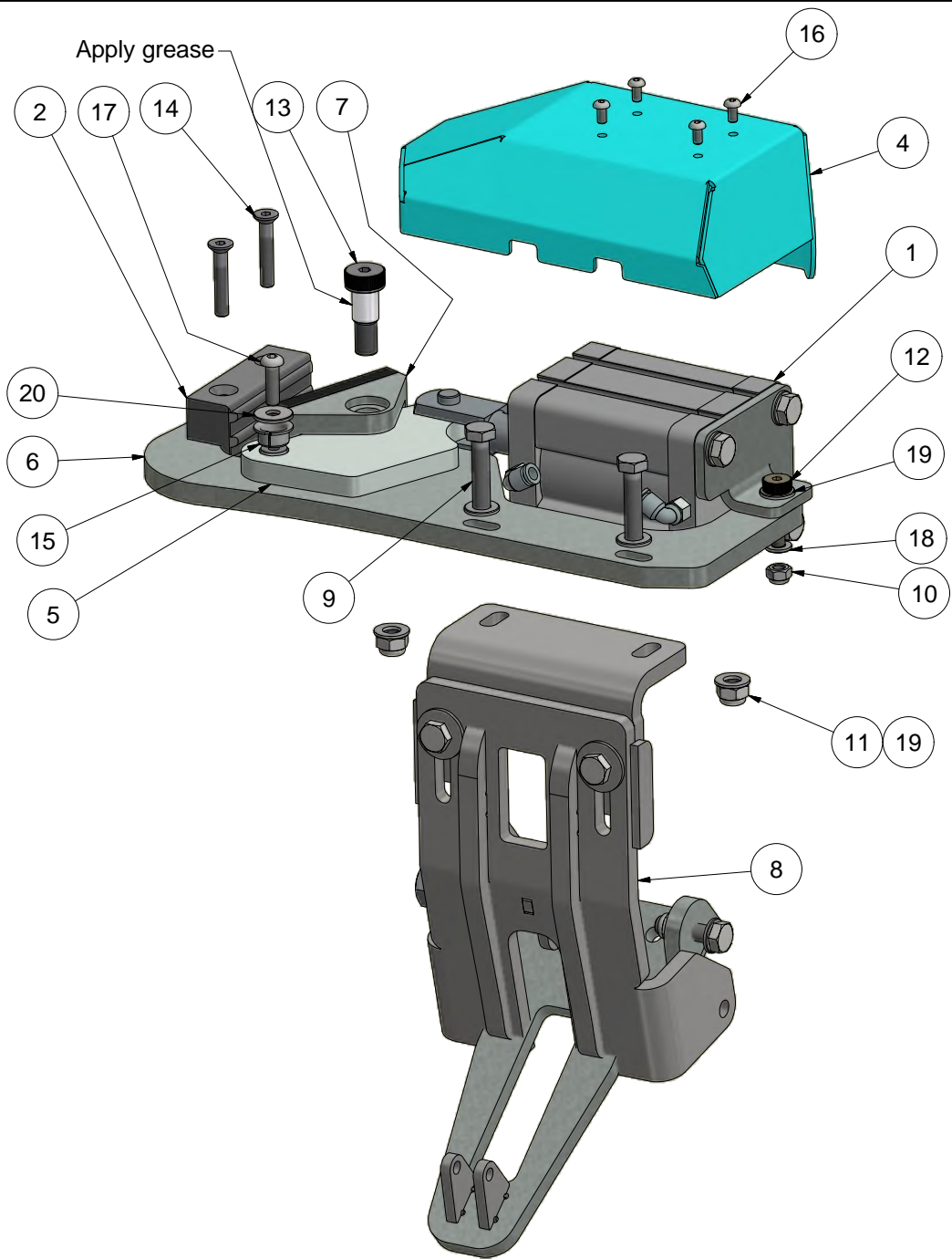
PARTS LIST			
ITEM	QTY	PART NUMBER	DESCRIPTION
1	1	M100856	Slide bearing $\varnothing 20 \times 23 - 8\text{mm}$
2	1	M100870	Right skin arm



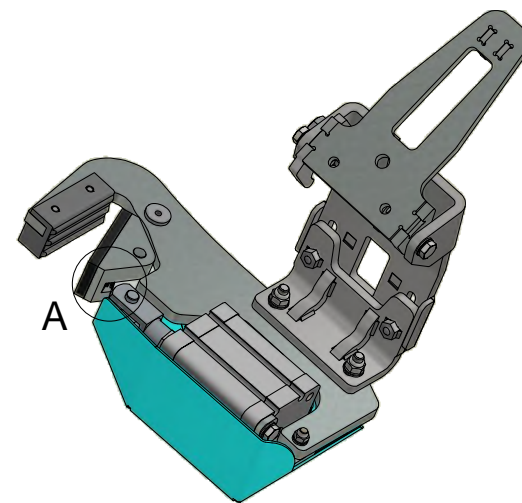
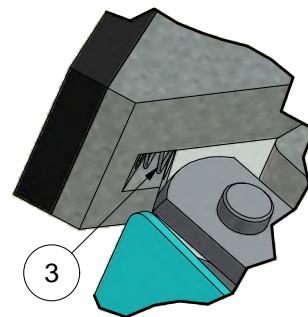
Break all edges

<small>Alle Rechte vorbehalten. Nachdruck, Vervielfältigung und Verbreitung, auch auszugsweise, ist ohne schriftliche Genehmigung der HEDENSTEDT GRUPPEN A/S.</small> HEDENSTEDT GRUPPEN A/S	Scale:	Not specified tolerance according to:	Sheet size:
	1 : 1	DS/ISO 2768-m	A3
		Surface properties:	Sheet:
	No	1 / 1	
Part No.:	Material:		
M103097			
Description 1:	Right skin arm complete with bearing		
Description 2:	Quick skin		

Revision:	Approved	Date:	Revision Description
1	KL	12-11-2017	Made



DETAIL A
SCALE (1:1)



PARTS LIST			
ITEM	QTY	PART NUMBER	DESCRIPTION
1	1	M100733	Cylinder assembly
2	1	M100836	Top tail clamp
3	1	M101120	Compression spring < 0,66 D6,1 L19,05
4	1	M101123	Cover for cylinder
5	1	M101126	Clamp plate
6	1	M101129	Base for swing clamp
7	1	M101130	Swing clamp
8	1	M103072	Tail clamp with height adjustment Kit
9	2	11408035	Hexagon bolt M8x35 FZB
10	1	17906000	Self-locking nut M6 FZB
11	2	17908000	Self-locking nut M8 FZB
12	1	20206016	Fitting bolt M6-8x16
13	1	20210016	Fitting bolt M10-12x16
14	2	20406035	Hexagon countersunk head M6x35 FZB
15	1	423423	Slide bushing < 12x< 14x7
16	4	76004008	Buttonhead bolt M4x8 FZB.ipt
17	1	76006020	Buttonhead bolt M6x20 FZB
18	1	82106000	Washer M6 FZB
19	5	82108000	Washer M8 FZB
20	1	82606000	Washer < 6,4x18x1,6 FZB

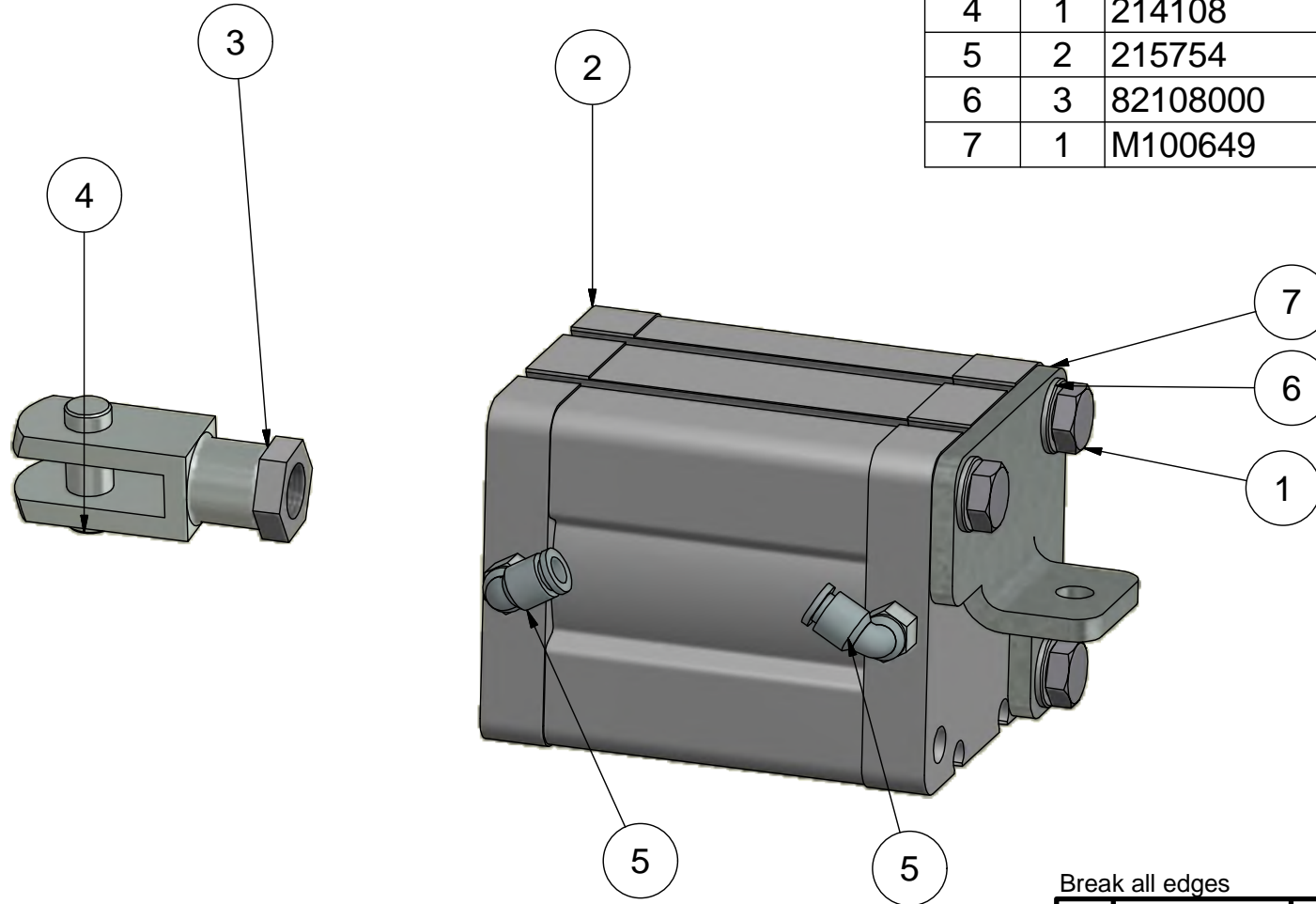
Break all edges

The data on this drawing is the property of HEDENSTED GRUPPEN AS and is to be kept confidential. It is not to be copied, reproduced or disclosed to any third party.		Scale: 1 : 4	Not specified tolerance according to: DS/ISO 2768-m	Sheet size: A3
	Part No.: M100732	Material:	Surface properties: No	Sheet: 1/1
	Description 1: Tail clamp assembly			
	Description 2: HG quick skin 14			



Revision:	Approved	Date:	Revision Description
3	ALS	14/03/2018	Tail wing assembly changed

PARTS LIST

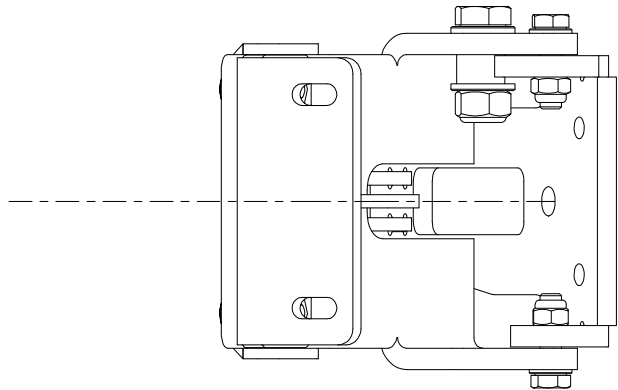
ITEM	QTY	PART NUMBER	DESCRIPTION
1	3	11408016	Hexagon bolt M8x16 FZB
2	1	210370	Cylinder RA/192063/M/50
3	1	210428	Lock nut M12x1,25 FZB
4	1	214108	F-Joint QM-57040-25
5	2	215754	Elbow swivel mini < 6 x1/8"t
6	3	82108000	Chamfered Washer M8 FZB
7	1	M100649	Cylinder bracket



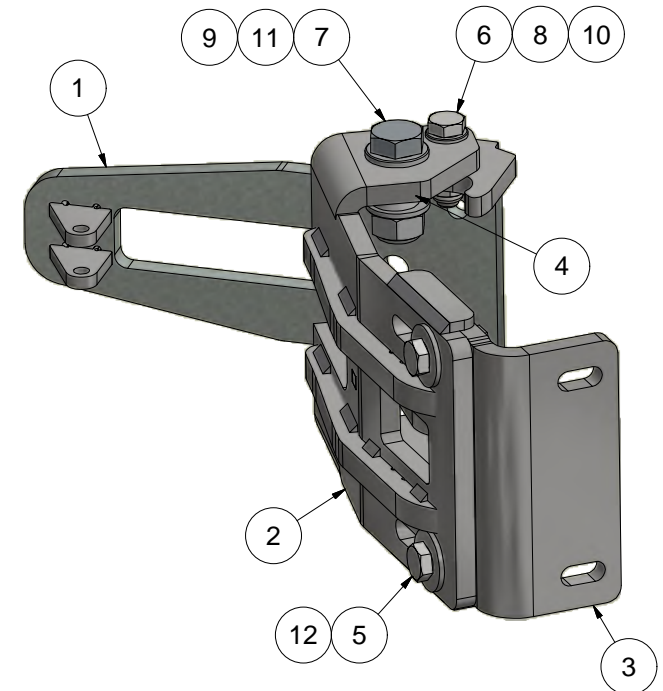
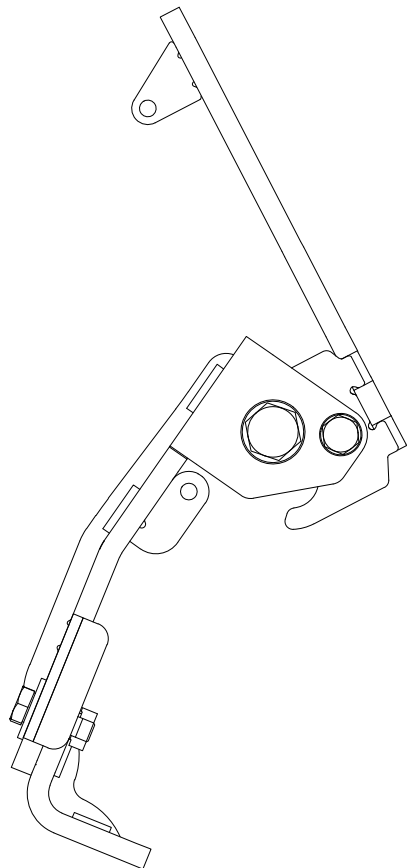
Break all edges

This document is strictly confidential and must on no account be copied or disclosed to any third person. HEDENSTED GRUPPEN A/S		Scale: 1 : 1,5	Not specified tolerance according to: DS/ISO 2768-m	Sheet size: A4
			Surface properties: No	Sheet: 1 / 1
	Part No.: M100733	Material:		
	Description 1: Cylinder assembly			
Description 2: HG quick skin 14				

Revision:	Approved	Date:	Revision Description
1	HG	28-09-2015	Revision changed to numeric



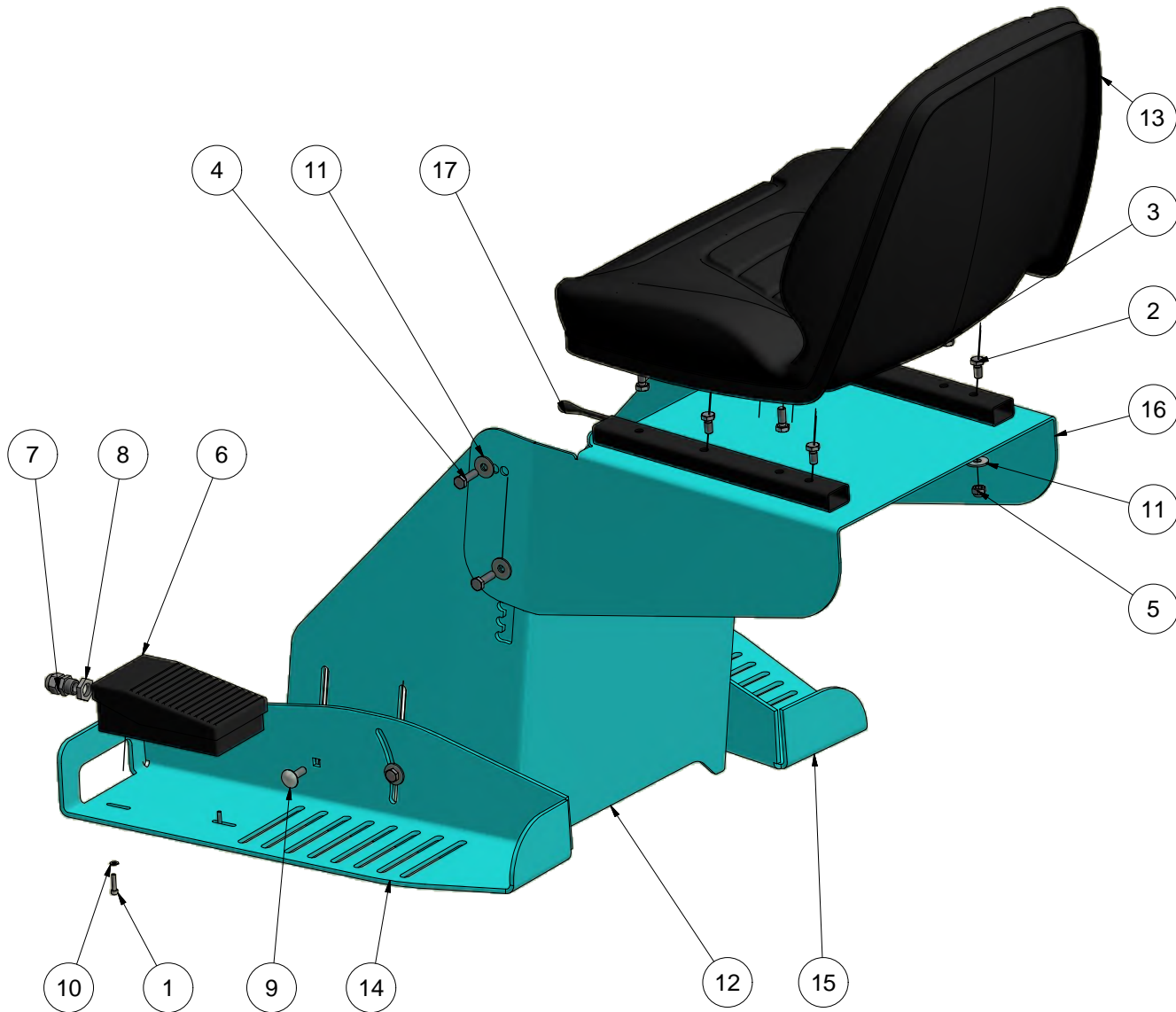
PARTS LIST			
ITEM	QTY	PART NUMBER	DESCRIPTION
1	1	M100875	Cylinder turn bracket
2	1	M103266	Tail wing with angle adjustment
3	1	M103271	Tail bracket with strut
4	1	M103316	Spacer f/ pulleys
5	2	11408025	Hexagon bolt M8x25 FZB
6	2	11408030	Hexagon bolt M8x30 FZB
7	1	11412035	Hexagon bolt M12x35 FZB
8	2	17908000	Self-locking nut M8 FZB
9	1	17912000	Self-locking nut M12 FZB
10	2	82108000	Washer M8 FZB
11	2	82112000	Washer M12 FZB
12	2	82608000	Washer < 8,4x24x2 FZB



Break all edges

The information on this drawing is the property of HEDENSTED GRUPPEN A/S. It is not to be copied, reproduced, disseminated or used for any other purpose without the prior written consent of HEDENSTED GRUPPEN A/S.		Scale: 1 : 2	Not specified tolerance according to: DS/ISO 2768-m	Sheet size: A3
	Part No.: M103072	Material: Welded Steel Mild	Surface properties: No	Sheet: 1 / 1
	Description 1: Tail clamp with height adjustment Kit			
	Description 2: Rebuild kit for Quick Skin			

Revision:	Approved	Date:	Revision Description
2	ALS	20/10/2017	Made



PARTS LIST			
ITEM	QTY	PART NUMBER	DESCRIPTION
1	6	10204018	Hexagon cylinder head M4x18 FZB
2	4	11408016	Hexagon bolt M8x16 FZB
3	4	11408020	Hexagon bolt M8x20 FZB
4	6	11408025	Hexagon bolt M8x25 FZB
5	12	17908000	Self-locking nut M8 FZB
6	3	489105	Foot pedal XPEA110
7	3	600460	Cable gland M16 < 2,5-8
8	3	600470	Cable gland nut polyamid M16
9	2	64408025	Cup head square neck bolt M8x25 FZB
10	6	82104000	Washer M4 FZB
11	18	82608000	Washer < 8,4x24x2 FZB
12	1	M100625	Leg guard
13	1	M100642	Napa seat - CNP5590000
14	1	M100651	Foot plate Left
15	1	M100652	Foot plate Right
16	1	M100661	Seat consol
17	1	M100729	Rails for seat



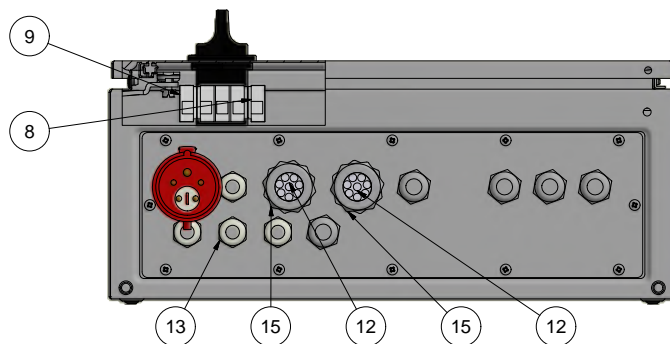
Break all edges

This drawing is a technical drawing and not a photograph. It is not to be used for manufacturing without the approval of the design department.		Scale:	1 : 5	Not specified tolerance according to:	DS/ISO 2768-m	Sheet size:	A3		
				Surface properties:	No	Sheet:	1/1		
	Part No.:	M100703						Material:	
	Description 1:	Seat consol assembly						Description 2:	HG quick skin 14

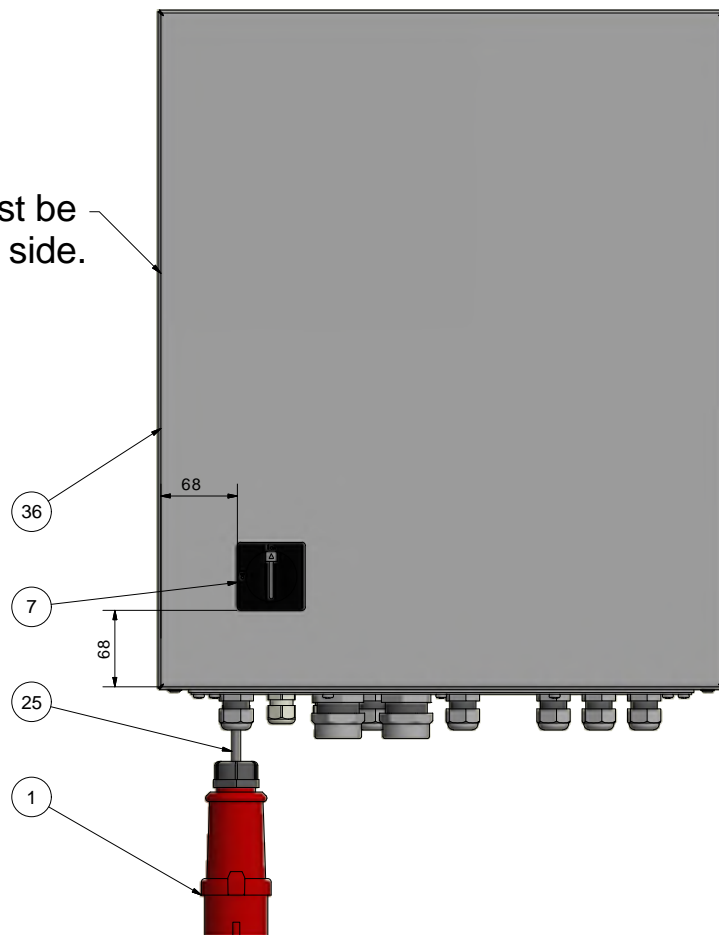
Revision:	Approved	Date:	Revision Description
2	KL	18-04-2018	Seat moved 40mm back. Consol changed

PARTS LIST

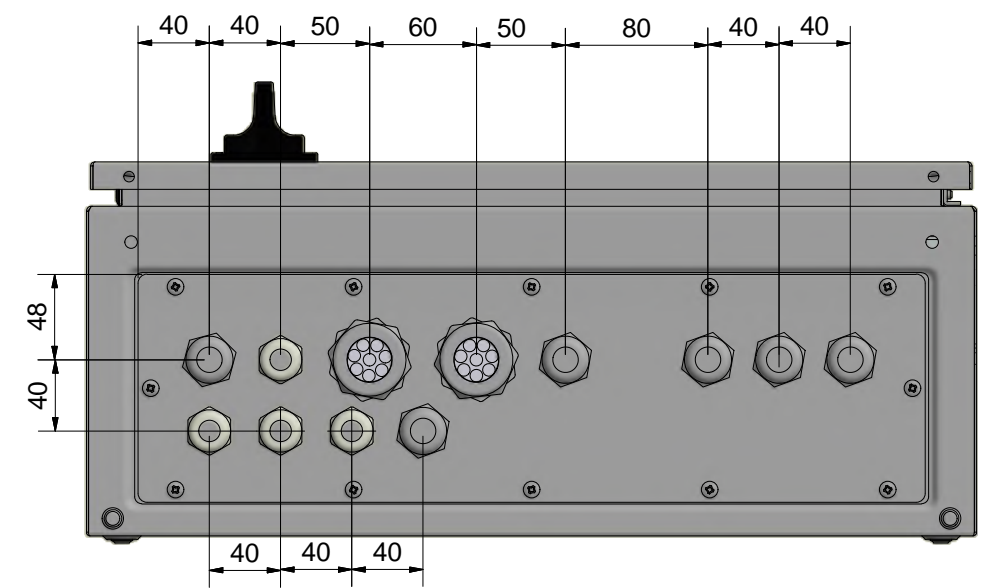
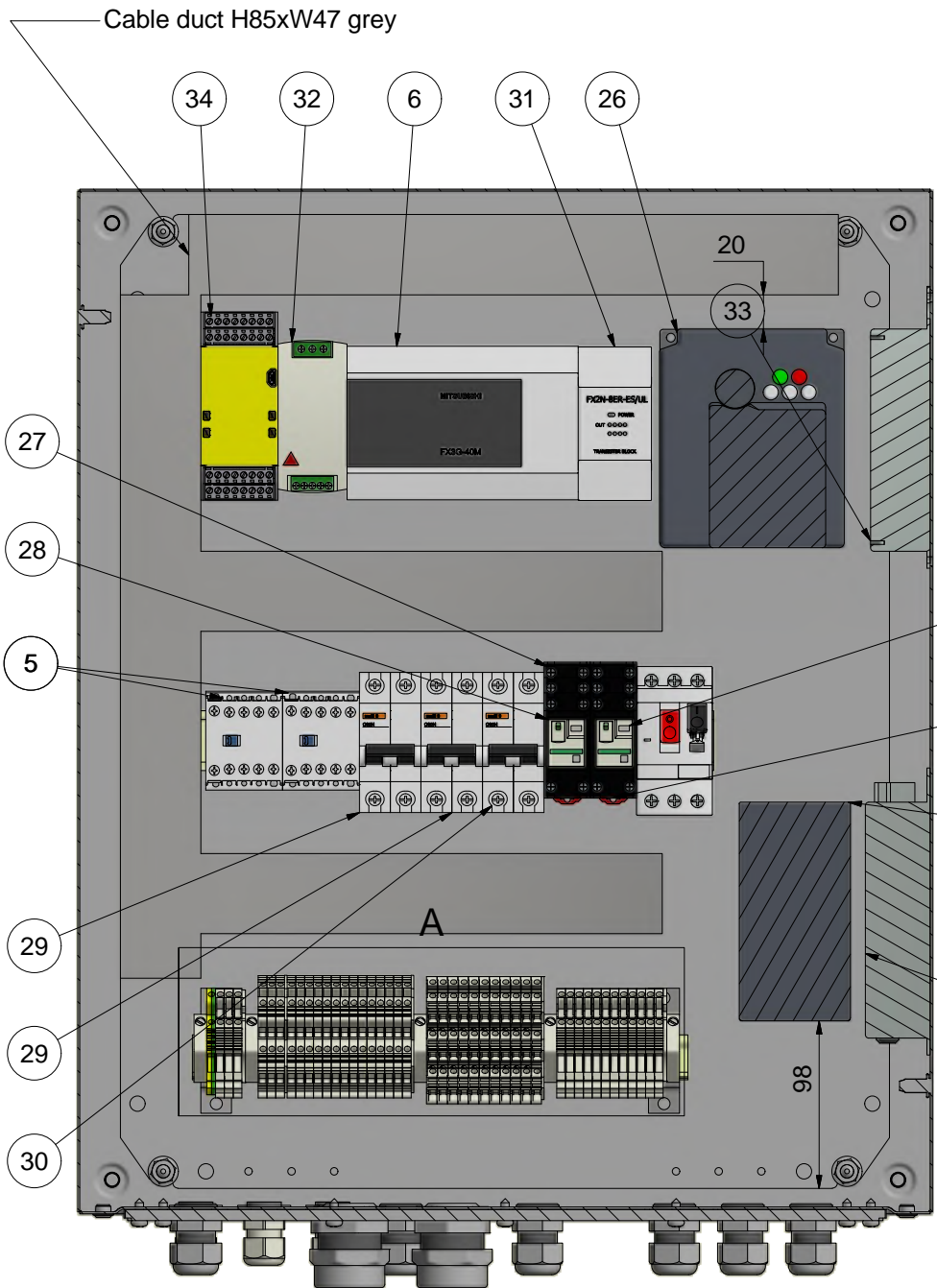
ITEM	QTY	PART NUMBER	DESCRIPTION
1	1	50171	CEE Plug male 5P/16A/400V Phase inverter
2	11	600112	Terminal block DLD 2.5/35
3	1	600125	End plate AP-DLD nr 131766
4	2	600130	Cross connector Q10 no131310
5	2	600282	Contacteur LP1K0901B 9A 3NO-1NC
6	1	600313	PLC Mitsubishi, FX3G-40MR/ES
7	1	600358	Main switch VBF-01 20A 3P Black
8	1	600359	Main switch zero terminal VZ-11
9	1	600369	Main switch ground terminal VZ-14
10	1	600380	Freq. Inverter 0,75kW. Mitsubishi 1x230V
11	1	600385	Low leak filter for FR-D720S-008 to 042
12	2	600429	Gasket Multihole M32 7x < 7
13	4	600455	Cabel gland M20 < 5-12
14	6	600465	Cable gland M25 < 7-14
15	2	600466	Cabel gland M32 < 15-24,5
16	4	600475	Cable gland nut polyamid M20
17	6	600480	Cable gland nut polyamid M25
18	2	600481	Cable gland nut polyamid M32
19	15	600550	Terminal block WDU_2,5
20	2	600555	End plate WAP 2,5-10
21	17	600560	Terminal block WDK 2,5
22	2	600565	End plate WAP DK 2,5
23	1	600585	Terminal block WPE 2,5
24	5	600590	End bracket EW 35
25	5,0 m	600640	Cable JZ 5x2,5mm PVC
26	1	600910	Freq. Inverter 1,5kW. Mitsubishi 1x230V
27	2	600930	Socket for RXM2
28	2	600935	Relay 12A 2C/0 w. led 24VDC
29	2	601035	Automatic fuse 16A C 1P+N
30	1	601095	Automatic fuse 10A C 1P+N
31	1	601255	PLC ext. module, 4 in + 4 out, FX2N-8ER-ES/UL
32	1	601275	Power supply 1P 24V 2,5A
33	1	601287	Low leak filter for FR-D720S-070
34	1	601342	Safety controller 24V SC26-2d
35	1	875096	Motor protection 0,25-0,40A
36	1	M100736	Electrical box 600x500x210
37	1	M10840	Electrical mounting 206330



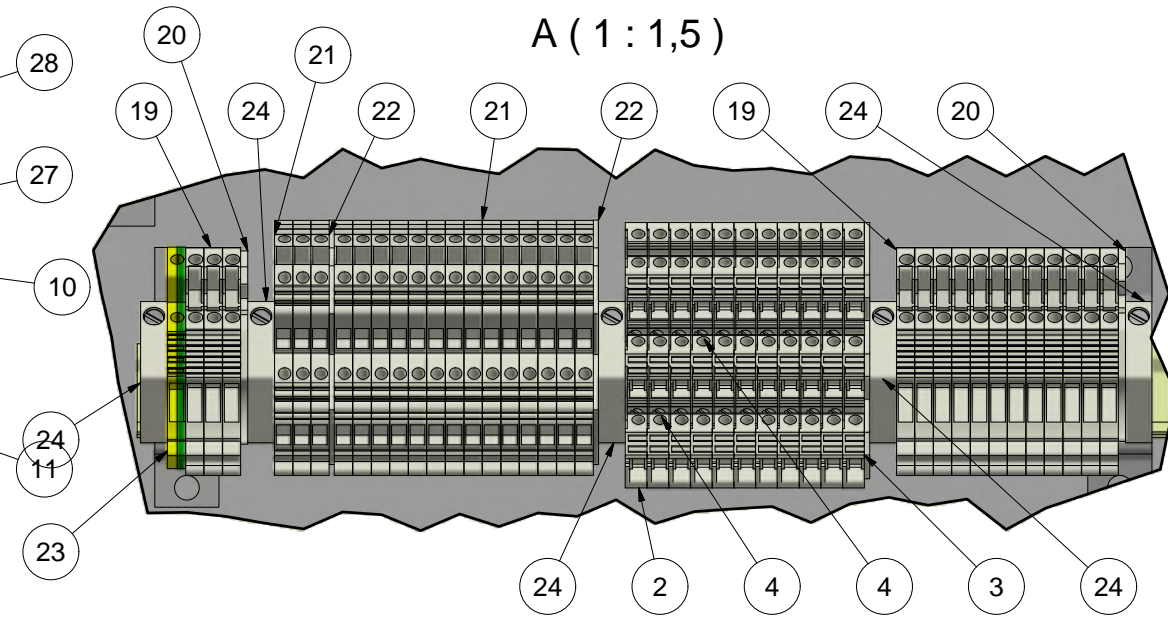
Hinges must be on this side.



Break all edges			
	Scale:	Not specified tolerance according to:	Sheet size:
	0,3 : 1	DS/ISO 2768-m	A2
	Surface properties:	No	Sheet:
			1 / 4
Part No:	Material:		
M100728			
Description 1: Electrical box assembly			
Description 2: HG quick skin 14			
Revision:	Approved	Date:	Revision Description
2	KL	07-12-2017	Holes for EMC filter added + terminal assignment



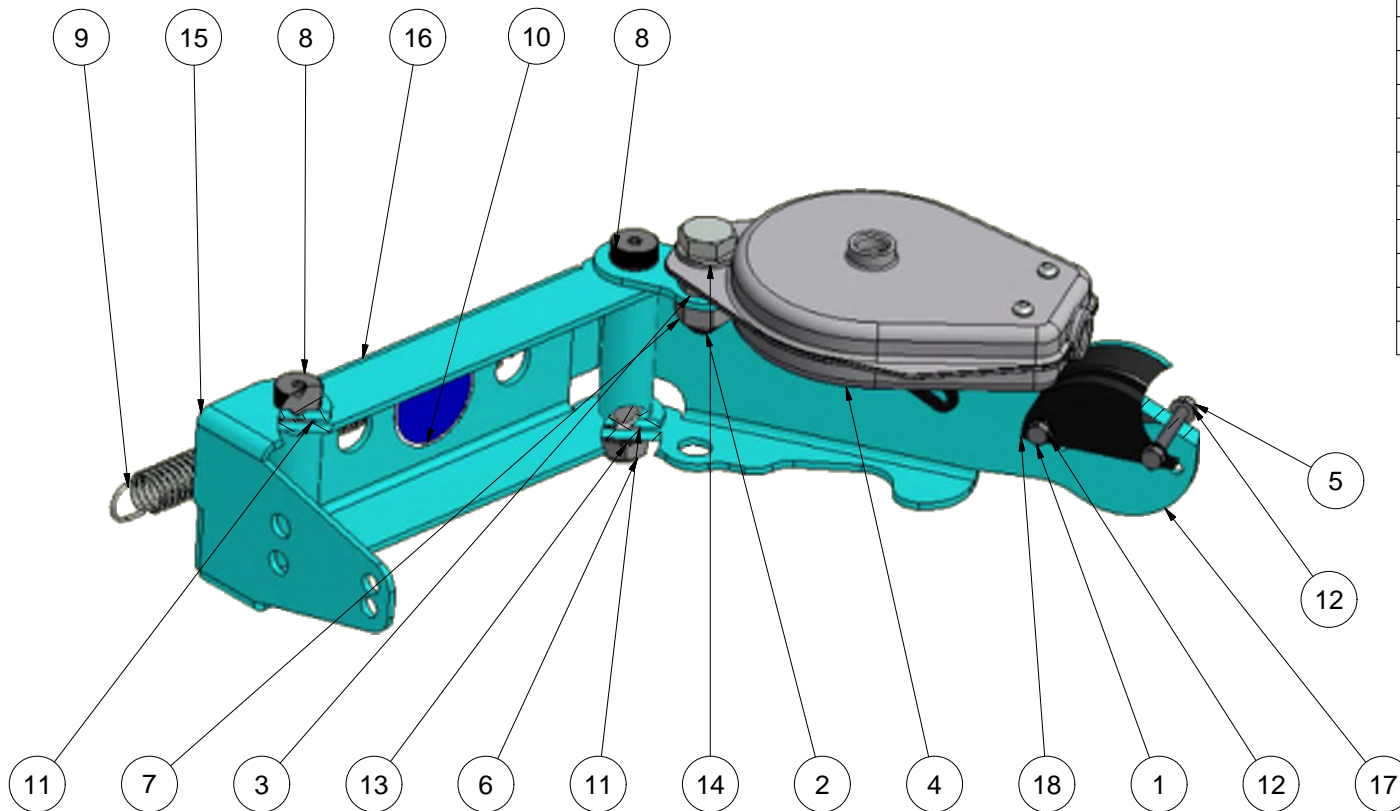
A (1 : 1,5)



Break all edges


The information on this drawing is property of HEDENSTEDT GRUPPEN A/S. It is not to be copied or disclosed to any third parties.		Scale: 0,3 : 1	Not specified tolerance according to: DS/ISO 2768-m	Sheet size: A3
		Material:	Surface properties: No	Sheet: 2 / 4
	Part No.: M100728	Description 1: Electrical box assembly		
	Description 2: HG quick skin 14			

Revision:	Approved	Date:	Revision Description
2	KL	07-12-2017	Holes for EMC filter added + terminal assignment



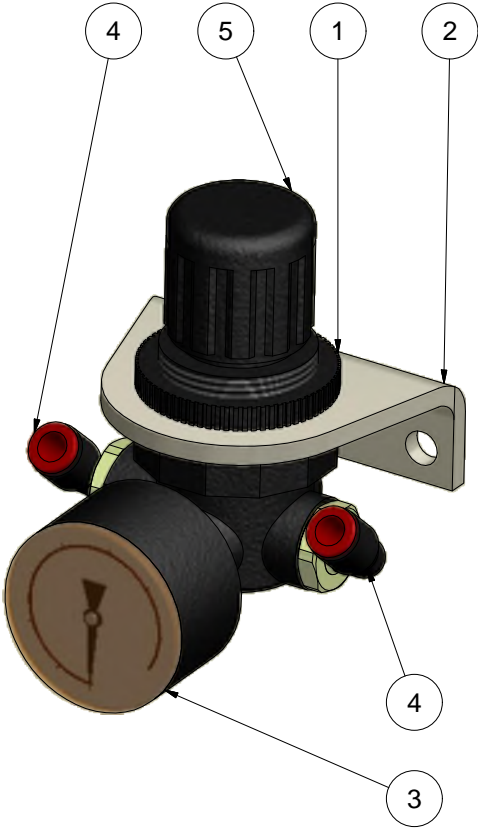
PARTS LIST			
ITEM	QTY	PART NUMBER	DESCRIPTION
1	2	11405040	Hexagon bolt M5x40 FZB
2	1	11412035	Hexagon bolt M12x35 FZB
3	1	1512000	Nut M12 FZB
4	1	175800	Siraflex spring balance, 1-2kg
5	2	17905000	Self-locking nut M5 FZB
6	2	17910000	Self-locking nut M10 FZB
7	1	17912000	Self-locking nut M12 FZB
8	2	20210070	Fitting bolt M10-12x70mm
9	1	207944	Extension spring 1,6-13,5x120
10	1	31010	Warning sign, Ear protec.
11	4	423423	Slide Bearing PAF 12070 P10
12	4	82105900	Chamfered Washer M5 FZB
13	2	82110000	Chamfered Washer M10 FZB
14	2	82112000	Chamfered Washer M12 FZB
15	1	M100632	Bracket for cutter
16	1	M100646	Cutter arm
17	1	M100647	Cutter arm - Front
18	1	M100675	Wire guide

Break all edges


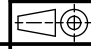
The data on this drawing is confidential and its disclosure to third parties is prohibited.	 HG HEDENSTED GRUPPEN A/S	Scale: 1 : 2	Not specified tolerance according to: DS/ISO 2768-m	Sheet size: A3
	Part No.: M100719	Material:	Surface properties: No	Sheet: 1 / 1
	Description 1: headcutter assembly			
	Description 2: HG quick skin 14			

Revision:	Approved	Date:	Revision Description
1	HG	28-09-2015	Revision changed to numeric

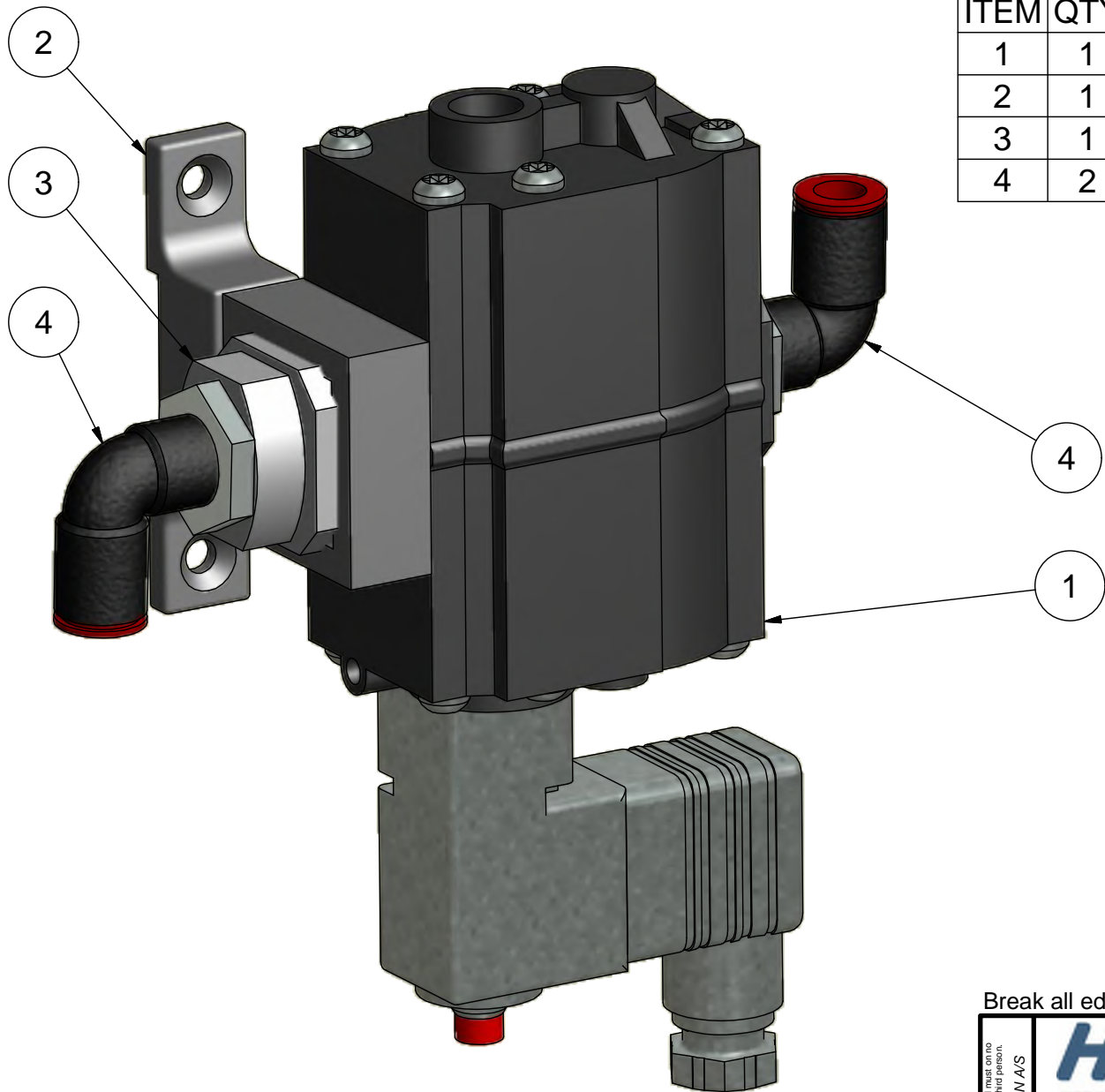
PARTS LIST			
ITEM	QTY	PART NUMBER	DESCRIPTION
1	1	206694	Panel mounting nut 2962-89
2	1	214180	Mounting brace
3	1	215550	Gauge 0-10 bar 1/8" < 40
4	2	215765	Elbow swivel < 6 x 1/4"
5	1	216204	Regulator 1/4" 0-10bar



Break all edges

<small>Alle afmetingen zijn afgelezen van de tekening en zijn niet gebaseerd op de werkdelen. Het is aan de afnemer bekend te maken dat de afmetingen kunnen afwijken van de werkdelen.</small> HEDENSTED GRUPPEN A/S		Scale: 1 : 1	Not specified tolerance according to: DS/ISO 2768-m	Sheet size: A3	
		Surface properties: No	Sheet: 1 / 1		
	Part No.: M100821	Material:			
	Description 1: Regulator unit	Description 2: HG quick skin 14			

Revision:	Approved	Date:	Revision Description
1	HG	28-09-2015	Revision changed to numeric



PARTS LIST			
ITEM	QTY	PART NUMBER	DESCRIPTION
1	1	197322	Soft-starter
2	1	210176	Mounting brace
3	1	210195	Insert
4	2	216537	Elbow swivel < 8 1/4"

Break all edges

This document is strictly confidential and must not be copied or disclosed to any third person. HEDENSTED GRUPPEN A/S		Scale:	Not specified tolerance according to:	Sheet size:	
		1 : 1	DS/ISO 2768-m	A4	
	Part No.:		Surface properties:		Sheet:
			No		1 / 1
Part No.:		Material:			
M100767					
Description 1:					
Soft-starter assembly					
Description 2:					
HG quick skin 14					

Revision:	Approved	Date:	Revision Description
1	HG	28-09-2015	Revision changed to numeric

Customer: Hedensted Gruppen A/S

Project: HG Quick Skin 14

Hedensted Gruppen A/S
Vejlevej 15a
DK-8722 Hedensted
TLF: 75 89 12 44
FAX: 75 89 11 80

VS AUTOMATIC

Ormhøjgårdvej 15
DK-8700 Horsens Tlf. 75641899

Project title: HG Quick Skin 14

Customer: Hedensted Gruppen A/S

Last printed: 11-12-2017

11:21:34

Last checked: 09-04-2015 09:33:18

Filename: QS 2014.04 400v

Case no.: QS 2014.04

Page: A

of 19

Index

Information	D
11-12-2017 11:08:20	
Declaration of incorporation	E
21-08-2012 12:44:52	
Main Circuit	1
07-08-2014 09:31:58	
Main Circuit	2
11-12-2017 11:11:12	
230VAC & 24VDC Control Circuit	3
22-01-2015 14:12:18	
Safe plc	3A
15-04-2015 10:55:58	
Emergency stop relay	4
22-01-2015 14:15:54	
Emergency stop Circuit	5
22-01-2015 14:14:56	
Frequency converter Control circuit	6
15-04-2015 10:55:44	
PLC	7
26-01-2015 11:45:10	
PLC Input X0 - X7	8
22-01-2015 14:11:34	
PLC Input X10 - X15	9
22-01-2015 14:14:08	
PLC Input X16 - X25	10
15-01-2015 09:44:38	
PLC Input X26 - X27 / X30 - X33	11
21-01-2015 11:52:16	
PLC Output Y0 - Y7	12
26-01-2015 11:49:36	
PLC Output Y10 - Y17	13
15-01-2015 10:09:48	
PLC Output Y20 - Y23	14
15-04-2015 11:50:06	
PLC list	15
26-01-2015 11:48:58	
Cable list	17
15-04-2015 13:14:52	

Information

WIRE IDENTIFICATION:

The wire is identified with the terminal number of the component.

WIRE COLOUR:

MAIN CIRCUIT:	Phase	Black
	Neutral	Light blue
DC CONTROL CIRCUIT:	24VDC	Dark blue
	0VDC	White

THE FOLLOWING COLOUR ID IS TAKEN FROM DS/EN 60757

BK	BLACK
BN	BROWN
RD	RED
OG	ORANGE
YE	YELLOW
GN	GREEN
BU	BLUE
VT	VIOLET
GY	GREY
WH	WHITE
PK	PINK

ALL SYMBOLS USED IS TAKEN FROM DS/EN 166

The following mounting wires must be used unless other instructions is noted.
Main circuit:

400VAC Phase = H07V2-K 1x2,5-4-6-10-16-25-35-50mm² Black
400VAC Neutral = H07V2-K 1x2,5-4-6-10-16-25-35-50mm² Light Blue
400VAC Ground = H07V2-K 1x2,5-4-6-10-16-25-35-50mm² Yellow/Green

230VAC Phase = H07V2-K 1x1,5mm² Black
230VAC Neutral = H07V2-K 1x1,5mm² Light Blue
230VAC Ground = H07V2-K 1x1,5mm² Yellow/Green

24VDC Phase = H07V2-K 1x0,75mm² Dark Blue
24VDC Neutral = H07V2-K 1x0,75mm² White
24VDC Ground = H07V2-K 1x0,75mm² Yellow/Green

All wire ends must be fitted with pins or cable shoes before mounting.

Marking of components, terminals, wires, cables.
Are according to standard DS / EN 60204-1 and electrical diagram

DECLARATION OF INCORPORATION

Directive 2006/42/EF, Annex II, B

Manufacturer

Firm: VS AUTOMATIC A/S
Address: Ormhøjgårdvej 15
DK-8700 Horsens
Phone: +45 75 64 18 99
Fax: +45 75 64 18 09
Email: info@vs-automatic.dk

Herewith declares that

Component: Controlpanel
Type: QS 2014.04 400v Year of manufator: 2014

is intended to be incorporated into machinery or to be assembled with other machinery to constitute machinery covered by Directive 2006/42/EC

does therefore not in every respect comply with the provisions of this directive
does comply with the provisions of the following other EC directives

EC directives

EC machine directive 89/392/EEC, as per 91/386/EEC, 93/68/EEC, 93/44/EEC

EC low-voltage directives 73/23/EEC, as per 93/68/EEC, 93/465/EEC

EC EMC directive 89/336/EEC as per 92/31/EEC, 93/68/EEC, 93/465/EEC

Harmonized standards

EN60204-1 Safety of Machinery Electrical Equipment of Machines

EN60439-1 Low-voltage switchgear and controlgear assemblies part 1: Type-tested and partially type-tested assemblies

And furthermore declares that it is not allowed to put the machinery into service until the machinery into which it is to be incorporated or of which it is to be a component has been found and declared to be in conformity with the provisions of Directive 98/37/EC and with national implementation legislation i.e. as a whole, including the machinery referred to in this declaration

Machine: HG Quick Skin 14
Machine No.:
Type: Year of manufator: 2014
Manufacturer: Hedensted Gruppen A/S

Identification of signature:

Firm: VS AUTOMATIC A/S
Address: Ormhøjgårdvej 15
DK-8700 Horsens

Date: Signature

11-12-2017

Torben Steffensen

VS AUTOMATIC

Ormhøjgårdvej 15
DK-8700 Horsens
Tlf. 75641899

Type: Hedensted Gruppen A/S

Project: HG Quick Skin 14

File: QS 2014.04 400v

Printed: 11-12-2017

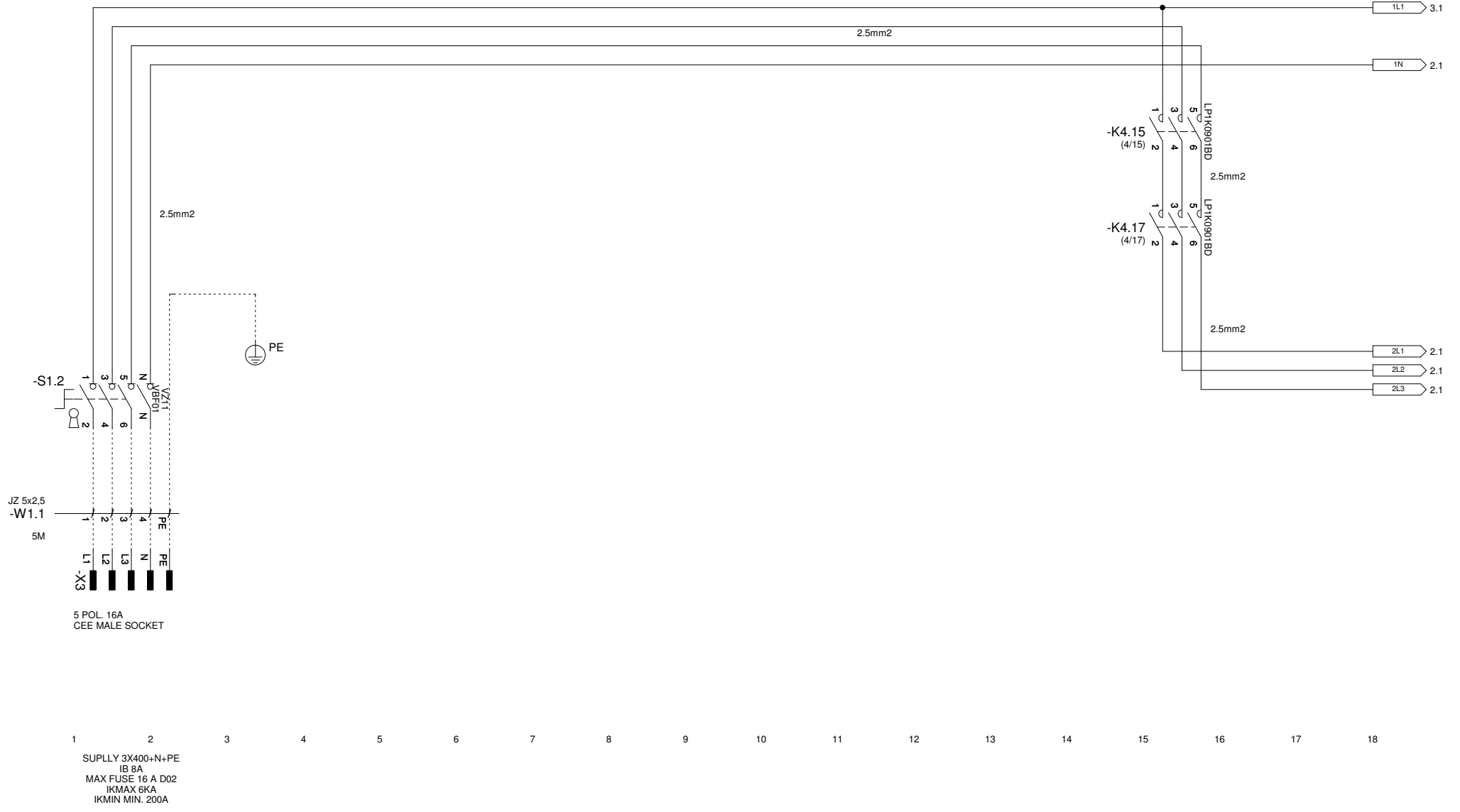
11:21:34

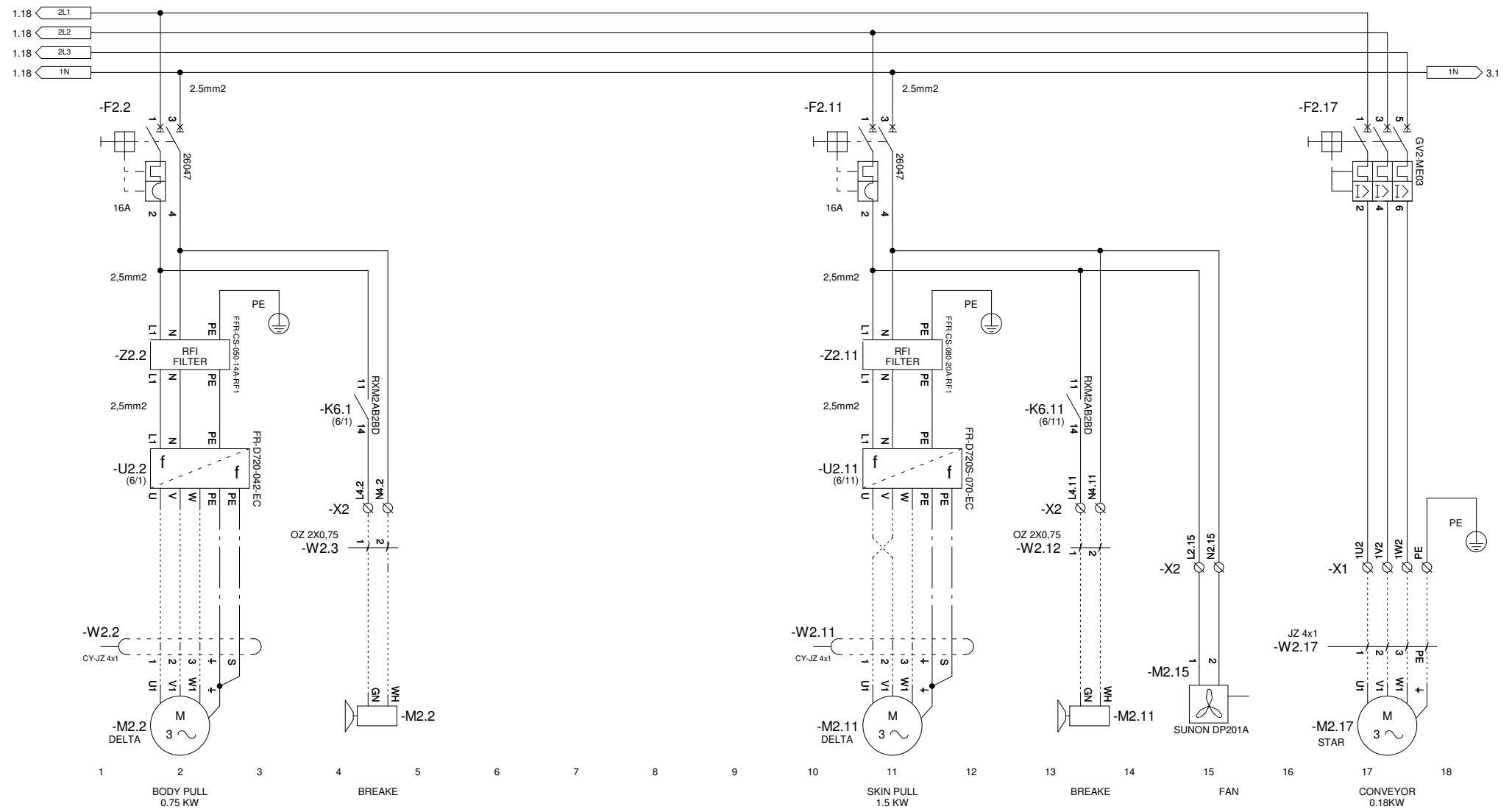
Case no.: QS 2014.04

Changed: 21-08-2012 12:44:52

Page: E

of 19





Tlf. 75 64 18 99 - vs-automatic.dk

En del af **TS GRUPPEN** - Danmarks stærkeste El & Energi-installatører

Customer: Hedensted Gruppen A/S

Project: HG Quick Skin 14

Pagetitle: Main Circuit

Designer: TBT

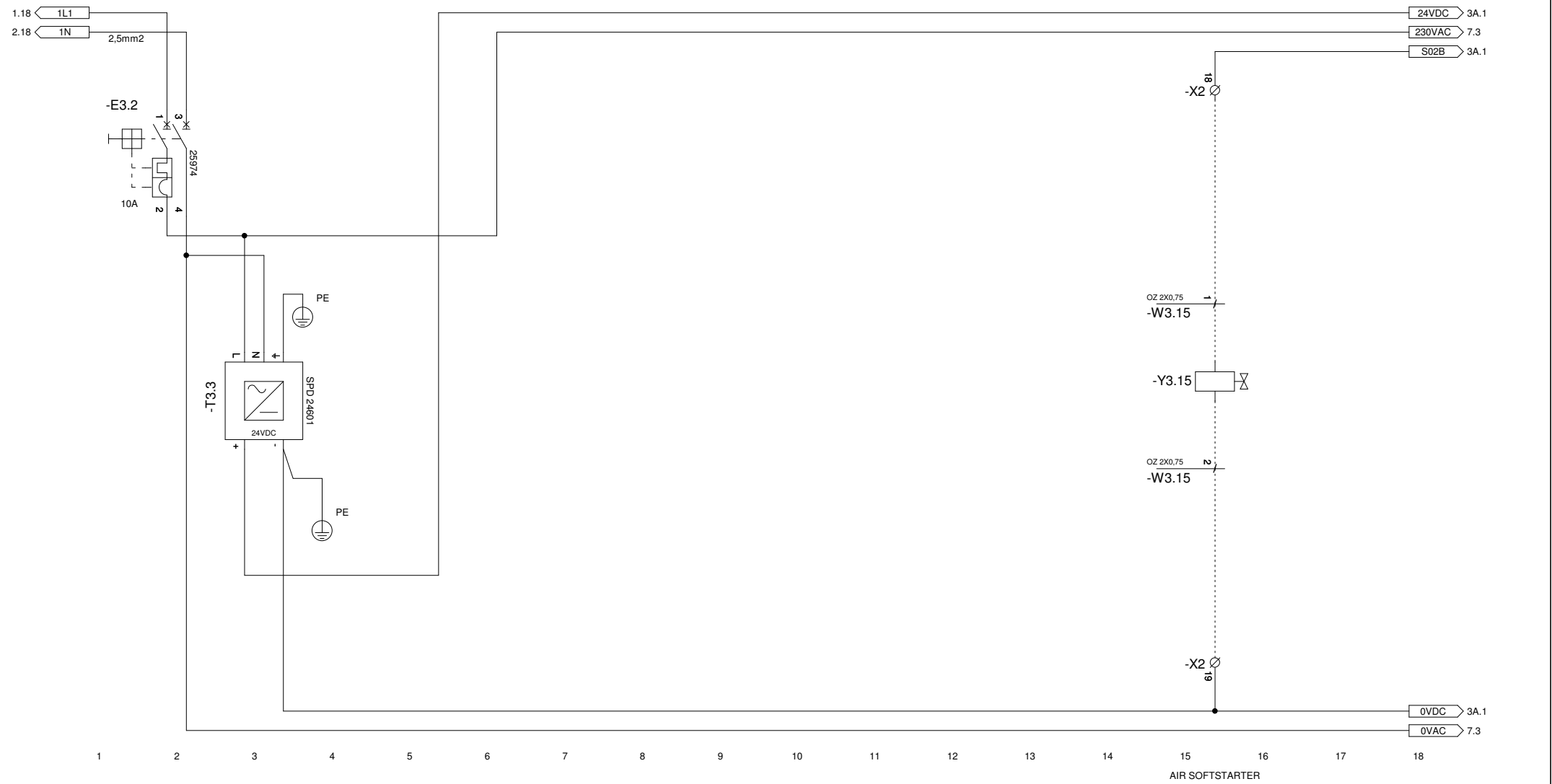
Last prt: 11-12-2017

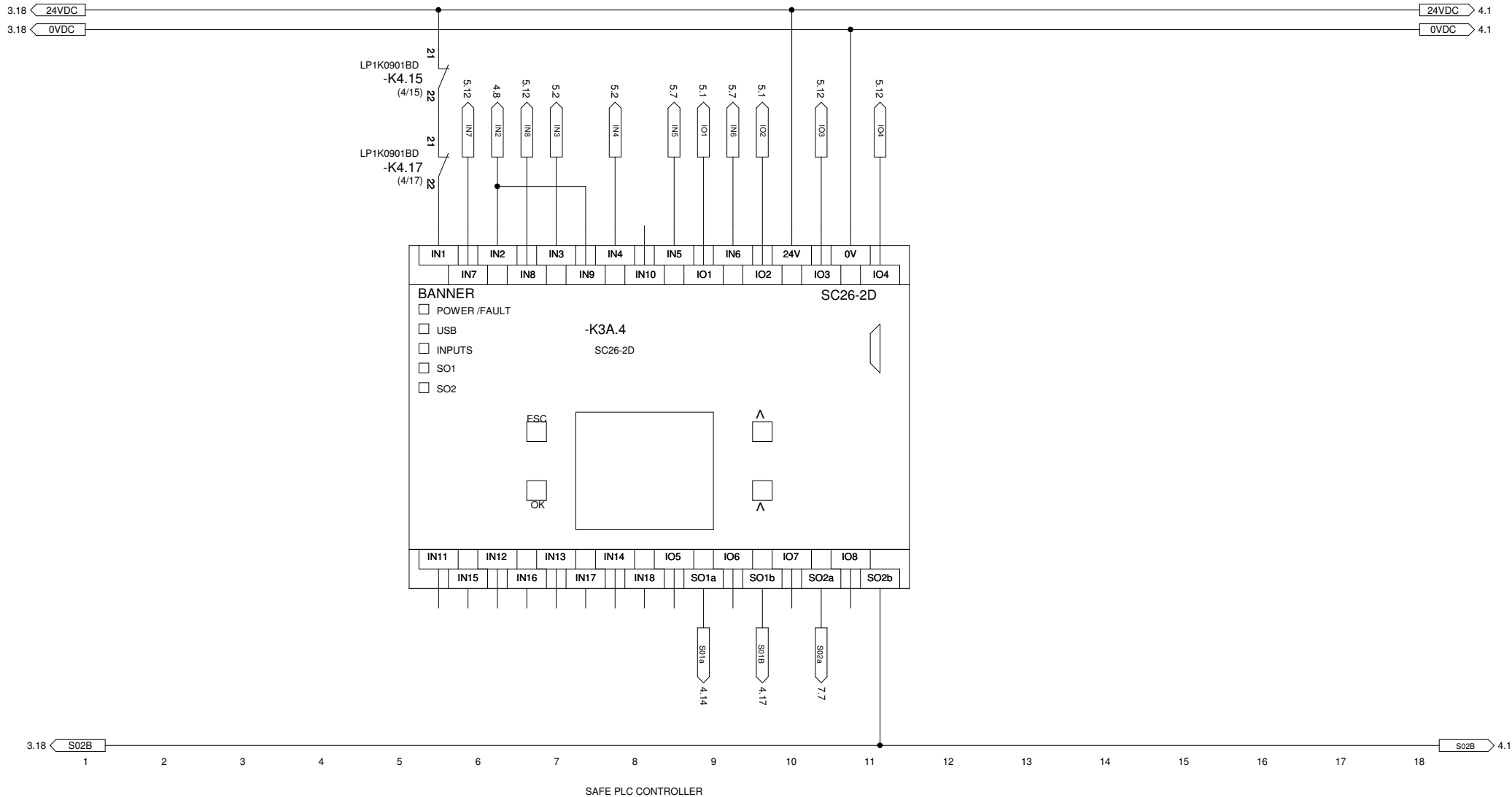
Last changed: 11-12-2017

Case no: QS 2014.04 400v

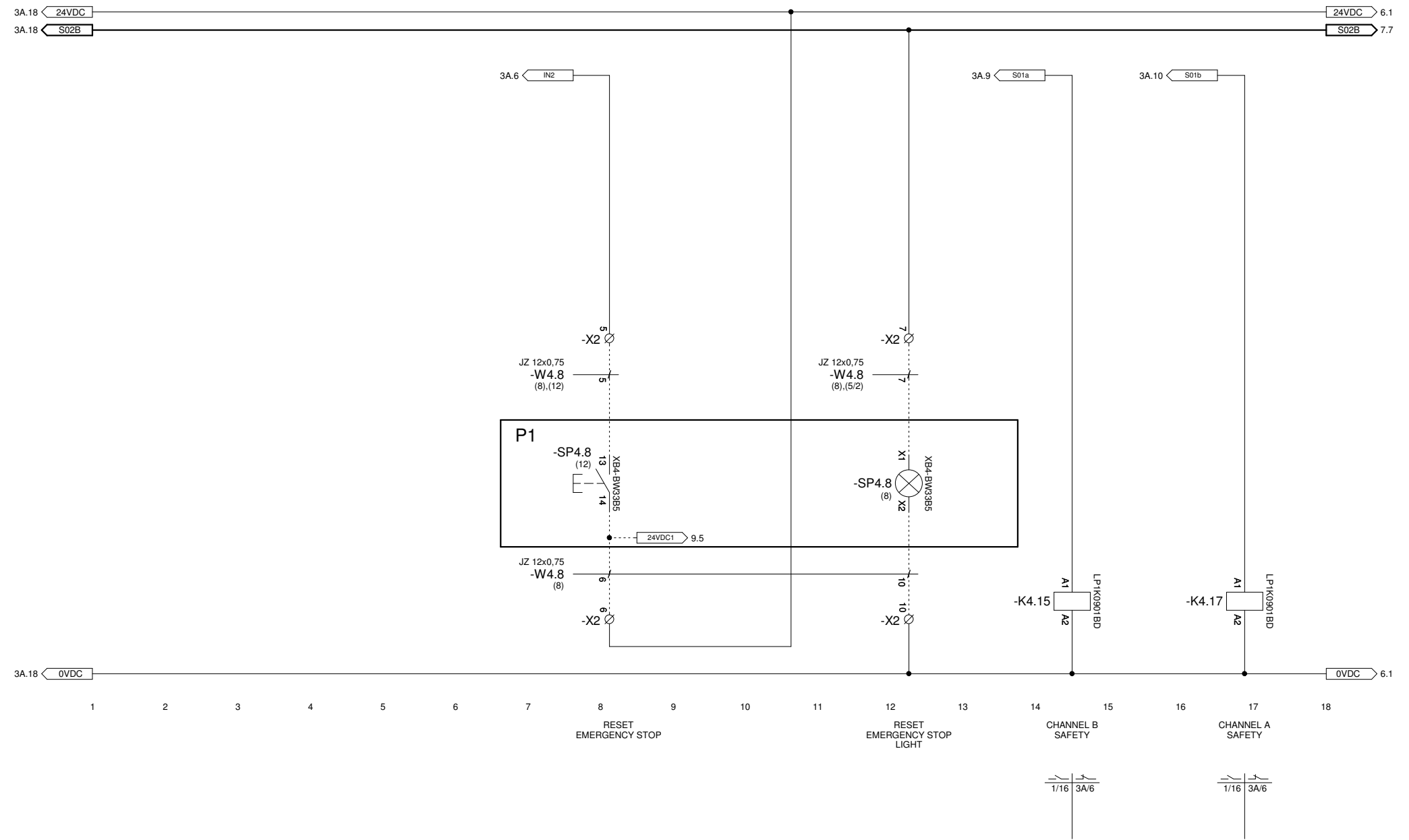
Page ref.:

Page: 2 of 19





SAFE PLC CONTROLLER



Tlf. 75 64 18 99 - vs-automatic.dk

En del af TSB GRUPPEN - Danmarks stærkeste El & Energi-installatører

Customer: Hedensted Gruppen A/S

Project: HG Quick Skin 14

Pagetitle: Emergency stop relay

Designer: TBT

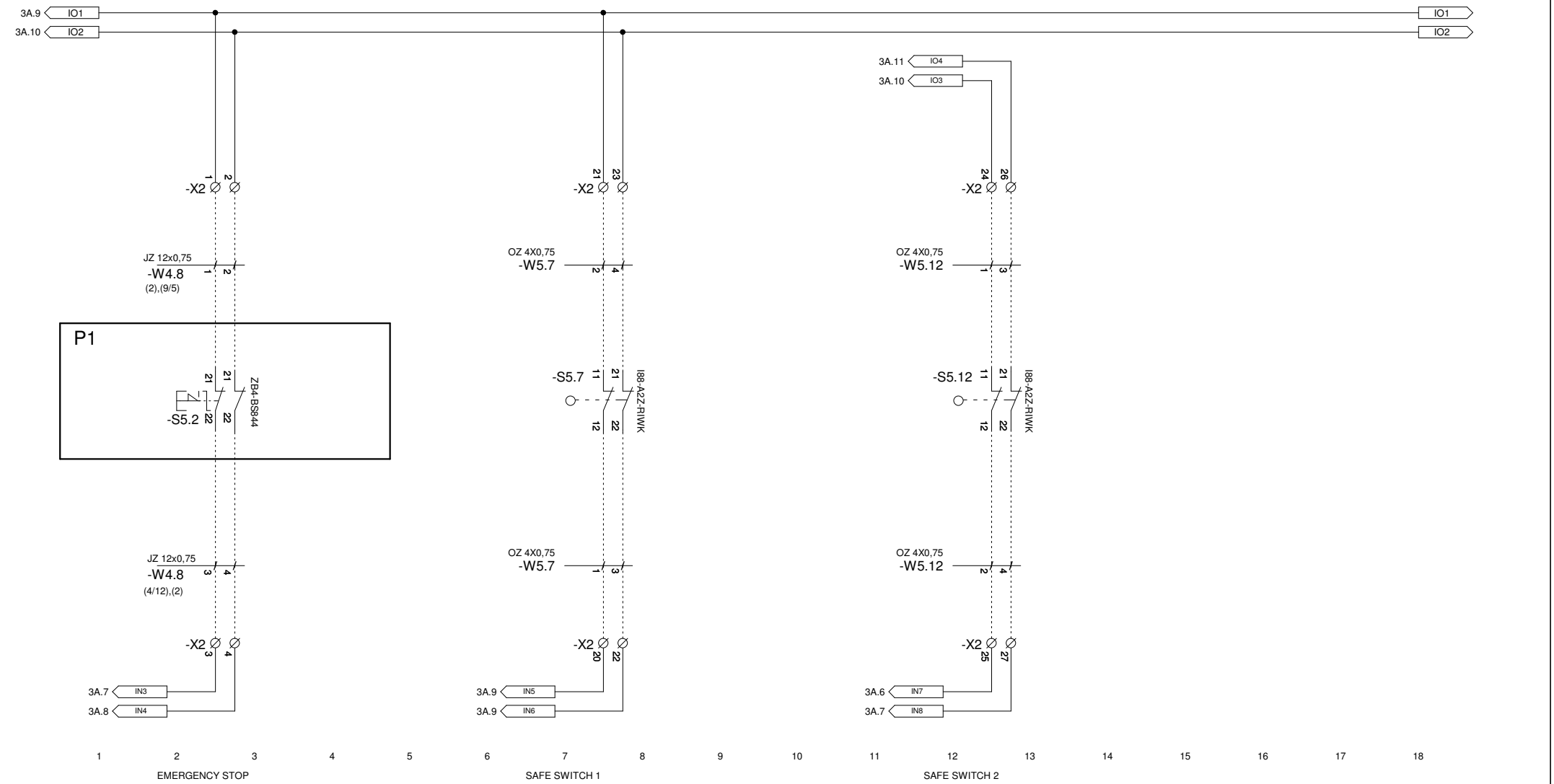
Last prt: 11-12-2017

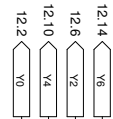
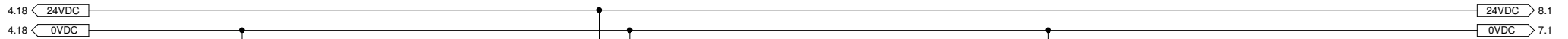
Last changed: 22-01-2015

Case no: QS 2014.04 400v

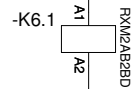
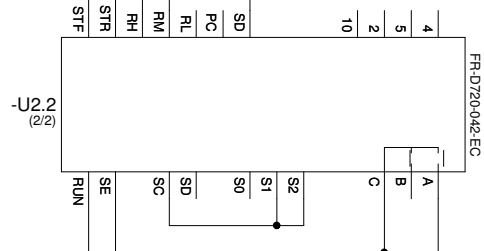
Page ref.:

Page: 4 of 19

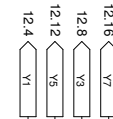




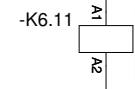
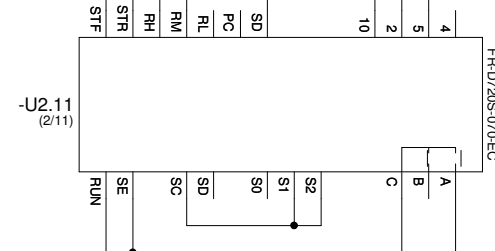
FR-D720-042-EC
 P1 = 85
 P2 = 0
 P3 = 50
 P4 = 20
 P5 = 70
 P7 = 0
 P8 = 0
 P9 = 3.6
 P10 = 5
 P11 = 1
 P12 = 10
 P26 = 50
 P190 = 0
 P192 = 99
 P26 = 70
 P125 = 80
 P190 = 0
 P192 = 99



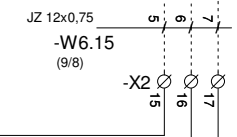
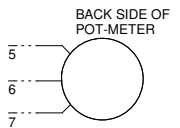
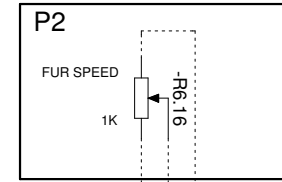
BREAKE
 BODY PULL
 0,75 KW



FR-D720-070-EC
 P1 = 85
 P2 = 0
 P3 = 50
 P4 = 20
 P5 = 30
 P7 = 0
 P8 = 0
 P9 = 6.36
 P10 = 2.5
 P11 = 0.2
 P12 = 2.5
 P26 = 70
 P125 = 80
 P190 = 0
 P192 = 99



BREAKE
 SKIN PULL
 1.5 KW



ERROR 8.5



Tlf. 75 64 18 99 - vs-automatic.dk

En del af TSC GRUPPEN - Danmarks stærkeste El & Energi-installatører

Customer: Hedensted Gruppen A/S

Project: HG Quick Skin 14

Pagetitle: Frequency converter Control circuit

Designer: TBT

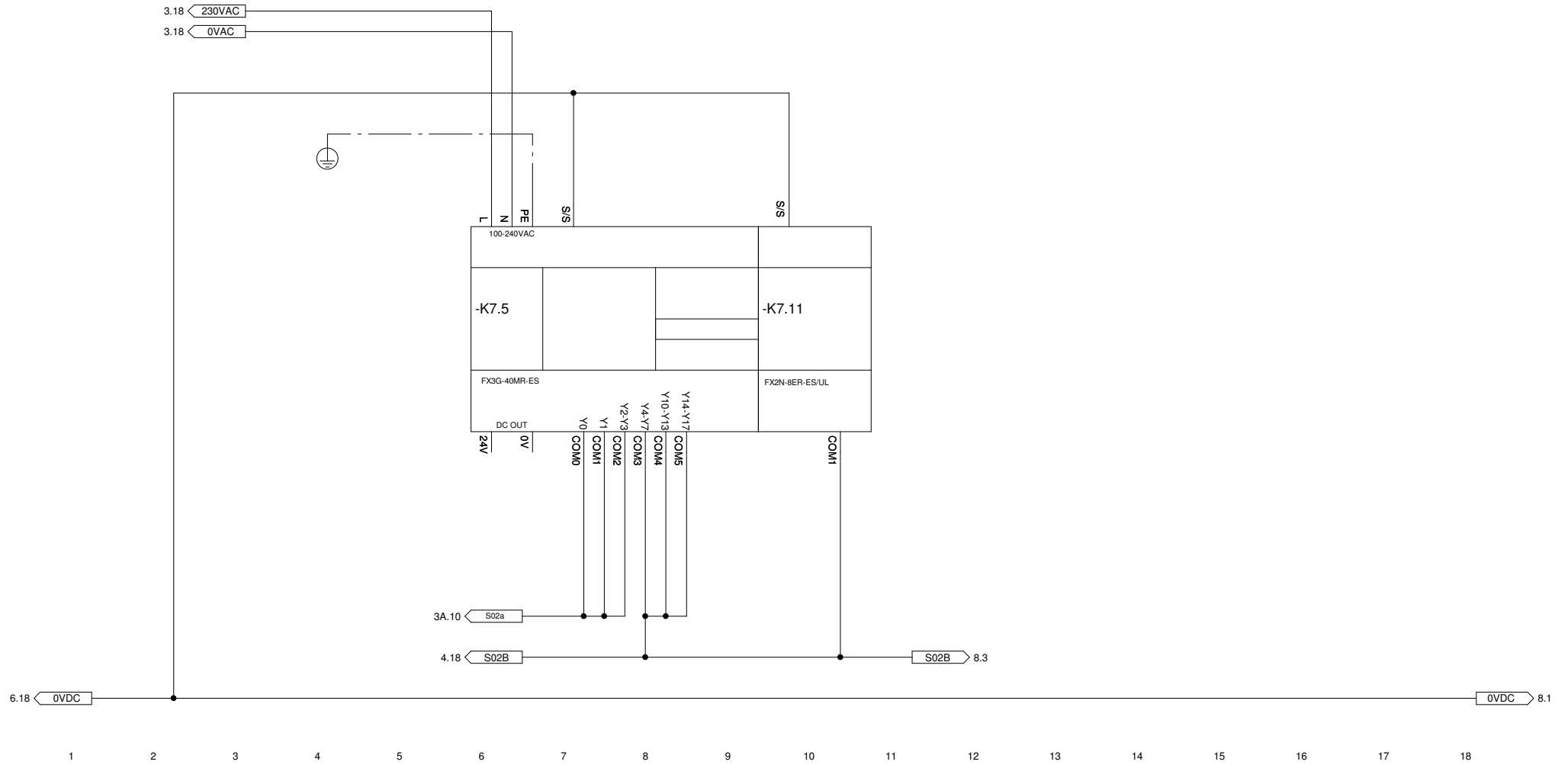
Last prt: 11-12-2017

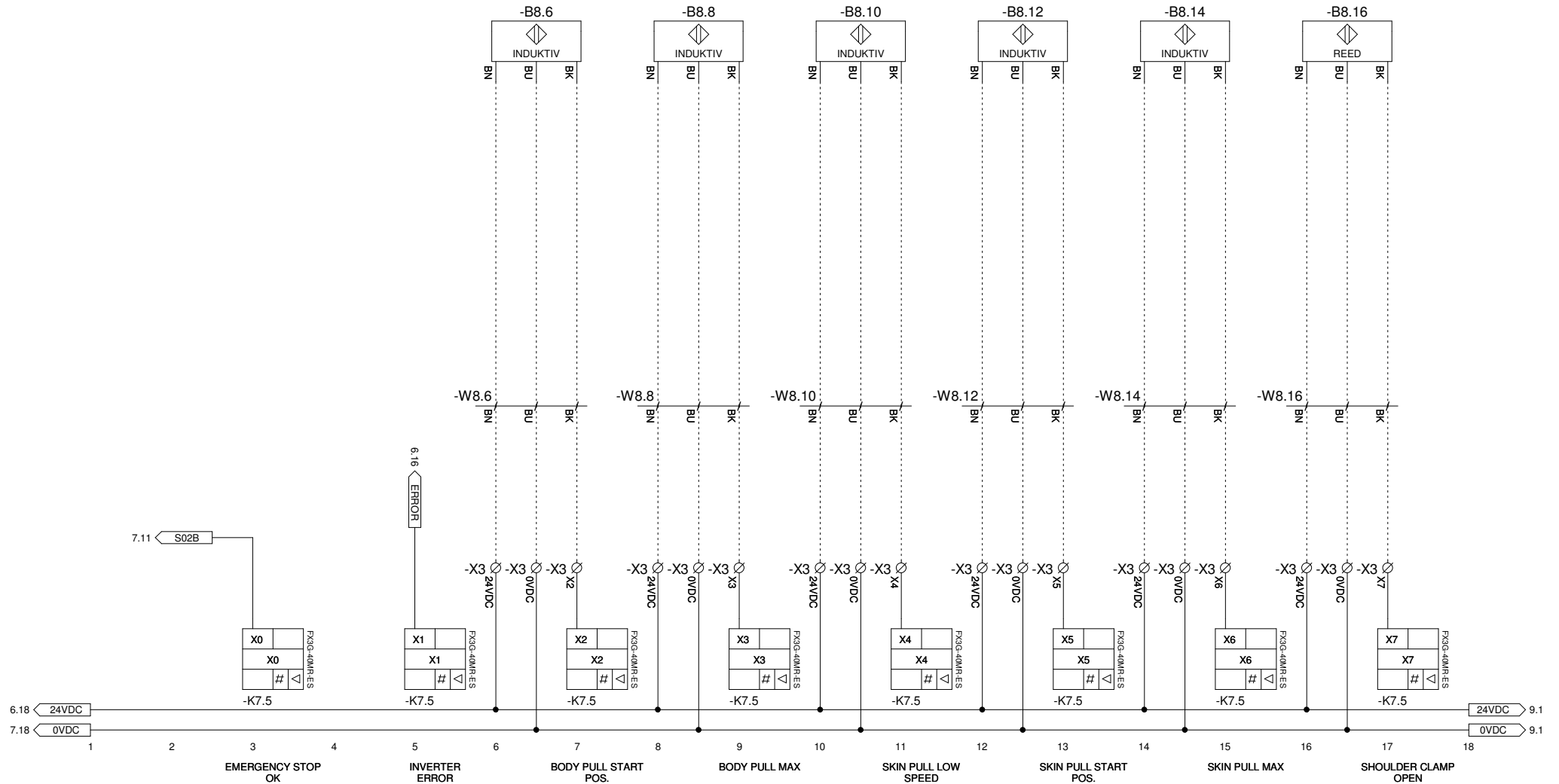
Last changed: 15-04-2015

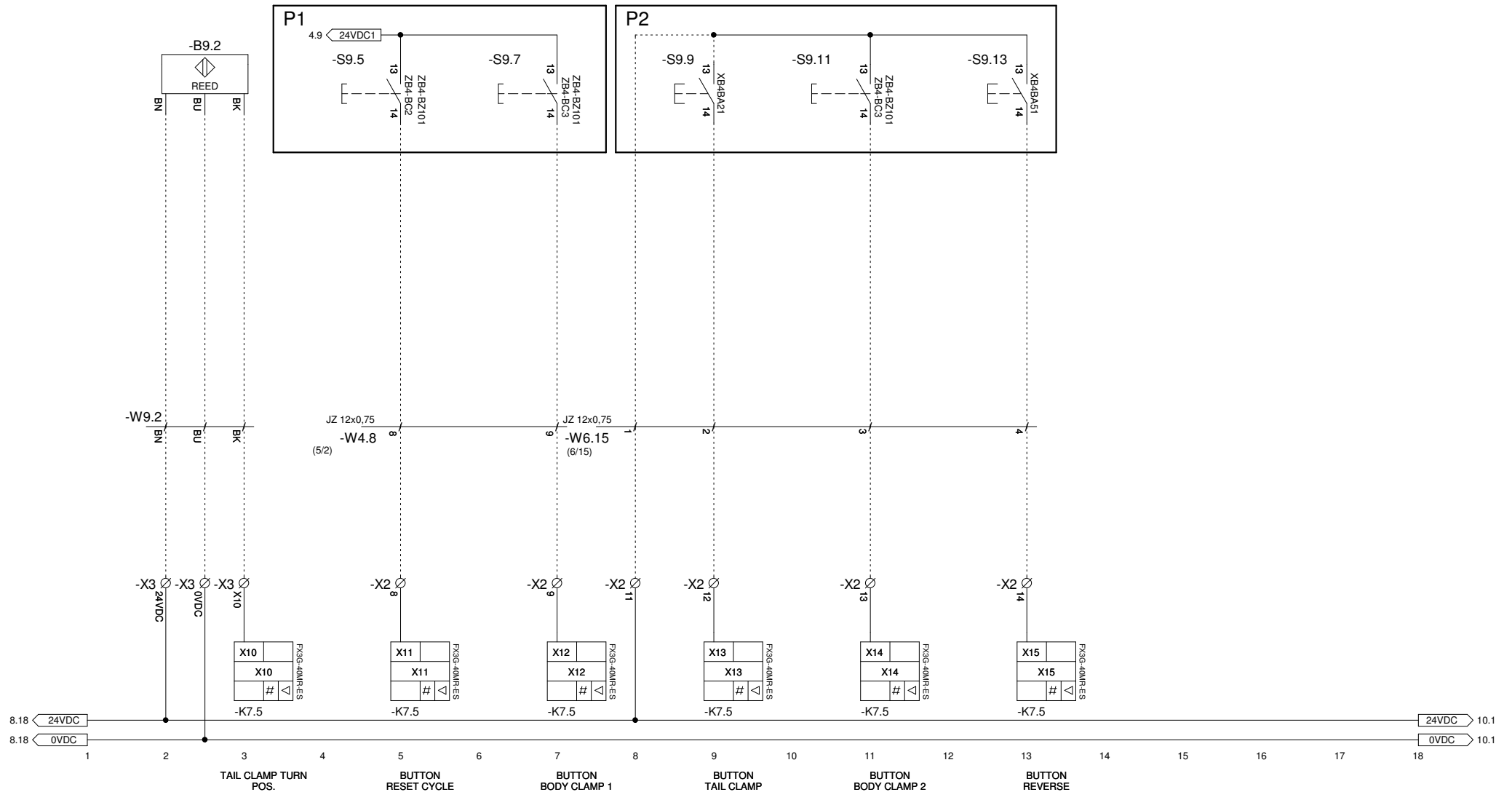
Case no: QS 2014.04 400v

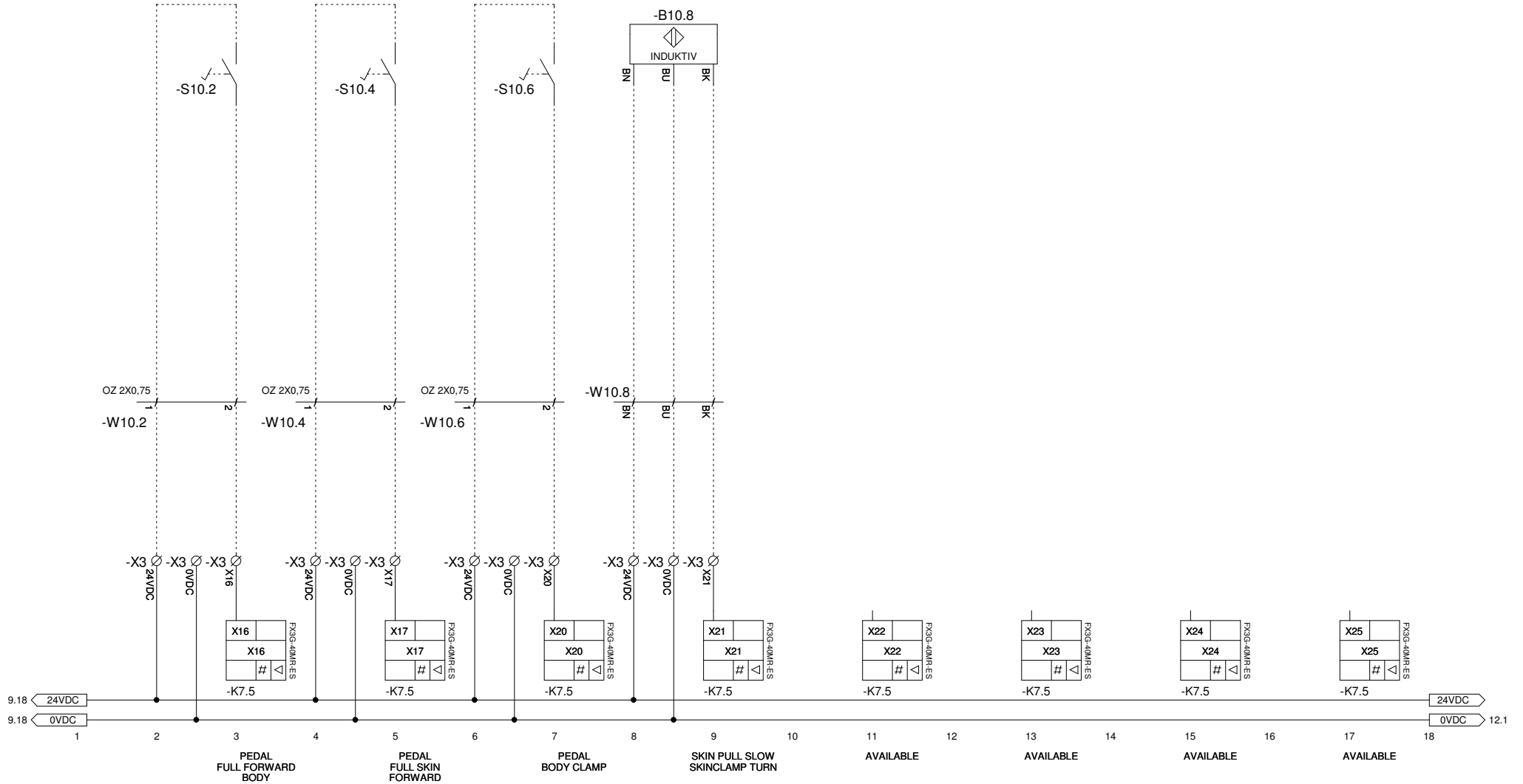
Page ref.:

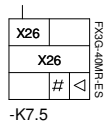
Page: 6 of 19



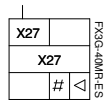




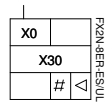




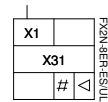
-K7.5



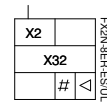
-K7.5



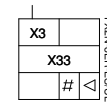
-K7.11



-K7.11



-K7.11



-K7.11

1 2 3 4 5 6 7 8 9 10 11 12 13 14 15 16 17 18

AVAILABLE AVAILABLE AVAILABLE AVAILABLE AVAILABLE AVAILABLE



Tlf. 75 64 18 99 - vs-automatic.dk

En del af TSC GRUPPEN - Danmarks stærkeste El & Energi-installatører

Customer: Hedensted Gruppen A/S

Project: HG Quick Skin 14

Pagetitle: PLC Input X26 - X27 / X30 - X33

Designer: TBT

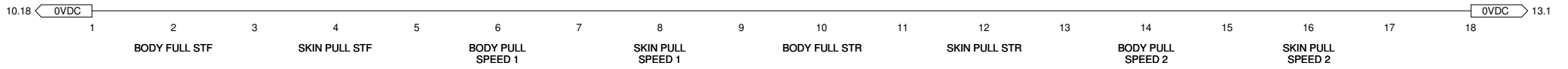
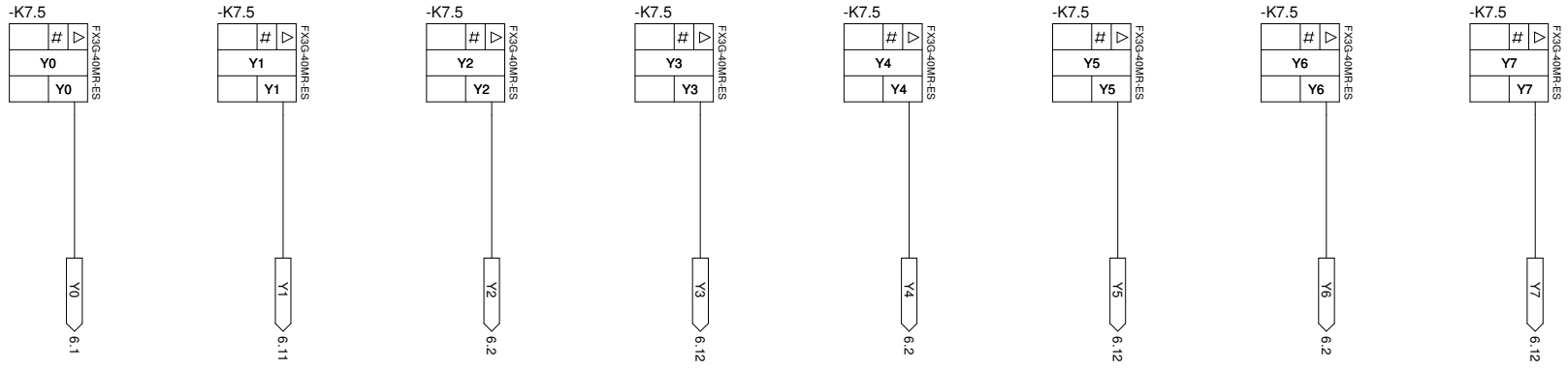
Last prt: 11-12-2017

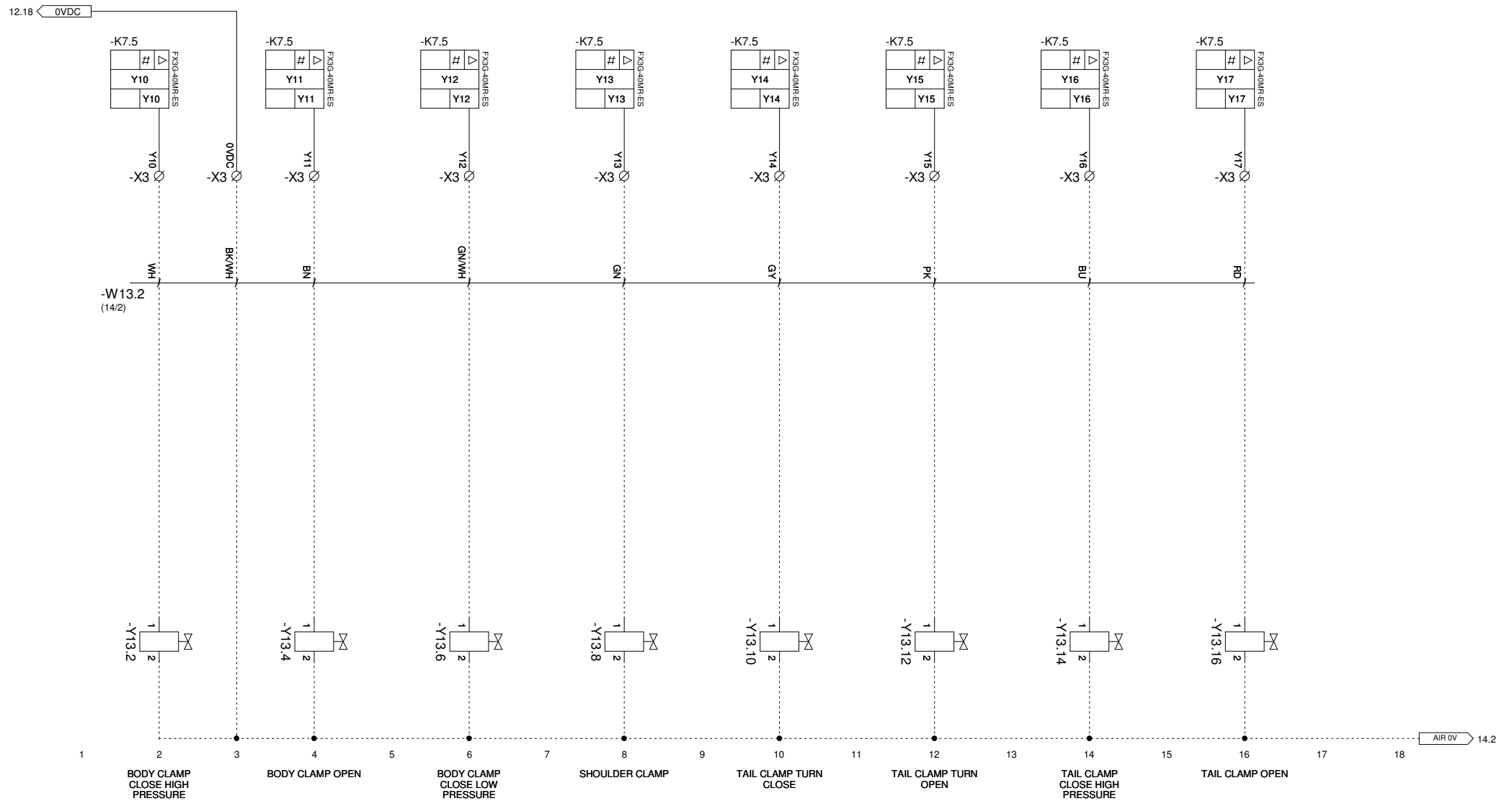
Last changed: 21-01-2015

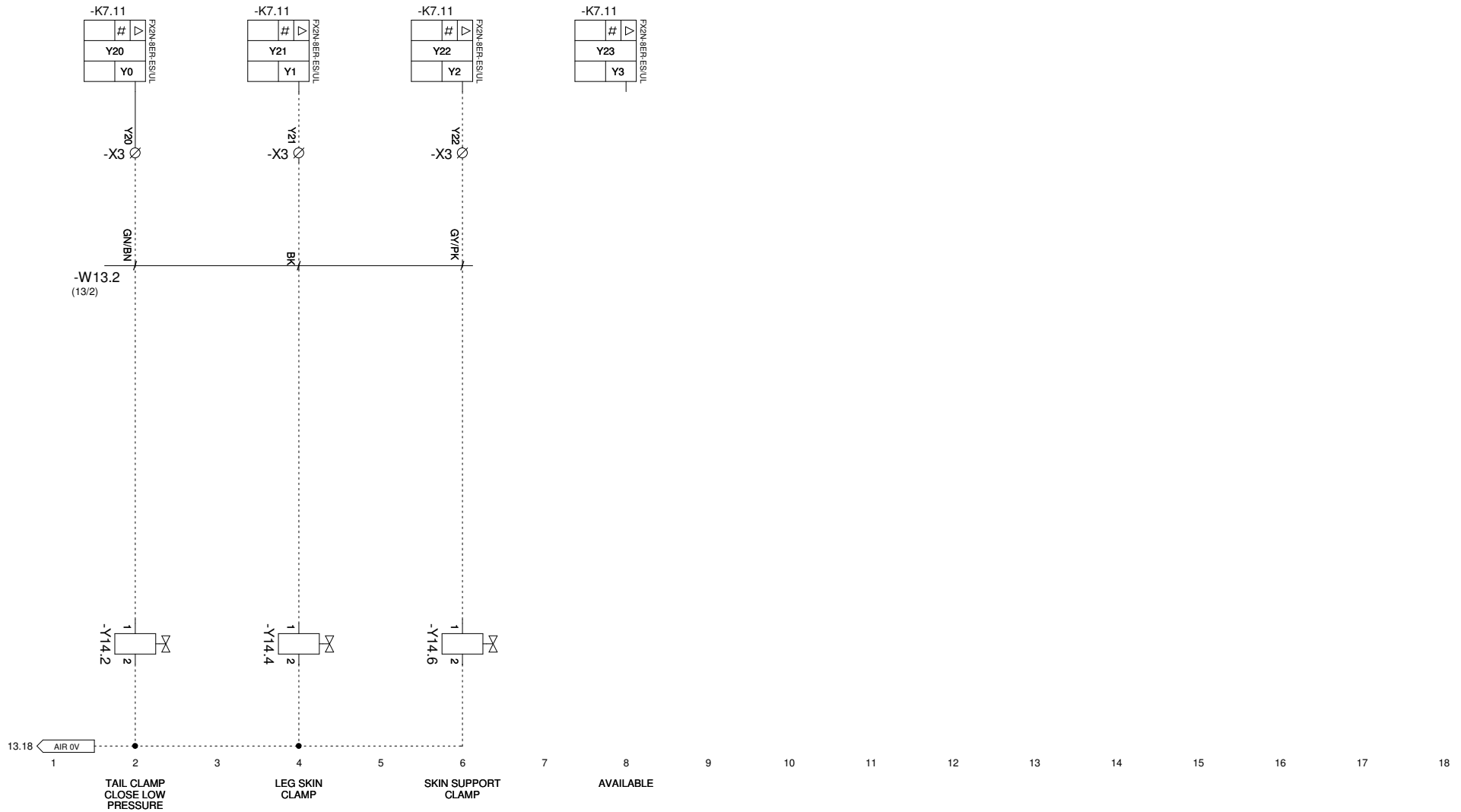
Case no: QS 2014.04 400v

Page ref.:

Page: 11 of 19







Tlf. 75 64 18 99 - vs-automatic.dk

En del af TSC GRUPPEN - Danmarks stærkeste El & Energi installatører

Customer: Hedensted Gruppen A/S

Project: HG Quick Skin 14

Page title: PLC Output Y20 - Y23

Designer: TBT

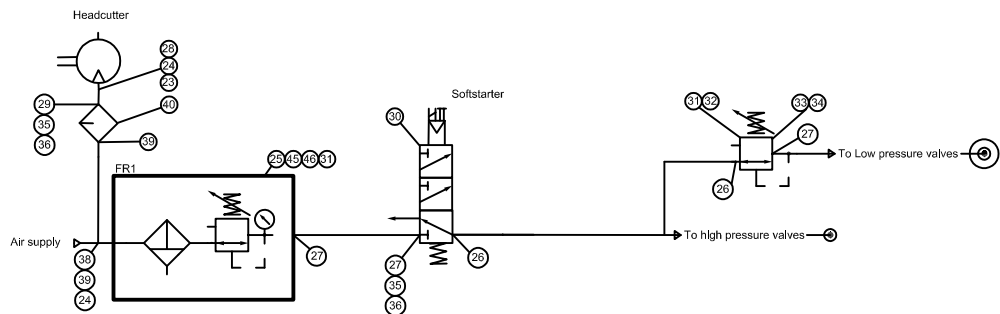
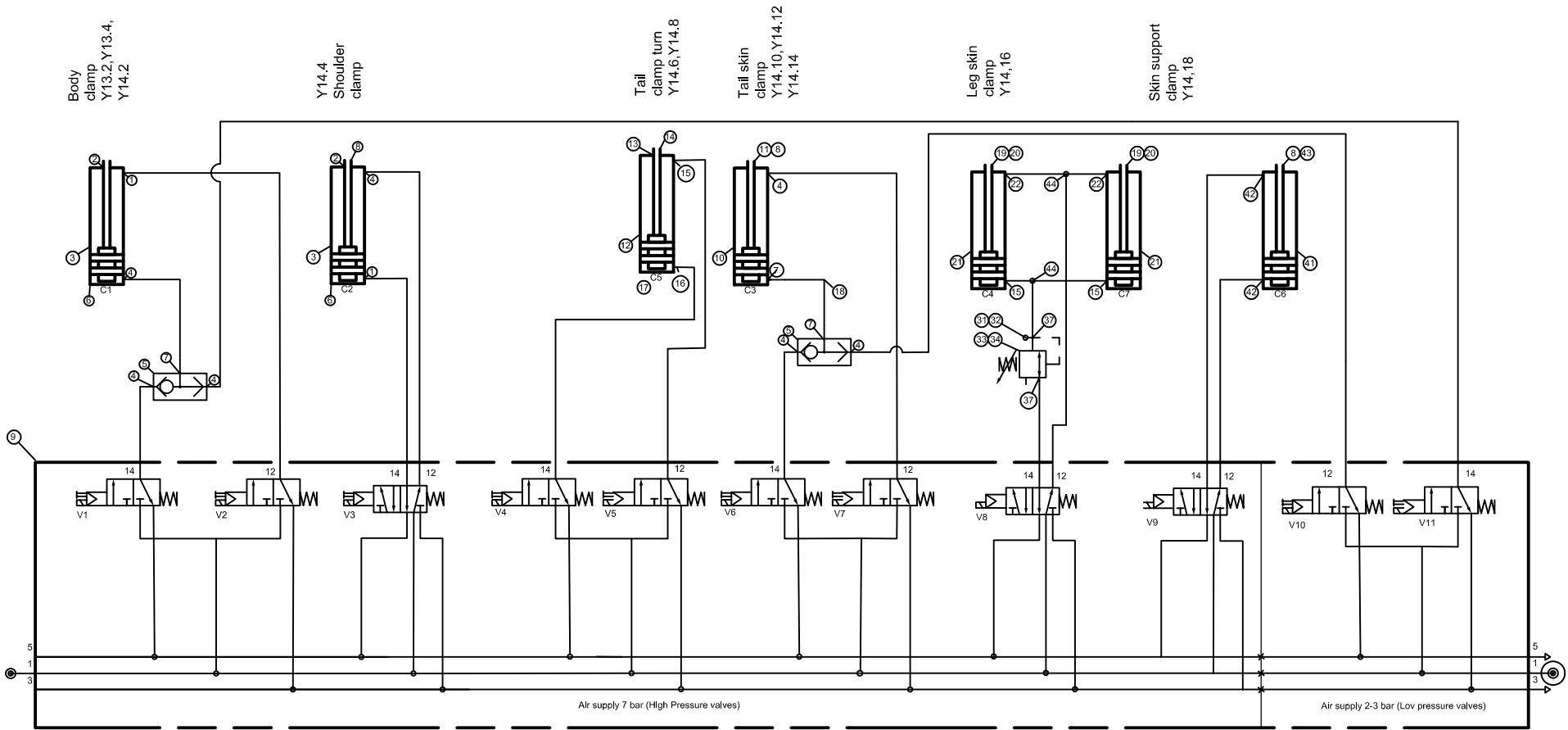
Last prt: 11-12-2017

Last changed: 15-04-2015

Case no: QS 2014.04 400v

Page ref.:

Page: 14 of 19



3	C7 Added + B72G	08-05-2018	KL
2	Flow valve on C2	07-12-2016	KL
1	Made	12-08-2014	MRH
REV	DESCRIPTION	DATE	APPROVED

REVISION HISTORY

	Scale:	Ikke angivet tolerancer iht./ Not specified tolerance according to:	Sheet size:
		Overfl. beskaffenhed/Surface properties:	Sheet: 1/1
Part No.:	206330_03		
Description:	HG quick skin air system 2014_03		
Description:	Sheet 1 of 1		



Hedensted Gruppen A/S

Diagram		2014_03		Rev: 03	
Bom no.		2014_03		Sign. KL	
Title		HG quick skin airparts			
Pos	Qty	Description	HG no.	Supplier no.	Comment
1	2	Banjo flow control $\phi 6 \times 1/8''$	215105	C0K510618	
2	2	F-Joint QM-8040-25	214120	QM-8040-25	
3	2	Cylinder RA/192050/M/50	210345	RA/192050/M/50	C1+C2
4	7	Swirvel elbow $\phi 6 \text{mm } 1/8''$	215760	C02470618	
5	2	Shutter valve G1/8	215405	T65C1800	
6	2	L-Joint QA/8050/42	214163	QA/8050/42	
7	3	Straight connector $\phi 6 \text{ } 1/8''$	215925	C02250618	
8	3	Lock nut MP150190_M12x1,25	210428	MP150190	
9	1	Ramp valve AV03x8-DSUB25	M100741	R480738246	
10	1	Cylinder RA/192063/M/50	210370	M/P13607	C3
11	1	F-Joint QM-57040-25	214108	QM-57040-25	
12	1	Cylinder RT/57220/M/40	211622	RT/57220/M/40	C5
13	1	Lock nut M/P1501/60	210421	M/P1501/60	
14	1	F-Joint QM-57020-25	214105	QM-57020-25	
15	3	Swirvel elbow $\phi 6 \text{mm } 1-8$	215730	C01470618	
16	1	Banjo flowcontrol $\phi 6 \times 1/8'' \text{ } 90\text{gr}$	215114	COT560618	
17	1	L bracket QM/8012/24	211048	QM/8012/24	
19	2	F-joint QM-57025-25	214100	QM-57025-25	
20	2	Lock nut MP150189_M10x1,25	210427	M/P1501/89	
21	2	Cylinder RT-57225-M-80	211018	RT-57225-M-80	C4+C7
22	2	Straight connector $\phi 6 \text{ } 1/8''$	215900	C01250618	
23	1	Elbow male 1/4" female 1/4"	216358	150430028	
24	2	Quick release coupling male 1/4"	217051	234110028	
25	1	Regulator with filter 1/4" 0,3-10 bar	215420	B72G-2GK-QT3-RMN	FR1
26	1	Swirvel T-connector $\phi 8 \text{ } 1-4$	216388	C02680828	
27	2	Swirvel elbow $\phi 8 \text{ } 1/4''$	216537	C02470828	
28	1	Quick coupling female 1_4	217010	40214	
29	1	Straight connector $\phi 10 \text{ } 1-4$	215940	C02250828	
30	1	Soft-starter	197322	P72F-2GC-PFA	
31	3	Gauge 0-10 bar 1/8" $\phi 40$	215550	18-013-989	
32	2	Regulator 1/4" 0-10bar	216204	R07-205-RNMG	
33	2	Mounting brace	214180	M/P71273/3	
34	2	Panel mounting nut 2962-89	206694	2962-89	
35	2	Insert 1/4	210195	4215-08	
36	2	Mounting brace	210176	4214-52	
37	2	Swirvel elbow $\phi 6 \text{mm } 1-4$	215765		
38	1	T-connector 1_4	216598	150690028	
39	2	Swirvel elbow $\phi 10 \text{ } 1-4$	215778		
40	1	Sight feed lubricator	210185		
41	1	Cylinder RT-57250-M-50	M100869	RT-57250-M-50	
42	2	Swirvel elbow $\phi 6 \text{mm } 1/4''$	215732	C01470628	
43	1	Drilled up fork - M12x1,25	100878		
44	2	Y-connector 2x $\phi 6 \times \phi 6$	215860	C00820600	
45	1	Wall bracket with clamps 72 series	210176	4214-52	
46	1	Connection block 1/4" for B72 serie	210195	4215-08	