



SPARE PARTS



HG SKIN CLEANER

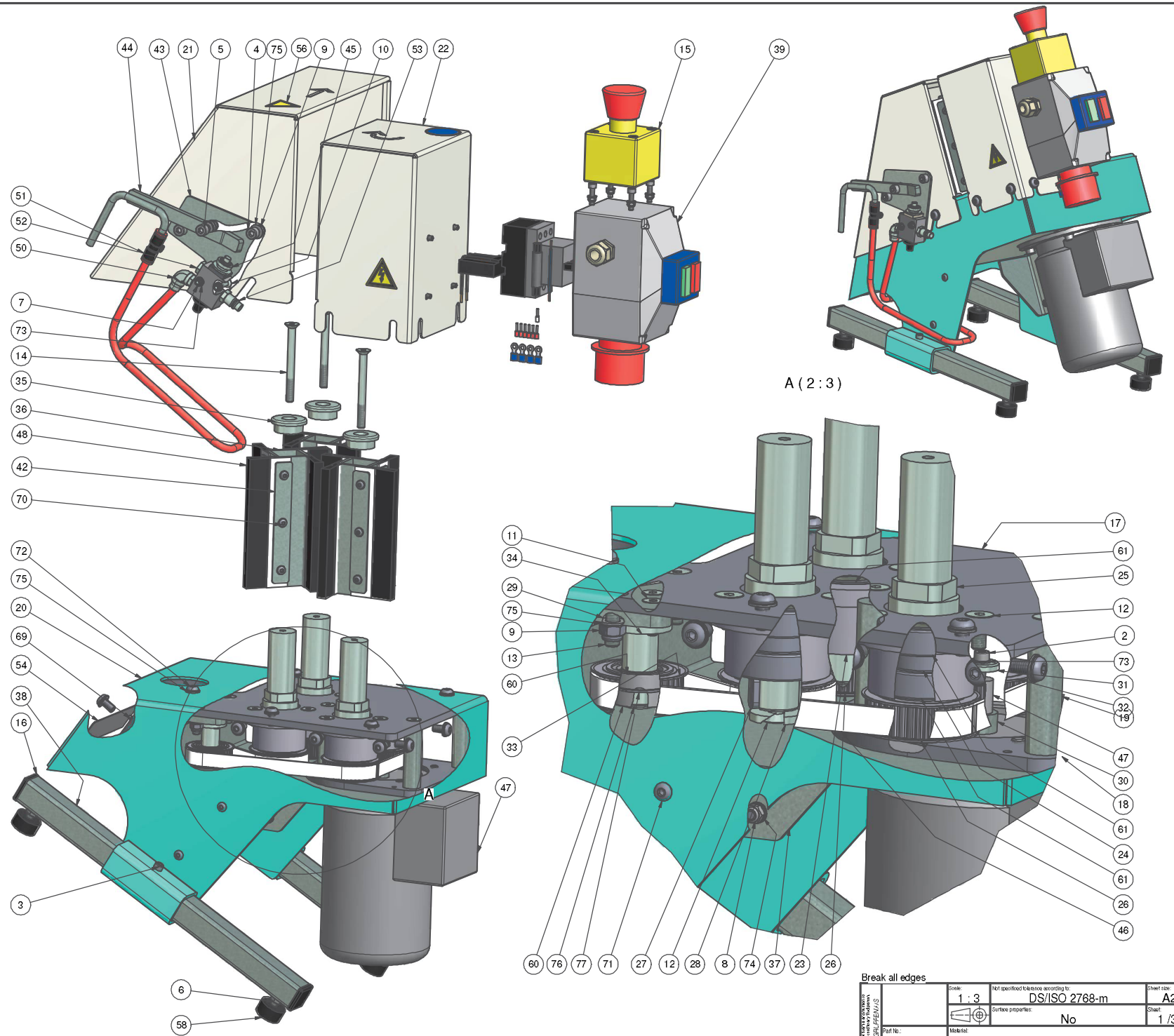


1. Table of contents.

1. Table of contents
2. Spare parts

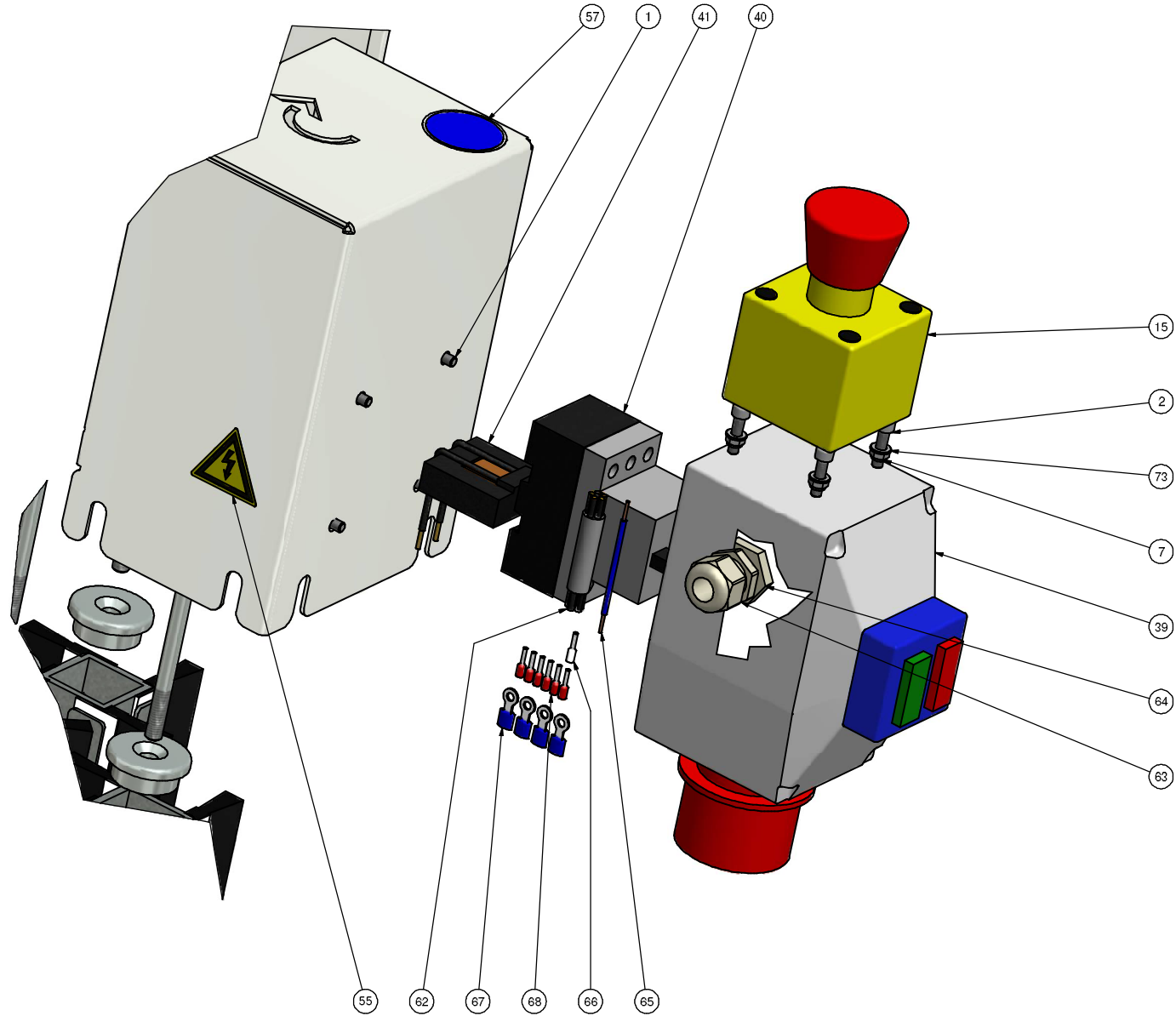
Parts List

ITEM	QTY	PART NUMBER	DESCRIPTION
1	4	10205008	Hexagon cylinder head M5x8 FZB
2	5	10205020	Hexagon cylinder head M5x20 FZB
3	2	10206012	Hexagon cylinder head M6x12 FZB
4	5	10208020	Hexagon cylinder head M8x20 FZB
5	2	10208030	Hexagon cylinder head M8x30 FZB
6	4	1508000	Nut M8 FZB
7	6	17905000	Self-locking nut M5 FZB
8	4	17906000	Self-locking nut M6 FZB
9	5	17908000	Self-locking nut M8 FZB
10	2	20405030	Hexagon countersunk head M5x30 FZB
11	3	20406020	Hexagon countersunk head M6x20 FZB
12	19	20408020	Hexagon countersunk head M8x20 FZB
13	2	20408030	Hexagon countersunk head M8x30 FZB
14	3	20408090	Hexagon countersunk head M8x90 FZB
15	1	204364	Emergency stop box
16	4	204749	End cap 30x30mm
17	1	204835	Brace for bearing housing
18	1	204840	Brace for motor
19	4	204845	Spacer for motor
20	1	204850	Stand
21	1	204855	Screen with suction
22	1	204860	Screen for single brusch
23	3	204865	Bearing housing
24	3	204870	Spacer for bearing
25	3	204875	Shaft
26	3	204882	Tooth belt pulley T5x40-16
27	3	204885	Key 8x7x20mm DIN-6885A
28	3	204890	Washer for axle
29	1	204895	Adjusting plate for
30	1	204900	Spacer for pulley
31	1	204905	Washer for motor
32	1	204912	Tooth belt pulley for motor
33	1	204917	Tooth belt pulley T5x32-16mm
34	1	204920	Axle for tension wheel
35	3	204922	Washer for brush profile
36	3	204925	Brush profile
37	1	204935	Screen for belts
38	2	204940	Profile for legs
39	1	204951	ABL Capsuling w-CEE indt 16A 4
40	1	204952	Motor protection 1,0-1,6amp
41	1	204953	Undervoltage release 400V
42	12	204955	Plate for brusch
43	1	204965	Plate for air valve
44	1	204970	Rocker shaft
45	1	204975	Valve 3-2 1/8"
46	1	207115	Double tooth belt HG skin cleaner
47	1	207120	Motor 0,37kW B5 flange 1500rpm
48	12	207495	Brush for skin cleaner HG & BS
49	3,5 m	216122	Air hose Ø8mm red
50	1	216558	Swirvel elbow Ø8x1/8"
51	1	216616	Straight connector Ø8 x Ø8
52	1	216738	Plug 1/8"
53	1	217050	Quick releasecoupling 1/8" male
54	1	30026	Id plate skin cleaner
55	1	31006	Warning sign High voltage
56	1	31008	Warning Sign rotating parts
57	1	31010	Warning sign, Ear protec.
58	4	423422	Vibration absorber 30x15xM8x20
59	1	423439	HG Logo 75x110
60	2	473014	Bearing 6002 2 RS1
61	6	473040	Bearing 6205 2 Rs1
62	0,5 m	600147	Cable JZ 5x1,5mm ²
63	1	600455	Cabel gland M20 Ø5-12
64	1	600475	Nut M20 polyamid
65	0,6 m	600490	Cord H05V2K 1x0,75 d. blue PVT
66	1	600530	Pin/iso H0,75/14 902123 P500
67	4	600625	Cable shoe IS.0,75-1,5 Ø4
68	6	601065	Piniso H1,0 on strip, Red
69	2	7003208	Pop rivet ø3,2x8mm
70	36	76005012	Buttonhead bolt M5x12 FZB
71	4	76006016	Buttonhead bolt M6x16 FZB
72	14	76008016	Buttonhead bolt M8x16 FZB
73	47	82105900	Chamfered Washer M5 FZB
74	4	82106000	Chamfered Washer M6 FZB
75	24	82108000	Chamfered Washer M8 FZB
76	1	89715000	Lock ring Out ø15 din 471
77	1	89832000	Lock ring, In ø32 din 472



Break all edges		Scale: 1:3	Not specified tolerance according to: DS/ISO 2768-m	Sheet size: A2
Part No: 207110		Surface properties: No		Sheet: 1/3
Description 1: HG Skin cleaner		Description 2: 3x400V+PE		

Revision	Approved	Date	Revision Description
1	HG	28-09-2015	Revision changed to numeric



Break all edges			
Scale:	1 : 3	Not specified tolerance according to:	DS/ISO 2768-m
Surface properties:	No	Sheet:	2 / 3
Part No:	207110		
Description 1:	HG Skin cleaner		
Description 2:	3x400V+PE		

Revision	Approved	Date	Revision Description
1	HG	28-09-2015	Revision changed to numeric