



IMPROVING YOUR FUR BUSINESS

# Spareparts



## HG QUICK CUT

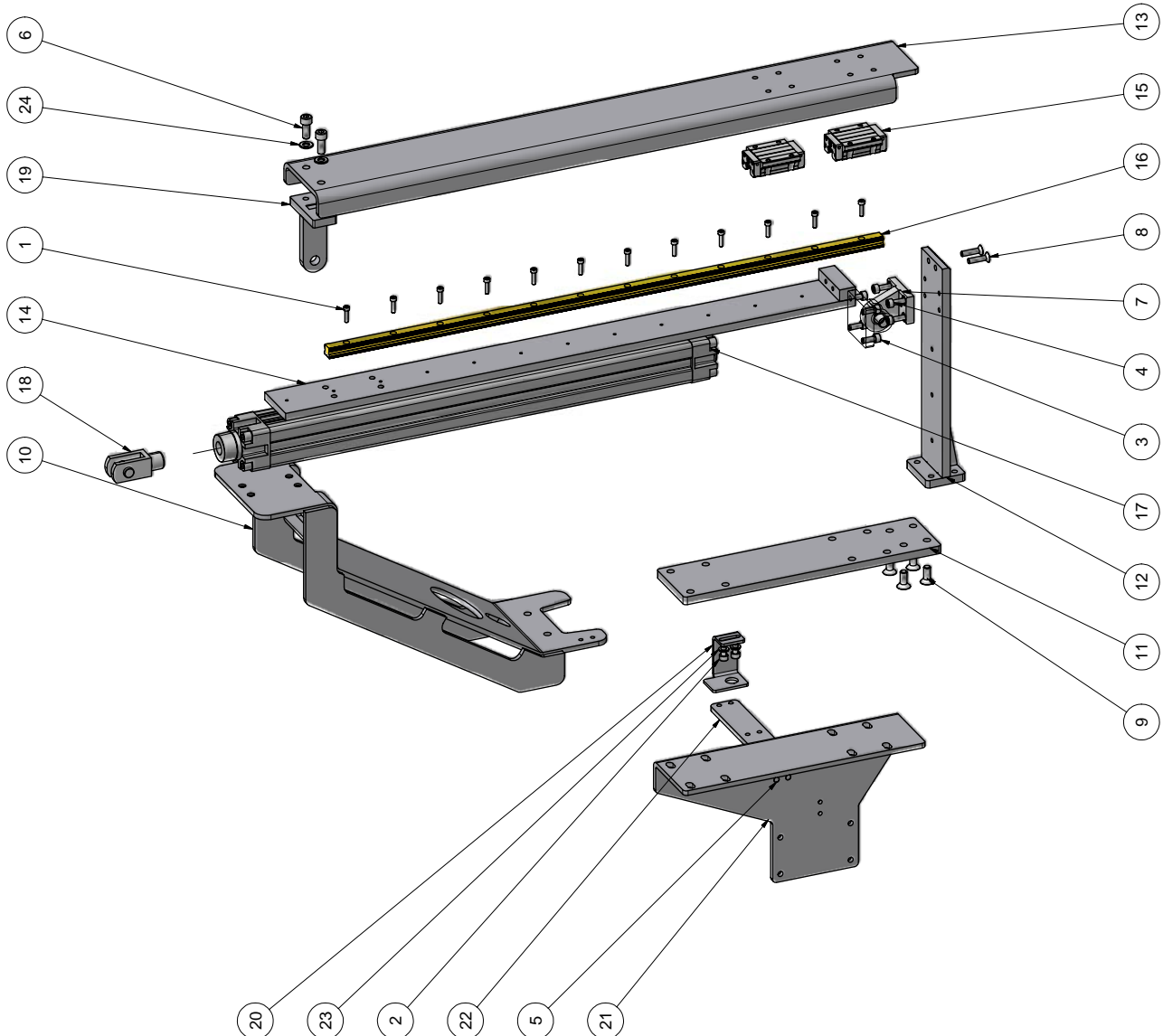
## **1. Tabel of content.**

1. Table for content
2. Spareparts.
3. Air diagrams
4. Electric diagrams

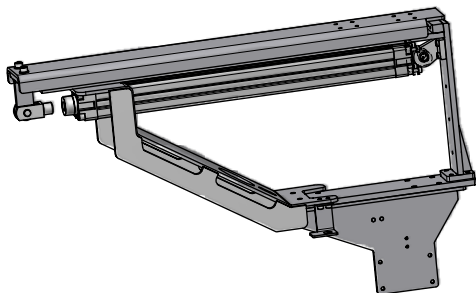
Parts List

ITEM	QTY	PART NUMBER	DESCRIPTION
1	12	10204016	Bolt.unbraco cyl 4x16 FZB
2	2	10206012	Bolt.unbraco cyl 6x12 FZB
3	4	10206016	Bolt.unbraco cyl 6x16 FZB
4	4	10206020	Bolt.unbraco cyl 6x20 FZB
5	2	10208012	Bolt.unbraco cyl 8x12 FZB
6	2	10208020	Bolt.unbraco cyl 8x20 FZB
7	1	195394	L-Beslag QA/8040/24
8	2	20406025	Bolt.unbraco u.sænk 6x25 FZB
9	4	20408020	Bolt.unbraco U.Sænk 8x20 FZB
10	1	207880	Forstærkning tårn.model ES
11	1	207885	Konsol f tårn M2008
12	1	207887	Vandret konsol M2008
13	1	207890	Forbindelseplade.model ES
14	1	207895	Vertikal plade.model ES
15	2	207906	THK Vogn / SHS15CSS
16	1	207917	THK Skinne / SHS15 + 710mm
17	1	212129	Cylinder PRA/182040/M/500
18	1	214120	F Beslag QM/8040/25
19	1	30291	Samling beslag f spadeløft
20	1	30560	Følerbeslag f tårn
21	1	30700	Samleestykke tandrem tårn
22	1	30820	Beslag for energikæde
23	2	82106000	Facetskive M 6 FZB
24	2	82108000	Facetskive M 8 FZB

( 1 : 4 )



( 0,15 : 1 )




Alle kanter reiles

HEDENSTED GRUPPEN
   
 Part No. 30317
   
 Beskrivelse: Stålvir for spadeløft
   
 Dimension:
   
 Dato: 12-2006
   
 Scale: 1:4
   
 This project follows the ISO specification according to:
   
 DS/ISO 2768-m
   
 Dato: 12-2006
   
 Dato: 12-2006

REV	DESCRIPTION	DATE	APPROVED
A	Tegnet	05-05-2006	KL
B	Vandret konsol model ES	13-12-2007	KL

REVISION HISTORY
   
 Description:
   
 Part No. 30317
   
 Dimension:
   
 Dato: 12-2006
   
 Scale: 1:4
   
 This project follows the ISO specification according to:
   
 DS/ISO 2768-m
   
 Dato: 12-2006
   
 Dato: 12-2006

ITEM	QTY	PART NUMBER	DESCRIPTION
1	4	10205008	Bolt, unbrako cyl.5x8 FZB
2	4	10205012	Bolt unbrako cyl 5x12 FZB
3	2	10206010	Bolt unbrako cyl 6x10 FZB
4	2	10206020	Bolt unbrako cyl 6x20 FZB
5	4	10504005	Stop screw 4x5 black
6	1	11408035	Hexagon bolt m8x35 FZB
7	1	1506000	Nut M6 FZB
8	1	17908000	Self-locking nut M8 FZB
9	1	20205025	Fitting bolt M5-6x25mm
10	8	20404010	Hexagon countersunk head 4x10 FZB
11	2	20404016	Hexagon countersunk head 4x16 FZB
12	4	20405012	Hexagon countersunk head 5x12 FZB
13	2	20405016	Hexagon countersunk head 5x16 FZB
14	2	20406020	Hexagon countersunk head 6x20 FZB
15	1	20406025	Hexagon countersunk head 6x25 FZB
16	2	206070	Lock for knives Ø70-Ø80
17	2	206071	Hub for knives Ø70-80
18	1	206084	Air motor LZB 22A049-55
19	1	206091	Air motor LZB 22A049 Links
20	1	207820	Bushing for tailroll
21	2	207828	Knife f. slicing machine 80 mm
22	1	207832	Wedge for belly loosener 2007
23	1	207834	Belly loosener - long
24	1	207838	Plate for belly loosener 2007
25	1	207855	Bush for tailroll - endpiece
26	1	207860	Tail roll combi cut
27	1	207931	Compression spring 1.8-16-20
28	1	210310	Cylinder RA/192025/M/25
29	1	210421	Lock nut M/P1501/60
30	1	211100	F-Joint QM-8020-25
31	2	215750	Swirvel elbow Ø4 M5
32	4	216536	Swirvel elbow Ø8 1/8"
33	2	216537	Swirvel elbow Ø8 1/4"
34	2	216796	Silencer 1/8" T40C-1800 shaft for tail roll
35	1	30330	shaft for tail roll
36	1	30340	Arm for swing - tailroll
37	1	30345	Shaft for tailrolli adjustment
38	1	30425	Consol for tailroll
39	1	30436	Plate ammenbly - tailroll system
40	1	30437	Distance bush f.cyl R/M192000
41	2	30511	Screen for 80mm knife
42	1	30515	Coverplate for knives
43	2	30516	Bracket for air motor
44	1	30518	Baseplate for air motor
45	1	30520	Wedge for female
46	1	30647	Mounting bracket for ø25 cyl.
47	8	82105900	Washer M5 FZB
48	4	82106000	Washer M6 FZB
49	1	88712100	Shim washer ø12x18x1.0
50	2	89708000	Seeger ring for shaft Ø8 din 471



TD-Nr./Part No.: 30426

Filename: 30426 Assembly tailroll system.iam

Release date: 15-04-2005

Drawn by: Combi / Quick cut

Status: gemt/last saved by: TV

Skala/Scale: 1:2

Material: Material

Overfl. beskaffenhed/ Surface properties:

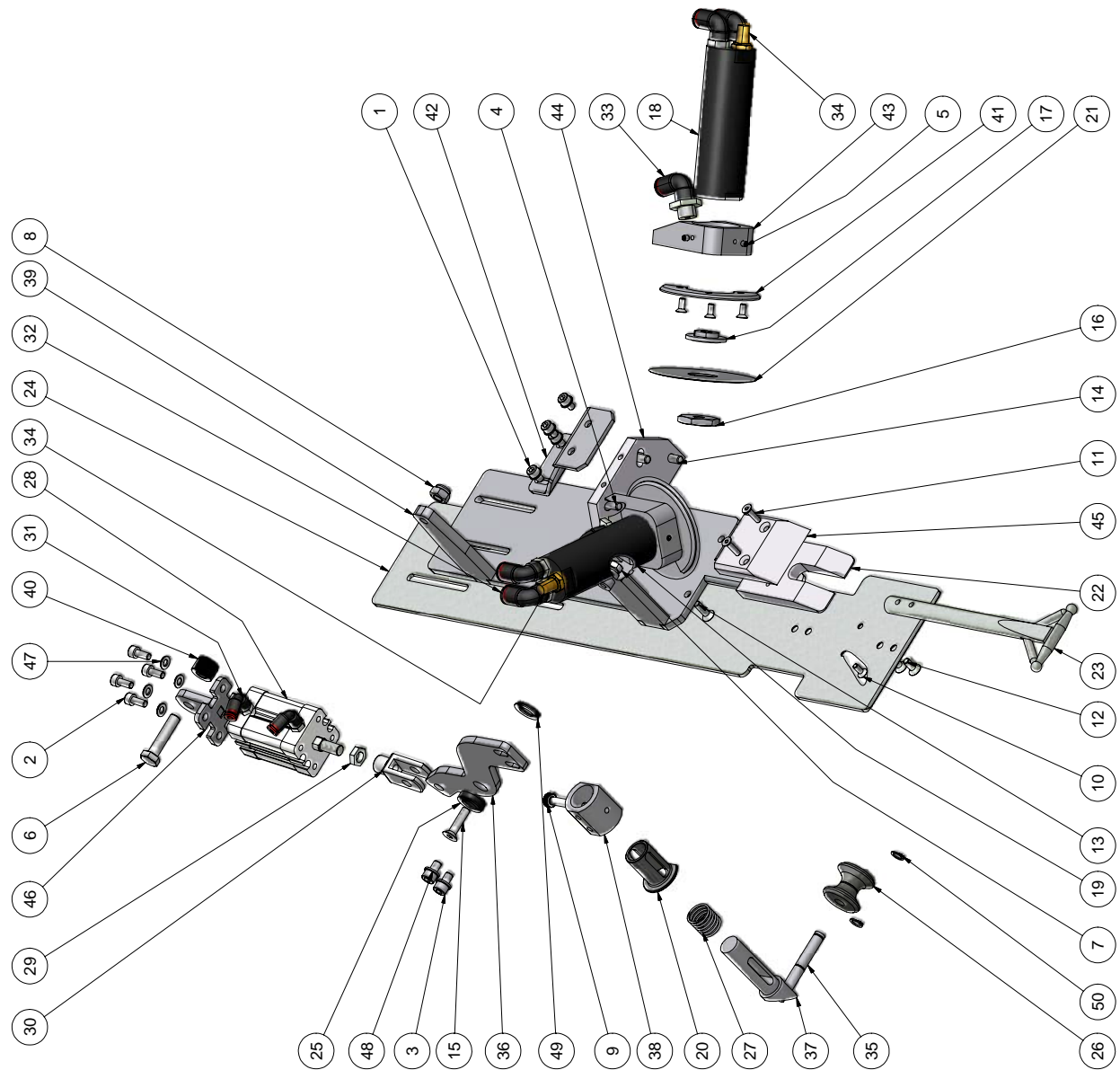
Ikke angivet tolerance iht./ Not specified tolerance according to: DS/ISO 2768-m

Veji/Weight: kg

Konst./Designed: Thomas Vittrup

Dato/Date: 13-06-2004

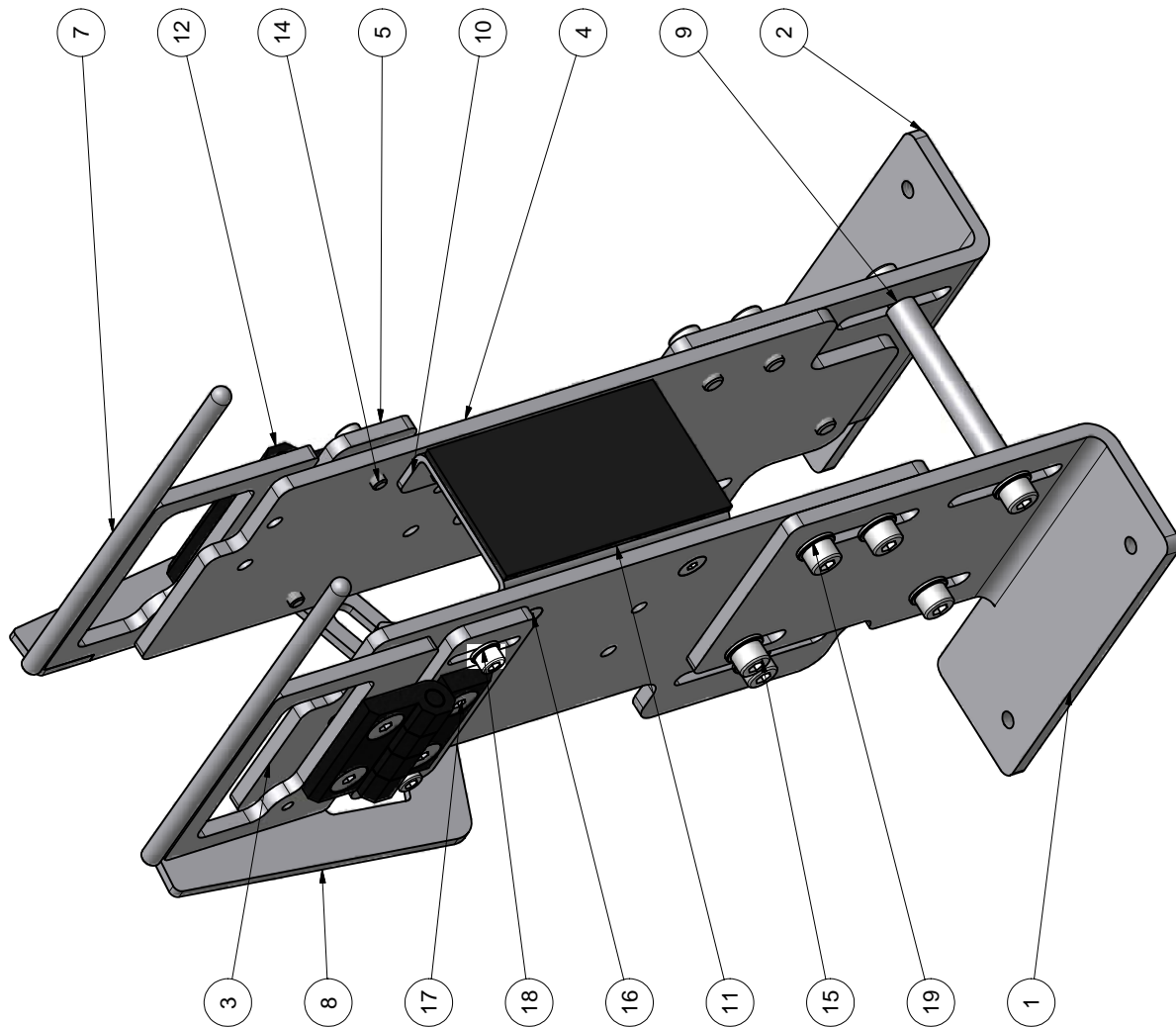
This document is strictly confidential and must not be copied or disclosed to any third person.




REV	DESCRIPTION	DATE	APPROVED
A	Belly loosener changed	15-04-2005	KL
B	Name changed	21-05-2010	KL

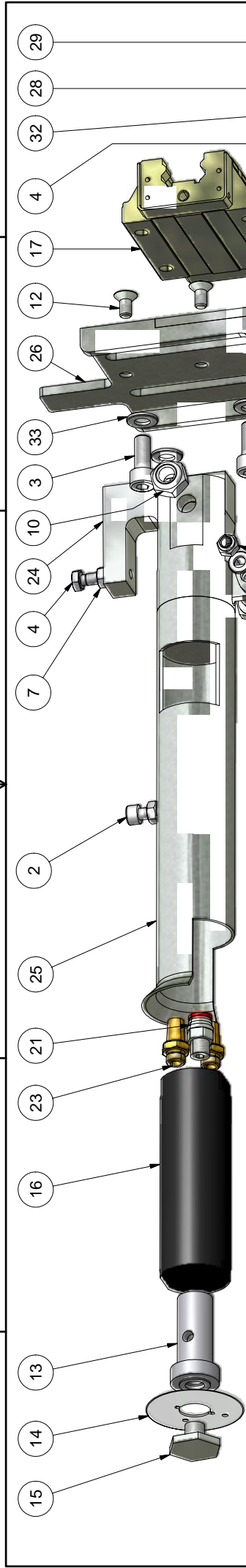
Parts List

ITEM	QTY	PART NUMBER	DESCRIPTION
1	1	30705 Kropholder ydre plade f konsol	Plade 6 mm.
2	1	30706 Kropholder ydre plade f konsol	Plade 6mm.
3	1	30710 Kropholder indre plade f konsol	Plade 6mm.
4	1	30711 Kropholder indre plade f konsol	Plade 6mm.
5	2	30740 Nedre palde f lårstøtter	Plade 6mm.
6	1	30760 Aksel f ø32cyl ved kropholder	Aksel ø12
7	1	30756	Samling lårstøtter højre
8	1	30757	Samling lårstøtte venstre
9	1	30761	Aksel f ø40cyl ved kropholder
10	1	30765	Plade f kropholder med gummi
11	1	30770	Gummi for kropholder plade
12	2	207940	Hængsel GN237-60-60
13	1	01508000	Møtrik M 8 FZB
14	4	10206020	Bolt unbraco cyl 6x20 FZB
15	13	10208016	Bolt.unbraco cyl 8x16 FZB
16	4	20406012	Bolt unbrako U.sænk 6x12 FZB
17	8	20408016	Bolt Unbrako U.Sænk 8x16 FZB
18	12	82106000	Facetskive M 6 FZB
19	14	82108000	Facetskive M 8 FZB

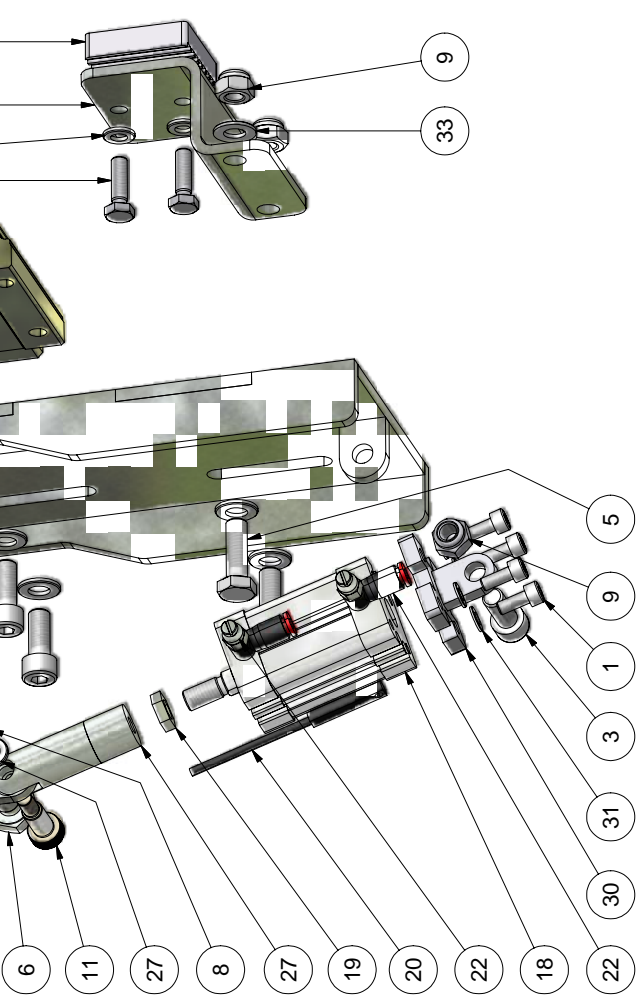


Alle kanter reifies


  
 HEDENSTED GRUPPEN AS  
 Part No.: 207885  
 Beskrivelse: Samling komplet krophold  
 Description:  
 Please print at full size only!  
 KL  
 Scale: 1:2  
 Ikke angivet tolerancer iht./ Not specified tolerance according to: DS/ISO 2768-m  
 Overfl. beskaffenhed/Surface properties:  
 Tegnet/Drafted: KL  
 Materiale:  
 Date: 14-05-2004  
 Udkastet i/ Drawn according to:  
 Size/print at full size only: 30-03-2006  
 Sheet size: A3  
 Sheet: 1 / 1



Parts List		
ITEM	QTY	PART NUMBER DESCRIPTION
1	4	10205012 Bolt unbrako cyl 5x12 FZB
2	1	10206012 Bolt unbrako cyl 6x12 FZB
3	5	10208020 Bolt.unbrako cyl 8x20 FZB
4	3	11406020 Hexagon bolt m6x20 FZB
5	2	11408025 Hexagon bolt m8x25 FZB
6	1	11410045 Hexagon bolt 10x45 FZB
7	1	1506000 Nut M6 FZB
8	1	17906000 Self-locking nut M6 FZB
9	3	17908000 Self-locking nut M8 FZB
10	1	17910000 Self-locking nut M10 FZB
11	1	20206016 Fitting bolt M6-8x16mm
12	2	20406012 Hexagon countersunk head 6x12 FZB
13	1	205918 Hub for crosscut knife
14	1	206060 Knife for slicing machine 50mm
15	1	206061 Lock for knife
16	1	206084 Air motor LZB 22A049-55
17	1	207912 Ball runner block / SHS25CSS
18	1	210300 Cylinder RA/192020/M/25
19	1	210421 Lock nut M/P1501/60
20	1	214310 Reed contact M/50/EAP/5V
21	1	215900 Straight connector Ø6 1/8"
22	2	215980 Banjo flow control Ø4 M5
23	2	216796 Silencer 1/8" T40C-1800
24	1	30390 Bracket for crosscut knife
25	1	30431 Assembly console-bracket
26	1	30442 Assembly mountingplate for
27	1	30467 Assembly spring system
28	1	30470 Bracket for pulling of
29	1	30598 Clamping plate for AT5
30	1	30644 Assembly mountingbracket
31	4	82105900 Washer M5 FZB
32	3	82106000 Washer M6 FZB
33	8	82108000 Washer M8 FZB

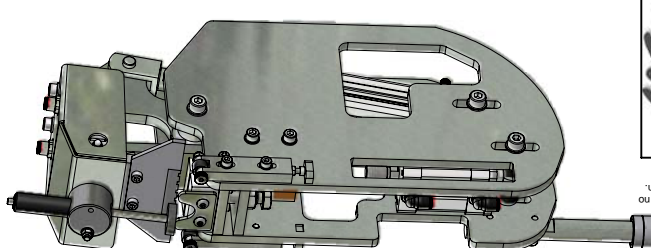
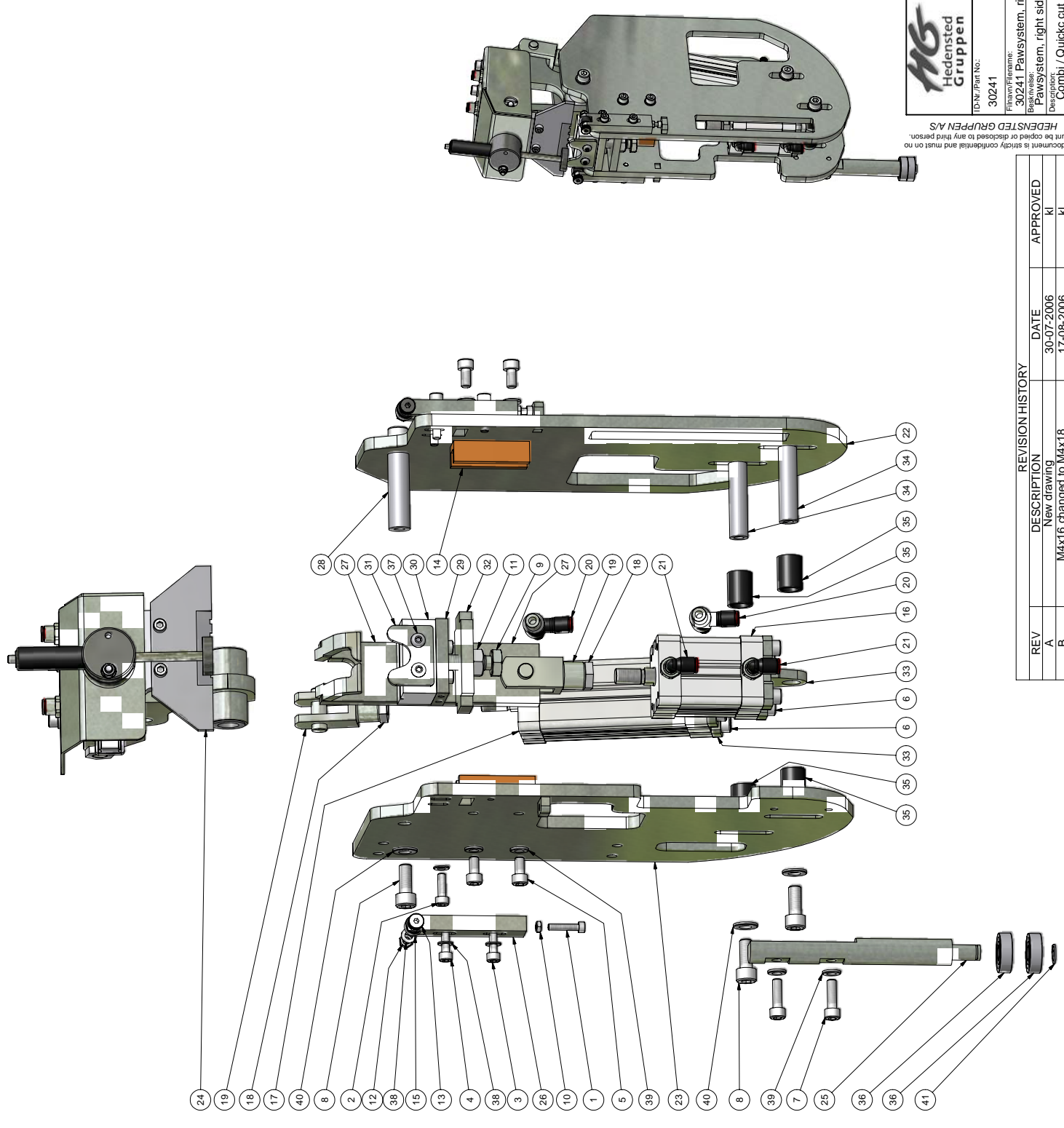


REVISION HISTORY			
REV	DESCRIPTIO	DATE	APPROVED
A	Made	17-05-2004	KL
B	Renamed	06-05-2010	KC

	Skala/Scale:	1:2		Vægt/Weight:	kg
	Materiale/ Material:	Welded Steel Mild		Konst./Designed:	
ID-Nr./Part No.:	30391		Udfoldet iht./ Unfolding according to:	Ikke angivet tolerancer iht./ Not specified tolerance according to:	
Finavn/File name:	30391 Assembly crosscut knife.iam		Tegnet/Drafted:	Thomas Vittrup	
Beskrivelse:	Assembly crosscut knife		Dato/Date:	13-05-2004	
Description:					
Sidst gemt/Last saved by: TV		Sidst gemt/Last saved: 17-05-2004		Papirstørrelse/Sheet size: A3 sheet 1 of 1	

This document is strictly confidential and must not be copied or disclosed to any third person. HEDSTED GRUPPEN AS

ITEM	QTY	PART NUMBER	DESCRIPTION
1	2	10204020	Bolt/unbrako cyl. 4x20 FZB
2	4	10205016	Bolt unbrako cyl. 5x16 FZB
3	2	10205020	Bolt unbrako cyl. 5x20 FZB
4	2	10205025	Bolt unbrako cyl. 5x25 FZB
5	4	10206012	Bolt unbrako cyl. 6x12 FZB
6	8	10206016	Bolt unbrako cyl. 6x16 FZB
7	2	10206020	Bolt unbrako cyl. 6x20 FZB
8	6	10208020	Bolt/unbrako cyl. 8x20 FZB
9	1	11410030	Hexagon bolt 10x30 FZB
10	2	15040000	Nut M4 FZB
11	1	15100000	Nut M10 FZB
12	2	17905000	Self-locking nut M5 FZB
13	2	20205016	Fitting bolt M5-6x16mm
14	2	207866	Bearing for pawgrib
15	2	207948	Roller for paw cut with bushing
16	1	210320	Cylinder RA/192032/M25
17	1	210340	Cylinder RA/192032/M80
18	2	210427	Lock nut MP150189, M10x1,25
19	2	214115	F-Joint OM-8025-25
20	2	215105	Bump flow control Ø6 1/8"
21	2	215760	Swivel elbow Ø6mm 1/8"
22	1	30233	Assembly front plate for paw system, right
23	1	30233	Assembly back plate for paw system, right
24	1	30244	Pawcut system - Right
25	1	30375	Shaft for turning, pawsystem
26	2	30455	Bracket for stop, pawknife
27	1	30491	Paw clamp assembly
28	1	30566	Shaft for turning pawcut
29	1	30570	Plate for mounting pawgrib block
30	1	30575	Block for pawgrib
31	1	30576	Bracket for pawposition
32	1	30580	Adjustmentplate for pawgrib
33	2	30641	Assembly bracket for ø32cylinder
34	2	30642	Shaft for cylinders
35	4	30643	Spacer 12.2 x 21.8
36	2	473013	Bearing 6000 2 Rst
37	2	76005012	Bolt buttonhead 5x12 FZB
38	8	82105900	Washer M5 FZB
39	6	82106000	Washer M6 FZB
40	6	82108000	Washer M8 FZB
41	1	89710000	Seeger ring for shaft Ø10 din. 471

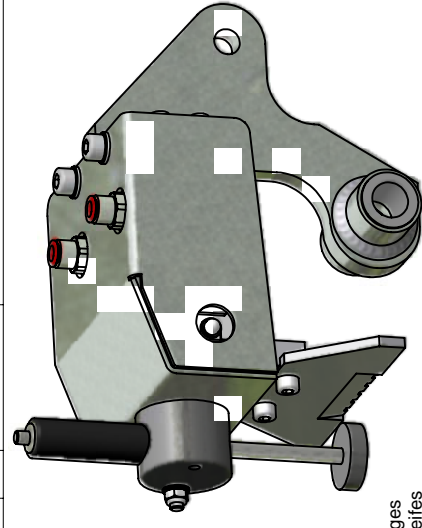


	Skala/Scale:	Material/ Material:	Vægt/Weight:
	1:2	Overfl. beskaffenhed/ Surface properties:	Konst./Designed:
TD-Nr./Part No.:	Udførelse iht./ Unfolding according to:	Tegn/Drafted:	Dato/Date:
30241	DS/ISO 2768-m	Thomas Vittrup	12-05-2004
Filnavn/Filename: 30241.Pawsystem, right side.iam			
Beskrivelse/ Description: Pawsystem, right side Combi / Quickc cut			
Status gemt/last saved by: TV			
Sides gemt/last saved: 16-05-2004			
Papirstørrelse/Sheet size: A2			
sheet 1 of 1			

This document is strictly confidential and must not be copied or disclosed to any third person.

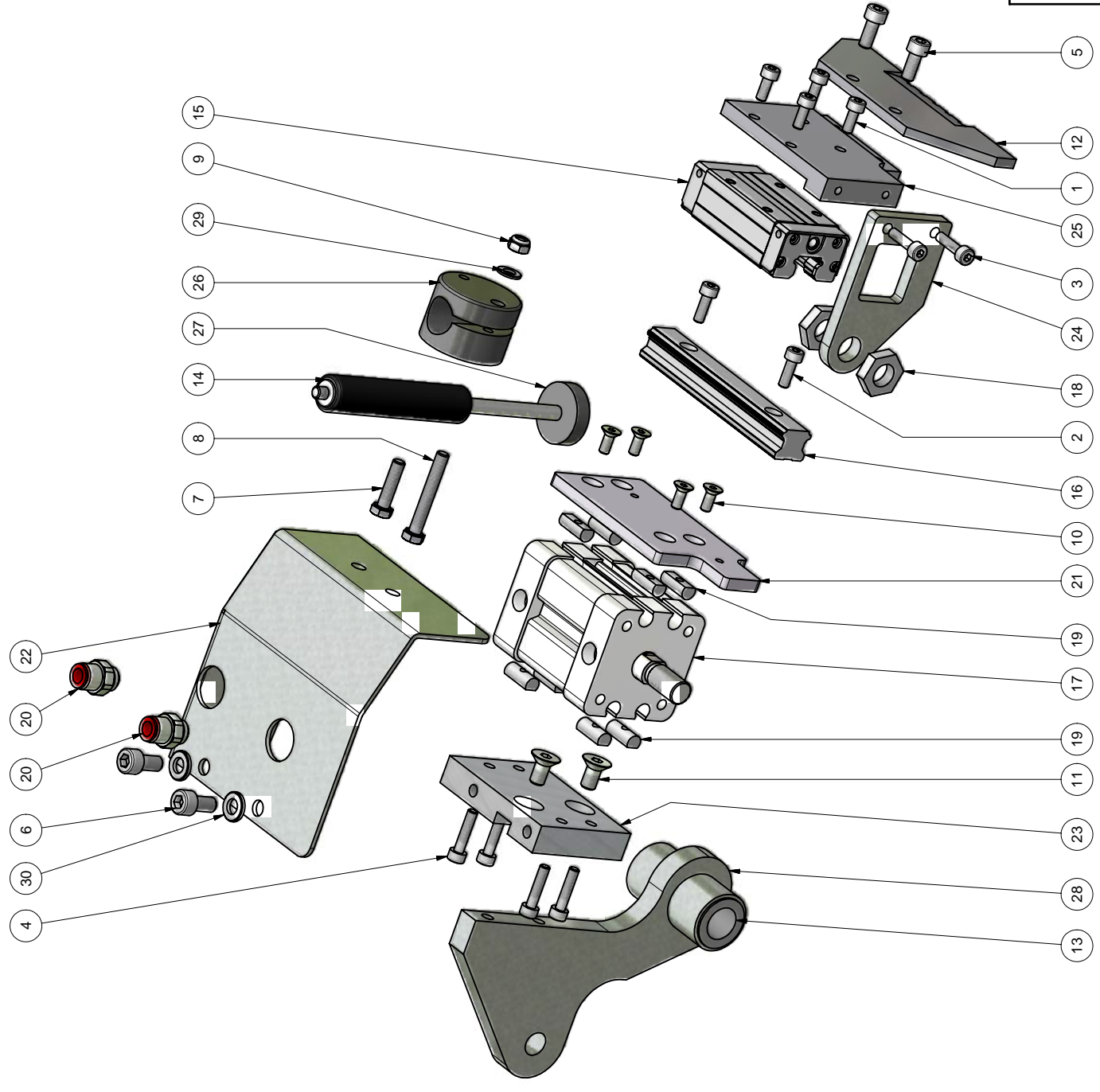
REVISION HISTORY			
REV	DESCRIPTION	DATE	APPROVED
A	New drawing	30-07-2006	kl
B	M4x16 changed to M4x18	17-08-2006	kl
C	Name changed	06-05-2010	KL

Parts List			
ITEM	QTY	PART NUMBER	DESCRIPTION
1	4	10204010	Bolt.unbraco cyl 4x10 FZB
2	2	10204012	Bolt.unbraco cyl 4x12 FZB
3	2	10204016	Bolt.unbraco cyl 4x16 FZB
4	4	10204018	Bolt.unbraco cyl 4x18 FZB
5	2	10205012	Bolt.unbrako cyl 5x12 FZB
6	2	10206012	Bolt.unbrako cyl 6x12 FZB
7	1	11405020	Hexagon bolt m5x20 FZB
8	1	11405035	Hexagon bolt m5x35 FZB
9	1	17905000	Self-locking nut M5 FZB
10	4	20404010	Hexagon countersunk head 4x10 FZB
11	2	20406012	Hexagon countersunk head 6x12 FZB
12	1	207825	Paw knife CC HSS110-62-40-4mm
13	2	207840	Slide Bearing GFM-1416-21
14	1	207875	Gas spring Ø6x50 50N
15	1	207907	Ball runner block / SHS15V
16	1	207909	Ball guide rail / SHS15+95mm
17	1	210330	Cylinder RA/192032/M/20
18	2	210427	Lock nut MP150189_M10x1.25
19	8	214184	Groove nut MP72816
20	2	216520	Straight connector Ø6mm 1/8"
21	1	30231	Mountingplater for right pawknife rail
22	1	30234	Safetyscreen for right pawknife
23	1	30238	Top for console, pawknife
24	1	30250	Bracket for pawknife
25	1	30251	Mountingpiece, right pawknife
26	1	30253	Bracket for gaspring, paw cut
27	1	30254	Pellet for gaspring
28	1	30323	Assembly, branch for turning
29	1	82105900	Washer M5 FZB
30	2	82106000	Washer M6 FZB



Break all edges  
Alle kanter reifes

**HEDENSTED GEPHEN AS**  
 This document is strictly confidential and must not be disclosed or made available to third parties.  
 Scale: 1:2  
 DS/ISO 2768-m  
 Overfl. beskaffenhed/Surface properties:  
 Konstr./Designed: KL  
 Tegning/Drawn: KL  
 Part No.: 30244  
 Utkast/Initial/Version according to: Material:  
 Beskrivelse: Pawcut system - Right  
 Beskrivelse: Pawcut system - Right  
 Description: Combi / Quick cut  
 Beskrivelse: KL  
 Date: 06-03-2007  
 Beskrivelse: KL  
 Size: A3  
 1 / 1

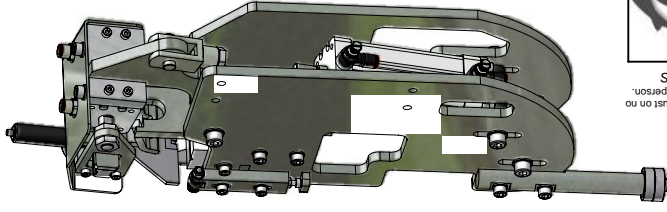
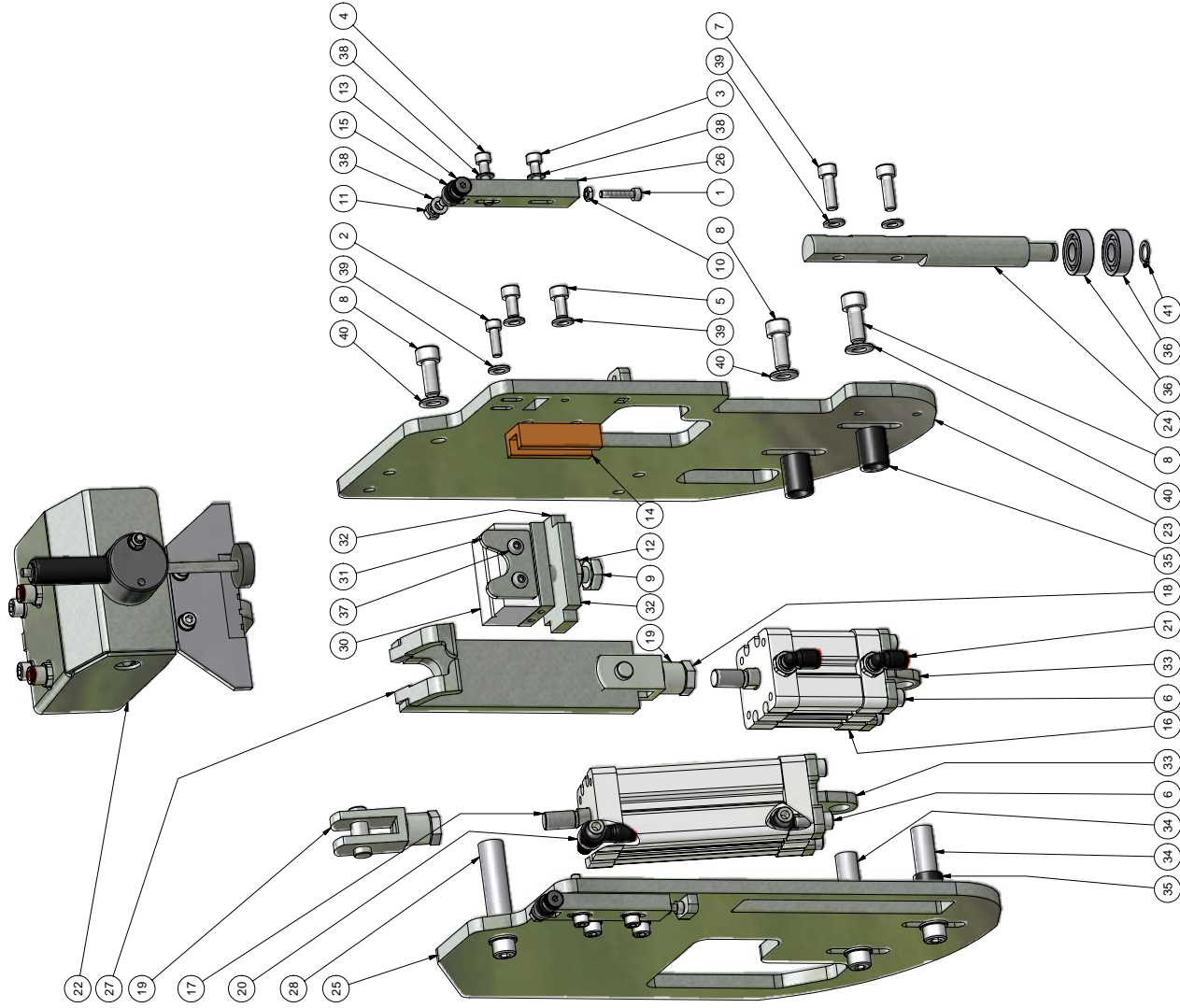


REVISION HISTORY		
REV	DESCRIPTION	DATE
A	New drawing	06-03-2007

APPROVED		
REV	DESCRIPTION	DATE
A	New drawing	06-03-2007



ITEM	QTY	PART NUMBER	DESCRIPTION
1	2	10204020	Bolt.unbrako cyl 4x20 FZB
2	4	10205016	Bolt.unbrako cyl 5x16 FZB
3	2	10205020	Bolt.unbrako cyl 5x20 FZB
4	2	10205025	Bolt.unbrako cyl 5x25 FZB
5	4	10206012	Bolt.unbrako cyl 6x12 FZB
6	8	10206016	Bolt.unbrako cyl 6x16 FZB
7	2	10206020	Bolt.unbrako cyl 6x20 FZB
8	6	10208020	Bolt.unbrako cyl 8x20 FZB
9	1	11410030	Hexagon bolt 10x30 FZB
10	2	1504000	Nut M4 FZB
11	2	1505000	Nut M5 FZB
12	1	1510000	Nut M10 FZB
13	2	20205016	Fitting bolt M5-6x16mm
14	2	207865	Bearing for pawgrib
15	2	207948	Roller for paw cut with bushing
16	1	210320	Cylinder RA1192032/M/25
17	1	210340	Cylinder RA1192032/M/80
18	2	210427	Lock nut MP150189_M10x1_25
19	2	214115	F-Joint CM-8025-25
20	2	215105	Banjo flow control Ø6 1/8"
21	2	215760	Swivel elbow Ø6mm 1/8"
22	1	30242	Pawcut system - Left
23	1	30356	Assembly back plate for paw system, left
24	1	30375	Shaft for turning, pawsystem
25	1	30396	Assembly, front plate for pawsystem, left
26	2	30455	Bracket for stop, pawknife
27	1	30491	Paw clamp assembly
28	1	30566	Shaft for turning pawcut
29	1	30570	Plate for mounting pawgrib block
30	1	30575	Block for pawgrib
31	1	30576	Bracket for pawposition
32	1	30580	Adjustmentplate for pawgrib
33	2	30641	Assembly bracket for ø32cylinder
34	2	30642	Shaft for cylinders
35	4	30643	Spacer 12,2 x 21,8
36	2	473013	Bearing 6000 2 Rs1
37	2	76005012	Bolt buttonhead 5x12 FZB
38	6	82105900	Washer M6 FZB
39	8	82106000	Washer M6 FZB
40	6	82108000	Washer M8 FZB
41	1	89710000	Seeger ring for shaft Ø10 din 471



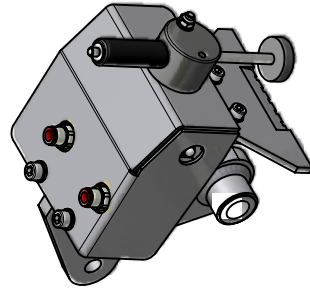
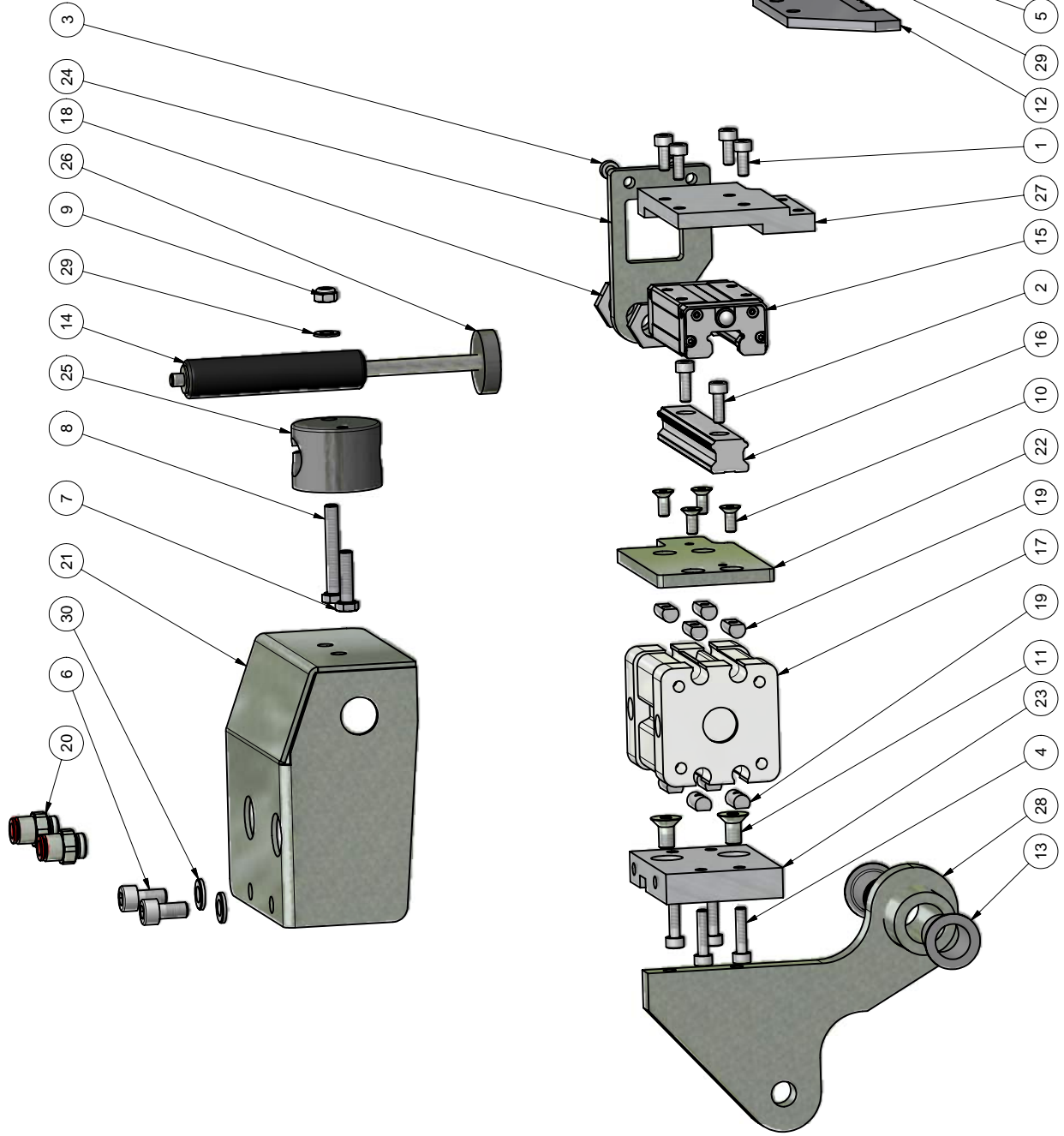
	Skala/Scale:	Material/ Material:	Weight/Weight:
	1:2	Overfl. beskaffenhed/ Surface properties:	Kg Konst./Design:
TD-Nr./Part No.:	Løstødet iht./ Unfolding according to:		Tegnet/Drafted:
30243	DS/ISO 2768-m		Thomas Vittrup
Filnavn/Filename: 30243 Pawsystem, left side iam			
Beskrivelse/ Pawsystem, left side			
Dato/ Combi / Quick cut			
Status gemt/Last saved by: TV			
11-05-2004		Papirstørrelse/Sheet size: A2	
11-05-2004		Sheet 1 of 1	

This document is strictly confidential and must not be copied or disclosed to any third person.  
 HEDDENSTED GRUPPEN A/S

REV	DESCRIPTION	DATE	APPROVED
A	New drawing	30-07-2006	KL
B	M4x16 Changed til M4x17	17-06-2006	KL
C	Changed to RA cylinder	09-10-2006	KL
D	Name changed	06-05-2010	KL

REV	DESCRIPTION	DATE	APPROVED
A	New drawing	30-07-2006	KL
B	M4x16 Changed til M4x17	17-06-2006	KL
C	Changed to RA cylinder	09-10-2006	KL
D	Name changed	06-05-2010	KL

ITEM	QTY	PART NUMBER	DESCRIPTION
1	4	10204010	Bolt.unbraco cyl/ 4x10 FZB
2	2	10204012	Bolt.unbraco cyl/ 4x12 FZB
3	2	10204016	Bolt.unbraco cyl/ 4x16 FZB
4	4	10204018	Bolt.unbraco cyl/ 4x18 FZB
5	2	10205012	Bolt.unbrako cyl/ 5x12 FZB
6	2	10206012	Bolt.unbrako cyl/ 6x12 FZB
7	1	11405020	Hexagon bolt m5x20 FZB
8	1	11405035	Hexagon bolt m5x35 FZB
9	1	17905000	Self-locking nut M5 FZB
10	4	20404010	Hexagon countersunk head 4x10 FZB
11	2	20406012	Hexagon countersunk head 6x12 FZB
12	1	207825	Paw knife CC HSS110-62-40-4mm
13	2	207840	Slide Bearing GFM-1416-21
14	1	207875	Gas spring Ø6x50 50N
15	1	207907	Ball runner block / SHS15V
16	1	207909	Ball guide rail / SHS15+95mm
17	1	210330	Cylinder RA/192032/M/20
18	2	210427	Lock nut MP-150189_M10x1.25
19	8	214184	Groove nut MP72816
20	2	216520	Straight connector Ø6mm 1/8"
21	1	30236	Safety screen for left pawknife
22	1	30237	Mountingplate for left pawknife rail
23	1	30238	Top for console, pawknife
24	1	30250	Bracket for pawknife
25	1	30253	Bracket for gasspring, paw cut
26	1	30254	Pellet for gasspring
27	1	30285	Mountingpiece for left pawknife
28	1	30323	Assembly, branch for turning
29	3	82105900	Washer M5 FZB
30	2	82106000	Washer M6 FZB



Break all edges  
Alle kanter reifes

This document is strictly confidential and must not be disclosed or copied for any use without the prior written consent of HEDENSTED GEPHEN AS.

Scale: 1:2

Like angivet tolerance iht/ Not specified tolerance according to: Konst./Designed: DS/ISO 2768-m

Overfl. beskaffenhed/surface properties: Tegnet/Draffet: KL

Utkastet i/ Unkasting according to: Material: KL

Plan No.: 30242 Date: 01-05-2004

Beskrivelse: Pawcut system - Left

Identification: Combi / Quick cut

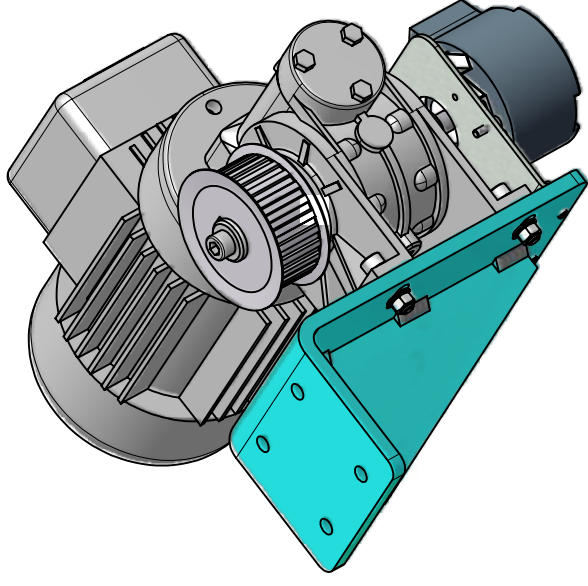
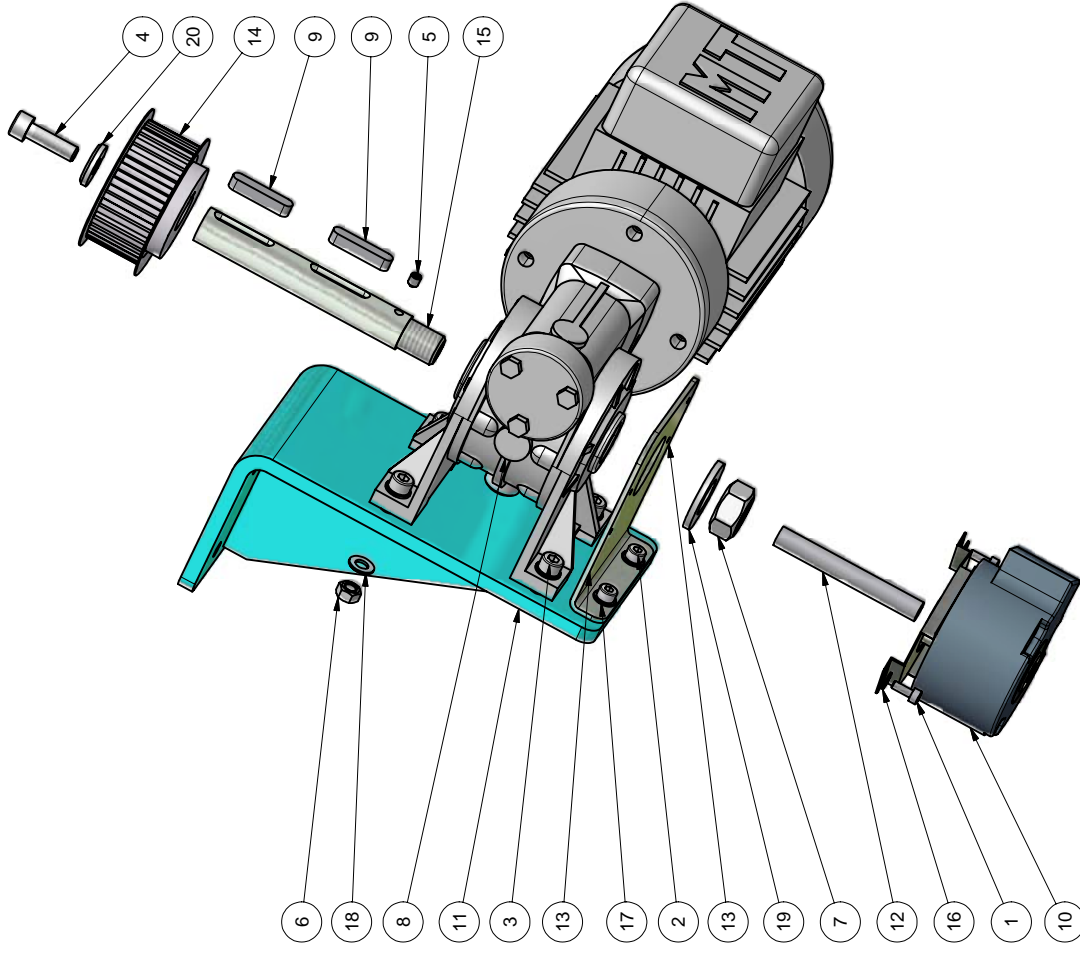
Scale: 1:2

Sheet size: A3

Sheet: 1 / 1

REV	DESCRIPTION	DATE	APPROVED
A	Marb	19-05-2010	KC

Parts List			
ITEM	QTY	PART NUMBER	DESCRIPTION
1	2	10203008	Bolt Unbraco cyl 3x8 FZB
2	2	10204010	Bolt unbraco cyl 4x10 FZB
3	4	10205020	Bolt unbrako cyl 5x20 FZB
4	1	10206020	Bolt unbraco cyl 6x20 FZB
5	1	10504005	Stop screw 4x5 black
6	4	1505000	Nut M5 FZB
7	1	1512000	Nut M12 FZB
8	1	207904	Gearmotor RMI 28S56B14
9	2	207946	Key 5x5x25mm DIN-6885A
10	1	207956	Encoder Type 8.5020.C922.0500
11	1	30144	Small engine bracket
12	1	30171	Shaft for encoder
13	1	30173	Bracket for encoder crosscut knife
14	1	30600	Pulley AT5 Z32 gear side
15	1	30780	Shaft for crosscut knife
16	2	82103000	Washer M3 FZB
17	2	82104000	Washer M4 FZB
18	8	82105900	Washer M5 FZB
19	1	82112000	Washer M12 FZB
20	1	87606000	Washer ø6,5x16,5x3 FZB



Alle kanter reifes

**HEINZED GEPHEN AS**

Scale: Like angivet tolerance in / Not specified tolerance according to: **DS/ISO 2768-m**

Overfl: beskaffenhet/Surface properties: **Tegnet/Draft: KL**

Part No.: **207853** Material: **Date: 05-03-2007**

Beskrivelse: **Gear for crosscut knife**

Utkastet er i henhold til: **Utkastet er i henhold til: 06-03-2007**

Blad nr.: **A3** Side: **1 / 1**

# 13. Luftdiagram

