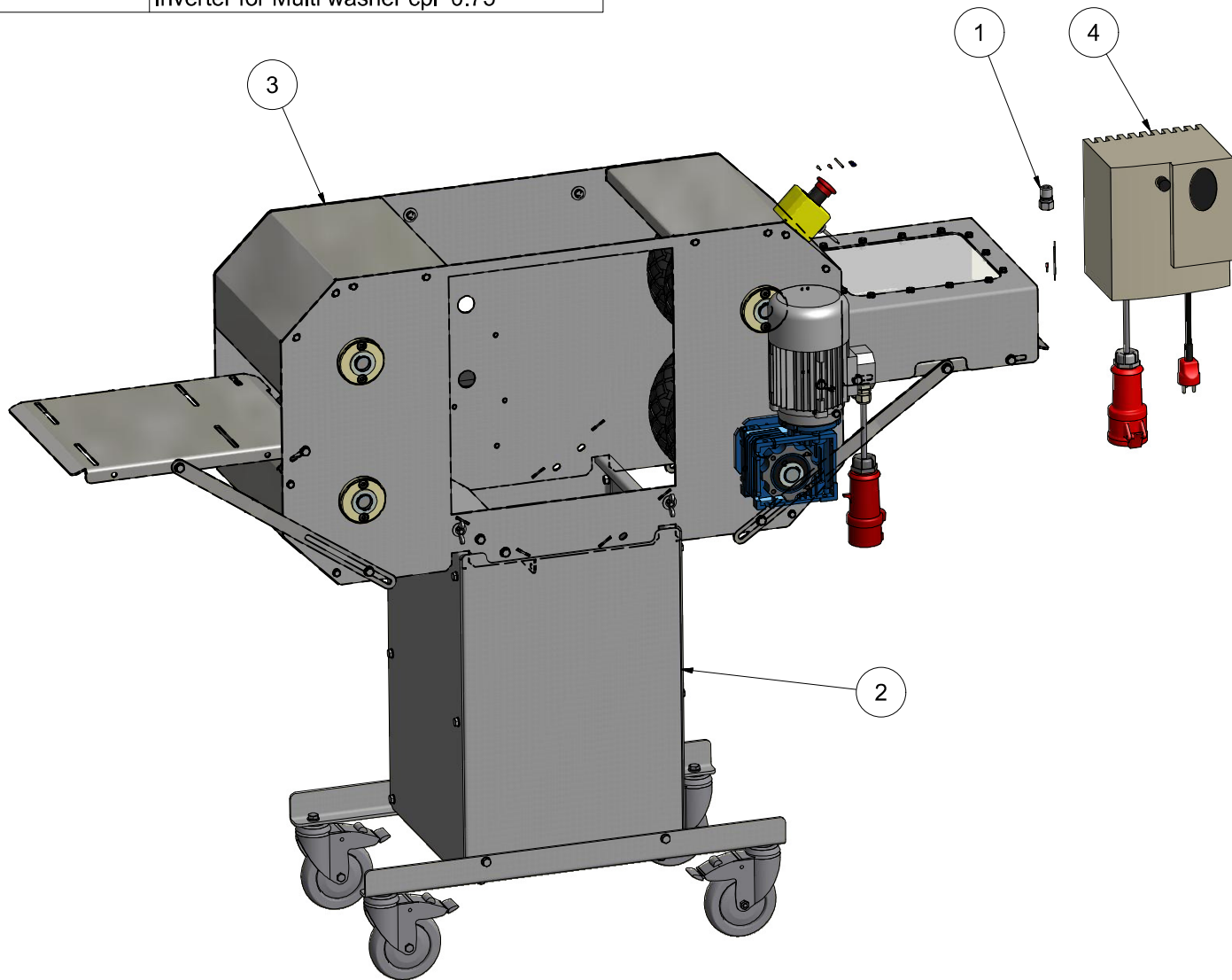


PARTS LIST

ITEM	QTY	PART NUMBER	DESCRIPTION
1	1	M101001	3/8" High pres coupling MALE
2	1	M101019	Wagon cpl
3	1	M101031	Washer casing cpl
4	1	M101046	Inverter for Multi washer cpl 0.75

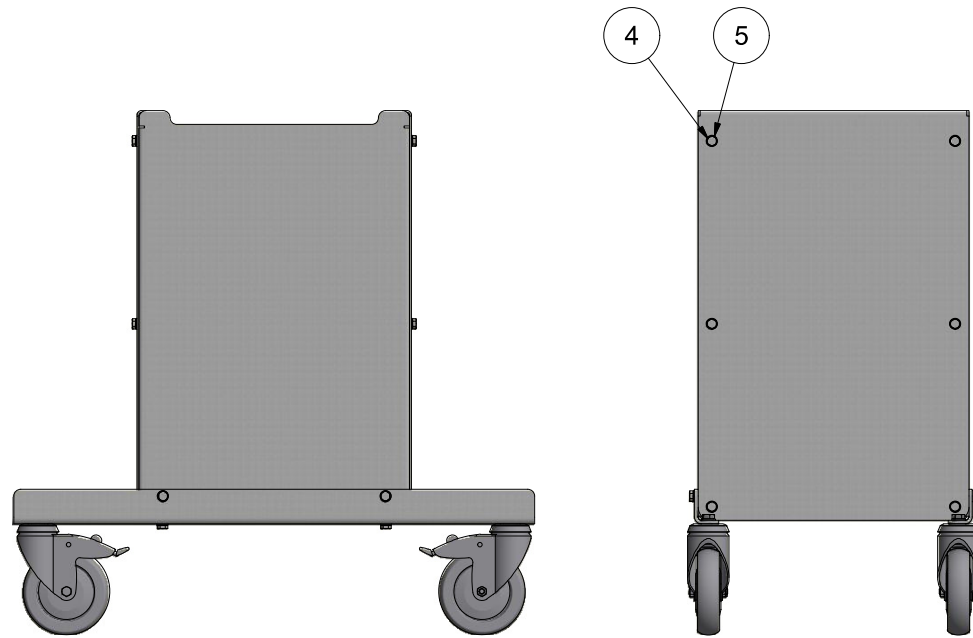


Breake all edges

REV	DESCRIPTION	DATE	APPROVED
A	Made	05-03-2015	ST
B	Casings on sepearte numbers	17-04-2015	KL

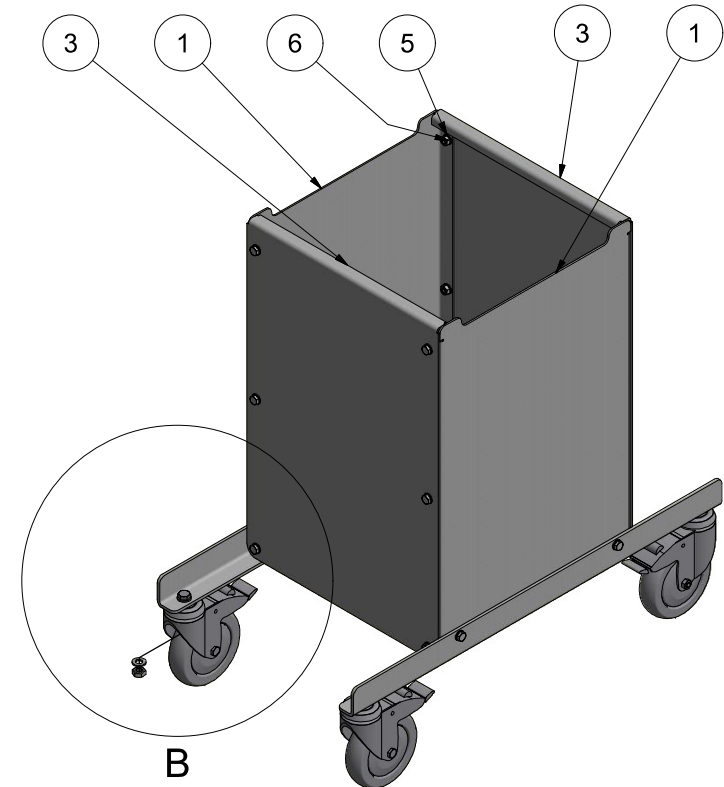
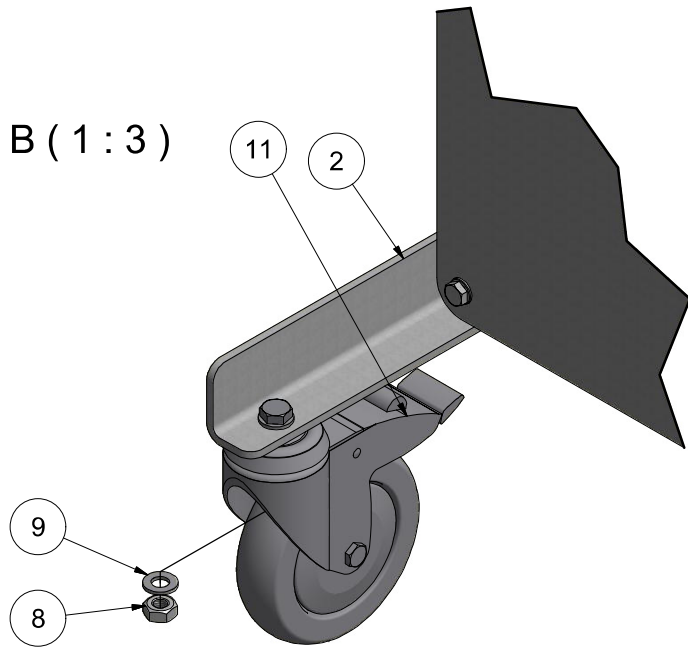
REVISION HISTORY

 HEDENSTED GRUPPEN A/S	Scale:	1 : 8	Not specified tolerance according to:	DS/ISO 2768-m	Sheet size:	A3
			Surface properties:	No	Sheet:	1 / 1
Part No.:	125270	Revision:	A	Material:		
Description 1:	Multi-washer 2 in 1					
Description 2:						



PARTS LIST			
ITEM	QTY	PART NUMBER	DESCRIPTION
1	2	M11063	Front and back for wagon
2	2	M11062	Bottom rail for wagon
3	2	M11061	Side plate for wagon
4	12	12908016	Hexagon Bolt M8 x 16 A2
5	40	81808000	Washer M8 inox A2
6	20	12608000	Nut M8 stainless A2
7	8	12908020	Hexagon Bolt M8 x 20 A2
8	4	12610000	Nut M10 stainless A2
9	8	81810000	Washer M10 A2
10	4	12910020	Hexagon Bolt M10 x 25 A2
11	4	M101065	Wheel turn and brake Ø125

B (1 : 3)

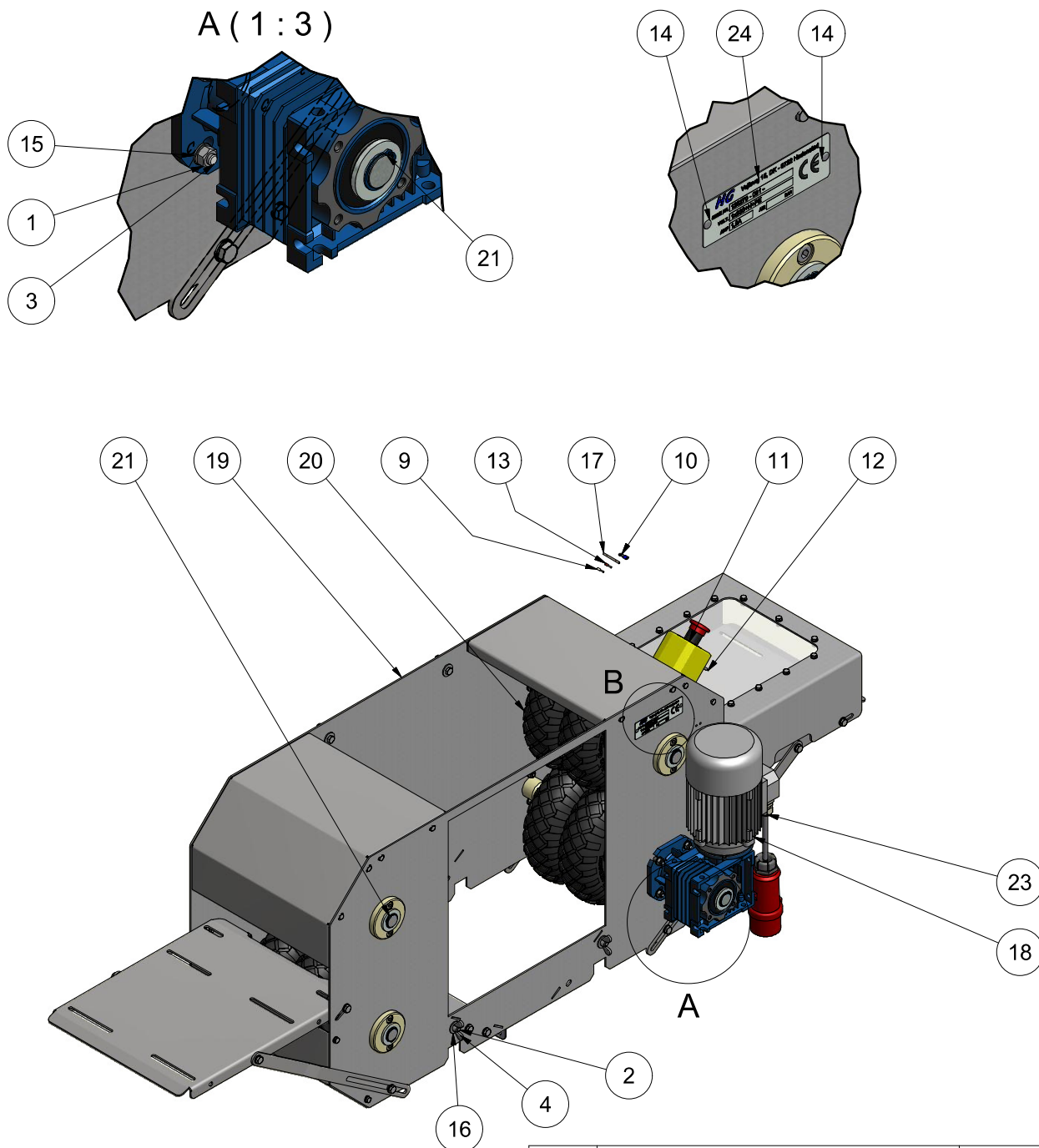


B

Breake all edges

This drawing is the property of HEDENSTED GRUPPEN A/S. It is not to be copied, reproduced, or disseminated in any form without the express written permission of HEDENSTED GRUPPEN A/S.	HG	Scale:	Not specified tolerance according to:	Sheet size:
	HEDENSTED GRUPPEN A/S	0,13 : 1	DS/ISO 2768-m	A3
	Part No.:	Revision:	Surface properties:	Sheet:
	M101019	A	No	1 / 1
Description 1:		Material:		
Wagon cpl				
Description 2:				

REV	DESCRIPTION	DATE	APPROVED
A	Made	02-03-2015	ST
REVISION HISTORY			



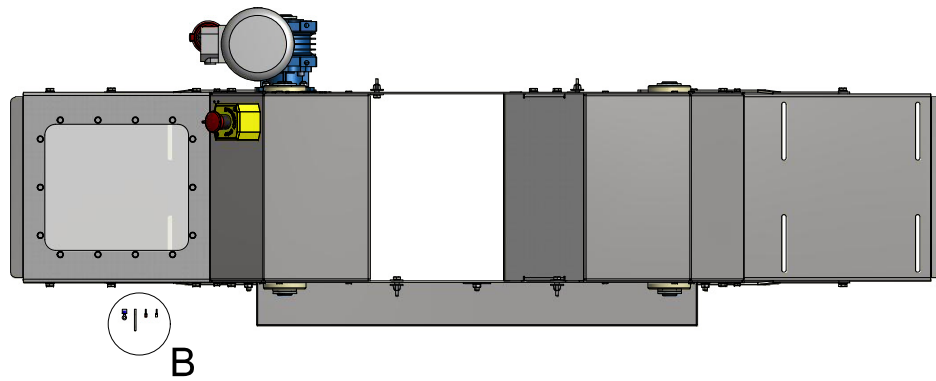
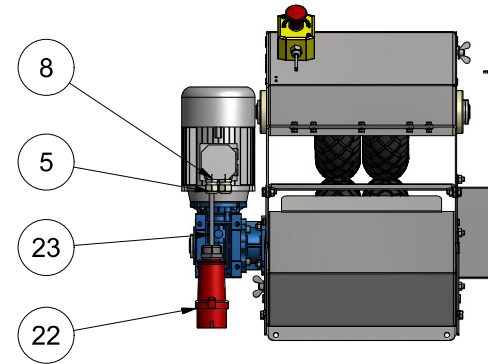
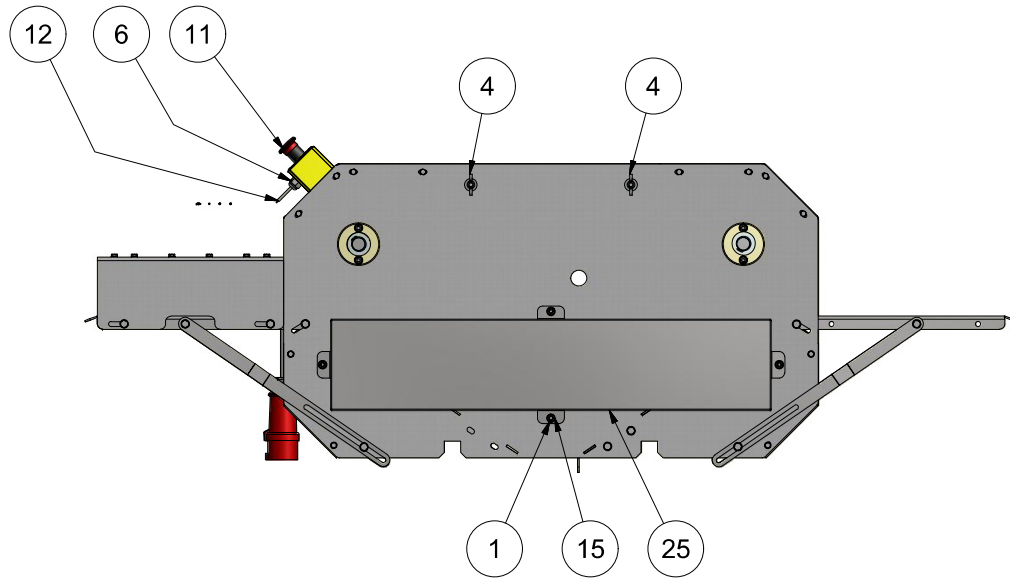
PARTS LIST			
ITEM	QTY	PART NUMBER	DESCRIPTION
1	8	12608000	Nut M8 stainless A2
2	4	12908020	Hexagon Bolt M8 x 20 A2
3	4	12908025	Hexagon bolt m8 x 25 - A2
4	4	49108000	Wing-nut A2 M8
5	2	600455	Cabel gland M20 Ø5-12
6	1	600460	Cable gland M16
7	1	600470	Nut M16 polyamid
8	2	600475	Nut M20 polyamid
9	1	600530	Pin/Iso H0,75/14 902123 P500
10	4	600625	Cable shoe IS.0,75-1,5 Ø4
11	1	600680	Emergency stop box
12	1,0 m	601000	Cable OZ 2x0,75mm2
13	6	601065	Piniso H1,0 on strip, Red
14	2	7003206	Blind rivet 3,2x6mm
15	12	81808000	Washer M8 inox A2
16	8	83508000	Washer ø8x24x2 A2
17	2	99851885	Crimp connector with tin red
18	1	M101025	Gearmotor 0,37kw 1500rpm 1:20
19	1	M101032	Washer casing
20	1	M101036	Wheels for casing cpl
21	1	M101037	Shafts motor and wheels
22	1	M101048	Plug 16amp 7pin Male
23	6,0 m	M101050	Cable CY-JZ 7G1,0
24	1	M101253	Id plate for Multi Cleaner
25	1	M11016	Chain cover

REV	DESCRIPTION	DATE	APPROVED
A	Made	04-03-2015	ST
B	ID plate added	01-06-2015	KL
C	Pins changed 601060 to 600530	02-06-2015	MRH
REV	DESCRIPTION	DATE	APPROVED

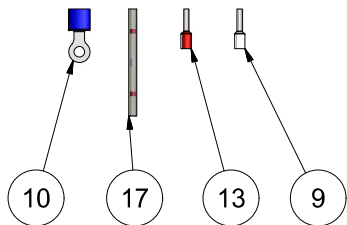
REVISION HISTORY

Breake all edges


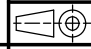
HG HEDENSTED GRUPPEN	Scale:	1 : 8	Not specified tolerance according to:	DS/ISO 2768-m	Sheet size:	A3
			Surface properties:	No	Sheet:	1 / 2
Part No.:	M101031	Revision:	A	Material:		
Description 1:	Washer casing cpl					
Description 2:						

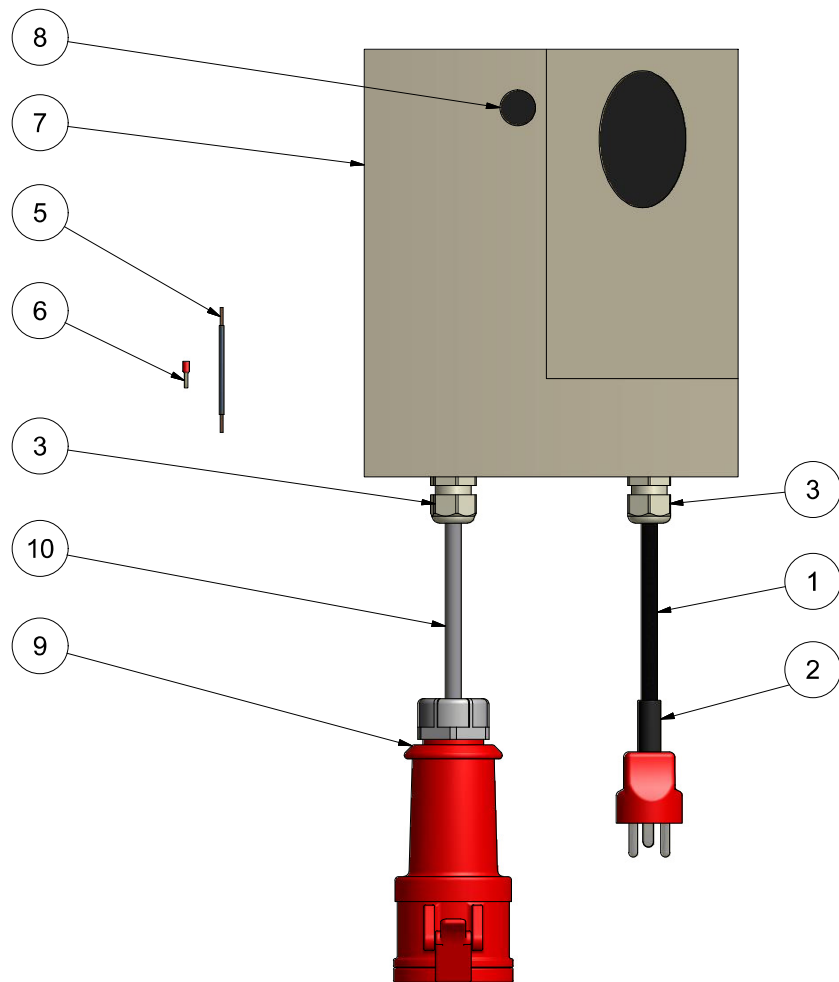


B (1:2)



Break all edges

This document is the property of HEDENSTED GRUPPEN A/S. It is not to be distributed to any third party.		Scale: 1 : 8	Not specified tolerance according to: DS/ISO 2768-m	Sheet size: A3	
	HEDENSTED GRUPPEN A/S		Surface properties: No	Sheet: 2 / 2	
	Part No.: M101031	Revision: A	Material:		
	Description 1: Washer casing cpl				
Description 2:					



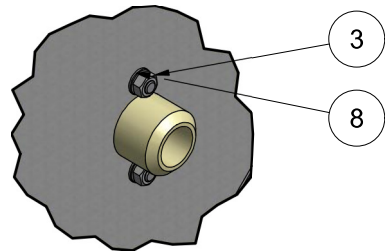
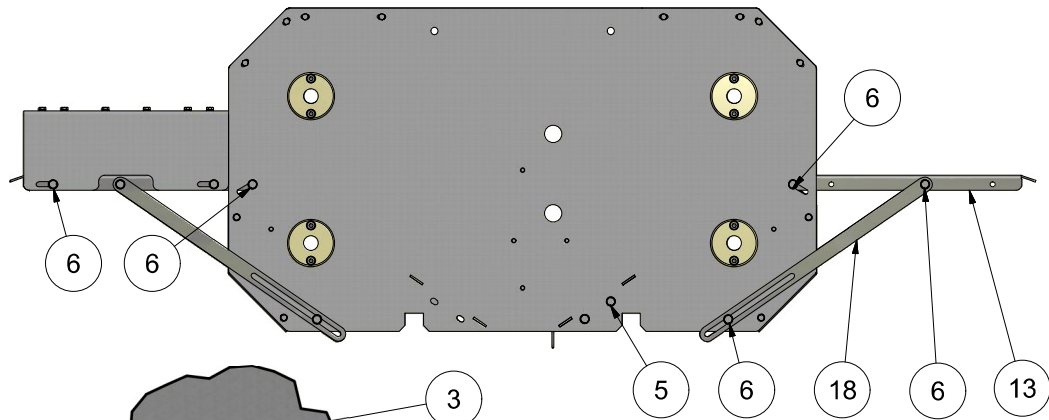
PARTS LIST			
ITEM	QTY	PART NUMBER	DESCRIPTION
1	3,0 m	16553	Rubbercable H07 RN-F 3G1,50
2	1	600252	Plug S-6 red/green
3	2	600455	Cabel gland M20 Ø5-12
4	2	600475	Nut M20 polyamid
5	1,0 m	600490	Cord HO5V2K 1x0,75 d. blue PVT
6	15	601065	Piniso H1,0 on strip, Red
7	1	M101044	Frequency converter 0,75kw
8	1	M101045	Potentiometer
9	1	M101049	Plug, 7P/16A Female
10	1,0 m	M101050	Cable CY-JZ 7G1,0

Breake all edges

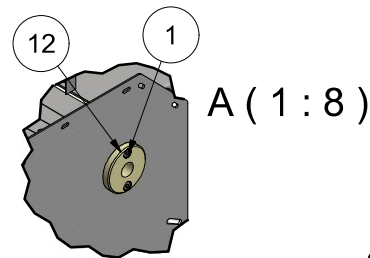
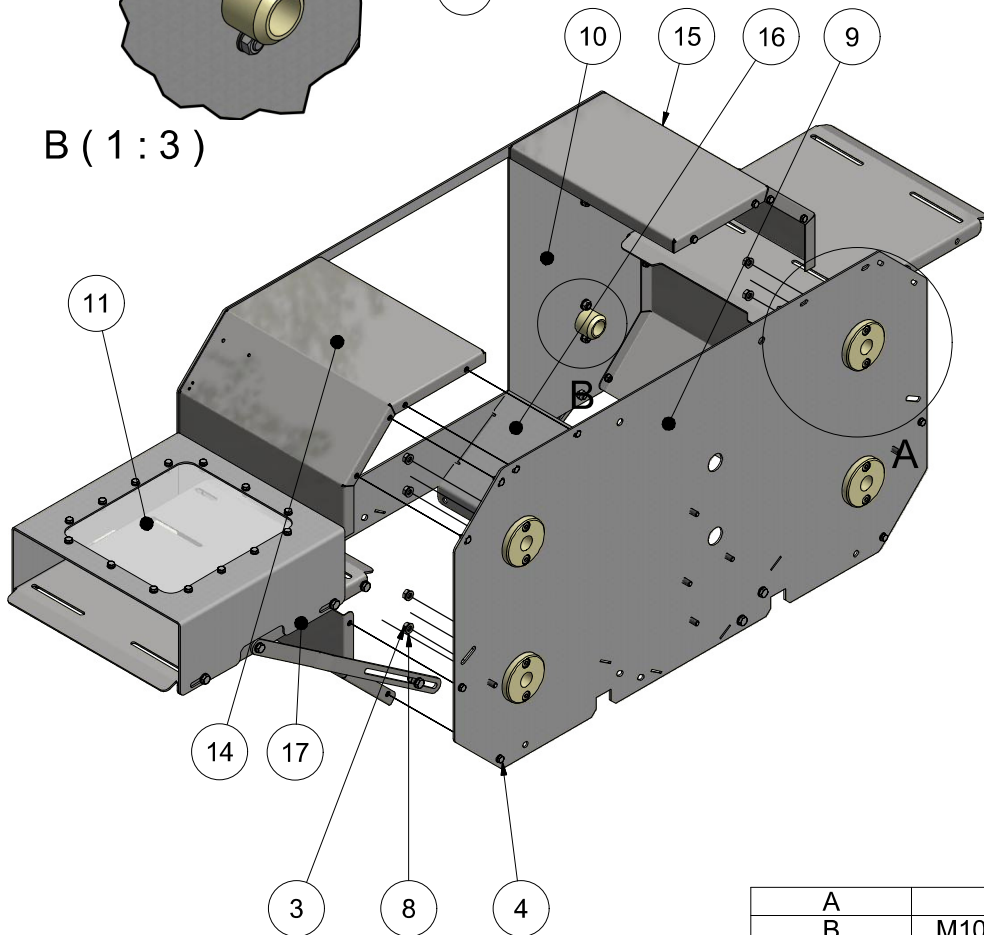
This drawing is the property of HEDENSTED GRUPPEN A/S. It is not to be copied, distributed or used for any other purpose without the express written permission of HEDENSTED GRUPPEN A/S.	HG	Scale:	Not specified tolerance according to:	Sheet size:
	HEDENSTED GRUPPEN	1 : 3	DS/ISO 2768-m	A3
	Part No.:		Surface properties:	Sheet:
	M101046	No	1 / 1	
	Revision:	Material:		
	A			
Description 1:				
Inverter for Multi washer cpl. 0.75				
Description 2:				

REV	DESCRIPTION	DATE	APPROVED
A	Made	09-03-2015	ST

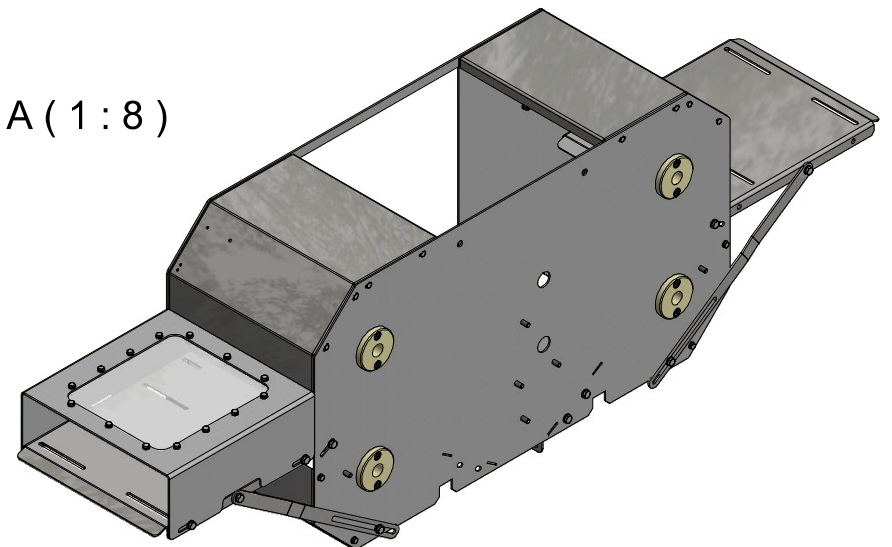
REVISION HISTORY



B (1:3)



A (1:8)



PARTS LIST

ITEM	QTY	PART NUMBER	DESCRIPTION
1	14	10708016	Bolt unbraco cyl M8 x 16 A2
2	24	12606000	Nut M6 A2
3	27	12608000	Nut M8 stainless A2
4	24	12906012	Hexagon Bolt M6x12 A2
5	4	12908016	Hexagon Bolt M8 x 16 A2
6	16	12908020	Hexagon Bolt M8 x 20 A2
7	48	81806000	Washer M6 A2
8	47	81808000	Washer M8 inox A2
9	1	M100979	Backplate cpl
10	1	M100985	Front plate Cpl
11	1	M101055	Shield for inlet cpl
12	7	M11014	Bush for wheel shaft
13	2	M11019	In and out table
14	1	M11021	Right top plate
15	1	M11022	Left top plate
16	1	M11025	Outlet
17	2	M11026	Shield under table
18	4	M11027	Shore for in and out table

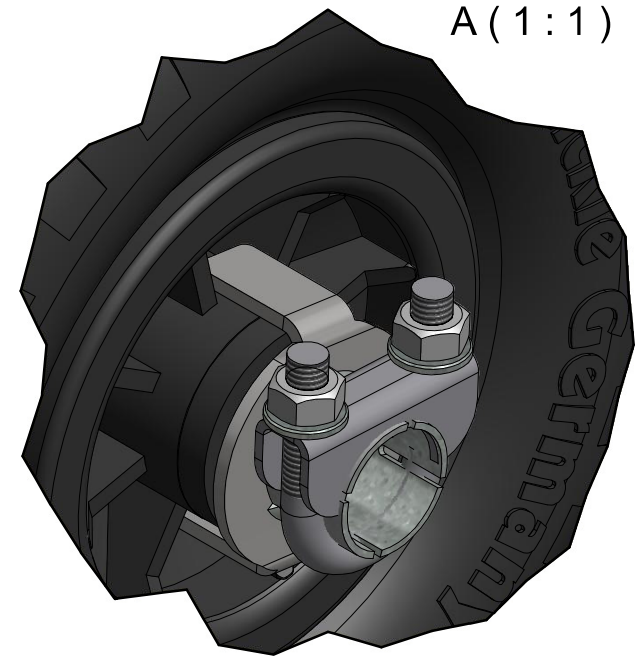
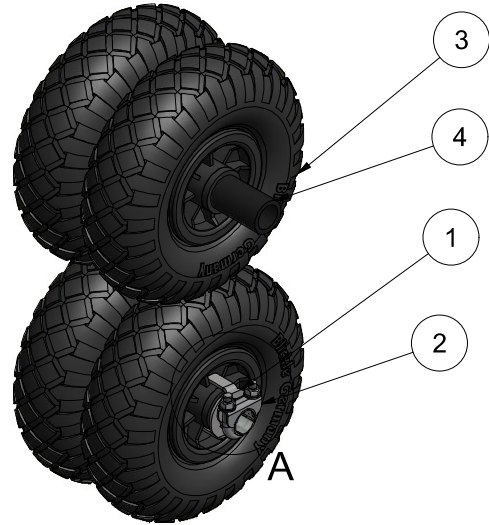
Breake all edges

This drawing is the property of HEDENSTED GRUPPEN A/S. It is not to be copied, reproduced or disseminated in any form without the prior written permission of HEDENSTED GRUPPEN A/S.		Scale: 0,11 : 1	Not specified tolerance according to: DS/ISO 2768-m	Sheet size: A3	
	HEDENSTED GRUPPEN A/S		Surface properties: No	Sheet: 1/1	
	Part No.: M101032	Revision: A	Material:		
	Description 1: Washer casing				
Description 2:					

REV	DESCRIPTION	DATE	APPROVED
A	Made	04-03-2015	ST
B	M100988 removed	17-04-2015	KL
REV	DESCRIPTION	DATE	APPROVED

REVISION HISTORY

PARTS LIST			
ITEM	QTY	PART NUMBER	DESCRIPTION
1	4	M101034	Carry for tracking wheel cpl
2	4	M101072	Pipe clamp ø28 A2
3	8	M101171	Wheel with plastic rim 260x85x25
4	4	M11076	Spacer for wheel shaft



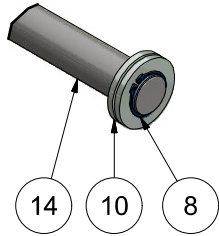
REV	DESCRIPTION	DATE	APPROVED
A	Made	04-03-2015	ST
B	Wheel changed	20-05-2015	KL

REVISION HISTORY

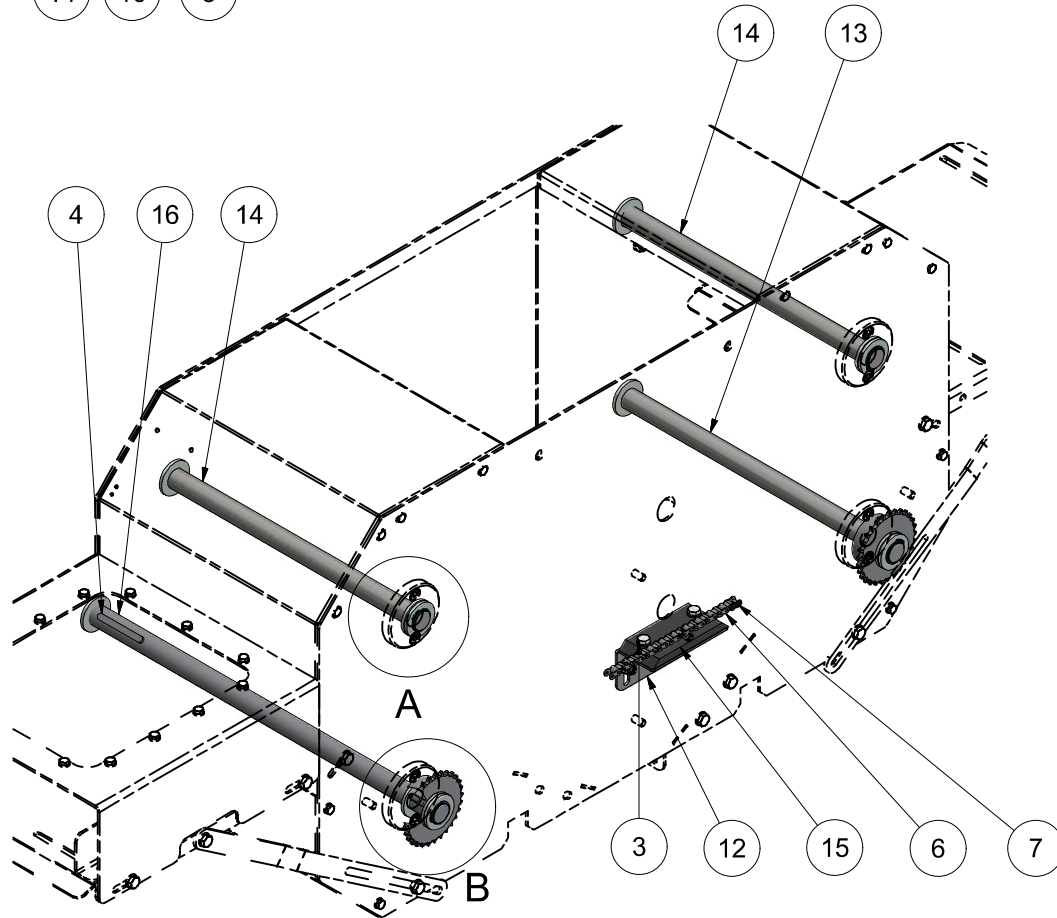
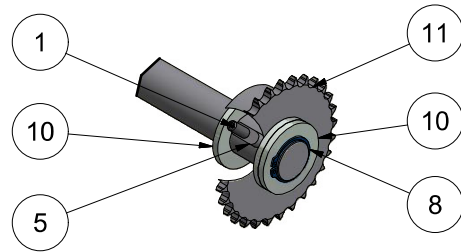
Breake all edges

<small>Alle Maße sind in mm angegeben und gelten für die Ausführung in Stahl. Änderungen vorbehalten. Nachdruck ist ausdrücklich untersagt. © Heddensted Gruppen A/S</small>	HG	Scale:	Not specified tolerance according to:	Sheet size:
	HEDENSTED GRUPPEN	1 : 5	DS/ISO 2768-m	A3
	Part No.:	M101036	Surface properties:	Sheet:
	Description 1:	Wheels for casing cpl		
Description 2:	Revision:	A	Material:	

A (1:3)



B (1:3)



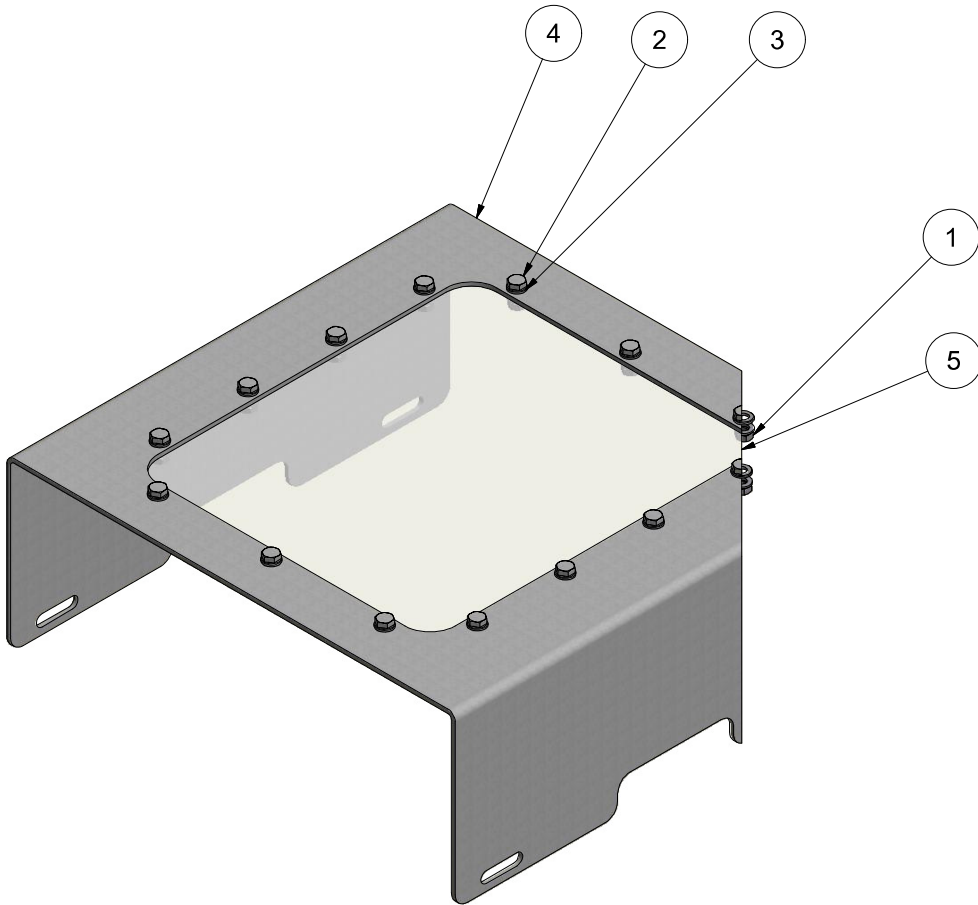
PARTS LIST			
ITEM	QTY	PART NUMBER	DESCRIPTION
1	2	10506016	Stop screw 6x16mm black
2	4	12608000	Nut M8 stainless A2
3	2	12908025	Hexagon bolt m8 x 25 - A2
4	1	204795	Key 8x7x70mm DIN-6885A
5	2	204885	Key 8x7x20mm DIN-6885A
6	2,0 m	222702	Chain 06B1 3/8-7/32
7	1	222704	Joint for chain 06B - 3/8"
8	8	49725000	Seeger rings for shaft ø25
9	6	81808000	Washer M8 inox A2
10	14	81824000	Washer ø25-ø44x4 A2
11	2	M101028	Chain wheel 06B1 Z=29 Ø25
12	1	M11024	Bracket for chain tension
13	1	M11028	Wheel shaft f. gear
14	2	M11030	Wheel shaft
15	1	M11064	Wear plate for chain tension
16	1	M11066	Shaft for motor

Breake all edges

This drawing shall be read in conjunction with the drawing of the assembly to which it is related.		Scale:	1:6	Not specified tolerance according to:	DS/ISO 2768-m	Sheet size:	A3	
	HEDENSTED GRUPPEN A/S			Surface properties:	No	Sheet:	1/1	
	Part No.: M101037	Revision: A	Material:					
	Description 1: Shafts motor and wheels							
Description 2:								

A	Made	04-03-2015	ST
REV	DESCRIPTION	DATE	APPROVED
REVISION HISTORY			

PARTS LIST			
ITEM	QTY	PART NUMBER	DESCRIPTION
1	14	12606000	Nut M6 A2
2	14	12906012	Hexagon Bolt M6x12 A2
3	28	81806000	Washer M6 A2
4	1	M11070	Shield for inlet
5	1	M11071	window for inlet shield

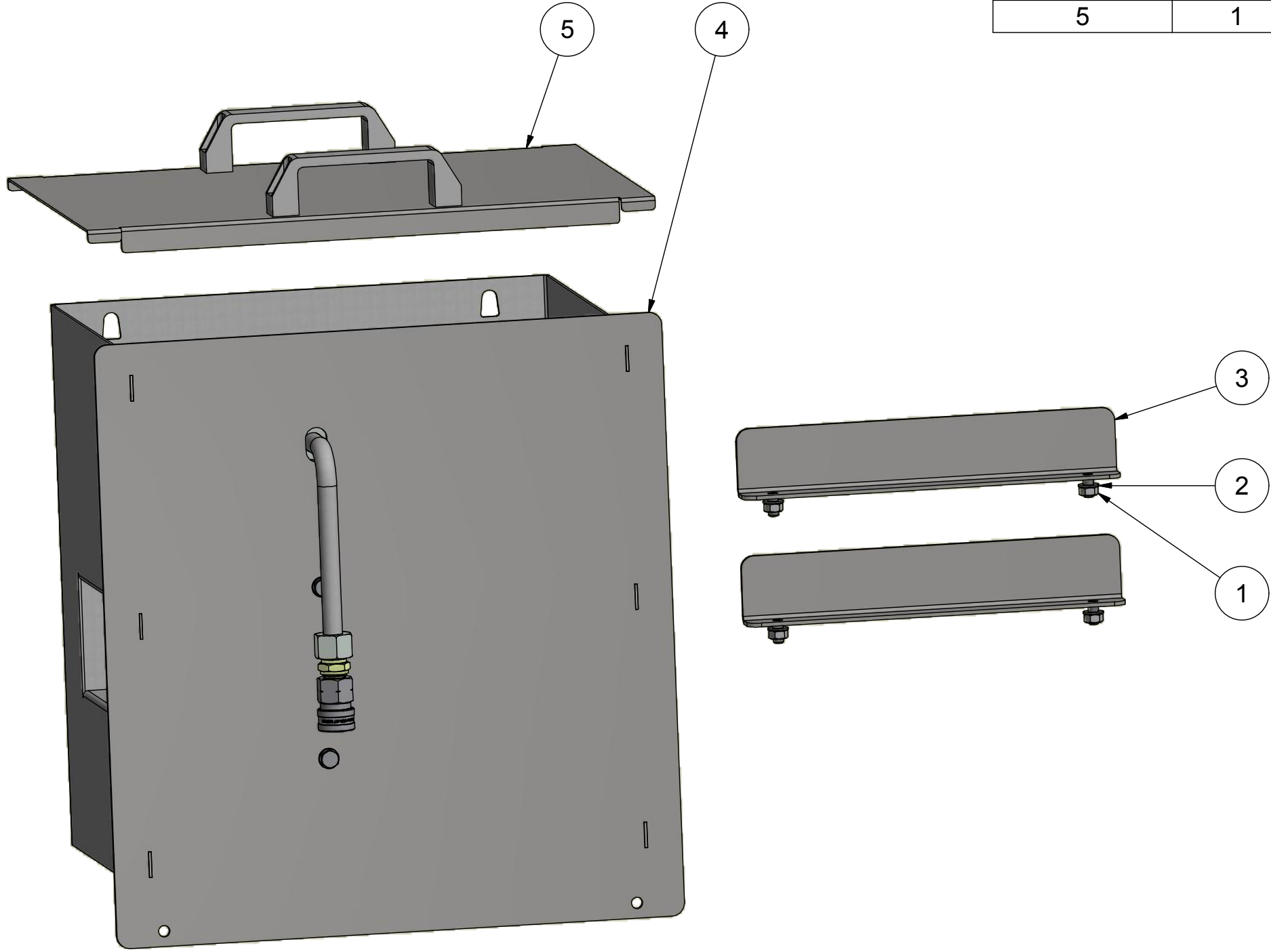


Breake all edges

<small>Alle Rechte vorbehalten. Nachdruck, Vervielfältigung und Verbreitung, auch auszugsweise, ist ohne schriftliche Genehmigung der HEDENSTED GRUPPEN A/S.</small>		Scale: 1 : 3	Not specified tolerance according to: DS/ISO 2768-m	Sheet size: A3	
			Surface properties: No	Sheet: 1 / 1	
	Part No.: M101055	Revision: A	Material:		
	Description 1: Shield for inlet cpl				
Description 2:					

REV	DESCRIPTION	DATE	APPROVED
A	Made	10-03-2015	ST
REVISION HISTORY			

PARTS LIST			
ITEM	QTY	PART NUMBER	DESCRIPTION
1	5	12608000	Nut M8 A2
2	5	81808000	Washer M8 A2
3	2	M100988	Guide rail in and out cpl
4	1	M100991	Board casing cpl
5	1	M101043	Loose lid cpl



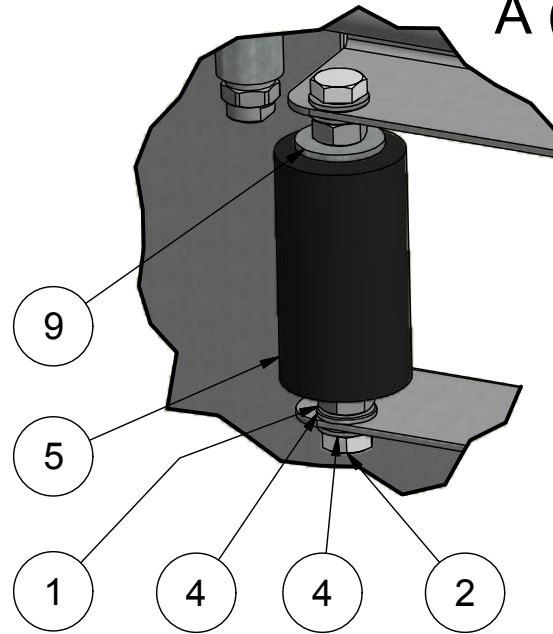
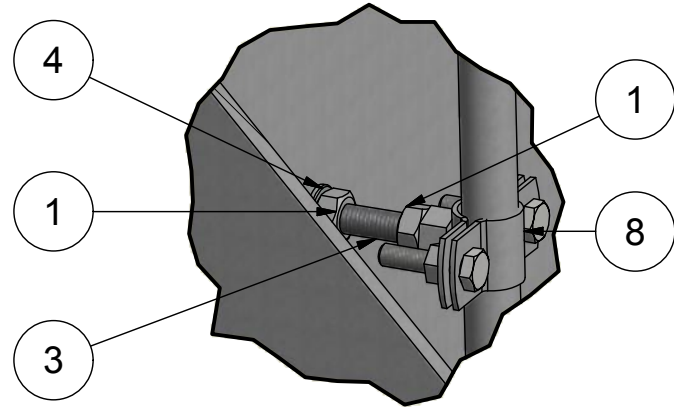
Break all edges

Revision:	Approved	Date:	Revision Description
1	HG	28-09-2015	Revision changed to numeric

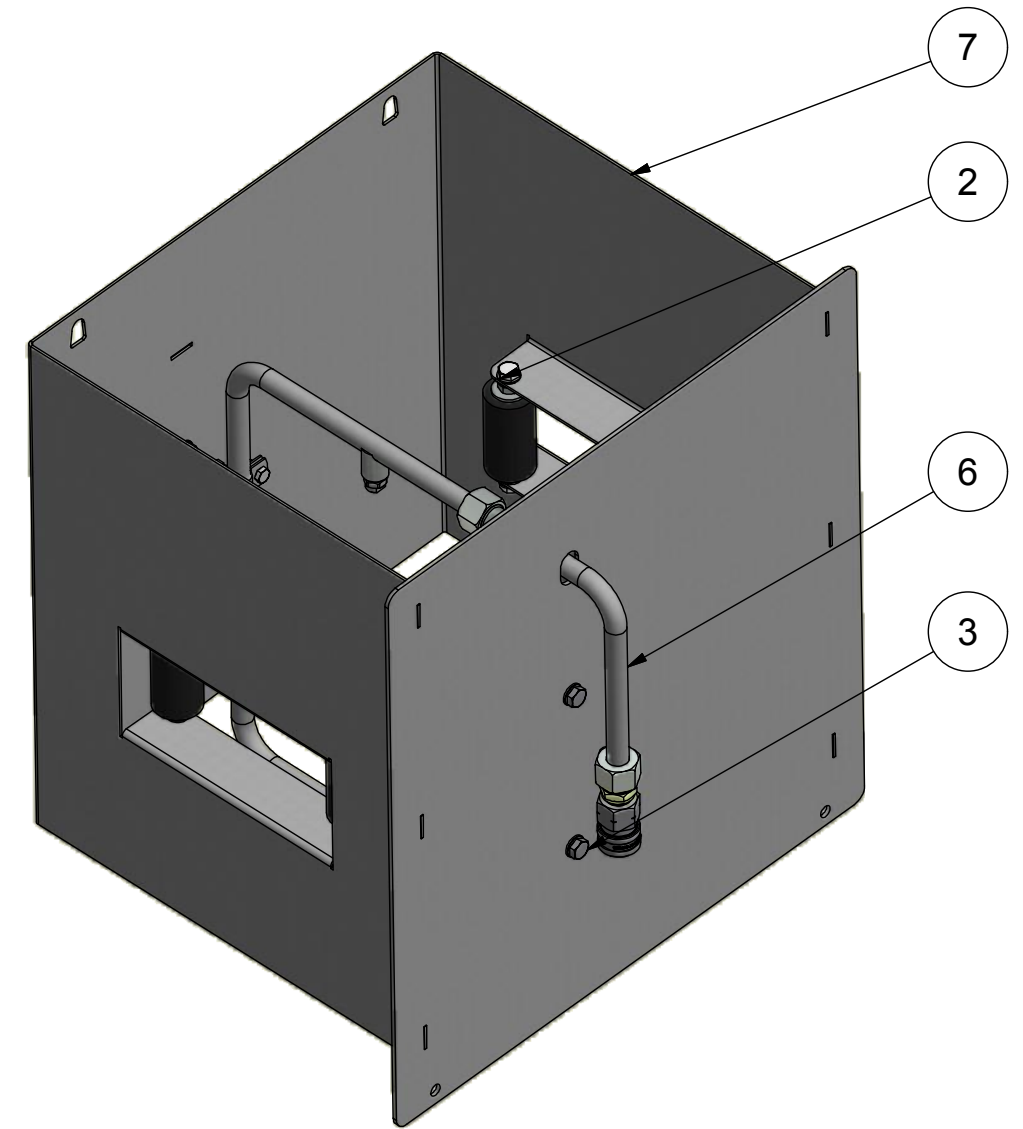
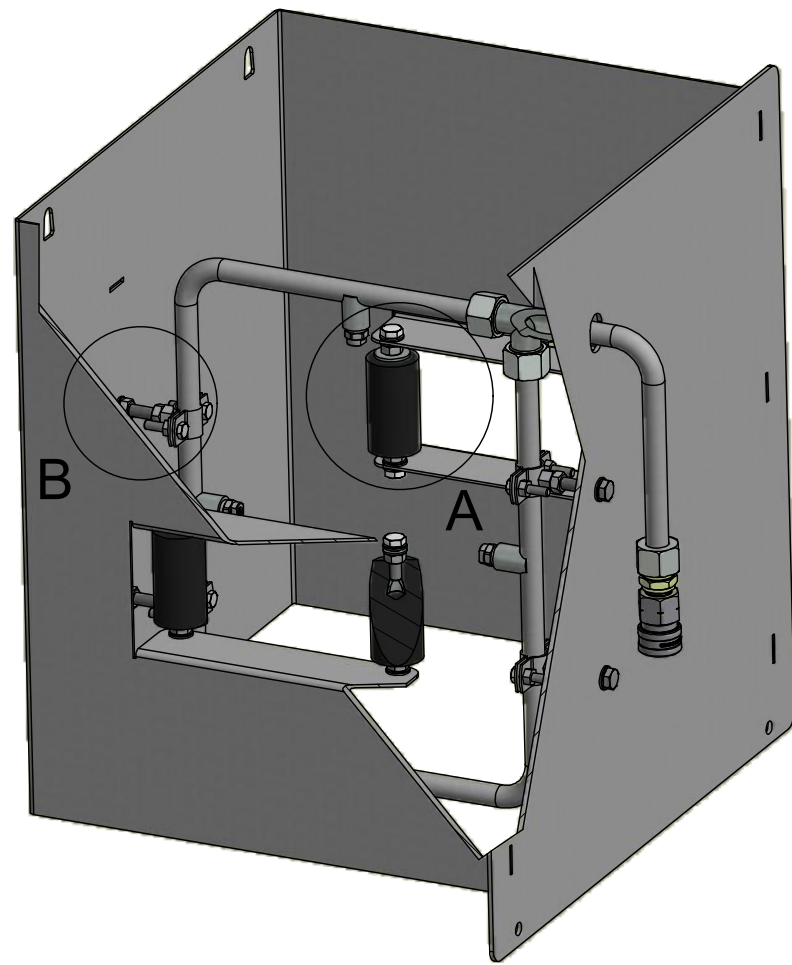
<small>This document is strictly confidential and must not be accounted for copied or disclosed to any third person.</small> HEDENSTED GRUPPEN A/S		Scale:	Not specified tolerance according to:	Sheet size:
		1 : 4	DS/ISO 2768-m	A3
Part No.:		Surface properties:		Sheet:
125271		No		1 / 1
Description 1:		Material:		
Casing for pinning board				
Description 2:				
Multi-washer 2 in 1				

B (1:2)

A (1:2)



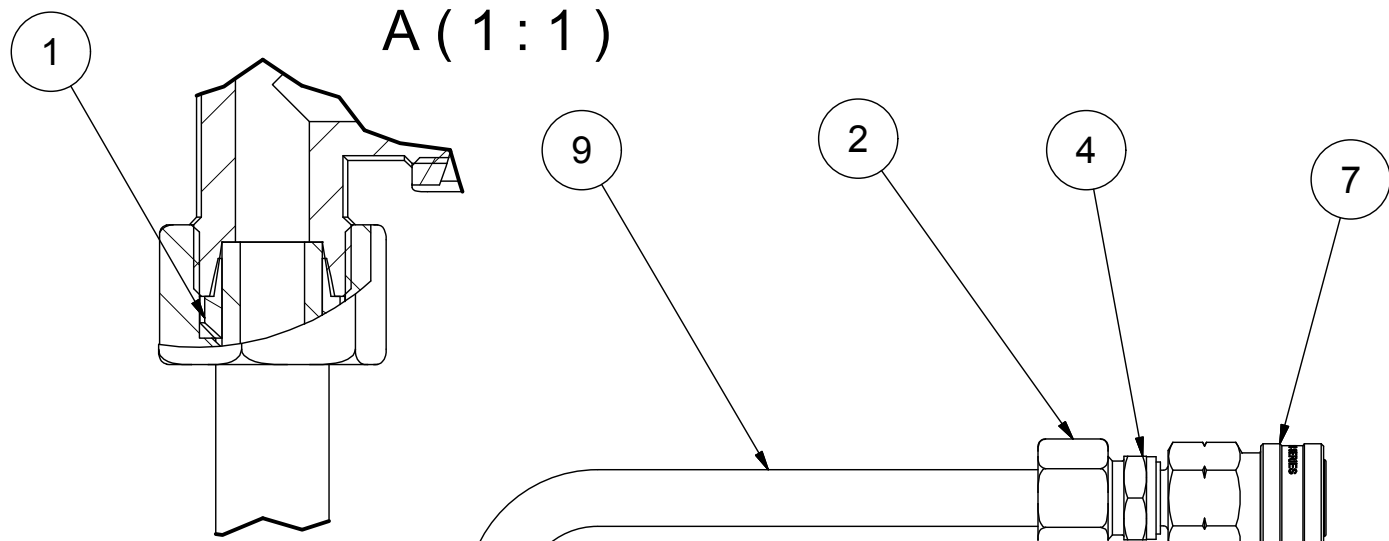
PARTS LIST			
ITEM	QTY	PART NUMBER	DESCRIPTION
1	16	12608000	Nut M8 A2
2	8	12908025	Hexagon bolt M8x25 A2
3	4	12908040	Hexagon bolt M8x40 A2
4	24	81808000	Washer M8 inox A2
5	4	M100992	Roll for board cpl
6	1	M100997	High pressure spray unit
7	1	M101063	Casing for board
8	4	M101064	3/8" clamp M8 stainless
9	8	83508000	Washer ø8x24x2 A2



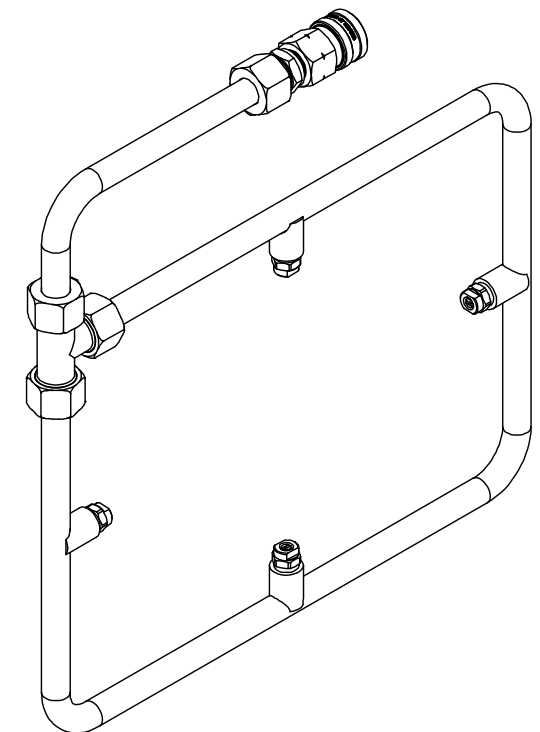
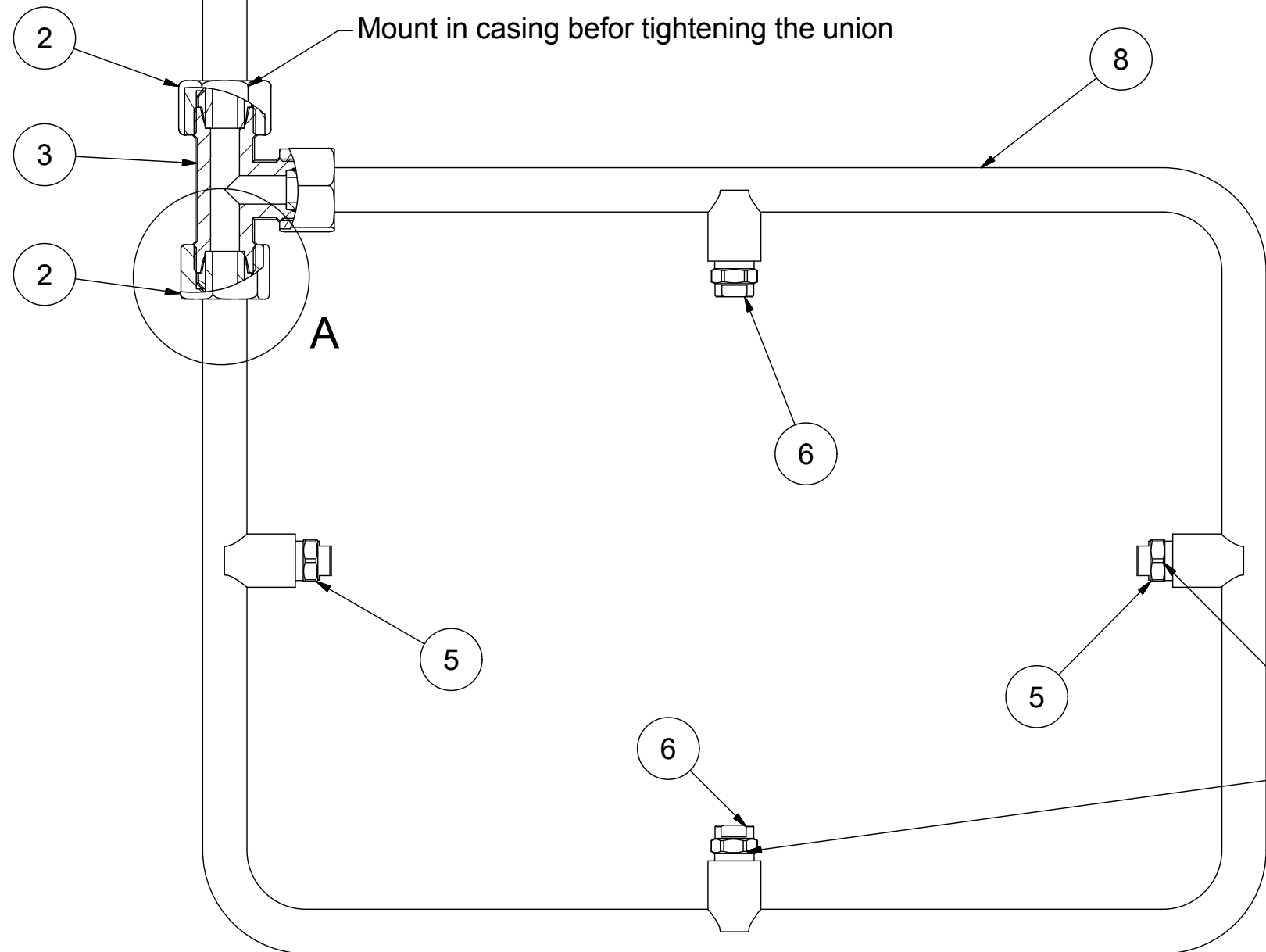
Revision:	Approved	Date:	Revision Description
1	HG	28-09-2015	Revision changed to numeric

Break all edges

 HEDENSTED GRUPPEN A/S	Scale:	Not specified tolerance according to:	Sheet size:
	1 : 5	DS/ISO 2768-m	A3
 Surface properties:	Material:	No	
		Sheet: 1 / 1	
Part No.:	M100991		
Description 1:	Board casing cpl		
Description 2:	Multi-washer 2 in 1		




PARTS LIST			
ITEM	QTY	PART NUMBER	DESCRIPTION
1	4	424118	Cutting ring 15L
2	4	424122	Union 15L M22x1,5
3	1	424162	Equal tee 15-L M22x1,5
4	1	477117	Male stud 15L 3/8"
5	2	M100998	High pressure nozzles 6002 300b
6	2	M100999	High - Flat fan nozzles 30-02
7	1	M101000	3/8" High pres coupling FEMALE
8	1	M11051	Pipe for spray with bush
9	1	M11052	Pipe out for spray unit



Mount all nozzles in one direction to get flat fan of water in same direction as the pipes.

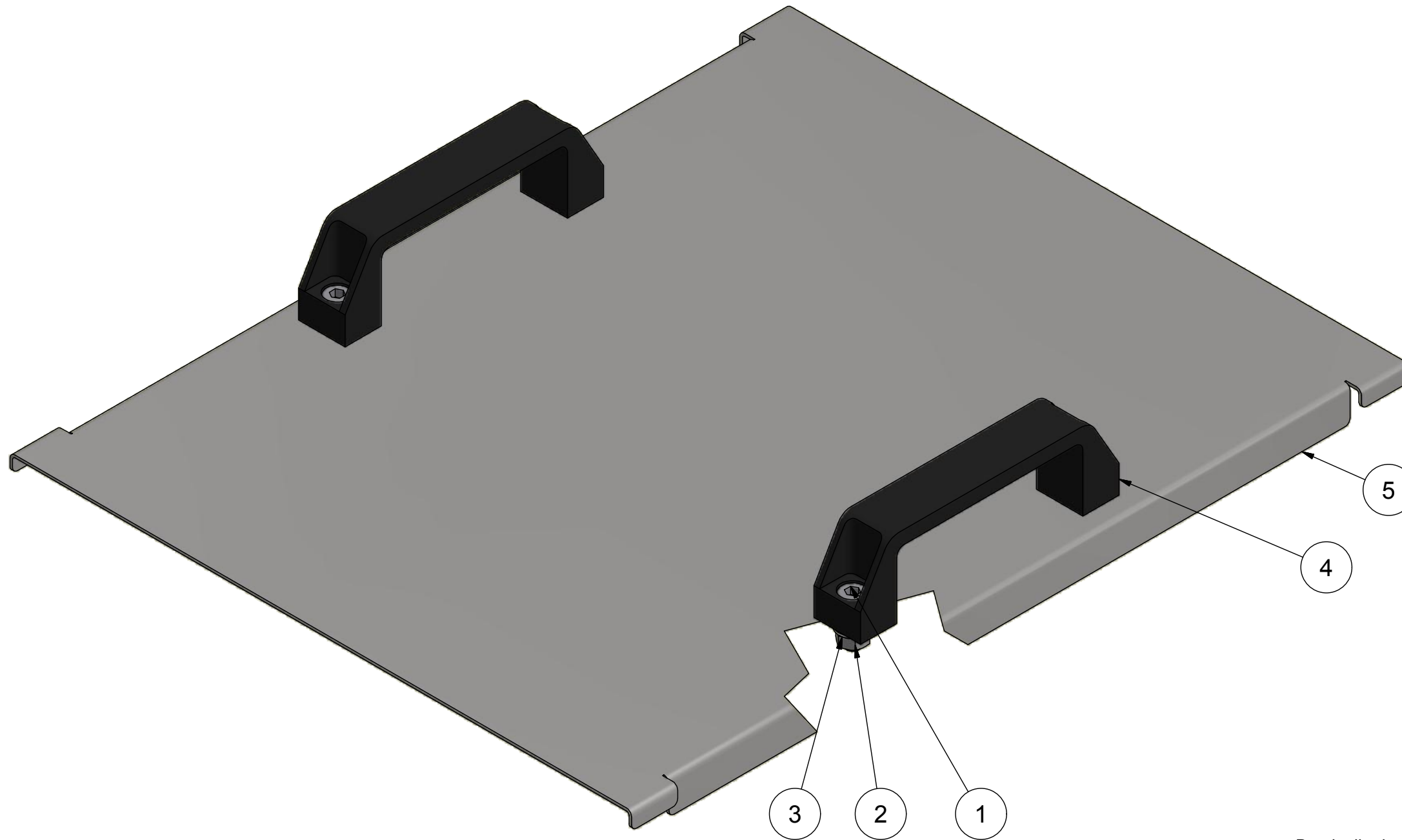
Revision:	Approved	Date:	Revision Description
1	HG	27/09/2015	Revision changed to numeric

Break all edges


<small>This document is strictly confidential and must not be accounted for copied or disclosed to any third person.</small> HEDENSTED GRUPPEN A/S	 HEDENSTED GRUPPEN	Scale: 1 : 2	Not specified tolerance according to: DS/ISO 2768-m	Sheet size: A3
	Part No.: M100997	Material:	Surface properties: No	Sheet: 1 / 1
Description 1: High pressure spray unit		Description 2: Multi-Washer 2 in 1		

PARTS LIST

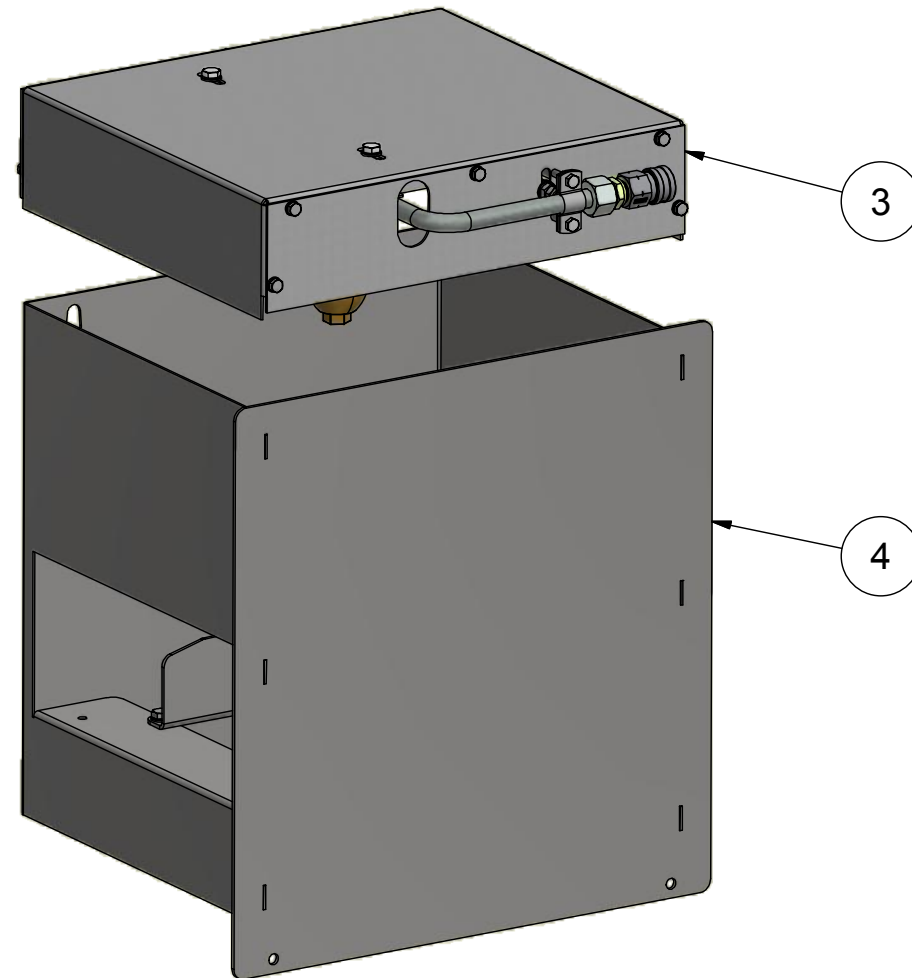
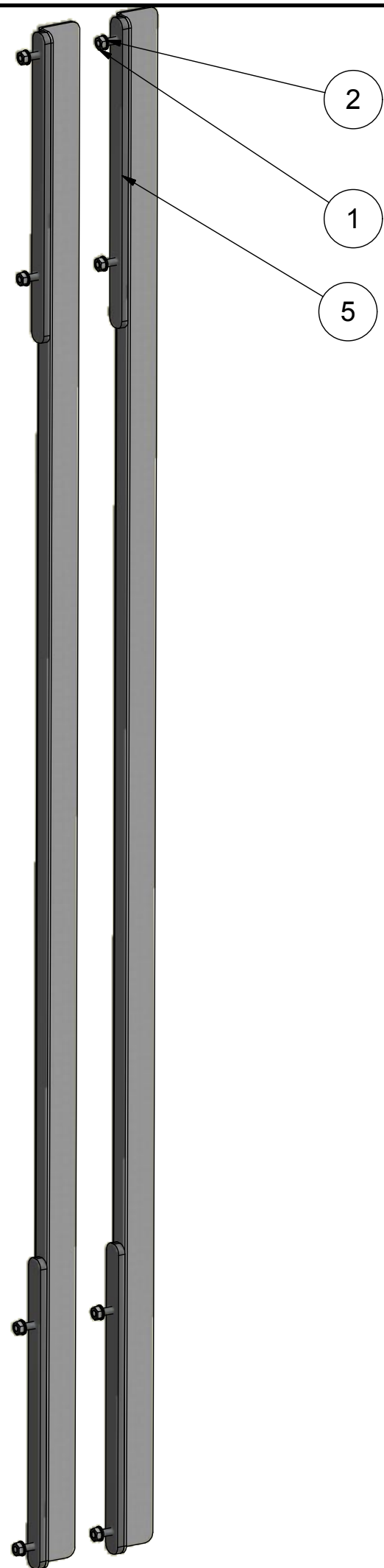
ITEM	QTY	PART NUMBER	DESCRIPTION
1	4	10708020	Hexagon cylinder head M8 x 20 A2
2	4	12608000	Nut M8 A2
3	4	81808000	Washer M8 inox A2
4	2	M101061	Handle Ganter M.443/150 AE-V0
5	1	M11023	Loose lid



Break all edges

This document is strictly confidential and must not be accounted for copied or disclosed to any third person. HEDENSTED GRUPPEN A/S	 HEDENSTED GRUPPEN	Scale: 1 : 2	Not specified tolerance according to: DS/ISO 2768-m	Sheet size: A3
	Part No.: M101043	Material:	Surface properties: No	Sheet: 1 / 1
Description 1: Loose lid cpl		Description 2: Multi-Washer 2 in 1		

Revision:	Approved	Date:	Revision Description
1	HG	28-09-2015	Revision changed to numeric

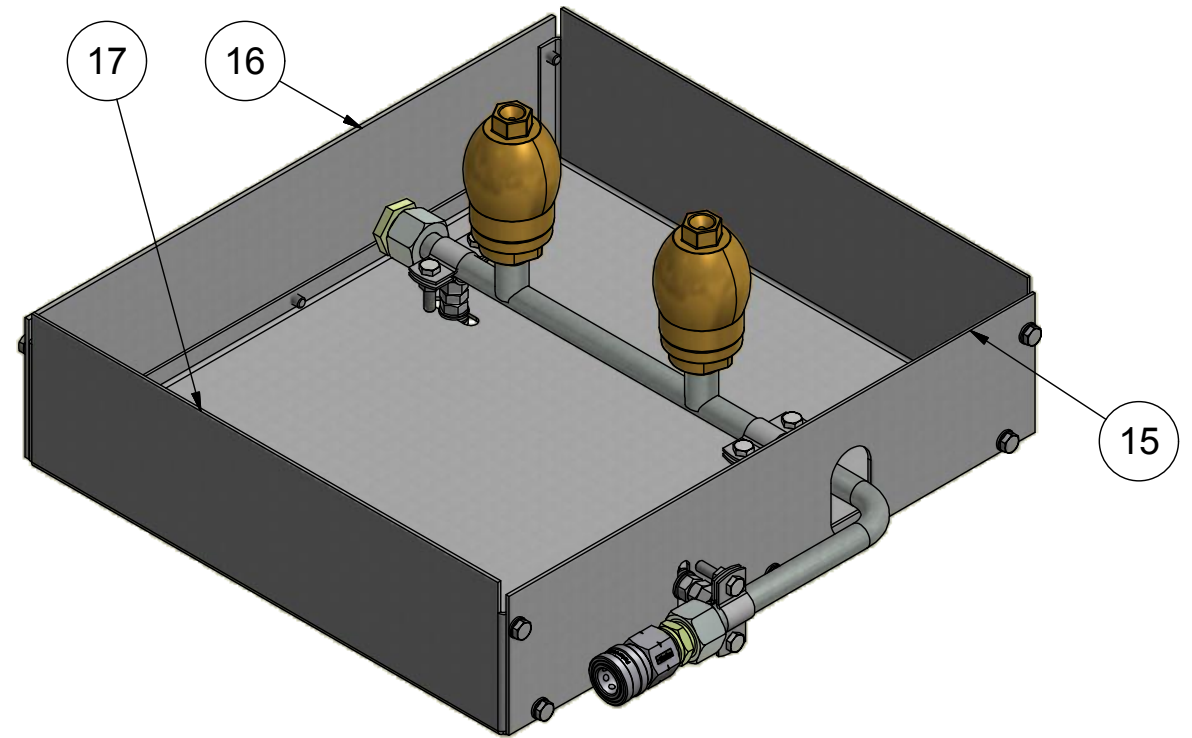
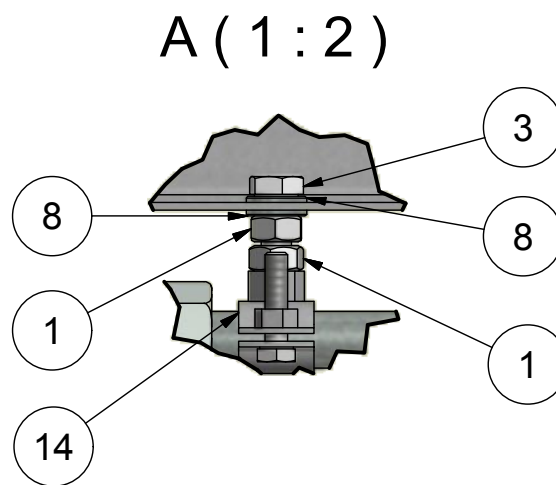
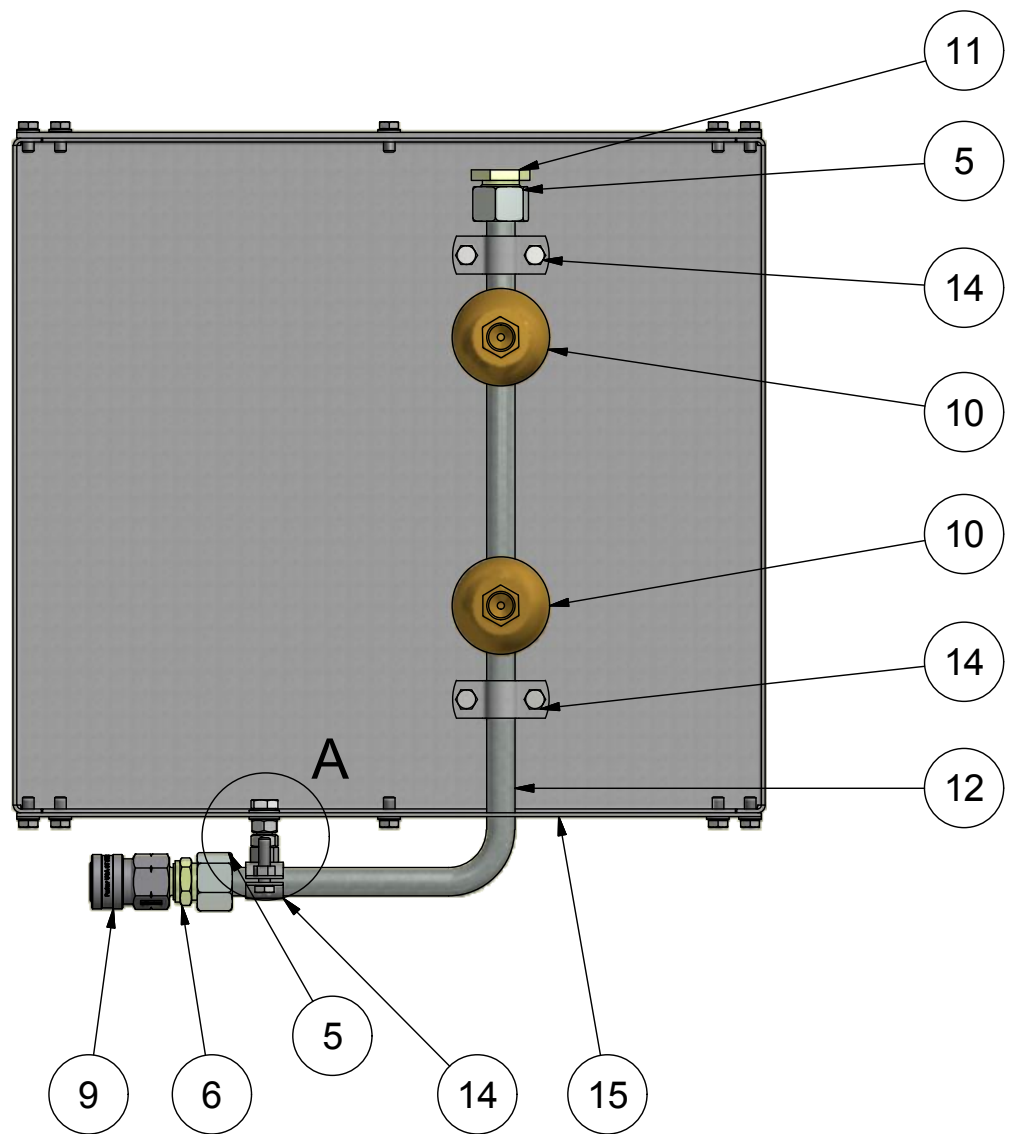
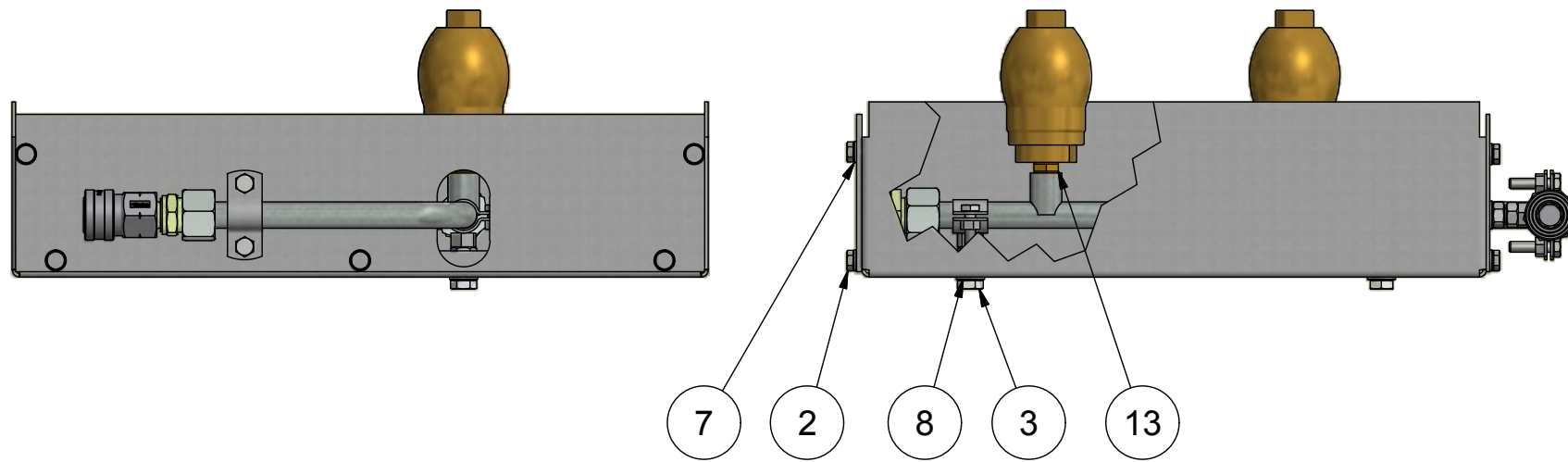


PARTS LIST			
ITEM	QTY	PART NUMBER	DESCRIPTION
1	8	12608000	Nut M8 A2
2	8	81808000	Washer M8 A2
3	1	M100990	Turbo nozzel unit cpl
4	1	M101040	Casing for net cpl
5	2	M101922	Long support for net cpl

Break all edges


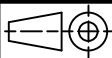
<small>This document is strictly confidential and must not be accounted for copied or disclosed to any third person.</small> HEDENSTED GRUPPEN A/S	 HEDENSTED GRUPPEN	Scale:	Not specified tolerance according to:	Sheet size:
		1 : 6	DS/ISO 2768-m	A3
Part No.:	Material:		Surface properties:	Sheet:
			No	1 / 1
Part No.:		125272		
Description 1:		Casing for kid netting		
Description 2:		Multi washer 2 in 1		

Revision:	Approved	Date:	Revision Description
1	SK	16-02-2016	Changed guide rails

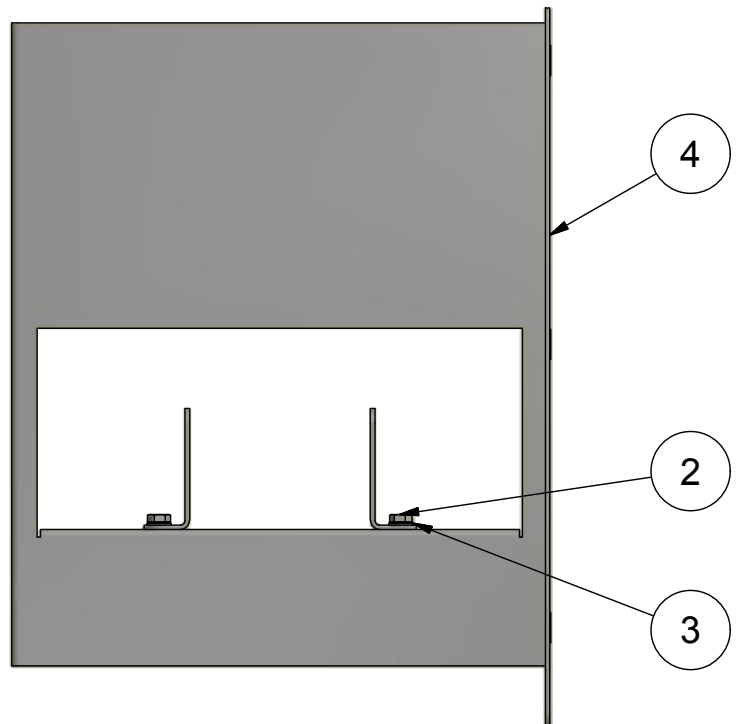
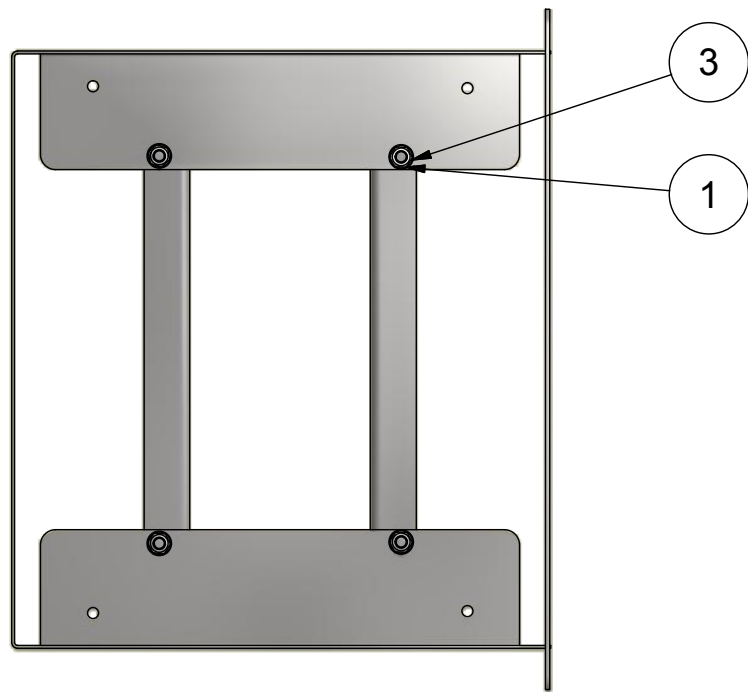


PARTS LIST			
ITEM	QTY	PART NUMBER	DESCRIPTION
1	6	12608000	Nut M8 A2
2	10	12906012	Hexagon bolt M6x12 A2
3	3	12908025	Hexagon bolt M8x25 A2
4	2	424118	Cutting ring 15L
5	2	424122	Union 15L M22x1,5
6	1	477117	Male stud 15L 3/8"
7	10	881806000	Washer M6 A2
8	6	81808000	Washer M8 inox A2
9	1	M101000	3/8" High pres coupling FEMALE
10	2	M101009	Turbo nozzel for Multi-washer
11	1	M101015	Male stud 15L Plug
12	1	M101016	Pipe for turbo nozzel cpl
13	2	M101018	Male stud 1/4" - 1/4"
14	3	M101064	3/8" clamp M8 stainless
15	1	M11040	Front plate for turbo nozzle
16	1	M11041	Back plate for turbo nozzle
17	1	M11042	Casing for turbo nozzle

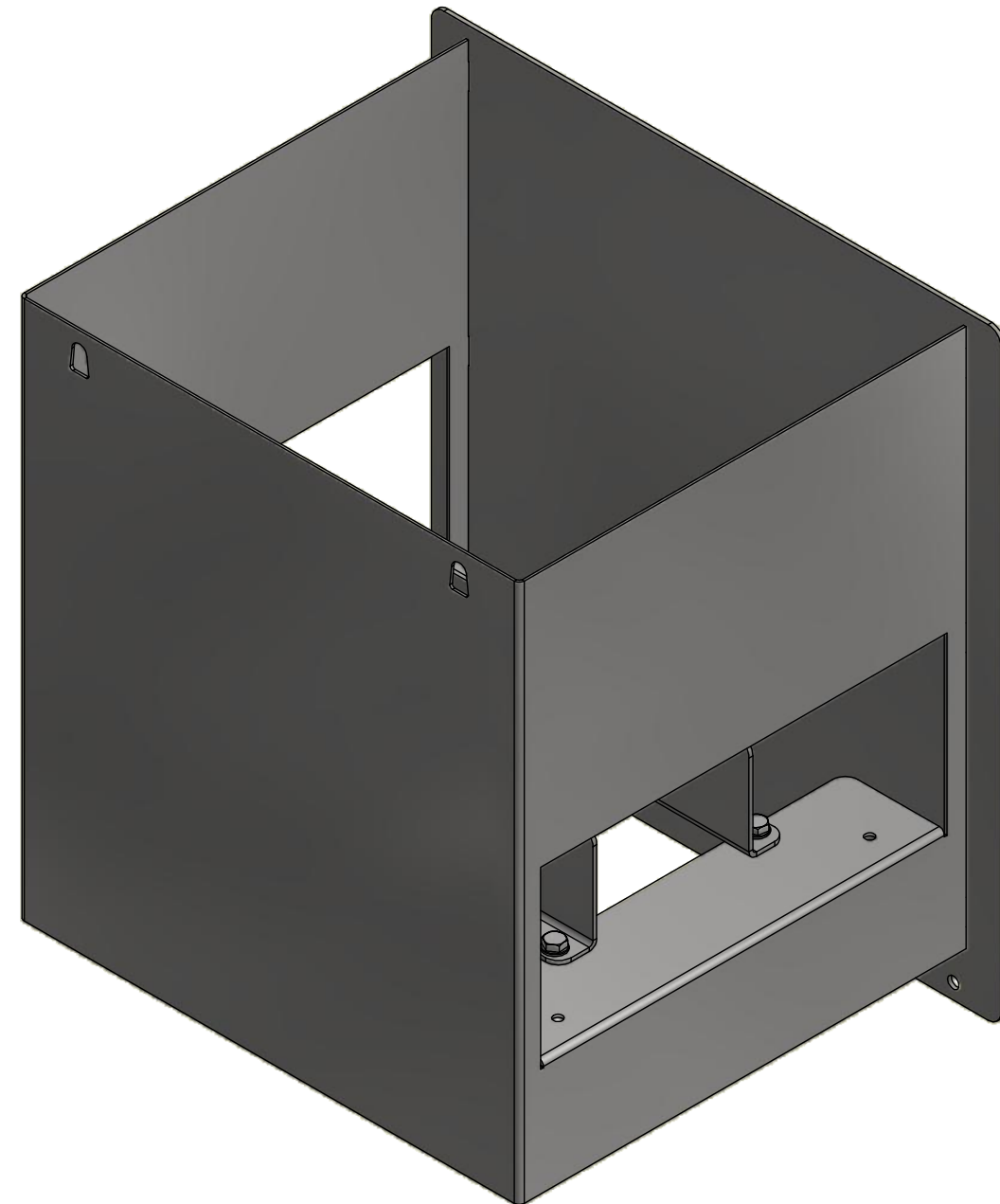
Break all edges

The documents strictly confidential and must not be accounted by copied or disclosed to any third person. HEDENSTED GRUPPEN A/S		Scale: 1:4	Not specified tolerance according to: DS/ISO 2768-m	Sheet size: A3
	HEDENSTED GRUPPEN		Surface properties: No	Sheet: 1/1
	Part No.: M100990	Material:		
	Description 1: Turbo nozzel unit cpl			
Description 2: Multi-washer 2 in 1				


Revision:	Approved	Date:	Revision Description
1	HG	28-09-2015	Revision changed to numeric



PARTS LIST			
ITEM	QTY	PART NUMBER	DESCRIPTION
1	4	12608000	Nut M8 A2
2	4	12908020	Hexagon bolt M8x20 A2
3	8	81808000	Washer M8 inox A2
4	1	M101062	casing for net
8	1	M11810	Support for net wash casing
9	1	M11811	Support for net wash casing



Break all edges

The documents strictly confidential and must not be accounted by copied or disclosed to any third person. HEDENSTED GRUPPEN A/S	 HEDENSTED GRUPPEN	Scale: 1 : 5	Not specified tolerance according to: DS/ISO 2768-m	Sheet size: A3
	Part No.: M101040	Material:	Surface properties: No	Sheet: 1 / 1
	Description 1: Casing for net cpl			
	Description 2: Multi-washer 2 in 1			

Revision:	Approved	Date:	Revision Description
1	HG	11/02/2016	Revision changed to numeric

Customer: Hedensted Gruppen A/S

Project: Multi Cleaner 2 in 1

Hedensted Gruppen A/S
Vejlevej 15a
DK-8722 Hedensted
TLF: 75 89 12 44
FAX: 75 89 11 80

VS AUTOMATIC

Ormhøjgårdvej 15
DK-8700 Horsens Tlf. 75641899

Project title: Multi Cleaner 2 in 1

Customer: Hedensted Gruppen A/S

Last printed: 09-06-2015

Last checked: 18-02-2015 07:10:36

14:41:52

Filename: Multi cleaner 2015-1

Case no.: Multi clea

Page: A

of 1

Information

WIRE IDENTIFICATION:

The wire is identified with the terminal number of the component.

WIRE COLOUR:

MAIN CIRCUIT: Phase Black
 Neutral Light blue

DC CONTROL CIRCUIT: 24VDC Dark blue
 0VDC White

THE FOLLOWING COLOUR ID IS TAKEN FROM DS/EN 60757

BK BLACK
BN BROWN
RD RD
OG ORANGE
YE YELLOW
GN GREEN
BU BLUE
VT VIOLET
GY GREY
WH WHITE
PK PINK

ALL SYMBOLS USED IS TAKEN FROM DS/EN 166

VS AUTOMATIC

Ormhøjgårdvej 15
DK-8700 Horsens Tlf. 75641899

Project: Multi Cleaner 2 in 1

Customer: Hedensted Gruppen A/S

Last printed: 09-06-2015

14:41:52

Last checked: 18-02-2015 07:16:10

Case no.: Multi cleaner 2015-1

Filename: Multi clea

Page: B of 4

DECLARATION OF INCORPORATION

Directive 2006/42/EF, Annex II, B

Manufacturer

Firm: VS AUTOMATIC A/S
Address: Ormhøjgårdvej 15
DK-8700 Horsens
Phone: +45 75 64 18 99
Fax: +45 75 64 18 09
Email: info@vs-automatic.dk

Herewith declares that

Component: Controlpanel
Type: Multi cleaner 2015-1 Year of manufator: 2015

is intended to be incorporated into machinery or to be assembled with other machinery to constitute machinery covered by Directive 2006/42/EC

does therefor not in every respect comply with the provisions of this directive

does comply with the provisions of the following other EC directives

EC directives

EC machine directive 89/392/EEC, as per 91/386/EEC, 93/68/EEC, 93/44/EEC

EC low-voltage directives 73/23/EEC, as per 93/68/EEC, 93/465/EEC

EC EMC directive 89/336/EEC as per 92/31/EEC, 93/68/EEC, 93/465/EEC

Harmonized standards

EN60204-1 Safety of Machinery Electrical Equipment of Machines

EN60439-1 Low-voltage switchgear and controlgear assemblies part 1: Type-tested and partially type-tested assemblies

And furthermore declares that it is not allowed to put the machinery into service until the machinery into which it is to be incorporated or of which it is to be a component has been found and declared to be in conformity with the provisions of Directive 98/37/EC and with national implementation legislation i.e. as a whole, including the machinery referred to in this declaration

Machine: Multi Cleaner 2 in 1
Machine No.: 125270
Type: Year of manufator: 2015
Manufacturer: Hedensted Gruppen A/S

Identification of signature:

Firm: VS AUTOMATIC A/S
Address: Ormhøjgårdvej 15
DK-8700 Horsens

Date: Signature

09-06-2015

Torben Steffensen

VS AUTOMATIC

Ormhøjgårdvej 15
DK-8700 Horsens
Tlf. 75641899

Type: Hedensted Gruppen A/S

Project: Multi Cleaner 2 in 1

Printed: 09-06-2015 14:41:52

Changed: 18-02-2015 07:16:14

File: Multi cleaner 2015-1

Case no.: Multi clea

Page: C of 1

