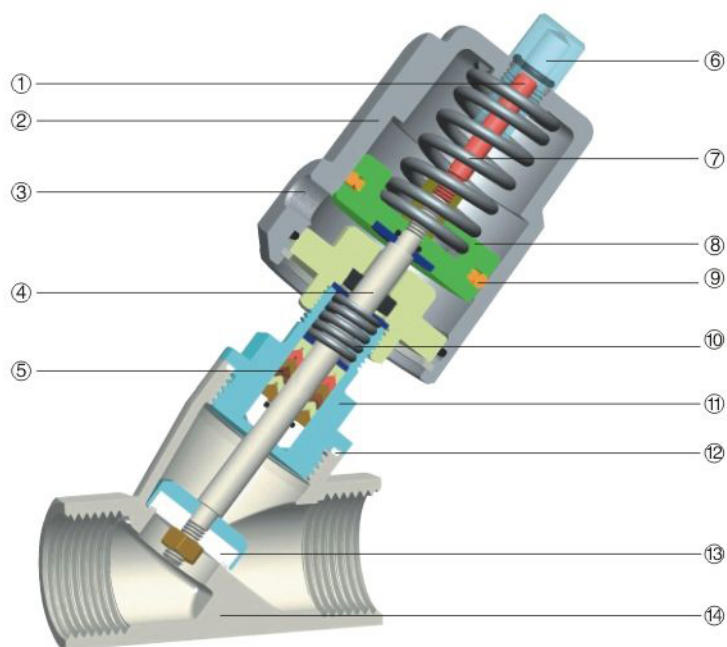


100 Series Pneumatic Angle Seat Valve



- ① 指示杆 Indication Rod (nylon)
- ② 气缸 Actuator (CF8)
- ③ 进气孔 Pilot Port (1/8")
- ④ 阀杆 Stem (AISI316/304)
- ⑤ 阀杆密封组件 Stem Seal (PTFE)
- ⑥ 视窗 Cap (PC)
- ⑦ 弹簧 Spring (Steel 65Mn)
- ⑧ 活塞 Piston (Alu.alloy)
- ⑨ 活塞环 Piston Seal (Viton)
- ⑩ 密封弹簧 Seal Spring (AISI304)
- ⑪ 连接 Connecting Piece (CF8M/CF8)
- ⑫ 阀体密封垫 Body Seal (PTFE)
- ⑬ 阀芯密封垫 Seat (PTFE)
- ⑭ 阀体 Body (CF8M/CF8)

Function Principle

Valve is closed (open) with spring force, when the piston is actuated by compressed air, valve is open (closed). For the double acting type, the valve is open and closed by compressed air.

Applications

- Beer & Drinks Filling Machinery
- Textile Printing & Dyeing
- Gas Industry
- Pharmacy & Medical Equipment
- Chemical Industry
- Disinfection
- Frothing Equipment
- Water/Sewage Disposal

Advantages

- Large Flux, low Resistance, No Water-hammer
- Y-type Shape Enlarged The Flowing Section, which Could Raise The Flux By 30% And Make Flow More Smooth.
- Super Long Life
- Which Help The Stem Adjust And Lubricate Itself Automatically.
- The Cylinder Material Is Stainless Steel. lubricating Automatically, 360° Rolling Freely.

技术参数 Technical Data

管道压力 Fluid Pressure	Max 1.6MPa(232psi)
控制压力 Control Pressure	0.3-0.8MPa (43.5-116psi)
控制介质 Control Fluid	中性气体或空气 Neutral gas, Air
阀体材料 Body Material	CF8M/CF8
密封材料 Seals Material	PTFE
气缸材料 Actuator Material	CF8
气缸尺寸 Actuator Size	40mm, 50mm, 63mm, 90mm, 125mm
适用介质 Applicable Fluid	水, 酒精, 油, 燃料, 蒸汽, 中性气体或液体, 有机溶剂, 酸碱溶液 Water, Alcohol, Oil, Fuel, Steam, Neutral gas or liquid, Organic solvent, Acid and lye
介质粘度 Fluid Viscosity	Max 600mm ² /s
介质温度 Fluid Temperature	-10°C—+200°C
环境温度 Ambient Temperature	-10°C—+80°C
控制形式 Control Type	标准常闭 常开, 双作用 Normally closed, Normally open, Double acting
连接形式 Connection	螺纹式, 焊接式, 法兰式, 快装式 Threaded(BSP, NPT), Welded, Flanged, Tri-clamp

△ Pressure Data Sheet

Normally Open(NO)-Enter Above Seat

Suitable for long time valve open demand; Taking off the silencer, valve could be changed to double acting-NO type.

规格 size	接口 Thread end	内孔 Orifice(mm)	流量值 Kv(m ³ /h)	执行器 Actuator(mm)	压差范围 P(MPa)	控制压力 Control pressure(MPa)
DN10	G3/8"	13	3.8	50	0-1.6	≥ 0.3
DN15	G1/2"	13	4.7	50	0-1.6	≥ 0.3
DN20	G3/4"	18	9.5	50	0-1.2	≥ 0.3
DN25	G1"	24	18.1	63	0-1.6	≥ 0.45
DN32	G1 1/4"	31	23.1	63	0-1.4	≥ 0.45
DN40	G1 1/2"	35	32.9	63	0-1.4	≥ 0.45
DN50	G2"	45	52.8	63	0-0.6	≥ 0.45

