



Swing type Check Valve, PN16, Screwed end

Fig No. SC-200 Full Bore
1/4" ~ 3" DN8 ~ DN80



Features :

Investment casting component
 Screwed bonnet, Solid wedge disc
 For general chemical and industrial application

Standard Compliance :

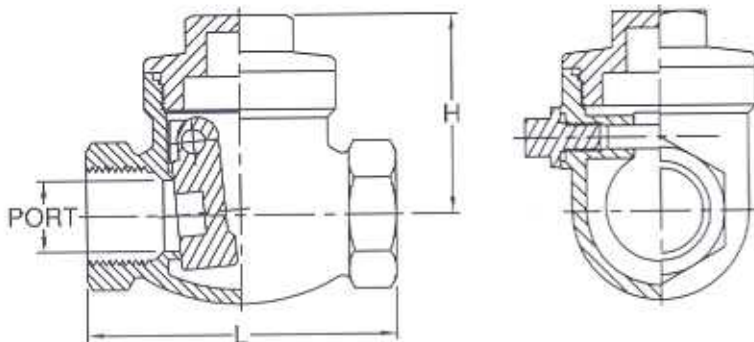
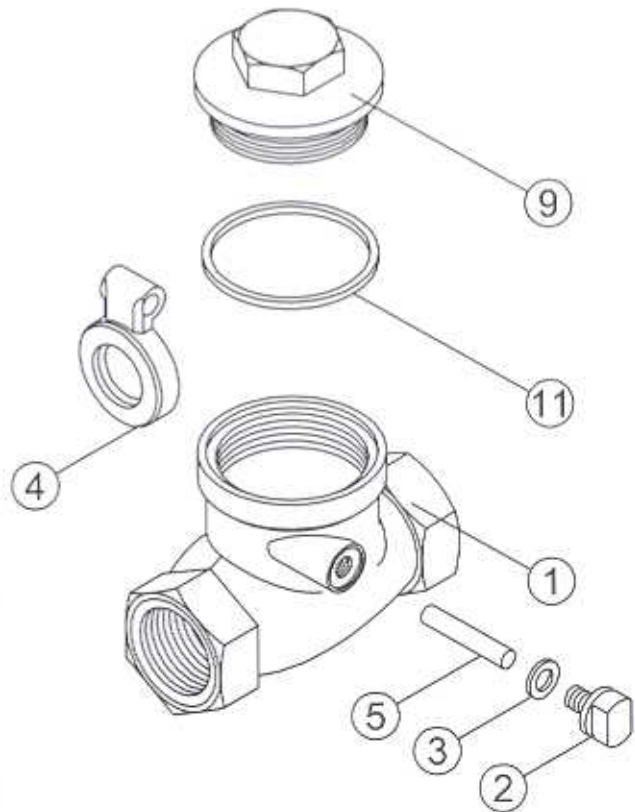
Body wall thickness : EN 12516-1/3
 Threaded end : BS 21 (BSP)
 BSPT
 ISO 228-1
 DIN 2999
 ISO 7-1Rp
 Pressure testing : EN12266
 Body material : EN 1503-1

Specification :

End connection : Threaded end
 Working pressure : 16 Bar (CWP)
 Temperature : -20 ~ 180° C
 Operating pressure : 0.15kg/cm²

MATERIALS LIST

NO.	PART NAME	MATERIAL
1	BODY	1.4408/EN1503-1
2	PLUG	SS316
3	PLUG SEAL	PTFE.
4	DISC	ASTM A351Gr.CF8M
5	HANGER PIN	SS316
9	END CAP	1.4408/EN1503-1
11	BODY SEAL	PTFE.



DIMENSIONS

SIZE	PORT	L	H
DN8	1/4"	11.0	65.0
DN10	3/8"	15.0	65.0
DN15	1/2"	15.0	65.0
DN20	3/4"	20.0	80.0
DN25	1"	25.0	90.0
DN32	1-1/4"	32.0	105.0
DN40	1-1/2"	40.0	120.0
DN50	2"	50.0	140.0
DN65	2-1/2"	65.0	180.0
DN80	3"	80.0	200.0

unit:mm

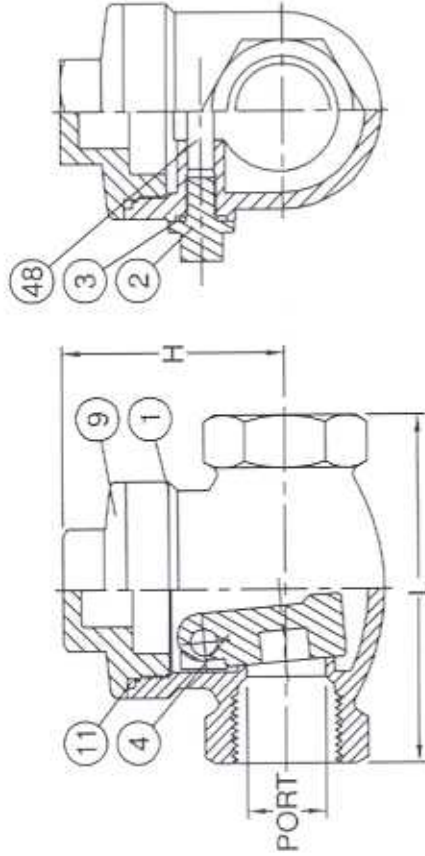
Fig No: SC-200

MATERIALS LIST

NO.	PART NAME	MATERIAL
1	BODY	1.4408 / EN1503-1
2	PLUG	SS316
3	PLUG SEAL	PTFE.
4	DISC	1.4408 / EN1503-1
9	END CAP	1.4408 / EN1503-1
11	BODY SEAL	PTFE.
48	HANGER PIN	SS316

DIMENSIONS

SIZE	unit:mm		
	PORT	L	H
DN8	1/4"	11	65
DN10	3/8"	15	65
DN15	1/2"	15	65
DN20	3/4"	20	80
DN25	1"	25	90
DN32	1-1/4"	32	105
DN40	1-1/2"	40	120
DN50	2"	50	140
DN65	2-1/2"	65	180
DN80	3"	80	200



CODE	S-008	APPROVED BY.	CHECK BY.	DRAWN BY.	DRAWING NO.	MATERIAL	UNIT	DESCRIPTION
		PRESTON	SHANA	POOLER	SC-200-S008	MATERIALS LIST	mm	STAINLESS STEEL SWING CHECK VALVE, THREADED END, PN 16
		DATE	12/19/2007	12/19/2007	REVISION	SCALE	FREE	