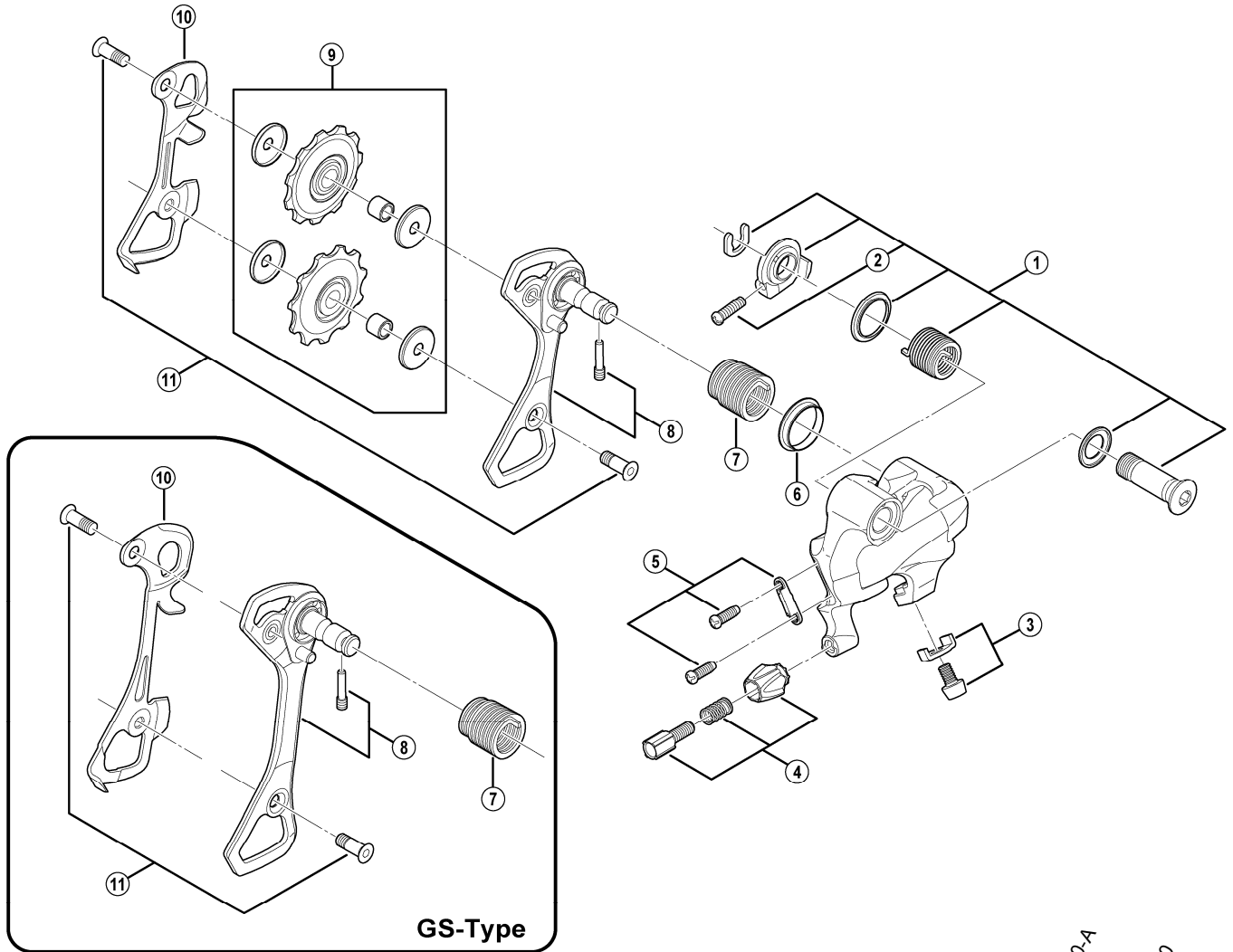


TIAGRA Rear Derailleur (10-speed)

**RD-4600 (SS) Short Cage**

**RD-4600 (GS) Long Cage**



RD-5700-A

RD-4500

ITEM NO.	SHIMANO CODE NO.	DESCRIPTION	INTERCHANGEABILITY		
1	Y5XN98010	B-Axle Assembly	B		
2	Y556250B0	B-Tension Adjusting Screw (M4 x 13.5)	B		
3	Y5XH98020	Cable Fixing Bolt (M5 x 8.5) & Plate	A		
4	Y5XH98030	Cable Adjusting Bolt Unit	A	A	
5	Y5X998020	Stroke Adjusting Screws (M4 x 11.5) & Plate	A	B	
6	Y5UC14000	P-Seal Ring	A	A	
7	Y5VG14000	P-Tension Spring (SS-type)	A		
	Y5VG15000	P-Tension Spring (GS-type)	A		
8	Y5XN98020	Outer Plate Assembly (SS-type)			
	Y5XN98030	Outer Plate Assembly (GS-type)			
* 9	Y5XH98120	Tension & Guide Pulley Set	A		
10	Y5XN08000	Inner Plate (SS-type)			
	Y5XN09000	Inner Plate (GS-type)			
11	Y5V598140	Pulley Bolt 12.5mm (2 pcs.)	A		

A: Same parts.

B: Parts are usable, but differ in materials, appearance, finish, size, etc.

Absence of mark indicates non-interchangeability.

Oct.-2011-3151C

© Shimano Inc. A

Specifications are subject to change without notice.

**SHIMANO**