

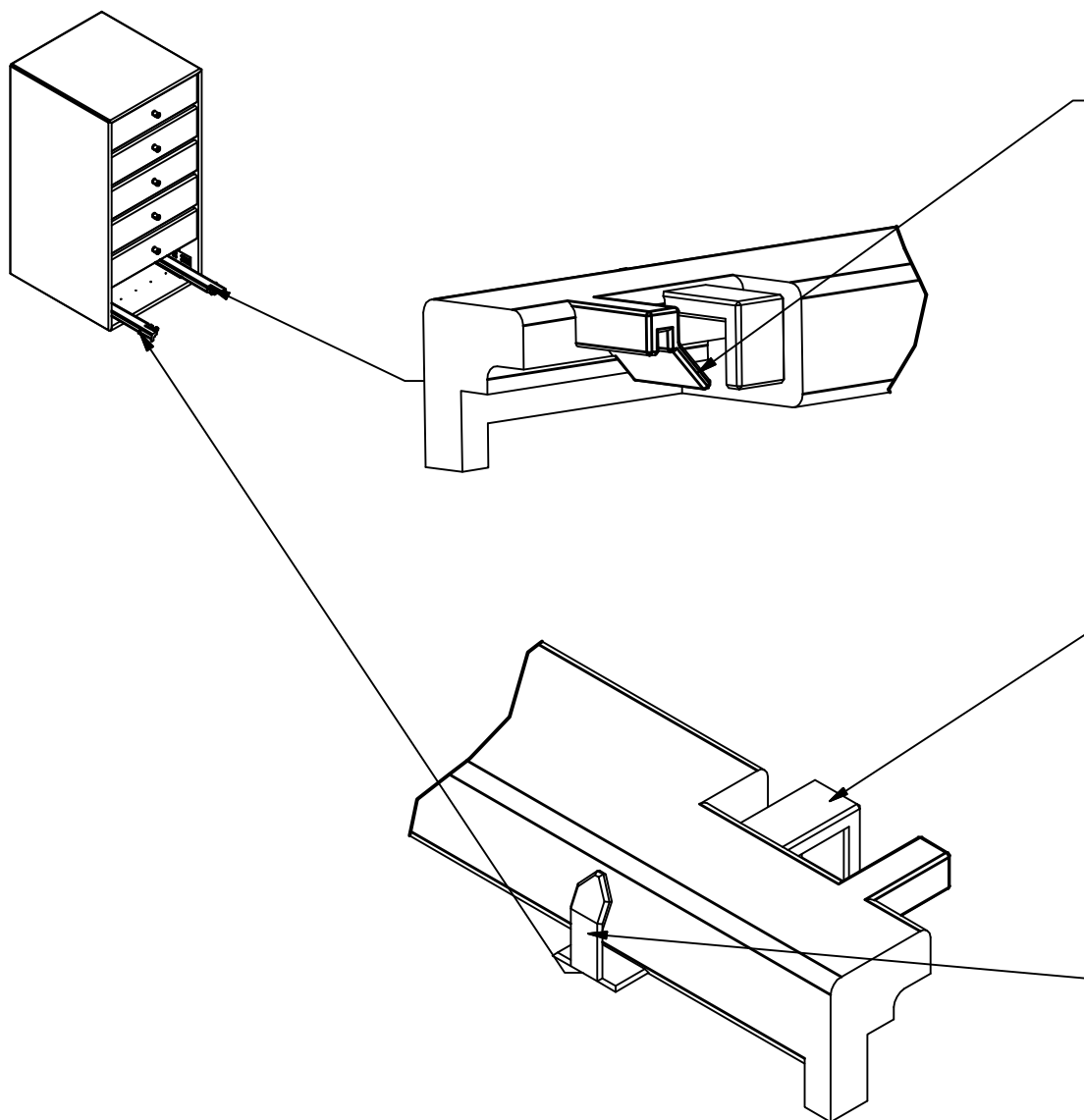
Op-/nedjustring af låge i korpus.  
De to skruer, der holder beslaget, løsnes  
hvis lågen skal hæves eller sænkes.

Up/down adjustmen of door in corpus.  
The two screws holding the bracket  
are loosened to adjust the door up or down.

Sideværs justering.  
Skrue den skrue, der sidder midt på  
beslaget tættest på lågen.  
Skrue mod højre, og lågen justeres  
mod højre. Skru mod venstre, og  
lågen justeres mod venstre

Sideways adjustment.  
Unscrew the screw in the center  
of the bracket closest to the door.  
Turn to the right and the door is adjusted  
to the right or turn to the left and the  
door is adjusted to the left.

## Justering af skuffe / Adjustment of drawer



Op-/nedjustring af skuffe i korpus.  
Træk første pal, tættest på skuffe-  
fronten, frem for justering.

Up/down adjustment of drawer in corpus.  
Pull the first pin closest to drawer front  
forwards in order to adjust the drawer.

Sideværts justering af skuffe i korpus.  
Tap nummer to fra skuffefronten hives ud  
for afmontering af skuffe på begge skinner.

Sideways adjustment of drawer in corpus.  
Second pin from drawer front is pulled  
out before re-mowing drawer - on both rails.

Ved brug af en tang bøjes metal tappen for  
justering sideværts.

By using a plier, bent the metal tap for  
sideways adjustment.