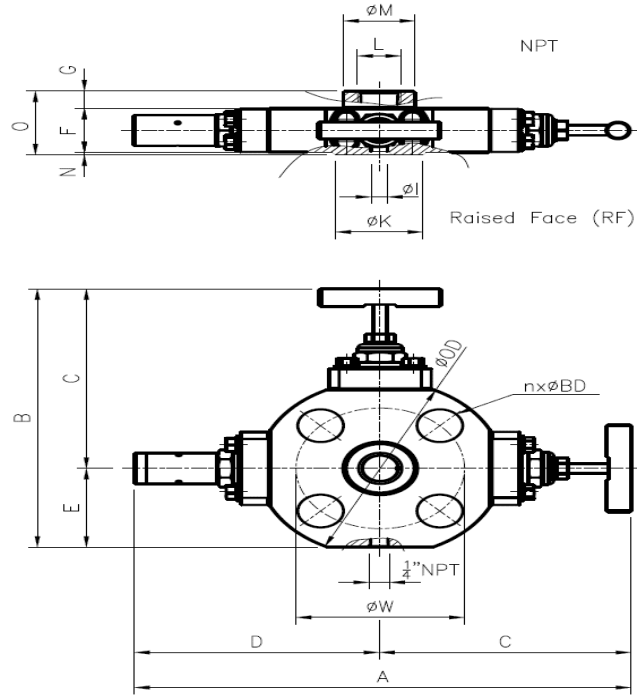


Please see valve dimensions below.  
(ANSI Class)



ANSI		Class #150																		Class #150																			
Dimension		A		B		C		D		E		F		G		H		$\phi I$		J		$\phi K$		L		M		N		O		$\phi OD$		$\phi W$		n		$\phi BD$	
		[inch]	[mm]	[inch]	[mm]	[inch]	[mm]	[inch]	[mm]	[inch]	[mm]	[inch]	[mm]	[inch]	[mm]	[inch]	[mm]	[inch]	[mm]	[inch]	[mm]	[inch]	[mm]	[inch]	[mm]	[inch]	[mm]	[inch]	[mm]	[inch]	[mm]	[inch]	[mm]	[inch]	[mm]	[inch]	[mm]		
1/2"	DN15	8.66	220	6.02	153	4.37	111	4.29	109	1.65	42	1.19	30.2	0.47	11.9			0.31	8			1.69	42.9	1/2"NPT	1.38	35.1	0.06	1.6	1.72	43.7	3.88	98.5	2.75	69.9	4	0.62	15.7		
3/4"	DN20	8.66	220	6.02	153	4.37	111	4.29	109	1.65	42	1.19	30.2	0.47	11.9			0.31	8			1.69	42.9	1/2"NPT	1.38	35.1	0.06	1.6	1.72	43.7	3.88	98.5	2.75	69.9	4	0.62	15.7		
1"	DN25	9.09	231	6.46	164	4.61	117	4.49	114	1.89	48	1.19	30.2	0.47	11.9			0.31	8			2.00	50.8	1/2"NPT	1.38	35.1	0.06	1.6	1.72	43.7	4.25	108	3.12	79.3	4	0.62	15.7		
2"	DN50	10.98	279	8.35	212	5.55	141	5.43	138	2.83	72	1.19	30.2	0.47	11.9			0.31	8			3.62	91.9	1/2"NPT	1.38	35.1	0.06	1.6	1.72	43.7	6.00	152.5	4.74	120.3	4	0.75	19.1		

ANSI		Class #300																		Class #300																			
Dimension		A		B		C		D		E		F		G		H		$\phi I$		J		$\phi K$		L		M		N		O		$\phi OD$		$\phi W$		n		$\phi BD$	
		[inch]	[mm]	[inch]	[mm]	[inch]	[mm]	[inch]	[mm]	[inch]	[mm]	[inch]	[mm]	[inch]	[mm]	[inch]	[mm]	[inch]	[mm]	[inch]	[mm]	[inch]	[mm]	[inch]	[mm]	[inch]	[mm]	[inch]	[mm]	[inch]	[mm]	[inch]	[mm]	[inch]	[mm]	[inch]	[mm]		
1/2"	DN15	8.50	216	5.87	149	4.29	109	4.21	107	1.57	40	1.19	30.2	0.47	11.9			0.31	8			1.37	34.9	1/2"NPT	1.38	35.1	0.06	1.6	1.72	43.7	3.74	95	2.62	66.6	4	0.62	15.7		
3/4"	DN20	9.49	241	6.89	175	4.80	122	4.69	119	2.09	53	1.19	30.2	0.47	11.9			0.31	8			1.69	42.9	1/2"NPT	1.38	35.1	0.06	1.6	1.72	43.7	4.63	117.5	3.25	82.6	4	0.75	19.1		
1"	DN25	9.76	248	7.13	181	4.92	125	4.84	123	2.20	56	1.19	30.2	0.47	11.9			0.31	8			2.00	50.8	1/2"NPT	1.38	35.1	0.06	1.6	1.72	43.7	4.88	124	3.50	88.9	4	0.75	19.1		
2"	DN50	11.50	292	8.86	225	5.86	148	5.71	145	3.07	78	1.19	30.2	0.47	11.9			0.31	8			3.62	91.9	1/2"NPT	1.38	35.1	0.06	1.6	1.72	43.7	6.50	165	5.00	127	8	0.75	19.1		