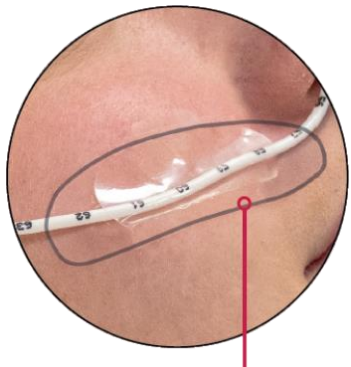


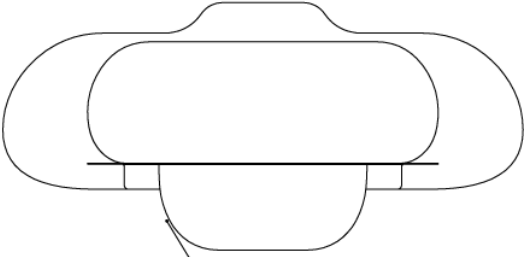
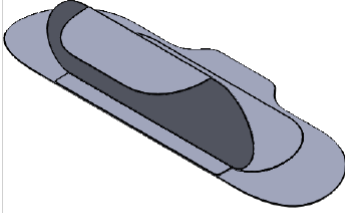
Ref Doc: PSD0041		No.: CG-X		Rev. 6	
Product:	Clear Grip		Application:	Enteral	
Technical Qualification					
Raw Materials:	Glue: Acrylic Adhesive		Base and Middle Layer: Polyethylene		
	Glue: Hot Melt Adhesive		Top Layer: Polyethylene terephthalate		
Packing:	Box of xpcs				
Regulatory:	Class 1				
Others:	Shelf life 2 Years Biocompatibility testing as per ISO 10993 TSE, Latex and DEHP Free ROHS Testing (2022/65/EU)				
Intended Use:					
Clear Grip is intended to secure medical tubing in place					
Using Recommendations:					
The plaster is secured to the skin, and the tubing is secured within the 2 layers of the plaster. When removing, the plaster should be peeled slowly from the skin. No chemicals needed for removal.					
Pictures:					
					
Description:	Packaging				
Code:	Packing			Unit of Sales	
CG-30	Primary- Shelf Box 55x25x80mm			30 pcs	
	Secondary- Shipper Box 285x270x180mm			3000pcs (100 Shelf Boxes)	
CG-NS	Primary- Shelf Box 200x145x100mm			2000 pcs	
	Secondary- Shipper Box 310x215x330mm			12000pcs (6 Shelf Boxes)	

Code:	GTN1 Single Unit	GTN1 Shelf Box	GTN1 Shipper
CG-30	05060590882344	05060590882351	NA
CG-NS	05060590882368	05060590883990	NA





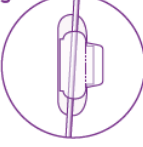

Code	Quantity per Pallet	Pallet Dimensions
CG-30	50 cartons per pallet 150000 pcs	1200x1000mm
CG-NS	17 cartons per pallet 204000 pcs	1200x1000mm

Drawings:

<p>THIS DRAWING IS CONFIDENTIAL AND THE PROPERTY OF THE COMPANY "GBUK Group" IT CANNOT BE GIVEN, COMMUNICATED OR COPIED WITHOUT OUR AUTHORIZATION</p>	<p>DIMENSIONS THE ON THE DRAWING NOT TO SCALE</p>
---	---

Description:	Box Artwork
--------------	-------------

<p style="text-align: right;">30 units</p> <p style="text-align: center;">Clear Grip Fixation Plaster</p>	<p style="text-align: center;">Clear Grip Fixation Plaster</p> <p>FR Pansement de fixation IT Cerotto di fissaggio ES Esparadrappo de fijación DE Fixierungspflaster DA Fikseringsplaster NO Fikseringsplaster SE Fixeringsplåster NL Fixatiepleister PL Plaster mocujący PT Penso para fixação EL Έμπλαστρο στερέωσης TR Sabitleme bandı CS Fixační náplast ET Kinnitusplaaster HU Rögzítő ragtapasz LV Fiksācijas plāksteris MT Plaster li jehel RO Plasture pentru fixare SL Obliz za pritrditev</p> <p>30 units</p> <p>GBUKEnteral Part of the GBUK Group</p>	<p>CE  </p> <p>Symbol glossary available at www.gbukenteral.com Not made with natural rubber latex.</p> <p>GBUK Group Ltd. Woodland House, Blackwood Hall Business Park, North Duffield, Selby, North Yorkshire YO8 5DD, UK EU: +44 (0)1757 282 945 US: 18665 289 422 info@gbukenteral.com www.gbukenteral.com</p> <p>EC REP QualRep Services BV Utrechtseweg 310 B42 6812 AR Arnhem, The Netherlands</p> <p>REF CG-30 LOT 123456 YYYY-MM-DD YYYY-MM-DD</p> <p>EXAMPLE BARCODE (01)05060590882344 (17)YYMMDD (10)123456 CG-30-01 2105 03</p>	<p style="text-align: center;">Clear Grip Fixation Plaster</p> <p>FR Pansement de fixation IT Cerotto di fissaggio ES Esparadrappo de fijación DE Fixierungspflaster DA Fikseringsplaster NO Fikseringsplaster SE Fixeringsplåster NL Fixatiepleister PL Plaster mocujący PT Penso para fixação EL Έμπλαστρο στερέωσης TR Sabitleme bandı CS Fixační náplast ET Kinnitusplaaster HU Rögzítő ragtapasz LV Fiksācijas plāksteris MT Plaster li jehel RO Plasture pentru fixare SL Obliz za pritrditev</p> <p>30 units</p> <p>GBUKEnteral Part of the GBUK Group</p>	<ol style="list-style-type: none"> 1  2  3  4 
<p>GBUKEnteral Part of the GBUK Group</p> <p>REF CG-NS</p> <p>Clear Grip Fixation Plaster</p> <p>LOT 123456 YYYY-MM-DD YYYY-MM-DD</p> <p>Made in XXXXX.</p> <p>Quantity: 2000 units Weight: XX kg XX lb XX oz</p> <p>Bulk Pack</p> <p>Symbol glossary available at www.gbukenteral.com Not made with natural rubber latex.</p> <p>EXAMPLE BARCODE (01)05060590882368 (17)YYMMDD (10)123456 CG-NS-08 2105 05</p>	<p>GBUK Group Ltd. Woodland House, Blackwood Hall Business Park, North Duffield, Selby, North Yorkshire, YO8 5DD, UK QualRep Services BV Utrechtseweg 310 B42 6812 AR Arnhem, The Netherlands</p> <p>EC REP</p>	<p>GBUKEnteral Part of the GBUK Group</p> <p>REF CG-NS</p> <p>Clear Grip Fixation Plaster</p> <p>LOT 123456 YYYY-MM-DD YYYY-MM-DD</p> <p>Made in XXXXX.</p> <p>Quantity: 2000 units Weight: XX kg XX lb XX oz</p> <p>Bulk Pack</p> <p>Symbol glossary available at www.gbukenteral.com Not made with natural rubber latex.</p> <p>EXAMPLE BARCODE (01)05060590882368 (17)YYMMDD (10)123456 CG-NS-08 2105 05</p>	<p>GBUK Group Ltd. Woodland House, Blackwood Hall Business Park, North Duffield, Selby, North Yorkshire, YO8 5DD, UK QualRep Services BV Utrechtseweg 310 B42 6812 AR Arnhem, The Netherlands</p> <p>EC REP</p>	
<p>Description:</p>	<p>Shipper Box Artwork</p>			

<p>GBUKEnteral Part of the GBUK Group</p> <p>REF CG-30</p> <p>Clear Grip Fixation Plaster</p> <p>LOT 123456</p> <p>Quantity: 3000 units</p> <p>Weight: XX kg XX lb XX oz</p> <p>Made in XXXXX.</p> <p>Individual Pack</p> <p>Symbol glossary available at www.gbukenteral.com Not made with natural rubber latex.</p> <div style="border: 1px solid black; padding: 5px; text-align: center;"> <p>EXAMPLE BARCODE</p> <p>(01)05060590882351 (17)YYMMDD (10)123456 CG-30-08 2105 04</p> </div>	<p>GBUKEnteral Part of the GBUK Group</p> <p>REF CG-30</p> <p>Clear Grip Fixation Plaster</p> <p>LOT 123456</p> <p>Quantity: 3000 units</p> <p>Weight: XX kg XX lb XX oz</p> <p>Made in XXXXX.</p> <p>Individual Pack</p> <p>Symbol glossary available at www.gbukenteral.com Not made with natural rubber latex.</p> <div style="border: 1px solid black; padding: 5px; text-align: center;"> <p>EXAMPLE BARCODE</p> <p>(01)05060590882351 (17)YYMMDD (10)123456 CG-30-08 2105 04</p> </div>
<p>Modified by: Katey Anderson</p>	<p>Date: 02 June 2021</p>
<p>Reviewed by: Katey Anderson</p>	<p>Date: 02 June 2021</p>
<p>GBUKEnteral Part of the GBUK Group</p> <p>GBUK Enteral is a trading name of GBUK Enteral Ltd. GBUK Enteral Ltd. Is part of GBUK Group Ltd.</p>	<p>GBUK Enteral Woodland House Blackwood Hall Business Park North Duffield, North Yorkshire YO8 5DD, UK</p> <p>TEL: +44 (0) 1757 282 945 https://www.gbukgroup.com/</p>

	<p>https://www.gbukgroup.com/brands/gbuk-ental/</p>
--	--