

Technical manual Mounting instructions

EM2010 DX

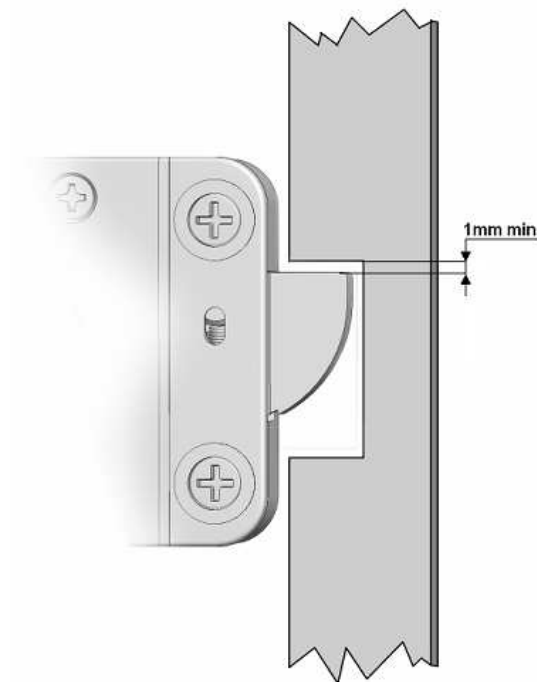
CHARACTERISTICS

The DirectXion lock can be mounted in all four mounting directions. Also, by flipping the lock, all blocking directions can be achieved. The mounting dimensions are standard. The lock is delivered with metric (M6) mounting screws. The PCB board in this lock is intended as an OEM solution for customers who would like to control the lock via their own electronics. Once voltage is supplied the lock will open for a 5 seconds and the boltwork can be moved into OPEN position by pushing the bolt inside the lock case. After 5 seconds the board will cut power to blocking element regardless if voltage is still supplied from external system. When moving the boltwork into LOCKED position the DirectXion automatically locks. To open the lock again the voltage has to be dropped and re-applied.

BOLTWORK REQUIREMENTS and MOUNTING INSTRUCTIONS

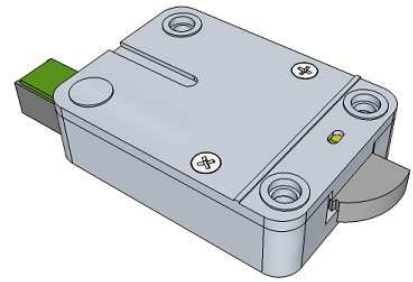
The maximum allowed cable/spindle-hole diameter is 12mm (if located under the lock body)

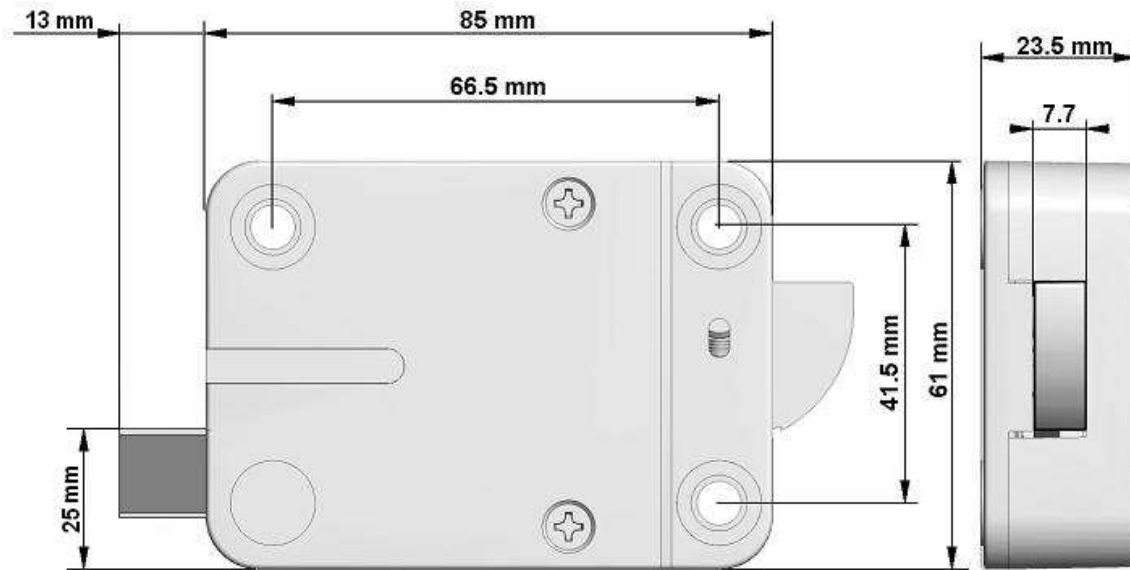
If the DirectXion lock is used in conjunction with another lock, the boltwork must be constructed in a way that the DirectXion secures first.



In the LOCKED position the distance between the DirectXion bolt and the boltwork part that is moving the lock bolt should be approximately 1 mm.

Only use supplied screws to mount the lock. Tighten the screws securely so the lock body is attached firmly to the mounting surface.





Connection to lock is via a RJ45 (female) connector on lock case. Cable (Art.nr. 390) has to be ordered separately. Min voltage: 9V, Maximum voltage: 12V.

