

dline

Base

dline

Base collection

The Base collection is an assortment of the essentials within hardware and sanitary ware that is competitively priced.

To meet the need of every type of project or building we've innovated this collection with the sole purpose of providing a wider range of choices, when budgets are constrained or over-spent. sleek, minimal and competitively priced, each piece features enduring, well-functioning mechanisms in high quality AISI 304 stainless steel.

Each piece in the Base collection shares:

- AISI 304 stainless steel
- 10 year guarantee
- Competitively priced
- All lever handles have been tested according to EN1906 (digit 1) category 4
- All lever handles come with high quality torx security fixings
- All products in this catalogue are stock items

Introduction

Hardware

Lever Handle 19 Coupe Dørgreb 19 Coupe



Description:

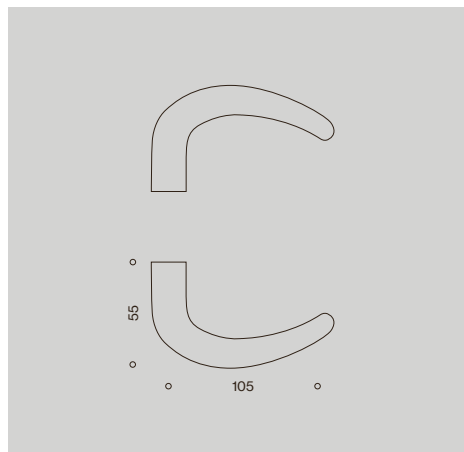
Supplied with screws M4 x 110 mm and M4 x 39 mm
Leveres med M4 x 110 mm og M4 x 39 mm skruer

Item Number: **Unit:** **Colli:**

Pair 8 x 8 mm, solid rose cc 30 mm, 33-59 mm
Sæt 8 x 8 mm, massiv roset cc 30 mm, 33-59 mm

28.1111.02.010 Set 5

Technical drawing:



Lever Handle 16 L Dørgreb 16 L



Description:

Supplied with screws M4 x 110 mm
Leveres med M4 x 110 mm

Item Number: **Unit:** **Colli:**

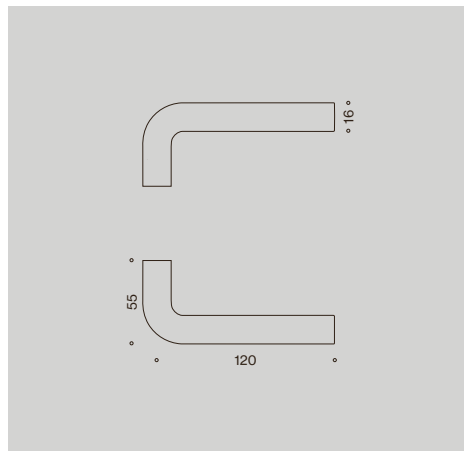
Pair 8 x 8 mm, solid rose cc 30 mm, 33-59 mm
Sæt 8 x 8 mm, massiv roset cc 30 mm, 33-59 mm

28.1011.02.010 Set 5

Pair 8 x 8 mm, snap on cover cc 30/38 mm, 33-59 mm
Sæt 8 x 8 mm, klipsroset cc 30/38 mm, 33-59 mm

28.1016.02.010 Set 5

Technical drawing:



Lever Handle 16 U Dørgreb 16 U**Description:**

Supplied with screws M4 x 110 mm and M4 x 39 mm
Leveres med M4 x 110 mm og M4 x 39 mm skruer

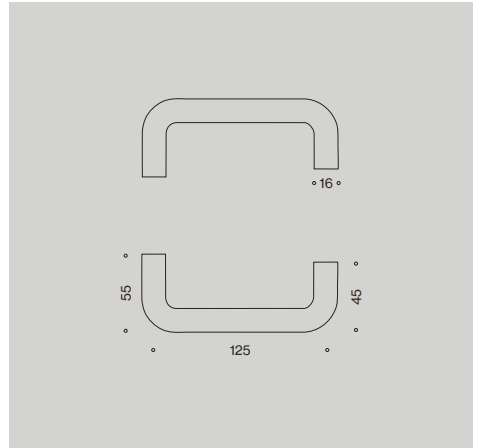
Pair 8 x 8 mm, solid rose cc 30 mm, 33-59 mm
Sæt 8 x 8 mm, massiv roset cc 30 mm, 33-59 mm

Pair 8 x 8 mm, snap on cover cc 30/38 mm, 33-59 mm
Sæt 8 x 8 mm, klipsroset cc 30/38 mm, 33-59 mm

Item Number: **Unit:** **Colli:**

28.1211.02.010 Set 5

28.1216.02.010 Set 5

Technical drawing:**Lever Handle 19 L Dørgreb 19 L****Description:**

Supplied with screws M4 x 110 mm and M4 x 39 mm
Leveres med M4 x 110 mm og M4 x 39 mm skruer

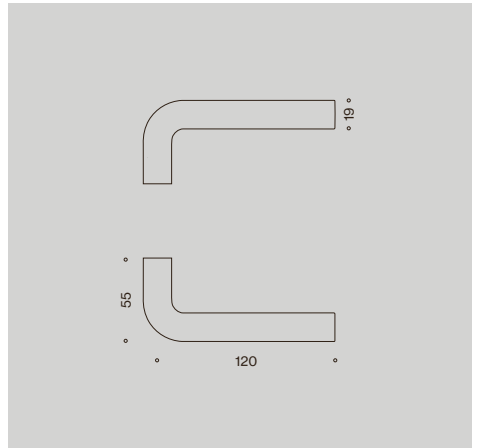
Pair 8 x 8 mm, solid rose cc 30 mm, 33-59 mm
Sæt 8 x 8 mm, massiv roset cc 30 mm, 33-59 mm

Pair 8 x 8 mm, snap on cover cc 30/38 mm, 33-59 mm
Sæt 8 x 8 mm, klipsroset cc 30/38 mm, 33-59 mm

Item Number: **Unit:** **Colli:**

28.1611.02.010 Set 5

28.1616.02.010 Set 5

Technical drawing:**Lever Handle 19 U Dørgreb 19 U****Description:**

Supplied with screws M4 x 110 mm and M4 x 39 mm
Leveres med M4 x 110 mm og M4 x 39 mm skruer

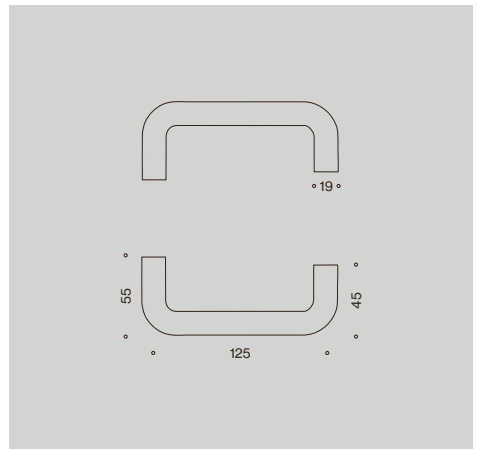
Pair 8 x 8 mm, solid rose cc 30 mm, 33-59 mm
Sæt 8 x 8 mm, massiv roset cc 30 mm, 33-59 mm

Pair 8 x 8 mm, snap on cover cc 30/38 mm, 33-59 mm
Sæt 8 x 8 mm, klipsroset cc 30/38 mm, 33-59 mm

Item Number: **Unit:** **Colli:**

28.1811.02.010 Set 5

28.1816.02.010 Set 5

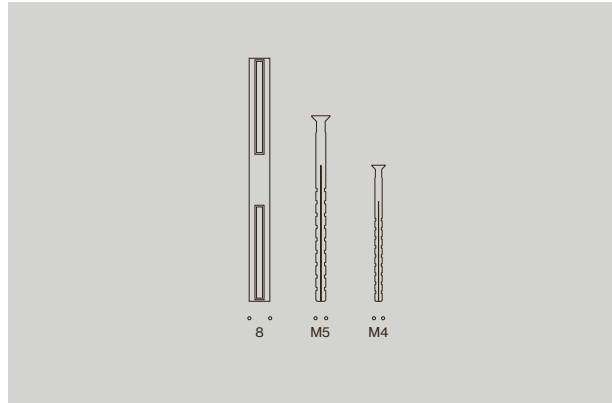
Technical drawing:

Spindle/Sectioned bolt Dørgrebsjern/Knækskruer

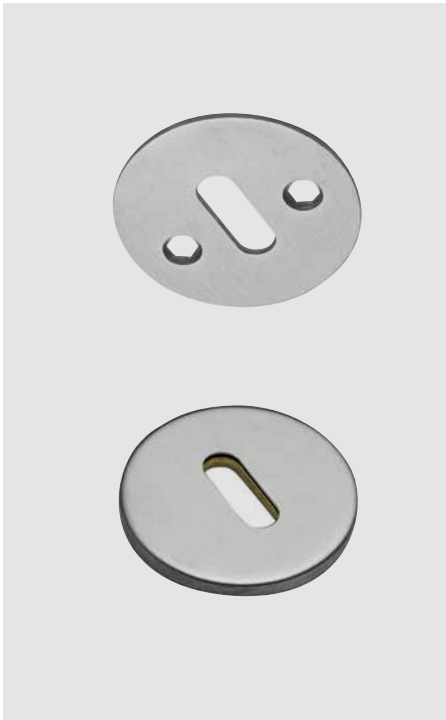


Description:	Item Number:	Unit:	Colli:
Spindle 8 x 8 x 92 mm, 33-59 mm Dørgrebsjern 8 x 8 x 92 mm, 33-59 mm	28.2810.00.092	Pcs Stk	50
Spindle 8 x 8 x 116 mm, 59-85 mm Dørgrebsjern 8 x 8 x 116 mm, 59-85 mm	28.2810.00.116	Pcs Stk	50
Spindle 8 x 8 x 140 mm, 85-111 mm Dørgrebsjern 8 x 8 x 116 mm, 85-111 mm	28.2810.00.140	Pcs Stk	50
Sectioned bolt, M4 x 110 mm, w/turn stop & bush Knækskruer, M4 x 110 mm, m/ bøsning	28.2904.10.100	Pcs Stk	100
Sectioned bolt, M5 x 110 mm, w/turn stop & bush Knækskruer, M5 x 110 mm, m/ bøsning	28.2905.10.100	Pcs Stk	100

Technical drawing:

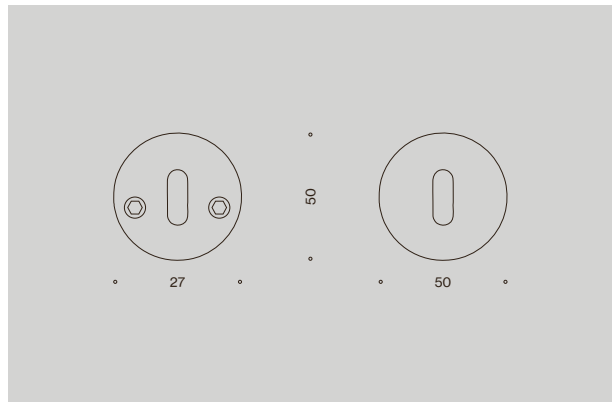


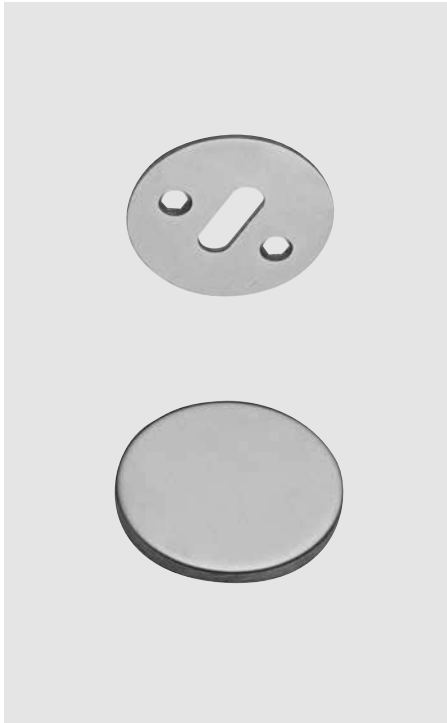
Key escutcheon set Nøgleskilt



Description:	Item Number:	Unit:	Colli:
Ø50 mm key escutcheon set, w/screws Ø50 mm nøgleskilt sæt, m/skruer			
Solid w/key hole cc 27 mm Massiv roset m/nøglehul cc 27 mm	28.3230.00.551	Set Sæt	25
Snap on cover w/key hole cc 27/38 mm Klipsroset m/nøglehul cc 27/38 mm	28.3235.02.804	Set Sæt	25

Technical drawing:



Blind rose set Blind roset sæt**Description:**

Ø50 mm solid rose set, w/screws
 Ø50 mm blind roset sæt, m/skruer

Solid rose cc 30 mm
 Massiv roset cc 30 mm

Item Number:

28.3240.02.100

Unit: **Colli:**Set 25
Sæt

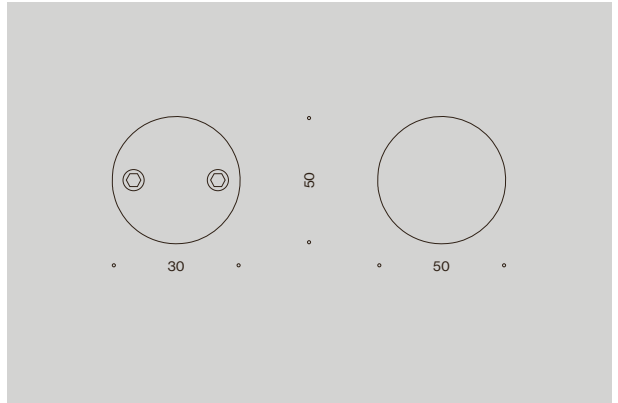
Snap on cover cc 27/30/38 mm
 Klipsroset cc 27/30/38 mm

28.3245.02.800

Set 25
Sæt

Solid rose cc 30 mm, f/cylinder hole, Ø50 x 2 mm
 Massiv roset cc 30 mm, t/cylinder hul, Ø50 x 2 mm

28.3460.02.108

Set 25
Sæt**Technical drawing:****Thumb turn** Vridergreb**Description:**

Ø50 mm thumb turn set
 Ø50 mm vridergreb sæt

Solid cc 30 mm f/ASSA
 Massiv cc 30 mm f/ASSA

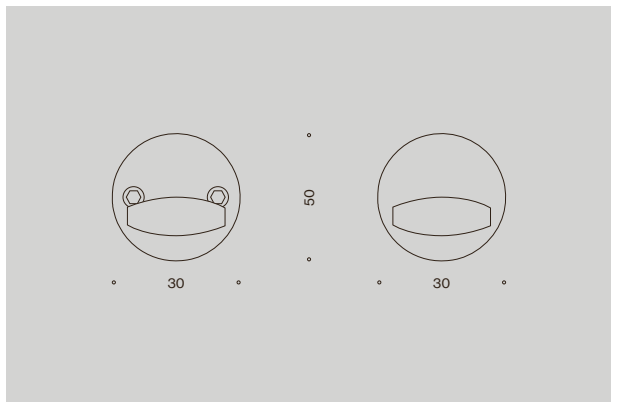
Item Number:

28.3410.02.179

Unit: **Colli:**Pcs 10
Stk

Snap on cover 30 mm f/ASSA
 Klipsroset cc 30 mm f/ASSA

28.3416.02.160

Pcs 10
Stk**Technical drawing:**

Cyl. escutcheon Cyl. besætning



Description:

Ø52 w/PZ hole, snap on cover cc 38 mm, w/screws
 Ø52 w/PZ hole, klipsroset cc 38, m/skruer

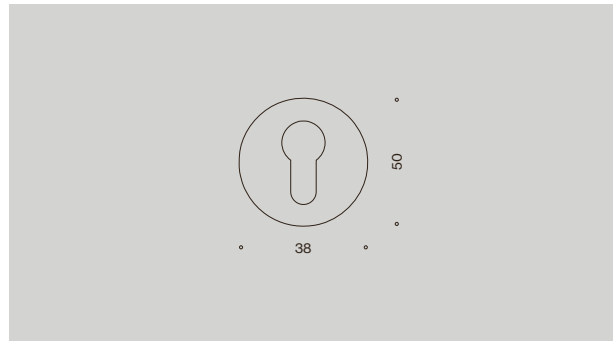
Item Number:

28.3435.02.215

Unit: Colli:

Set 20
 Sæt

Technical drawing:



Cyl. escutcheon Cyl. besætning



Description:

External 6 mm, w/oval cyl. hole cc 30 mm, M5
 Udvendig 6 mm, m/oval cyl. hul cc 30 mm, M5

Item Number:

28.3441.02.067

Unit: Colli:

Pcs 25
 Stk

External 8 mm, w/oval cyl. hole cc 30 mm, M5
 Udvendig 8 mm, m/oval cyl. hul cc 30 mm, M5

28.3441.02.083

Pcs 25
 Stk

External 11 mm, w/oval cyl. hole cc 30 mm, M5
 Udvendig 11 mm, m/oval cyl. hul cc 30 mm, M5

28.3441.02.113

Pcs 25
 Stk

External 13 mm, w/oval cyl. hole cc 30 mm, M5
 Udvendig 13 mm, m/oval cyl. hul cc 30 mm, M5

28.3441.02.130

Pcs 25
 Stk

External 16 mm, w/oval cyl. hole cc 30 mm, M5
 Udvendig 16 mm, m/oval cyl. hul cc 30 mm, M5

28.3441.02.164

Pcs 25
 Stk

External 18 mm, w/oval cyl. hole cc 30 mm, M5
 Udvendig 18 mm, m/oval cyl. hul cc 30 mm, M5

28.3441.02.181

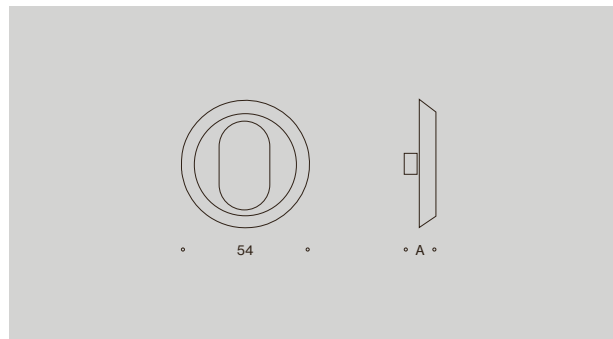
Pcs 25
 Stk

External 21 mm, w/oval cyl. hole cc 30 mm, M5
 Udvendig 21 mm, m/oval cyl. hul cc 30 mm, M5

28.3441.02.211

Pcs 25
 Stk

Technical drawing:



Cyl. escutcheon Cyl. besætning



Description:

Internal 6 mm, w/oval cyl. hole cc 30 mm, M5
 Indvendig 6 mm, m/oval cyl. hul cc 30 mm, M5

Internal 8 mm, w/oval cyl. hole cc 30 mm, M5
 Indvendig 8 mm, m/oval cyl. hul cc 30 mm, M5

Internal 11 mm, w/oval cyl. hole cc 30 mm, M5
 Indvendig 11 mm, m/oval cyl. hul cc 30 mm, M5

Internal 13 mm, w/oval cyl. hole cc 30 mm, M5
 Indvendig 13 mm, m/oval cyl. hul cc 30 mm, M5

Internal 16 mm, w/oval cyl. hole cc 30 mm, M5
 Indvendig 16 mm, m/oval cyl. hul cc 30 mm, M5

Internal 18 mm, w/oval cyl. hole cc 30 mm, M5
 Indvendig 18 mm, m/oval cyl. hul cc 30 mm, M5

Internal 21 mm, w/oval cyl. hole cc 30 mm, M5
 Indvendig 21 mm, m/oval cyl. hul cc 30 mm, M5

Item Number:

28.3451.02.061

28.3451.02.087

28.3451.02.117

28.3451.02.133

28.3451.02.168

28.3451.02.184

28.3451.02.228

Unit: Colli:

Pcs Stk 25

Pcs Stk 25

Pcs Stk 25

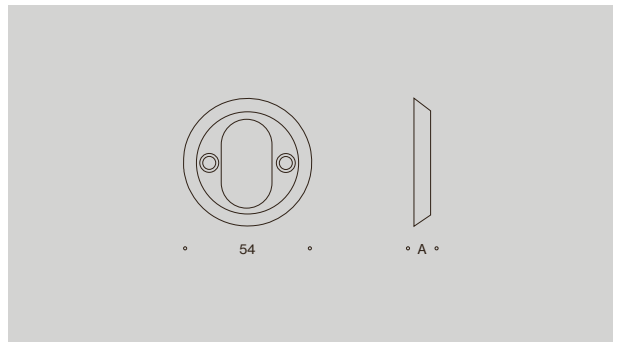
Pcs Stk 25

Pcs Stk 25

Pcs Stk 25

Pcs Stk 25

Technical drawing:



Cyl. escutcheon Cyl. besætning



Description:

Internal 6 mm, rocoo cc 30 mm, M5
 Indvendig 6 mm, rokoko cc 30 mm, M5

Internal 8 mm, rocoo cc 30 mm, M5
 Indvendig 8 mm, rokoko cc 30 mm, M5

Internal 11 mm, rocoo cc 30 mm, M5
 Indvendig 11 mm, rokoko cc 30 mm, M5

Internal 13 mm, rocoo cc 30 mm, M5
 Indvendig 13 mm, rokoko cc 30 mm, M5

Internal 16 mm, rocoo cc 30 mm, M5
 Indvendig 16 mm, rokoko cc 30 mm, M5

Internal 18 mm, rocoo cc 30 mm, M5
 Indvendig 18 mm, rokoko cc 30 mm, M5

Internal 21 mm, rocoo cc 30 mm, M5
 Indvendig 21 mm, rokoko cc 30 mm, M5

Item Number:

28.3453.02.060

28.3453.02.086

28.3453.02.116

28.3453.02.132

28.3453.02.167

28.3453.02.183

28.3453.02.213

Unit: Colli:

Pcs Sæt 25

Pcs Sæt 25

Pcs Sæt 25

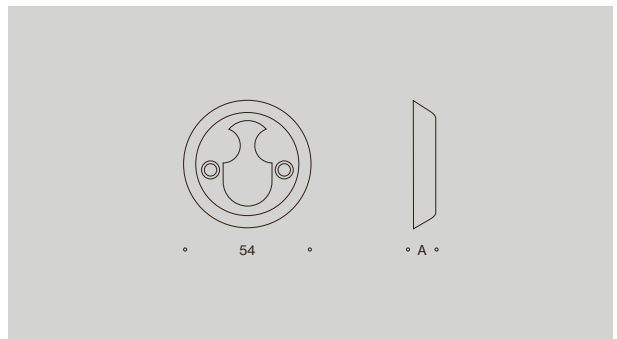
Pcs Sæt 25

Pcs Sæt 25

Pcs Sæt 25

Pcs Sæt 25

Technical drawing:

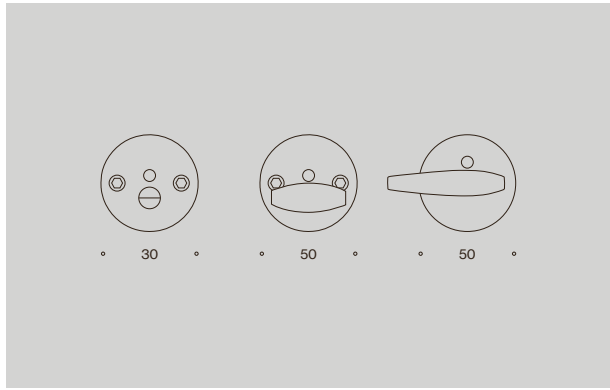


Toilet indicator 90° Toiletbesætning 90°



Description:	Item Number:	Unit:	Colli:
Solid rose cc 30 x 5,5 mm spindle Massiv roset cc 30 x 5,5 mm stift/medbringer	28.3470.02.152	Set Sæt	10
RH disabled, solid rose cc 30 x 5,5 mm spindle H handicap, massiv roset cc 30 x 5,5 mm stift/medbringer	28.3471.02.157	Set Sæt	10
LH disabled, solid rose cc 30 x 5,5 mm spindle V handicap, massiv roset cc 30 x 5,5 mm stift/medbringer	28.3471.02.165	Set Sæt	10

Technical drawing:

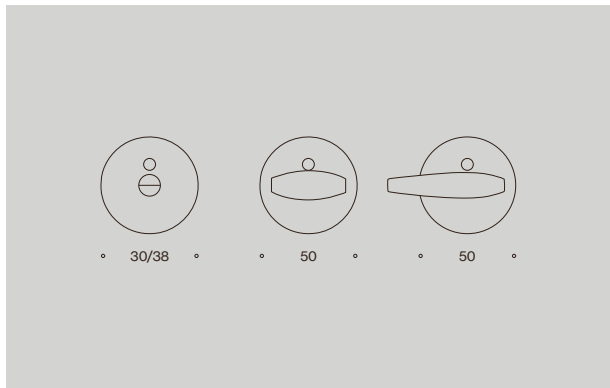


Toilet indicator 90° Toiletbesætning 90°



Description:	Item Number:	Unit:	Colli:
Snap on cover cc 30 x 5,5 mm spindle Kliproset cc 30 x 5,5 mm stift/medbringer	28.3475.02.155	Set Sæt	10
Snap on cover cc 38 x 8 mm spindle Kliproset cc 38 x 8 mm stift/medbringer	28.3475.02.309	Set Sæt	25
Disabled, snap on cover cc 30 x 5,5 mm spindle Handicap, klipproset cc 30 x 5,5 mm stift/medbringer	28.3478.02.150	Set Sæt	10
Disabled, snap on cover cc 38 x 8 mm spindle Handicap, klipproset cc 38 x 8 mm stift/medbringer	28.3478.02.300	Set Sæt	25

Technical drawing:

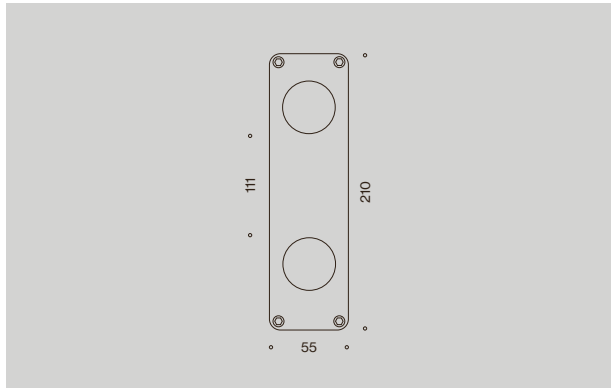


Back plate Langskilt**Description:**

X= 111 mm, 2 x Ø40 mm hole f/escutcheons,
f/ASSA, 210 x 55 x 2 mm
X= 111 mm, 2 x Ø40 mm hul t/besætning,
t/ASSA, 210 x 55 x 2 mm

Item Number:

28.3650.02.170

Unit: Colli:Pcs 15
Stk**Technical drawing:****Back plate Faconskilt****Description:**

RH X= 111 mm, 2 x Ø40 mm hole f/escutcheons,
f/ASSA, 175 x 175 x 2 mm
CH H X= 111 mm, 2 x Ø40 mm hul t/besætning,
t/ASSA, 175 x 175 x 2 mm

Item Number:

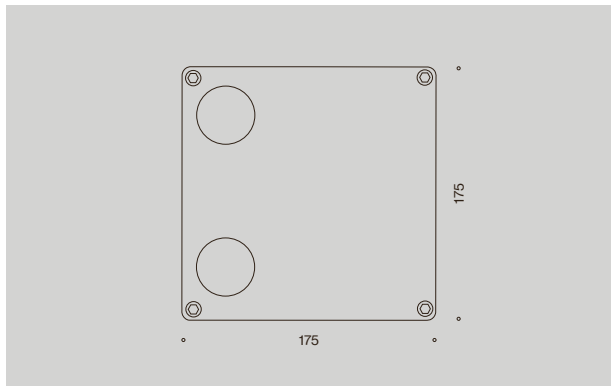
28.3675.02.211

Unit: Colli:Pcs 5
Stk

RH X= 111 mm, 02 x Ø40 mm hole f/escutcheons,
f/ASSA, 175 x 175 x 2 mm
CH H X= 111 mm, 2 x Ø40 mm hul t/besætning,
t/ASSA, 175 x 175 x 2 mm

Item Number:

28.3675.02.311

Unit: Colli:Pcs 5
Stk**Technical drawing:**

Flush pull handle Skydedørsskal**Description:**

Round, Ø50 mm
Rund, Ø50 mm

Round, Ø75 mm
Rund, Ø75 mm

Oval, 50 x 100 mm
Oval, 50 x 100 mm

Item Number:

28.3900.02.051

28.3900.02.077

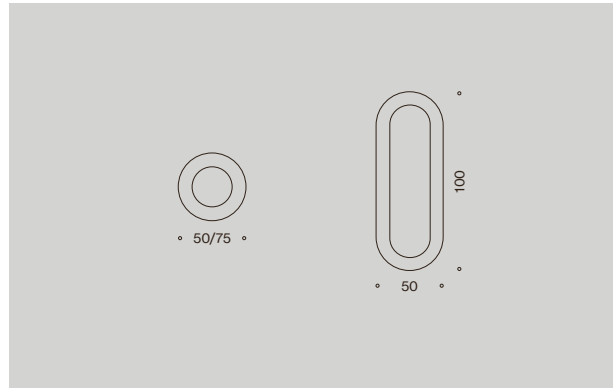
28.3950.02.105

Unit: Colli:

Pcs 5
Stk

Pcs 25
Stk

Pcs 25
Stk

Technical drawing:**Door stop Derstop****Description:**

Wall, Ø19 x 70 mm
Væg, Ø19 x 70 mm

Wall/floor, Ø22 x 50 mm, 55 mm
Væg/gulv, Ø22 x 50 mm, 55 mm

Wall/floor, Ø22 x 50 mm, 80 mm
Væg/gulv, Ø22 x 50 mm, 80 mm

Item Number:

28.5060.02.002

28.5070.02.006

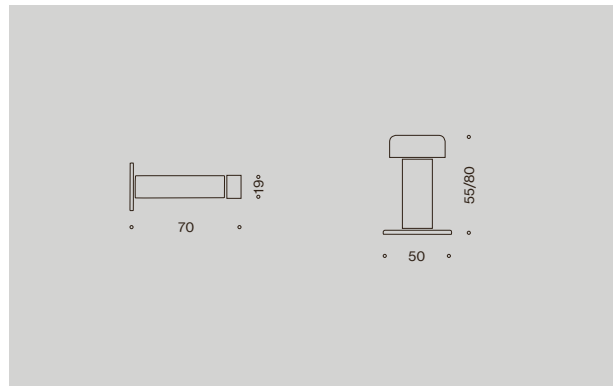
28.5070.02.085

Unit: Colli:

Pcs 25
Stk

Pcs 15
Stk

Pcs 12
Stk

Technical drawing:

Door stop Dørstop



Description:

Floor turtle, Ø80 x 15 mm
Gulv skildpadde, Ø80 x 15 mm

Floor turtle, Ø80 x 30 mm
Gulv skildpadde, Ø80 x 30 mm

Item Number:

28.5080.02.015

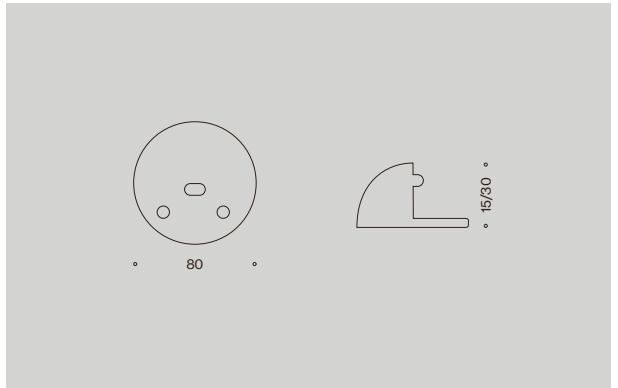
28.5080.02.030

Unit: Colli:

Pcs 20
Stk

Pcs 10
Stk

Technical drawing:



Sanitary ware

Mirror holder Spejlholdere**Description:**

4 pcs (8 mm), Ø25 x 22 mm
4 stk (8 mm), Ø25 x 22 mm

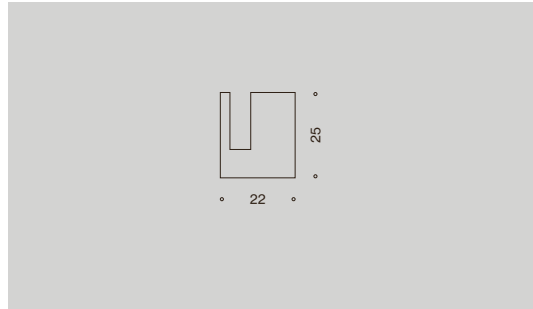
VVS # 771787180

Item Number:

28.7010.02.080

Unit: Colli:

Set 30
Sæt

Technical drawing:**Soap dispenser** Sæbedispenser**Description:**

Wall mounted, 370 ml, cc 70,
Ø76 x 125 x 162 mm
Vægmonteret, 370 ml, cc 70,
Ø76 x 125 x 162 mm

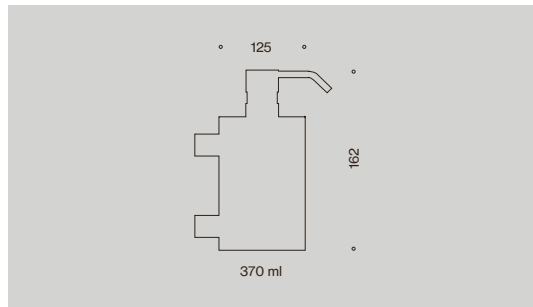
VVS # 774485200

Item Number:

28.7045.02.003

Unit: Colli:

Pcs 10
Stk

Technical drawing:**Towel ring** Håndklædering**Description:**

210 x 210 x 40 mm, Ø10 mm,
200 x 40 x 235 mm

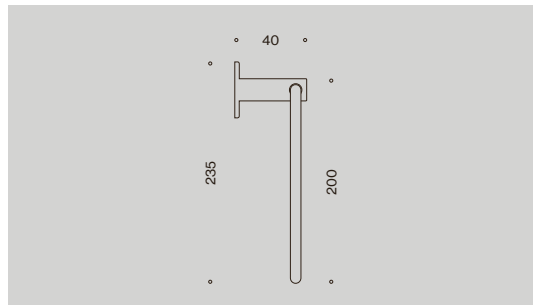
VVS # 775597400

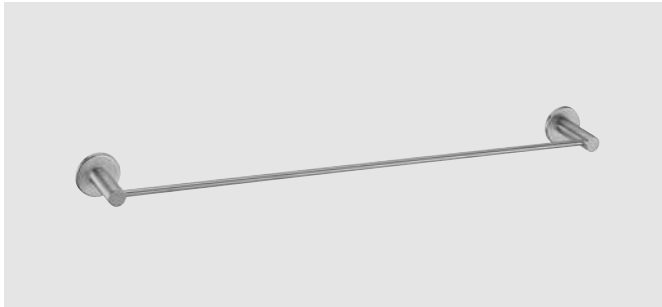
Item Number:

28.7054.02.400

Unit: Colli:

Pcs 60
Stk

Technical drawing:

Towel holder Håndklæde holder**Description:**

Single, Ø20 x 600 x 65 mm
 Enkelt, Ø20 x 600 x 65 mm

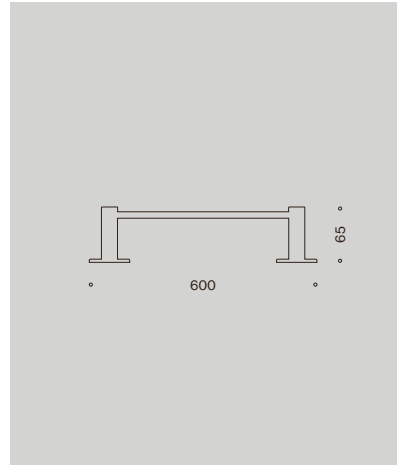
VVS # 775597100

Item Number:

28.7054.02.410

Unit: Colli:

Pcs 10
 Stk

Technical drawing:**Hook w/pin** Krog m/stift**Description:**

Set w/2 pcs, Ø14 mm, 40 x 28 mm
 Sæt m/2stift, Ø14 mm, 40 x 28 mm

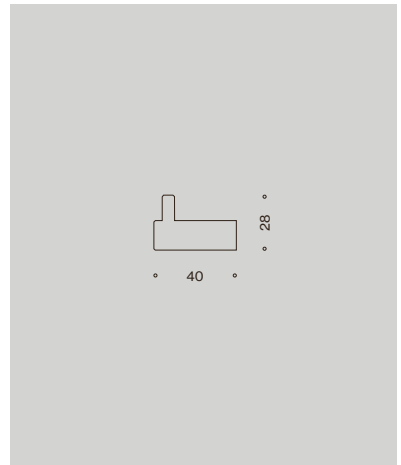
VVS # 775077200

Item Number:

28.7054.02.620

Unit: Colli:

Pcs 50
 Stk

Technical drawing:**Hook w/rose** Krog m/roset**Description:**

40 x 50 mm
 40 x 50 mm

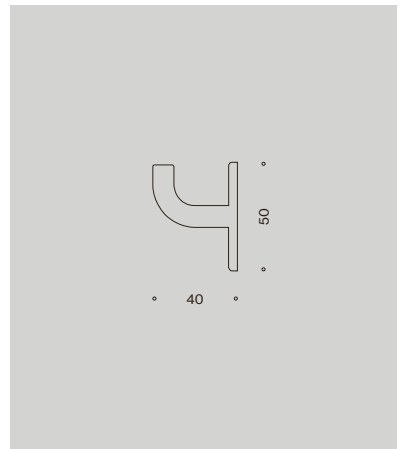
VVS # 775077300

Item Number:

28.7054.02.630

Unit: Colli:

Pcs 50
 Stk

Technical drawing:

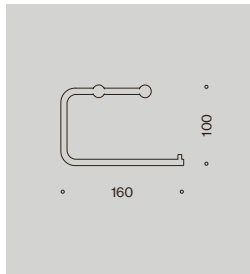
Toilet roll holder Toilettrulleholder**Description:**

cc 60, Ø8/16 mm, 160 x 100 mm
cc 60, Ø8/16 mm, 160 x 100 mm

VVS # 776470100

Item Number: **Unit:** **Colli:**

28.7056.02.300 Pcs 20
 Stk

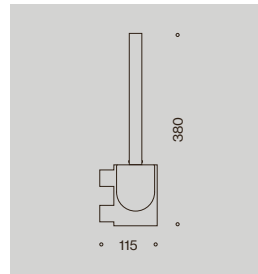
Technical drawing:**Toilet brush holder** Toiletbørste holder**Description:**

Wall mounted, cc 70, Ø89 x 115 x 380 mm
Vægmonteret, cc 70, Ø89 x 115 x 380 mm

VVS # 778585100

Item Number: **Unit:** **Colli:**

28.7061.02.100 Pcs 10
 Stk

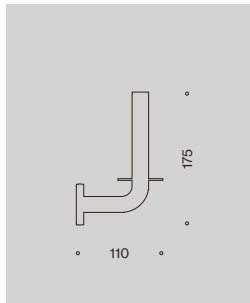
Technical drawing:**Spare roll holder** Reservepapirholder**Description:**

W/rose, Ø16 mm, 50 x 110 x 175 mm
M/rosette, Ø16 mm, 50 x 110 x 175 mm

VVS # 776582100

Item Number: **Unit:** **Colli:**

28.7062.02.100 Pcs 60
 Stk

Technical drawing:**Madam peg** Madammeklemme**Description:**

360 x 40 mm, satin stainless steel,
360 x 40 mm, børstet rustfrit stål,

VVS # 777713100

Item Number: **Unit:** **Colli:**

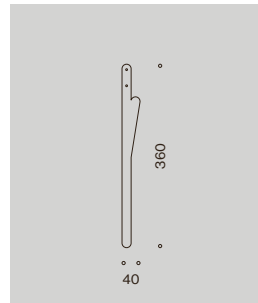
28.7068.02.000 Pcs 25
 Stk

360 x 40 mm, white aluminium,
360 x 40 mm, hvid aluminium,

VVS # 777713010

Item Number: **Unit:** **Colli:**

28.7068.30.000 Pcs 25
 Stk

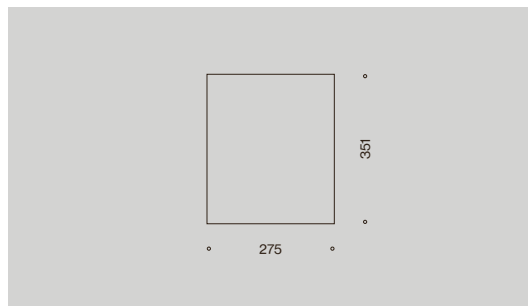
Technical drawing:

Paper towel dispenser Papirdispenser



Description:	Item Number:	Unit:	Colli:
Wall mounted, 275 x 113 x 351 mm Vægmonteret, 275 x 113 x 351 mm	28.7080.02:100	Pcs Stk	5

Technical drawing:

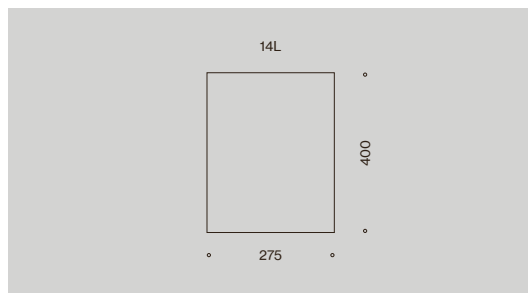


Waste paper bin Affaldsspand



Description:	Item Number:	Unit:	Colli:
Wall mounted, 275 x 195 x 400 mm Vægmonteret, 275 x 195 x 400 mm	28.7085.02:100	Pcs Stk	2

Technical drawing:

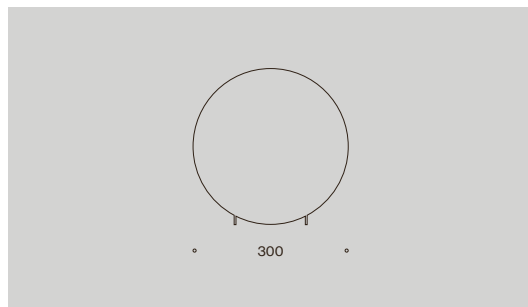


Maxi toilet roll holder Stor toiletrulleholder



Description:	Item Number:	Unit:	Colli:
Ø300 mm Ø300 mm	28.7086.02:100	Pcs Stk	5

Technical drawing:



APPROVAL
SKG.0232.3647.06.ENG

Issued: 22-03-2018
Valid until: 22-03-2021

Replaces: SKG.0232.3647.05.ENG
Issued: 18-12-2017



Approvalholder

d line AS
Roskildevej 22
DK-2620 DK-2620
T: + 45 (0) 7217 0138
E: info@dline.com
I: www.dline.com

Approval of conformity

Statement by SKG-IKOB

This approval applies to the construction product

HANDLES

as specified in the attached appendix placed on the market under the name or trade mark of the holder of this approval and produced by or for the holder of this approval in the manufacturing plant(s) if mentioned above.

The product is subjected to the Internal Quality System (IQS) of the holder of this approval with respect to the model specifications and product designations. SKG-IKOB issues this approval of the product based on:

- I Results of Initial Type Testing of the product;
- II Initial inspection of the manufacturing plant and the Internal Quality System (IQS) according to the requirements of the SKG-IKOB Guideline for a Certificate of conformity and the standard as mentioned beneath;
- III Every three year an assessment and evaluation of the Internal Quality System (IQS) according to the requirements of the SKG-IKOB Guideline for a Approval of conformity and the standard as mentioned beneath.

This approval attests that products, produced by or on behalf of the holder of this approval, delivered under type- and/or article number as mentioned in the annex meet the classification(s) according to:

EN 1906: 2012

This approval was first issued on 22-03-2013 and will remain valid until the date as mentioned at this approval provided that the test methods and/or factory production control requirements included in the standard, used to assess the performance of the declared characteristics, do not change, and the product, and the manufacturing conditions in the plant are not modified significantly.

For SKG-IKOB

ir. H.A.J. van Dartel
Certification manager

The users of this approval are advised to verify at www.skgikob.nl if this certificate is still valid and actual.
This certificate consists of 5 pages.

APPROVAL

SKG-IKOB Certificatie
Poppenbouwing 56
4191 NZ, Geldermalsen

Postbus 202
4190 GE, Geldermalsen

T 088-2440100
info@skgikob.nl
www.skgikob.nl



Article	Specification	Classification according to EN 1906	SKG-IKOB - assessment
Base: 28390002051 28390002077 28395002105	Stainless steel flush pulls; Round: \varnothing 50 – 75 mm Oval: 50 – 100 mm	- - - B - - - -	17.00417

Article	Specification	Classification according to EN 1906	SKG-IKOB - ITT (report no.)
Base - 28.xxxx.02.xxx : L shape 16 / 19 mm U shape 16 / 19 mm C shape 19 mm FF shape 19 mm Coupe shape	Stainless steel lever handles on stainless steel roses, or on zamac roses with stainless steel cover	4 7 - B1 0 4 0 U	10-426 11-401

Service and maintenance

Service and Maintenance

Our Base collection is produced in AISI 304 satin stainless steel and is therefore suitable for areas where the demand for quality and durability is needed. The products can be used both outside and inside, in both private and public buildings. Function of levers, pull handles and fittings should be checked on a regular basis. If fittings are loose they need to be tightened.

Cleaning is carried out to restore the original surface appearance, prevent corrosion and maintain hygienic conditions. If spots appear on the surface it is not due to the stainless steel, but to impurities in the water, the air or to cleaning agents that have not been thoroughly removed from the surface.

Cleaning Technique

It is important to clean stainless steel regularly. Initially, wash down the surface using soapy water or a mild detergent. Always thoroughly rinse the cleaning agent away with clean water. To complete the cleaning procedures dry/polish the item with a soft, dry cloth. Within aggressive conditions, such as offshore, marine and swimming pool environments, it is especially relevant to ensure that cleaning maintenance occurs regularly. Please do not use scouring powders, steel wool or any strong abrasive materials as these may damage the surface.

d line is a heritage Danish design brand conceiving and hand crafting enduring architectural hardware, sanitary ware and solutions for barrier-free living. Its products are present in many iconic buildings, from MoMA and Via 57 West in New York City, to the SAS Royal Hotel and the Royal Danish Playhouse in Copenhagen.

The brand's ambition is to be universally known, coveted and admired for the uncompromising endurance of its design, craftsmanship and quality.

dline.com



ne