

VANDERBILT

CD30 Codoor

Configuration Manual

Liefermöglichkeiten und technische Änderungen vorbehalten.
Data and design subject to change without notice. / Supply subject to availability.
© 2016 Copyright by Vanderbilt International (IRL) Ltd.

Wir behalten uns alle Rechte an diesem Dokument und an dem in ihm dargestellten Gegenstand vor. Der Empfänger erkennt diese Rechte an und wird dieses Dokument nicht ohne unsere vorgängige schriftliche Ermächtigung ganz oder teilweise Dritten zugänglich machen oder außerhalb des Zweckes verwenden, zu dem es ihm übergeben worden ist.

We reserve all rights in this document and in the subject thereof. By acceptance of the document the recipient acknowledges these rights and undertakes not to publish the document nor the subject thereof in full or in part, nor to make them available to any third party without our prior express written authorization, nor to use it for any purpose other than for which it was delivered to him.

About this document

This **configuration manual** contains instructions for installation, setup, configuration and operation of CD30.

Trade mark

All products or company names mentioned in this manual for purposes of identification or description could be trademarks or registered trademarks of their respective owners.

Contacting us

If you have questions or suggestions regarding the product or this documentation, please contact your local Vanderbilt representative.

You can also visit our Web site at: www.vanderbiltindustries.com

Training courses

Vanderbilt provides training courses for all products.

Contents

1	Service description	5
2	Safety	5
2.1	Target group.....	5
2.2	General safety precautions	5
3	Standards and guidelines	6
3.1	EU directives	6
4	Technical data	6
5	Details for ordering	7
6	Package contents.....	7
7	Description of Equipment	8
7.1	General use.....	8
7.2	Mounting	8
7.3	Keypad	8
7.4	LED Status at battery warning	9
7.5	Buzzer	9
8	Change Administrator code.....	10
8.1	Present Administrator code is known.....	10
8.2	Present Administrator code is not known.....	11
9	Mounting	12
9.1	Technical details	12
9.2	Fitting CD30 to the door	13
9.2.1	Test mechanical function of CD30	14
9.3	Change batteries.....	14
10	Programming.....	15
10.1	Set Group code	15
10.1.1	Enter Group code.....	15
10.1.2	Change Group code.....	16
10.1.3	Delete Group code	16
10.2	Lock/unlock door	17
10.3	Disable/enable buzzer	17
11	Erase memory	18
12	Operation	19
12.1	Leaving the premises.....	19
12.2	Automatic resetting	19
12.3	Access blocking	19
12.4	Backup power supply.....	19
13	Command overview	20
14	Troubleshooting.....	21
15	Glossary	21
16	Keyword index.....	22

1 Service description

CD30 is a Scandinavian style Codoor. The CD30, a complete code lock suitable for fitting to a single door, incorporates an electronic code lock, a mechanical locking device and a power unit in the same housing.

2 Safety

2.1 Target group

Target readers	Qualification	Activity	Condition of the product
Installer	Technical training for building or electrical installations.	Installs the product, individual components of the product or replacement parts.	Components of the product are not yet installed or need to be replaced or modified.
Operational startup personnel	Technical training for building or electrical installations. Special knowledge of the device is required.	Puts the product into operation for the first time, or changes the existing configuration.	The product is installed but not yet configured, or the existing configuration is to be changed.
Service personnel	Technical training for building or electrical installations. Special knowledge of the device is required.	Checks the product at regular intervals to ensure that it is in good working order, services the device repairs it or expands and upgrades the device.	Product already in use and requiring servicing.

2.2 General safety precautions

- Read the general safety precautions before operating the device.
- Keep this document for reference.
- Always pass this document on together with the product.
- Please also take into account any additional country-specific, local safety standards or regulations concerning project planning, operation and disposal of the product.

Damage to the device due to electrostatic discharge (ESD)

- Always use wrist straps or similar connected to earth.

Damage due to unsuitable mounting location

- The device should only be used for indoor applications.

3 Standards and guidelines

3.1 EU directives

This product complies with the requirements of the European Directives. The EU declaration of conformity is available from:

Vanderbilt International (IRL) Ltd.
Clonshaugh Business and Technology Park
Clonshaugh
Dublin 17
Ireland

4 Technical data

	CD30
Operating voltage	Two Lithium 9V type 6LR61 batteries (not included). For a safe function we strongly recommend the use of our batteries Ultralife UL9V with 9V, 1200 mAh and sustaining minimum 400 mA peak current.
Operational time	Approx. one year
Number of codes	Nine 4-digit
Indicators	3 x LED (red/yellow/green) 1 x buzzer
Operating temperature	0 to +50 °C
Environment	Indoor use only
IP rating	IP30
Colour	Stainless steel
Dimensions (W x H x D)	285 x 64 x 59 mm
Weight	0.76 kg
Approval	CE

NOTE

Lithium batteries must be used because they provide the following advantages:

- The capacity is constant throughout battery life.
- Longer battery life reduces the environmental impact as fewer batteries are needed.
- Battery storage life can be up to ten years.



5 Details for ordering

Type	Order No.	Designation	Weight
CD30	V54521-C101-A100	Codoor	0.76 kg

6 Package contents

Check that you have the following parts before discarding the packing materials:

- 1 x CD30 (batteries excluded).
- 4 extension sleeves for handle nipples (use only one pair, M4 or M5).
- 1 x reinforcing spring.
- 1 x reinforcing spring holder.

7 Description of Equipment

7.1 General use

The CD30, a complete code lock suitable for fitting to a single door, incorporates an electronic code lock, a mechanical locking device and a power unit in the same housing. When CD30 is fitted, the outside door handle is disengaged and may be pressed down without opening the door. To open the door, a 4-digit code has to be entered. The handle on the inside of the door is not affected by CD30, and works normally for people leaving the premises.

7.2 Mounting

The CD30 may be fitted on most doors with handle operated ASSA modular type mortise locks. See 9 *Mounting* for more information.

When fitted, the external handle is inoperable until a valid code is entered. The internal handle is not affected and will retract the latch bolt as required.

7.3 Keypad

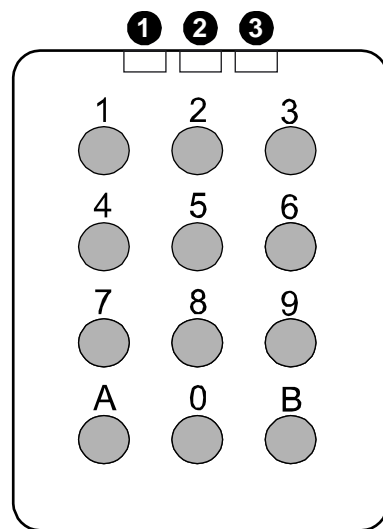


Fig. 1 Keypad CD30

❶	Red LED.
❷	Yellow LED.
❸	Green LED.
0-9	Are used for entering codes and/or programming.
A/B	Are used only for programming.

In this manual three symbols illustrate how the LEDs are used:

○ = OFF

● = ON

★ = Flashing

7.4 LED Status at battery warning

★ ○ ○	First warning level for low battery: Flashing LED and a delay of the unlocking.
★ ○ ○	Second warning level for low battery: Fast flashing LED on each key press. Door can be opened only with Administrator code.

7.5 Buzzer

CD30 also incorporates a buzzer to confirm each key press (if required).

The buzzer also sounds to confirm successful programming.

8 Change Administrator code

8.1 Present Administrator code is known



NOTE

- The Administrator code cannot be the same as the code 112186 to erase the memory. See section *11 Erase memory*.
 - If you are in administrator mode and don't press a key the device will automatically leave the administrator mode after 30 seconds.
-

CD30 is delivered with the default Administrator code set as 112233.

1. Press B.
→ ○ ○ *
2. Enter the 6-digit Administrator code.
→ * * *
3. Press A27.
→ The buzzer sounds a confirm tune.
→ ● ● ●
4. Enter a new 6-digit Administrator code.
→ The buzzer sounds a confirm tune.
5. Verify by entering the same Administrator code again.
→ CD30 exits at the Administrator mode.
→ * * *
6. Make a note of the Administrator code.

8.2 Present Administrator code is not known



NOTE

- The Administrator code cannot be the same as the code 112186 to erase the memory. See section 11 *Erase memory*.
- If you are in administrator mode and don't press a key the device will automatically leave the administrator mode after 30 seconds.

1. Remove the CD30 from the door.
2. **Quickly** press the reset button on the back of the CD30.

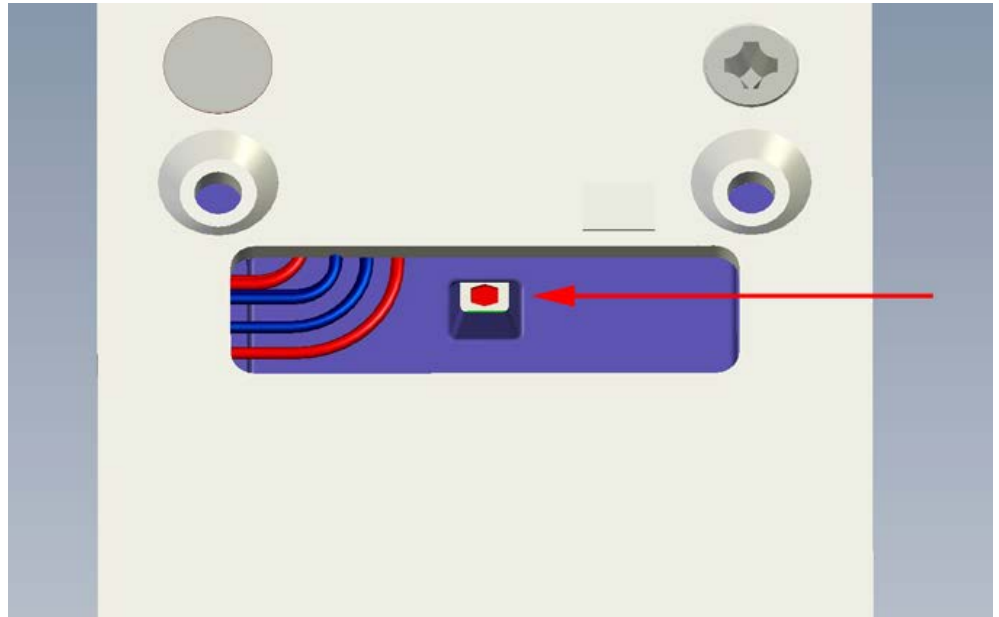


Fig. 2 Reset button on the back

- The buzzer sounds a confirm tune.
 - * * *
3. Enter the desired 6-digit Administrator code.
 - The buzzer sounds a confirm tune.
 4. Verify by entering the same Administrator code again.
 - The buzzer sounds a confirm tune.
 - If the second input doesn't match the first input the buzzer will sound a error tone and the Administrator code will not be changed.
 5. Make a note of the Administrator code.

9 Mounting

9.1 Technical details



NOTE 1

Do not mount two CD30 units back to back on one door. They cannot both control the latch.

- CD30 is suitable for most doors with handle-operated mortise locks.
- The distance between the centre of the handle and the centre of the cylinder should be between 105 – 116 mm.
- Latchbolt function.
- The handle must have an 8 mm square spindle.
- The handle's fixing holes should be at 30 – 38 mm centres (diagonal).
- The CD30 can be used with a variety of locks such as ASSA 8561 or 565 – but not the ASSA 410 series.
- The backset should be 70 mm.

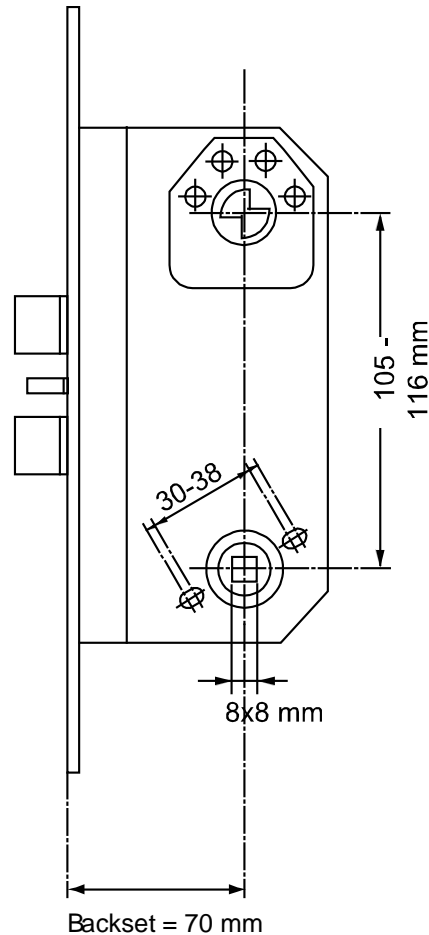


Fig. 3 CD30 door mounting

9.2 Fitting CD30 to the door



1



2



3



4



5



6

1. Check that the Administrator code has been set. See section 8 *Change Administrator code*.
2. Make sure you have the following tools handy:
 - Screwdriver for door handle and cylinder ring screws.
 - Hacksaw for trimming lever handle spindle.
3. Remove the cylinder ring and door handle from the door by loosening the four screws. See figure 1.
4. Ensure that the handle spindle does not project more than 20 mm on the outside of the door. If the spindle is too long, push it through into the handle on the inside. If this cannot be done, cut the spindle to the right length. See figure 2.
5. Prepare the handle by extending the screws with the supplied extension sleeves (M4 or M5). See figure 3.
6. Place the CD30 on the outside of the door with the handle attached, and pass the lever handle spindle through the square hole. See figure 4.
7. Ensure that the red mark on the follower point downwards. See figure 5.
8. Tighten the four previously loosened screws to the nipples (the screws for the handle first). These should be just firm. Over-tightening may distort the lock structure so that it jams. See figure 6.
9. Test the mechanical function of the CD30. See section 9.2.1 *Test mechanical function of CD30*.

9.2.1 Test mechanical function of CD30

- It must always be possible to open the door from the inside.
- The handle on the outside should not be engaged, and should not open the door until the correct code is entered.
- When the correct code is entered, the handle on the outside should activate the lock, but only once. As the handle is released, it should again disengage.
- If the correct code is entered but the handle is not pressed down, the CD30 should automatically disengage the handle after about 4 seconds.
- The handle on the outside must not be jammed in any position, and should spring back up completely after being pressed down.

9.3 Change batteries

When the unit's batteries run flat the CD30 will cease to release the latch so the unit should be fitted with cylinder override. The lock has a backup power supply that will allow the door to be opened a limited number of times, but the batteries should be replaced as soon as the low battery warning is noticed. See sections *10.3 Disable/enable buzzer* and *12.4 Backup power supply*.

1. Remove the CD30 from the door.
2. Remove the two batteries from the rectangular shaped holes on the lower part of the back of the unit (to power off the unit).
3. Always change both batteries at the same time. See section *4 Technical data*.
4. Re-mount the CD30.

10 Programming

10.1 Set Group code

Up to nine 4-digit codes can be programmed into the CD30. The ninth code can also be used to unlock/lock the door.

10.1.1 Enter Group code



NOTE

If you have entered the wrong Axx command (e.g. in step 3 below) you can abort the command and exit to Administrator mode by pressing A again.

Nine 4-digit Group codes can be set. Each Group code needs to be assigned a code number (1-9).

Note that the code 0000 cannot be used as group code because it is used for deleting existing group codes. See *10.1.3 Delete Group code*.

1. Press **B**.
→ ○ ○ *
2. Enter the 6-digit Administrator code. See section *8 Change Administrator code*.
→ * * *
3. Press **A21**.
→ The buzzer sounds a confirm tune.
→ ● ○ ●
4. Enter the desired 1-digit code number (1-9).
→ The buzzer sounds a confirm tune.
→ ● ○ ●
5. Enter the desired 4-digit Group code.
→ The buzzer sounds a confirm tune.
→ ● ○ ●
6. To set another Group code, follow steps 4-5.
7. Press B to enter the Administration mode.
8. Press B to leave the Administration mode.

Codes					
Code 1:		Code 4:		Code 7:	
Code 2:		Code 5:		Code 8:	
Code 3:		Code 6:		Code 9:	

10.1.2 Change Group code

1. Press **B**.
→ ○ ○ ★
2. Enter the 6-digit Administrator code. See section 8 *Change Administrator code*.
→ ★ ★ ★
3. Press **A21**.
→ The buzzer sounds a confirm tune.
→ ● ○ ●
4. Enter the desired 1-digit code number (1-9).
→ The buzzer sounds a confirm tune.
→ ● ○ ●
5. Enter the desired 4-digit Group code.
→ The buzzer sounds a confirm tune.
→ ● ○ ●
→ The existing Group code will be over-written.
6. To change another Group code, follow steps 4-5.
7. Press **B** to enter the Administration mode.
8. Press **B** to leave the Administration mode.

10.1.3 Delete Group code

1. Press **B**.
→ ○ ○ ★
2. Enter the 6-digit Administrator code. See section 8 *Change Administrator code*.
→ ★ ★ ★
3. Press **A21**.
→ The buzzer sounds a confirm tune.
→ ● ○ ●
4. Enter the desired 1-digit code number (1-9).
→ The buzzer sounds a confirm tune.
→ ● ○ ●
5. Enter **0000**.
→ The buzzer sounds a confirm tune.
→ ● ○ ●
6. To delete another Group code, follow steps 4-5.
7. Press **B** to enter the Administration mode.
8. Press **B** to leave the Administration mode.

10.2 Lock/unlock door

Unlock door

1. Press **A1A**.
 - The buzzer sounds a confirm tune.
 - ○ ● ○
2. Enter the group code stored as the 9th code (four digits).
 - The buzzer sounds a confirm tune.
 - ○ ○ ●
3. Open the door.

Lock door

1. Press **A0A**.
 - The buzzer sounds a confirm tune.
 - ○ ● ○
2. Enter the group code stored as the 9th code (four digits).
 - The buzzer sounds a confirm tune.
 - The door is now locked.
 - CD30 returns to normal operation.

10.3 Disable/enable buzzer

The default setting is for the buzzer to sound as each key is pressed. Change if silent operation is required.

1. Press **B**.
 - ○ ○ ★
2. Enter the 6-digit Administrator code. See section 8 *Change Administrator code*.
 - ★ ★ ★
3. Press **A65**.
 - The buzzer sounds a confirm tune.
 - ● ● ●
4. To enable press **1**.
 - or -
 - To disable press **0**.
 - The buzzer sounds a confirm tune.
 - The CD30 returns to the Administrator mode.
5. Press **B** to leave the Administrator mode.

11 Erase memory

In cases where the CD30 is moved to another door (with new users), old codes should not remain. The best way to ensure this is to erase the memory.

1. Remove the CD30 from the door.
2. Press and hold the reset button on the back of the CD30 for at least 2 seconds.
 - The buzzer sounds a confirm tune.
 - * * *

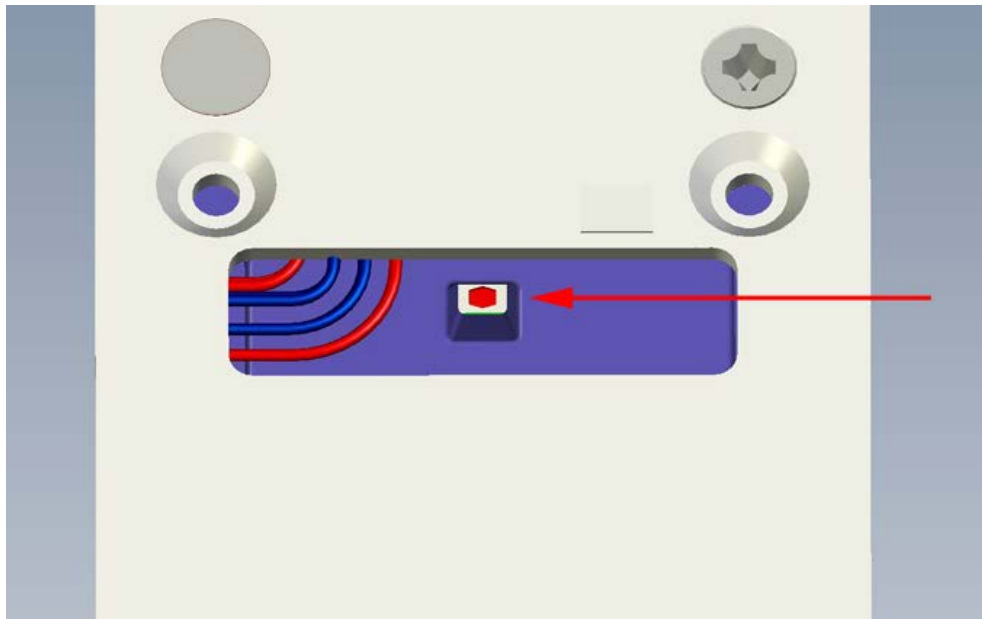


Fig. 4 Reset button on the back

3. Press **112186**.
 - The buzzer sounds a confirm tune.
 - The buzzer sounds a warning tone to alert that you are about to erase the memory.
 - * * *
4. Press **112186**.
 - The buzzer sounds a confirm tune.
 - ○ ○ ○
 - The memory is erased.
 - The CD30 is in default mode with the following default settings:
 - Administrator code: 112233
 - The Administrator code can also be used for unlocking the door.
 - All memory locations are empty.
 - Buzzer on.

12 Operation

12.1 Leaving the premises

The CD30's mechanical locking device only affects the outside door handle. The door can always be opened from the inside as usual.

12.2 Automatic resetting

CD30 has two separate resetting systems to return the lock to the locked position after a code has been entered. The lock is reset mechanically each time the door handle is used during access. The lock is also electronically reset if the handle is not used within 4 seconds after a code being entered.

This provides security against unauthorised access, since the CD30 can never accidentally be left in the unlocked position.

12.3 Access blocking

To eliminate attempts to obtain an access code by trial and error, CD30 incorporates a blocking function to disable the unit after 12 false key presses (three successive incorrect 4-digit codes). The unit remains blocked until 2 correct codes are entered successively.

12.4 Backup power supply

When the batteries are running low, CD30 will flash the red LED for 3 seconds before opening the lock. The lock has a backup power supply that will allow the door to be opened 200 times or a time of two weeks has passed.

After the door has been opened 200 times the only way to open the door is with the Administrator code.

13 Command overview

Command	1.	2.	3.	4.	5.	6.	7.
Change Administrator code							
Change Administrator code (Present Administrator code is known)	Press B.	Enter the 6-digit Administrator code.	Press A27.	Enter a new 6-digit Administrator code.	Verify by entering the same Administrator code again.	Make a note of the Administrator code.	
Change Administrator code (Present Administrator code is not known)	Remove the CD30 from the door.	Press quickly the reset button on the back of the CD30.	Enter the desired 6-digit Administrator code.	Verify by entering the same Administrator code again.	Make a note of the Administrator code.		
Change Group code							
Enter Group code Change group code	Press B.	Enter the 6-digit Administrator code.	Press A21.	Enter the desired 1-digit code number (1-9).	Enter the desired 4-digit Group code.	Press B to enter the Administration mode.	Press B to leave the Administration mode.
Delete Group code	Press B.	Enter the 6-digit Administrator code.	Press A21.	Enter the desired 1-digit code number (1-9)	Enter 0000.	Press B to enter the Administration mode.	Press B to leave the Administration mode.
Unlock/Lock door							
Unlock door	Press A1A.	Enter the group code stored as the 9th code (four digits).					
Lock door	Press A0A.	Enter the group code stored as the 9th code (four digits).					
Buzzer enable/disable							
Disable buzzer	Press B.	Enter the 6-digit Administrator code.	Press A65.	To enable press 0.	Press B to leave the Administration mode.		
Enable buzzer	Press B.	Enter the 6-digit Administrator code.	Press A65.	To disable press 1.	Press B to leave the Administration mode.		
Erase memory							
Erase memory	Remove the CD30 from the door.	Press the reset button on the back of the CD30.	Press 112186.	Press 112186.			

14 Troubleshooting

Symptom	Remedy
Lock does not open when Group code/PIN is entered.	<ul style="list-style-type: none"> ● Check that the correct Group code/PIN has been entered. ● Make sure the handle is not pressed down as the code is entered ● Check that the handle is not sagging. ● Check that CD30 is fitted exactly vertical. ● Check that the lock is not fitted too tightly to the door, in which case the handle could be jammed. ● Check that the red mark on the follower for the lever handle spindle is pointing downwards.
CD30 is in unlocked position	<ul style="list-style-type: none"> ● Set CD30 to locked position (if required). See section <i>10.2 Lock/unlock door</i>.
CD30 does not sound following key presses.	<ul style="list-style-type: none"> ● Activate the buzzer. See section <i>10.3 Disable/enable buzzer</i>. ● Check the batteries and change any discharged batteries. See section <i>9.3 Change batteries</i>.
Batteries are rapidly discharged.	<ul style="list-style-type: none"> ● Frequent use requires frequent change of batteries. See section <i>9.3 Change batteries</i>. ● Check whether the handles returning to the horizontal position.

15 Glossary

	Definition
Access group	a number of users sharing the same access level
Administrator code	a combination of alphanumeric characters that an administrator possesses for verification of identity
Group code	a combination of numeric character that an access group possesses for verification of identity

16 Keyword index

A

Administrator code, 10

B

Backup power supply, 19

battery warning, 9

Buzzer, 9, 17

C

Change Administrator code, 10

Existent code known, 10

Existent code not known, 11

Change batteries, 14

D

Description of Equipment, 8

Details for ordering, 7

Disable/enable buzzer, 17

E

Erase memory, 18

F

Fitting CD30 to the door, 13

G

Group code, 15

~ change, 16

~ delete, 16

~ set, 15

K

Keypad, 8

L

Lock/unlock door, 17

M

Memory, 18

Mounting, 8, 12

Fitting CD30, 13

Test mechanical funktion, 14

O

Operation, 19

P

Package contents, 7

S

Safety, 5

Service description, 5

Standards and guidelines, 6

T

Target group, 5

Technical data, 6

Test mechanical function of CD30, 14

Troubleshooting, 21

VANDERBILT

CD30 Codoor

Konfigurationshandbok

Data och konstruktion kan komma att ändras utan föregående meddelande. / Leverans i mån av tillgång.
Data and design subject to change without notice. / Supply subject to availability.

© 2016 Copyright Vanderbilt International (IRL) Ltd.

Alla rättigheter till detta dokument och till föremålet för det förbehålles. Genom att acceptera dokumentet erkänner mottagaren dessa rättigheter och förbinder sig att inte publicera dokumentet, eller föremålet därför, helt eller delvis, och att inte göra dem tillgängliga för tredje part utan skriftligt tillstånd från oss, och att inte använda dem för något annat syfte än det för vilket de levererats.

We reserve all rights in this document and in the subject thereof. By acceptance of the document the recipient acknowledges these rights and undertakes not to publish the document nor the subject thereof in full or in part, nor to make them available to any third party without our prior express written authorization, nor to use it for any purpose other than for which it was delivered to him.

Om detta dokument

Denna **konfigurationshandbok** innehåller instruktioner om hur du installerar, ställer in, konfigurerar och använder CD30.

Varumärken

Alla produkter eller företagsnamn som omnämns i den här handboken enbart i identifierande eller beskrivande syfte och kan vara varumärken eller registrerade varumärken som tillhör respektive ägare.

Kontakta oss

Om du har frågor eller förslag angående produkten eller denna dokumentation, kontakta din lokala Vanderbilt representant.

Du kan också besöka vår webbsida på www.vanderbiltindustries.com.

Utbildning

Vanderbilt erbjuder utbildning för alla produkter.

Indhold

1	Produktbeskrivelse	27
2	Sikkerhed.....	27
2.1	Målgruppe	27
2.2	Alment omkring sikkerhed.....	27
3	Standarder og retningslinier	28
3.1	EU-direktiv.....	28
4	Tekniske data	29
5	Bestilling	30
6	Pakkens indhold.....	30
7	Beskrivelse af produkt	31
7.1	Alment	31
7.2	Montering	31
7.3	Tastatur	31
7.4	Lysdiode status ved batteriadvarsel.....	32
7.5	Summer.....	32
8	Ændre Programmeringskode.....	33
8.1	Eksisterende kendt programmeringskode.....	33
8.2	Eksisterende ukendt programmeringskode.....	34
9	Montering	35
9.1	Tekniske detaljer	35
9.2	Installerer CD30 i døren	36
9.2.1	Test den mekaniske funktion af CD30	37
9.3	Udskiftning batterier	37
10	Programmering	38
10.1	Indstil gruppekode	38
10.1.1	Oplys Gruppekode.....	38
10.1.2	Ændre gruppekode.....	39
10.1.3	Slet gruppekode.....	39
10.2	Lås/oplås døren	40
10.3	Inaktivere/aktivere summeren.....	40
11	Fabriksindstilling.....	41
12	Anvendelse	42
12.1	Udpassage.....	42
12.2	Automatisk reset.....	42
12.3	Blokering.....	42
12.4	Reservestrøm.....	42
13	Oversigt kommandoer	43
14	Problem løsning.....	44
15	Ordliste forklaring.....	44
16	Index.....	45

1 Produktbeskrivelse

CD30 er et skandinavisk adgangskontrol produkt. CD30 er en komplet kodelås for en dør og indeholder elektronisk kodelås, mekanisk låsekopling og strømforsyning i samme kapsling.

2 Sikkerhed

2.1 Målgruppe

Håndbogen læsere	Kvalifikationer	Opgaver	Produktstatus
Installatør	Teknisk uddannelse for byggeri- eller elinstallationer.	Installerer produkten,	Komponenterne i produktet endnu ikke installeret eller ændring af funktion
Idriftsætningspersonale	Specialundervisning på produktet nødvendig	Idriftsætter produktet første gang eller ændre den nuværende konfiguration	Produktet er installeret men endnu ikke konfigureret eller den nuværende konfigurationen behøves ændret.
Vedligehold	Specialundervisning på produktet nødvendig	Kontrollerer produktet regelmæssigt for at sikre en god funktion, udfører vedligehold f.eks. udsiftning af batterier.	Produktet er i drift og behøver vedligeholdelse

2.2 Almen sikkerhedsanvisning

- Læs afsnittet om almene sikkerhedsforskrifter inden enheden sættes i drift.
- Anvend dette dokument som referense.
- Dette dokument skal altid medfølge produkt.
- Det er vigtigt at tage hensyn til andre yderligere landesspecifikke, lokale sikkerhedsforeskrifter og regler gældende projektplanlægning, drift og kassering af produkt.

Produktskade af følge af elektrostatisk udladning (ESD)

- Anvend altid armbånd eller lignende forbundet til jord.

Skade til følge af montering på ikke egnet område

- Enheden skal altid kun anvendes indendørs

3 Standarder og retningslinier

3.1 EU-direktiv

Dette produkt opfylder kravet med hensyn til de europæiske direktiver. EU-forklaring om overensstemmelser kan bestilles fra:

Vanderbilt International (IRL) Ltd.
Clonshaugh Business and Technology Park
Clonshaugh
Dublin 17
Ireland

4 Tekniske data

CD30	
Strømforsyning	To lithium batterier, 9V. Typ: 6LR61 (ikke inkluderet). For sikker funktion anbefaler vi stærkt anvendelse af vores batterier Ultralife UL9V med 9V, 1200 mAh og som klare mindst 400 mA maks. strøm.
Drifttid på batteri	Ca. 1 år
Antal koder	Ni 4 cifret koder
Indikatorer	3 x lysdioder (rød/gul/ grøn) 1 x summer
Drifttemperatur	0 - +50 °C
Omgivelse	Indendørs
IP-mærkning	IP30
Farve	Rustfrit stål
Mål (H x B x D)	245 x 64 x 59 mm
Vægt	0.76 kg

OBS!**Lithiumbatterier skal anvendeså de har følgende fordele:**

- Kapaciteten er konstant under hele batteriets levetid.
- Længere batteri levetid er mindre belastende for miljøet da færre batterier anvendes
- Batteriet kan opbevares i op til 10 år



5 Bestilling

Type	Bestillingsnr.	Navn	Vægt
CD30	V54521-C101-A100	Codoor	0,76 kg

6 Pakkens indhold

Kontroller at du har fået følgende dele inden du kaserer pakningsmaterialet:

- 1 x CD30 (eksklusiv batterier).
- 4 forlænger hylster for håndtagets skruer (anvend kun et par M4 eller M5).
- 1 x forstærkningsfjeder.
- 1 x forstærkningsfjederholder.

7 Beskrivelse af enhed

7.1 Alment

CD30 er en komplet kodelås for en dør og indeholder elektronisk kodelås, mekanisk låsekopling og strømforsyning under samme kapsling. Når Codoor er monteret frigøres det udvendige dørhåndtag og det kan trykkes ned uden at døren åbner. For passering anvendes en 4-cifret kode. Ved udpasning fungerer det indre håndtag som vanlig, eftersom detta ikke påvirkes af Codoor.

7.2 Montering

CD30 kan monteres på de fleste dører med ASSA modulære fallåse. Se afsnit 9 *Montering* for mere information

Når monteret, er det udvendige håndtag uanvendeligt indtil der gives gyldig kode. Dørhåndtaget på indvendig side påvirkes ikke og låsrigel kan altid åbnes indefra.

7.3 Tastatur

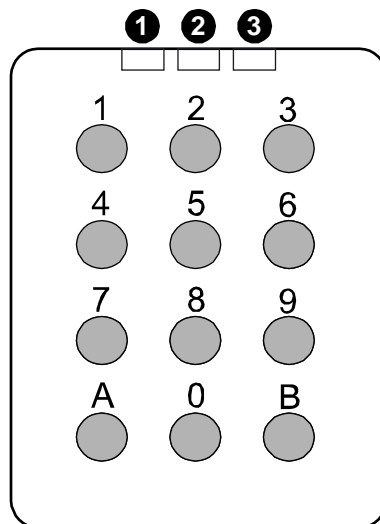


Fig. 1 Tastatur for CD30

❶	Rød lysdiode
❷	Gul lysdiode
❸	Grøn lysdiode
0-9	Anvendes for indtastning af koder og/eller programmering.
A/B	Anvendes kun for programmering.

I den her håndbog angives følgende tre symboler lysdioder funktioner:

○ = AF

● = PÅ

★ = Blinker

7.4 Lysdiodestatus ved batterivarsel

★ ○ ○	Første varsel om lavt batteri. Blinkende lysdiode samt en forsinkelse af oplåsningen.
★ ○ ○	Anden varselsniveau for svagt batteri. Hurtig blinkende lysdiode ved hver knaptrykning. Døren kan kun åbnes med programmeringskode.

7.5 Summer

CD30 har også en summer som bekræfter hvert tastetryk (hvis det ønskes).

Summeren giver også et signal som angiver at programmeringen gået ok.

8 Ændre programmeringskode

8.1 Eksisterende kendte programmeringskode

**OBS!**

- Programmeringskode kan ikke være den samme kode, som anvendes til Fabriksindstillinger (112186). Se afsnit 11 *Fabriksindstillinger*.
 - Om du er administrator og ikke trykker på nogen tast i 30 sekunder forlades programmeringstilstand automatisk
-

CD30 leveres med standard programmeringskode 112233.

1. Tryk på B.
→ ○ ○ *
2. Angiv den 6 cifret kode.
→ * * *
3. Tryk A27.
→ Summeren giver en signal for at bekræfte
→ ● ● ●
4. Angiv en ny 6-cifret Programmeringskode
→ Summeren giver signal for at bekræfte.
5. Bekræft ved at indtaste programmeringskode igen
→ CD30 forlader programmeringsmode.
→ * * *
6. Noter programmeringskode.

8.2 Eksisterende programmeringskode

ukendt



OBS!

- Programmeringskode kan ikke være den samme kode, som anvendes til Fabriksindstillinger (112186). Se afsnit 11 Fabriksindstillinger.
- Om du er administrator og ikke trykker på nogen tast i 30 sekunder forlades programmeringstilstand automatisk

1. Tag CD30 af døren.
2. Tryk hurtigt på reset knap bagpå CD30.

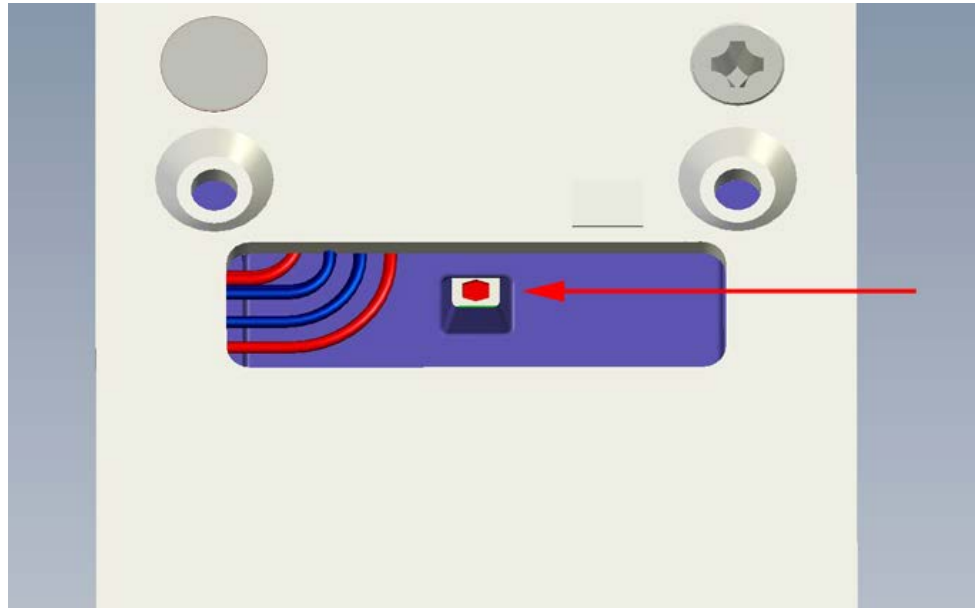


Fig. 2 Reset knap på bagside

- Summeren giver signal for bekræftelse
 - * * *
3. Angiv en 6-cifret programmeringskode.
 - Summeren giver signal for bekræftelse.
 4. Verificere ved at indtaste programmeringskode igen.
 - Summeren giver signal for bekræftelse
 - hvis anden kode ikke er den samme som den første afgives fejl signal og programmeringskode gemmes ikke.
 5. Notere programmeringskode ned.

9 Montering

9.1 Tekniske detaljer


OBS!

Montere ikke 2 CD30 på samme dør. Der er kun en der kan styre låsen.

- CD30 kan anvendes på de fleste dører med håndtagsreglede fallås.
- Afstanden mellem midten på håndtag og midten af cylinder skal være mellem 105 – 116 mm.
- Regellåsfunktion.
- Vredet skal have en 8 mm kantspindel.
- Vredets fix hul ska være mindst 30 – 38 mm i diameter.
- CD30 kan anvendes med flere forskellige typer låse så som ASSA 8561 eller 565 –men ikke ASSA 410 serien.
- Indpasningen ska vara 70 mm.

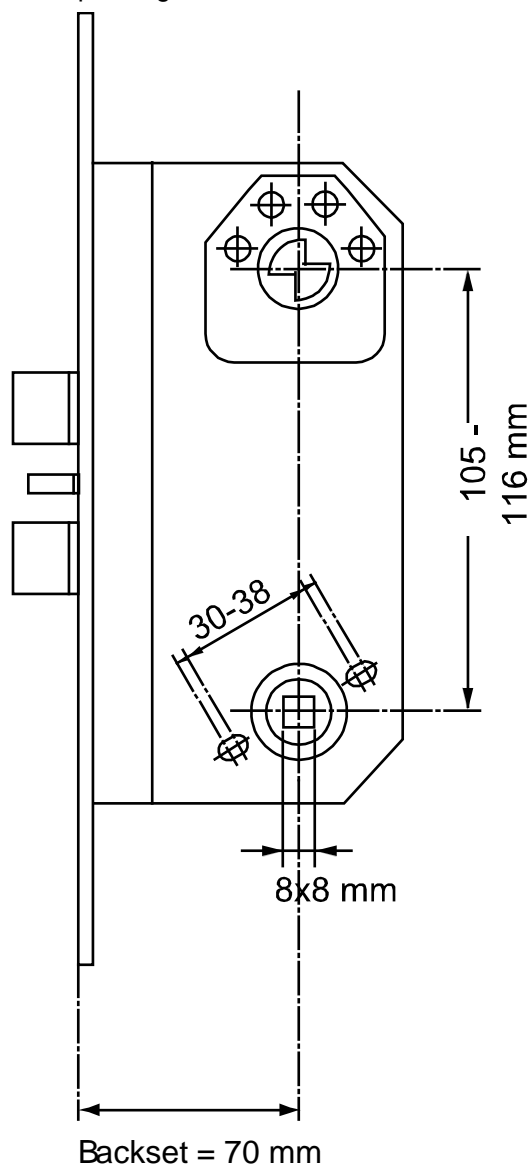


Fig. 3 CD30 dørmontering

9.2 Installerer CD30 i døren



1. Kontroller at programmeringskode er indlæst. Se afsnit 8 *ændre programmeringskode*.
2. Sørg for følgende værktøj til rådighed:
 - Skruetrækker for skruerne til håndtag og cylinderring.
 - nedstryger for tilpasning af håndtagets spindel.
3. Fjern cylinderringen og håndtaget fra døren ved at løsne de 4 skruer. Se figur 1.
4. Sørg for at håndtagets spindel ikke stikker mere ud end 20 mm på udvendige side af dør. Hvis spindeln er for lang, tryk den ind i i håndtaget på indvendig side. Hvis dette ikke fungerer skæres spindel til i rette længde. Se figur 2.
5. Forbered håndtaget ved at forlænge skruerne med de medfølgende forlængere (M4 eller M5). Se figur 3.
6. Placer CD30 på udvendige side af døren med håndtaget på plads og før håndtags spindel igennem dets firkantede hul. Se figur 4.
7. Sikre at den røde markering på indføring altid peger nedaf. Se figur 5.
8. Spænd fast de tidligere løsnede fire skruer igen (begynd med skruerne i håndtaget). Disse skal sidde meget fastspændt. Om skruerne trækkes for hårdt kan dette gøre at håndtaget sætter sig fast. Se figur 6.
9. Test den mekaniske funktion for CD30. Se afsnit 9.2.1 *Test den mekaniske funktionen af CD30*.

9.2.1 Test den mekaniske funktionen af CD30

- Det skal altid være muligt at åbne døren indefra.
- Håndtaget på ydersiden skal ikke kunne åbne dør, før gyldig kode er indtastet
- Når rigtig kode er indtastet, skal udvendig håndtag aktivere lås, men kun en gang. Når man slipper håndtag skal håndtag være frigjort igen, indtil rigtig kode indtastes
- Hvis rigtig kode tastes og man ikke rører håndtag skal håndtag frigives efter 4 sek.
- Håndtaget på ydersiden må ikke gå stramt og kunne sætte sig fast i nogen positioner.

9.3 Udskiftning af batterier

Når batterierne i enheden går døde, ophører CD30 med at frigøre rigelen så enheden bør forseres med cylinderlåsfunktion. Låsen har en nødstrømsforsyning som gør det muligt at åbne døren et begrænset antal gange, men batterierne skal udskiftes så snart batteriindikator observeres.. Se afsnittet, *10.3 Inaktivere/aktivere summeren* og *12.4 Nødstrøm*.

1. Tag CD30 af døren.
2. Fjern de 2 batterier nederst på enhed (så enhed bliver strømløs).
3. skift altid begge batterier samtidig. Se afsnit *4 Tekniske data*.
4. Genmonter CD30.

10 Programmering

10.1 Indstil gruppekode

Op til ni 4cifret gruppekoder kan programmeras i CD30. Den niende kode kan også anvendes for oplåsning/låsning af dør.

10.1.1 Indtast gruppekode



OBS!

Hvis du angiver en forkert Axx-kommando kan du afslutte kommandoen og gå ud af programmeringstilstand ved at trykke A igen.

Ni 4-cifret gruppekoder kan lægges ind. Hver gruppekode skal tildeles et kode nummer (1-9).

Noter at 0000 ikke kan anvendes som gruppekode, da denne bruges til at slette en kode. Se 10.1.3 Slet gruppekode.

1. Tryk på **B**.
→ ○ ○ *
2. Indtast den 6-cifrede programmeringskode. Se afsnit 8 ændre programmeringskode.
→ * * *
3. Tryk på **A21**.
→ Summeren bekræfter indtastning
→ ● ○ ●
4. Indtast et 1-cifret kodenummer (1-9).
→ Summeren bekræfter indtastning
→ ● ○ ●
5. Indtast ønskede gruppekode 4 cifre
→ Summeren bekræfter indtastning
→ ● ○ ●
6. For at indtaste flere gruppekoder Gentag 4-5.
7. Tryk **B** for at gå tilbage i Programmeringstilstand
8. Tryk **B** for at afslutte programmering

Koder					
Kode 1:		Kode 4:		Kode 7:	
Kode 2:		Kode 5:		Kode 8:	
Kode 3:		Kode 6:		Kode 9:	

10.1.2 Ændre gruppekode

1. Tryk på **B**.
→ ○ ○ *
2. Indtast den 6-cifret programmeringskode.

→ * * *
3. Tryk **A21**.
→ Summeren bekræfter valg
→ ● ○ ●
4. Indtast et 1-cifret kodenummer (1-9).
→ Summeren bekræfter valg.
→ ● ○ ●
5. Indtast ønskede 4-cifret gruppekod.
→ Summeren bekræfter valg.
→ ● ○ ●
→ Den eksisterende gruppekod overskrives.
6. For at skifte flere gruppekoder, Gentag 4-5.
7. Tryk **B** fgår tilbage til programmeringstilstand.
8. Tryk **B** forlad programmering.

10.1.3 Slet gruppekode

1. Tryk på **B**.
→ ○ ○ *
2. *Indtast 6 cifret programmeringskode*

→ * * *
3. Tryk **A21**.
→ Summeren afgiver signal.
→ ● ○ ●
4. Indtast 1-cifret kodenummer (1-9).
→ Summer afgiver signal.
→ ● ○ ●
5. Indtast **0000**.
→ Summeren afgiver signal for at bekræfte
→ ● ○ ●
6. For at slette yderligere gruppekoder ,'gentag4-5.
7. Tryk **B** for at gå tilbage til programmeringstilstand
8. Tryk **B** for at forlade programmering

10.2 Lås/oplås døren

Oplås døren

1. Tryk **A1A**.
 - Summer bekræfter valg.
 - ○ ● ○
2. Indtast den kode som er angivet som niende kode (4cifre).
 - Summer bekræfter valg
 - ○ ○ ●
3. Åben dør.

Lås dør

1. Tryk **A0A**.
 - Summer bekræfter valg.
 - ○ ● ○
2. Indtast den kode som er angivet som niende kode (4cifre).
 - Summer bekræfter valg.
 - Døren er nu låst
 - CD30 er i normal tilstand.

10.3 Deaktivere/aktivere summer

Standard indstilling er at summer aktiveres ved tastetryk. Hvis dette ikke ønskes

1. Tryk på **B**.
 - ○ ○ ★
2. Indtast den 6 cifret programmeringskode
.
 - ★ ★ ★
3. Tryk **A65**.
 - Summer bekræfter valg.
 - ● ● ●



For at aktivere, tryk **1**.

- eller -

For at deaktivere tryk **0**.



Summer bekræfter valg.



CD30 er i programmeringstilstand

5. Tryk på **B** for at forlade programmering

11 Fabriksindstilling

Inden du flytter CD30 til en anden dør med nye brugere, bør du lave en fabriksindstilling.

1. Nedtag CD30 fra døren.
2. Tryk og hold resetknop nede i mindst 2 sekunder.
 - Summer bekræfter valg

→ * * * *

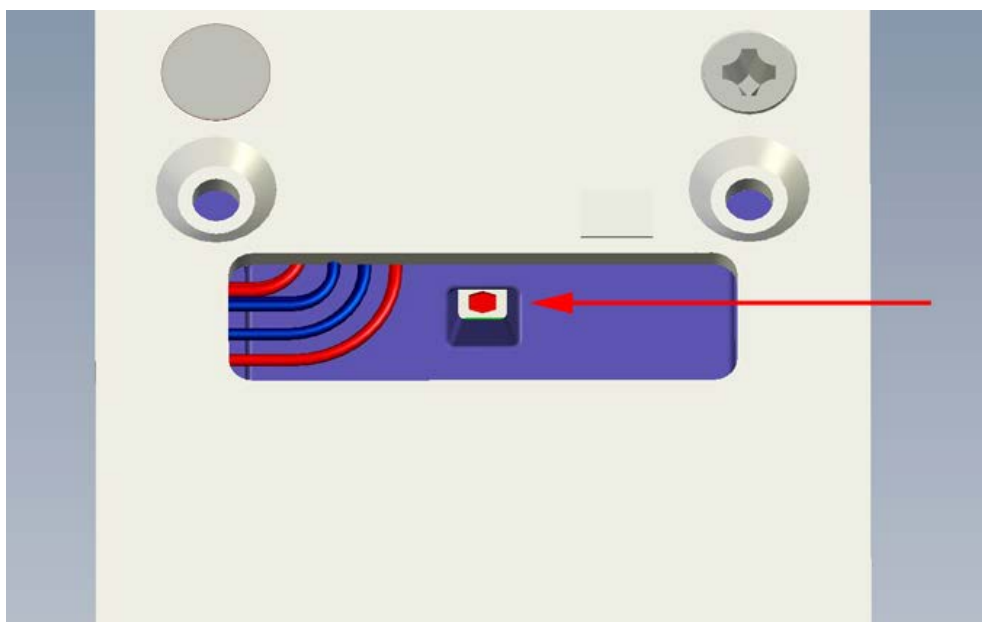


Fig. 4 Resetknop på bagside

3. Indtast **112186**.
 - Summer bekræfter valg.
 - Summer giver varselstone for at advare om fabriksindstilling

→ * * * *

4. Indtast **112186**.
 - Summer bekræfter valg.
 - ○ ○ ○
 - CD30 er resat
 - CD30 er i default opsætning og har følgende koder:
 - Programmeringskode: 112233
 - Programmeringskode kan også anvendes for oplåsning.
 - Alle Brugerkode er tomme
 - Summer på.

12 Anvendelse

12.1 Udpassage

CD30:s mekaniske låsenhed fungerer kun på udvendige side. Det indvendige håndtag kan altid anvendes som normalt

12.2 Automatisk retur

CD30 har to separate returindstillinger for at sætte låsen til låst tilstand når en kode indtastes. Låsen går retur mekanisk hver gang håndtaget trykkes ned for passage. Låsen går retur elektronisk hvis håndtaget ikke trykkes ned inden 4 sekunder efter at en kode er anvendt.

Dette sikrer at døren aldrig efterlades i ulåst tilstand ved normalt brug

12.3 Blokering af tastatur

For at forhindre man kan taste sig adgang blokeres tastatur efter 12 gentagne forkerte koder og frigives først igen efter to korrekte koder efterfulgt af hinanden

12.4 Nødstrøm

Når batterier bliver dårlige, blinker den røde lysdiode på CD30 i 3 sekunder inden låsen åbnes. Låsen har en reservestrømforsyning som gør at døren stadig kan åbnes 200 gange eller at en tid af to uger er gået.

Efter at døren er blevet åbnet 200 gange kan døren kun åbnes af Programmeringskode (Ved dårlige batterier)

13 Kommandoer

Kommando	1.	2.	3.	4.	5.	6.	7.
Ændre programmeringskode							
Ændre kendt programmeringskode	Tryk på B.	Indtastn 6-Cifret Programmeringskode.	Tryk på A27.	Indtast ny 6-siffrc Programmeringskode.	Bekræft ved at Ange den nye Programmeringskoden en gang till.	Noter Programmeringskoden.	
Ændre ukendt programmeringskode	Nedtag CD30 fra dør.	Tryk hurtigt på reset knappen på bagsiden af CD30.	indtast en 6-siffrig Programmeringskod.	Verificere ved at indtaste sammakod igen.	Noter Programmeringskoden.		
ændre gruppekode							
Angiv kode nr. ændre gruppekode	Tryk på B.	indtast den 6-siffriga administratörs koden.	Tryk på A21.	Mata in ett 1-siffrigt kodnummer (1-9).	Ange önskad 4-siffrig gruppkod.	Tryk B för att återgå till Programmeringsläget.	Tryck B för att lämna Programmeringsläget.
Slet gruppekode	Tryk på B.	indtast den 6-siffriga Programmeringskoden.	Tryk på A21.	Mata in ett 1-siffrigt kodnummer (1-9).	Ange 0000.	Tryk B för att återgå till Programmeringsläget.	Tryck B för att lämna Programmeringsläget.
Oplås/lås dør							
Oplås dør	Tryk på A1A.	indtast den gruppod som är lagrad som nionde kod (fyra siffror).					
Lås dør	Tryk på A0A.	Indtast den gruppod som är lagrad som niende kod (4 cifre					
Summer							
Deaktivere summer	Tryk på B.	Indtastn 6-siffriga Programmeringskoden.	Tryk på A65.	För att aktivera, tryk på 0.	Tryk på B för att forlade Programmerings tilstand.		
Aktivere summer	Tryk på B.	indtast 6-siffriga Programmeringskoden.	Tryk på A65.	for atr Deaktivere tryk på 1.	Tryk på B för forlad Programmerings tilstand		
Fabriksindstilling							
	Nedtag CD30 fra døren.	Tryk på Resetknop bagpå CD30.	indtast 112186.	Indtast 112186.			

14

Problemløsning

Symptom	Løsning
Låsen åbnes ikke når kode indtastes	<ul style="list-style-type: none">● Kontrollere at den rette gruppekode anvendes.● Håndtag må ikke være trykket ned, når kode indtastes.● Kontrollere at håndtag står vertikalt.● Kontrollere at CD30 er monteret præcist vertikalt● Kontrollere at håndtag går frit og skrue ikke er spændt for hårdt samme, så håndtag ikke går frit● Kontrollere at det røde mærke på skive vender nedaf
CD30 är i ulåst tilstand	<ul style="list-style-type: none">● Indstilling i CD30 i oplåst dør (hvis nødvendigt). Se afsnit 10.2 <i>Lås/oplås dør.</i>
CD30 giver ingen lyd ved tastetryk	<ul style="list-style-type: none">● Aktiver summer i <i>programmet</i>● Summer.
Batterierne for strøm er næsten tomme	<ul style="list-style-type: none">● . Se afsnit 9.3 <i>skift batterier.</i>

forklarende ordliste

	forklaring
Programmeringskode	En kombination af alfanumeriske tegn som en administrator har for at verificere sig
Gruppekode	En kombination af alfanumeriske tegn som en adgangsgruppe har for at verificere sig

Installera CD30, 36

Issued by
Vanderbilt International (IRL) Ltd.
Clonshaugh Business and Technology Park
Clonshaugh
Dublin 17
Ireland

www.vanderbiltindustries.com

Vanderbilt International (IRL) Ltd.
Data and design subject to change without notice.
Supply subject to availability.

Document no. A-100353-1
Edition 05.2016