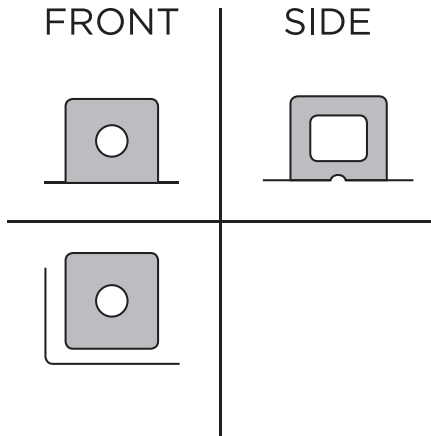
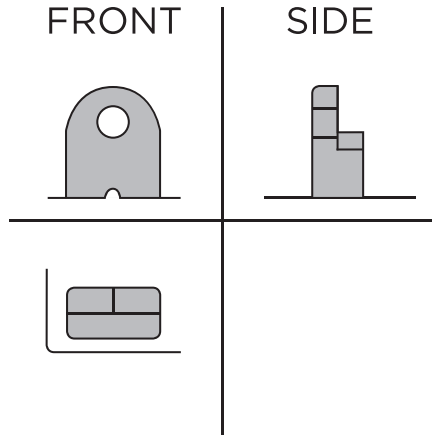


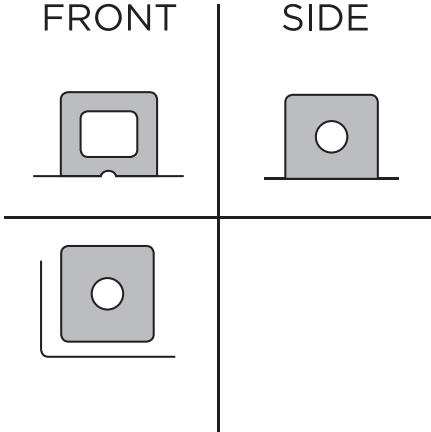
Terminal A



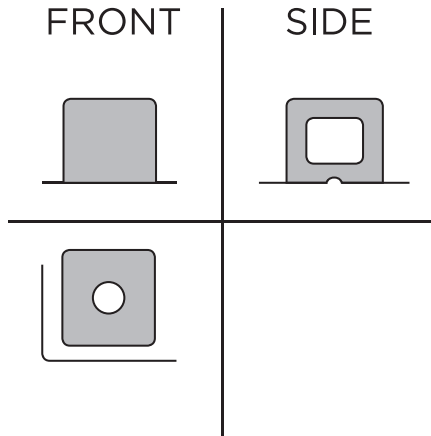
Terminal B



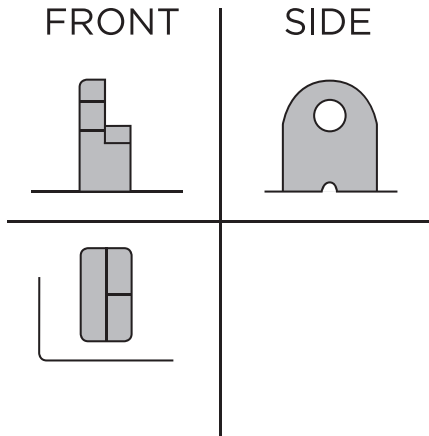
Terminal C



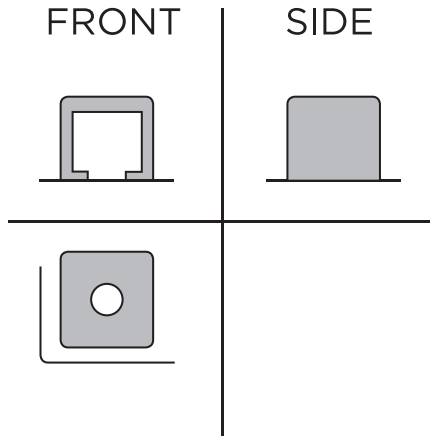
Terminal D



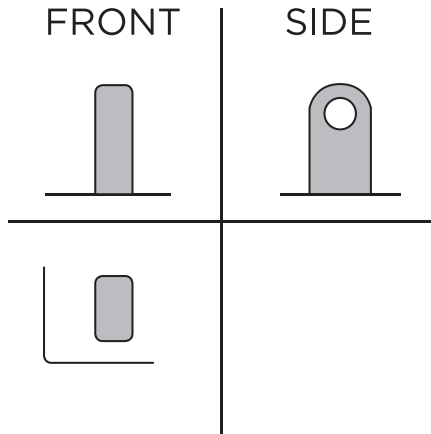
Terminal E



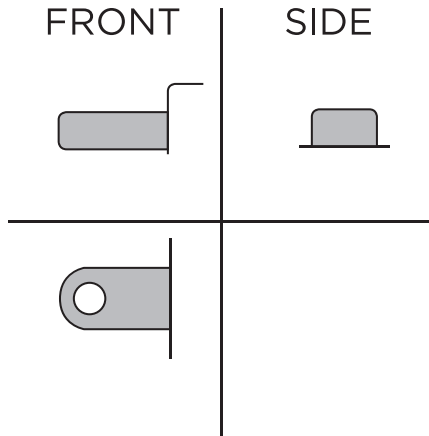
Terminal F



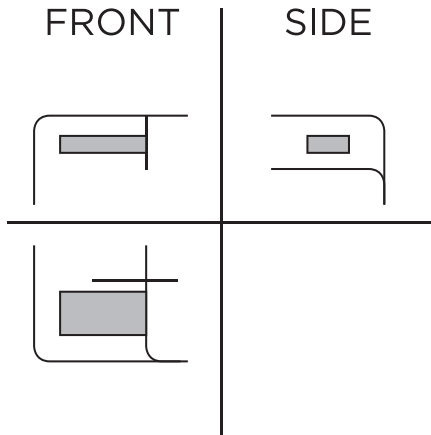
Terminal G



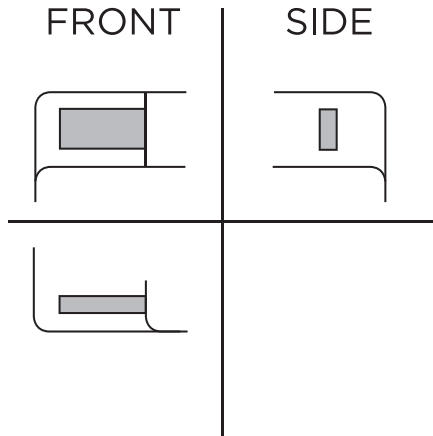
Terminal H



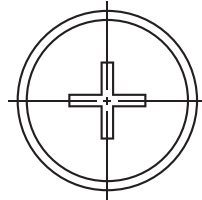
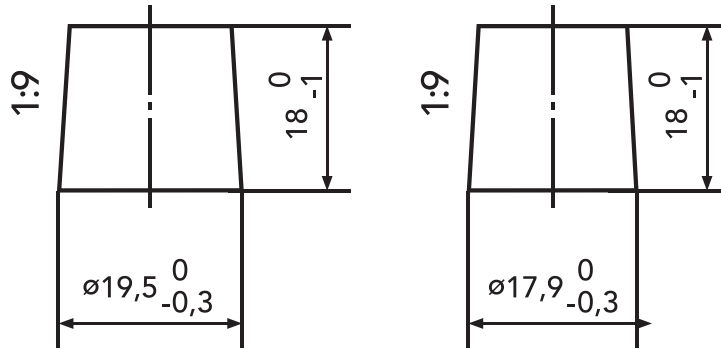
Terminal I



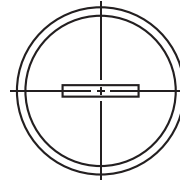
Terminal J



Terminal 1

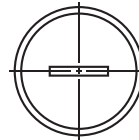
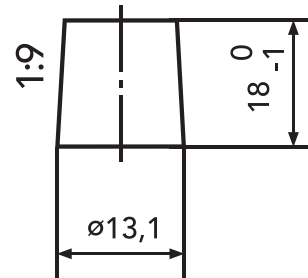
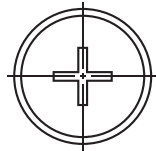
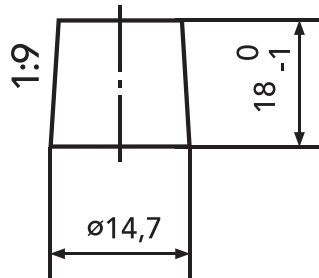


pos

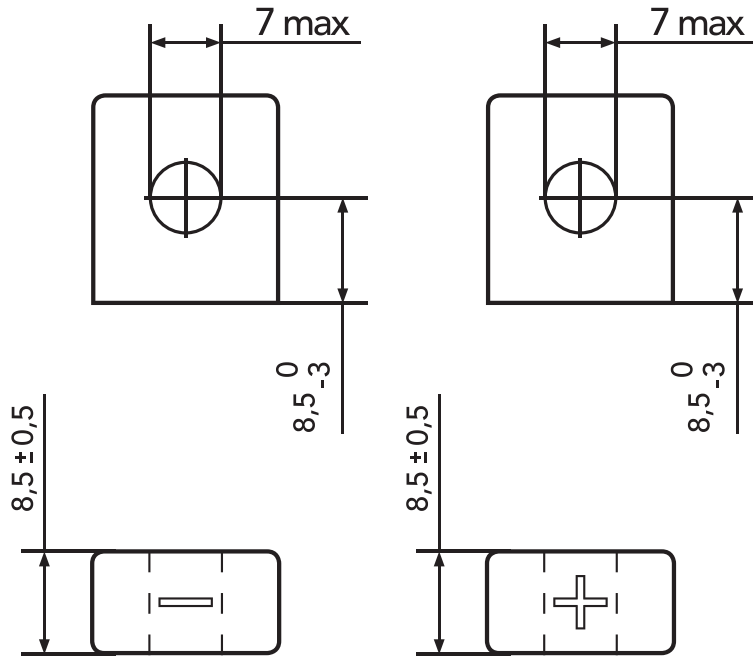


neg

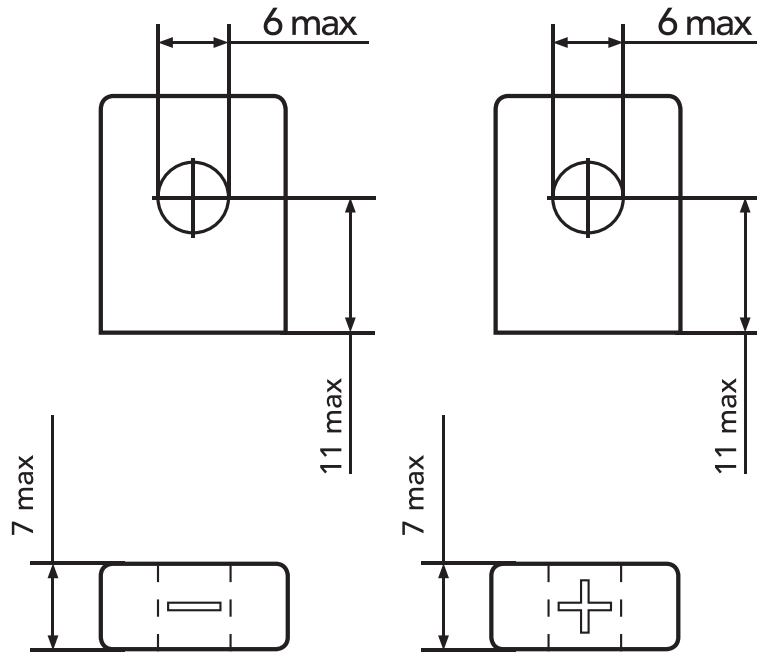
Terminal 3



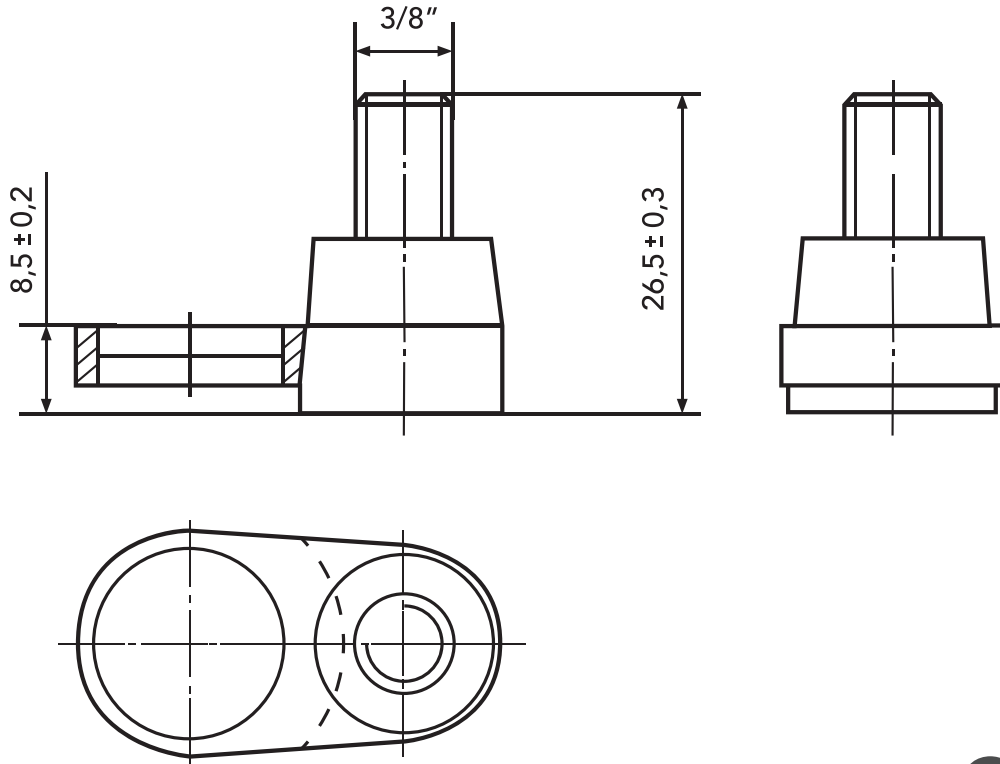
Terminal 4



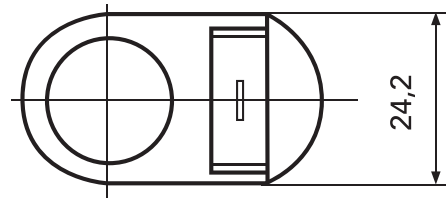
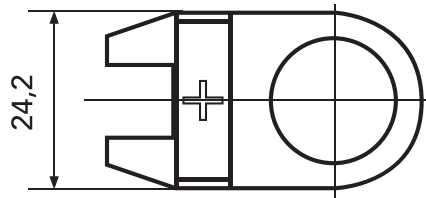
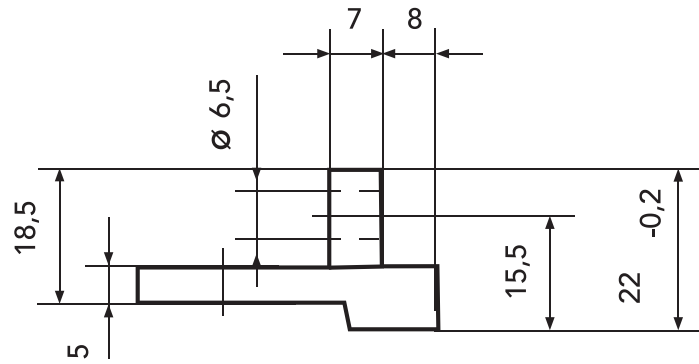
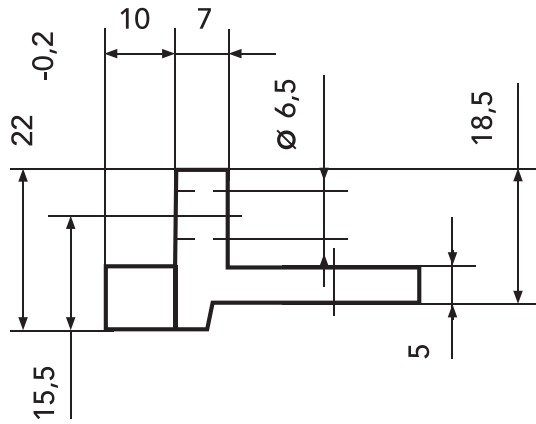
Terminal 5



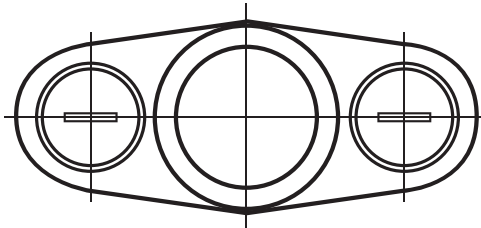
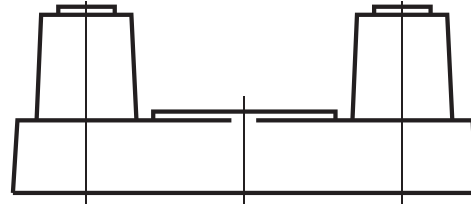
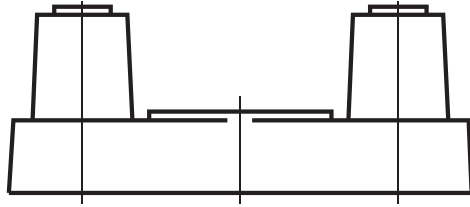
Terminal 8



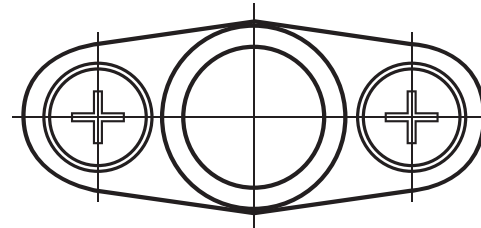
Terminal 19



Terminal 20



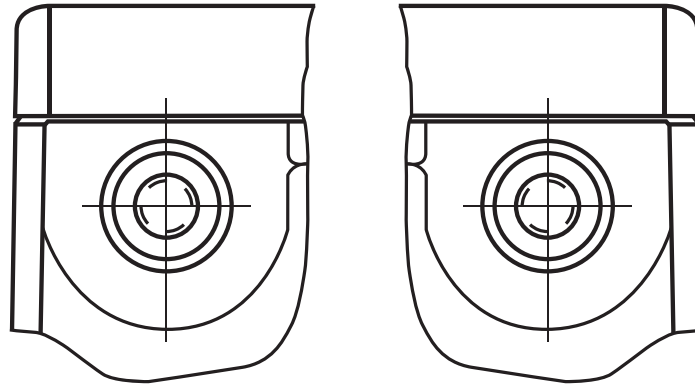
neg



pos

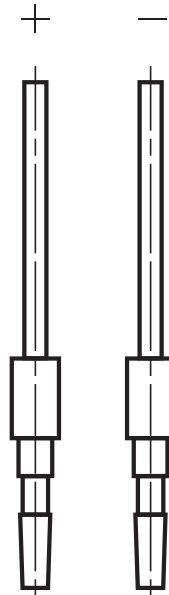
Dimension as shown in fig. "terminal 1"

Terminal 21

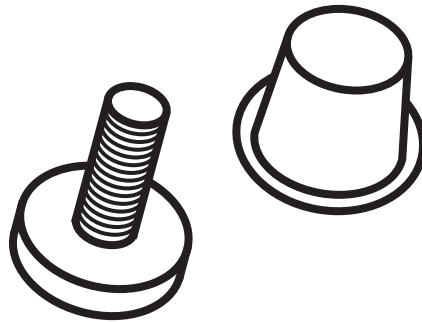


3/8" x 8

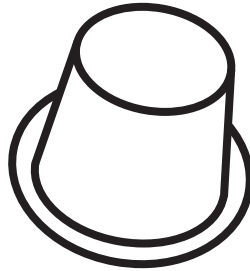
Terminal K



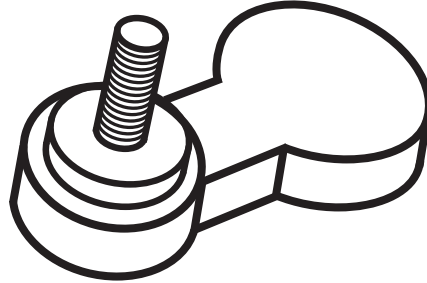
Terminal Standard



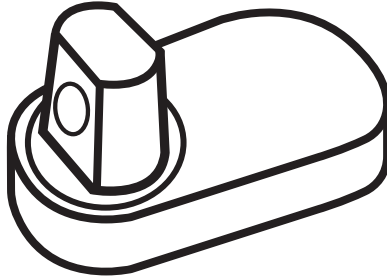
Terminal Type A



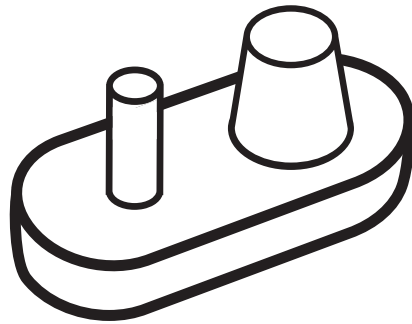
Terminal Type S



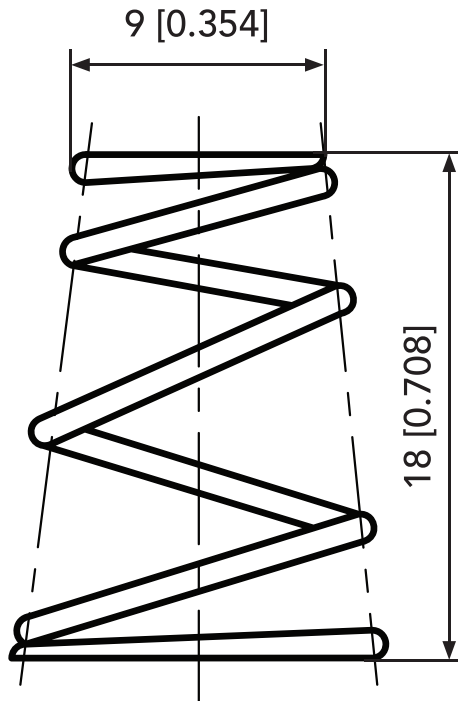
Terminal Type Z



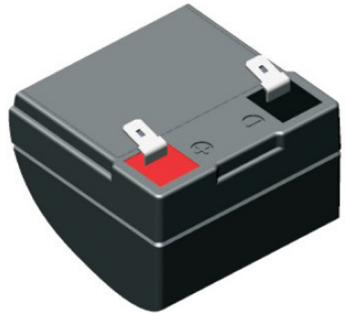
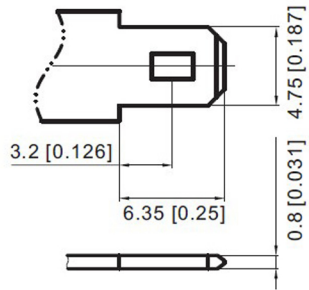
Dual Terminal



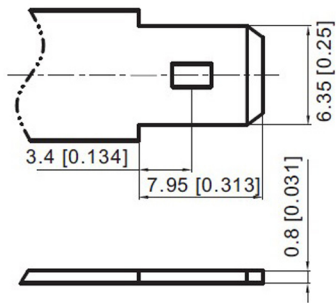
Spring Terminal



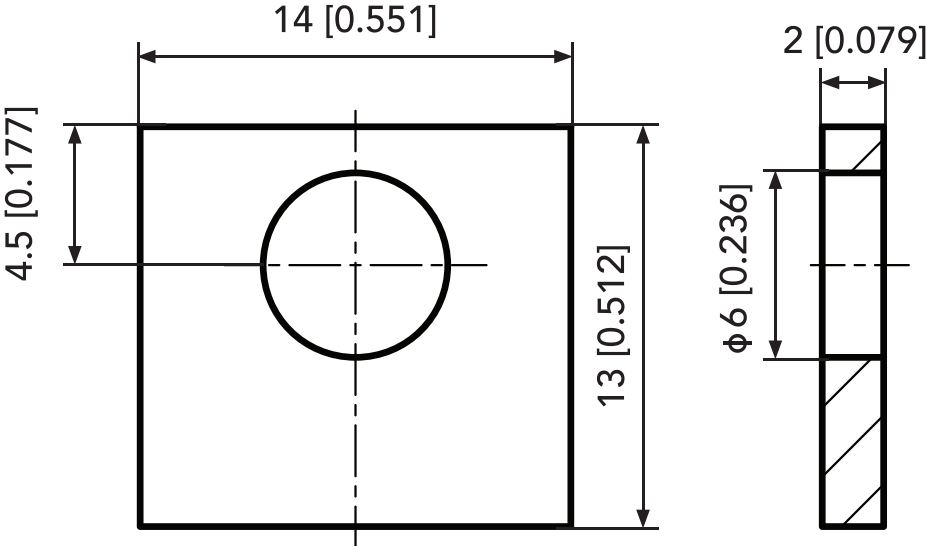
Spadestik - T1 terminal



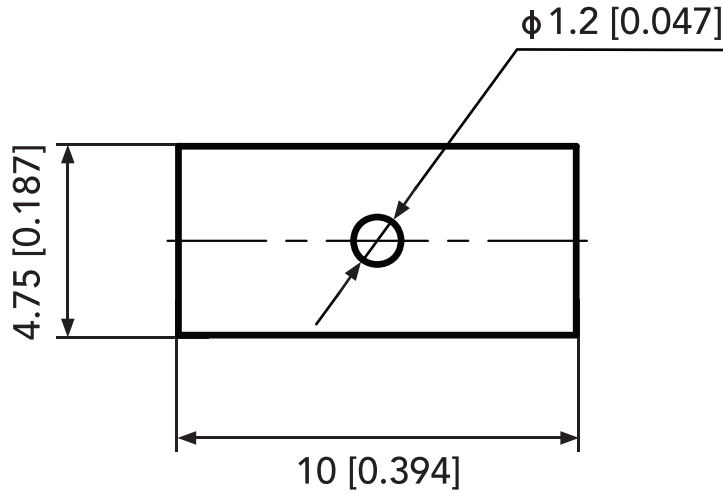
Spadestik - T2 terminal



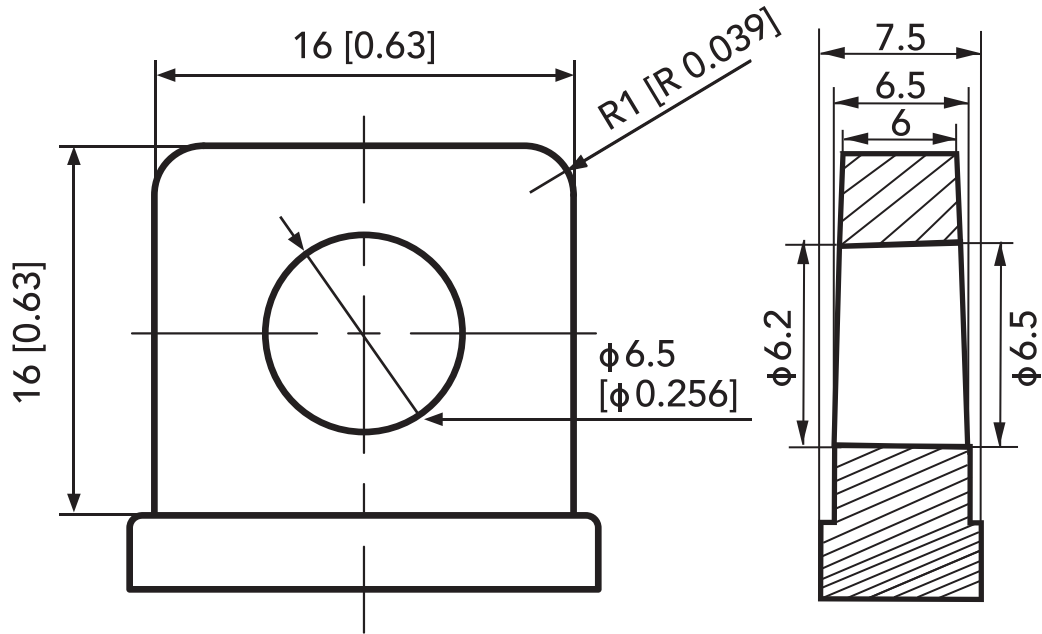
T3 Terminal



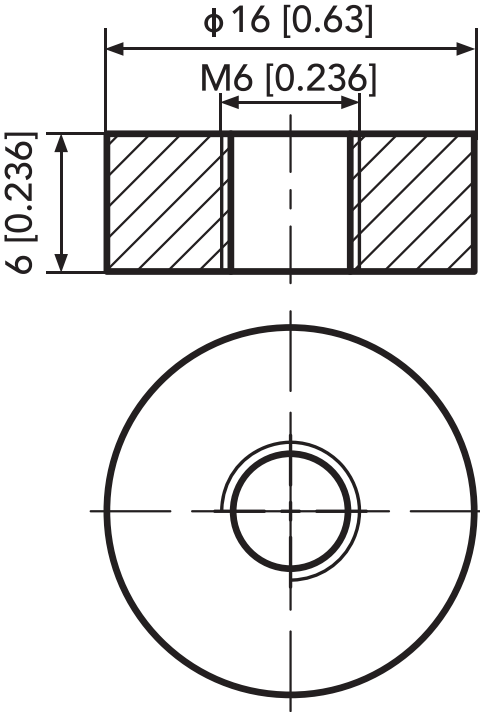
T4 Terminal



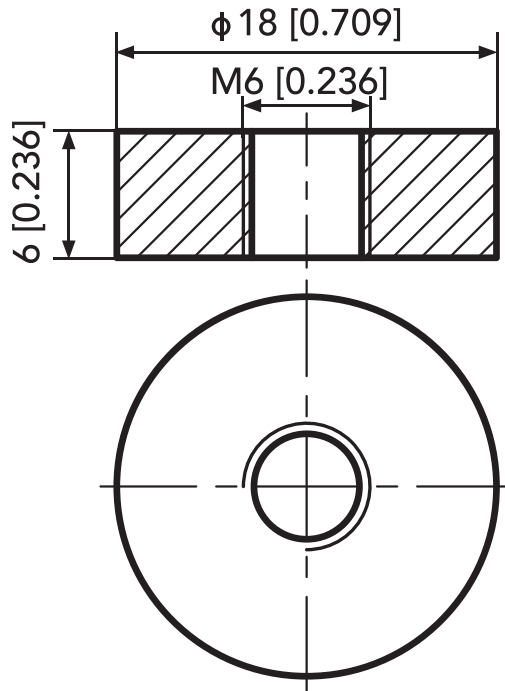
T5 Terminal



T6 Terminal

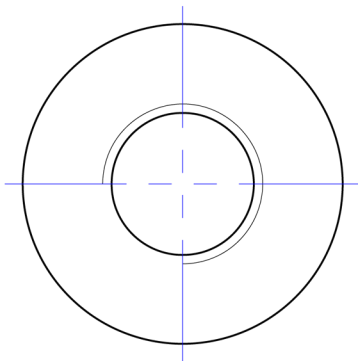
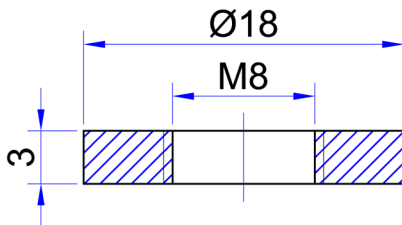


T7 Terminal

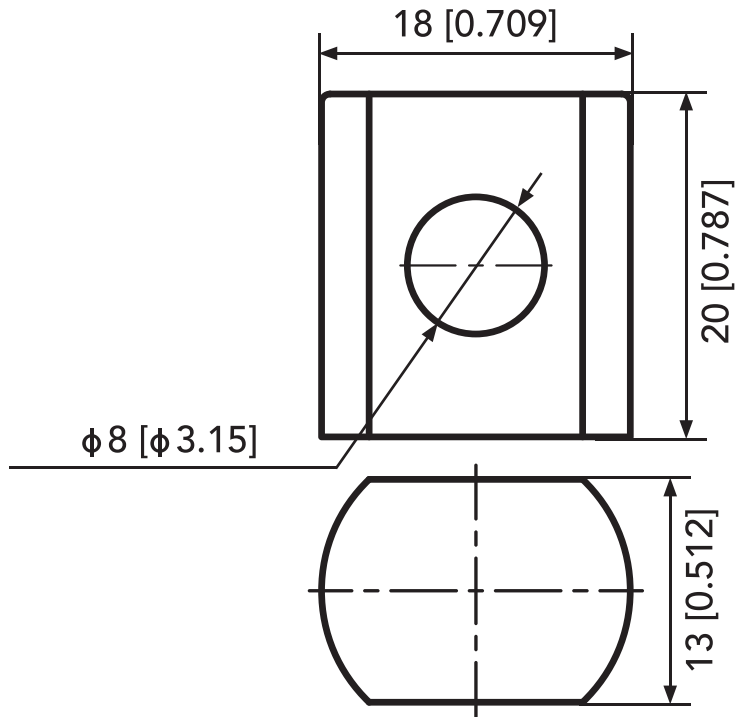


T8 Terminal

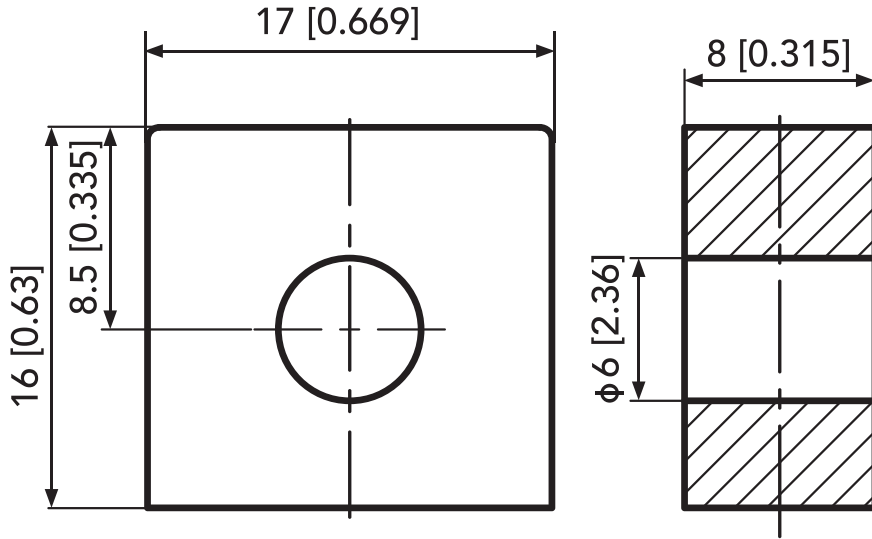
M8 Terminal



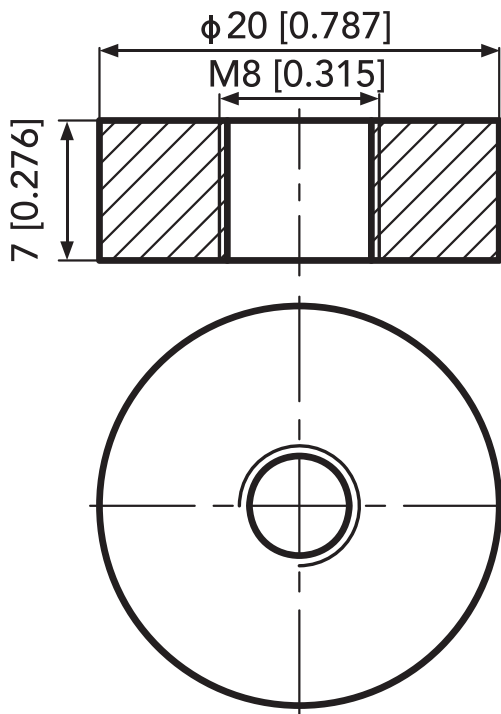
T9 Terminal



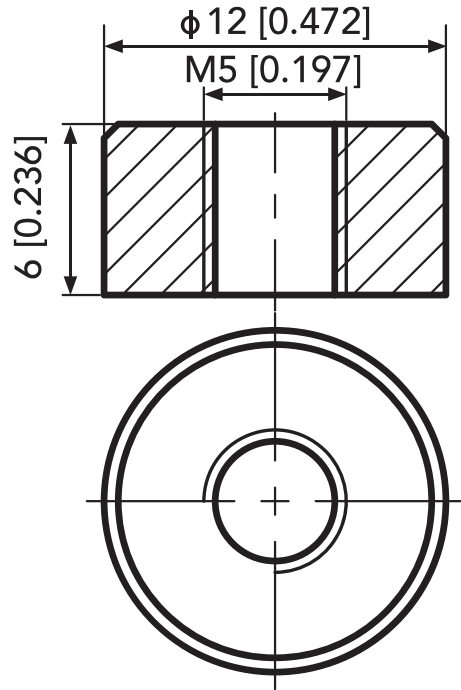
T10 Terminal



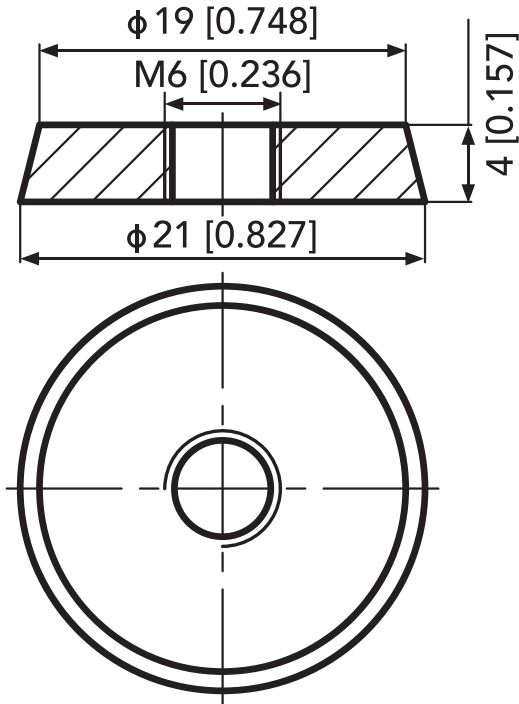
T11 Terminal



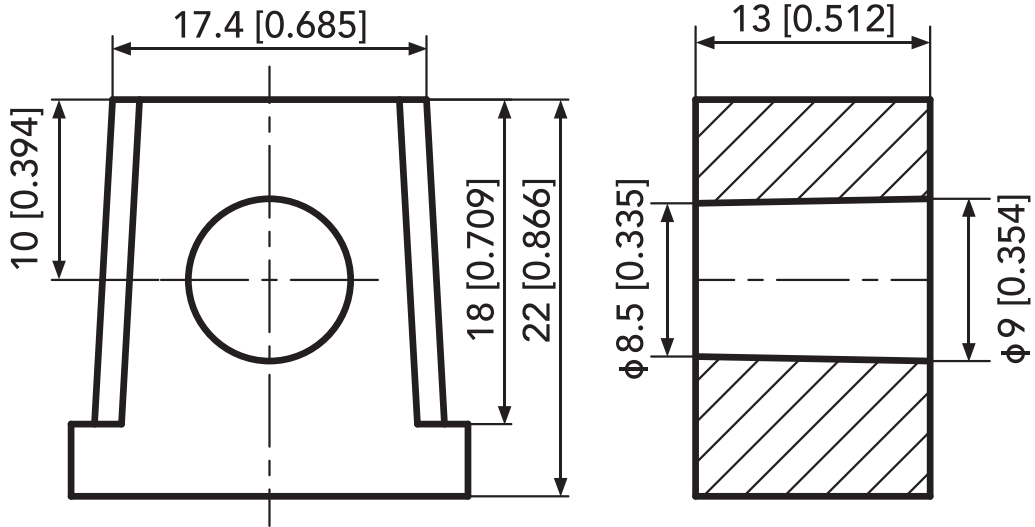
T12 Terminal



T13 Terminal



T14-1 Positive



T14-2 Negative

