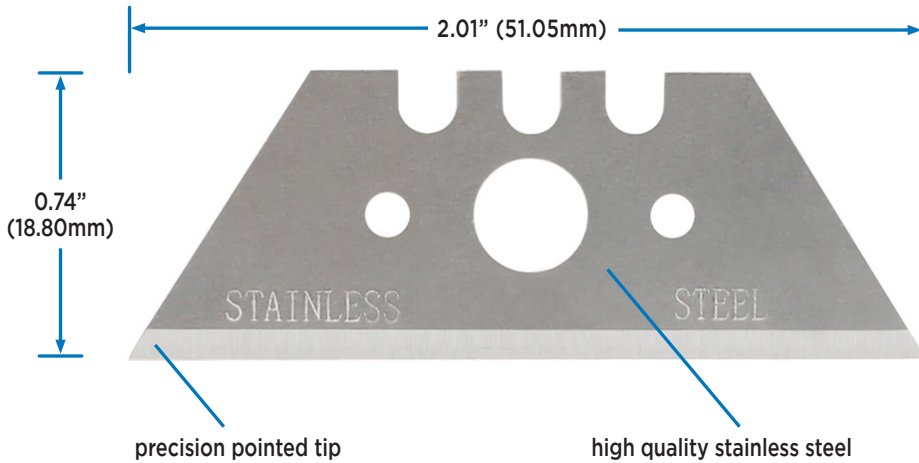


# industrial utility blade pointed tip stainless steel

B11118-9



## IDEALLY SUITED FOR



## FEATURES AND HIGHLIGHTS

Industrial Utility Blade Pointed Tip Stainless Steel is a durable and long-lasting stainless steel replacement blade with a pointed tip for exclusive use with the PHC Metti™ MD and Volo™ MD Safety Knives.

- Rust-resistant and durable stainless steel blade for long-lasting use.
- Precision pointed tip for smooth, clean cuts.
- Compatible with PHC Metti™ MD and Volo™ MD Safety Knives.
- 100 per blade pack.

## COMPATIBLE PRODUCTS



E12208-9  
Auto-Retract Metti™ MD  
Safety Knife



E12205-4  
Auto-Retract Volo™ MD  
Safety Knife

## TECHNICAL

<b>BLADE MATERIAL</b>	Stainless Steel
<b>BLADE SIZE</b>	2.01"L x 0.74"W x 0.02"H 51.05mm L x 18.80mm W x 0.51mm H
<b>BLADE WEIGHT</b>	0.01 lbs / 0.004 kg

## PACKAGING



<b>SELL PACK QTY</b>	Box of 100
<b>UPC#</b>	0-73441-00924-6
<b>EAN#</b>	0073441009246
<b>SIZE/WEIGHT</b>	6.10"L x 2.76"W x 1.18"H 15.49cm L x 7.01cm W x 3.0cm H 0.71 lbs / 0.32 kg
<b>CASE PACK QTY</b>	1000 (10 Boxes of 100)
<b>UPC#</b>	200-73441-00924-0
<b>EAN#</b>	0073441009345
<b>SIZE/WEIGHT</b>	6.54"L x 6.30"W x 6.30"H 16.61cm L x 16.0cm W x 16.0cm H 9.26 lbs / 4.2 kg

## WHY PHC?

We believe in making safety cutting tools for every body. For over 70 years, Pacific Handy Cutter has thoughtfully engineered accessible safety cutting solutions for a variety of users, cutting applications and work environments. Our Safety Knives are the preferred cutting tool among grocery, retail and industrial businesses due to their ability to improve worker productivity while reducing the costs associated with accidental injuries, worker compensation claims and damaged merchandise.