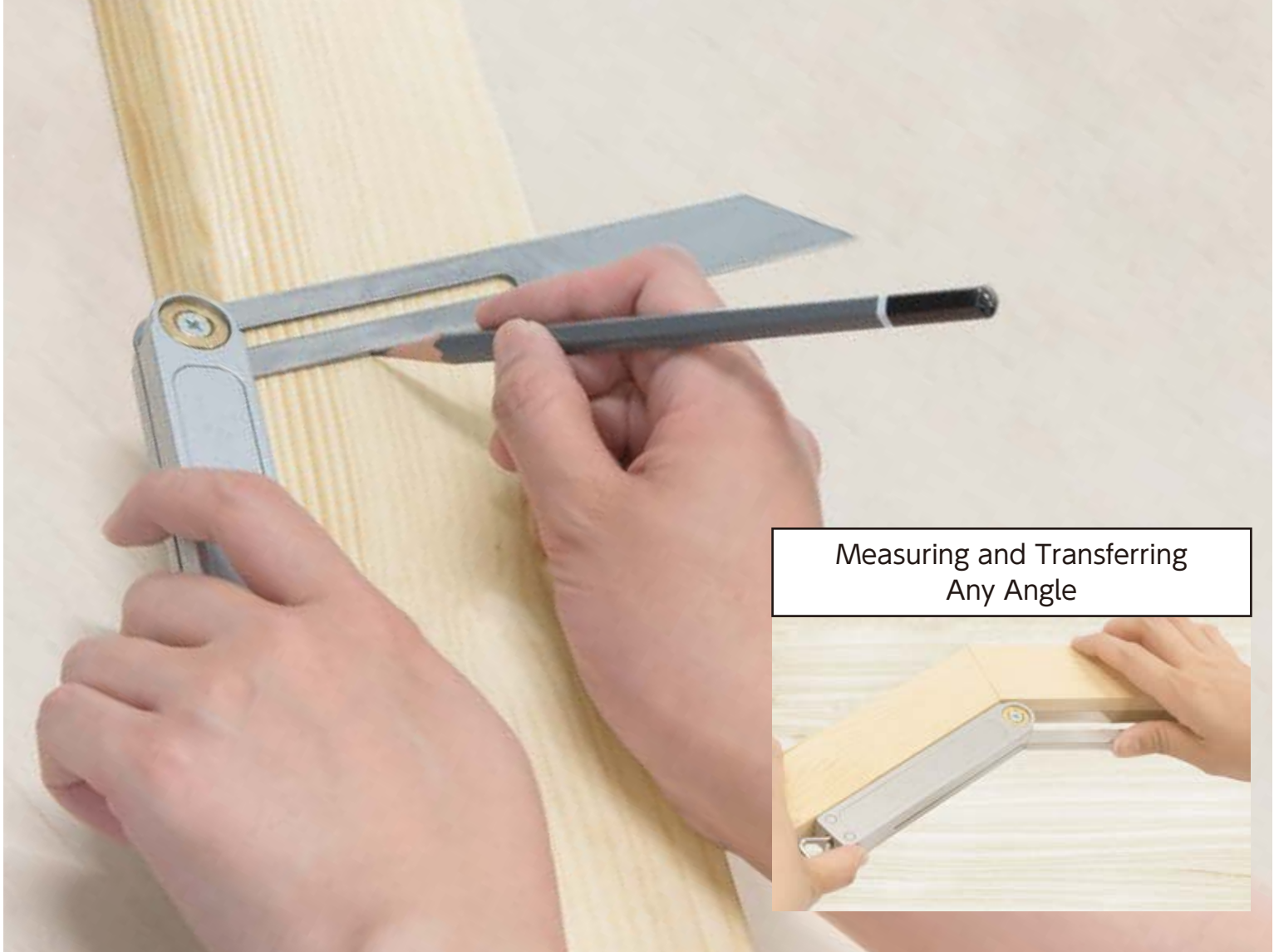


Easy-to-use rear locking screw

Sliding Bevel 8"/10"



Measuring and Transferring Any Angle



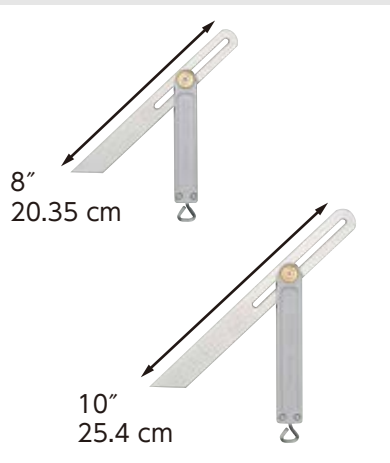
Angle Transferring

The perfect tool for dovetail or any woodworking project.



Two Sizes

Available in two sizes 8" (20.35 cm) and 10" (25.4 cm).



Locking Screw at Rear

Unobtrusive locking screw that makes transferring easy.



Sliding Bevel

Item Code	Description	Packing Unit	JAN Code
33919	8"	6	4 960910 339194
33921	10"		4 960910 339217