



Tool holders
A

Shank	Part No.
MK2	2A-MK2
MK3	2A-MK3
MK4	2A-MK4
MK5	2A-MK5
Weldon	2A-W20

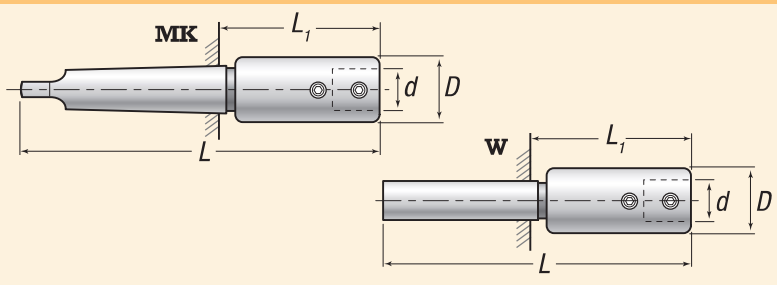
Tool holders
NS
Short

Shank	Part No.
MK3	2NS-MK3
MK4	2NS-MK4
Weldon	2NS-W25

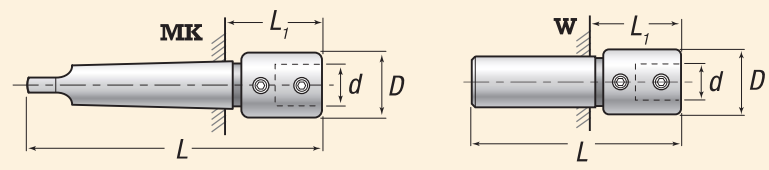
Tool holders
L
Long

Shank	Part No.
MK3	2L-175-MK3
MK3	2L-250-MK3
Ø32	2L-500-32

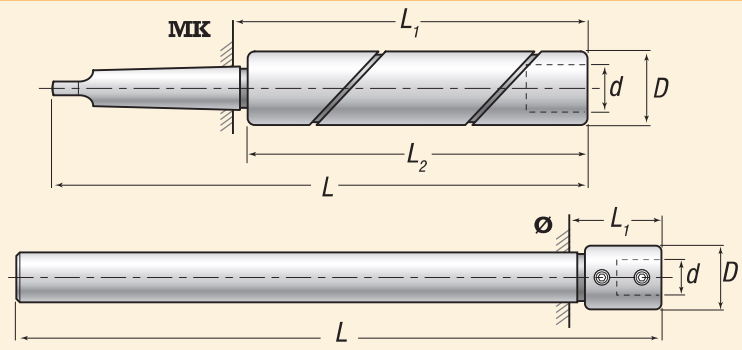
2A



2NS



2L



Type	D Tol. g7	d	L	L ₁	L ₂	Shank
2A-MK2	36	22	160	85		MK2
2A-MK3	36	22	180	87		MK3
2A-MK4	36	22	206	89		MK4
2A-MK5	36	22	240	91		MK5
2A-W20	36	22	140	71		W20
2NS-MK3	36	22	145	51		MK3
2NS-MK4	36	22	170	53		MK4
2NS-W25	36	22	105	45		W25
2L-L175-MK3	40	22	280	186	175	MK3
2L-L250-MK3	40	22	355	261	250	MK3
2L-500-32	36	22	500	51		Ø32