

Dial Test Indicators

Most modern methods are applied in the production of our high quality Dial Test Indicators. They are both sensitive and shock-resistant. Here are some of the advantages applicable to the whole series:

- All features of the models reading up to 1 mm measuring range conform to DIN 2270. This applies to all deviation spans, the measuring force and the hysteresis error of the measuring force.
- Automatic change of the direction of measurement.
- Indication clockwise in all types.
- Precise components, running in ruby bearings, warrant highest precision throughout.
- Precision bearing for the lever shaft.
- Body with 3 dovetail slides for clamping the stem and other equipment.
- Body chromed in order to protect the dovetail slides against damage.
- Tungsten carbide ball 2 mm Ø in measuring inserts.
- Dial adjustable by knurled bezel.
- Supplied in a convenient box with transparent lid with 1 stem Ø 8 mm h 6 and 1 spanner for changing the contact points.

Technical data for metric Dial Test Indicators Lever Type

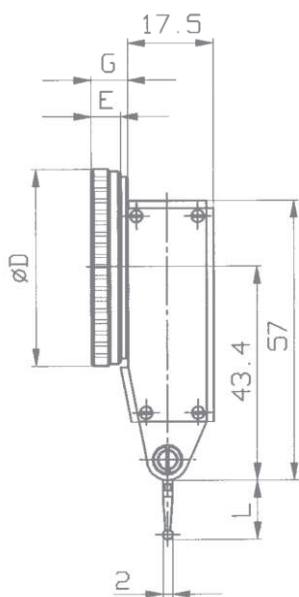
Model	Reading	Range	Dial reading	Bezel-Ø	Form to DIN 2270	Length of contact point
K 30	0.01 mm	0.8 mm	0-40-0	32 mm	A	12.8 mm
K 30/1	0.01 mm	1.0 mm	0-50-0	32 mm	A	16.6 mm
K 30/4	0.01 mm	4.0 mm	0-100	28.4 mm	A	38.0 mm
K 31	0.01 mm	0.8 mm	0-40-0	32 mm	B	12.8 mm
K 32	0.01 mm	0.8 mm	0-40-0	32 mm	C	12.8 mm
K 33	0.01 mm	0.5 mm	0-25-0	32 mm	A	35.7 mm
K 34	0.01 mm	0.5 mm	0-25-0	32 mm	B	35.7 mm
K 35	0.01 mm	0.5 mm	0-25-0	32 mm	C	35.7 mm
K 36	0.002 mm	0.2 mm	0-100-0	32 mm	A	12.8 mm
K 36/0.4	0.002 mm	0.4 mm	0-100-0	28.4 mm	A	12.0 mm
K 37	0.002 mm	0.2 mm	0-100-0	32 mm	B	12.8 mm
K 38	0.002 mm	0.2 mm	0-100-0	32 mm	C	12.8 mm
K 40	0.01 mm	0.8 mm	0-40-0	40 mm	A	12.8 mm
K 40/1	0.01 mm	1.0 mm	0-50-0	40 mm	A	16.6 mm
K 40/4	0.01 mm	4.0 mm	0-100	38.2 mm	A	38.0 mm
K 41	0.01 mm	0.8 mm	0-40-0	40 mm	B	12.8 mm
K 42	0.01 mm	0.8 mm	0-40-0	40 mm	C	12.8 mm
K 43	0.01 mm	0.5 mm	0-25-0	40 mm	A	35.7 mm
K 44	0.01 mm	0.5 mm	0-25-0	40 mm	B	35.7 mm
K 45	0.01 mm	0.5 mm	0-25-0	40 mm	C	35.7 mm
K 46	0.002 mm	0.2 mm	0-100-0	40 mm	A	12.8 mm
K 46/0.4	0.002 mm	0.4 mm	0-100-0	38.2 mm	A	12.0 mm
K 47	0.002 mm	0.2 mm	0-100-0	40 mm	B	12.8 mm
K 48	0.002 mm	0.2 mm	0-100-0	40 mm	C	12.8 mm
K 40 AD	0.01 mm	0.8 mm	0-40-0	40 mm	A	12.8 mm
K 43 AD	0.01 mm	0.5 mm	0-25-0	40 mm	A	35.7 mm
K 46 AD	0.002 mm	0.2 mm	0-100-0	40 mm	A	12.8 mm
K 49 AD	0.001 mm	0.2 mm	0-100-0	40 mm	A	12.8 mm
K 40/2	0.02 mm	2 mm	0-100-0	40 mm	A	35.7 mm
K 58	0.001 mm	0.2 mm	0-100-0	58 mm	A	12.8 mm

Dial Test Indicators adding 'AD' in the model designation possess a water-protected dial casing. The transparent front cover, made of knock resistant plastic, produces a good seal of the dial casing only conforming to protection class IP 53. Another advantage of this design is that the anti-reflective coating of the front cover reduces shadows on the dial face and makes the Dial Test Indicators easy to read even at awkward angles.

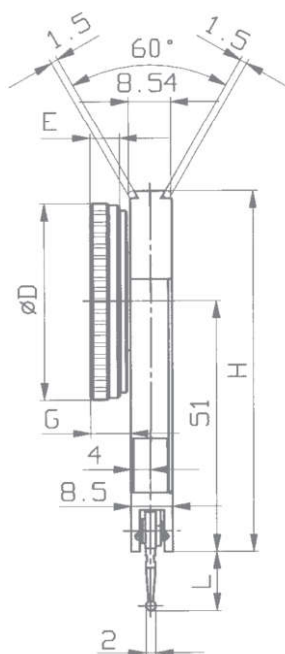
Inch Dial Test Indicators Lever Type see page 99.

Dimensioned drawings for Dial Test Indicators

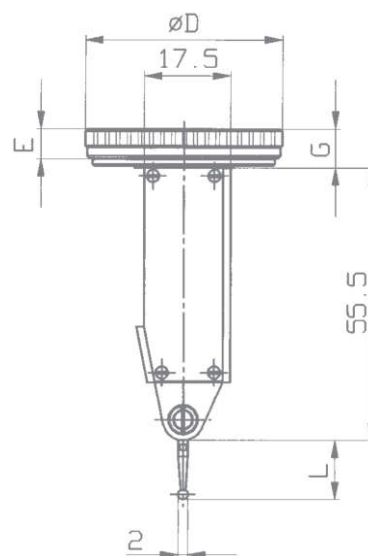
Dimensions						
Models	D	E	G	H	L	Form to DIN 2270
K 30, K 36	32 mm	5.6 mm	7.1 mm	–	12 mm	A
K 31, K 37	32 mm	5.6 mm	7.7 mm	69.5 mm	12 mm	B
K 32, K 38	32 mm	5.6 mm	7.5 mm	–	12 mm	C
K 33	32 mm	5.6 mm	7.1 mm	–	35 mm	A
K 34	32 mm	5.6 mm	7.7 mm	69.5 mm	35 mm	B
K 35	32 mm	5.6 mm	7.5 mm	–	35 mm	C
K 40, K 46	40 mm	6 mm	7.5 mm	–	12 mm	A
K 41, K 47	40 mm	6 mm	8.1 mm	73.5 mm	12 mm	B
K 42, K 48	40 mm	6 mm	7.9 mm	–	12 mm	C
K 43	40 mm	6 mm	7.5 mm	–	35 mm	A
K 44	40 mm	6 mm	8.1 mm	73.5 mm	35 mm	B
K 45	40 mm	6 mm	7.9 mm	–	35 mm	C
K 40/2	40 mm	6 mm	7.5 mm	–	35 mm	A



Form A DIN 2270



Form B DIN 2270



Form C DIN 2270