

## Dial Test Indicator K 30

## Dial Test Indicator K 40

The friction clutch mechanism of these Dial Test Indicators provides a very effective shockproof system. Standard versions are equipped with contact points having a tungsten carbide ball of 2 mm diameter. On request contact points with ball diameters of 0.4 mm, 1 mm or 3 mm can be fitted. Also available are contact points with a 2 mm diameter ruby ball.

Standard equipment includes: 1 contact point with tungsten carbide ball 2 mm Ø, 1 stem 8 mm Ø and 1 spanner for changing the contact points.

Dial Test Indicator K 30	
Reading	0.01 mm
Range	0.8 mm
Dial reading	0-40-0
Bezel-Ø	32 mm
Form to DIN 2270	A
Dimensions and accuracy according to	DIN 2270
Measuring force	0.07 N ± 20%
Length of contact point	12.8 mm
Swivelling range of contact point at 90° to the scale	240°
Dimensioned drawing	page 93

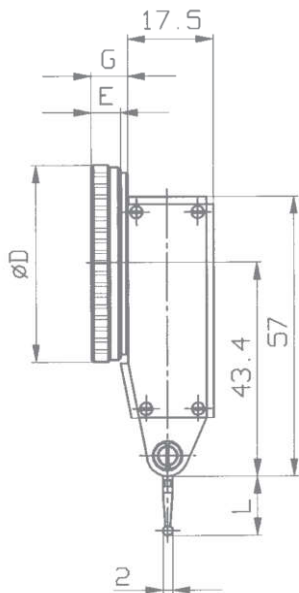
Dial Test Indicator K 40	
Reading	0.01 mm
Range	0.8 mm
Dial reading	0-40-0
Bezel-Ø	40 mm
Form to DIN 2270	A
Dimensions and accuracy according to	DIN 2270
Measuring force	0.07 N ± 20%
Length of contact point	12.8 mm
Swivelling range of contact point at 90° to the scale	240°
Dimensioned drawing	page 93



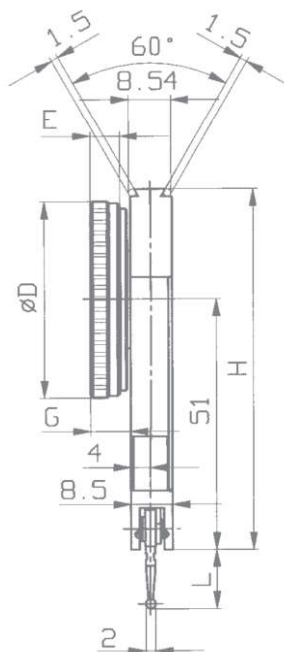
Dial Test Indicators are also available with extended measuring ranges of 1 mm or 2 mm. Please request our offer for the models K 30/1, K 30/2, K 40/1 and K 40/2.

# Dimensioned drawings for Dial Test Indicators

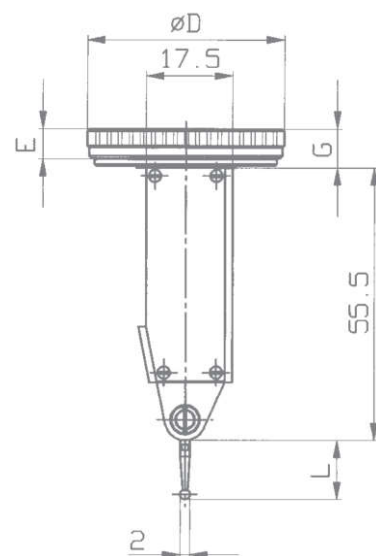
Dimensions						
Models	D	E	G	H	L	Form to DIN 2270
K 30, K 36	32 mm	5.6 mm	7.1 mm	–	12 mm	A
K 31, K 37	32 mm	5.6 mm	7.7 mm	69.5 mm	12 mm	B
K 32, K 38	32 mm	5.6 mm	7.5 mm	–	12 mm	C
K 33	32 mm	5.6 mm	7.1 mm	–	35 mm	A
K 34	32 mm	5.6 mm	7.7 mm	69.5 mm	35 mm	B
K 35	32 mm	5.6 mm	7.5 mm	–	35 mm	C
<b>K 40, K 46</b>	<b>40 mm</b>	<b>6 mm</b>	<b>7.5 mm</b>	<b>–</b>	<b>12 mm</b>	<b>A</b>
K 41, K 47	40 mm	6 mm	8.1 mm	73.5 mm	12 mm	B
K 42, K 48	40 mm	6 mm	7.9 mm	–	12 mm	C
K 43	40 mm	6 mm	7.5 mm	–	35 mm	A
K 44	40 mm	6 mm	8.1 mm	73.5 mm	35 mm	B
K 45	40 mm	6 mm	7.9 mm	–	35 mm	C
K 40/2	40 mm	6 mm	7.5 mm	–	35 mm	A



Form A DIN 2270



Form B DIN 2270



Form C DIN 2270