

Dial Test Indicator K 30

Dial Test Indicator K 40

The friction clutch mechanism of these Dial Test Indicators provides a very effective shockproof system. Standard versions are equipped with contact points having a tungsten carbide ball of 2 mm diameter. On request contact points with ball diameters of 0.4 mm, 1 mm or 3 mm can be fitted. Also available are contact points with a 2 mm diameter ruby ball.

Standard equipment includes: 1 contact point with tungsten carbide ball 2 mm Ø, 1 stem 8 mm Ø and 1 spanner for changing the contact points.

| Dial Test Indicator K 30 | |
|---|--------------|
| Reading | 0.01 mm |
| Range | 0.8 mm |
| Dial reading | 0-40-0 |
| Bezel-Ø | 32 mm |
| Form to DIN 2270 | A |
| Dimensions and accuracy according to | DIN 2270 |
| Measuring force | 0.07 N ± 20% |
| Length of contact point | 12.8 mm |
| Swivelling range of contact point at 90° to the scale | 240° |
| Dimensioned drawing | page 93 |

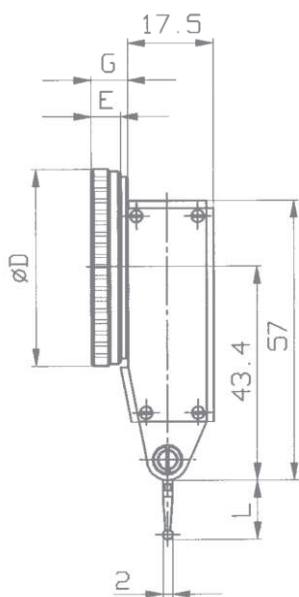
| Dial Test Indicator K 40 | |
|---|--------------|
| Reading | 0.01 mm |
| Range | 0.8 mm |
| Dial reading | 0-40-0 |
| Bezel-Ø | 40 mm |
| Form to DIN 2270 | A |
| Dimensions and accuracy according to | DIN 2270 |
| Measuring force | 0.07 N ± 20% |
| Length of contact point | 12.8 mm |
| Swivelling range of contact point at 90° to the scale | 240° |
| Dimensioned drawing | page 93 |



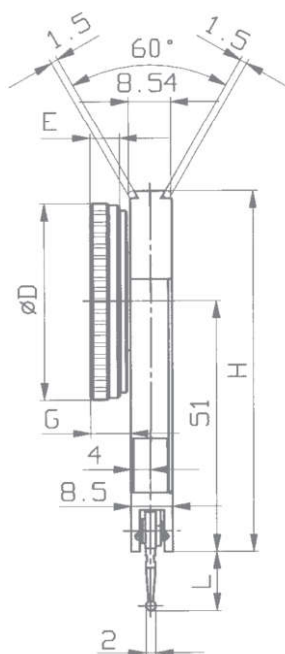
Dial Test Indicators are also available with extended measuring ranges of 1 mm or 2 mm. Please request our offer for the models K 30/1, K 30/2, K 40/1 and K 40/2.

Dimensioned drawings for Dial Test Indicators

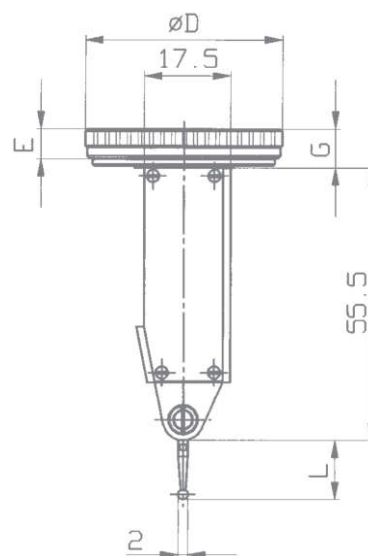
| Dimensions | | | | | | |
|-------------------|--------------|-------------|---------------|----------|--------------|------------------|
| Models | D | E | G | H | L | Form to DIN 2270 |
| K 30, K 36 | 32 mm | 5.6 mm | 7.1 mm | – | 12 mm | A |
| K 31, K 37 | 32 mm | 5.6 mm | 7.7 mm | 69.5 mm | 12 mm | B |
| K 32, K 38 | 32 mm | 5.6 mm | 7.5 mm | – | 12 mm | C |
| K 33 | 32 mm | 5.6 mm | 7.1 mm | – | 35 mm | A |
| K 34 | 32 mm | 5.6 mm | 7.7 mm | 69.5 mm | 35 mm | B |
| K 35 | 32 mm | 5.6 mm | 7.5 mm | – | 35 mm | C |
| K 40, K 46 | 40 mm | 6 mm | 7.5 mm | – | 12 mm | A |
| K 41, K 47 | 40 mm | 6 mm | 8.1 mm | 73.5 mm | 12 mm | B |
| K 42, K 48 | 40 mm | 6 mm | 7.9 mm | – | 12 mm | C |
| K 43 | 40 mm | 6 mm | 7.5 mm | – | 35 mm | A |
| K 44 | 40 mm | 6 mm | 8.1 mm | 73.5 mm | 35 mm | B |
| K 45 | 40 mm | 6 mm | 7.9 mm | – | 35 mm | C |
| K 40/2 | 40 mm | 6 mm | 7.5 mm | – | 35 mm | A |



Form A DIN 2270



Form B DIN 2270



Form C DIN 2270