

Workshop Combination Set 521 Series

Features

- Three measuring heads are attached to the stainless steel ruler, allowing versatile measurements on various types of work pieces
- Square head, protractor head and centre head
- For various measuring and marking applications
- Hardened and ground slide ways
- Stainless steel rule with engraved graduations; one side metric, one side imperial



WORKSHOP COMBINATION SET

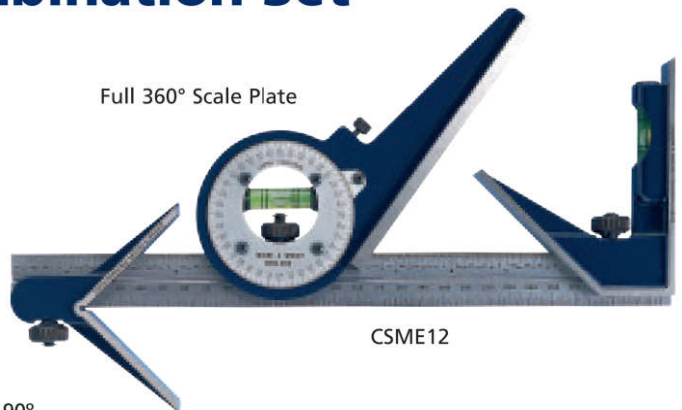
Code No	Range	Description
MW521-01	180°	4 items in set

Traditional Precision Combination Set - CSM300

Features

- Fully hardened and tempered precision rules with deeply etched graduations on both sides for ease of reading and long life
- Fully hardened and ground datum faces to resist wear
- Centrally mounted protractor vial allows unrestricted viewing
- Protractor has full 360° scale plate, graduated 0 - 180° - 0
- Satin chrome scale plate on protractor
- Unique rule clamp allows positive location and clamping
- Square head offers the following fixed angles: 15°, 30°, 45°, 60°, 75° & 90°
- Centre head offers a fixed 90° angle, for finding the centre of round bar stock up to 120mm diameter
- Clipped corner on rule to maximise capability

Full 360° Scale Plate



CSME12

METRIC PRECISION COMBINATION SETS & RULES

Code No	Application Range	Description
CSM300	Precision Combination Set	Full set including 300mm rule (graduated both sides), Protractor head, Square head and Centre head
CSRM300	Rule, 300mm	mm and 0.5mm on both sides; numbered every 10mm
CSRM600	Rule, 600mm	mm and 0.5mm on both sides; numbered every 10mm

METRIC / IMPERIAL PRECISION COMBINATION SETS & RULES

Code No	Application Range	Description
CSME12	Precision Combination Set	Full set inc. 300mm / 12" rule, Protractor head, Square head & Centre head
CSRME12	Rule, 300mm / 12"	Metric graduations: in 0.5mm, numbered every 10mm. Imperial graduations: 32nds and 64ths numbered every 1/8"
CSRME24	Rule, 600mm / 24"	Metric graduations: in 0.5mm, numbered every 10mm. Imperial graduations: 32nds and 64ths numbered every 1/8"

PRECISION COMBINATION SET ACCESSORIES

Code No	Application Range	Description
CSPRO	Protractor head	Supplied as standard with CSM300 & CSME12 traditional precision combination sets
CSSH	Square head	Supplied as standard with CSM300 & CSME12 traditional precision combination sets
CSCH	Centre head	Supplied as standard with CSM300 & CSME12 traditional precision combination sets
RPCSCS-S	Replacement rule clamp screw	Supplied as standard with CSM300 & CSME12 traditional precision combination sets



CSRME12



RPCSCS-S