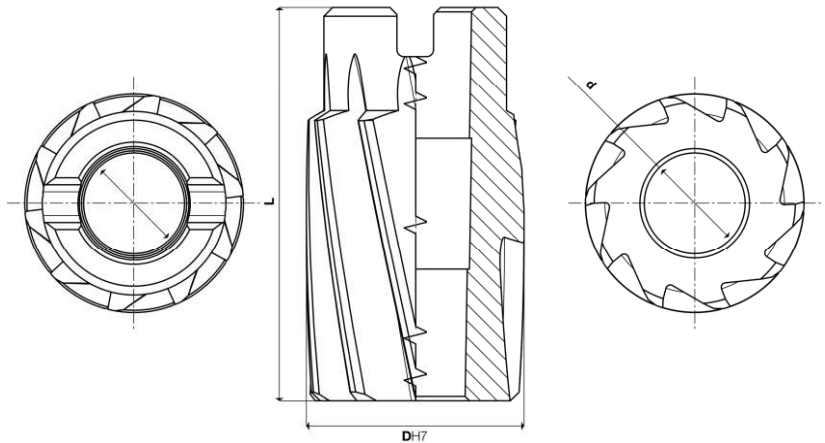


# HSS-PM HSS-PM Line

## Serie/Series 33105

Alesatori a macchina tipo manicotto foro conico 1:30  
Shell reamers taper hole 1:30

Diametri intermedi e tolleranze diverse da H7 si forniscono a richiesta  
In-between diameters and tolerances different from H7 are supplied on request

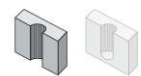


COATINGS <b>Skin</b>	$\lambda^{\circ}$ s 10	N	UNI 6855 DIN 219B ISO 2402
-------------------------	---------------------------	---	----------------------------------

Z8÷20



Cod. Art.	M-TK (HSS-E)	COATED	DH7	L	d	Z
331050200 AM	AMX	AMX	20	40	10	8
331050210 AM	AMX	AMX	21	40	10	8
331050220 AM	AMX	AMX	22	40	10	8
331050230 AM	AMX	AMX	23	40	10	8
331050240 AM	AMX	AMX	24	45	13	10
331050250 AM	AMX	AMX	25	45	13	10
331050260 AM	AMX	AMX	26	45	13	10
331050270 AM	AMX	AMX	27	45	13	10
331050280 AM	AMX	AMX	28	45	13	10
331050290 AM	AMX	AMX	29	45	13	10
331050300 AM	AMX	AMX	30	45	13	10
331050310 AM	AMX	AMX	31	50	16	10
331050320 AM	AMX	AMX	32	50	16	10
331050330 AM	AMX	AMX	33	50	16	10
331050340 AM	AMX	AMX	34	50	16	10
331050350 AM	AMX	AMX	35	50	16	10
331050360 AM	AMX	AMX	36	56	19	12
331050370 AM	AMX	AMX	37	56	19	12
331050380 AM	AMX	AMX	38	56	19	12
331050390 AM	AMX	AMX	39	56	19	12
331050400 AM	AMX	AMX	40	56	19	12
331050420 AM	AMX	AMX	42	56	19	12
331050440 AM	AMX	AMX	44	63	22	12
331050450 AM	AMX	AMX	45	63	22	12
331050460 AM	AMX	AMX	46	63	22	14
331050470 AM	AMX	AMX	47	63	22	14
331050480 AM	AMX	AMX	48	63	22	14
331050490 AM	AMX	AMX	49	63	22	14
331050500 AM	AMX	AMX	50	63	22	14
331050520 AM	AMX	AMX	52	71	27	14
331050550 AM	AMX	AMX	55	71	27	14
331050580 AM	AMX	AMX	58	71	27	14
331050600 AM	AMX	AMX	60	71	27	16
331050620 AM	AMX	AMX	62	80	32	16
331050650 AM	AMX	AMX	65	80	32	16
331050680 AM	AMX	AMX	68	80	32	16
331050700 AM	AMX	AMX	70	80	32	16
331050720 AM	AMX	AMX	72	90	40	16
331050750 AM	AMX	AMX	75	90	40	16
331050780 AM	AMX	AMX	78	90	40	16
331050800 AM	AMX	AMX	80	90	40	20
331050820 AM	AMX	AMX	82	90	40	20
331050850 AM	AMX	AMX	85	90	40	20
331050880 AM	AMX	AMX	88	100	50	20
331050900 AM	AMX	AMX	90	100	50	20
331050920 AM	AMX	AMX	92	100	50	20
331050950 AM	AMX	AMX	95	100	50	20
331050980 AM	AMX	AMX	98	100	50	20
331051000 AM	AMX	AMX	100	100	50	20



### MATERIALI LAVORABILI / WORKPIECE MATERIALS

serie	TITANIO	HRSA	ACCIAI INOSSIDABILI	MATERIALI NON FERROSI	LEGHE LEGGERE	ACCIAI	GHISE
series	TITANIUM	HRSA	STAINLESS STEELS	NON FERROUS MATERIALS	LIGHT ALLOYS	STEELS	CAST IRON
33105	○	○	●	○	○	●	●