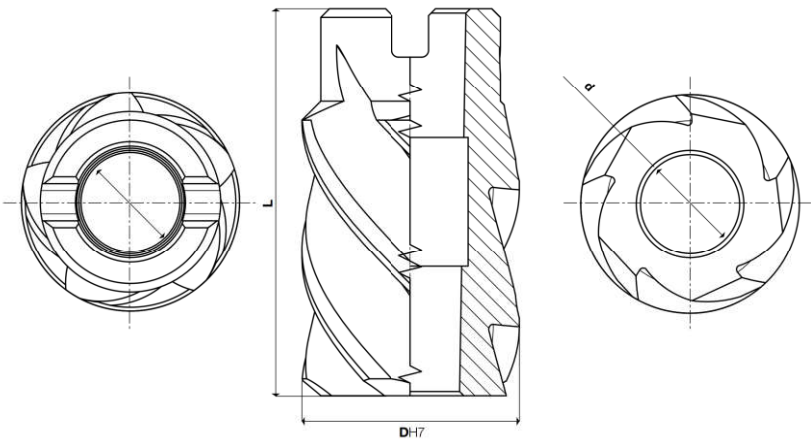


## Serie/Series 33105

Alesatori a macchina tipo manicotto foro conico **1:30**  
Shell reamers taper hole **1:30**

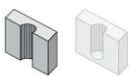
Diametri intermedi e tolleranze diverse da H7 si forniscono a richiesta  
In-between diameters and tolerances different from H7 are supplied on request



COATING	$\lambda^\circ$ s	N	UNI 6855 DIN 219B ISO 2402
<b>Skin</b>	45		

Cod. Art.	M-TK (HSS-E)	COATED	DH7	L	d	Z
331050201 AM	AMX	AMX	20	40	10	5
331050211 AM	AMX	AMX	21	40	10	5
331050221 AM	AMX	AMX	22	40	10	5
331050231 AM	AMX	AMX	23	40	10	5
331050241 AM	AMX	AMX	24	45	13	5
331050251 AM	AMX	AMX	25	45	13	5
331050261 AM	AMX	AMX	26	45	13	5
331050271 AM	AMX	AMX	27	45	13	5
331050281 AM	AMX	AMX	28	45	13	5
331050291 AM	AMX	AMX	29	45	13	6
331050301 AM	AMX	AMX	30	45	13	6
331050311 AM	AMX	AMX	31	50	16	6
331050321 AM	AMX	AMX	32	50	16	6
331050331 AM	AMX	AMX	33	50	16	7
331050341 AM	AMX	AMX	34	50	16	7
331050351 AM	AMX	AMX	35	50	16	7
331050361 AM	AMX	AMX	36	56	19	8
331050371 AM	AMX	AMX	37	56	19	8
331050381 AM	AMX	AMX	38	56	19	8
331050391 AM	AMX	AMX	39	56	19	8
331050401 AM	AMX	AMX	40	56	19	8
331050421 AM	AMX	AMX	42	56	19	8
331050441 AM	AMX	AMX	44	63	22	8
331050451 AM	AMX	AMX	45	63	22	8
331050461 AM	AMX	AMX	46	63	22	8
331050471 AM	AMX	AMX	47	63	22	8
331050481 AM	AMX	AMX	48	63	22	8
331050491 AM	AMX	AMX	49	63	22	8
331050501 AM	AMX	AMX	50	63	22	8
331050521 AM	AMX	AMX	52	71	27	8
331050551 AM	AMX	AMX	55	71	27	8
331050581 AM	AMX	AMX	58	71	27	10
331050601 AM	AMX	AMX	60	71	27	10
331050621 AM	AMX	AMX	62	80	32	10
331050651 AM	AMX	AMX	65	80	32	10
331050681 AM	AMX	AMX	68	80	32	10
331050701 AM	AMX	AMX	70	80	32	10
331050721 AM	AMX	AMX	72	90	40	10
331050751 AM	AMX	AMX	75	90	40	10
331050781 AM	AMX	AMX	78	90	40	10
331050801 AM	AMX	AMX	80	90	40	12
331050821 AM	AMX	AMX	82	90	40	12
331050851 AM	AMX	AMX	85	90	40	12
331050881 AM	AMX	AMX	88	100	50	12
331050901 AM	AMX	AMX	90	100	50	14
331050921 AM	AMX	AMX	92	100	50	14
331050951 AM	AMX	AMX	95	100	50	14
331050981 AM	AMX	AMX	98	100	50	14
331051001 AM	AMX	AMX	100	100	50	14

**Z5÷14**



### MATERIALI LAVORABILI / WORKPIECE MATERIALS

serie series	TITANIO TITANIUM	HRSA HRSA	ACCIAI INOSSIDABILI STAINLESS STEELS	MATERIALI NON FERROSI NON FERROUS MATERIALS	LEGHE LEGGERE LIGHT ALLOYS	ACCIAI STEELS	GHISE CAST IRON
33105	○	○	○	○	○	●	●