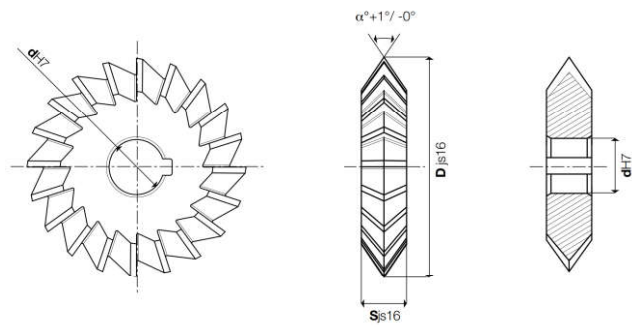


HSS-PM HSS-PM Line

Serie/Series 06105

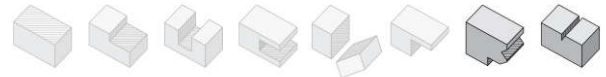
Frese ad angolo prismatiche
Double equal angle cutters



COATING	H	UNI 3907 DIN 847 ISO 6108	Z 20÷30
Skin			

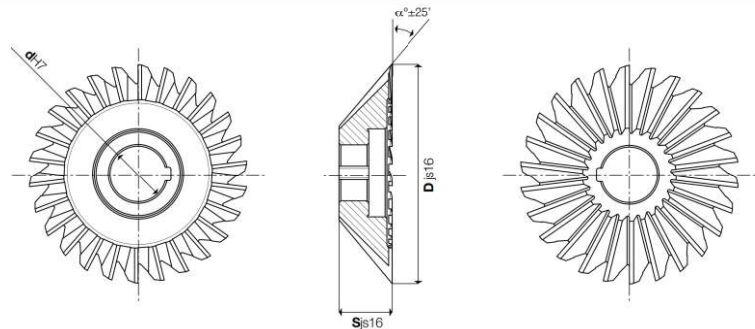


Cod. Art.	X-85 (PM Co 8,5%)	COATED	D js16	α° +17° - 0°	S js16	dh7	Z
061054056	CM	CMX	56	45	10	16	24
061054063	CM	CMX	63	45	12	22	22
061054080	CM	CMX	80	45	16	22	26
061054100	CM	CMX	100	45	18	27	30
061056056	CM	CMX	56	60	12	16	22
061056063	CM	CMX	63	60	16	22	20
061056080	CM	CMX	80	60	20	22	24
061056100	CM	CMX	100	60	25	27	26
061059056	CM	CMX	56	90	14	16	22
061059063	CM	CMX	63	90	18	22	20
061059080	CM	CMX	80	90	22	22	22
061059100	CM	CMX	100	90	28	27	24



Serie/Series 06110

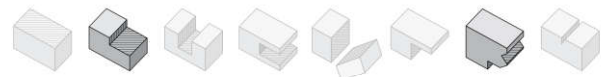
Frese ad angolo
Angular cutters



COATING	H	UNI 3908 DIN 842A ISO	Z16÷26
Skin			



Cod. Art.	X-85 (PM Co 8,5%)	COATED	D js16	α° $\pm 25^\circ$	S js16	dh7	Z
061104040	CM	CMX	40	45	12	10	18
061104050	CM	CMX	50	45	15	13	20
061104063	CM	CMX	63	45	18	16	20
061104080	CM	CMX	80	45	23	22	24
061104100	CM	CMX	100	45	30	27	24
061104125	CM	CMX	125	45	38	32	26
061104160	CM	CMX	160	45	45	40	26
061105040	CM	CMX	40	50	13	10	16
061105050	CM	CMX	50	50	16	13	18
061105063	CM	CMX	63	50	20	16	20
061105080	CM	CMX	80	50	25	22	22
061105100	CM	CMX	100	50	32	27	26
061105125	CM	CMX	125	50	40	32	26
061105160	CM	CMX	160	50	50	40	26
061106040	CM	CMX	40	60	13	10	18
061106050	CM	CMX	50	60	16	13	18
061106063	CM	CMX	63	60	20	16	18
061106080	CM	CMX	80	60	25	22	20
061106100	CM	CMX	100	60	32	27	22
061106125	CM	CMX	125	60	40	32	24
061106160	CM	CMX	160	60	50	40	26



MATERIALI LAVORABILI / WORKPIECE MATERIALS

serie	TITANIO TITANIUM	HRSA HRSA	ACCIAI INOSSIDABILI STAINLESS STEELS	MATERIALI NON FERROSI NON FERROUS MATERIALS	LEGHE LEGGERE LIGHT ALLOYS	ACCIAI STEELS	GHISE CAST IRON
06105	●	●	●	○	○	●	●
06110	●	●	●	○	○	●	●