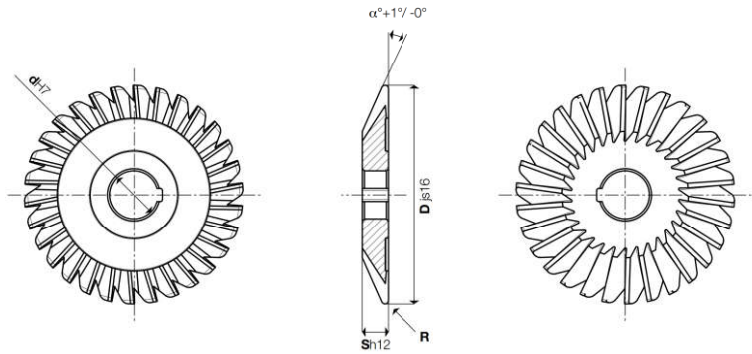


# HSS-PM HSS-PM Line

## Serie/Series 06120

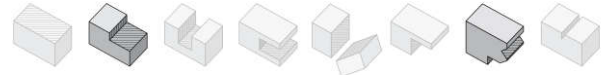
Frese ad angolo per utensili  
Angular cutters for toolmaking



COATING <b>Skin</b>	H	UNI 3910A DIN 1824A ISO	<b>Z24÷30</b>
------------------------	---	-------------------------------	---------------

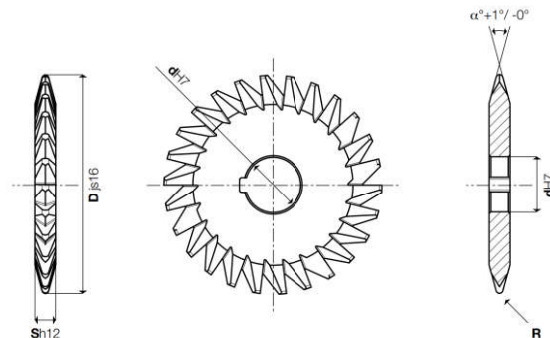


Cod. Art.	X-85 (PM Co. 8,5%)	COATED	Djs16	α° +1°/-0°	Sh12	dh7	R	Z
061201056	CM	CMX	56	18	6	16	1	26
061201080	CM	CMX	80	18	9	22	1,2	26
061201100	CM	CMX	100	18	12	22	1,6	30
061202056	CM	CMX	56	24	6	16	1	24
061202080	CM	CMX	80	24	9	22	1,2	26
061202100	CM	CMX	100	24	12	22	1,6	30
061203056	CM	CMX	56	30	6	16	1	24
061203080	CM	CMX	80	30	9	22	1,2	26
061203100	CM	CMX	100	30	12	22	1,6	30



## Serie/Series 06125

Frese ad angolo per utensili  
Angular cutters for toolmaking



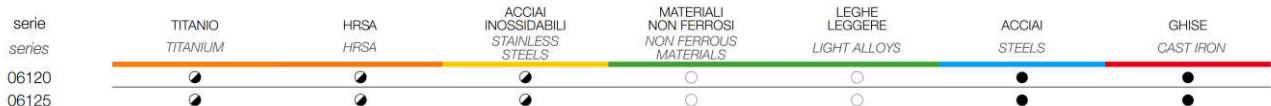
COATING <b>Skin</b>	H	UNI 3910B DIN 1824B ISO 2586	<b>Z26÷30</b>
------------------------	---	------------------------------------	---------------



Cod. Art.	X-85 (PM Co. 8,5%)	COATED	Djs16	α° +1°/-0°	Sh12	dh7	R	Z
061251863	CM	CMX	63	18	6	16	1	26
061251890	CM	CMX	90	18	10	22	1,6	30
061252463	CM	CMX	63	24	6	16	1	26
061252490	CM	CMX	90	24	10	22	1,6	30
061253063	CM	CMX	63	30	6	16	1	26
061253090	CM	CMX	90	30	10	22	1,6	30



### MATERIALI LAVORABILI / WORKPIECE MATERIALS



● consigliata/recommended ○ accettabile/acceptable ○ non consigliata/not recommended