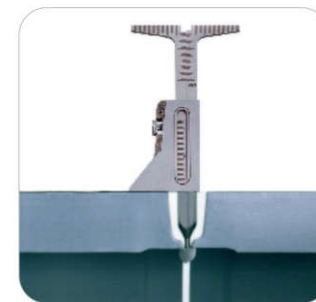
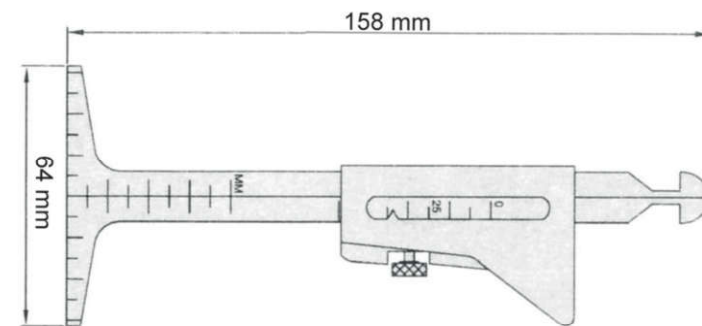
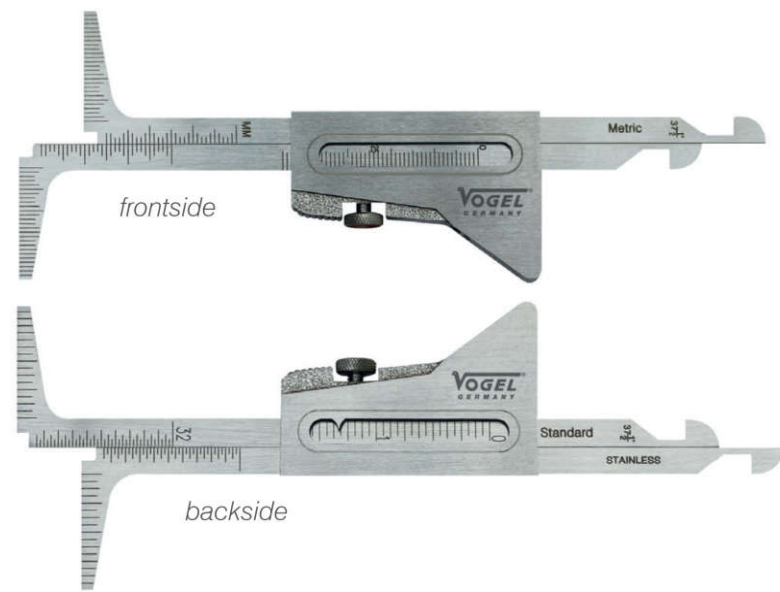
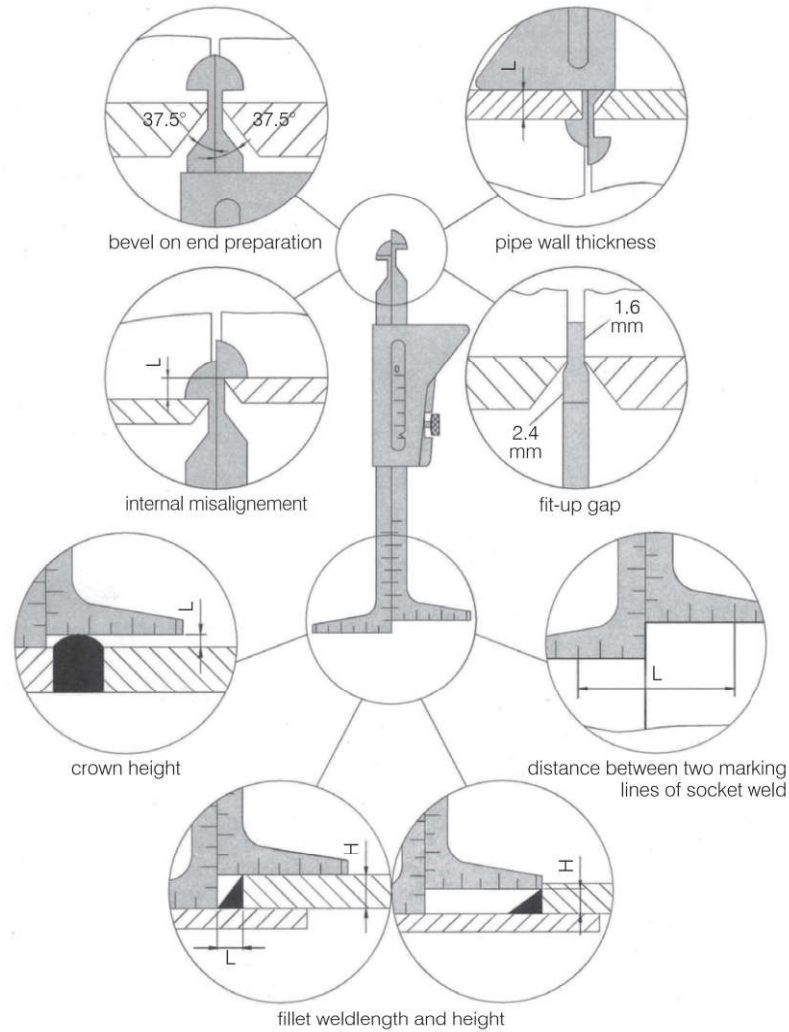


# Pipe Welding Gauge / Edge Offset Gauge

- with opposite movable measuring jaws
- for pipe welds up to 35 mm wall thickness
- stainless steel, hardened, polished surfaces
- reading scale in mm and inch, laser engraved graduation
- with reading window, with fixing screw



<p><b>ART N°</b></p>	<p>mm</p>	<p>mm</p>	<p>mm</p>
<p>474409</p>	<p>35</p>	<p>1.0</p>	<p>158 x 64 x 7</p>