

# Precision Pocket Vernier Calipers

1

2b

3

4

5

6

7

8

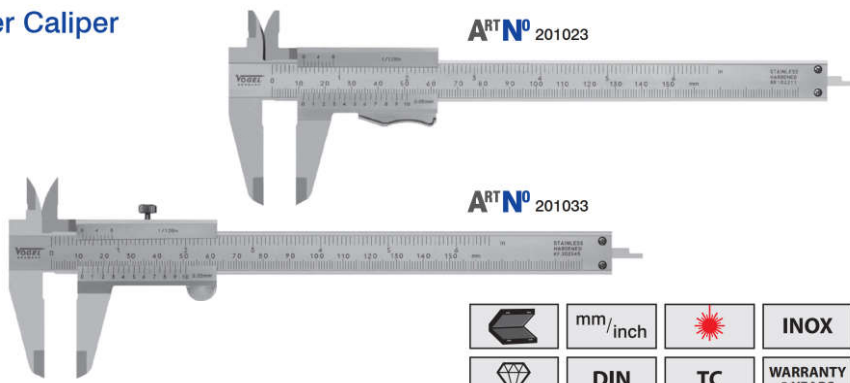
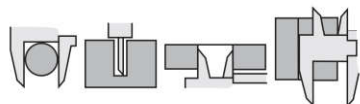
9

10

11

## SILVER-LINE® Precision Pocket Vernier Caliper DIN 862

- for professional industry purposes
- stainless steel, hardened
- reading in mm/inch, scale laser engraved
- reading satin chrome finish
- jaws fine ground and lapped
- mono-block vernier
- flat depth gauge

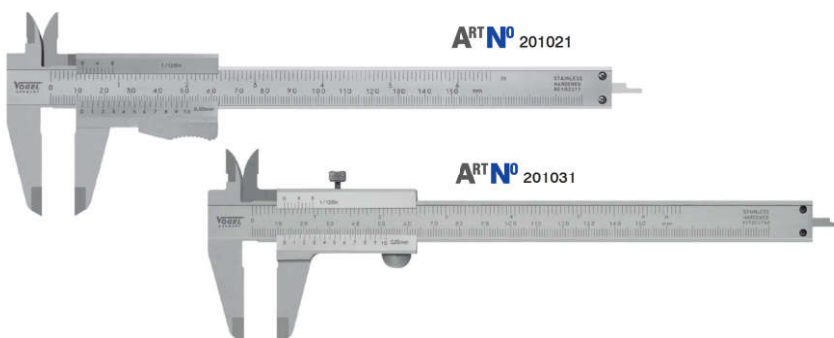
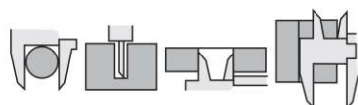


	mm/inch		INOX
	DIN	TC	WARRANTY 3 YEARS

ART No	type	mm / inch	mm bottom	inch top				KG	ART No CC
201023	thumb locking	150 / 6	0.05	1/128	40	16	flat	0.150	2094001
201033	fixing screw	150 / 6	0.05	1/128	40	16	flat	0.150	2094001

## BLUE-LINE® Pocket Vernier Caliper DIN 862

- suitable for workshop use (standard)
- stainless steel, hardened
- reading in mm/inch, scale laser engraved
- reading satin chrome finish
- jaws fine ground and lapped
- mono-block vernier
- flat or round depth gauge

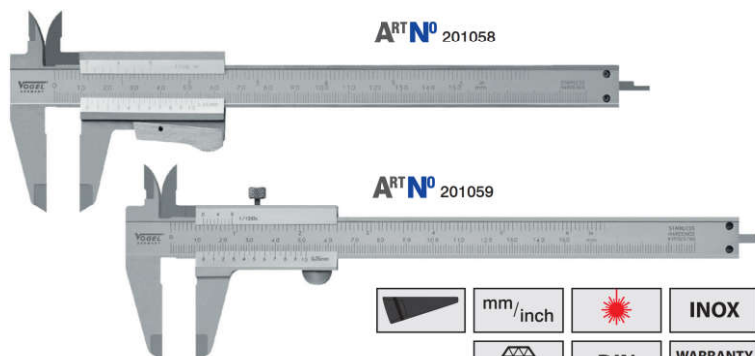
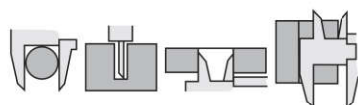


	mm/inch		INOX		DIN	WARRANTY 2 YEARS
--	---------	--	------	--	-----	------------------

ART No thumb locking	ART No fixing screw	mm / inch	mm bottom	inch top				KG	ART No CC
201021	201031	150 / 6	0.05	1/128	40	16	flat	0.150	2094001
201022	201032	150 / 6	0.05	1/128	40	16	round	0.150	2094001
201024	201034	200 / 8	0.05	1/128	50	19	flat	0.170	2094001
201025	201035	150 / 6	0.02	1/1000	40	16	flat	0.150	2094001
201026	201036	200 / 8	0.02	1/1000	40/50	16/19	flat	0.170	2094001
-	201038	200 / 8	0.05	1/128	40	16	round	0.170	2094001
-	201013	300 / 12	0.05	1/128	60	20	flat	0.250	2094001
-	201015	300 / 12	0.02	1/1000	64	20	flat	0.250	2094001

## BLUE-LINE® Pocket Vernier Caliper DIN 862

- for craftsmen
- stainless, hardened
- reading in mm/inch, scale laser engraved
- scale and vernier satin chrome finish
- jaws fine ground, flat depth gauge
- mono-block vernier



	mm/inch		INOX
	DIN		WARRANTY 1 YEAR

ART No thumb locking	ART No fixing screw	mm / inch	mm bottom	inch top				KG	ART No CC
201058	201059	150 / 6	0.05	1/128	40	16	flat	0.155	2094001