



## „Absolute“ Electr. Digital Workshop Caliper • IP54

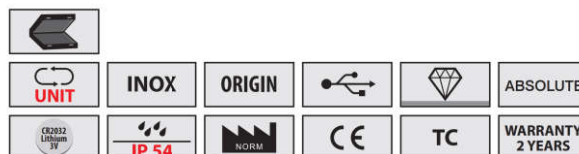
workshop grade

• water- and coolant proof acc. 40050 / IEC 60529

- large LCD display with clear reading, 11 mm digit height
- mechanic parts, stainless steel, hardened
- measuring jaws finely ground and lapped
- offset jaws for inside measurements
- with PRESET/ORIGIN/ABS/INC-system
- On/Off button, mm/inch switchable zero-setting at any position
- zero-setting at any position, DATA HOLD function
- with fine adjustment, with or without knife points
- incl. 2 x 3V batteries (type CR2032, art.-no. 2002093) with operation manual

### Options

- data transfer via cable, art.-no. 2420194, see page 304
- data transfer via WiFi, art.-no. 2040101, see page 304
- data transfer via Bluetooth, art.-no. 2023106 + 209000, see page 304



ART No	mm / inch	mm / inch	mm	max. mm	mm	mm	ø mm	KG	ART No CC
207030	300 / 12	0.01 / 0.0005	0.01	0.03	90	38	10	0.375	2094103
207031	500 / 20	0.01 / 0.0005	0.01	0.05	150	60	20	1.180	2094105
207032	1000 / 40	0.01 / 0.0005	0.01	0.06	150	63	20	2.400	2094110
207130	300 / 12	0.01 / 0.0005	0.01	0.03	90	-	10	0.375	2094103
207131	500 / 20	0.01 / 0.0005	0.01	0.05	150	-	20	1.180	2094105
207132	1000 / 40	0.01 / 0.0005	0.01	0.06	150	-	20	2.400	2094110



## Electr. Digital Workshop Caliper

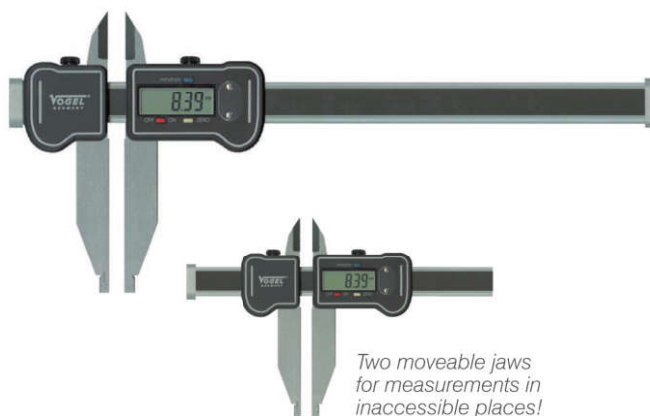
workshop grade

- with two moveable, exchangeable jaws
- modern design, lightweight model, made of anodized hard aluminium

- stainless, hardened measuring jaws and tips
- jaws finely ground
- with two adjustable, exchangeable measuring jaws
- LCD display with clear reading, digit height 10 mm
- On/Off button, mm/inch switchable, zero setting at any position
- slides perfectly because of double-prismatic-lead
- rail and electronic housing made of anodized aluminium
- incl. 1x 1.5 V battery (type LR44, art.-no.: 2020192-B) with operation manual

### Options

- art.-no. 200891 measuring jaw-pair, jaw length 125 mm, exchangeable
- art.-no. 200892 measuring jaw-pair, jaw length 150 mm, exchangeable



measuring jaw-pair



ART No	mm / inch	mm / inch	mm	max. mm	mm	mm	ø mm	KG	ART No CC
200880	300 / 12	0.01 / 0.0005	0.01	0.04	90	40	10	0.500	2094103
200881	500 / 20	0.01 / 0.0005	0.01	0.05	90	40	10	0.600	2094105
200882	800 / 32	0.01 / 0.0005	0.01	0.06	90	40	10	1.000	2094110