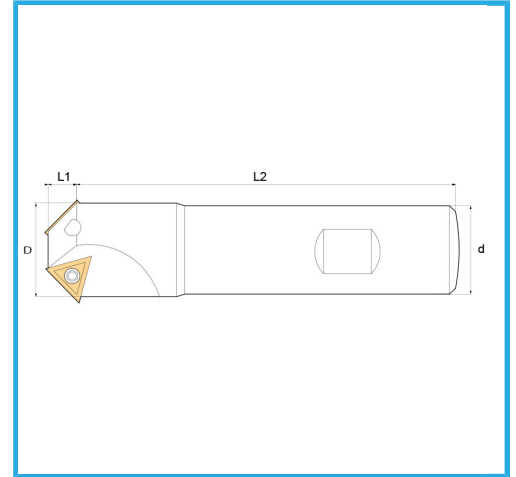
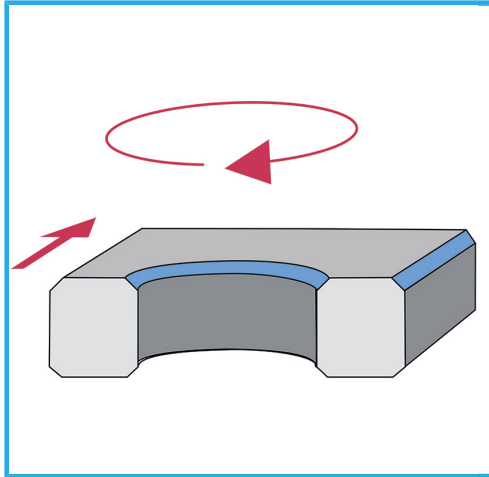
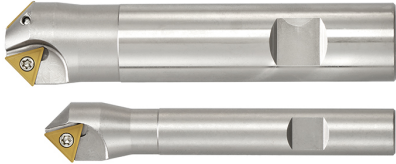


WITH CYLINDRICAL SHANK, FOR DEBURRING OF HOLES, SLOTS AND POCKETS, FOR MILLING PLATE EDGES.



D	16/22 mm
d	12/20 mm
L1	7 mm
L2	90/100 mm
Z	1 / 2
Screw	KV250
Insert (not included)	TCMT1102
Gross weight	0,33 kg
Packaging dimensions	100x40x40 h mm
EAN Code	8012667179557



Box



Satin



Nickel
plated



External