

HG

Spare parts



HG CONVEYOR BELT

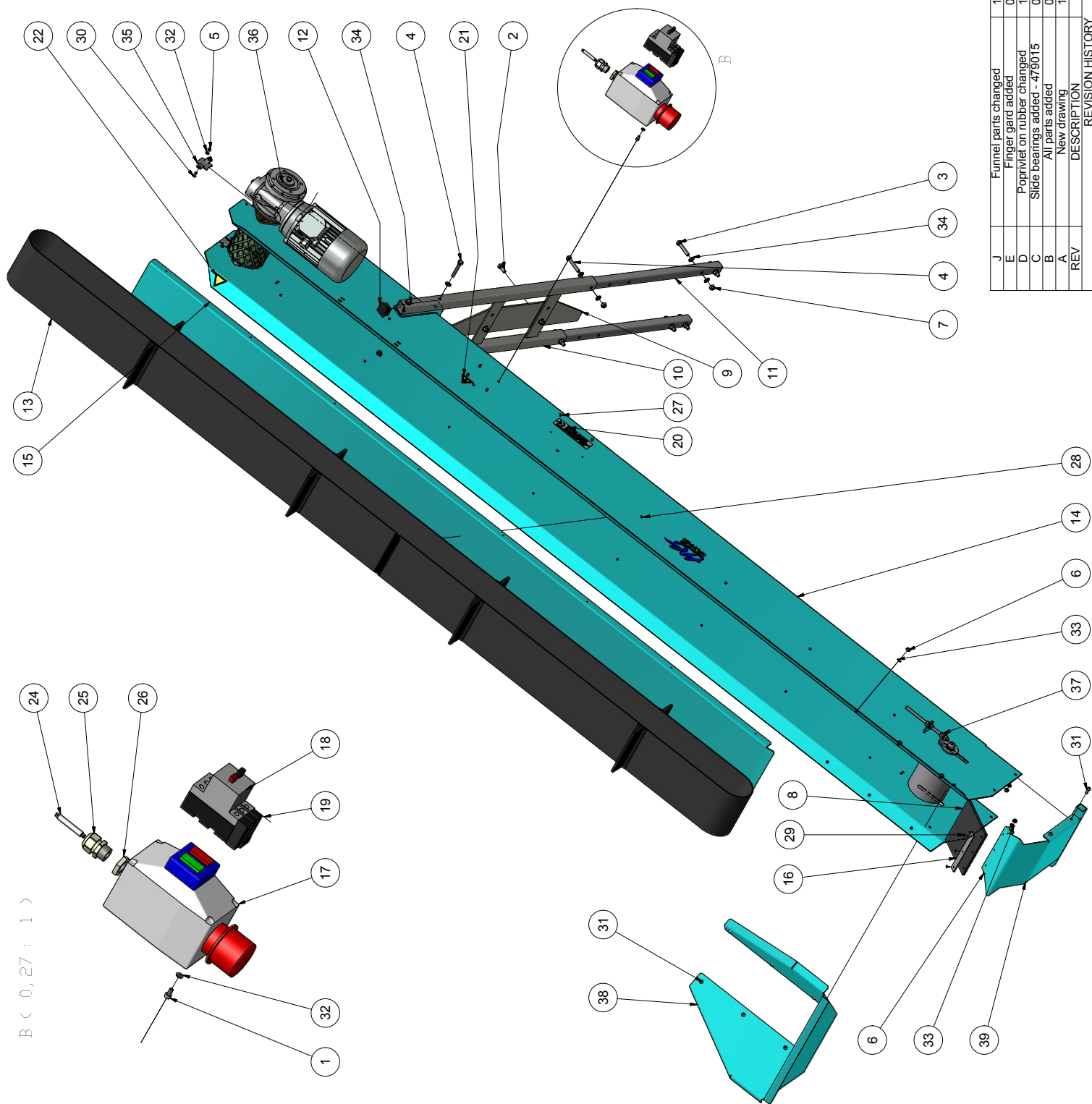
CE

1. Table of content

1. Table of content
2. Spare parts

Parts List

ITEM	QTY	PART NUMBER	DESCRIPTION
1	4	10205010	Bolt.unbraco cyl.5x10 FZB
2	2	11408020	Hexagon bolt M8x20 FZB
3	4	11408045	Hexagon bolt M8x45 FZB
4	6	11408050	Hexagon bolt M8x50 FZB
5	4	17905000	Self-locking nut M5 FZB
6	12	17906000	Self-locking nut M6 FZB
7	10	17908000	Self-locking nut M8 FZB
8	1	204743	Rubber for 150mm conveyer
9	1	204744	Stabilization plate for leg
10	1	204746	Fixed leg for conveyer
11	2	204747	Adjustable leg for 2.8m
12	2	204749	End cap 30x30mm
13	1	204762	Conveyer belt w=150 mm
14	1	204791	Body for conveyer
15	1	204792	Supportplate for belt
16	1	204801	Tighten plate scraper
17	1	204951	ABL Capsuling w-CEE indtl 16A 4
18	1	204952	Motor protection 1.0-1.6amp
19	1	204953	Undervoltage release 400V
20	1	30046	Id plate HG Conveyer
21	1	31006	Warning sign High voltage
22	1	31008	Warning Sign rotating parts
23	2	423439	HG Logo 75x110
24	0,9 m	600260	Cable JZ 4G1.0 R-100
25	1	600455	Cabel gland M20 Ø5-12
26	1	600475	Nut M20 polyamid
27	2	7003206	Blind rivet 3.2x6mm
28	16	7003208	Pop rivet ø3.2x8mm
29	3	7003216	Blind rivet 3.2x16mm
30	4	76005012	Bolt buttonhead 5x12 FZB
31	12	76006016	Bolt buttonhead 6x16 FZB
32	8	82105900	Washer M5 FZB
33	12	82106000	Washer M6 FZB
34	21	82108000	Washer M8 FZB
35	2	M100859	Coverplate for conveyer
36	1	M100865	Gear assembly conveyer
37	1	M100867	Turn roll conveyer
38	1	M100972	Chute for 150mm conveyer
39	1	M100973	Lower leg for conveyer



Alle kanter reifes
Breake all edges

Scale: 1:7,5

DS/ISO 2768-m

Part No.: 204296

Description: Conveyer 150x2800

Revision: 02

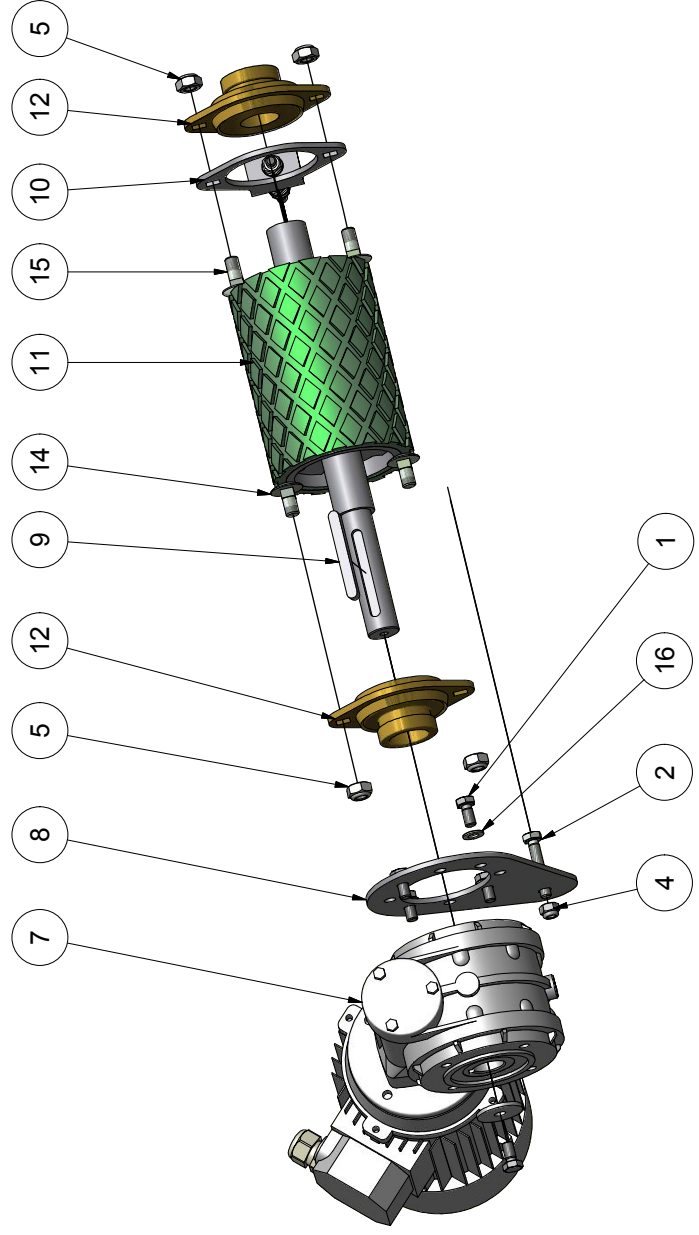
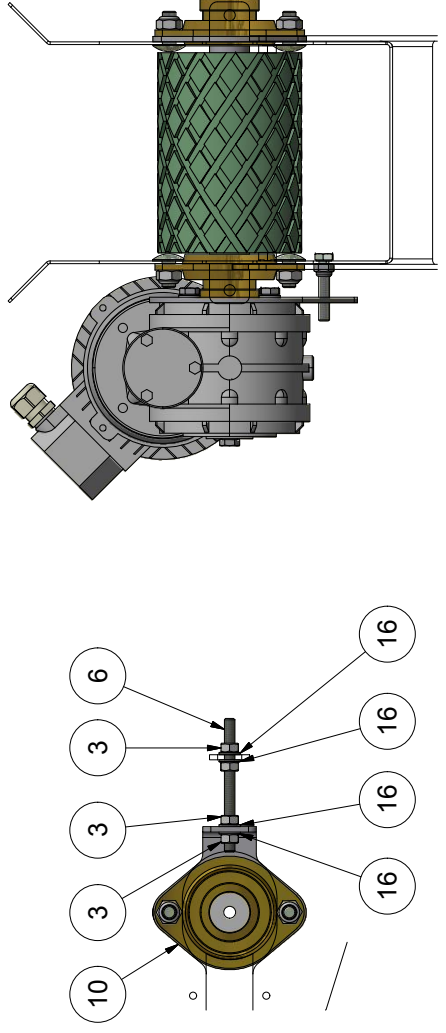
Date: 10-02-2011

Page: 1 / 2

REV	DESCRIPTION	DATE	APPROVED
J	Funnel parts changed	10-02-2011	MRH
E	Finger gard added	08-12-2015	KL
D	Poprivlet on rubber changed	13-01-2014	KL
C	Slide bearings added - 479015	06-05-2013	MRH
B	All parts added	08-04-2013	MRH
A	New drawing	10-02-2011	KL

PARTS LIST

ITEM	QTY	PART NUMBER	DESCRIPTION
1	5	11408016	Hexagon bolt M8x16 FZB
2	1	11408045	Hexagon bolt M8x45 FZB
3	4	1508000	Nut M8 FZB
4	1	17908000	Self-locking nut M8 FZB
5	4	17910000	Self-locking nut M10 FZB
6	100 mm	19608000	Thread pin M8
7	1	204765	Gear motor for HG conveyor
8	1	204775	Momentarm for RMI 50
9	1	204795	Key 8x7x70mm DIN-6885A
10	1	204797	Adjusting plate for bearing
11	1	204802	Pull Roll
12	2	473175	Y-Bearing PFT-30FM
13	1	4809335	Washer type SRKB ø9x35x3
14	2	64410020	Cup head square neck bolt M10x20 FZB
15	2	64410025	Cup head square neck bolt M10x25 FZB
16	8	82108000	Washer M8 FZB



Alle kanten reifes
Breake all edges

HGS
Hedensted Gruppen
HEDENSTED GRUPPEN A/S

Scale: (Image of a scale bar)
DS/ISO 2768-m
Overfl. bearbejdningsforhold: No

Part No: M100865
Description: Gear assembly conveyor

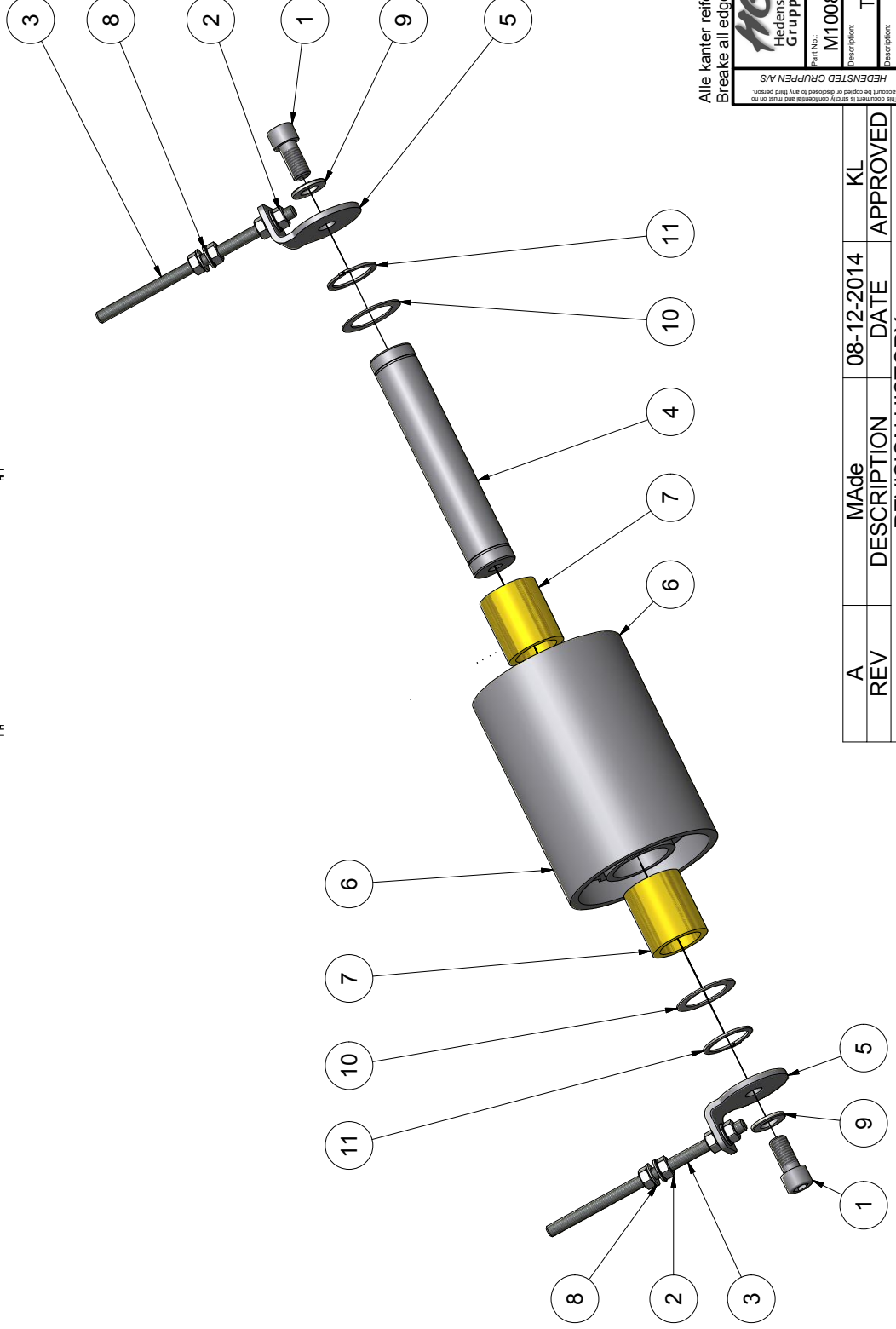
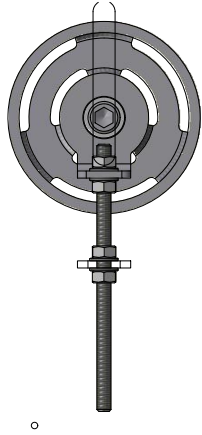
Sheet size: A3
Sheet: 1/1

This document is strictly confidential and shall not be reproduced or disseminated in any form without the prior written consent of Hedensted Gruppen A/S.

A	Made	08-12-2014	KL
REV	DESCRIPTION	DATE	APPROVED
REVISION HISTORY			

PARTS LIST

ITEM	QTY	PART NUMBER	DESCRIPTION
1	2	10212025	Bolt.unbraco cyl 12x25 FZB
2	8	1508000	Nut M8 FZB
3	300 mm	19608000	Thread pin M8
4	1	204785	Driven shaft
5	2	204800	Angle for belt tensioner
6	1	204805	Turn Roll
7	2	479015	Slide bearing 30-40x45
8	8	82108000	Washer M8 FZB
9	2	82112000	Washer M12 FZB
10	2	88730100	Shim washer ø30x42x1,0
11	2	89730000	Seeger ring for shaft Ø30 din 471



Alle kanter reifes
Breake all edges

HGS
Hedenssted Gruppen
HEDENSTED GRUPPEN A/S

Scale: (Image of a scale bar)
Have ang vet tolerance in./ Not specified tolerance according to: **DS/ISO 2768-m**
Overfl. bearbejdningsforhold: **No**

Part No.: **M100867**
Material:
Description: **Turn roll conveyor**

Sheet size: **A3**
Sheet: **1 / 1**

REV	DESCRIPTION	DATE	APPROVED
A	Made	08-12-2014	KL

REVISION HISTORY