

# HG

---

## Spare parts



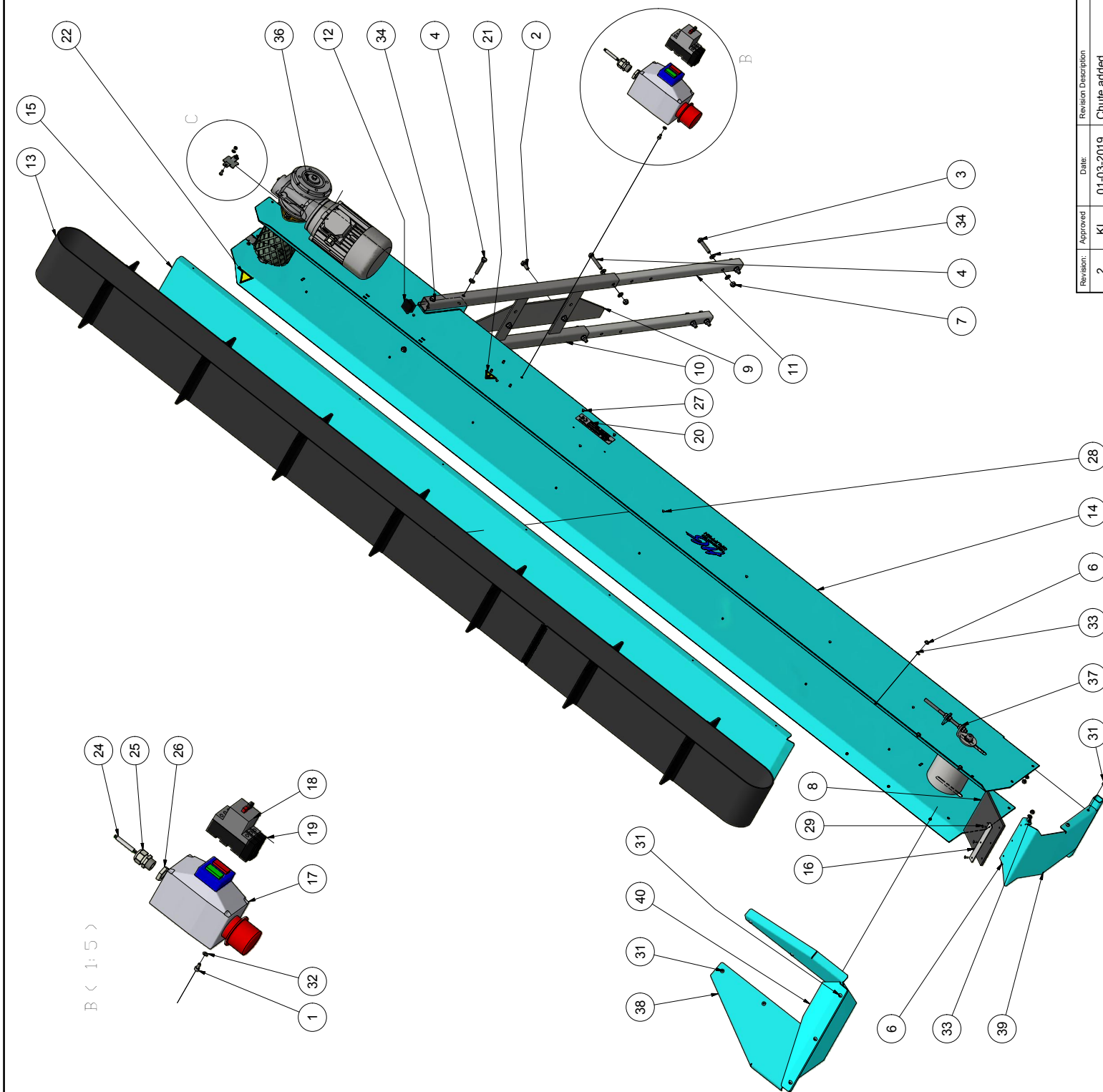
# HG CONVEYOR BELT

# CE

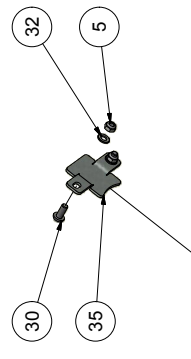
## **1. Table of content**

1. Table of content
2. Spare parts

ITEM	QTY	PART NUMBER	DESCRIPTION
1	4	10205010	Hexagon cylinder head M5x10 FZB
2	2	11408020	Hexagon bolt M8x20 FZB
3	4	11408045	Hexagon bolt M8x45 FZB
4	6	11408050	Hexagon bolt M8x50 FZB
5	4	17905000	Self-locking nut M5 FZB
6	15	17906000	Self-locking nut M6 FZB
7	10	17908000	Self-locking nut M8 FZB
8	1	204743	Rubber for 150mm conveyor
9	1	204744	Stabilization plate for leg
10	1	204746	Fixed leg for conveyor
11	2	204747	Adjustable leg for 2.8m
12	2	204749	End cap 30x30mm Black
13	1	204762	Conveyor belt for 150 x 2800 mm
14	1	204791	Body for conveyor
15	1	204792	Supportplate for belt
16	1	204801	Tighten plate scraber
17	1	204951	Box ABL with CEE indt 16A 4
18	1	204952	Motor protection 1.0-1.6A ABL
19	1	204953	Undervoltage release 400V
20	1	30046	Id plate HG Conveyor
21	1	31006	Warning sign high voltage
22	1	31008	Warning Sign rotating parts
23	2	423439	HG Logo - size 75 x110mm
24	0.9 m	600260	Cable JZ 4x1.0mm² PVC
25	2	600455	Cabel gland M20 Ø5-12
26	1	600475	Cable gland nut polyamid M20
27	2	7003206	Blind rivet Ø3.2x6 (2.5-3.5)
28	16	7003208	Blind rivet Ø3.2x8 (4-5.5)
29	3	7003216	Blind rivet Ø3.2x16 (9-13)
30	4	76005012	Buttonhead bolt M5x12 FZB
31	15	76006016	Buttonhead bolt M6x16 FZB
32	8	82105900	Washer M5 FZB
33	15	82106000	Washer M6 FZB
34	21	82108000	Washer M8 FZB
35	2	M100859	Coverplate for conveyor
36	1	M100865	Gear assembly, conveyor
37	1	M100867	Turn roll conveyor
38	1	M100972	Chute for 150mm conveyor
39	1	M100973	Lower leg for conveyor
40	1	M103850	Chute 2 for 150mm conveyor



C < 1 : 3 >



Break all edges

**HG**  
 HILTI GROUP  
 HILTI AG  
 HILTI (UK) LTD  
 HILTI (USA) INC  
 HILTI (CANADA) LTD  
 HILTI (MEXICO) S.A. DE CV  
 HILTI (BRAZIL) LTDA  
 HILTI (INDIA) PRIVATE LTD  
 HILTI (CHINA) CO. LTD  
 HILTI (RUSSIA) LLC  
 HILTI (TURKEY) TIC. A. S.  
 HILTI (SOUTH AFRICA) PTY LTD  
 HILTI (EGYPT) LTD  
 HILTI (ISRAEL) LTD  
 HILTI (AUSTRALIA) PTY LTD  
 HILTI (NEW ZEALAND) LTD  
 HILTI (SINGAPORE) PTE LTD  
 HILTI (MALAYSIA) SDN BHD  
 HILTI (THAILAND) CO. LTD  
 HILTI (VIETNAM) CO. LTD  
 HILTI (PHILIPPINES) INC  
 HILTI (INDONESIA) PT  
 HILTI (JAPAN) LTD  
 HILTI (KOREA) LTD  
 HILTI (TAIWAN) LTD  
 HILTI (HONG KONG) LTD  
 HILTI (MACAU) LTD  
 HILTI (GUAM) LTD  
 HILTI (MEXICO) S.A. DE CV  
 HILTI (BRAZIL) LTDA  
 HILTI (INDIA) PRIVATE LTD  
 HILTI (CHINA) CO. LTD  
 HILTI (RUSSIA) LLC  
 HILTI (TURKEY) TIC. A. S.  
 HILTI (SOUTH AFRICA) PTY LTD  
 HILTI (EGYPT) LTD  
 HILTI (ISRAEL) LTD  
 HILTI (AUSTRALIA) PTY LTD  
 HILTI (NEW ZEALAND) LTD  
 HILTI (SINGAPORE) PTE LTD  
 HILTI (MALAYSIA) SDN BHD  
 HILTI (THAILAND) CO. LTD  
 HILTI (VIETNAM) CO. LTD  
 HILTI (PHILIPPINES) INC  
 HILTI (INDONESIA) PT  
 HILTI (JAPAN) LTD  
 HILTI (KOREA) LTD  
 HILTI (TAIWAN) LTD  
 HILTI (HONG KONG) LTD  
 HILTI (MACAU) LTD  
 HILTI (GUAM) LTD

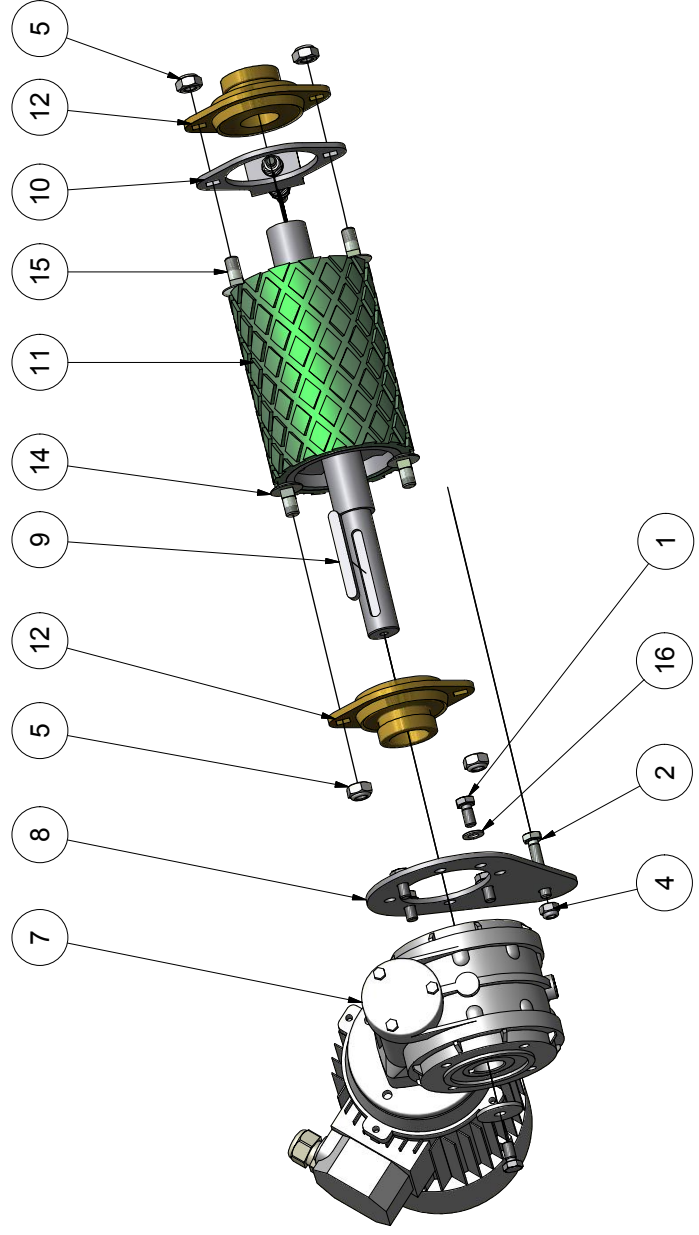
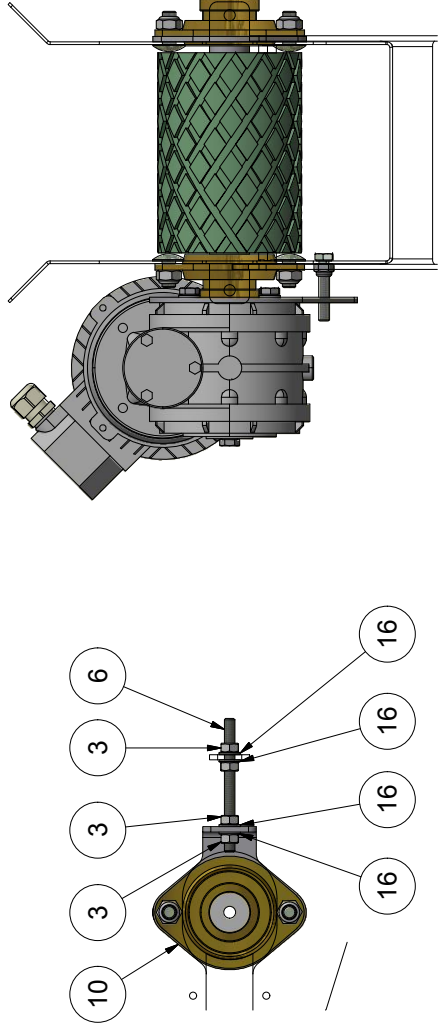
Scale: 1 : 7.5  
 Material: NO  
 Part No.: 204296  
 Description 1: HG Conveyor 150x2800mm  
 Description 2: 3x400V+PE

Sheet: A2  
 Sheet: 1 / 2

Revision	Approved	Date	Revision Description
2	KL	01-03-2019	Chute added

PARTS LIST

ITEM	QTY	PART NUMBER	DESCRIPTION
1	5	11408016	Hexagon bolt M8x16 FZB
2	1	11408045	Hexagon bolt M8x45 FZB
3	4	1508000	Nut M8 FZB
4	1	17908000	Self-locking nut M8 FZB
5	4	17910000	Self-locking nut M10 FZB
6	100 mm	19608000	Thread pin M8
7	1	204765	Gear motor for HG conveyor
8	1	204775	Momentarm for RMI 50
9	1	204795	Key 8x7x70mm DIN-6885A
10	1	204797	Adjusting plate for bearing
11	1	204802	Pull Roll
12	2	473175	Y-Bearing PFT-30FM
13	1	4809335	Washer type SRKB ø9x35x3
14	2	64410020	Cup head square neck bolt M10x20 FZB
15	2	64410025	Cup head square neck bolt M10x25 FZB
16	8	82108000	Washer M8 FZB



Alle kanten reifes  
Breake all edges

**HGS**  
Hedensted Gruppen  
HEDENSTED GRUPPEN A/S

Scale: (Image of a scale bar)  
Hive ang vet tolerance in: / Not specified tolerance according to: **DS/ISO 2768-m**  
Overfl. bearbejdningsforhold: **No**

Part No.: **M100865**  
Revision: **No**

Sheet size: **A3**  
Sheet: **1 / 1**

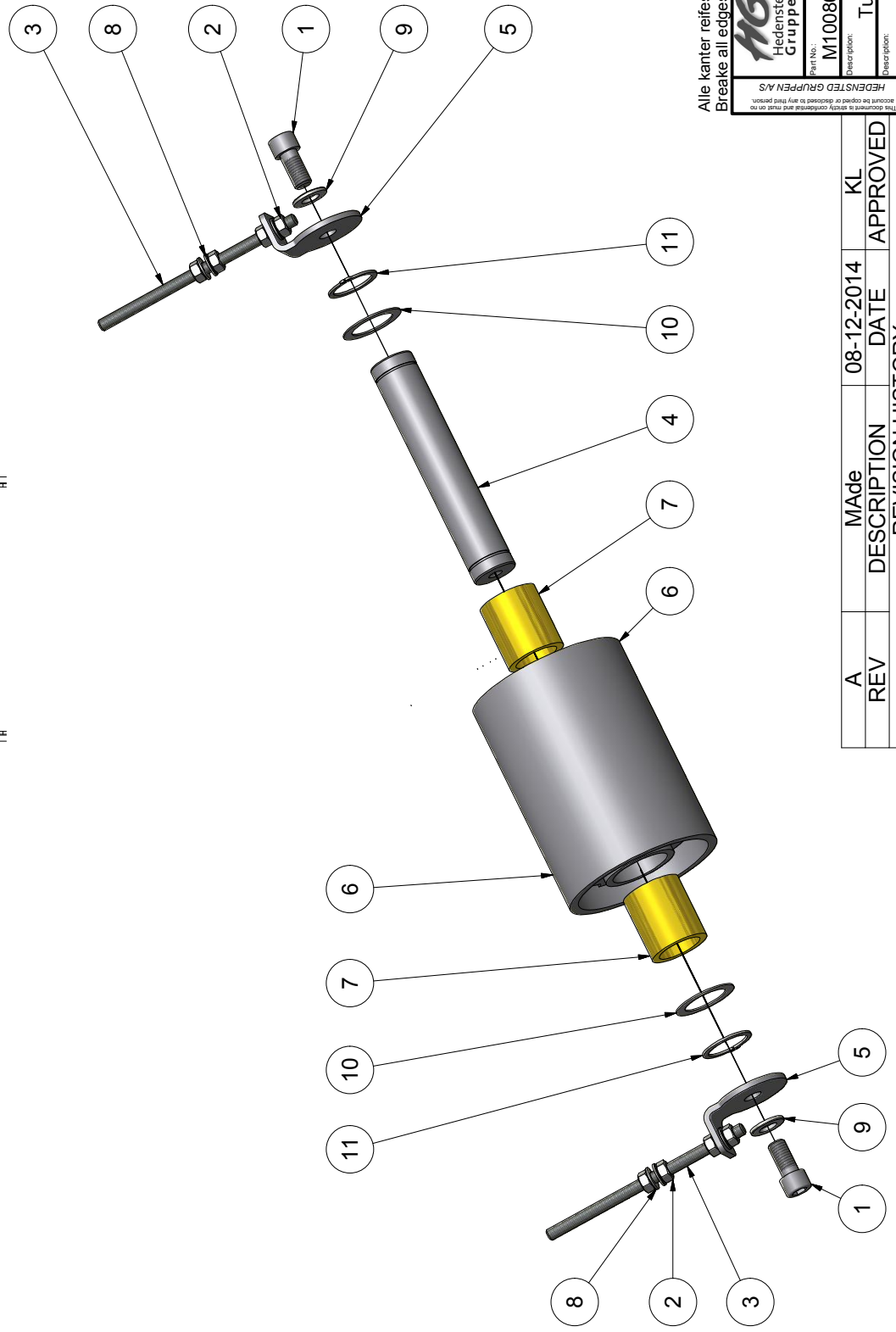
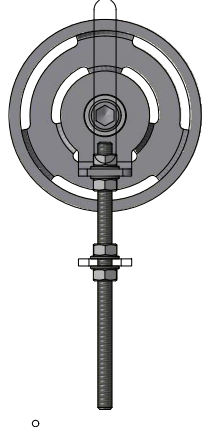
Description: **Gear assembly conveyor**

REV	DESCRIPTION	DATE	APPROVED
A	Made	08-12-2014	KL

REVISION HISTORY

PARTS LIST

ITEM	QTY	PART NUMBER	DESCRIPTION
1	2	10212025	Bolt.unbraco cyl 12x25 FZB
2	8	1508000	Nut M8 FZB
3	300 mm	19608000	Thread pin M8
4	1	204785	Driven shaft
5	2	204800	Angle for belt tensioner
6	1	204805	Turn Roll
7	2	479015	Slide bearing 30-40x45
8	8	82108000	Washer M8 FZB
9	2	82112000	Washer M12 FZB
10	2	88730100	Shim washer ø30x42x1,0
11	2	89730000	Seeger ring for shaft Ø30 din 471



Alle kanter reifes  
Breake all edges

**HGS**  
Hedensted Gruppen  
HEDENSTED GRUPPEN A/S

Scale: DS/ISO 2768-m  
Overf. berøffenhedsforhold: No

Part No: M100867  
Material: Turn roll conveyor

Sheet size: A3  
Sheet: 1/1

This document is strictly confidential and shall not be reproduced or disclosed in any form or by any means without the prior written consent of Hedensted Gruppen A/S.

REV	DESCRIPTION	DATE	APPROVED
A	Made	08-12-2014	KL

REVISION HISTORY