

HG

Spare parts



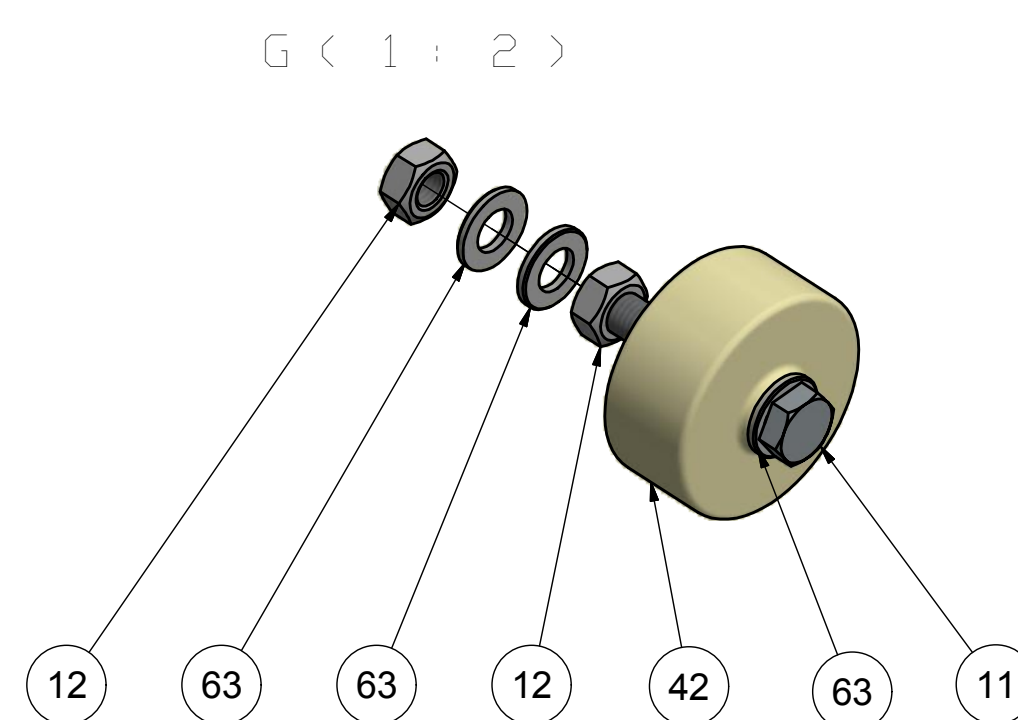
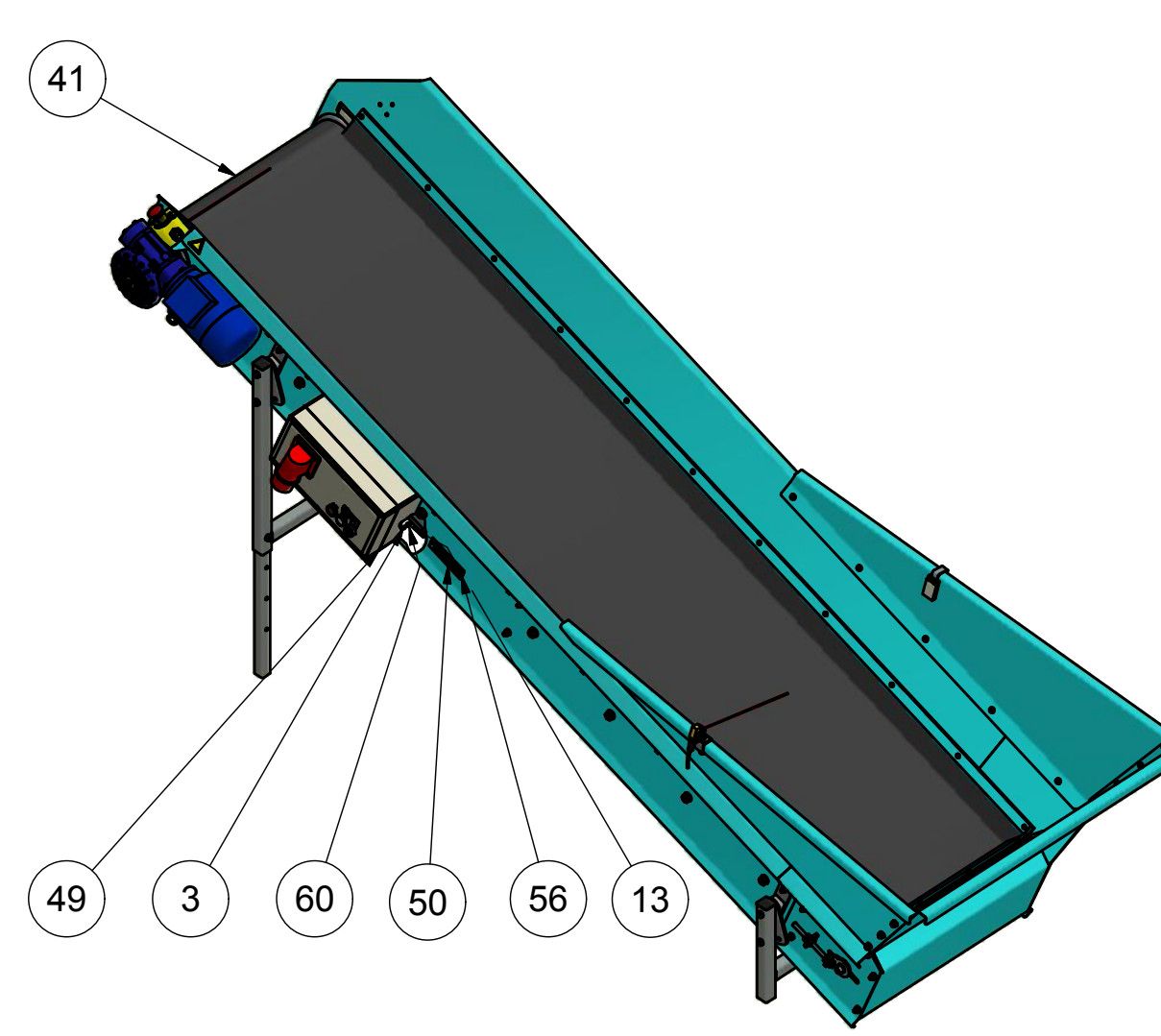
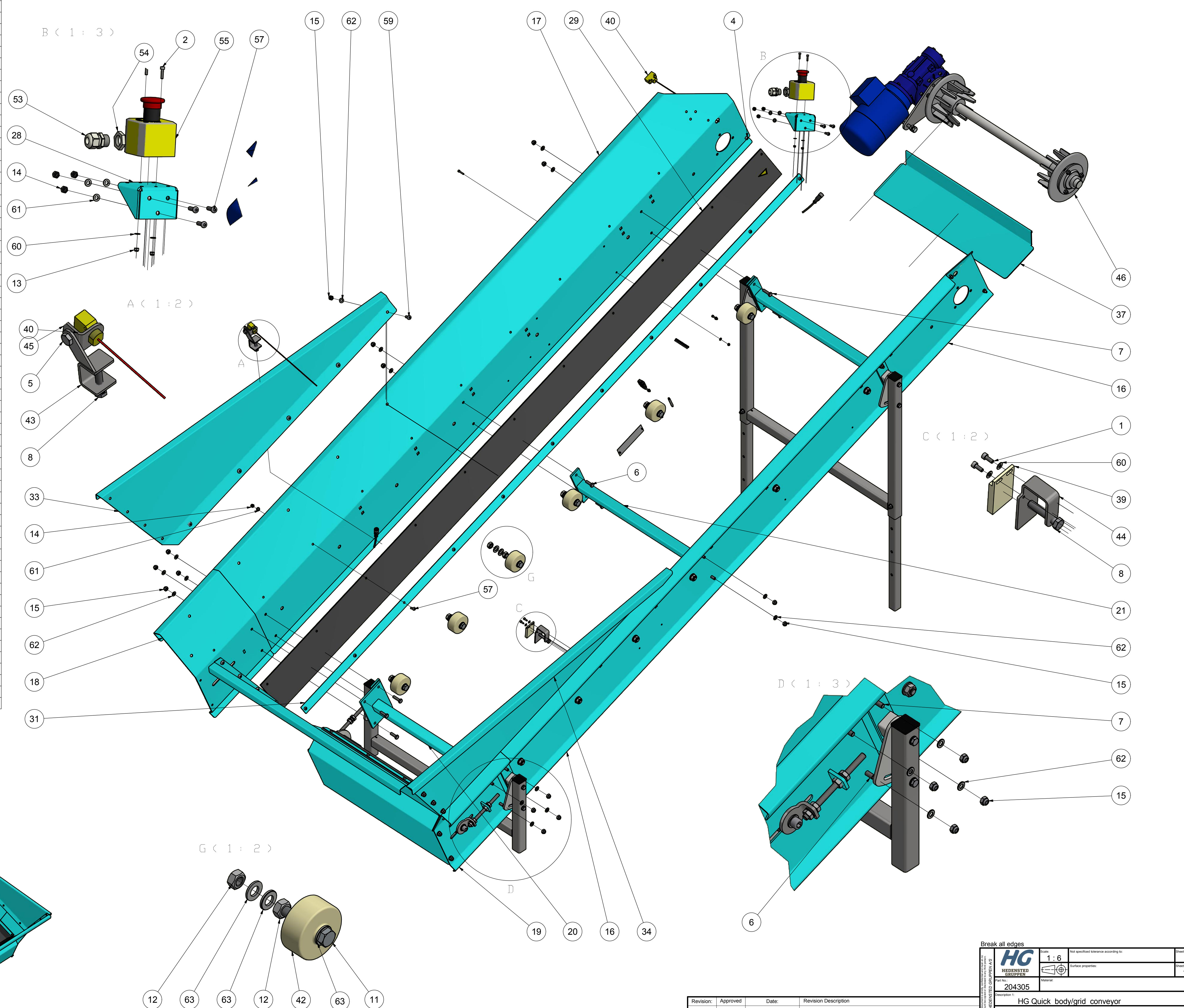
HG GRID CONVEYOR BELT

Model 2018-20xx

Table of contents

1. Spare parts
2. Electric diagrams

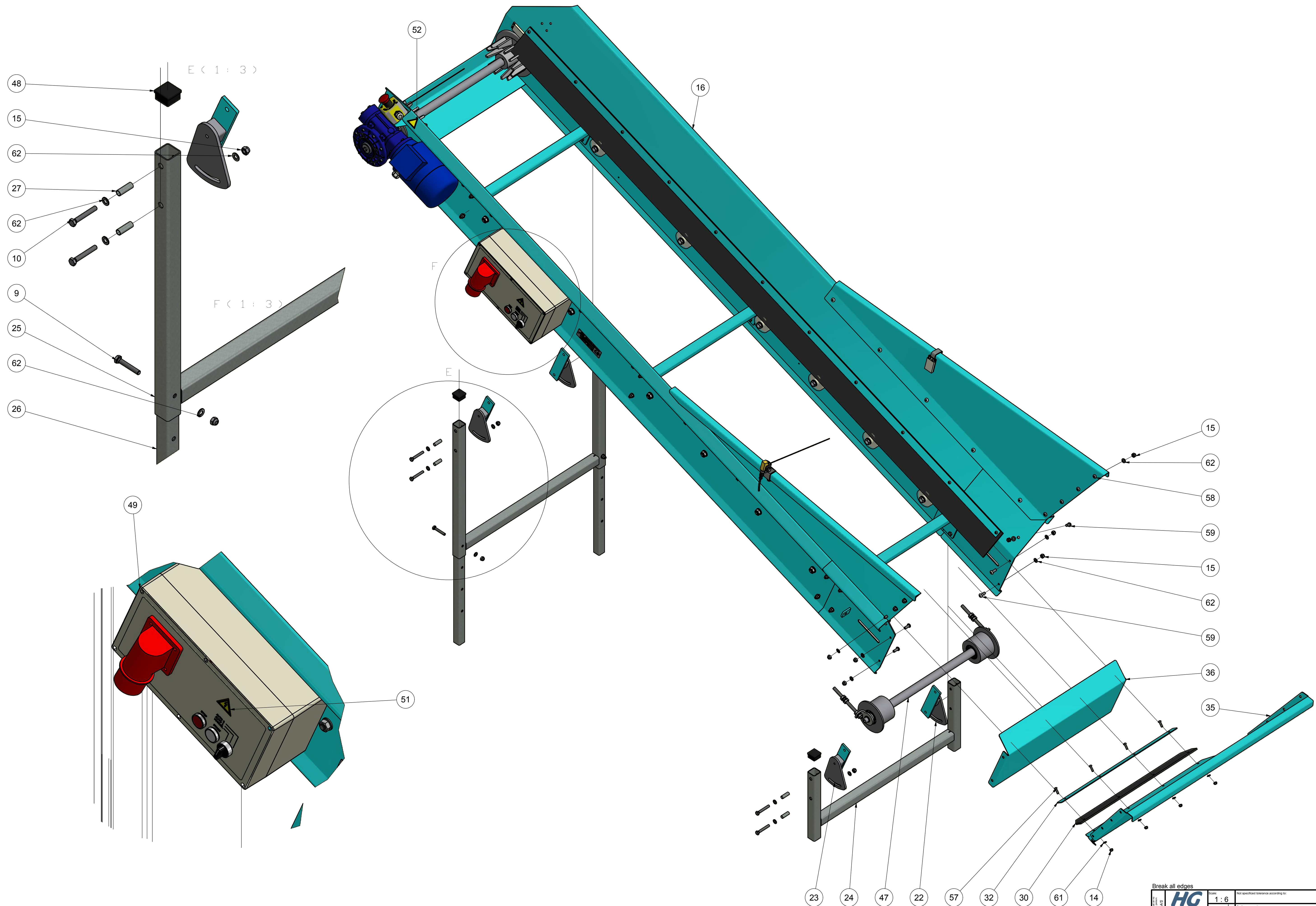
Parts List			
ITEM	QTY	PART NUMBER	DESCRIPTION
1	2	10204010	Hexagon cylinder head M4x10 FZB
2	2	10204016	Hexagon cylinder head M4x16 FZB
3	4	10204020	Hexagon cylinder head M4x20 FZB
4	2	10206016	Hexagon cylinder head M6x16 FZB
5	1	11408012	Hexagon bolt M8x12 FZB
6	8	11408025	Hexagon bolt M8x25 FZB
7	8	11408030	Hexagon bolt M8x30 FZB
8	2	11408040	Hexagon bolt M8x40 FZB
9	2	11408050	Hexagon bolt M8x50 FZB
10	8	11408055	Hexagon bolt M8x55 FZB
11	12	11412070	Hexagon bolt M12x70 FZB
12	25	1512000	Nut M12 FZB
13	6	17904000	Self-locking nut M4 FZB
14	31	17906000	Self-locking nut M6 FZB
15	46	17908000	Self-locking nut M8 FZB
16	1	204325	Right sideplate
17	1	204327	Left sideplate
18	1	204330	L sideplate Adjustable complet
19	1	204332	R sideplate adjustable complet
20	1	204335	Spacer
21	2	204337	Spacer
22	2	204340	Right bracket for leg
23	2	204342	Left bracket for leg
24	1	204345	Solid leg, low end
25	1	204347	Solid leg, high end
26	2	204348	Adjustable leg
27	8	204357	Tube for leg
28	1	204363	Bracket for emergency stop
29	2	204367	Rubber strip
30	1	204368	Rubber strip for hood
31	2	204370	Clamp plate
32	1	204371	Clamp plate for hood
33	1	204372	Left plate for hood
34	1	204375	Right plate for hood
35	1	204377	Endplate for hood
36	1	204378	Endplate
37	1	204380	Sawdust screen
38	2	204388	Cable w. plug M12 4P 5M
39	2	204390	Reflector Banner PN-44399
40	2	204391	Photo cell PH18CNR65PAM1SA
41	1	204392	Grid conveyer belt
42	12	204400	PVC support wheel
43	1	204402	Mounting for photocell
44	1	204403	Bracket for reflector
45	1	204405	Bracket for photocell
46	1	204408	Drive unit for grid conveyer
47	1	204409	Wheel unit for grid conveyer
48	4	204832	End cap 35x35mm Black
49	1	25057	Electric assembly Gridconveyor
50	1	30014	Id plate grid conveyor
51	1	31006	Warning sign high voltage
52	1	31008	Warning Sign rotating parts
53	1	600455	Cabel gland M20 Ø5-12
54	1	600475	Cable gland nut polyamid M20
55	1	600680	Emergency stop box. UK text
56	2	7003208	Blind rivet Ø3.2x8 (4-5,5)
57	29	76006020	Buttonhead bolt M6x20 FZB
58	8	76008016	Buttonhead bolt M8x16 FZB
59	16	76008020	Buttonhead bolt M8x20 FZB
60	8	82104000	Washer M4 FZB
61	31	82106000	Washer M6 FZB
62	54	82108000	Washer M8 FZB
63	36	82112000	Washer M12 FZB



Revision:	Approved	Date:	Revision Description
4	KL	07-03-2018	Bolts for support wheels changed to M12x70mm

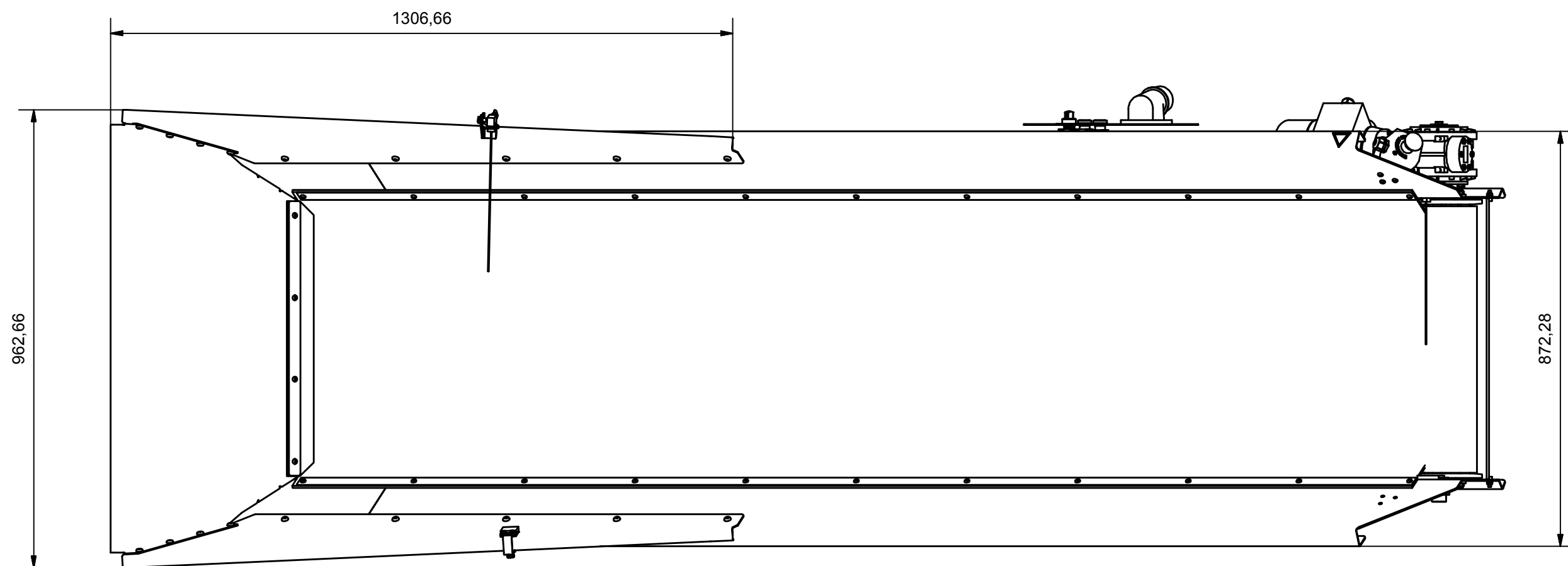
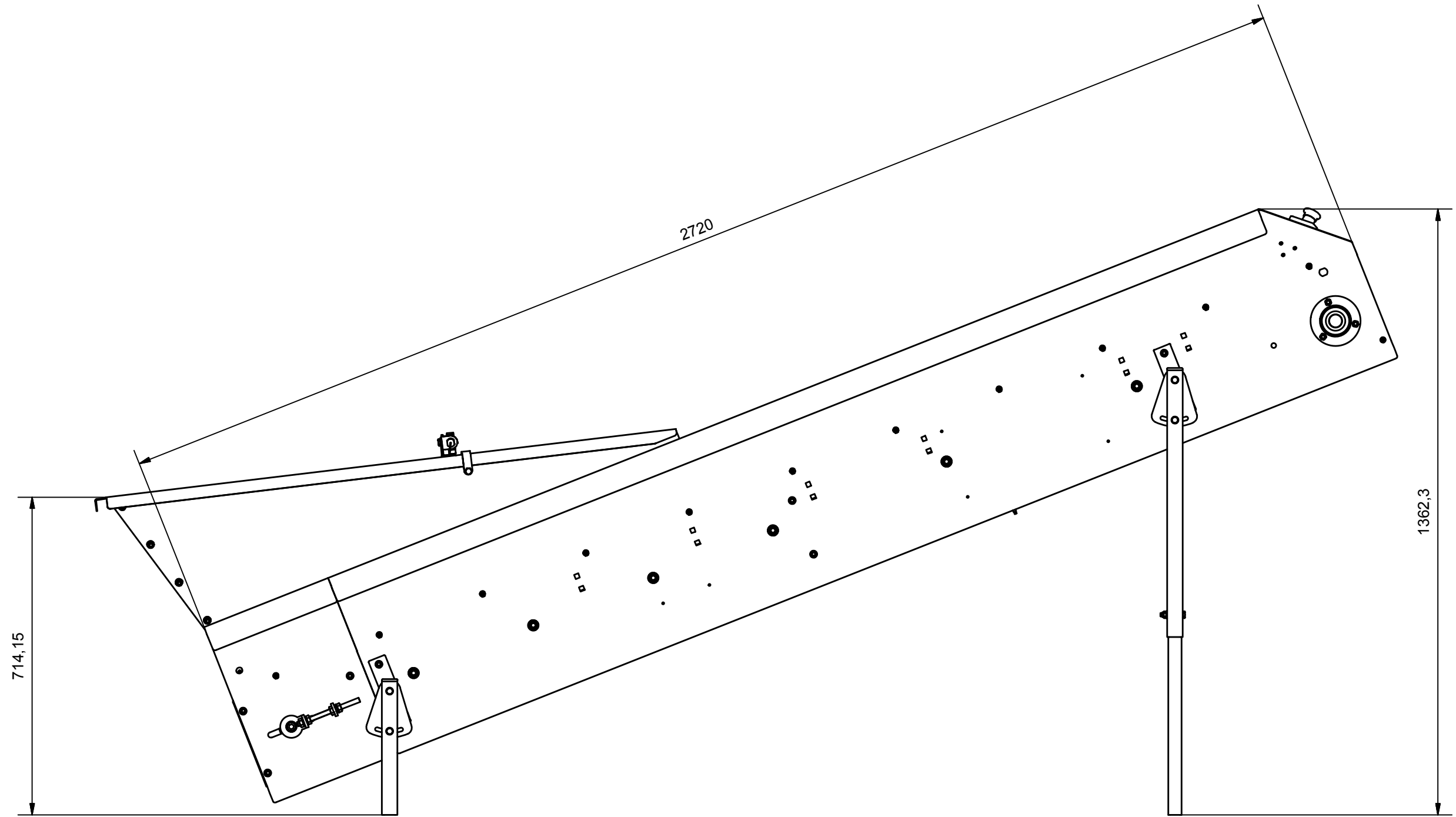
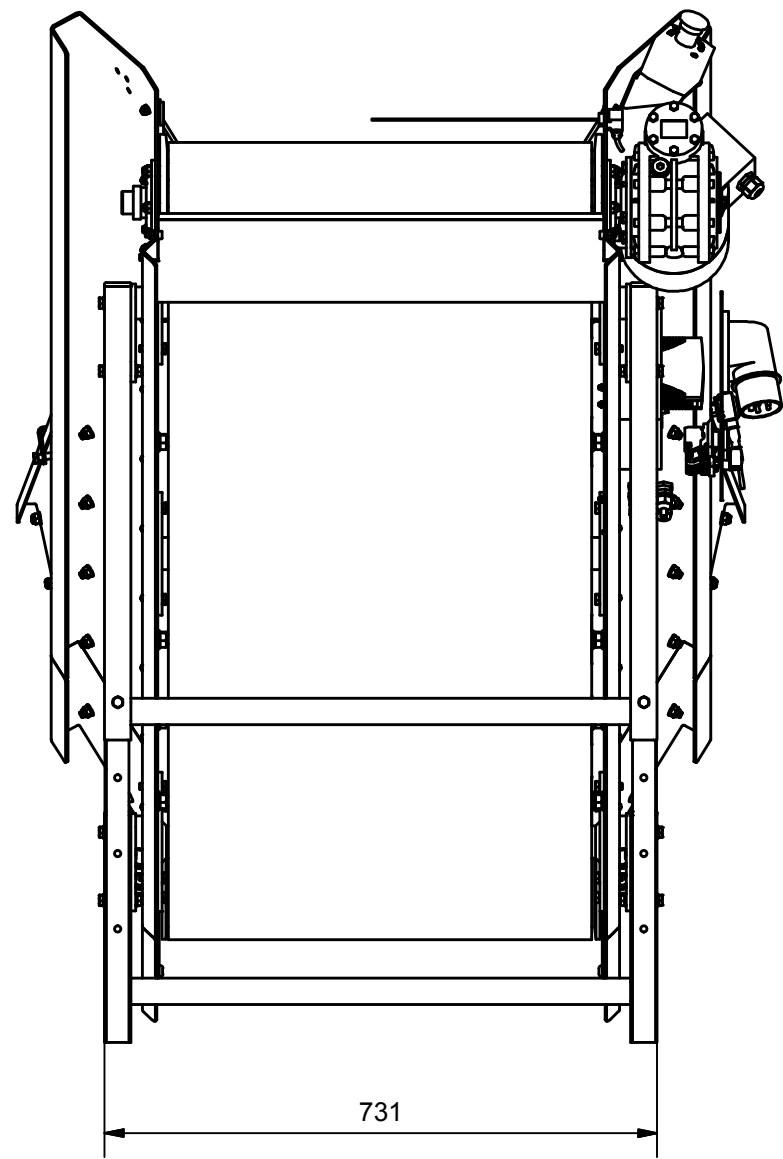
Scale:	1 : 6	Not specified tolerance according to:	Sheet size:
Surface properties:			A1
Material:			Sheet:
			1 / 3

Part No.:	204305
Description 1:	HG Quick body/grid conveyor
Description 2:	with sensor system


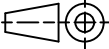


Break all edges		Scale: 1 : 6	Not specified tolerance according to:	Sheet size: A1
HEDENSTED GRUPPEN A/S		Surface properties:		Sheet: 2 / 3
Part No: 204305		Material:		
Description 1: HG Quick body/grid conveyor				
Description 2: with sensor system				

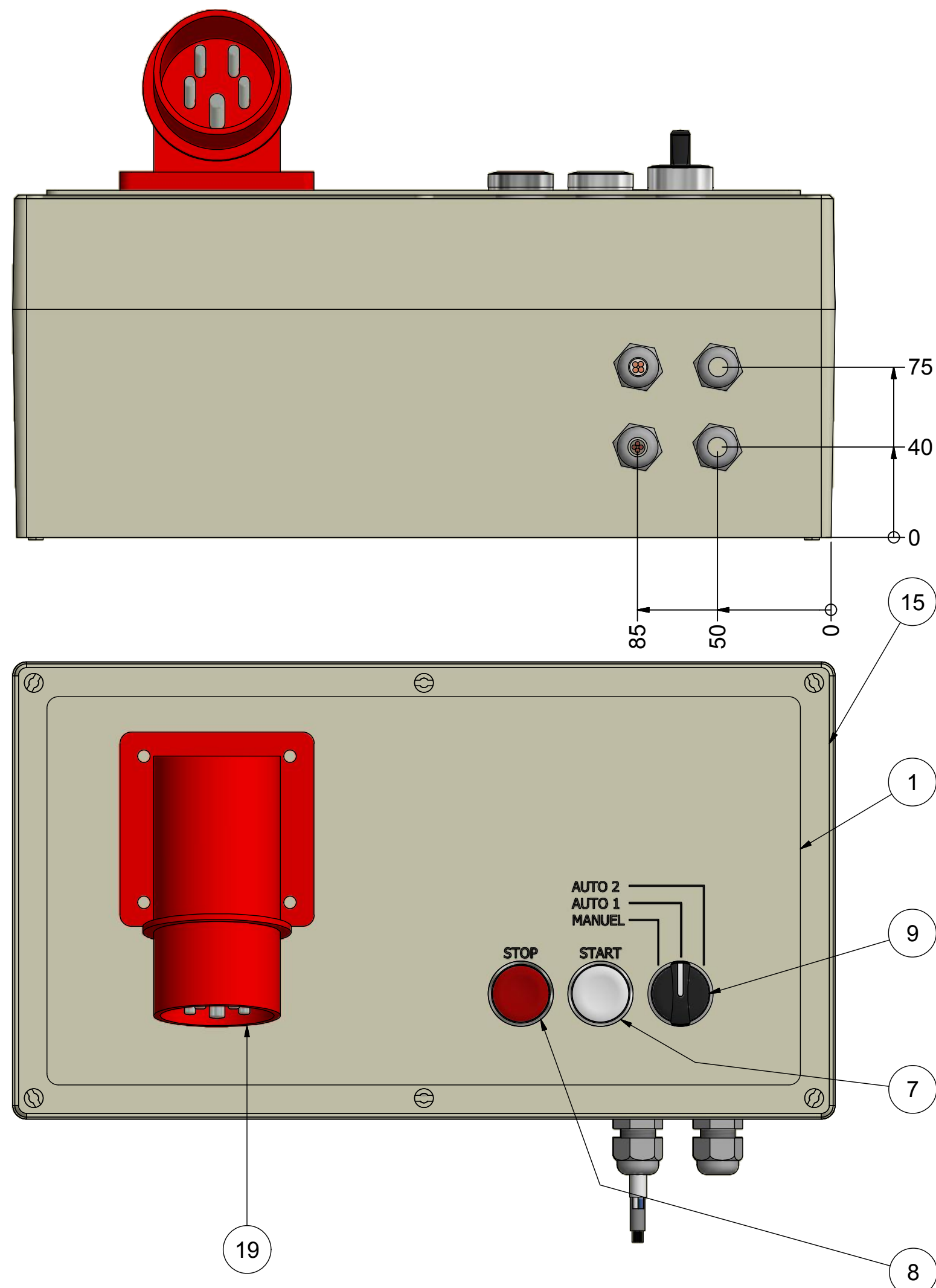
Revision	Approved	Date	Revision Description
4	KL	07-03-2018	Bolts for support wheels changed to M12x70mm



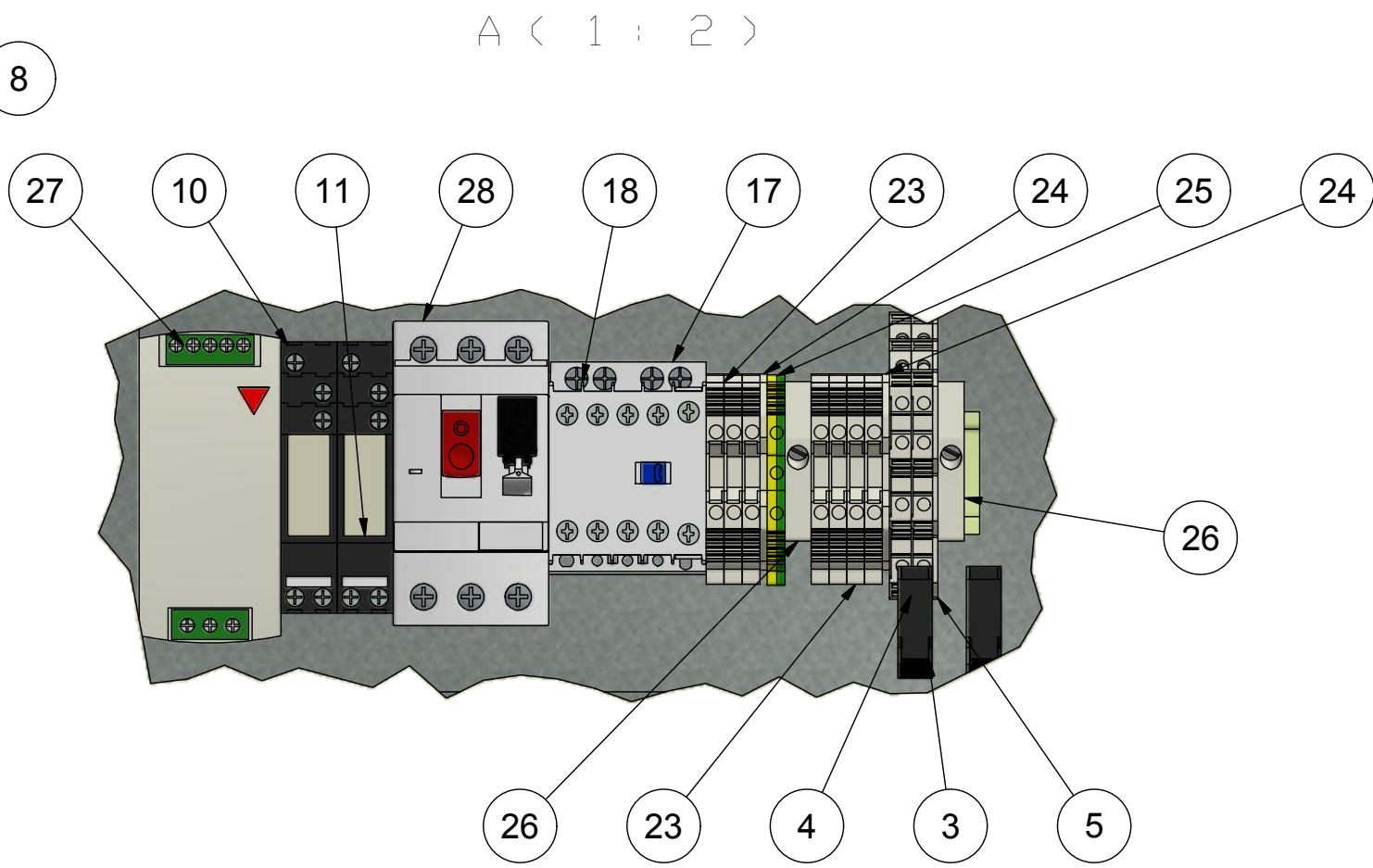
Break all edges

 HG HEENSTED GRUPPEN <small>HEENSTED GRUPPEN AIS</small>	Scale: 1 : 6	Not specified tolerance according to:	Sheet size: A2
		Surface properties:	Sheet: 3 / 3
Part No.: 204305		Material:	
Description 1: HG Quick body/grid conveyor			
Description 2: with sensor system			

Revision:	Approved	Date:	Revision Description
4	KL	07-03-2018	Bolts for support wheels changed to M12x70mm



Parts List			
ITEM	QTY	PART NUMBER	DESCRIPTION
1	1	204407	Label for grid conveyer
2	1	25062	Electric mounting, Gridconveyor
3	2	600070	Switch element 1NC ZBE102
4	2	600112	Terminal block DLD 2,5/35
5	1	600125	End plate AP-DLD nr 131766
6	1	600130	Cross connector Q10 no131310
7	1	600162	Push button white ZB4BA1
8	1	600164	Push botton red ZB4BA4
9	1	600165	Turn button 3.pos
10	2	600170	Socket for relay RSB1A120
11	2	600175	Relay 1CO 12A 24VDC RSB1A120BD
12	2	600176	Switch block 1NO ZB4BZ101
13	1	600178	Switch block 1NC ZB4BZ102
14	1,4 m	600260	Cable JZ 4x1,0mm² PVC
15	1	600272	Box PC203615 360x200x151
16	1	600273	Mountingplate for box PC203615
17	1	600280	Additional Switch GVAE11
18	1	600285	Contactur LP4K0910BW3 9A 3P+1NO
19	1	600295	CEE 16A plug male
20	4	600460	Cable gland M16 Ø2,5-8
21	4	600470	Cable gland nut polyamid M16
22	1,4 m	600528	Cable OZ 4x0,75mm² PVC
23	7	600550	Terminal block WDU_2,5
24	2	600555	End plate WAP 2,5-10
25	1	600585	Terminal block WPE 2,5
26	2	600590	End bracket EW 35
27	1	601275	Power supply 1P 24V 2,5A
28	1	875100	Motor protection 1,6-2,5A



Revision	Approved	Date	Revision Description
3	KL	11-01-2018	Motor protection changed to GV2ME07

Break all edges

HG
HEDENSTED
GRUPPEN

Scale: 1 : 2

Not specified tolerance according to:

Surface properties:

Material:

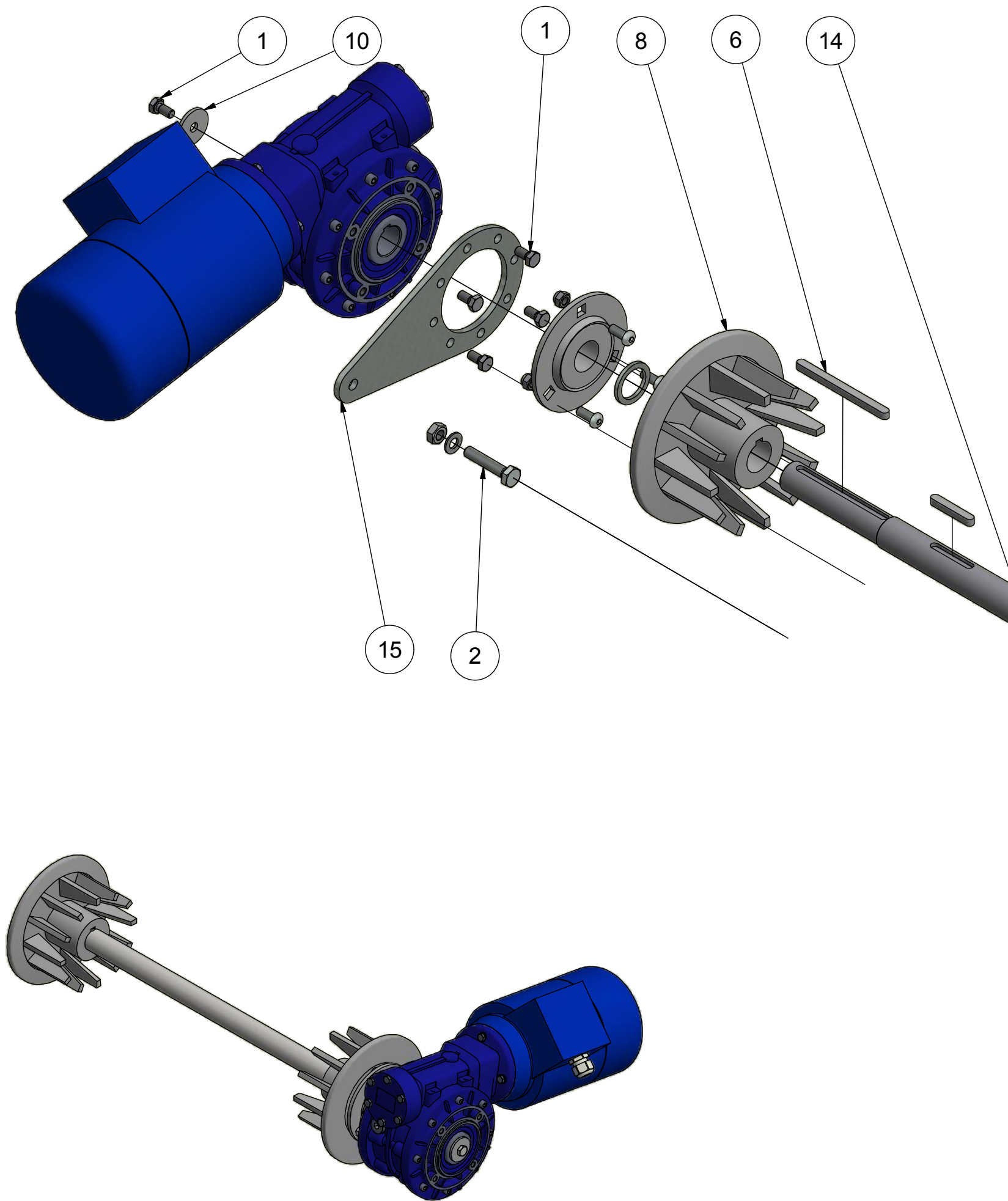
Part No.: 25057

Sheet size: A2

Sheet: 1 / 1


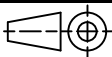
Description 1: Electric assembly Gridconveyor

Description 2:



Parts List			
ITEM	QTY	PART NUMBER	DESCRIPTION
1	5	11408016	Hexagon bolt M8x16 FZB
2	1	11410050	Hexagon bolt M10x50 FZB
3	1	1510000	Nut M10 FZB
4	6	17908000	Self-locking nut M8 FZB
5	2	204352	Spacer for drive wheel
6	1	204353	Key 8x7x110mm DIN-6885A
7	2	204354	Key 8x7x50mm DIN-6885A
8	2	204395	Pulley for belt N40-12-30
9	2	473170	Y-Bearing round plate Ø30
10	1	4809335	Washer SRKB Ø9x35x3 FZB
11	6	76008020	Buttonhead bolt M8x20 FZB
12	1	82110000	Washer M10 FZB
13	1	M103156	Gearmotor RMI63PP 1:80 0,55kW 230/400V
14	1	M103157	Drive shaft, model 2018
15	1	M103159	Torque arm for RMI 70 gear, short model

Break all edges

<small>The documents strictly confidential and must not be accounted by copied or disclosed to any third person.</small> HEDENSTED GRUPPEN A/S	 HEDENSTED GRUPPEN	Scale: 1 : 4	Not specified tolerance according to: DS/ISO 2768-m	Sheet size: A3
	Part No.: 204408	Material:		Surface properties:
Description 1: Drive unit for grid conveyer				
Description 2: Complete				

Revision:	Approved	Date:	Revision Description
2	KL	16-01-2018	Gearmotor changed to 0,55kW

Product data:

Gear: STM-RMI70PP

Ratio: 1:80

Flange: IEC71 B14

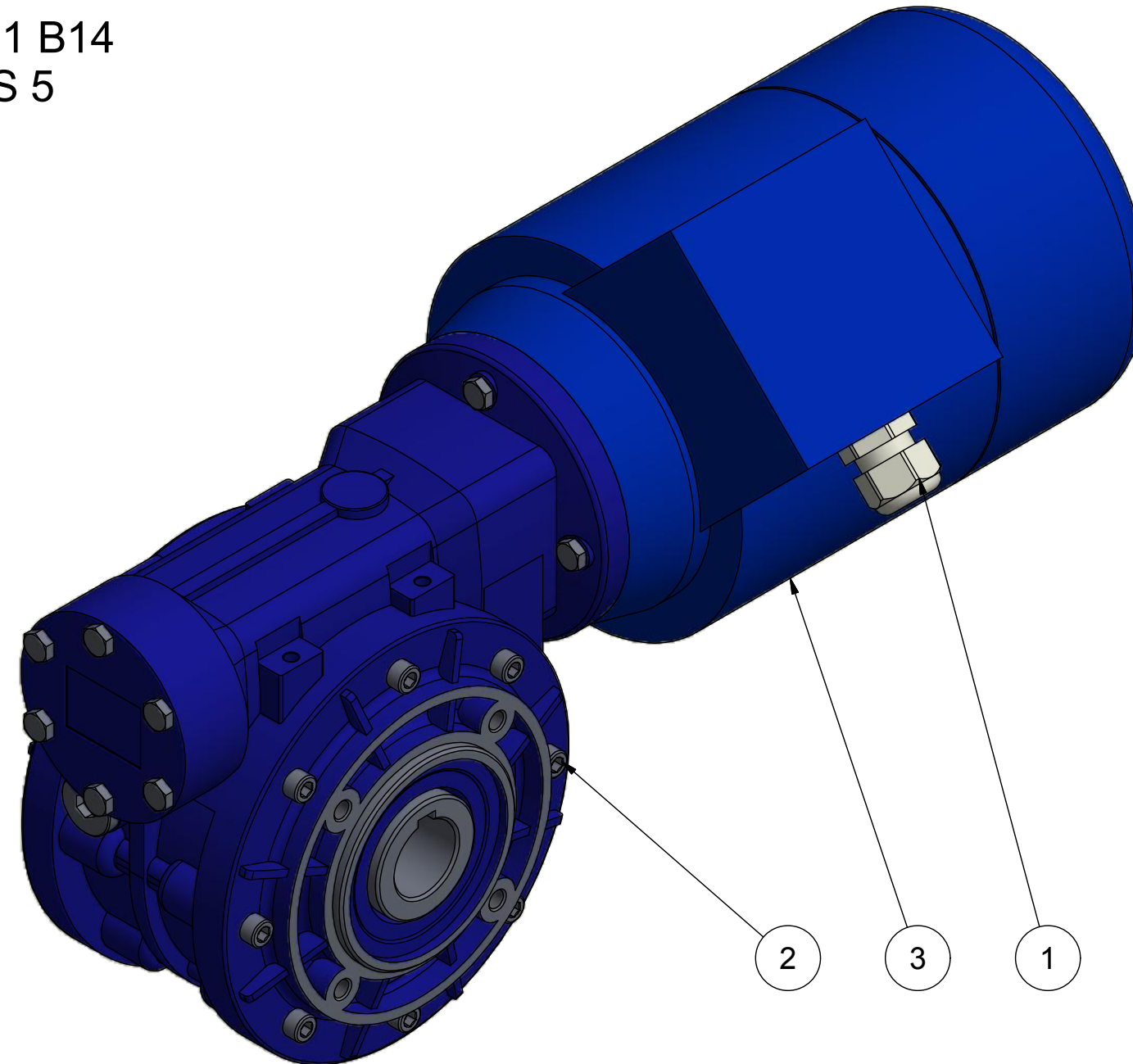
Hole: $\varnothing 28H7$

Mounting: M1 (oil level)

Motor: 0,55kW 1500rpm IEC71 B14

Terminal board position: POS 5

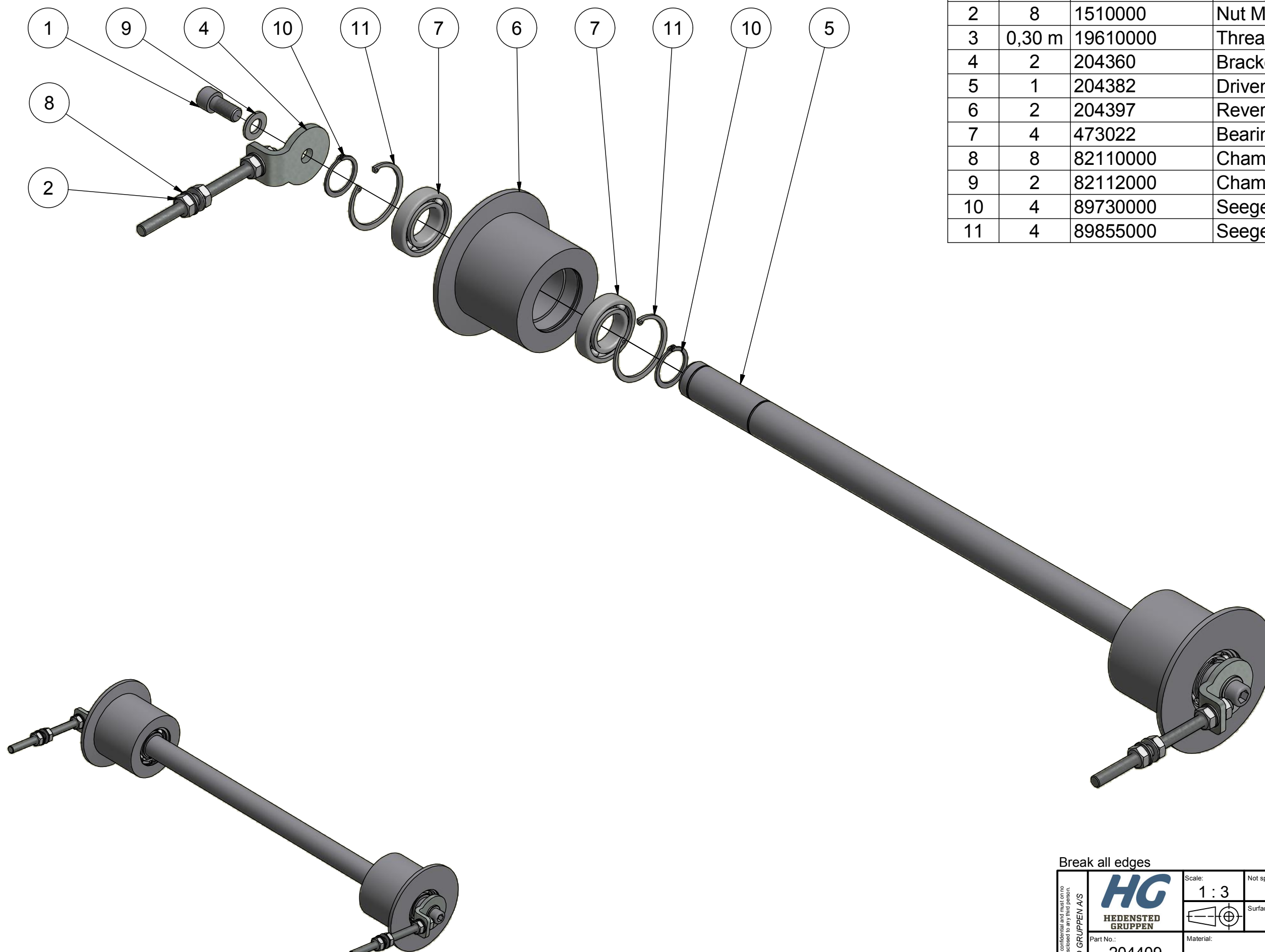
PARTS LIST			
ITEM	QTY	PART NUMBER	DESCRIPTION
1	1	600455	Cabel gland M20 $\varnothing 5-12$
2	1	M103154	Gear RMI70P71B14 1:80 PP
3	1	M103155	Motor 0,55kW 1500rpm



Break all edges

<small>This document is strictly confidential and must not be accounted for copied or disclosed to any third person.</small> HEDENSTED GRUPPEN A/S	 HEDENSTED GRUPPEN	Scale: 1 : 2	Not specified tolerance according to: DS/ISO 2768-m	Sheet size: A3	
			Surface properties: No	Sheet: 1 / 1	
	Part No.: M103156		Material:		
	Description 1: Gearmotor RMI63PP 1:80 0,55kW 230/400V				
Description 2: 1500rpm B14 M1 Pos.5					


Revision:	Approved	Date:	Revision Description
1	KL	16-01-2018	Made

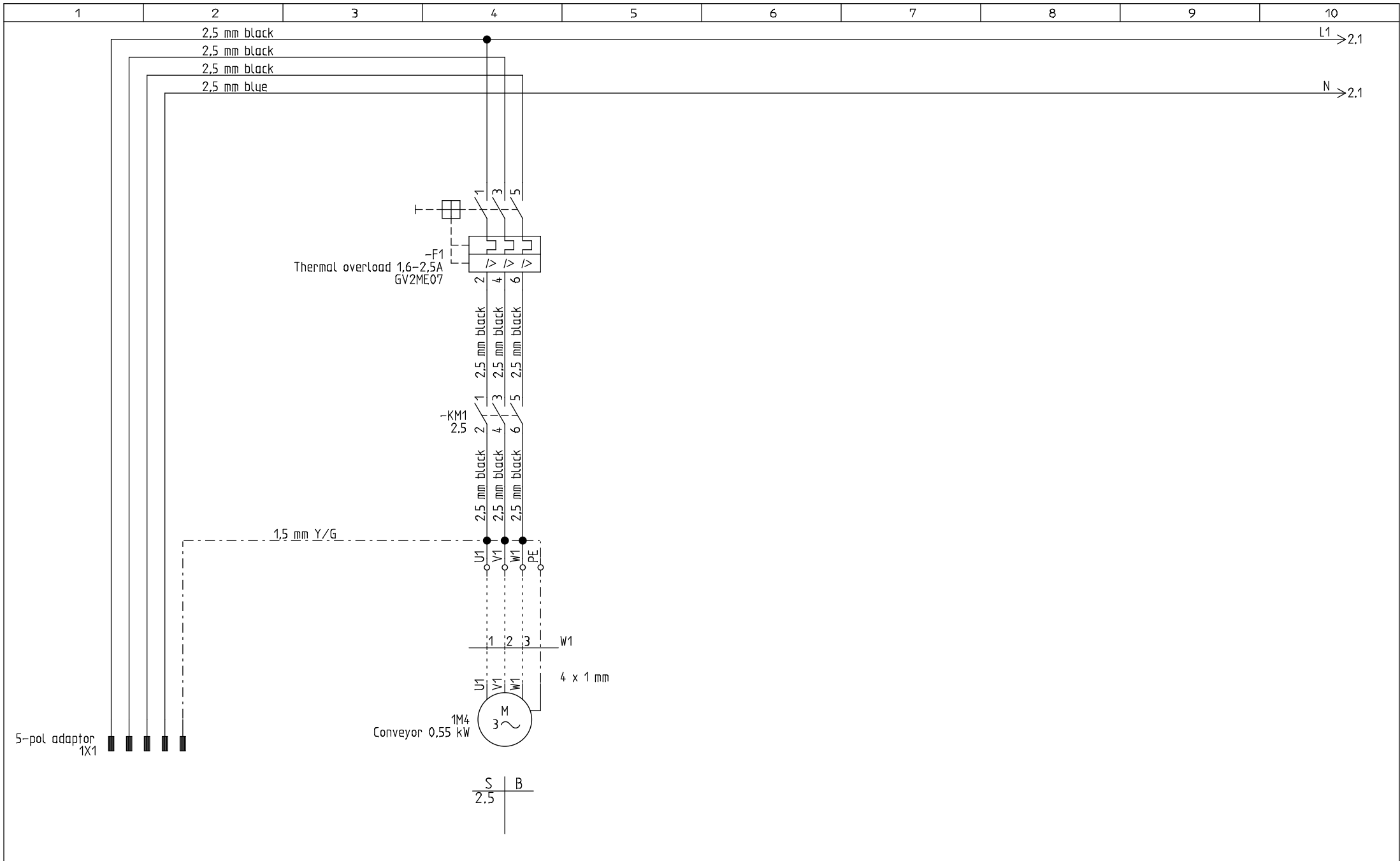


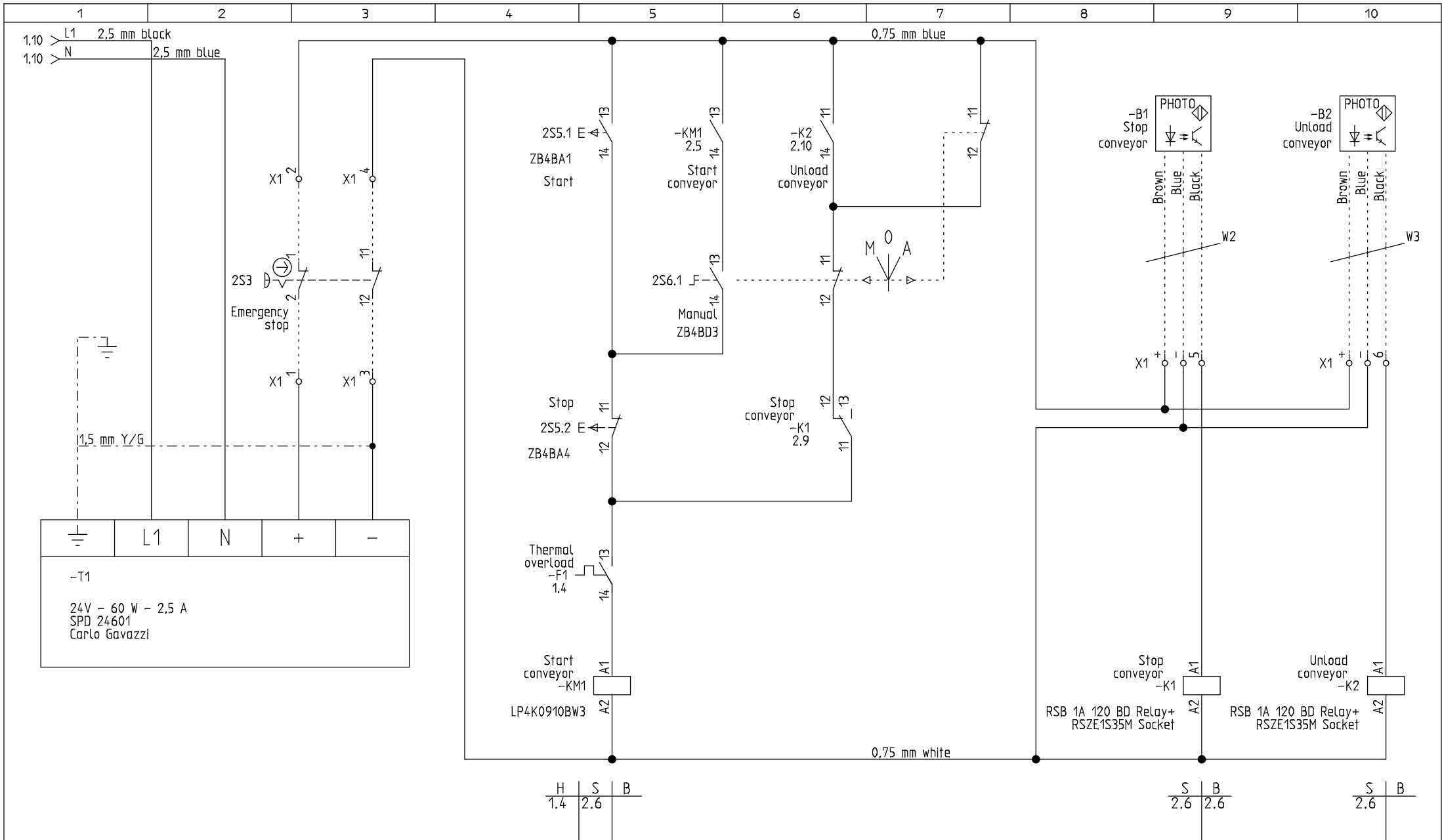
Parts List			
ITEM	QTY	PART NUMBER	DESCRIPTION
1	2	10212025	Hexagon cylinder head M12x25 FZB
2	8	1510000	Nut M10 FZB
3	0,30 m	19610000	Threaded pin \varnothing 10mm FZB
4	2	204360	Bracket for tightner
5	1	204382	Driven shaft
6	2	204397	Reverse wheel
7	4	473022	Bearing 6006 2RS
8	8	82110000	Chamfered Washer M10 FZB
9	2	82112000	Chamfered Washer M12 FZB
10	4	89730000	Seeger ring for shaft \varnothing 30 din 471
11	4	89855000	Seeger ring for bore \varnothing 55 din 472

Revision:	Approved	Date:	Revision Description
1	HG	28-09-2015	Revision changed to numeric

Break all edges

<small>The document is strictly confidential and must not be accounted for copied or disclosed to any third person.</small> HEDENSTED GRUPPEN A/S	 HEDENSTED GRUPPEN	Scale: 1 : 3	Not specified tolerance according to: DS/ISO 2768-m	Sheet size: A3
	Part No.: 204409	Material:	Surface properties:	Sheet: 1 / 1
Description 1: Wheel unit for grid conveyer		Description 2: Complete		





HEDENSTED GRUPPEN
 Vejlevej 15, DK-8722 HEDENSTED
 (+45) 75891244 - Fax: (+45) 75891180



24 VDC control

Projektnavn:
HG Grid conveyor 2011_03

Neste Side:
 Opr: 28-12-2005

Printdato:
 28-01-2011

Side nr.:
2

Tegnet: KE
 Rettet: 16-01-2018
 Side af: **2**

