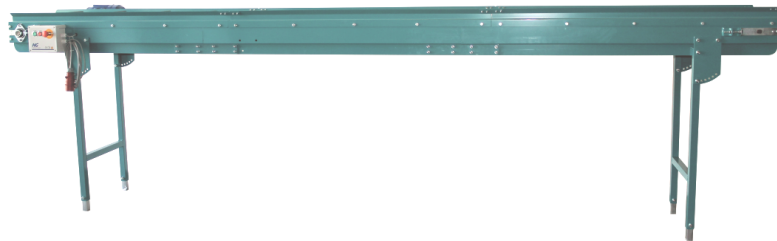


HG

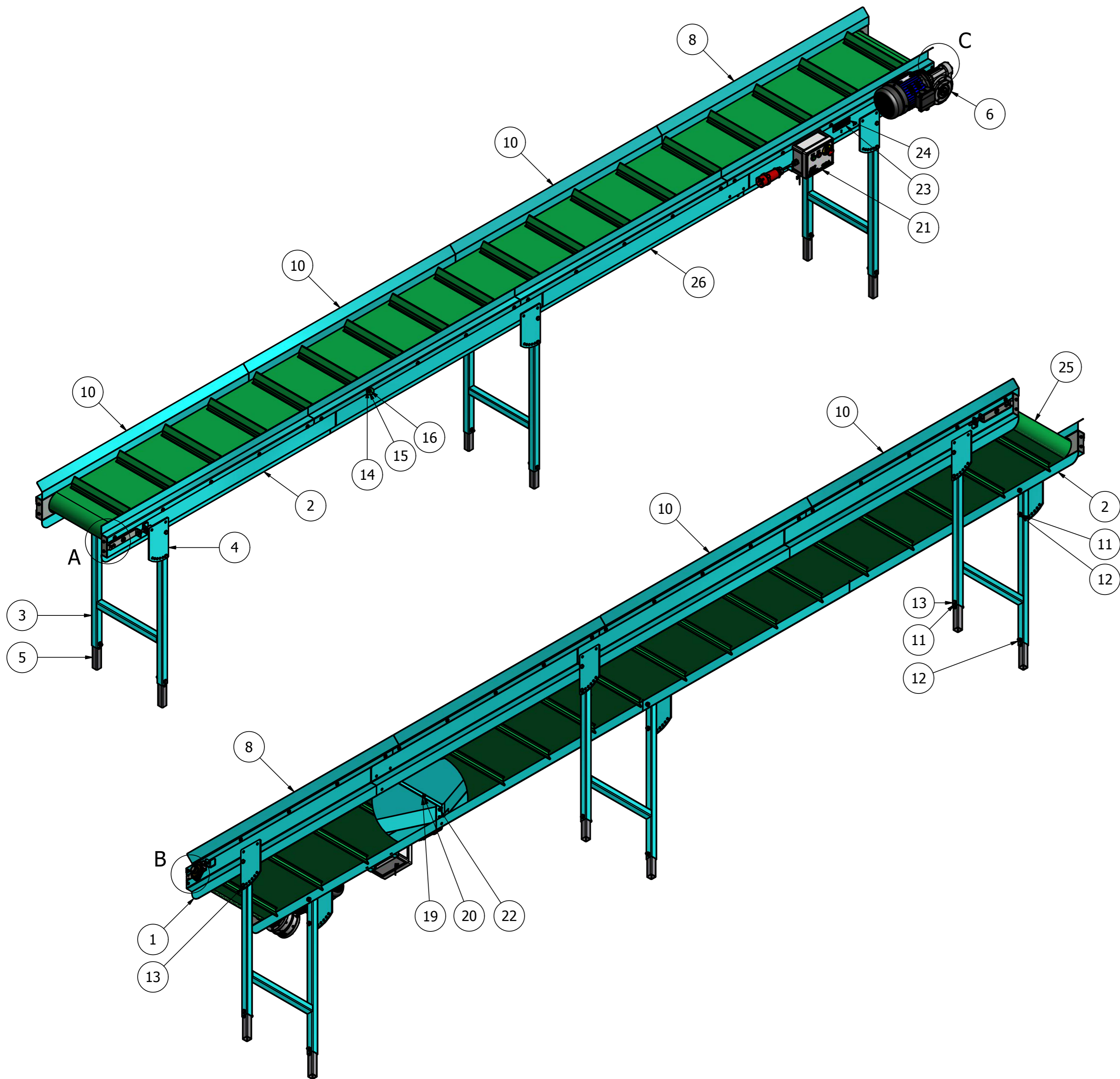
SPARE PARTS



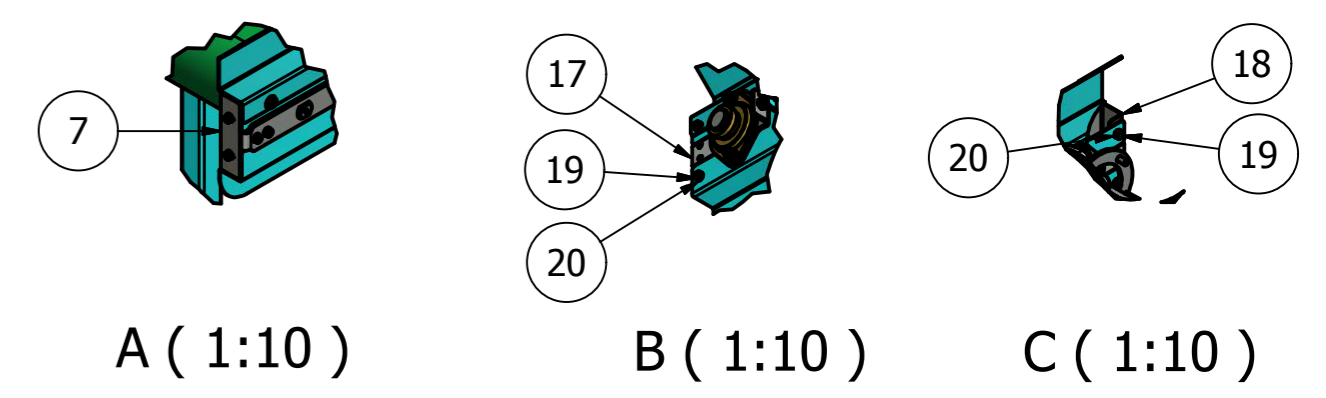
**HG Conveyor
500 x 6.000mm**

1. Table of contents.

1. Table of content.
2. Spare parts.
3. Electric diagrams.



PARTS LIST			
ITEM	QTY	PART NUMBER	DESCRIPTION
19	26	11406016	Hexagon bolt M6x16 FZB
16	38	11406020	Hexagon bolt M6x20 FZB
13	18	11410060	Hexagon bolt M10x60 FZB
22	22	17906000	Self-locking nut M6 FZB
12	18	17910000	Self-locking nut M10 FZB
24	2	7003206	Blind rivet 3,2x6mm
20	44	82106000	Washer M6 FZB
11	24	82110000	Washer M10 FZB
15	38	82606000	Washer Ø6,4x18x1,6
14	38	9306014	Blindnut rivet M6x14,5mm FZB
17	1	M100582	Cover front - Left side
18	1	M100583	Cover front - Right side
21	1	M100593	Controlebox for conveyor
1	1	M101181	Chassis welded - Motor
2	1	M101182	Chassis welded - Turn end
10	6	M101183	Sideplate extra
9	1	M101184	Sideplate Right
8	1	M101185	Sideplate left
3	3	M101186	Fixed leg for conveyor
4	6	M101187	Bracket for leg
5	6	M101188	Telescopic leg for conveyor
7	1	M101191	Venderulle
6	1	M101192	Motor assembly
26	2	M101195	Chassis welded - Center
25	1	M101196	Conveyor belt 5800x500
23	1	M101212	Id plate for conveyor



A (1:10)

B (1:10)

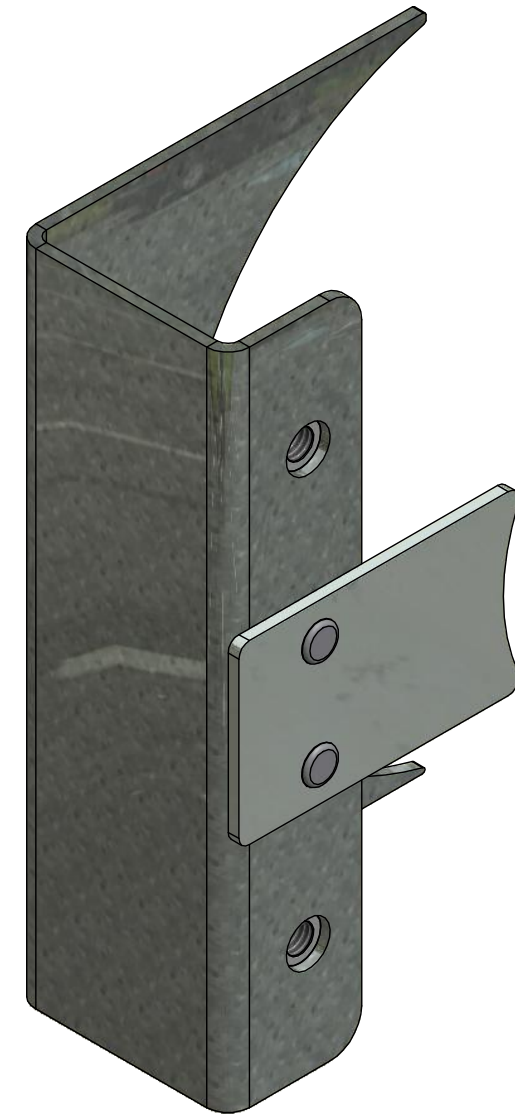
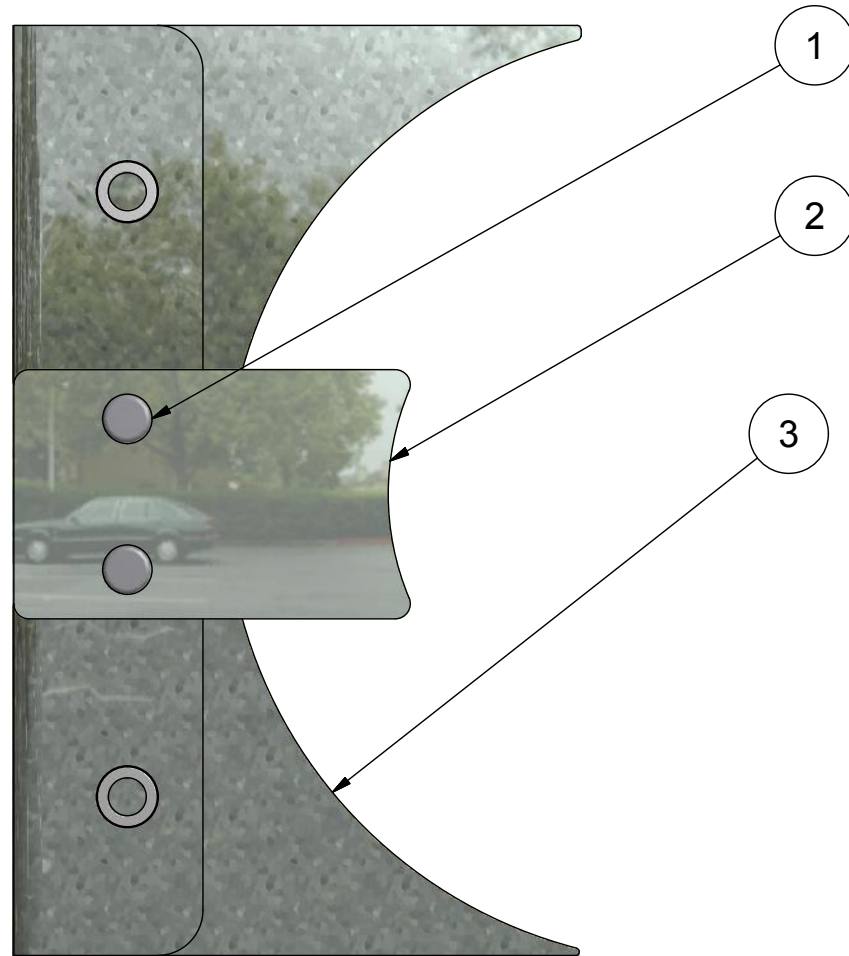
C (1:10)

Break all edges

	Scale:	1 : 15	Not specified tolerance according to:	DS/ISO 2768-m	Sheet size:	A2
			Surface properties:	No	Sheet:	1 / 1
	Part No.:	204314	Revision:	1	Material:	
Description 1:		Conveyor 500x6000 mm				
Description 2:						

REVISION HISTORY			
REV	DESCRIPTION	DATE	APPROVED
A	MADE	05-05-2015	MBO

PARTS LIST			
ITEM	QTY	PART NUMBER	DESCRIPTION
1	2	7003208	Pop rivet $\varnothing 3.2 \times 8 \text{mm}$
2	1	M10760	Cover front part 3
3	1	M10762	Front cover part 2 welded

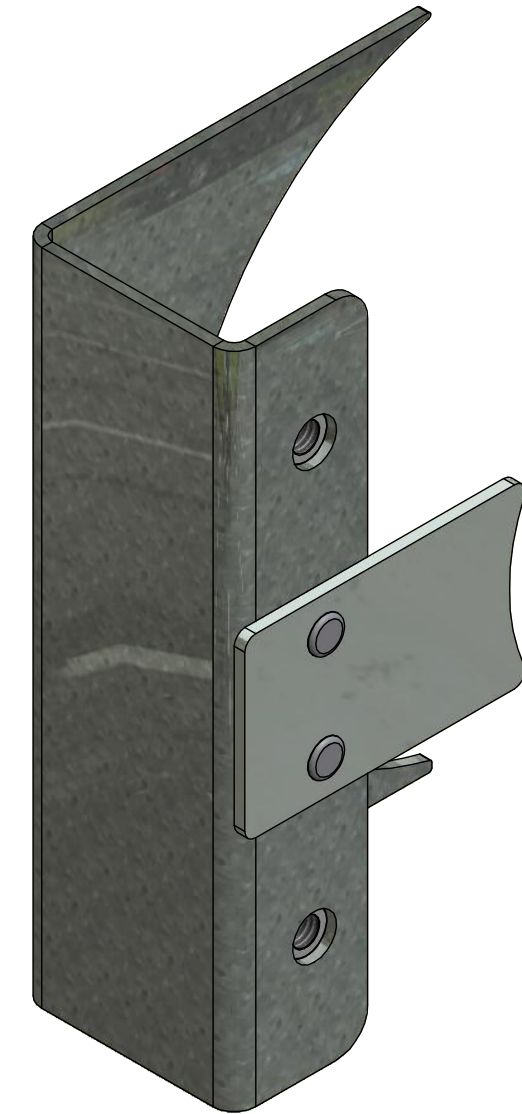
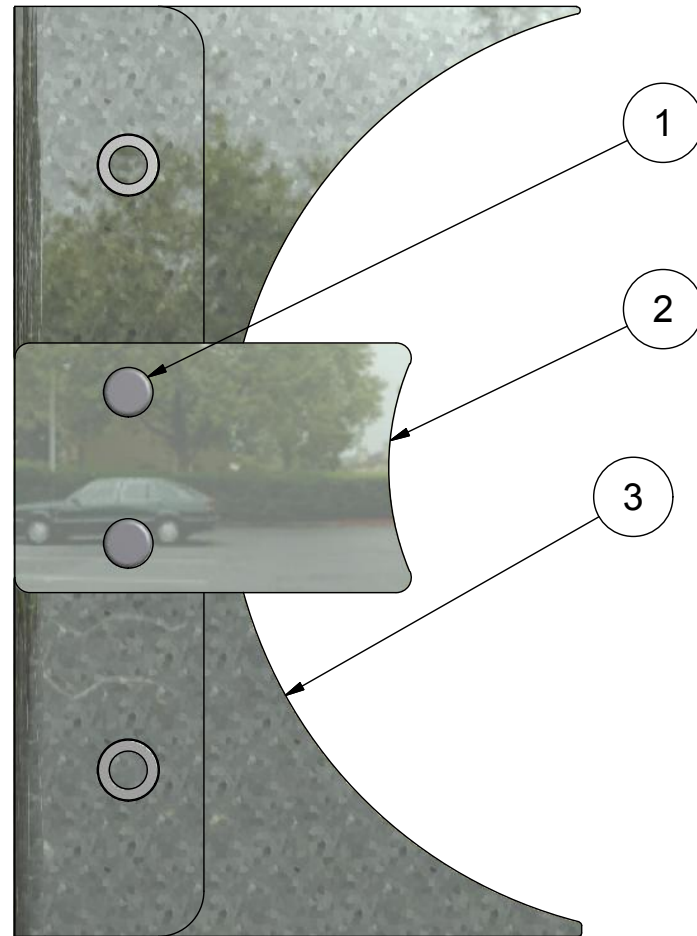


Alle kanter reifes
Breake all edges

<small>This document is strictly confidential and must not be accounted for copied or disclosed to any third person.</small> HEDENSTED GRUPPEN A/S		Scale:	Ikke angivet tolerancer iht./ Not specified tolerance according to:	Sheet size:	
		1 : 1	DS/ISO 2768-m	A3	
	Part No.: M100582		Overfl. beskaffenhed/Surface properties:	No	Sheet:
			Material:		1 / 1
Description:		Cover front - Left side			
Description:					

REV	DESCRIPTION	DATE	APPROVED
A	Made	13-06-2014	KL
REVISION HISTORY			

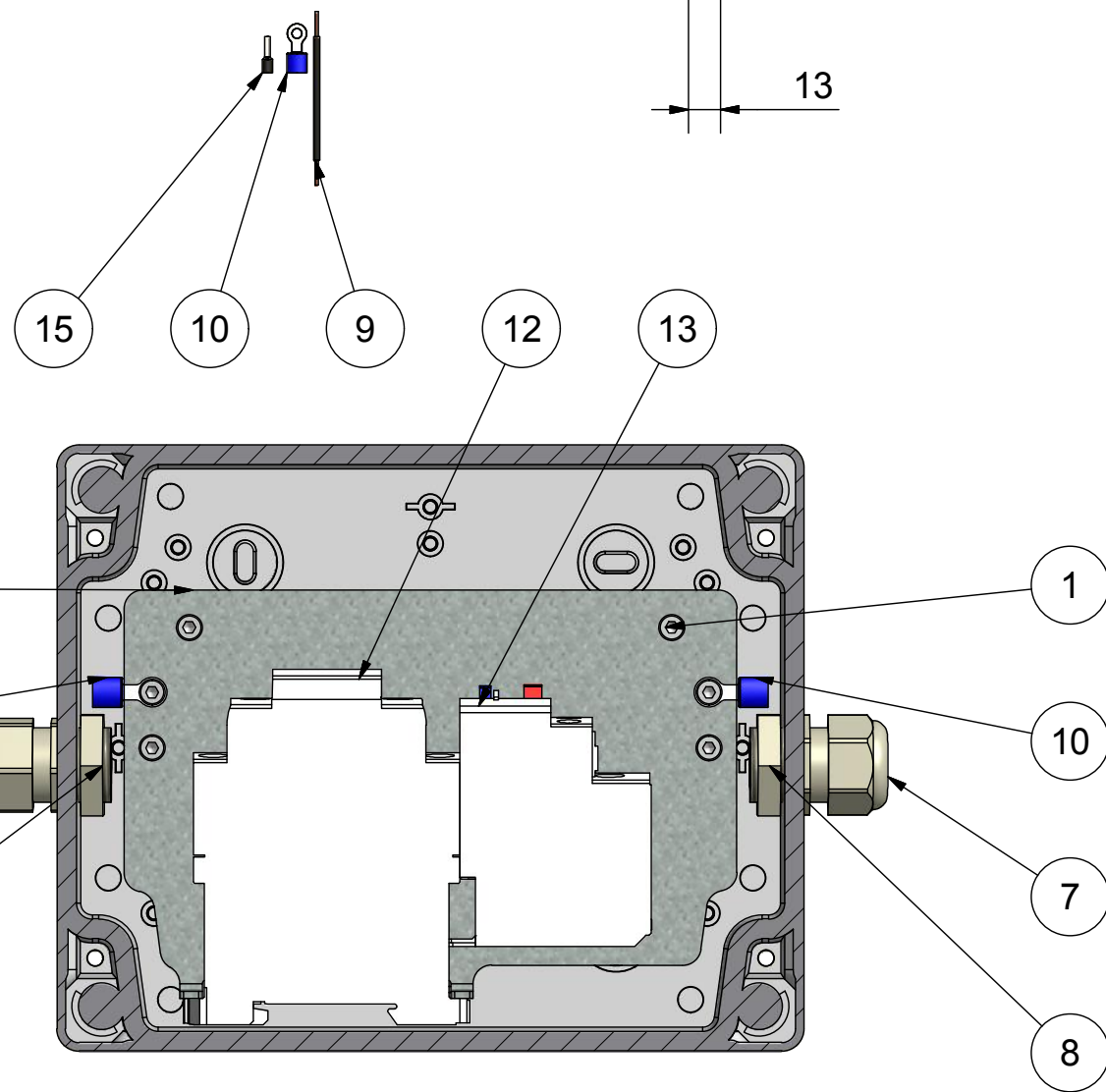
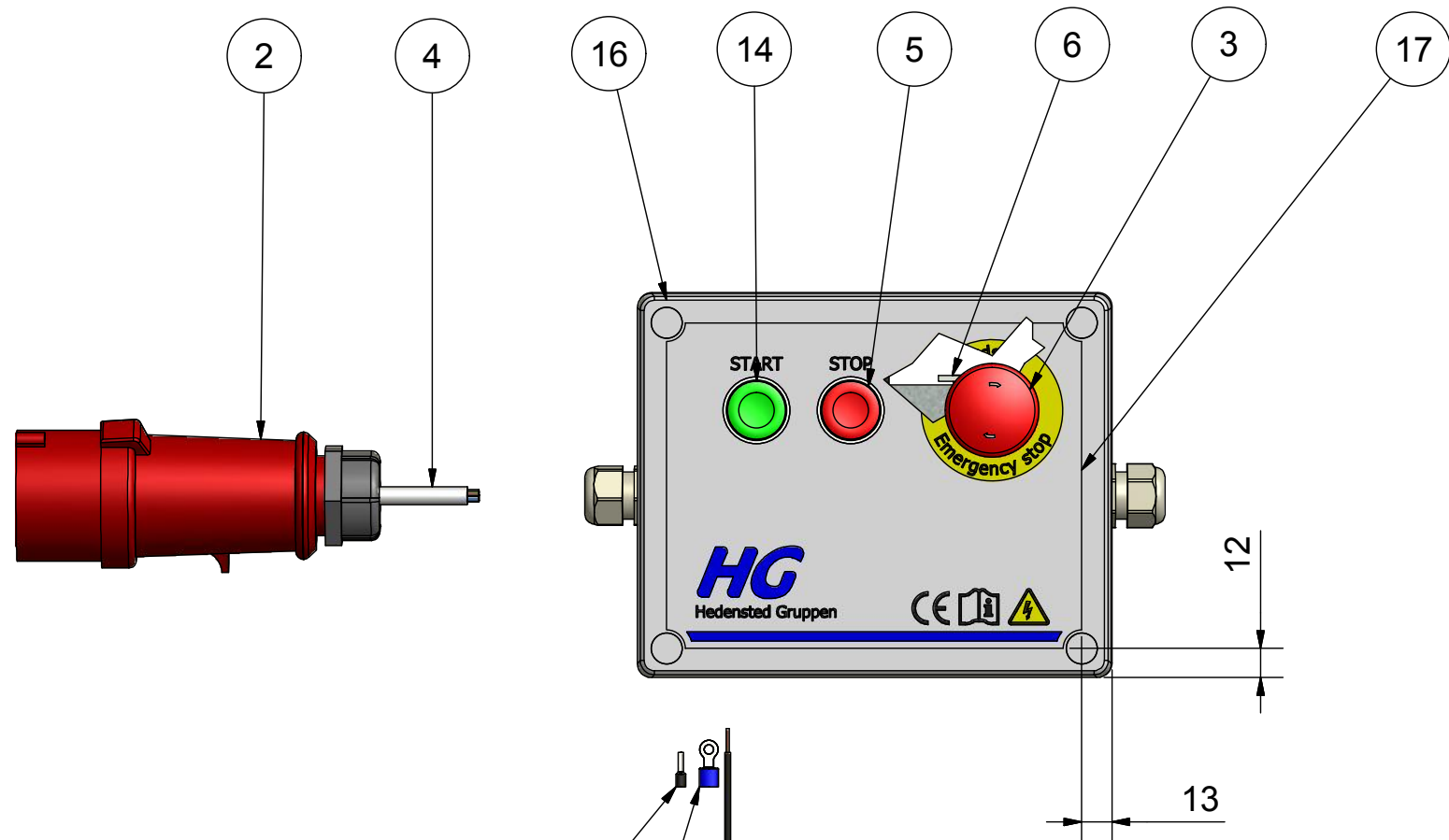
PARTS LIST			
ITEM	QTY	PART NUMBER	DESCRIPTION
1	2	7003208	Pop rivet ø3.2x8mm
2	1	M10760	Cover front part 3
3	1	M10761	Front cover part 1 welded



Alle kanter reifes
Breake all edges

<small>This document is strictly confidential and must not be accounted for copied or disclosed to any third person.</small> HEDENSTED GRUPPEN A/S		Scale:	Ikke angivet tolerancer iht./ Not specified tolerance according to:	Sheet size:	
		1 : 1	DS/ISO 2768-m	A3	
	Part No.:	Material:		Overfl. beskaffenhed/Surface properties:	Sheet:
				No	1 / 1
Description:		Cover front - Right side			
Description:					

REV	DESCRIPTION	DATE	APPROVED
A	Made	13-06-2014	KL
REVISION HISTORY			



PARTS LIST

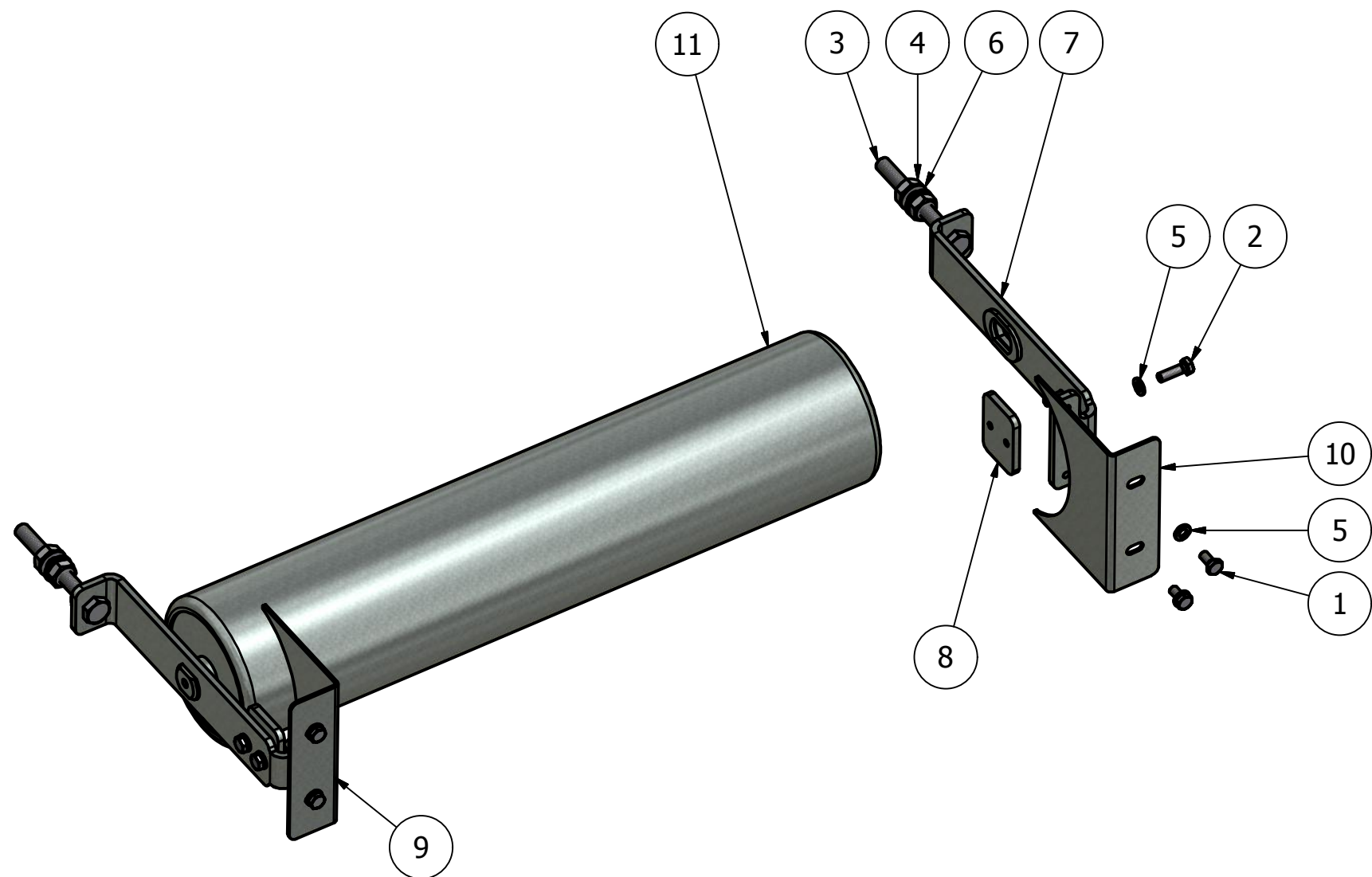
ITEM	QTY	PART NUMBER	DESCRIPTION
1	6	10204010	Bolt.unbraco cyl 4x10 FZB
2	1	50171	Plug CE 16A 5p, Phase inverter
3	1	600100	Emergencystop button ZB4BS844
4	5,0 m	600262	Cable JZ 4G1,5 TR500
5	1	600345	Push-button XB4BA42 Red 1NC
6	1	600375	Contact block ZB4BZ104 2NC
7	2	600455	Cabel gland M20 Ø5-12
8	2	600475	Nut M20 polyamid
9	4,0 m	600500	Cord H07Z-K 1x1,5 Black PVT
10	6	600625	Cable shoe IS.0,75-1,5 Ø4
11	33	600685	Panduit Label for Laser
12	1	600738	Switch LC1D09V7 9A 400VAC
13	1	600745	Thermal relay LRD08_2,5-4
14	1	600788	Push-button XB4BA21 Plan Green
15	25	601075	Pin/iso H1,50 on strip Black
16	1	M100937	Box ABS plastic 201x163x98mm
17	1	M100938	Label for conveyor
18	1	M100940	Mountingplate for box

Alle kanter reifes
Breake all edges

<small>This document is strictly confidential and must not be accounted for copied or disclosed to any third person.</small> HEDENSTED GRUPPEN A/S		Scale: 1 : 3	Ikke angivet tolerancer iht./ Not specified tolerance according to: DS/ISO 2768-m	Sheet size: A3
	Part No.: M100593	Material: Default		Overfl. beskaffenhed/Surface properties:
Description: Controlebox for conveyor		Description: 		

A	Made	04-02-2015	KL
REV	DESCRIPTION	DATE	APPROVED
REVISION HISTORY			

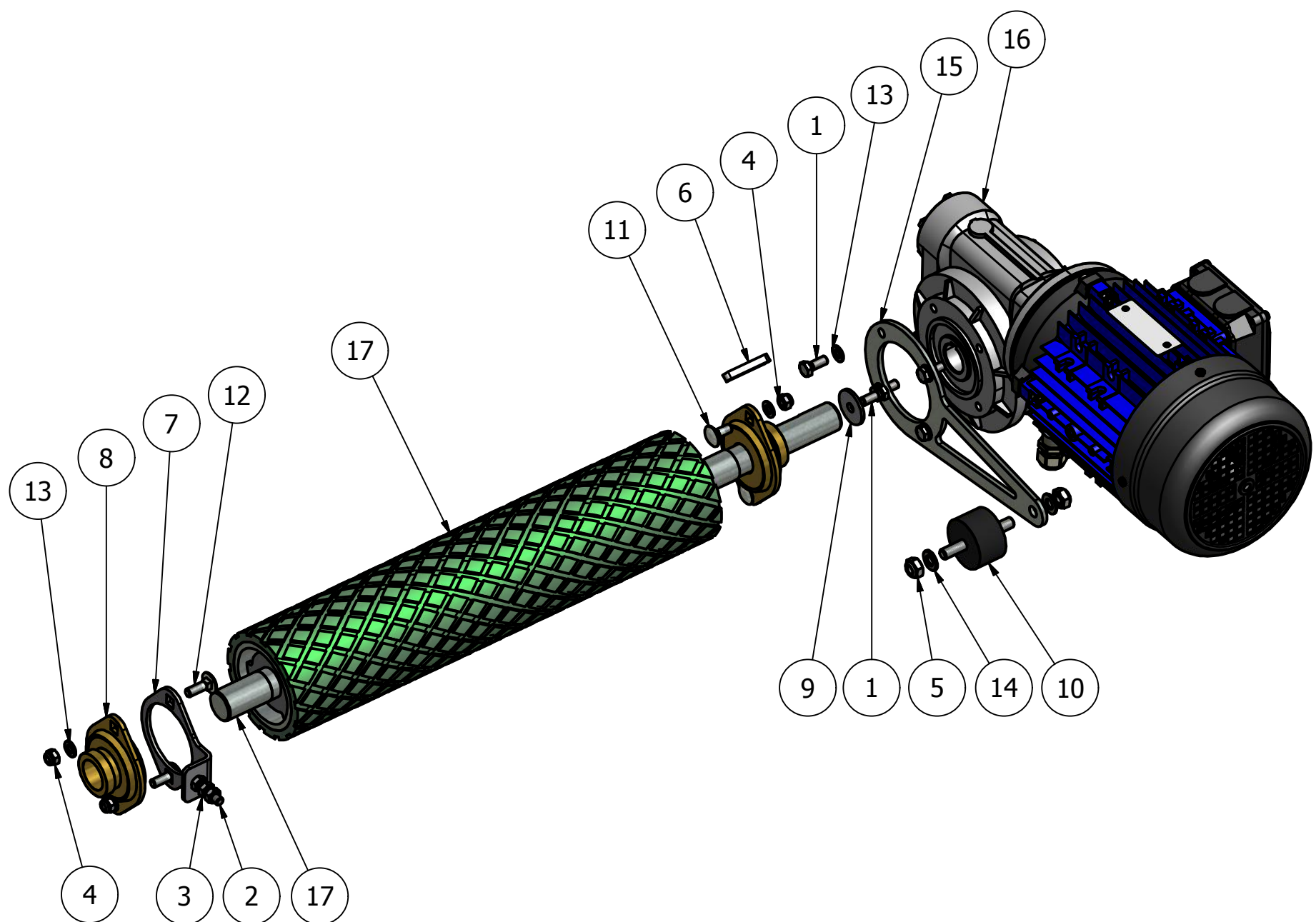
PARTS LIST			
ITEM	QTY	PART NUMBER	DESCRIPTION
1	4	11406012	Hexagon bolt M6x12 FZB
2	4	11406020	Hexagon bolt M6x20 FZB
3	2	11410090	Hexagon bolt M10x90 FZB
4	6	1510000	Nut M10 FZB
5	8	82106000	Washer M6 FZB
6	6	82110000	Washer M10 FZB
7	2	M100576	Tension bracket complete
8	2	M100578	Rear clamping plate
9	1	M100580	Cover rear - Left side
10	1	M100581	Cover rear - Right side
11	1	M101189	Turn roll Ø108x500



Breake all edges

<small>This document is strictly confidential and must not be accounted for copied or disclosed to any third person.</small> HEDENSTED GRUPPEN A/S	HG	Scale:	Not specified tolerance according to:	Sheet size:
	<small>HEDENSTED GRUPPEN</small>	1:4	DS/ISO 2768-m	A3
			Surface properties:	Sheet:
		No		1 / 1
	Part No.:	Revision:	Material:	
	M101191			
Description 1:				
Turn roll assembly				
Description 2:				

REVISION HISTORY			
REV	DESCRIPTION	DATE	APPROVED
A	MADE	05-05-15	MBO



PARTS LIST			
ITEM	QTY	PART NUMBER	DESCRIPTION
1	5	11408020	Hexagon bolt M8x20 FZB
2	1	11408040	Hexagon bolt M8x40 FZB
3	3	1508000	Nut M8 FZB
4	4	17908000	Self-locking nut M8 FZB
5	2	17910000	Self-locking nut M10 FZB
6	1	204354	Key 8x7x50mm DIN-6885A
7	1	204797	Adjusting plate for bearing
8	2	473175	Y-Bearinge PFT-30FM
9	1	4809335	Washer type SRKB ø9x35x3
10	1	489342	Vibration absorber A50x30 M10
11	2	64408020	Cup head square neck bolt M8x20 FZB
12	2	64408025	Cup head square neck bolt M8x25 FZB
13	8	82108000	Washer M8 FZB
14	2	82110000	Washer M10 FZB
15	1	M100569	Torque bracket for RMI70
16	1	M100572	Gearmotor 1,1kW 1400omdr
17	1	M101190	Drive shaft ø108x490mm

Breake all edges

<small>This document is strictly confidential and must not be accounted for copied or disclosed to any third person.</small> HEDENSTED GRUPPEN A/S	HG HEDENSTED GRUPPEN	Scale: 1 : 5	Not specified tolerance according to: DS/ISO 2768-m	Sheet size: A3	
			Surface properties: No	Sheet: 1 / 1	
	Part No.: M101192	Revision:	Material:		
	Description 1: Motor assembly				
Description 2:					

REVISION HISTORY			
REV	DESCRIPTION	DATE	APPROVED
A	MADE	05-05-2015	MBO

Customer: Hedensted Gruppen A/S

Project: HG Conveyor 2015-01 600x2800mm

Hedensted Gruppen A/S
Vejlevej 15a
DK-8722 Hedensted
TLF: 75 89 12 44
FAX: 75 89 11 80



Ormhøjgårdvej 15
DK-8700 Horsens Tlf. 75641899

Project title: HG Conveyor 2015-01 600x2800mm		Filename: 150206
Customer: Hedensted Gruppen A/S		Case no.: 150206
Last printed: 25-03-2015	07:42:14	
Last checked: 06-02-2015 10:59:58		Page: A of 10

Index

Information	C
03-02-2015 12:39:54	
Declaration of incorporation	D
03-02-2015 12:39:58	
Main Circuit	1
03-02-2015 13:47:42	
	2
03-02-2015 12:40:58	
Cable list	10
03-02-2015 13:43:50	
Part list	11
03-02-2015 13:43:58	

VS AUTOMATIC

Ormhøjgårdvej 15
DK-8700 Horsens Tlf. 75641899

Project title: HG Conveyor 2015-01 600x2800mm

Customer: Hedensted Gruppen A/S

Filename: 150206

Last printed: 25-03-2015

07:42:14

Case no.: 150206

Last checked: 03-02-2015 13:47:48

Page: B

of 10

Information

WIRE IDENTIFICATION:

The wire is identified with the terminal number of the component.

WIRE COLOUR:

MAIN CIRCUIT: Phase Black
 Neutral Light blue

DC CONTROL CIRCUIT: 24VDC Dark blue
 0VDC White

THE FOLLOWING COLOUR ID IS TAKEN FROM DS/EN 60757

BK BLACK
BN BROWN
RD RD
OG ORANGE
YE YELLOW
GN GREEN
BU BLUE
VT VIOLET
GY GREY
WH WHITE
PK PINK

ALL SYMBOLS USED IS TAKEN FROM DS/EN 166

VS AUTOMATIC

Ormhøjgårdvej 15
DK-8700 Horsens Tlf. 75641899

Project: HG Conveyor 2015-01 600x2800mm

Customer: Hedensted Gruppen A/S

Last printed: 25-03-2015 07:42:14

Last checked: 03-02-2015 12:39:54

Case no.: 150206

Filename: 150206

Page: C of 6

DECLARATION OF INCORPORATION

Directive 2006/42/EF, Annex II, B

Manufacturer

Firm: VS AUTOMATIC A/S
Address: Ormhøjgårdvej 15
DK-8700 Horsens
Phone: +45 75 64 18 99
Fax: +45 75 64 18 09
Email: info@vs-automatic.dk

Herewith declares that

Component: Controlpanel
Type: 150206
Year of manufator: 2015

is intended to be incorporated into machinery or to be assembled with other machinery to constitute machinery covered by Directive 2006/42/EC

does therefor not in every respect comply with the provisions of this directive
does comply with the provisions of the following other EC directives

EC directives

EC machine directive 89/392/EEC, as per 91/386/EEC, 93/68/EEC, 93/44/EEC

EC low-voltage directives 73/23/EEC, as per 93/68/EEC, 93/465/EEC

EC EMC directive 89/336/EEC as per 92/31/EEC, 93/68/EEC, 93/465/EEC

Harmonized standards

EN60204-1 Safety of Machinery Electrical Equipment of Machines

EN60439-1 Low-voltage switchgear and controlgear assemblies part 1: Type-tested and partially type-tested assemblies

And furthermore declares that it is not allowed to put the machinery into service until the machinery into which it is to be incorporated or of which it is to be a component has been found and declared to be in conformity with the provisions of Directive 98/37/EC and with national implementation legislation i.e. as a whole, including the machinery referred to in this declaration

Machine: HG Conveyor 2015-01 600x2800mm
Machine No.: 204308
Type: Year of manufacturer: 2015
Manufacturer: Hedensted Gruppen A/S

Identification of signature:

Firm: VS AUTOMATIC A/S
Address: Ormhøjgårdvej 15
DK-8700 Horsens

Date: Signature

25-03-2015

Torben Steffensen

VS AUTOMATIC

Tlf. 75 64 18 99 - vs-automatic.dk

En del af TS-GRUPPEN - Danmarks stærkeste El & Energi installerer

Type: Hedensted Gruppen A/S

Project: HG Conveyor 2015-01 600x2800mm

File: 150206

Printed: 25-03-2015

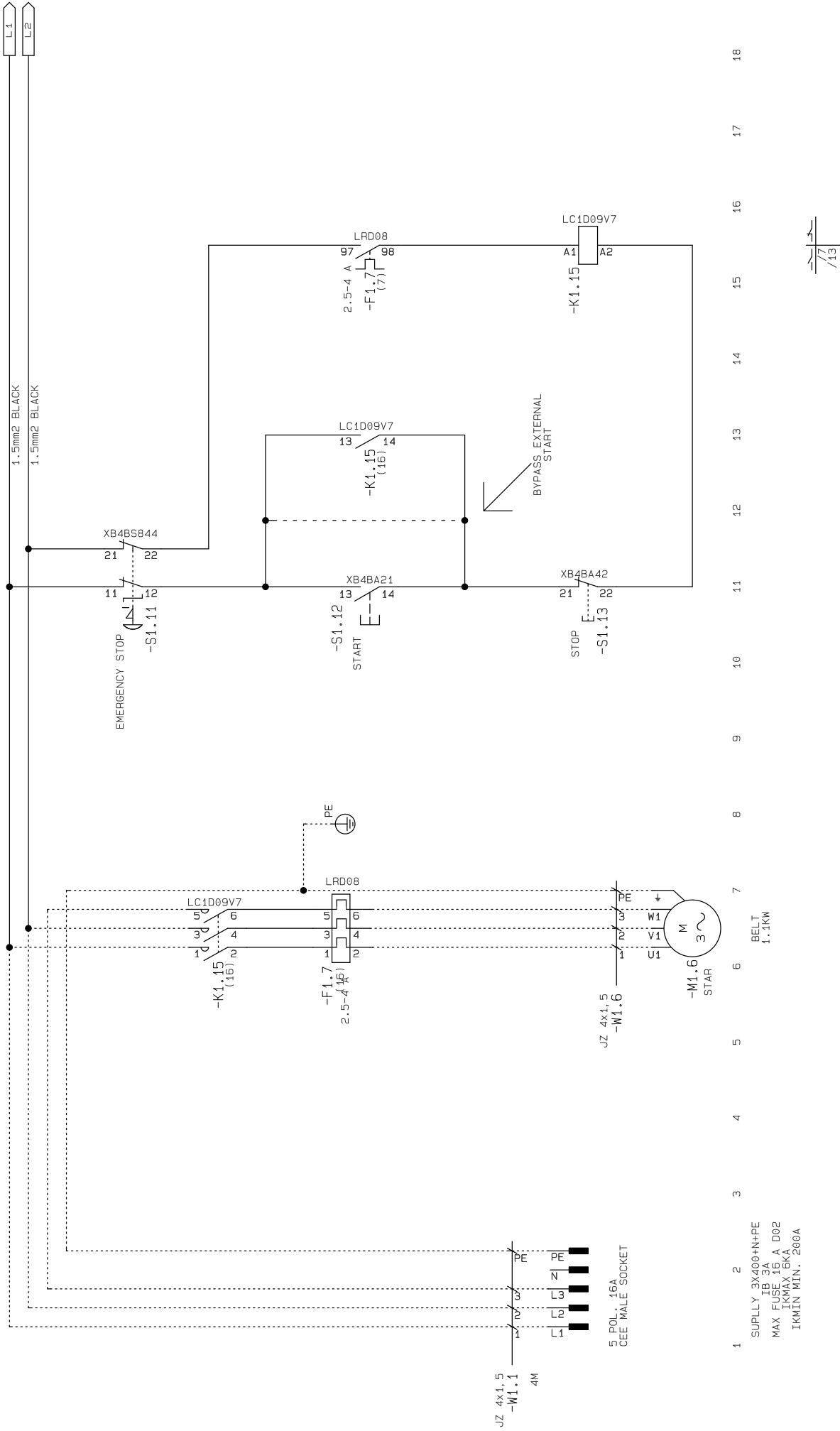
07:42:14

Case no.: 150206

Changed: 06-02-2015 10:56:18

Page: D

of 10



18
17
16
15
14
13
12
11
10
9
8
7
6
5
4
3
2

<p>VS AUTOMATIC Tlf. 75 64 18 99 - vs-automatic.dk En del af TS-GRUPPEN - Danmarks stærkeste El & Energi installerer.</p>	<p>Customer: Hedensted Gruppen A/S Project: HG Conveyor 2015-01 600x2800mm Pagetitle: Main Circuit</p>	<p>Designer: TBT Last prt: 25-03-2015 Last changed: 25-03-2015</p>	<p>Case no:150206 Page ref.: Page: 1 of 10</p>
-----------------------------------------------------------------------------------------------------------------------------------------------------	----------------------------------------------------------------------------------------------------------------	----------------------------------------------------------------------------	--------------------------------------------------------

