



## SPARE PARTS



# HG SKIN CLEANER



13-07-2018

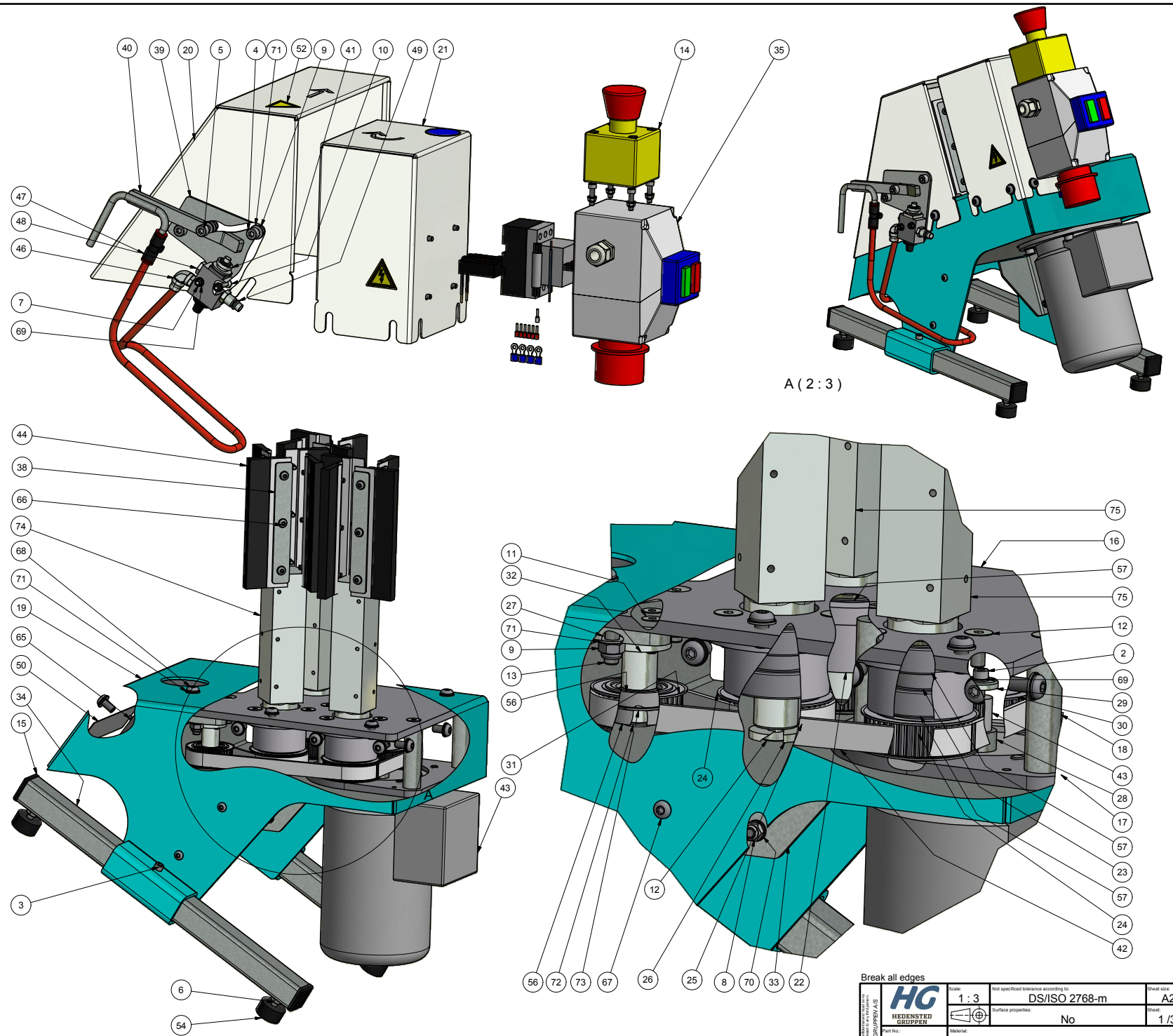
Model 2017 – 20xx

## **1. Table of contents.**

1. Table of contents
2. Spare parts

Parts List

ITEM	QTY	PART NUMBER	DESCRIPTION
1	4	10205008	Hexagon cylinder head M5x8 FZB
2	5	10205020	Hexagon cylinder head M5x20 FZB
3	2	10206012	Hexagon cylinder head M6x12 FZB
4	5	10208020	Hexagon cylinder head M8x20FZB
5	2	10208030	Hexagon cylinder head M8x30 FZB
6	4	1508000	Nut M8 FZB
7	6	17905000	Self-locking nut M5 FZB
8	4	17906000	Self-locking nut M6 FZB
9	5	17908000	Self-locking nut M8 FZB
10	2	20405030	Hexagon countersunk head M5x30 FZB
11	3	20406020	Hexagon countersunk head M6x20 FZB
12	19	20408020	Hexagon countersunk head M8x20 FZB
13	2	20408030	Hexagon countersunk head M8x30 FZB
14	1	204364	Emergency stop box no text
15	4	204749	End cap 30x30mm Black
16	1	204835	Brace for bearing housing
17	1	204840	Brace for motor
18	4	204845	Spacer for motor
19	1	204850	Stand
20	1	204855	Screen with suction
21	1	204860	Screen for single brushch
22	3	204865	Bearing housing
23	3	204870	Spacer for bearing
24	3	204882	Tooth belt pulley T5x40-16
25	3	204885	Key 8x7x20mm DIN-6885A
26	3	204890	Washer for axle
27	1	204895	Adjusting plate for
28	1	204900	Spacer for pulley
29	1	204905	Washer for motor
30	1	204912	Tooth belt pulley for motor
31	1	204917	Tooth belt pulley T5x32-16mm
32	1	204920	Axle for tension wheel
33	1	204935	Screen for belts
34	2	204940	Profile for legs
35	1	204951	Box ABL with CEE indt 16A 4
36	1	204952	Motor protection 1.0-1.6A ABL
37	1	204953	Undervoltage release 400V
38	12	204955	Plate for brusch
39	1	204965	Plate for air valve
40	1	204970	Rocker shaft
41	1	204975	Valve 3/2 with button 1/8" Manuel/Spring
42	1	207115	Tooth belt, double 16T5/815DL (endless)
43	1	207120	Motor 0,37kW 1400rpm
44	12	207495	Brush for skin cleaner HG & BS
45	0,5 m	216122	Air hose Ø8mm PUR Red
46	1	216558	Elbow swivel Ø8 x 1/8" Metal
47	1	216616	Straight connector Ø8 x Ø8
48	1	216738	Plug flange 1/8" w. gasket
49	1	217050	Quick release coupling Plug 1/8" male
50	1	30026	Id plate skin cleaner
51	1	31006	Warning sign high voltage
52	1	31008	Warning Sign rotating parts
53	1	31010	Warning sign, Ear protec.
54	4	423422	Vibration absorber Ø30x15 - M8
55	1	423439	HG Logo - size 75 x110mm
56	2	473014	Bearing Ø15xØ32x9
57	6	473040	Bearing Ø25xØ52x15
58	0,5 m	600147	Cable JZ 5x1,5mm² PVC
59	1	600455	Cabel gland M20 Ø5-12
60	1	600475	Cable gland nut polyamid M20
61	0,6 m	600490	Wire H05V2-K 1x0,75mm² Dark Blue
62	1	600530	Pin 0,75mm² white isolation (on strip)
63	4	600625	Cable shoe 0,5-1,5mm² x Ø4 Red isolation
64	6	601065	Pin 1,0mm² Red isolatin (on strip)
65	2	7003208	Blind rivet Ø3,2x8 (4-5)
66	36	76005012	Buttonhead bolt M5x12 FZB
67	4	76006016	Buttonhead bolt M6x16 FZB
68	14	76008016	Buttonhead bolt M8x16 FZB
69	47	82105900	Washer M5 FZB
70	4	82106000	Washer M6 FZB
71	24	82108000	Washer M8 FZB
72	1	89715000	Seeger ring for shaft Ø15
73	1	89832000	Seeger ring for hole Ø32
74	1	M102048	Shaft for brush CCW
75	2	M102050	Shaft for brush CW



A (2:3)

Break all edges

Scale:	1:3	Not specified tolerance according to:	DS/ISO 2768-m	Sheet size:	A2
Surface properties:	No	Material:		Sheet:	1/3
Part No.:	207110				
Description 1:	HG Skin cleaner				
Description 2:	3x400V+PE				

Revision	Approved	Date	Revision Description
1	MRH	20-05-2016	Shafts changed

