

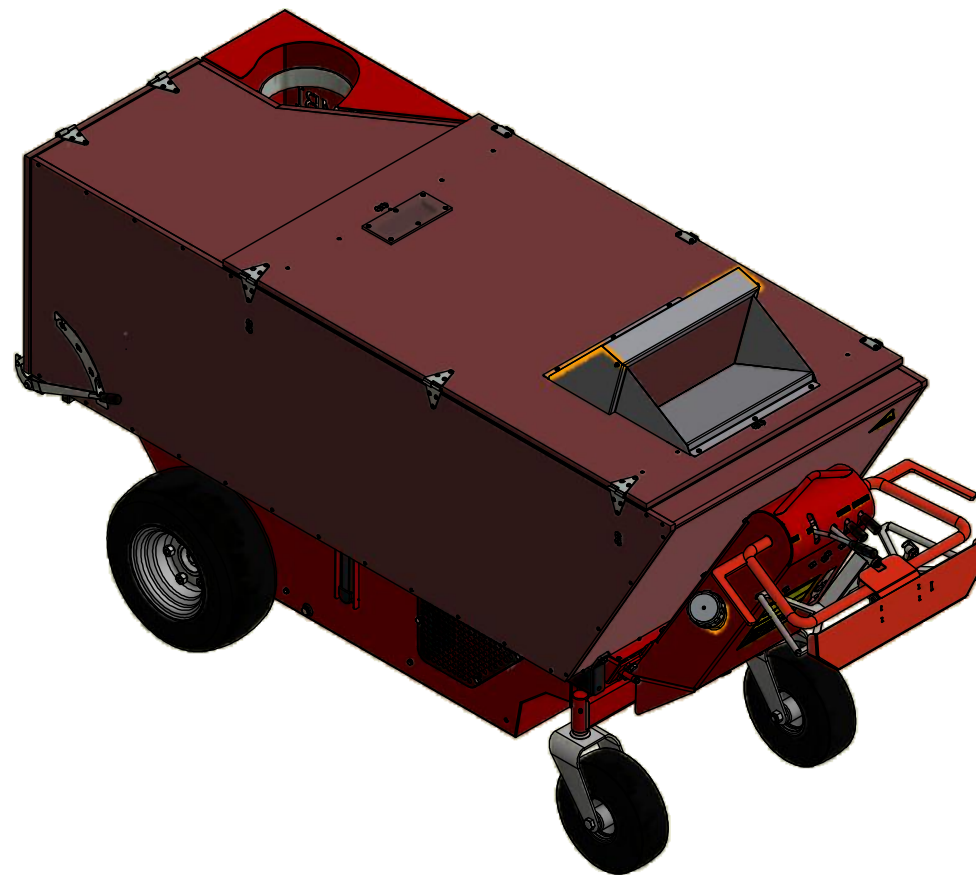
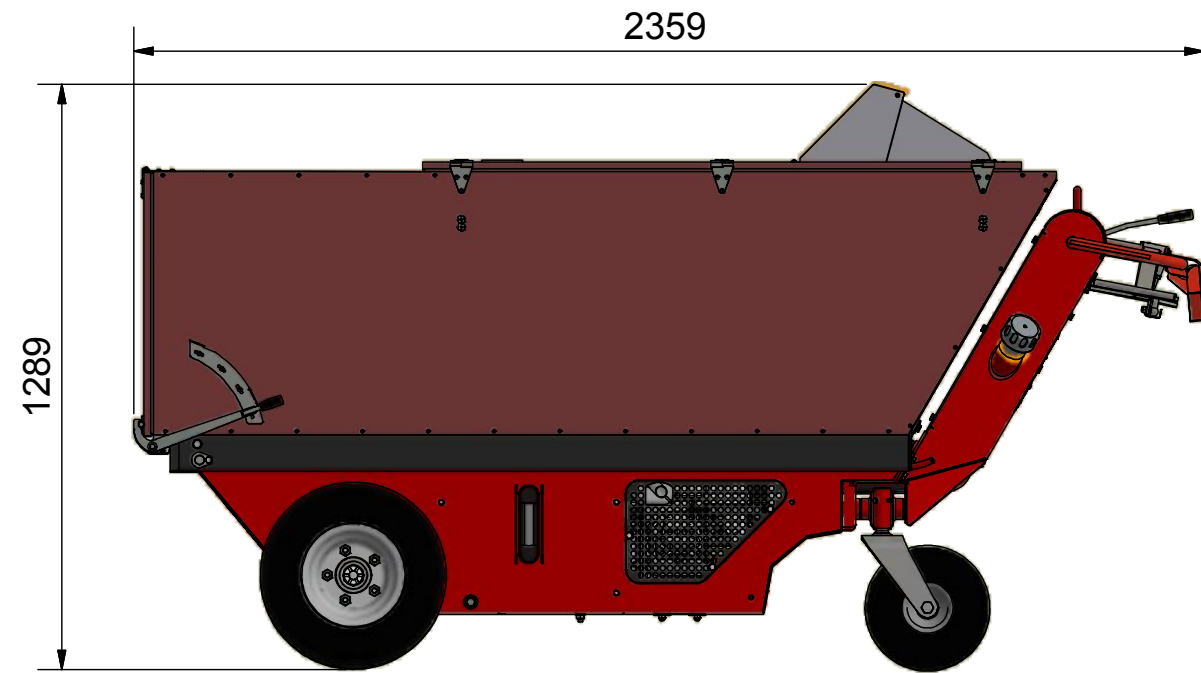
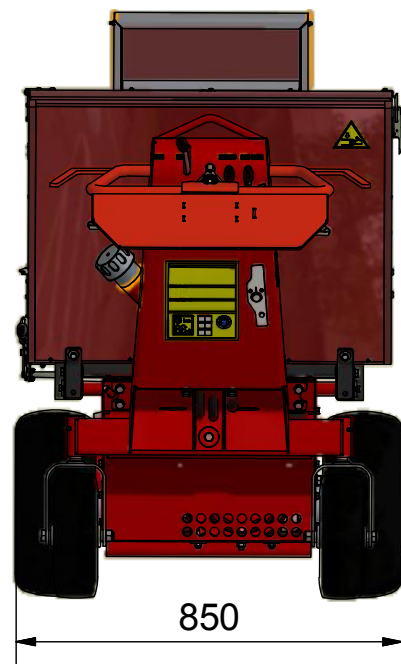


Spare parts



280131 Hydra Combi

HG
HEDENSTED
GRUPPEN



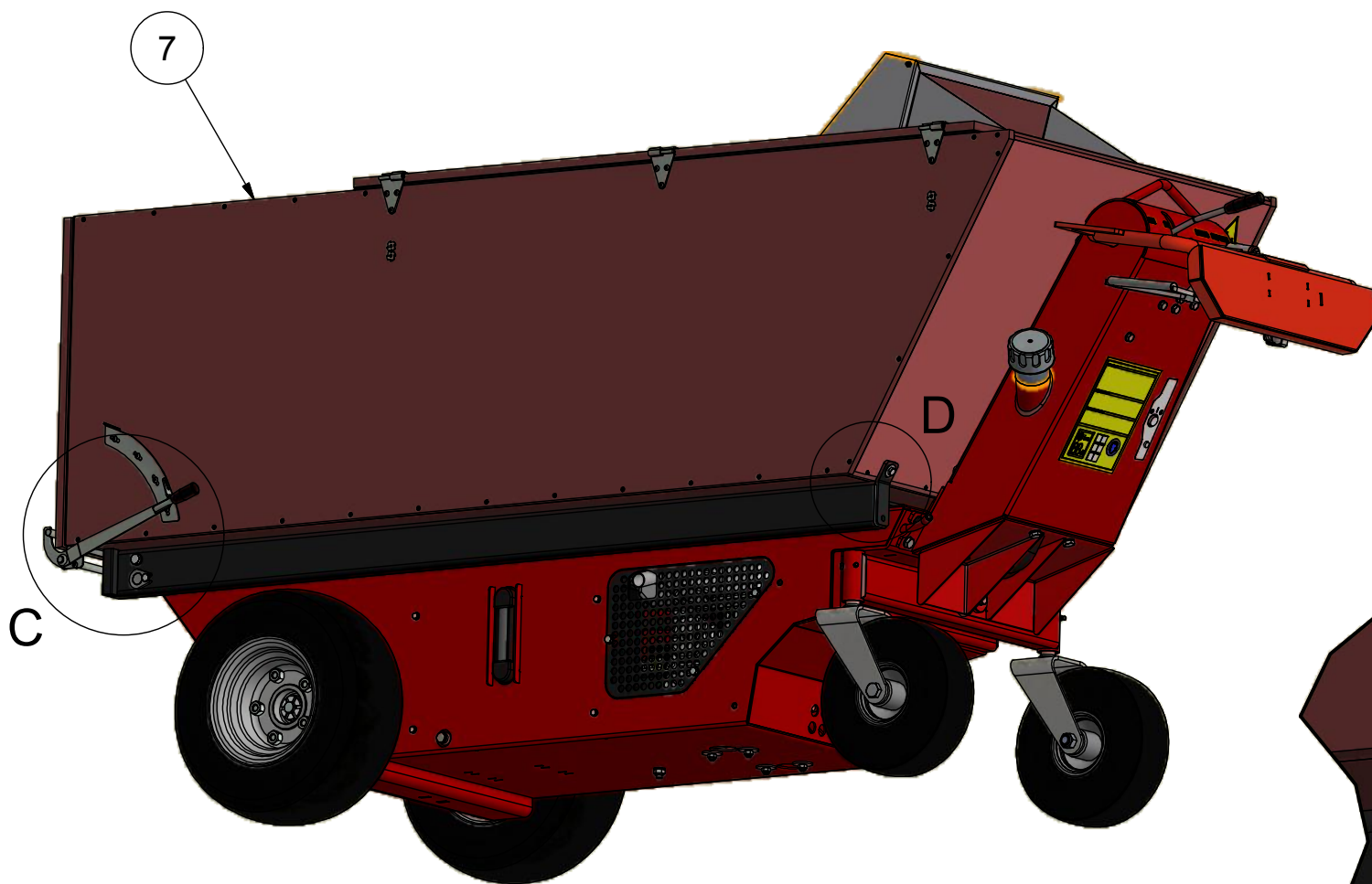
Break all edges

<small>This document is strictly confidential and must not be accounted for copied or disclosed to any third person.</small> HEDENSTED GRUPPEN A/S	HG	Scale:	Not specified tolerance according to:	Sheet size:
	<small>HEDENSTED GRUPPEN</small>	1 : 12	DS/ISO 2768-m	A3
	Part No.:		Surface properties:	Sheet:
	280131	No	2 / 2	
Description 1:		Material:		
Hydra combi with Co2 box				
Description 2:				
Without manometer				

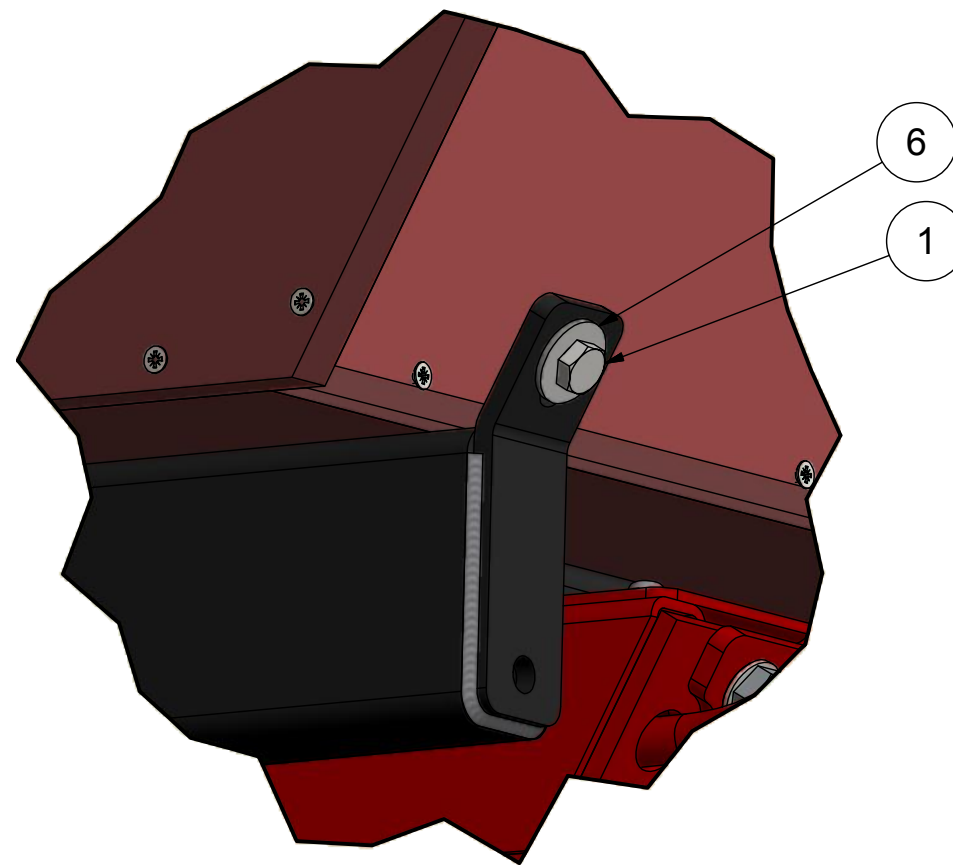
Revision:	Approved	Date:	Revision Description
1	HG	28-09-2015	Revision changed to numeric

PARTS LIST

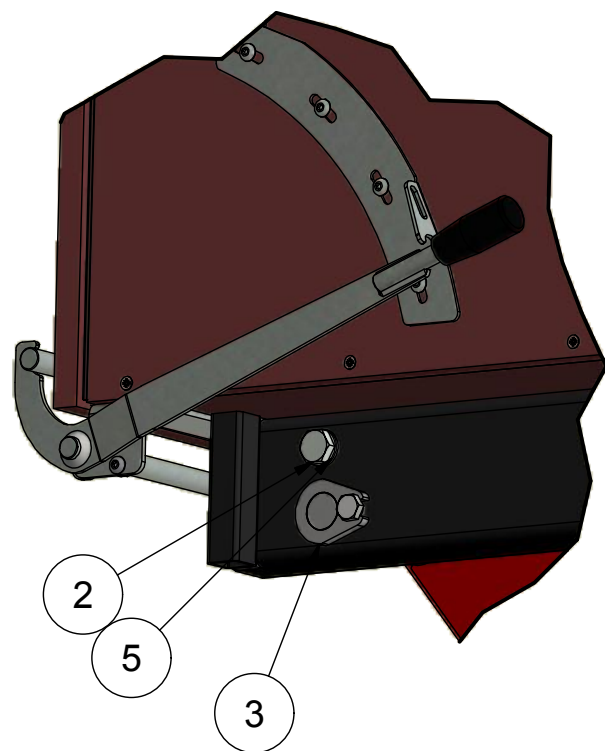
ITEM	QTY	PART NUMBER	DESCRIPTION
1	2	11408025	Hexagon bolt M8x25 FZB
2	2	11410060	Hexagon bolt M10x60 FZB
3	1	280123	Hydra Combi w.electrical/Co2
4	5,0 l	476505	Gasoline 95 unleaded
5	2	82110000	Washer M10 FZB
6	2	82608000	Washer Ø8,4x24x2 FZB
7	1	M100130	Killing box for Co2



D (1:2)



C (1:4)



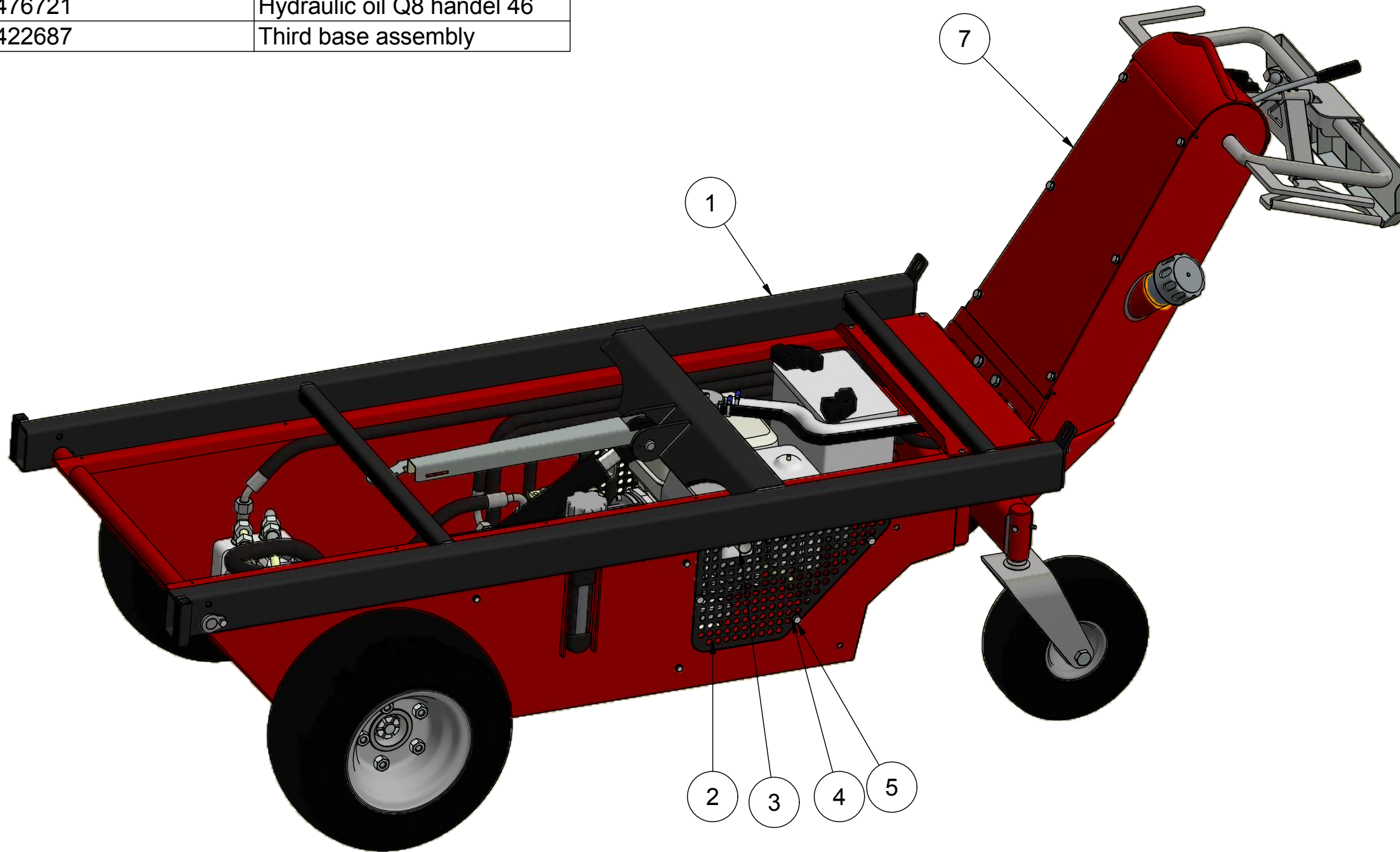
Break all edges

The document is strictly confidential and must not be accounted for copied or disclosed to any third person. HEDENSTED GRUPPEN A/S	 HEDENSTED GRUPPEN	Scale:	Not specified tolerance according to:	Sheet size:
		1 : 12	DS/ISO 2768-m	A3
Part No.:		Surface properties:		Sheet:
280131		No		1 / 2
Description 1:				
Hydra combi with Co2 box				
Description 2:				
Without manometer				


Revision:	Approved	Date:	Revision Description
1	HG	28-09-2015	Revision changed to numeric

PARTS LIST

ITEM	QTY	PART NUMBER	DESCRIPTION
1	1	422674	Stand assembly
2	1	422558	Frame part 10
3	1	441805	Exhaust for Hydra combi
4	3	82108000	Washer M8 FZB
5	3	11408016	Hexagon bolt M8x16 FZB
6	14,0 l	476721	Hydraulic oil Q8 handel 46
7	1	422687	Third base assembly

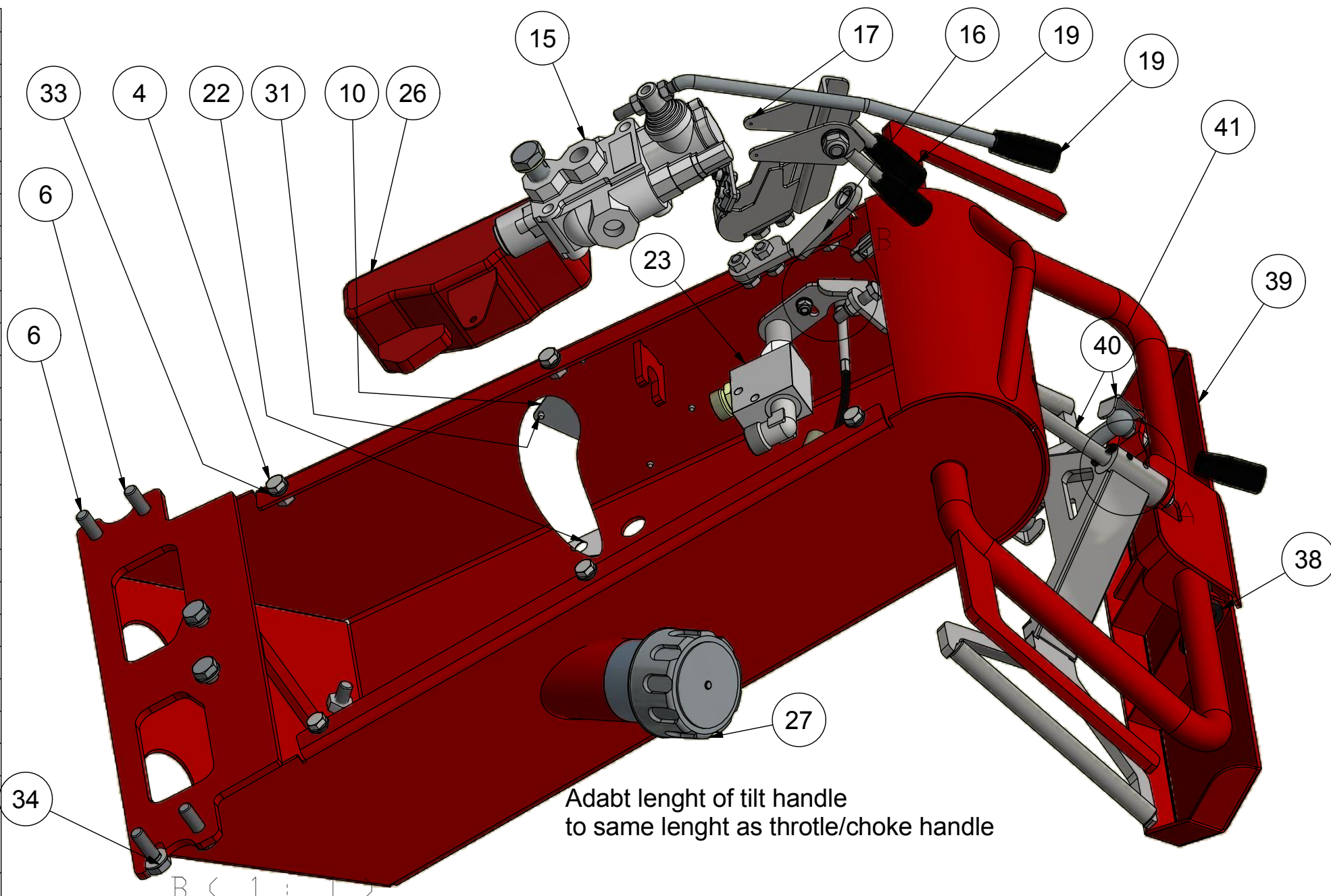


Break all edges

This document is strictly confidential and must not be disclosed to any third person. HEDENSTED GRUPPEN A/S	 HEDENSTED GRUPPEN	Scale: 1 : 8	Not specified tolerance according to: DS/ISO 2768-m	Sheet size: A3
	Part No.: 280123	Material:	Surface properties: No	Sheet: 1 / 1
	Description 1: Hydra Combi w.electrical/Co2			
	Description 2:			

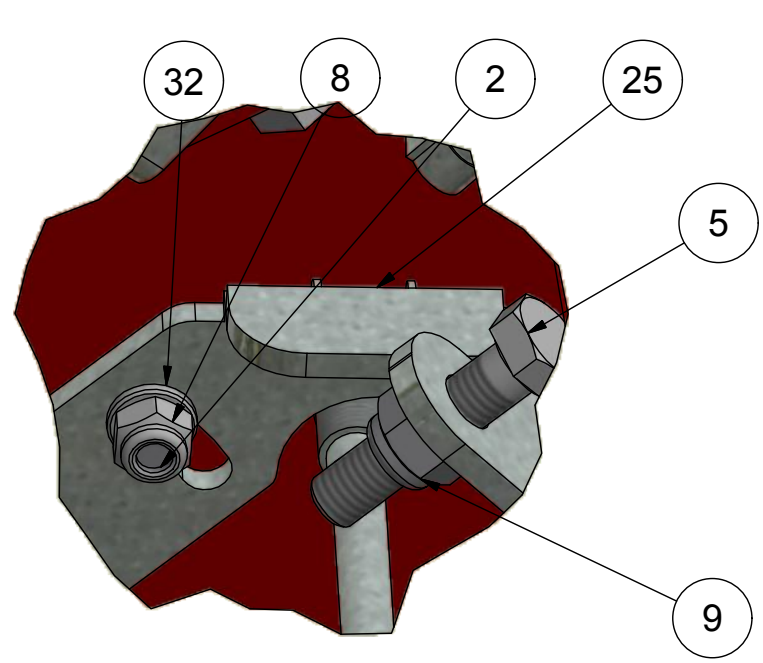
Revision:	Approved	Date:	Revision Description
1	HG	28-09-2015	Revision changed to numeric

Parts List			
ITEM	QTY	PART NUMBER	DESCRIPTION
1	1	10508050	Stop screw M8x50-B
2	2	11406016	Hexagon bolt M6x16 FZB
3	1	11406020	Hexagon bolt M6x20 FZB
4	6	11408016	Hexagon bolt M8x16 FZB
5	1	11408035	Hexagon bolt M8x35 FZB
6	8	11410030	Hexagon bolt M10x30 FZB
7	2	1508000	Nut M8 FZB
8	2	17906000	Self-locking nut M6 FZB
9	3	17908000	Self-locking nut M8 FZB
10	1	30039	Id plate CE for Hydra Combi
11	2	415042	Ball angle joint AS13 M8
12	1	422566	Frame assembly 2
13	1	422640	Trotle cable for Hydra combi
14	1	422642	Choke cable for Hydra combi
15	1	422663	Tilt valve assambly 2014
16	1	422664	Assembly bearing for handle
17	1	422666	Throttle/choke assembly
18	3	423423	Slide bushing Ø12xØ14x7
19	3	423424	Handle, Ø21 cylindrical knob Ø10
20	1	423432	F-Bracket for cable G5x20
21	1	423443	Clips for F-joint
22	1	423464	Sticker for key start
23	1	423570	Alu valveblock pipe mounted
24	1	423572	Valve, cartridge 12v DC 2 way with override
25	1	423590	Bracket for valve
26	1	441720	Key start GX 200
27	1	445091	Fuel tank cap G400
28	1	470565	Choke cable SS-SM
29	1	477117	Straight connector w. gasket Ø15L x 3/8"
30	1	477146	Elbow 3/8"t x Ø15L
31	4	7003208	Blind rivet Ø3.2x8 (4-5,5)
32	4	82106000	Washer M6 FZB
33	6	82108000	Washer M8 FZB
34	8	82110000	Washer M10 FZB
35	1	82606000	Washer Ø6,4x18x1,6 FZB
36	2	89505022	Pin slotted Ø5x22
37	1	M100499	Trottel grip
38	1	M100501	Lock rod assembly
39	1	M100503	Bumper assembly
40	2	M100507	Ball lock
41	1	M100772	Trotle shaft for hydra combi

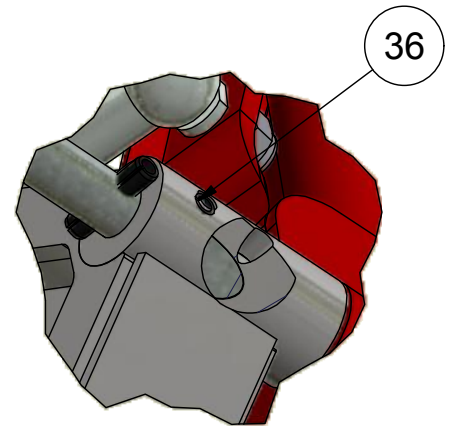


Adabt lenth of tilt handle to same lenth as throttle/choke handle

B < 1 : 1 >



A < 1 : 1,5 >

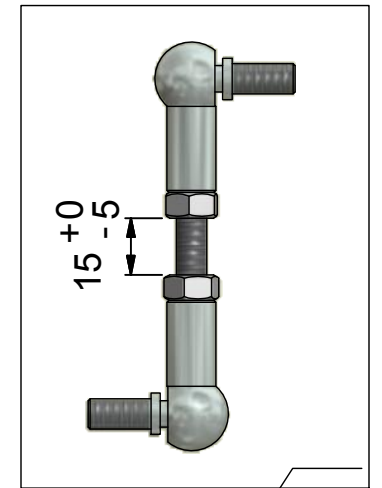
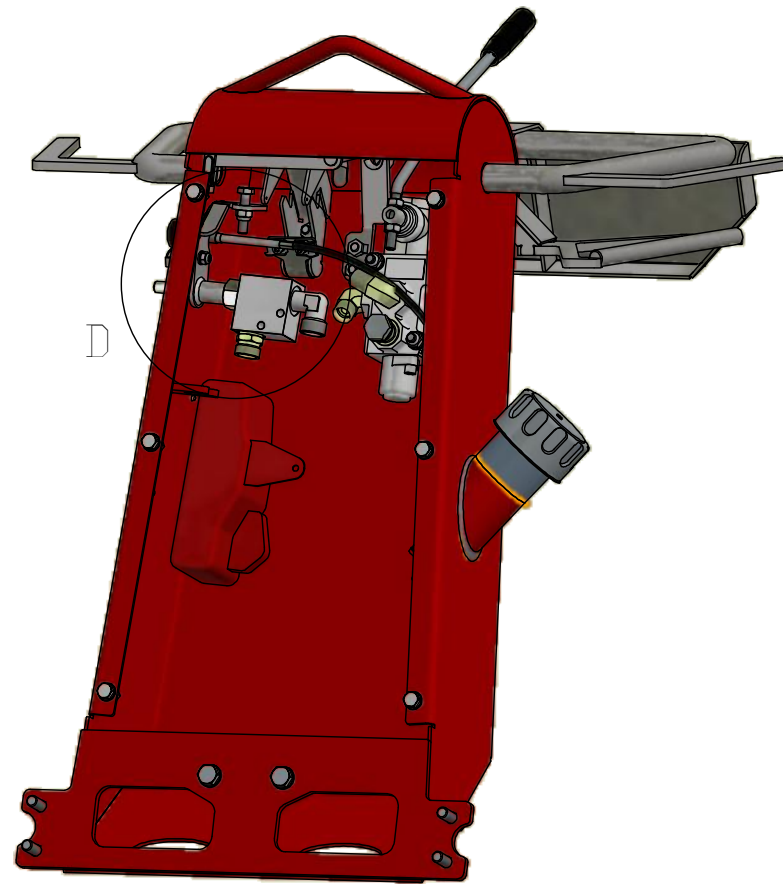
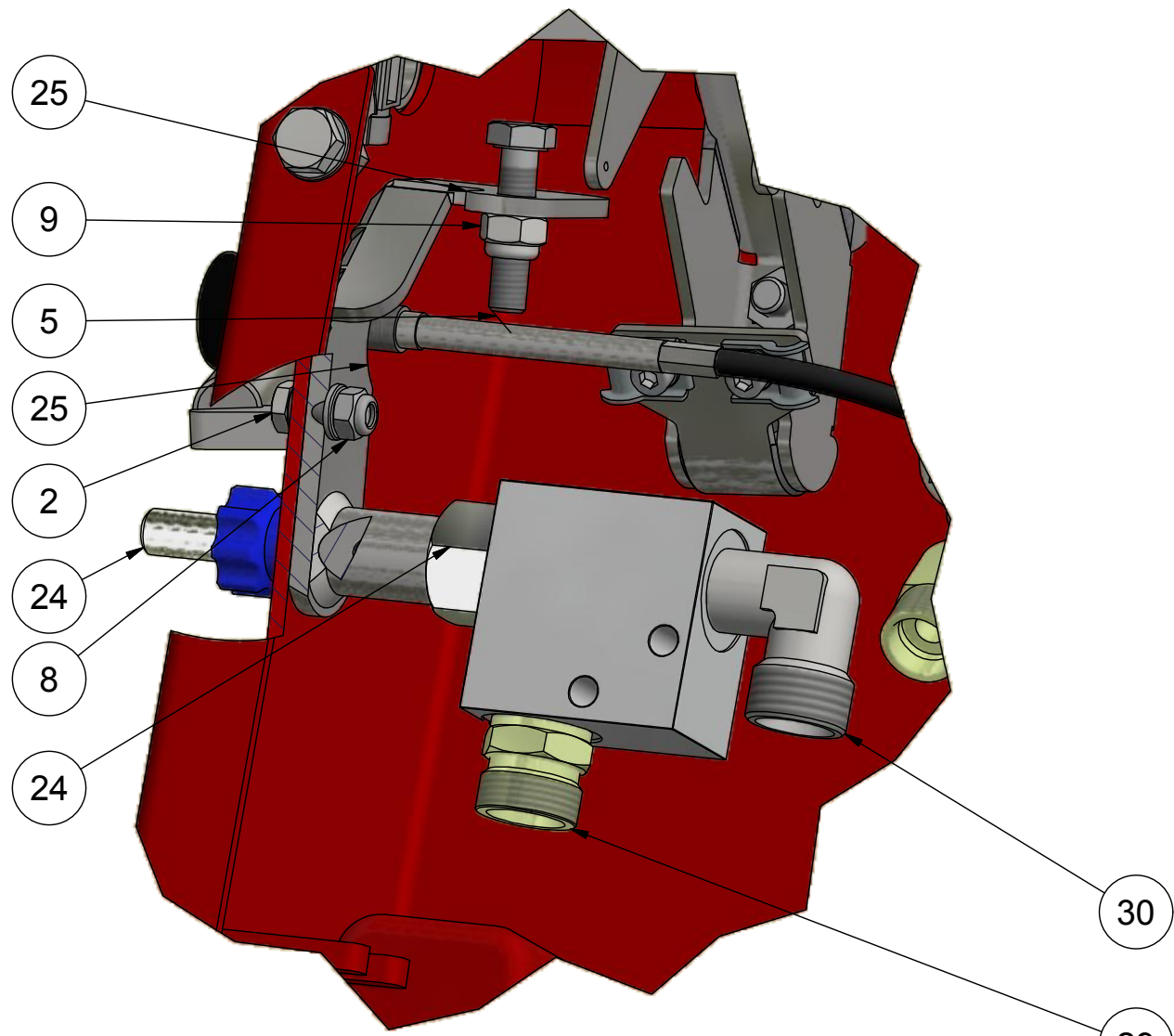


Break all edges

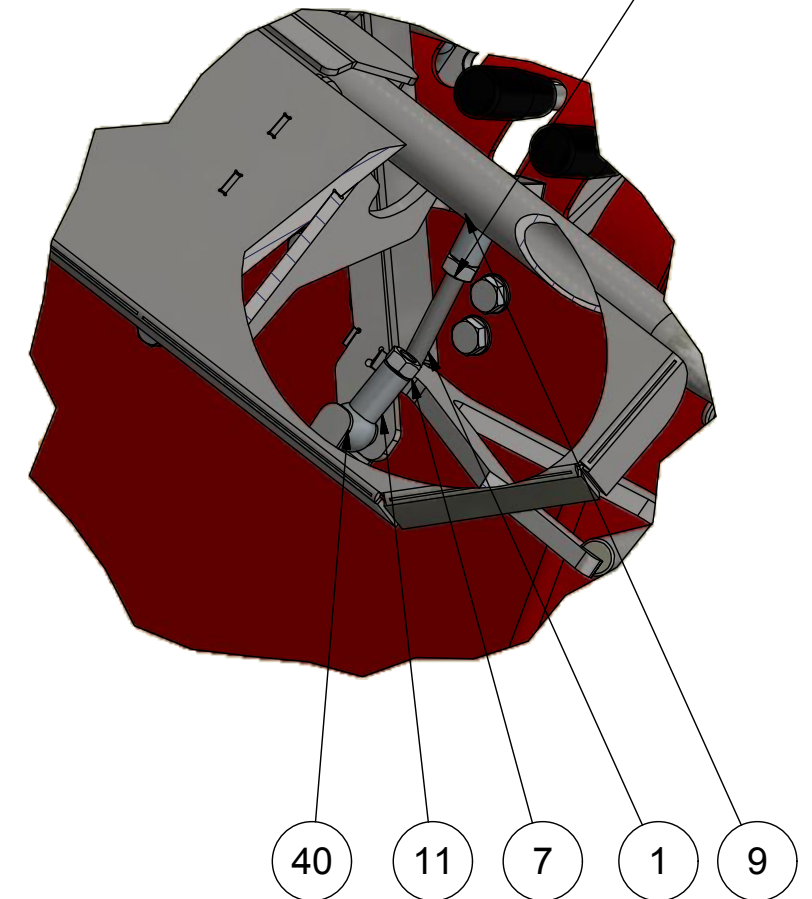
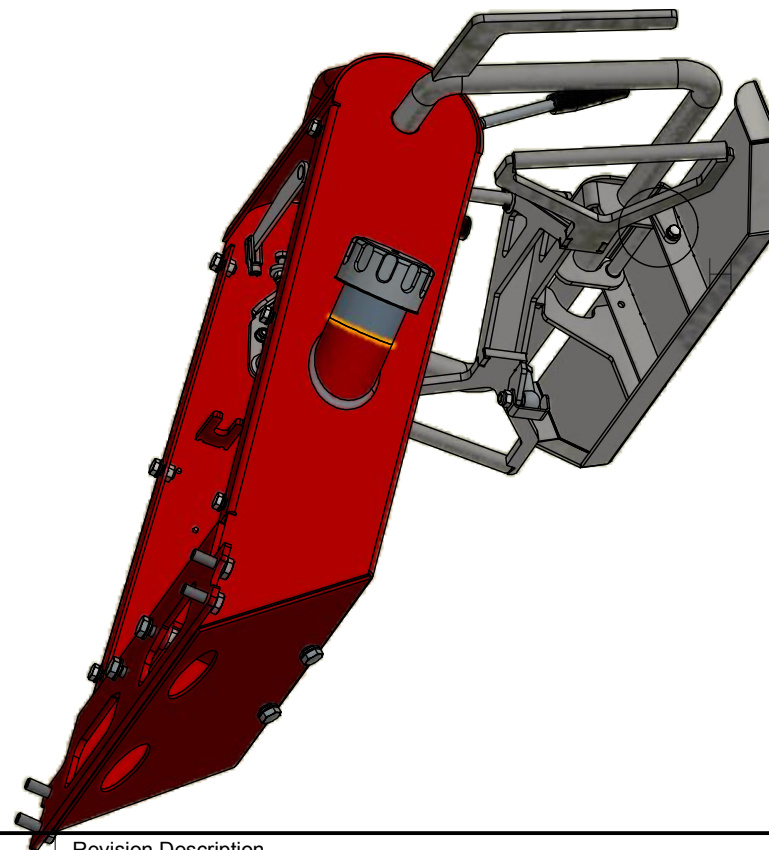
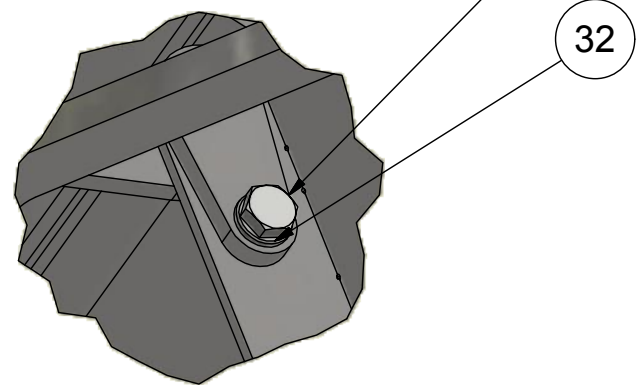
<small>The documents strictly confidential and must not be accounted by copied or disclosed to any third person.</small> HEDENSTED GRUPPEN A/S	HG	Scale: 1 : 3,7	Not specified tolerance according to:	Sheet size: A3
	<small>HEDENSTED GRUPPEN</small>		Surface properties:	Sheet: 1 / 2
	Part No.: 422678	Material:		
	Description 1: Operator assembly			
Description 2:				

Revision:	Approved	Date:	Revision Description
1	HG	28-09-2015	Revision changed to numeric

D < 1 : 1,5 >


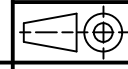


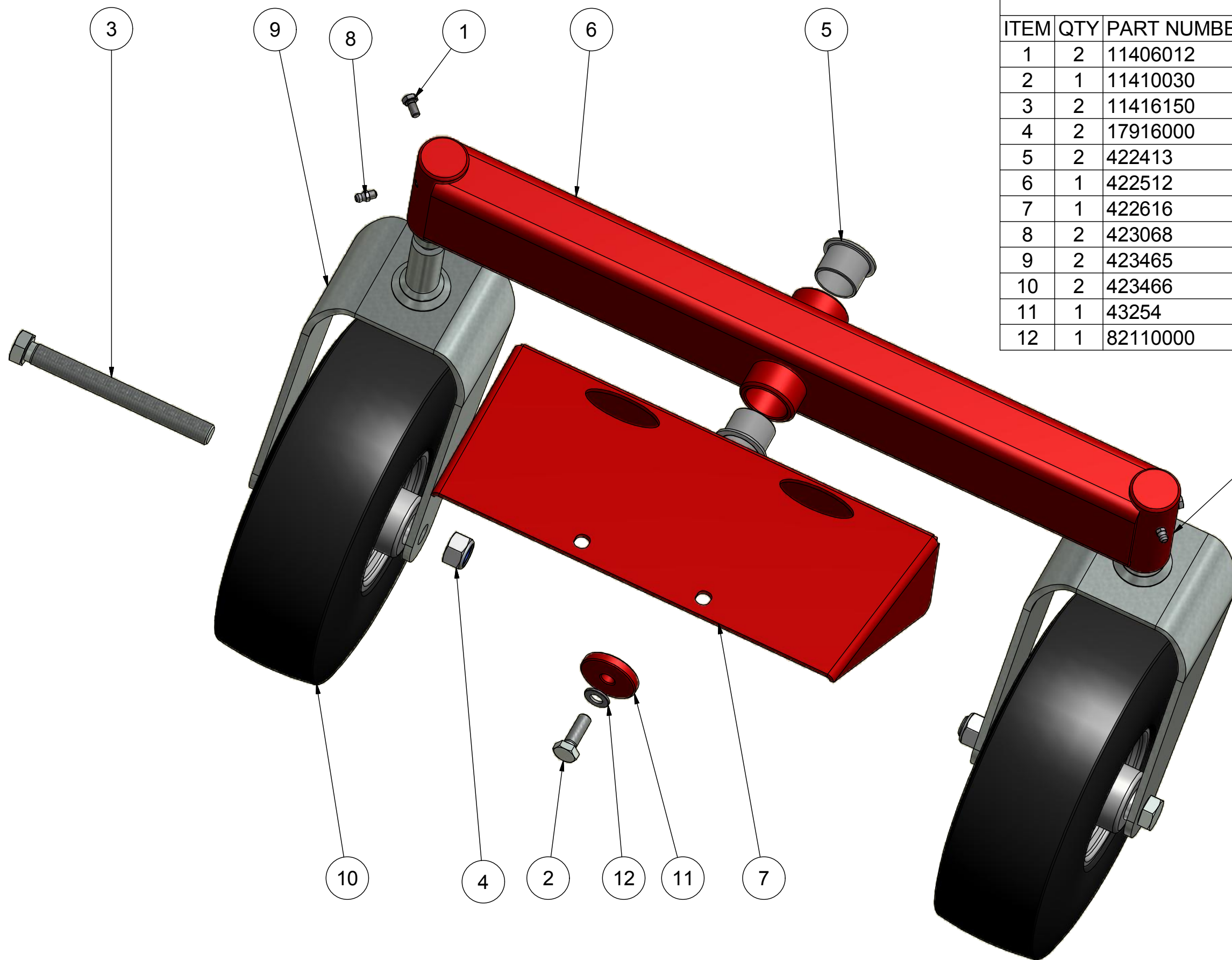
H < 1 : 1,5 >



Revision:	Approved	Date:	Revision Description
1	HG	28-09-2015	Revision changed to numeric

Break all edges

The documents are strictly confidential and must not be accounted for copied or disclosed to any third person. HEDENSTED GRUPPEN A/S	 HEDENSTED GRUPPEN	Scale: 1 : 3,7	Not specified tolerance according to:	Sheet size: A3
	Part No.: 422678	Material:	 Surface properties:	Sheet: 2 / 2
Description 1: Operator assembly				
Description 2:				



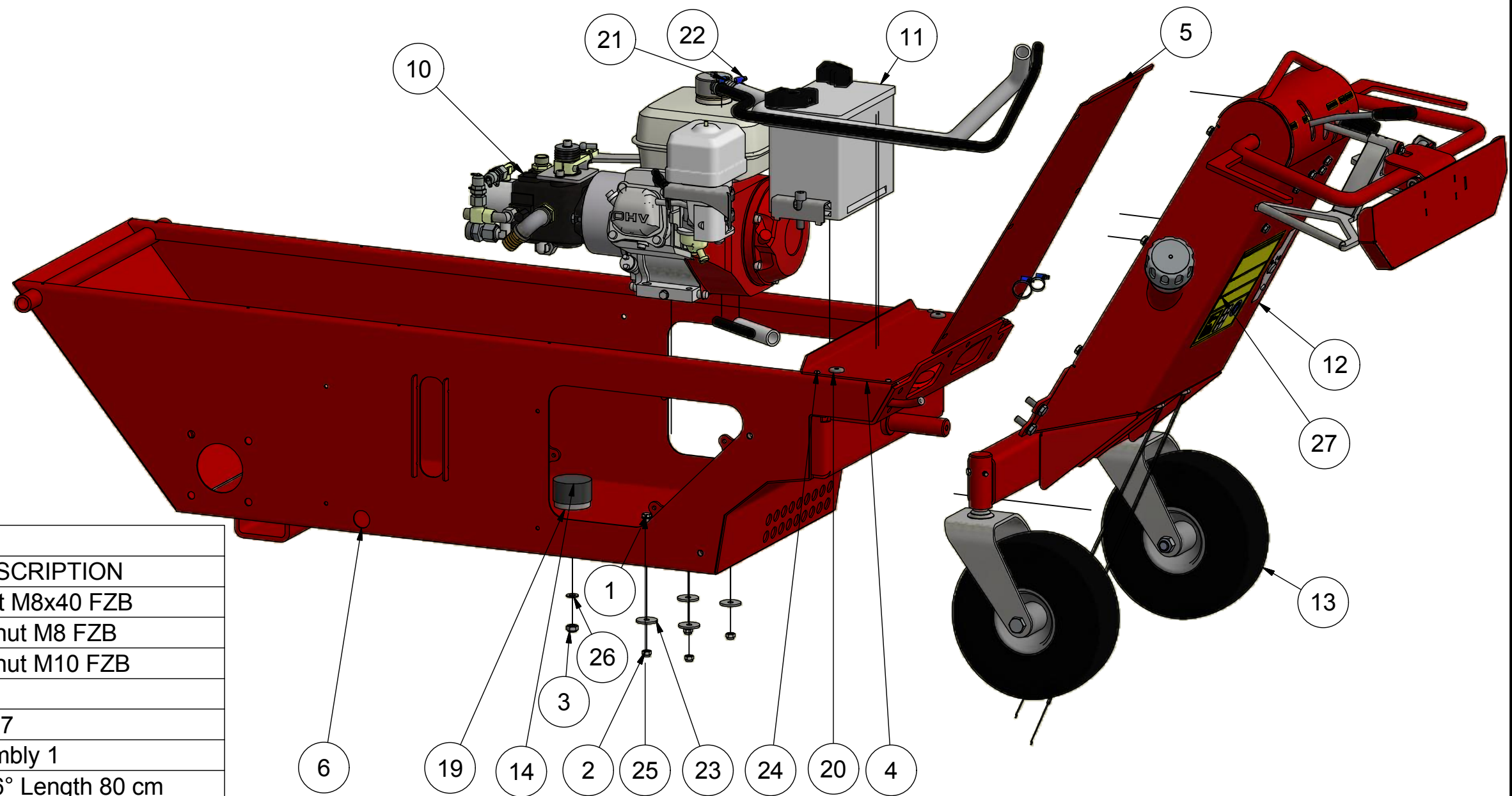
Parts List			
ITEM	QTY	PART NUMBER	DESCRIPTION
1	2	11406012	Hexagon bolt M6x12 FZB
2	1	11410030	Hexagon bolt M10x30 FZB
3	2	11416150	Hexagon bolt M16x150 FZB
4	2	17916000	Self-locking nut M16 FZB
5	2	422413	Slide Bearing PAF-30260 (34x30x26)
6	1	422512	Suspension movable part
7	1	422616	Reinforcement for control
8	2	423068	Grease fitting M6 straight
9	2	423465	Fork for wheel DGT 12"
10	2	423466	Fork wheel SS Hydra
11	1	43254	End plate Ø45
12	1	82110000	Chamfered Washer M10 FZB

Add grease in both grease fittings

Break all edges

The documents are confidential and must not be accounted for copied or disclosed to any third person. HEDENSTED GRUPPEN A/S		Scale:	Not specified tolerance according to:	Sheet size:
		1 : 3	DS/ISO 2768-m	A3
Part No.:		Surface properties:		Sheet:
422680				1 / 1
Description 1:				
Suspension assembly				
Description 2:				

Revision:	Approved	Date:	Revision Description
1	HG	28-09-2015	Revision changed to numeric




PARTS LIST

ITEM	QTY	PART NUMBER	DESCRIPTION
1	4	11408040	Hexagon bolt M8x40 FZB
2	4	17908000	Self-locking nut M8 FZB
3	1	17910000	Self-locking nut M10 FZB
4	1	422556	Frame part 6
5	1	422562	Frame part 17
6	1	422564	Frame assembly 1
7	1	422652	Red wire 16° Length 80 cm
8	1	422654	Black wire length 98 cm
9	1	422656	Wireing for Engine
10	1	422661	Engine assembly 2
11	1	422676	Battery assembly
12	1	422678	Operator assembly
13	1	422680	Suspension assembly
14	1	423421	Vibration absorber Ø65x35 - M10
19	1	423542	Washer for vibration absorber
20	2	423606	Rubber plug for plate
21	2	474007	Hose clamp 14-22
22	2	474008	Hose clamp 22-30
23	4	4809335	Washer SRKB Ø9x35x3 FZB
24	4	76005012	Buttonhead bolt M5x12 FZB
25	4	82108000	Washer M8 FZB
26	1	82110000	Washer M10 FZB
27	1	423477	Warning logo DK
28	0,9 m	423451	Fuel hose hydro eco 10x3,5
29	0,9 m	423452	Fuel hose 19x6,0

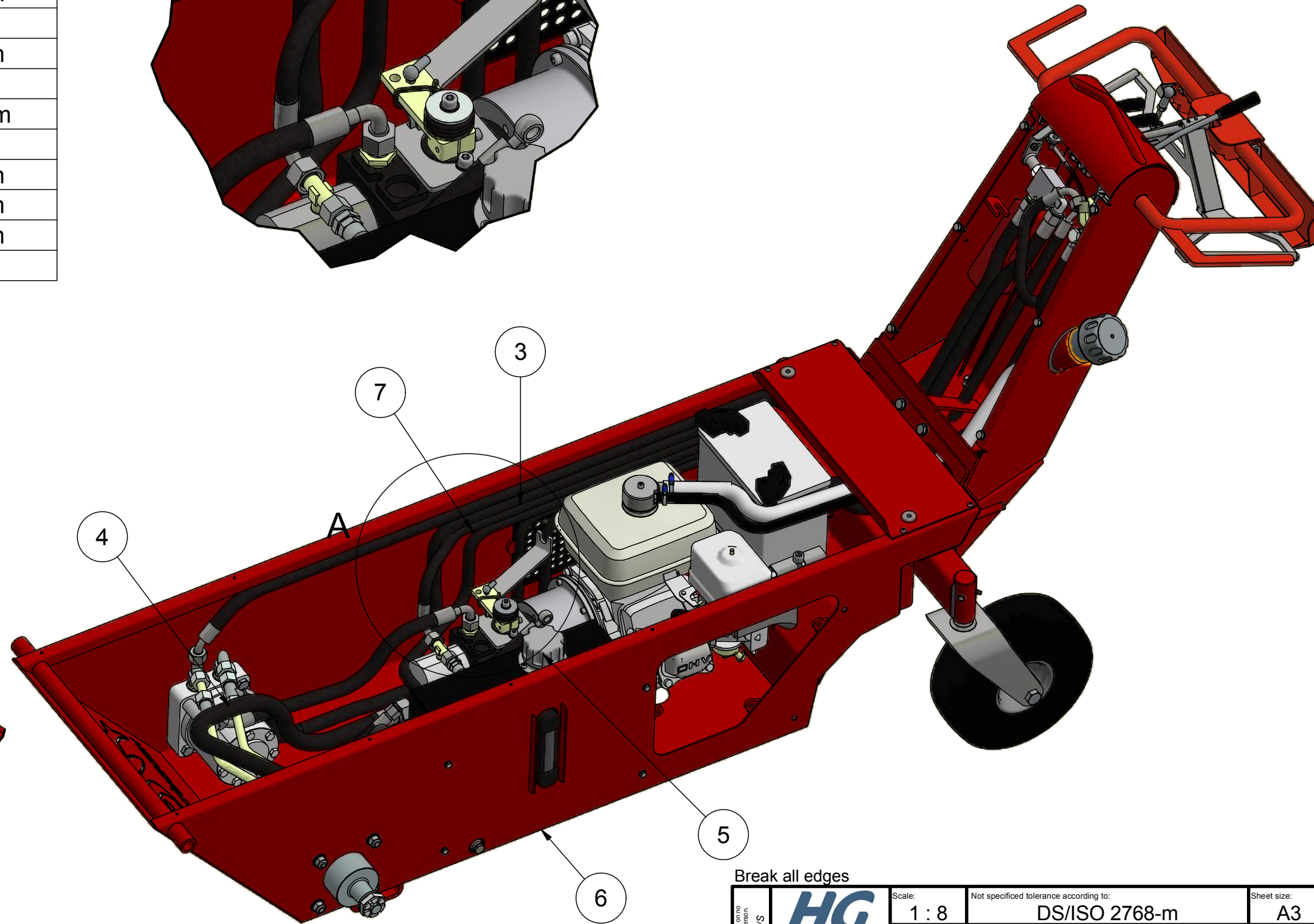
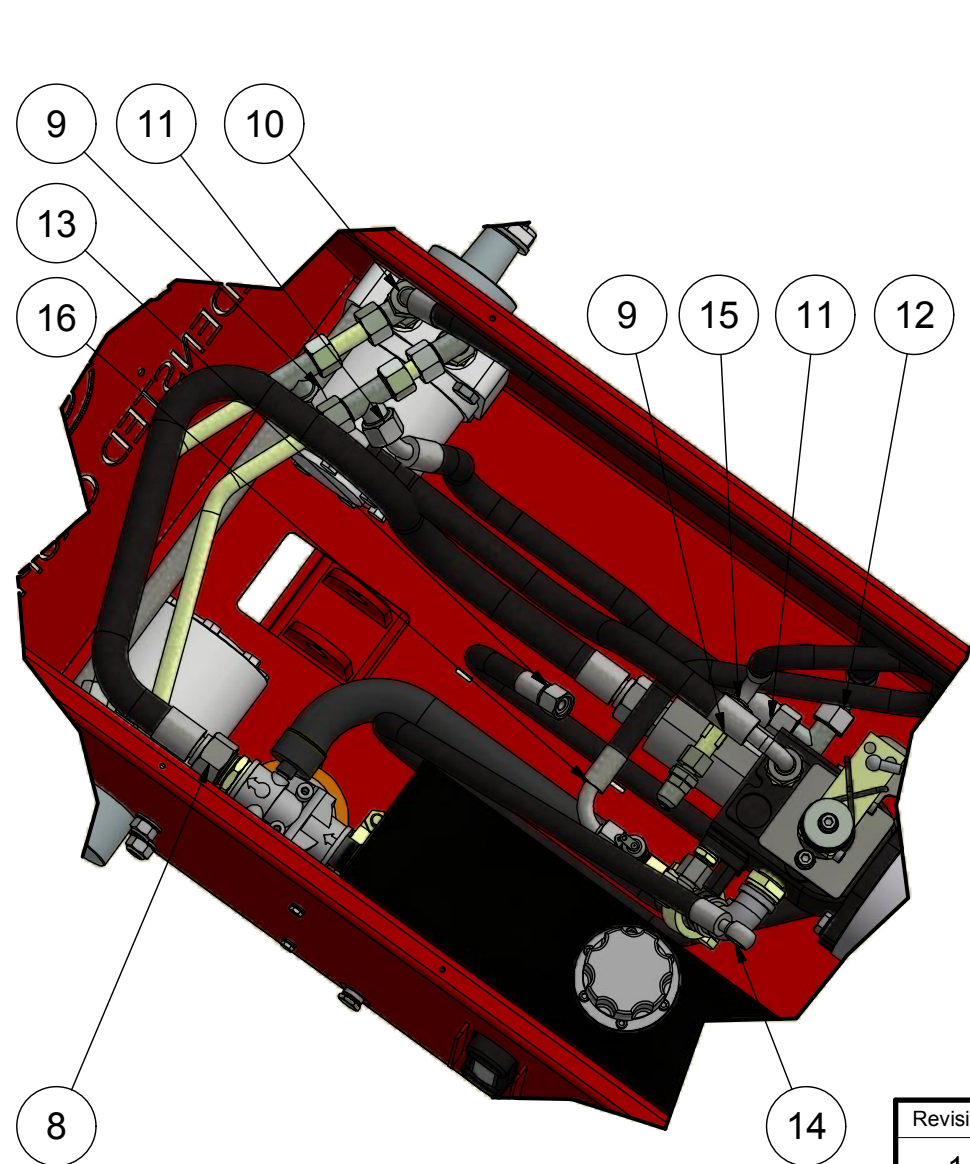
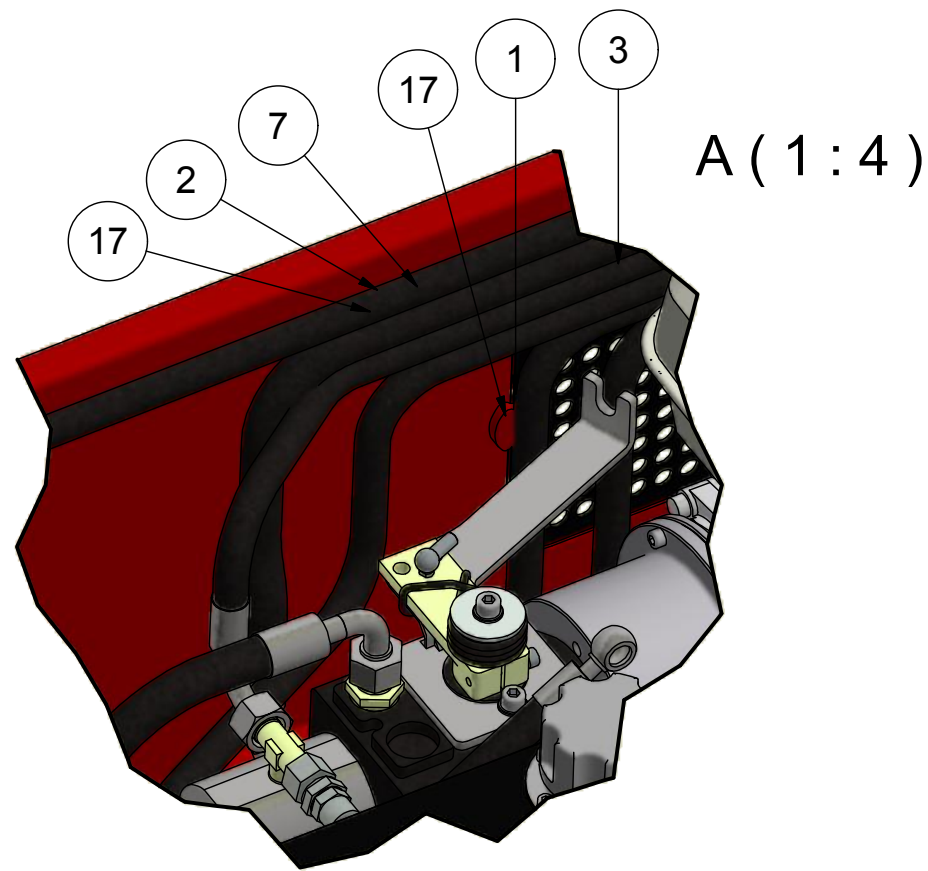
Revision:	Approved	Date:	Revision Description
1	HG	28-09-2015	Revision changed to numeric

Break all edges


<small>This document is strictly confidential and must not be copied or disclosed to any third person.</small> HEDENSTED GRUPPEN A/S	 HEDENSTED GRUPPEN	Scale: 1:8	Not specified tolerance according to: DS/ISO 2768-m	Sheet size: A3
	Part No.: 422683	Material:	Surface properties: No	Sheet: 1/2
Description 1: First base assembly				
Description 2:				

PARTS LIST

ITEM	QTY	PART NUMBER	DESCRIPTION
1	3	11408016	Hexagon bolt M8x16 FZB
2	2	11408025	Hexagon bolt M8x25 FZB
3	1	422560	Frame part 12
4	1	422668	Wheel motor assembly
5	1	422670	Hydraulic tank assembly
6	1	422683	First base assembly
7	2	423601	Hose clamp
8	1	477404	Hydraulic hose 1. 3/4"x 825mm
9	1	477406	Hydraulic hose 2. 1/2" x 500mm
10	1	477408	Hydraulic hose 3. 1/2"x 1780mm
11	1	477410	Hydraulic hose 4. 1/2"x 460mm
12	1	477412	Hydraulic hose 5. 1/2" x 1420mm
13	1	477414	Hydraulic hose 6. 3/8"x2200mm
14	1	477416	Hydraulic hose 7. 3/8"x 2690mm
15	1	477418	Hydraulic hose 8. 3/8" x1625mm
16	1	477420	Hydraulic hose 9. 3/8" x1820mm
17	5	82108000	Washer M8 FZB



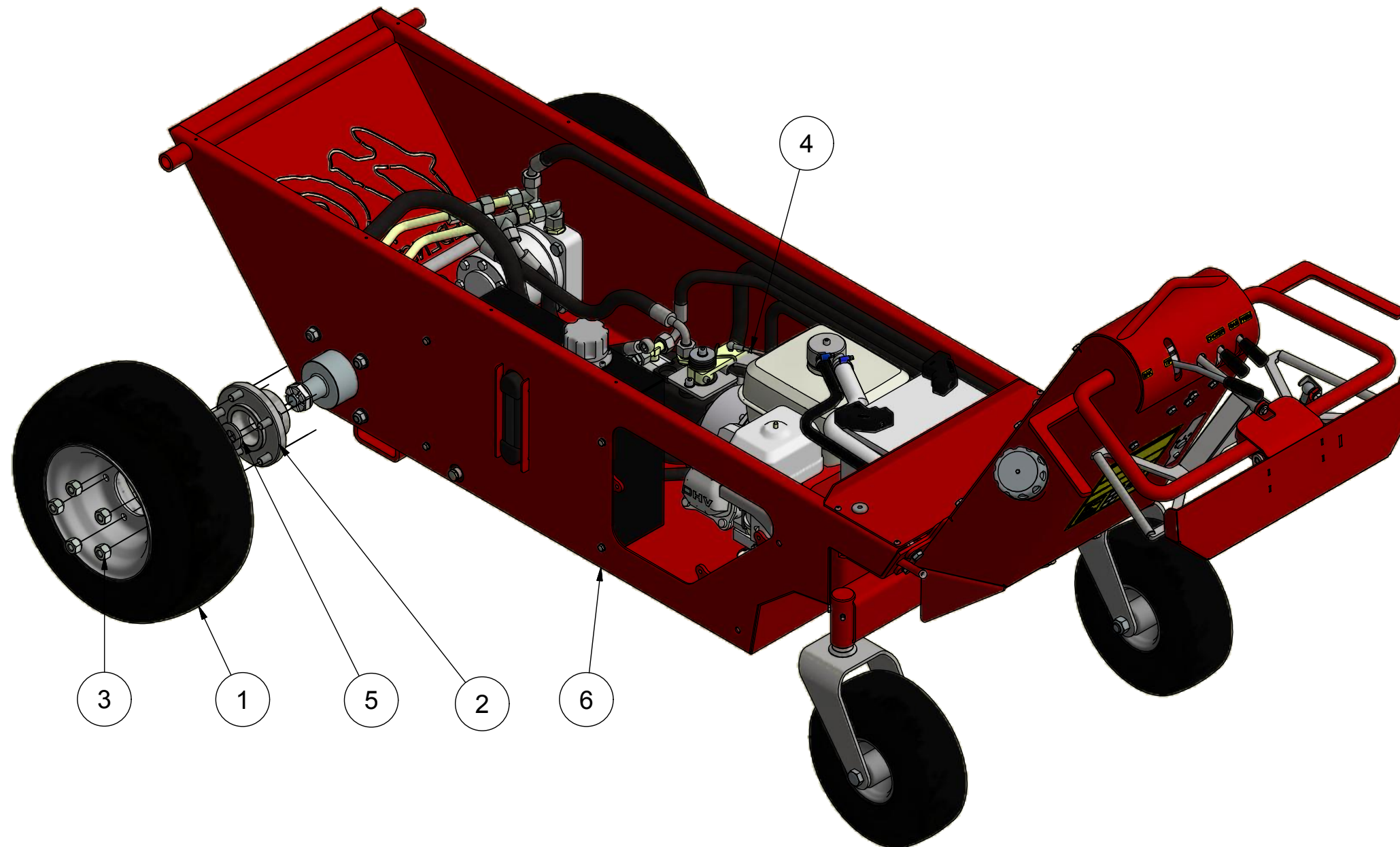
Break all edges

 HEDENSTED GRUPPEN	Scale:	Not specified tolerance according to:	Sheet size:
	1 : 8	DS/ISO 2768-m	A3
Part No.:	Surface properties:		Sheet:
422685	No		1 / 1
Description 1: Second base assembly			
Description 2: Hydra combi Co2			


Revision:	Approved	Date:	Revision Description
1	HG	28-09-2015	Revision changed to numeric

PARTS LIST

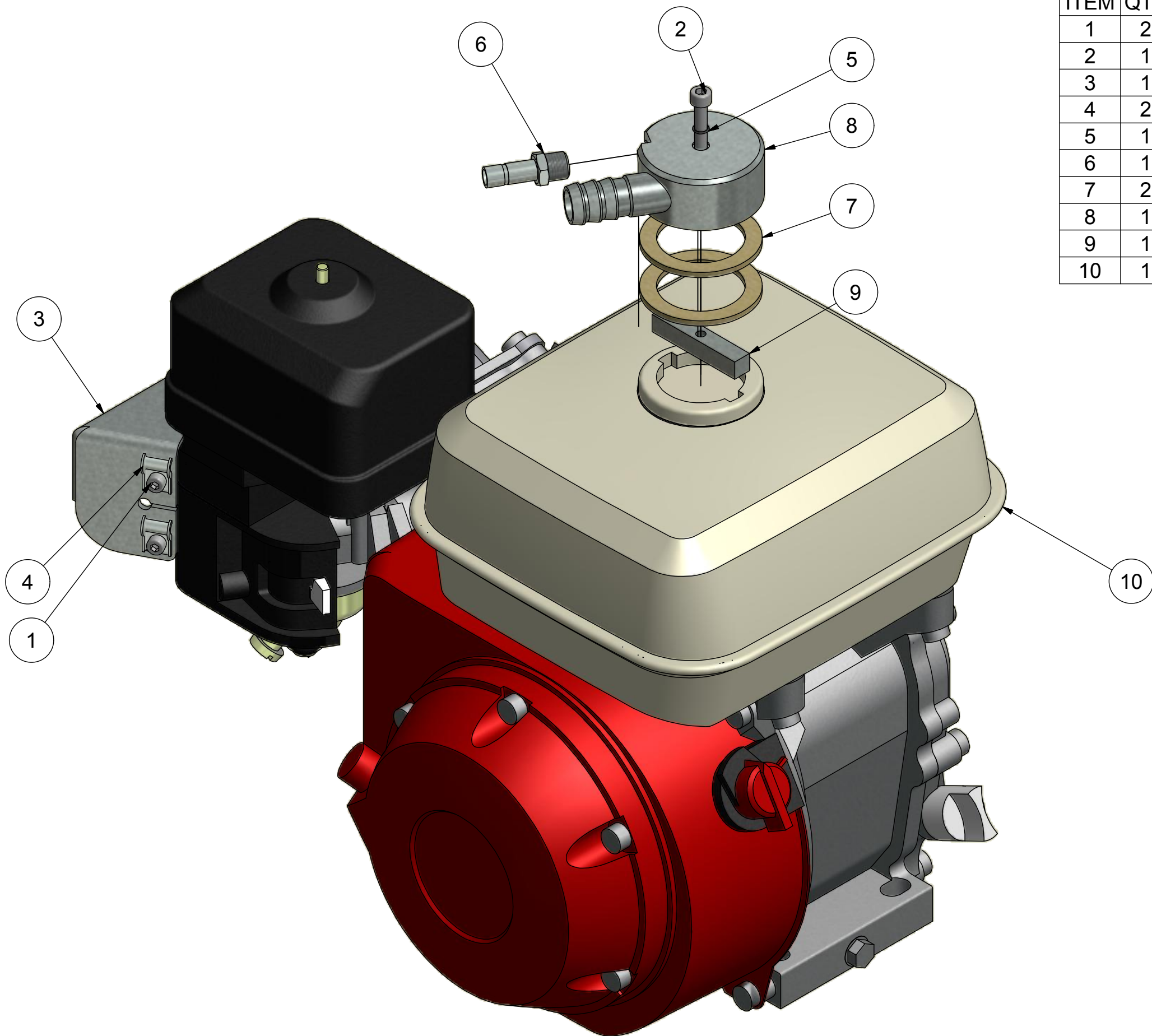
ITEM	QTY	PART NUMBER	DESCRIPTION
1	2	474733	Wheel F. LP190-8/8 Hf400 silve
2	2	423471	Wheel hub for omrw
3	10	479910	Wheel nut M12x1,5 NV22 60`FZB
4	1	422632	Sterring cable for Hydra combi
5	2	423545	Washer f/OMRW 45x20,5x4 FZB
6	1	422685	Second base assembly



Break all edges

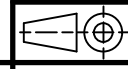
The document is strictly confidential and must not be accounted for copied or disclosed to any third person. HEDENSTED GRUPPEN A/S	 HEDENSTED GRUPPEN	Scale: 1:8	Not specified tolerance according to: DS/ISO 2768-m	Sheet size: A3
	Part No.: 422687	Material:	Surface properties: No	Sheet: 1 / 1
	Description 1: Third base assembly		Description 2: Hydra Combi Co2	

Revision:	Approved	Date:	Revision Description
1	HG	28-09-2015	Revision changed to numeric



PARTS LIST			
ITEM	QTY	PART NUMBER	DESCRIPTION
1	2	10205010	Hexagon cylinder head M5x10 FZB
2	1	10206050	Hexagon cylinder head M6x50 FZB
3	1	423415	Throttle-Choke brace
4	2	423419	Cable clamp
5	1	423444	O-ring OR6,00-1,00
6	1	423446	Reduction stem Ø10 x 1/4" pipe Metal
7	2	423627	Gasket for fueltank
8	1	43356	External fuel cap
9	1	43359	Tension brace
10	1	441705	HONDA GX200UT SXE5 electrical start

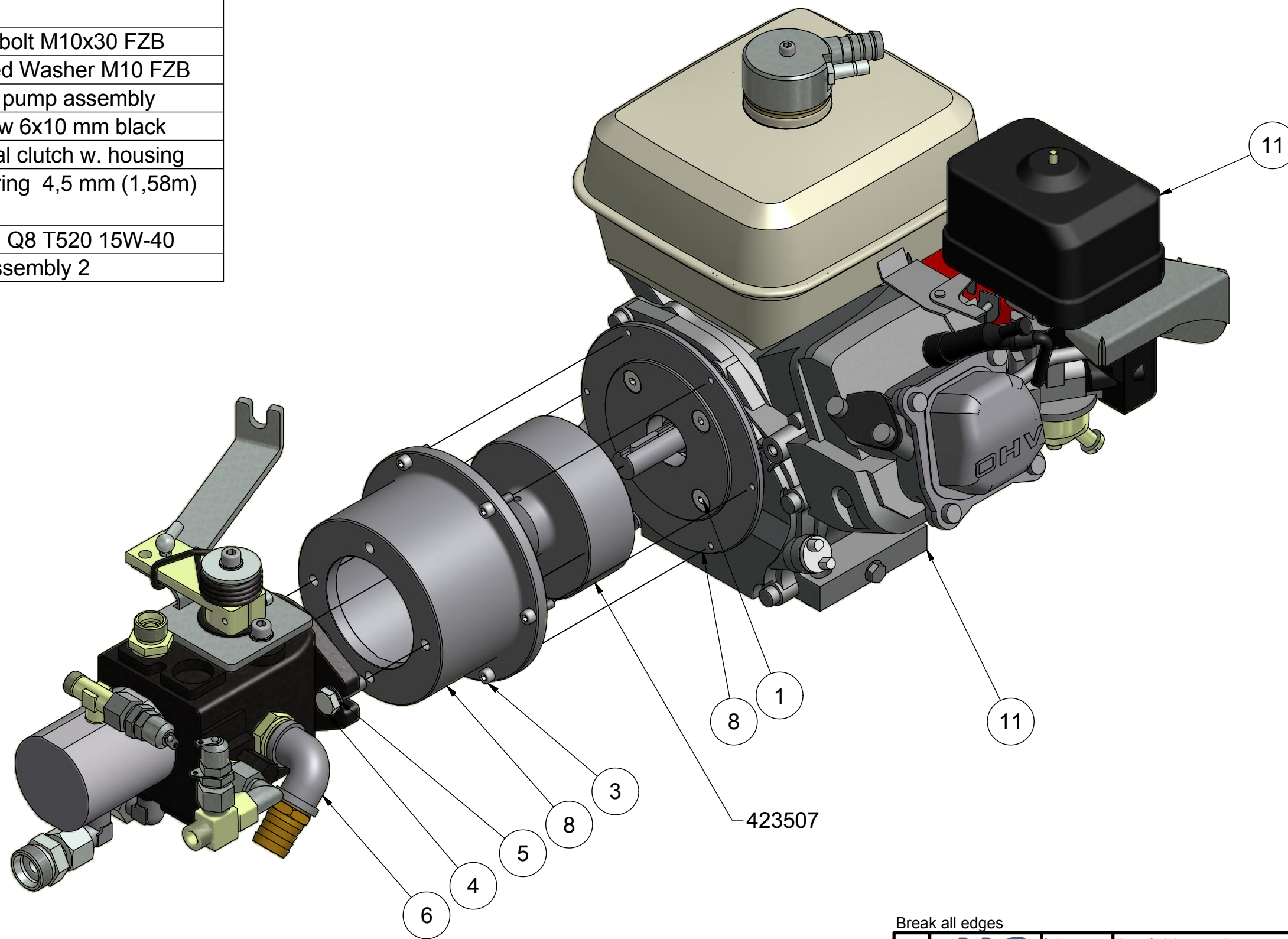
Break all edges

This document is strictly confidential and must not be used or disclosed to any third person. HEDENSTED GRUPPEN A/S	HG	Scale:	Not specified tolerance according to:	Sheet size:
	HEDENSTED GRUPPEN	1 : 2	DS/ISO 2768-m	A3
	Part No.:		Surface properties:	Sheet:
	422659		No	1 / 2
Description 1:		Material:		
Engine assembly 1				
Description 2:				


Revision:	Approved	Date:	Revision Description
1	HG	27-09-2015	Revision changed to numeric

PARTS LIST

ITEM	QTY	PART NUMBER	DESCRIPTION
1	4	20408025	Hexagon countersunk head M8x25 FZB
2	1	207946	Key 5x5x25mm DIN-6885A
3	6	10206020	Hexagon cylinder head M6x20 FZB
4	2	11410030	Hexagon bolt M10x30 FZB
5	2	82110000	Chamfered Washer M10 FZB
6	1	422672	Hydraulic pump assembly
7	1	10506010	Stop screw 6x10 mm black
8	1	423487	Centrifugal clutch w. housing
9	1,7 m	423470	Starter string 4,5 mm (1,58m)
10	0,6 l	476705	Engine oil Q8 T520 15W-40
11	1	422659	Engine assembly 2



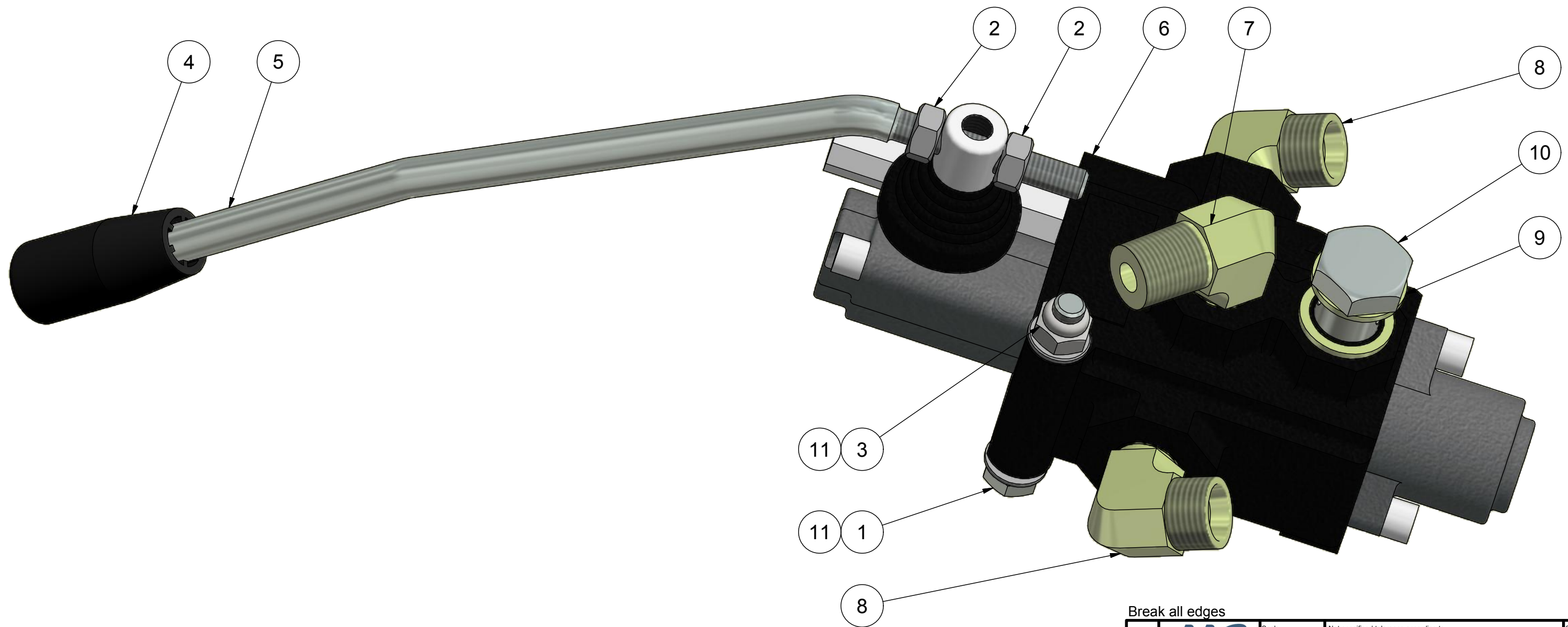
Break all edges

This document is strictly confidential and must not be copied or disclosed to any third person. HEDENSTED GRUPPEN A/S	 HEDENSTED GRUPPEN	Scale: 1:3	Not specified tolerance according to: DS/ISO 2768-m	Sheet size: A3
	Part No.: 422661	Material:	Surface properties: No	Sheet: 1 / 1
	Description 1: Engine assembly 2			
	Description 2: Hydra combi Co2			


Revision:	Approved	Date:	Revision Description
1	HG	28-09-2015	Revision changed to numeric

PARTS LIST

ITEM	QTY	PART NUMBER	DESCRIPTION
1	2	11408065	Hexagon bolt M8x65 FZB
2	2	1508000	Nut M8 FZB
3	2	17908000	Self-locking nut M8 FZB
4	1	423424	Handle, Ø21 cylindrical knob Ø10
5	1	423522	Handle for tilt valve
6	1	423526	Hydraulic tilt valve
7	1	477105	Elbow 3/8"t x 3/8"t (M/M)
8	2	477139	Elbow 3/8"t x Ø12L
9	2	477163	Bopnded seal washer 3/8"
10	1	477222	Banjo bolt 3/8"
11	4	82108000	Washer M8 FZB



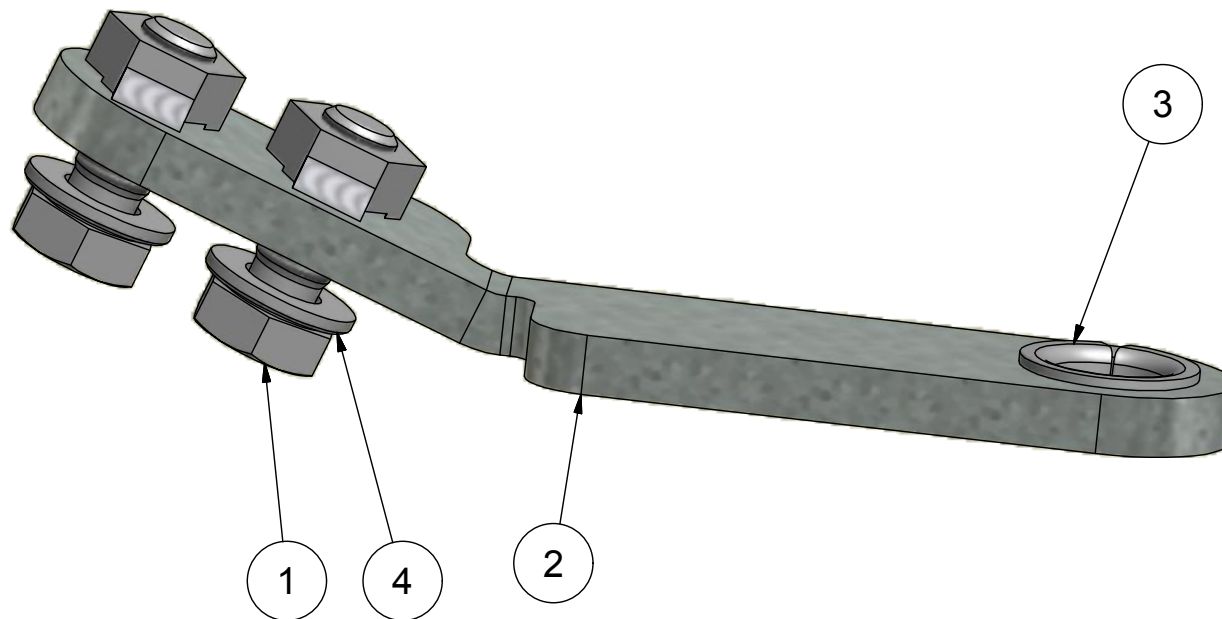
Break all edges

This document is strictly confidential and must not be disclosed to any third person. HEDENSTED GRUPPEN A/S	 HEDENSTED GRUPPEN	Scale: 1 : 1	Not specified tolerance according to: DS/ISO 2768-m	Sheet size: A3
	Part No.: 422663	Material:	Surface properties: No	Sheet: 1 / 2
	Description 1: Tilt valve assambly 2014			
	Description 2: Hydra combi + SS			



Revision:	Approved	Date:	Revision Description
1	HG	27-09-2015	Revision changed to numeric

Parts List

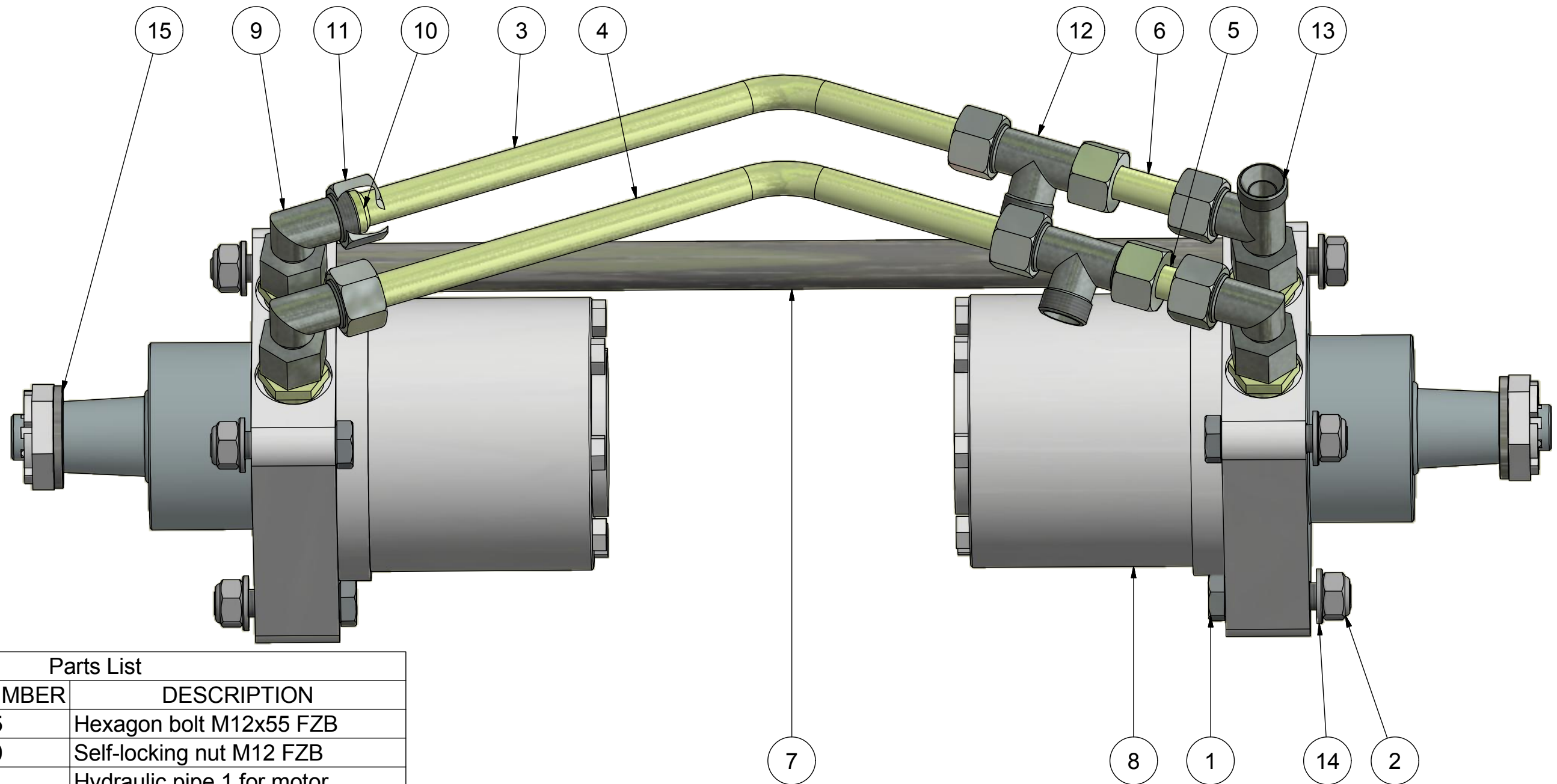
ITEM	QTY	PART NUMBER	DESCRIPTION
1	2	11408020	Hexagon bolt M8x20 FZB
2	1	422534	Bearing for handle
3	1	423423	Slide Bearing PAF 12070 P10
4	2	82108000	Chamfered Washer M8 FZB



Break all edges

This document is strictly confidential and must not be copied or disclosed to any third person. HEDENSTED GRUPPEN A/S	 HEDENSTED GRUPPEN	Scale: 2 : 1,5	Not specified tolerance according to: DS/ISO 2768-m	Sheet size: A4
			Surface properties:	Sheet: 1 / 1
	Part No.:	Material:		
	422664			
Description 1: Assembly bearing for handle				
Description 2:				

Revision:	Approved	Date:	Revision Description
1	HG	28-09-2015	Revision changed to numeric




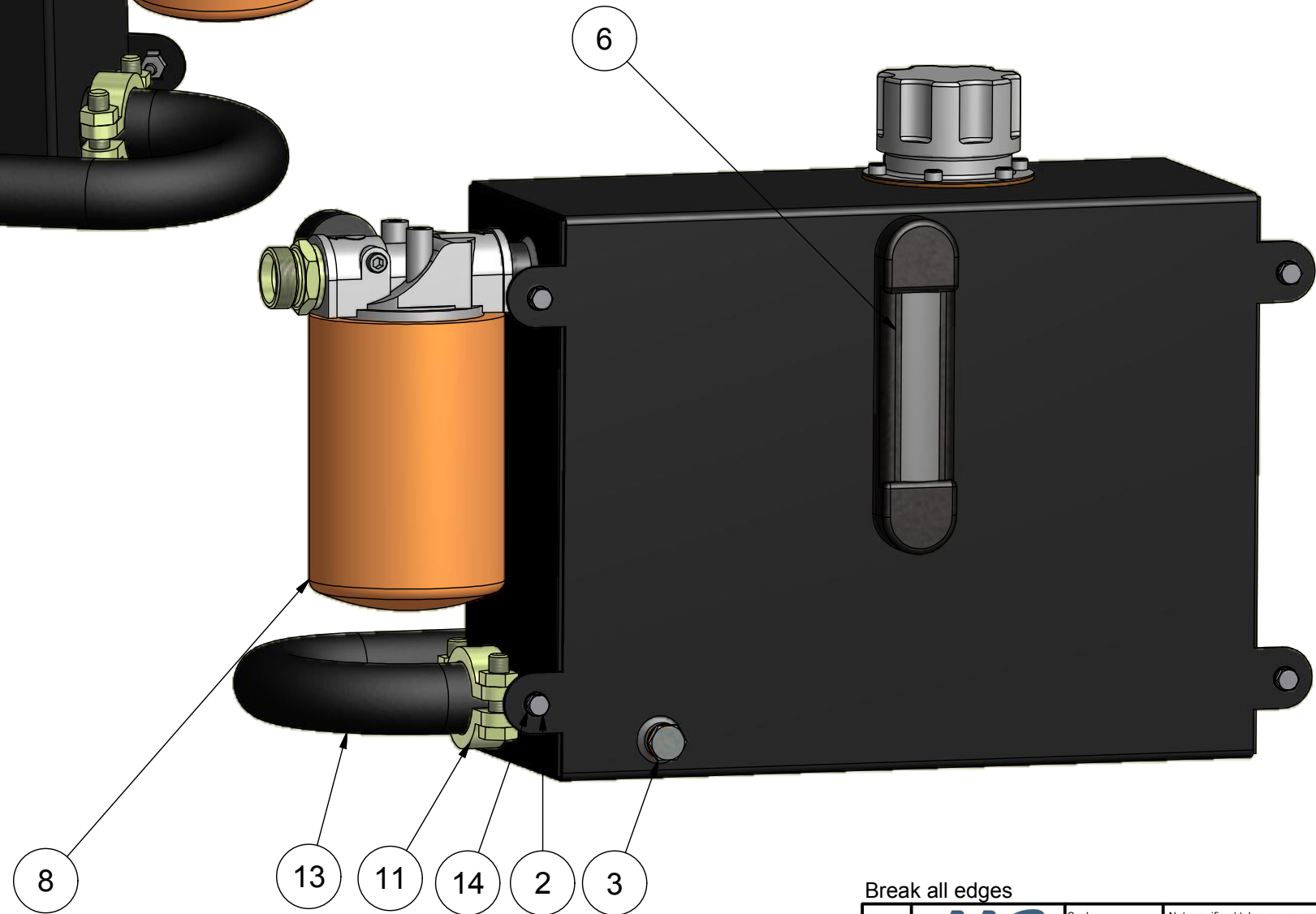
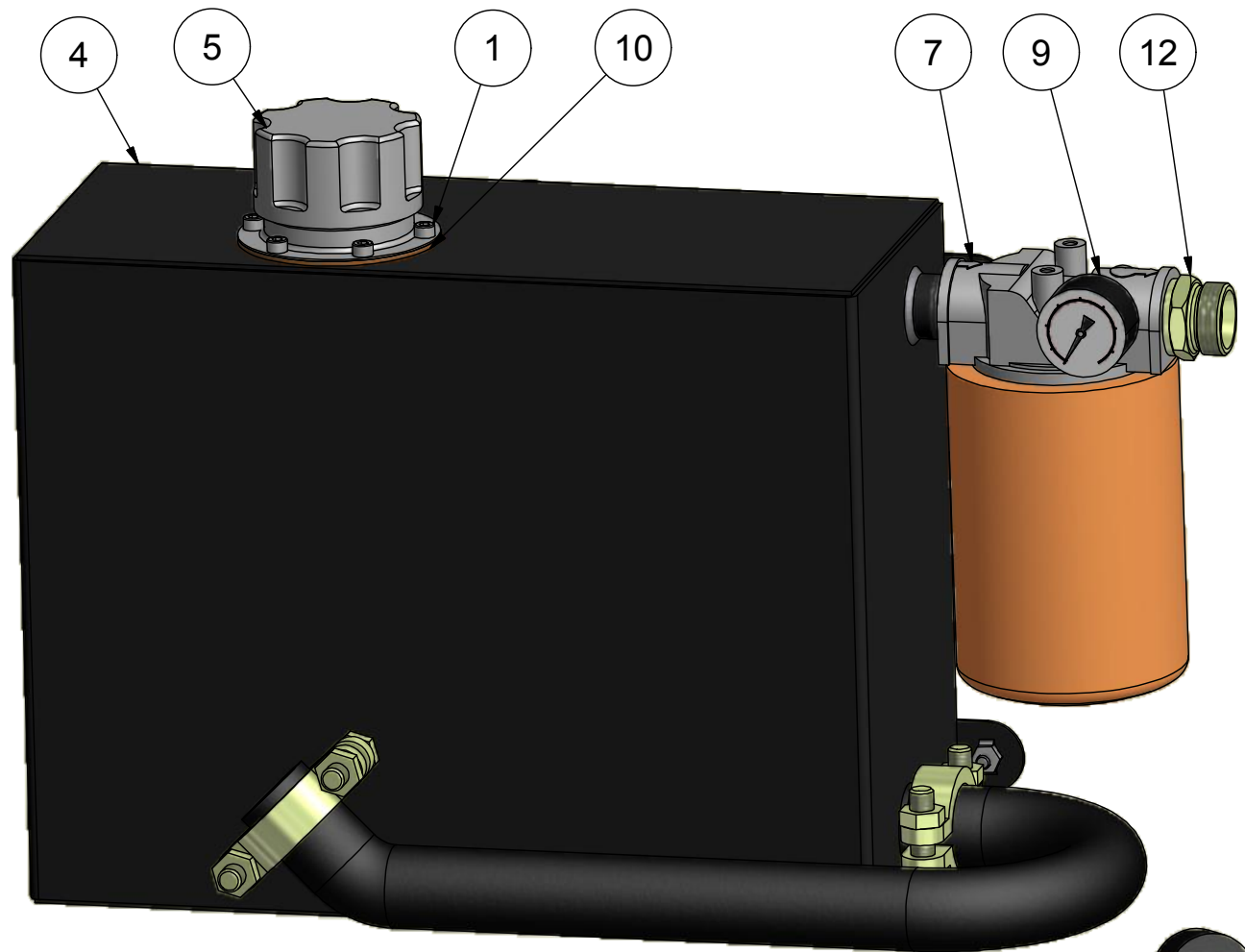
Parts List

ITEM	QTY	PART NUMBER	DESCRIPTION
1	6	11412055	Hexagon bolt M12x55 FZB
2	7	17912000	Self-locking nut M12 FZB
3	1	422624	Hydraulic pipe 1 for motor
4	1	422626	Hydraulic pipe 2 for motor
5	1	422628	Hydraulic pipe 3 for motor
6	1	422630	Hydraulic pipe 4 for motor
7	1	423442	Pipe for wheel motor
8	2	423519	Wheel motor 347ccm Eaton delta
9	3	424048	Elbow adjustable Ø15L w. o-ring Ø15L
10	8	424118	Cutting ring Ø15L
11	8	424122	Union Ø15L M22x1,5
12	2	424162	Tee 3x Ø15L
13	1	477072	Tee Adjustable Ø15L x Ø15L x Ø15L (M/F/F)
14	8	82112000	Washer M12 FZB
15	2	423545	Washer f/OMRW 45x20,5x4 FZB
17	4	477145	Straight connector w. gasket Ø15L 7/8"-14 UNF

Revision	Approved	Date	Revision Description
1	HG	28-09-2015	Revision changed to numeric

Break all edges

<small>The documents strictly confidential and must not be accounted by copied or disclosed to any third person.</small> HEDENSTED GRUPPEN A/S	 HEDENSTED GRUPPEN	Scale: 1 : 2	Not specified tolerance according to: DS/ISO 2768-m	Sheet size: A3
	Part No.: 422668	Material:	Surface properties:	Sheet: 1 / 2
Description 1: Wheel motor assembly				
Description 2:				




Parts List

ITEM	QTY	PART NUMBER	DESCRIPTION
1	6	10205010	Hexagon cylinder head M5x10 FZB
2	4	11406016	Hexagon bolt M6x16 FZB
3	1	216739	Plug male 1/4"
4	1	422516	Hydraulic tank
5	1	423459	Påfyldning HB70
6	1	423460	Oil level indicator
7	1	423556	Filter head
8	1	423558	MP Oil filter
9	1	423810	Gauge -1+2 bar 1/8" Ø40
10	1	423918	Gasket for filler neck
11	2	474206	Hose clamp Ø32-40
12	1	477126	Male stud 22L 3/4" DM
13	1	477422	Hydraulic hose 10. 1" x530mm ¹
14	4	82106000	Chamfered Washer M6 FZB

REVISION HISTORY

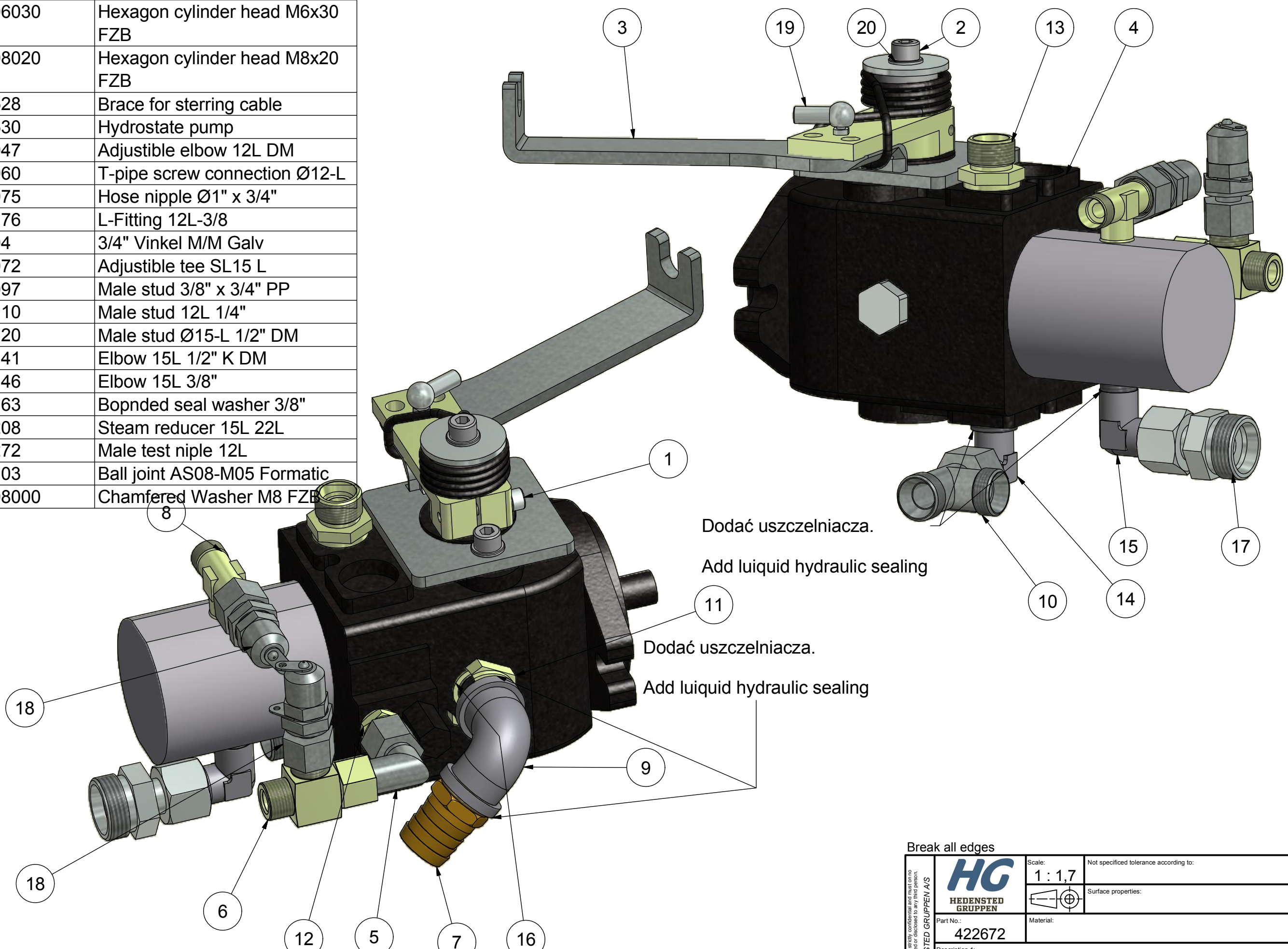
REV	DESCRIPTION	DATE	APPROVED
A	Made	05-01-2011	KC
1	Revision changed to numeric	21-02-2012	KL

Break all edges

<small>The documents are confidential and must not be accounted for copied or disclosed to any third person.</small> HEDENSTED GRUPPEN A/S	 HEDENSTED GRUPPEN	Scale: 1 : 3	Not specified tolerance according to: DS/ISO 2768-m	Sheet size: A3
	Part No.: 422670	Material:	Surface properties:	Sheet: 1 / 2
Description 1: Hydraulic tank assembly				
Description 2:				

Parts List

ITEM	QTY	PART NUMBER	DESCRIPTION
1	1	10206030	Hexagon cylinder head M6x30 FZB
2	2	10208020	Hexagon cylinder head M8x20 FZB
3	1	423528	Brace for steering cable
4	1	423530	Hydrostate pump
5	1	424047	Adjustable elbow 12L DM
6	1	424060	T-pipe screw connection Ø12-L
7	1	424075	Hose nipple Ø1" x 3/4"
8	1	424176	L-Fitting 12L-3/8
9	1	47104	3/4" Vinkel M/M Galv
10	1	477072	Adjustable tee SL15 L
11	1	477097	Male stud 3/8" x 3/4" PP
12	1	477110	Male stud 12L 1/4"
13	1	477120	Male stud Ø15-L 1/2" DM
14	1	477141	Elbow 15L 1/2" K DM
15	1	477146	Elbow 15L 3/8"
16	1	477163	Bopnded seal washer 3/8"
17	1	477208	Steam reducer 15L 22L
18	2	477272	Male test niple 12L
19	1	489103	Ball joint AS08-M05 Formatic
20	2	82108000	Chamfered Washer M8 FZB



Dodać uszczelniaacza.

Add luiquid hydraulic sealing

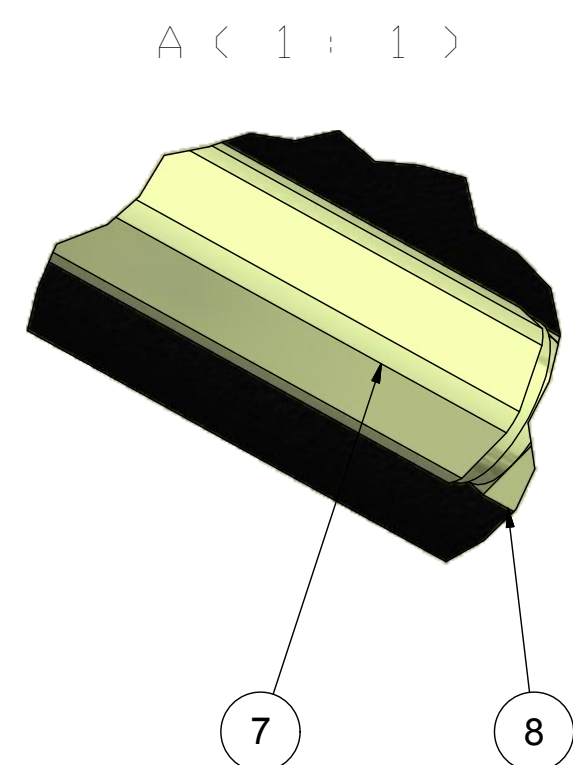
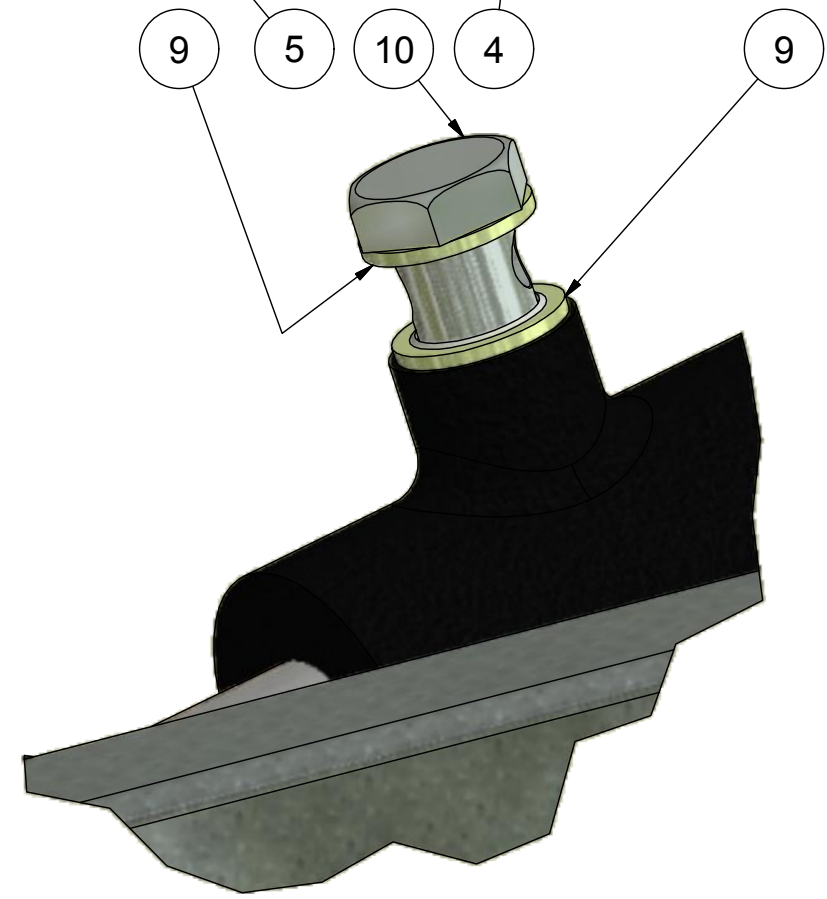
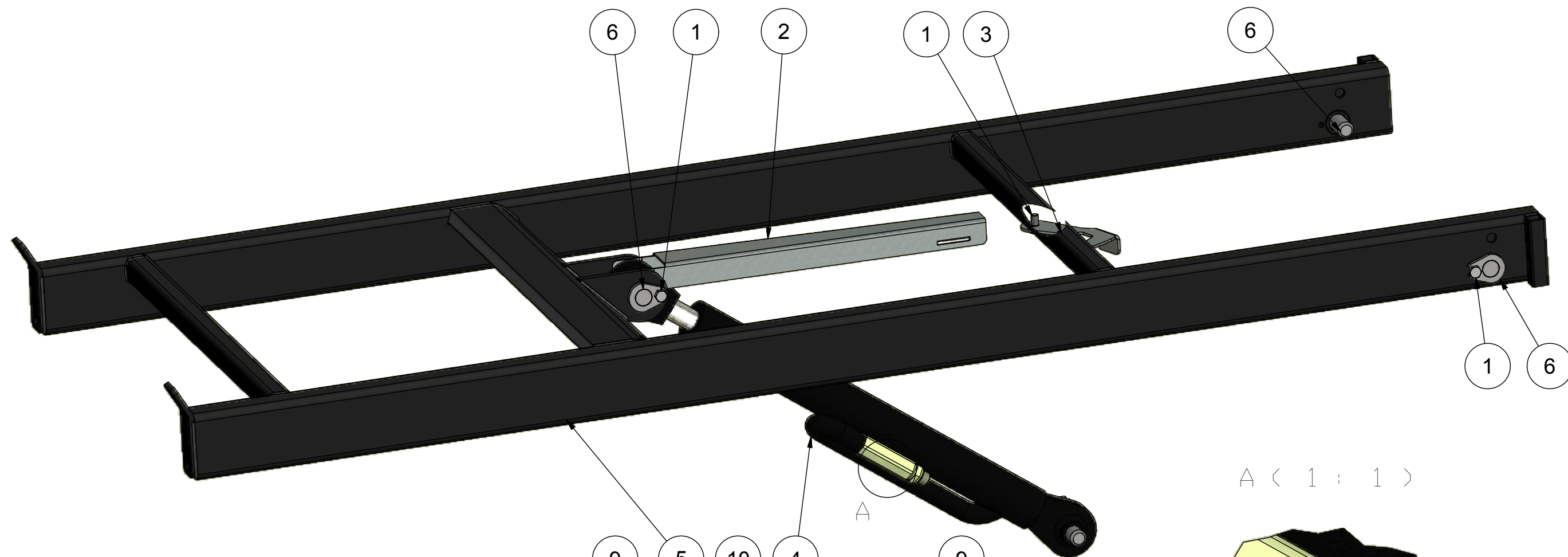
Dodać uszczelniaacza.

Add luiquid hydraulic sealing

Break all edges

The documents strictly confidential and must not be accounted by copied or disclosed to any third person. HEDENSTED GRUPPEN A/S		Scale: 1 : 1,7	Not specified tolerance according to:	Sheet size: A3
	HEDENSTED GRUPPEN		Surface properties:	Sheet: 1 / 2
	Part No.:	Material:		
	422672			
Description 1: Hydraulic pump assembly				
Description 2:				

Revision:	Approved	Date:	Revision Description
1	HG	28-09-2015	Revision changed to numeric



A < 1 : 1 >

Parts List

ITEM	QTY	PART NUMBER	DESCRIPTION
1	5	11408016	Hexagon bolt M8x16 FZB
2	1	41468	Stand part 11
3	1	41470	Stand part 12
4	1	422502	Cylinder for Hydra Combi
5	1	422532	Stand
6	4	423409	Lock pin for cylinder
7	1	423462	Hose leak valve
8	1	477100	Straight connector 3/8" x 3/8"
9	3	477163	Bopnded seal washer 3/8"
10	1	477222	Banjo bolt 3/8"

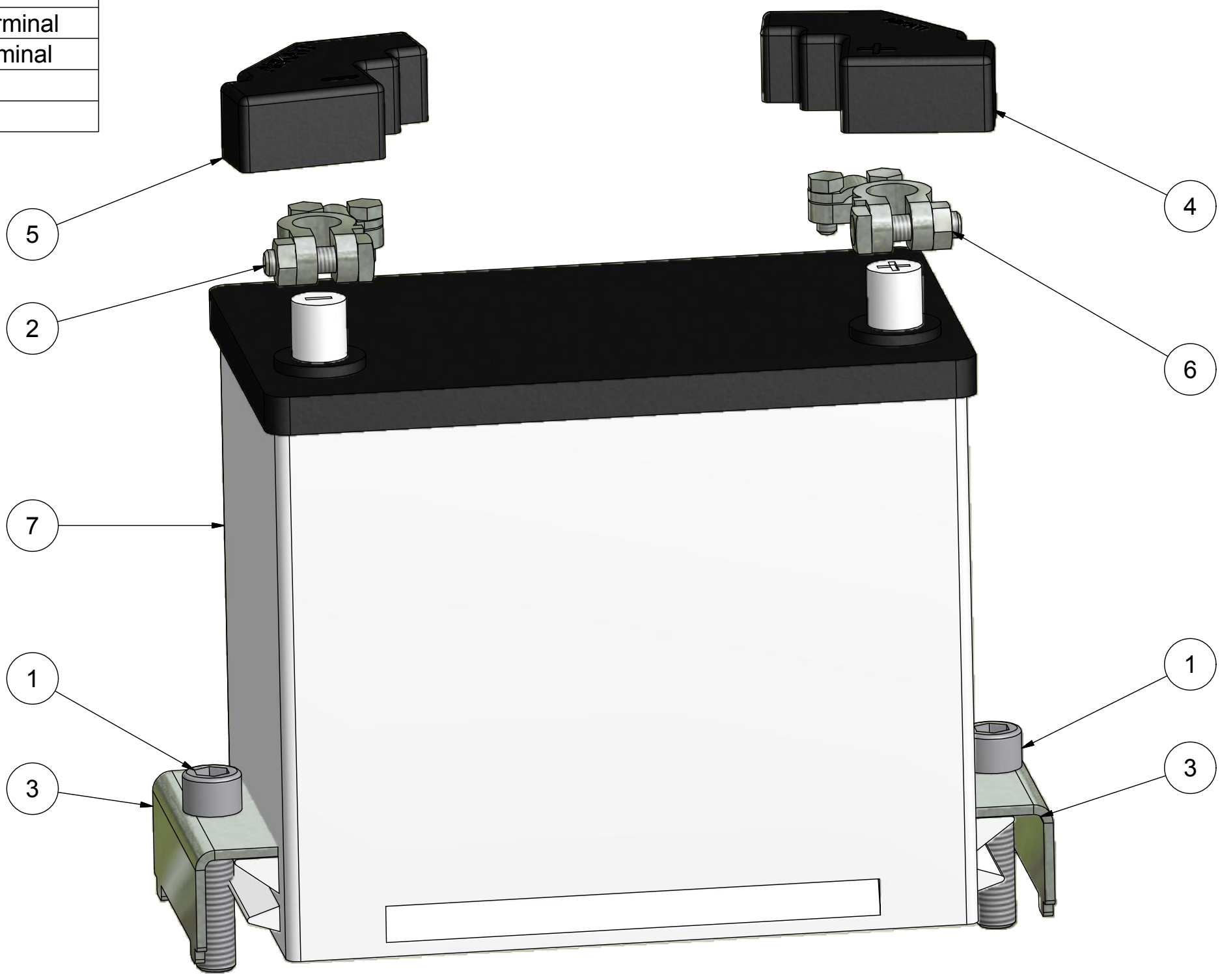
Revision:	Approved	Date:	Revision Description
1	HG	28-09-2015	Revision changed to numeric

Break all edges


<small>The documents strictly confidential and must not be accounted by copied or disclosed to any third person.</small> HEDENSTED GRUPPEN A/S	 HEDENSTED GRUPPEN	Scale: 1 : 5	Not specified tolerance according to: DS/ISO 2768-m	Sheet size: A3
	Part No.: 422674	Material:	Surface properties:	Sheet: 1 / 1
Description 1: Stand assembly				
Description 2:				

Parts List

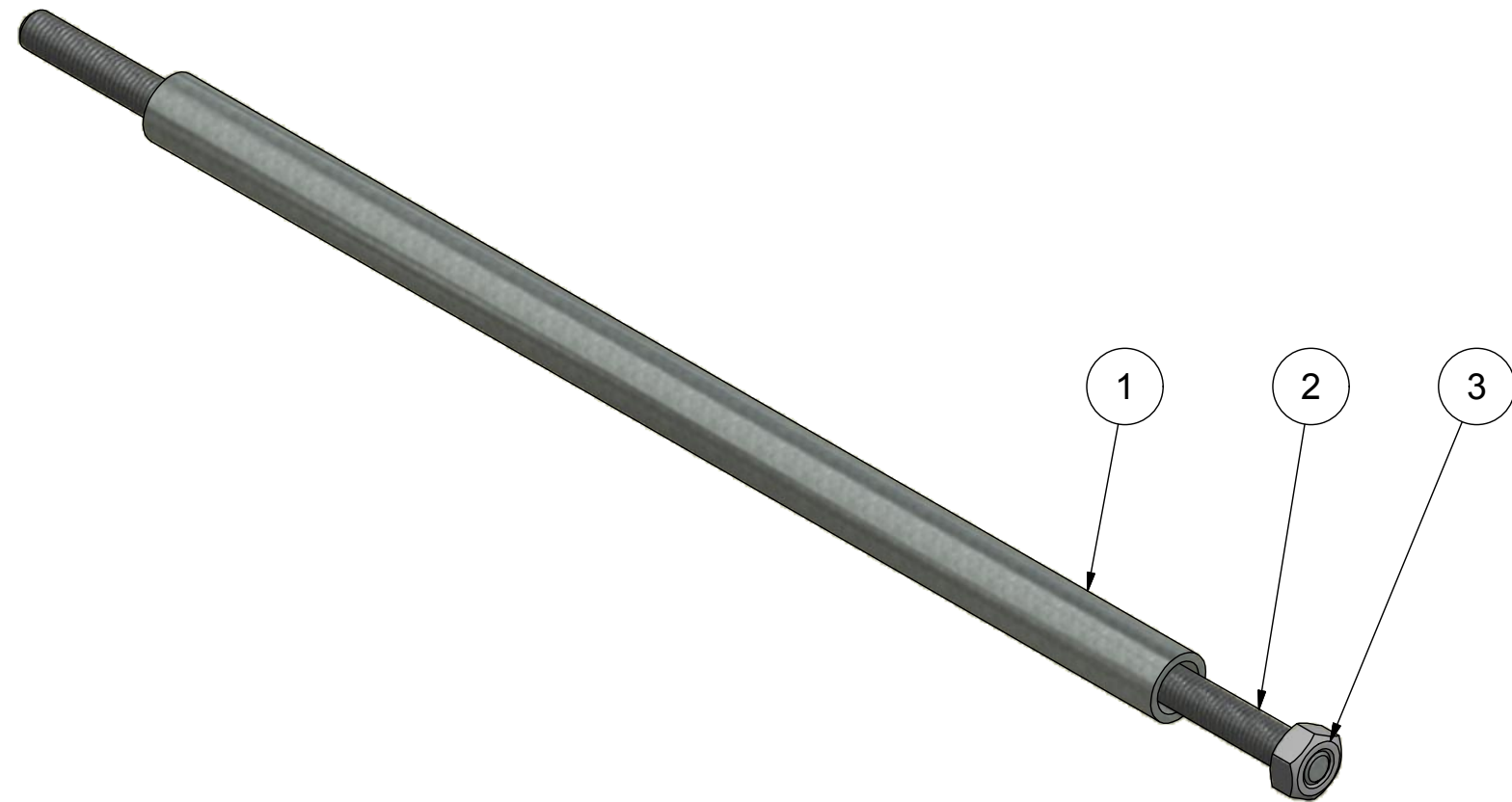
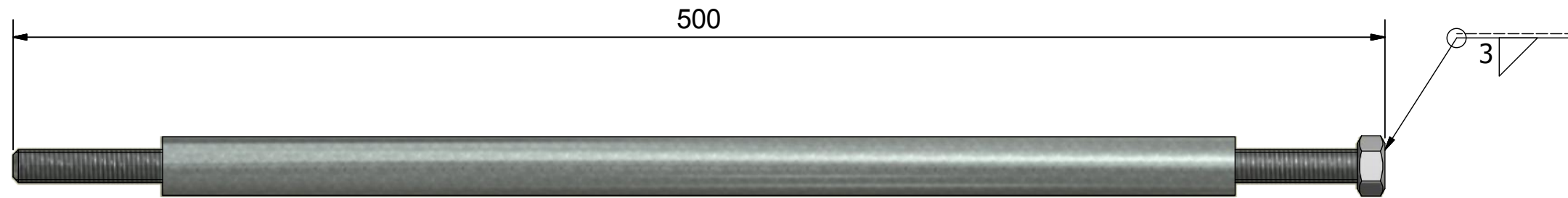
ITEM	QTY	PART NUMBER	DESCRIPTION
1	2	10212050	Hexagon cylinder head M12x50 FZB
2	1	421419	Negative terminal
3	2	423467	Brace for battery
4	1	423496	Cover for positive terminal
5	1	423497	Cover for gorund terminal
6	1	423529	Positive terminal
7	1	476010	Battery



Break all edges

The document is strictly confidential and must not be account be copied or disclosed to any third person. HEDENSTED GRUPPEN A/S	 HEDENSTED GRUPPEN	Scale: 1 : 1,5	Not specified tolerance according to: DS/ISO 2768-m	Sheet size: A3
	Part No.: 422676	Material:	Surface properties:	Sheet: 1 / 1
Description 1: Battery assembly				
Description 2:				

Revision:	Approved	Date:	Revision Description
1	HG	28-09-2015	Revision changed to numeric




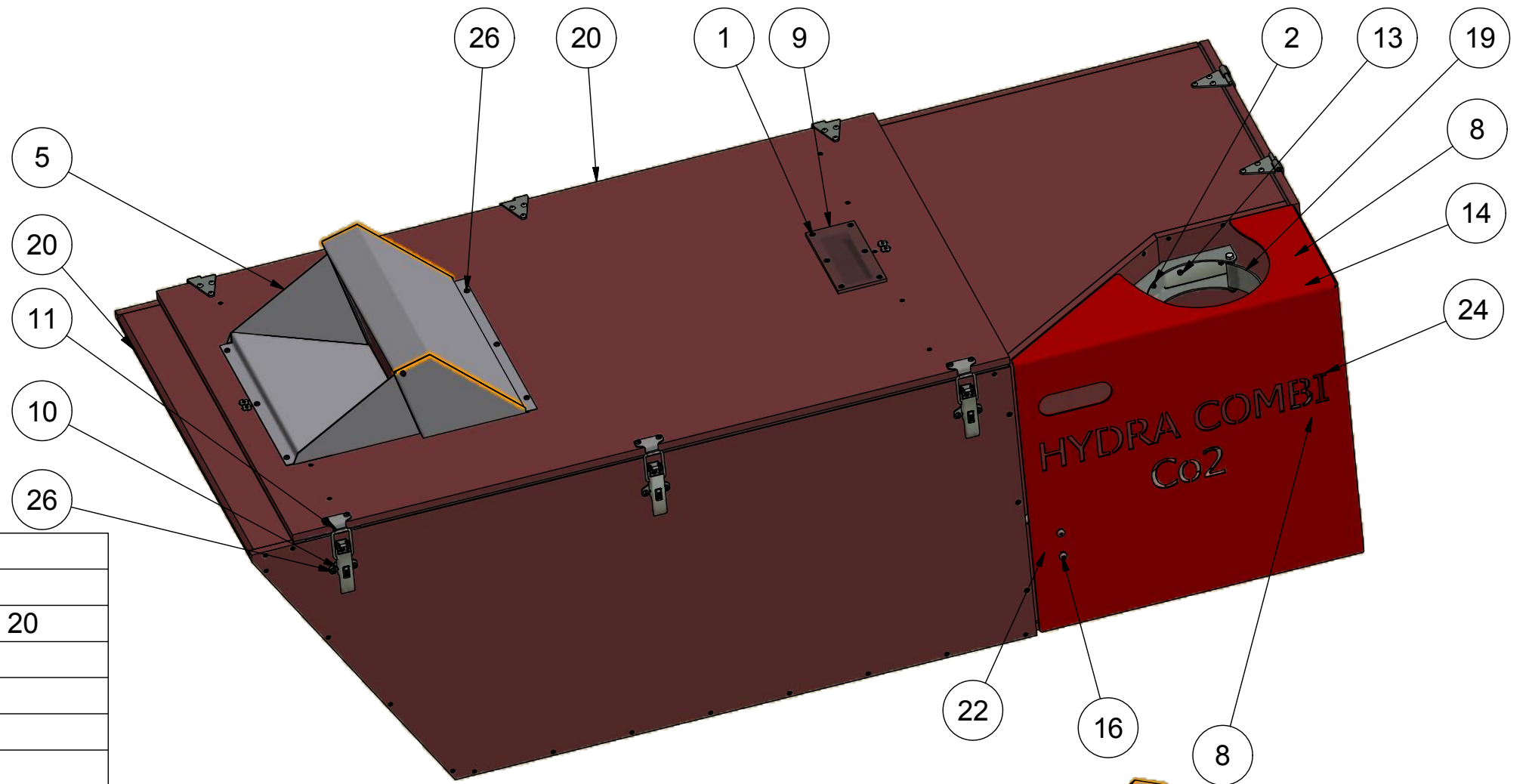
Parts List

ITEM	QTY	PART NUMBER	DESCRIPTION
1	1	43236	Spacer for wheel motor
2	1	43238	Thread rod for spacer
3	1	1512000	Nut M12 FZB

Revision:	Approved	Date:	Revision Description
1	HG	28-09-2015	Revision changed to numeric

Break all edges

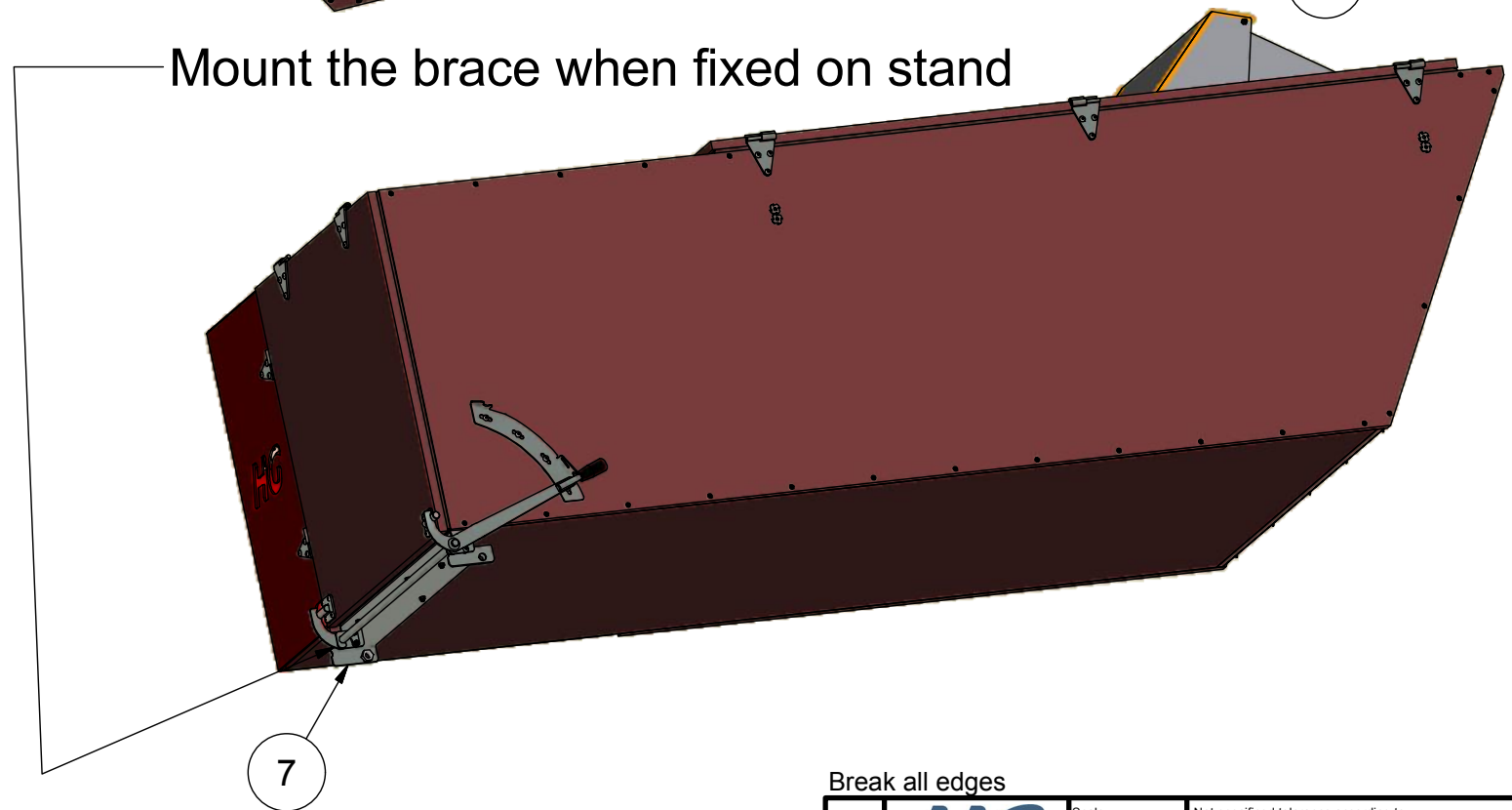
The document is strictly confidential and must not be disclosed to any third person. HEDENSTED GRUPPEN A/S	 HEDENSTED GRUPPEN	Scale: 1 : 2	Not specified tolerance according to: DS/ISO 2768-m	Sheet size: A3
	Part No.: 423442	Material:	Surface properties: Zinc chromated	Sheet: 1 / 1
	Description 1: Pipe for wheel motor			
	Description 2:			




PARTS LIST

ITEM	QTY	PART NUMBER	DESCRIPTION
1	6	140875	Wood screw countersunk head 5 x 20
2	8	1505000	Nut M5 FZB
3	10	17905000	Self-locking nut M5 FZB
4	12	19205000	Drive in nut M5 FZB
5	1	280160	HG Mail box complete
6	1	31009	Warning sign. Crushing
7	1	422500	Brace for stand
8	2	422520	Hinge left
9	1	422596	Vindow for killing box
10	3	422604	Latch clamp with lock
11	3	422606	Brace for latch clamp
12	1	423424	Handle, Ø21 cylindrical knob Ø10
13	14	64405025	Cup head square neck bolt M5x25 FZB
14	16	76005012	Buttonhead bolt M5x12 FZB
15	12	76005020	Buttonhead bolt M5x20 FZB
16	2	76008016	Buttonhead bolt M8x16 FZB
17	1	M100136	Angle for clamp
18	2	M100139	Clamp for lid
19	2	M100142	Clamp for Co2 bottle 20L
20	1	M100147	Base assembly 2 Co2 box
21	1	M100150	Cover plate
22	1	M100152	Lock for Co2 plate
23	1	M100153	Tension brace
24	1	M100155	Cover for Co2 bottle
25	2	M10249	Handle part 2
26	22	M102639	Wood screw pan head 5 x 16 Stainless

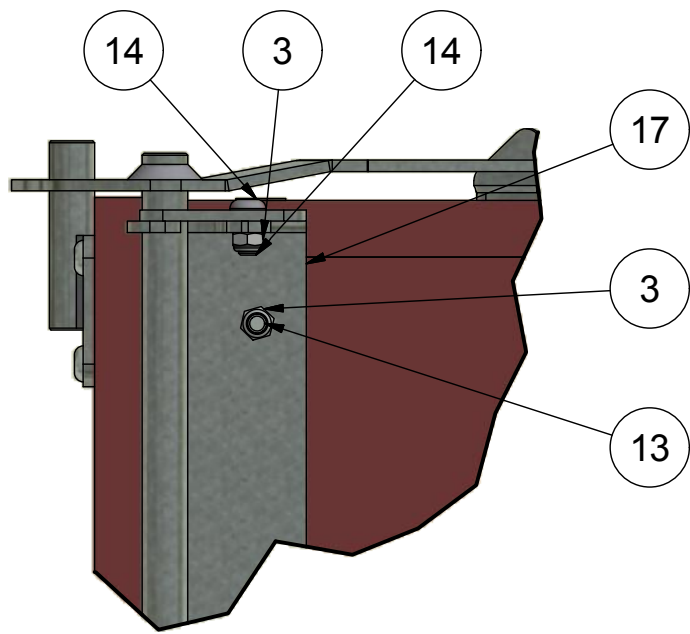
Mount the brace when fixed on stand



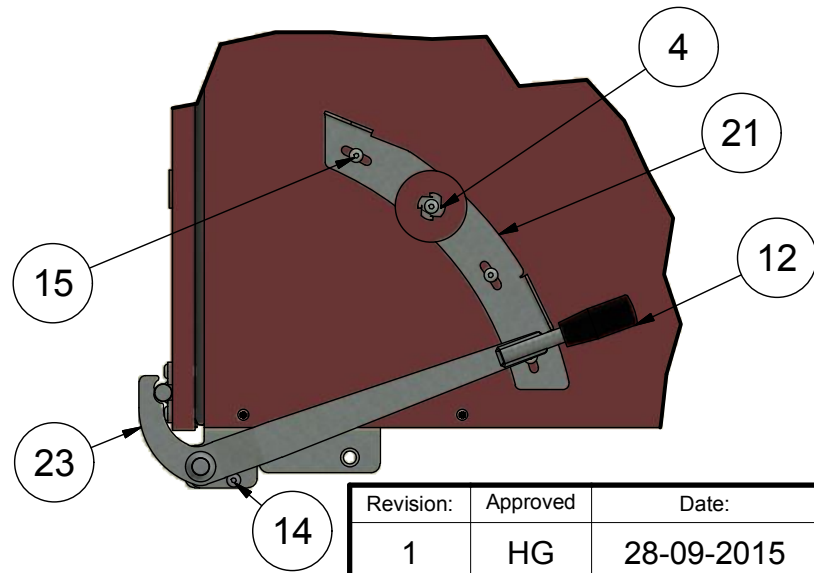
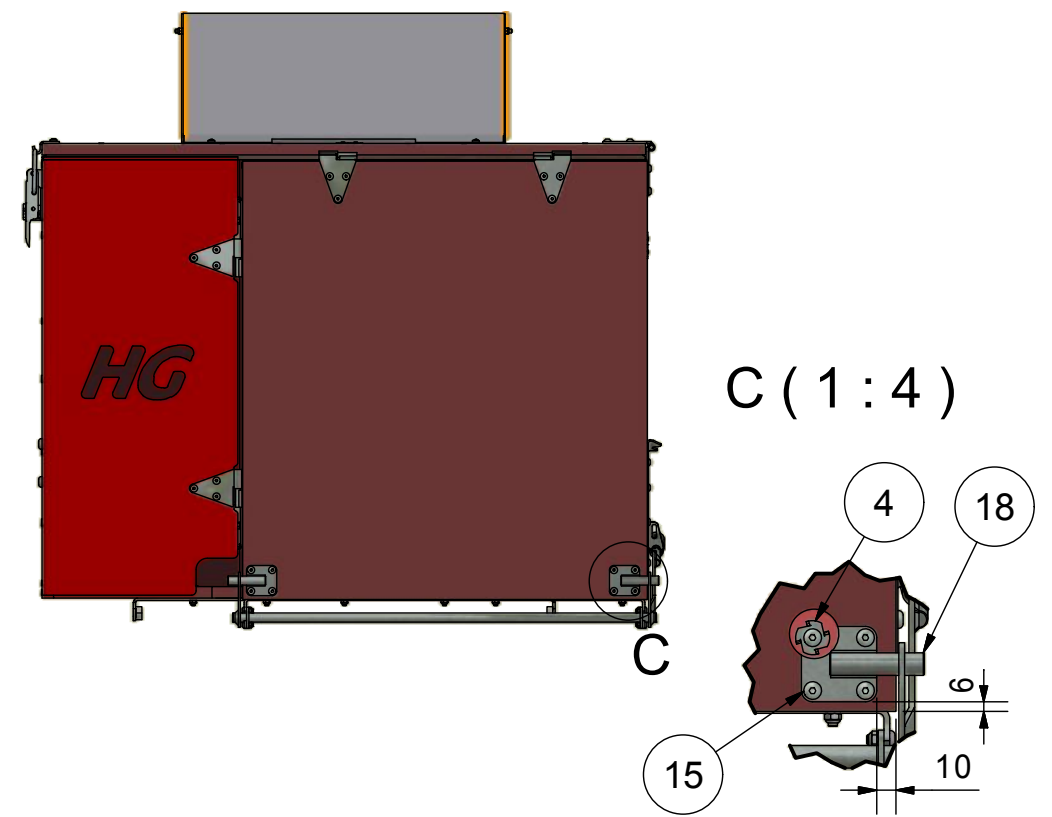
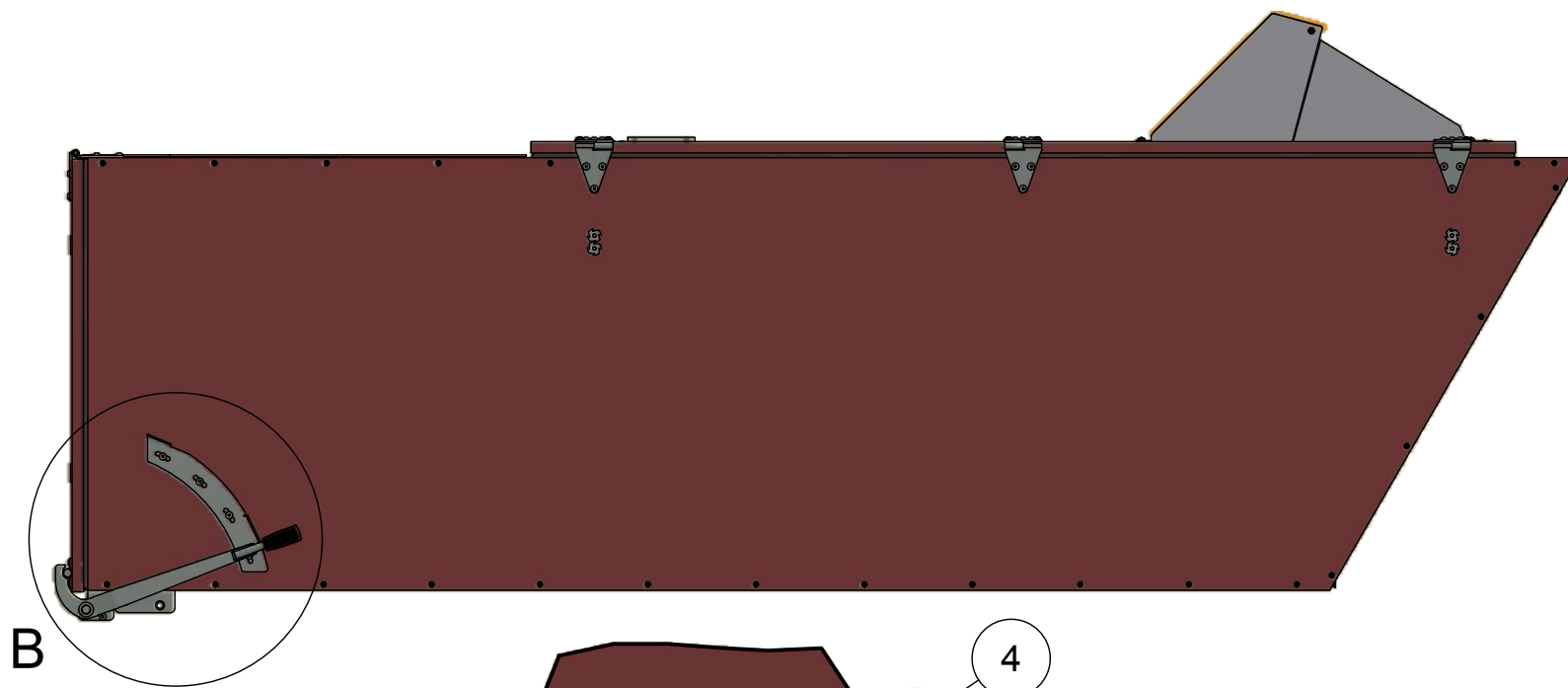
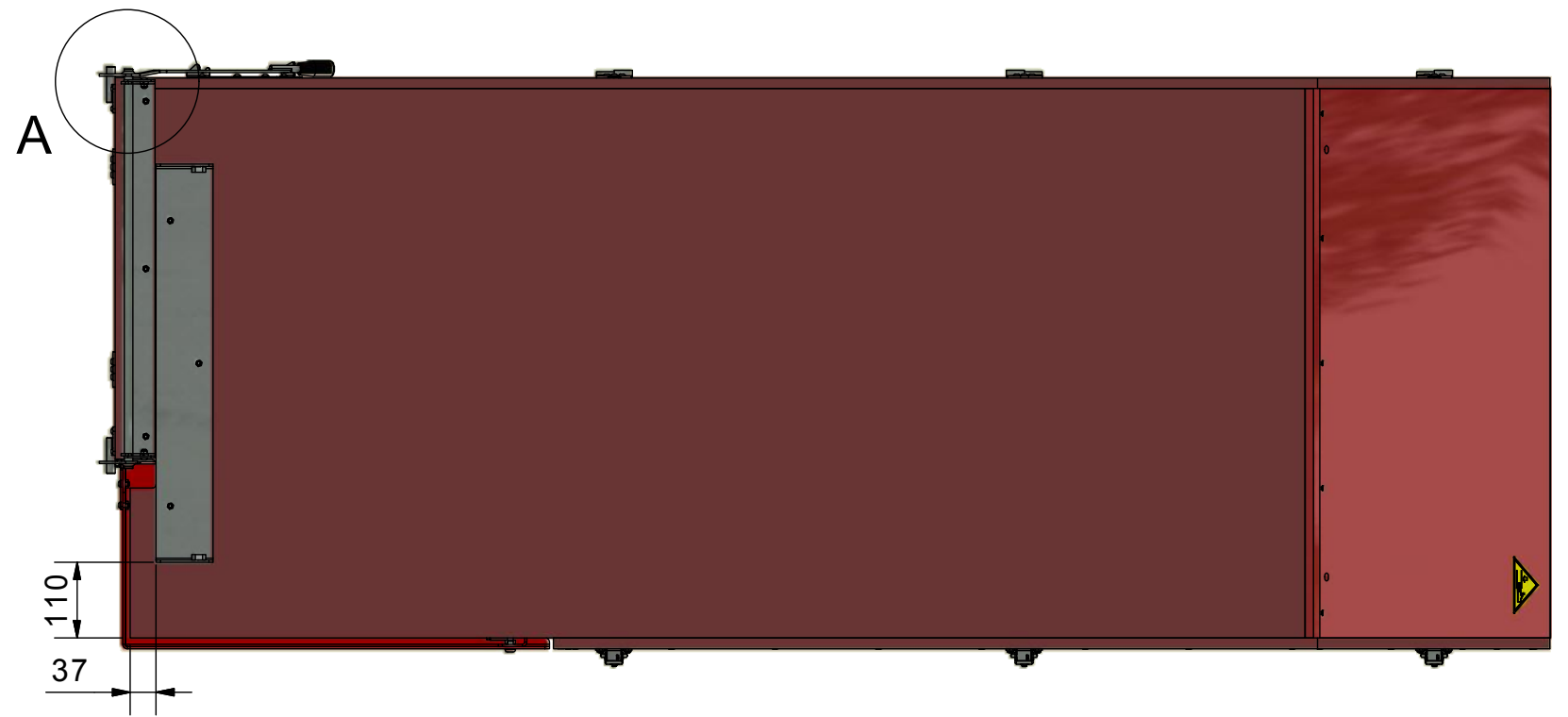
Break all edges

This document is strictly confidential and must not be disclosed to any third person. HEDENSTED GRUPPEN A/S	 HEDENSTED GRUPPEN	Scale: 1 : 10	Not specified tolerance according to: DS/ISO 2768-m	Sheet size: A3
	Part No.: M100130	Material:	Surface properties: No	Sheet: 1 / 2
	Description 1: Killing box for Co2			
	Description 2:			

Revision:	Approved	Date:	Revision Description
1	HG	28-09-2015	Revision changed to numeric



B (1:5)



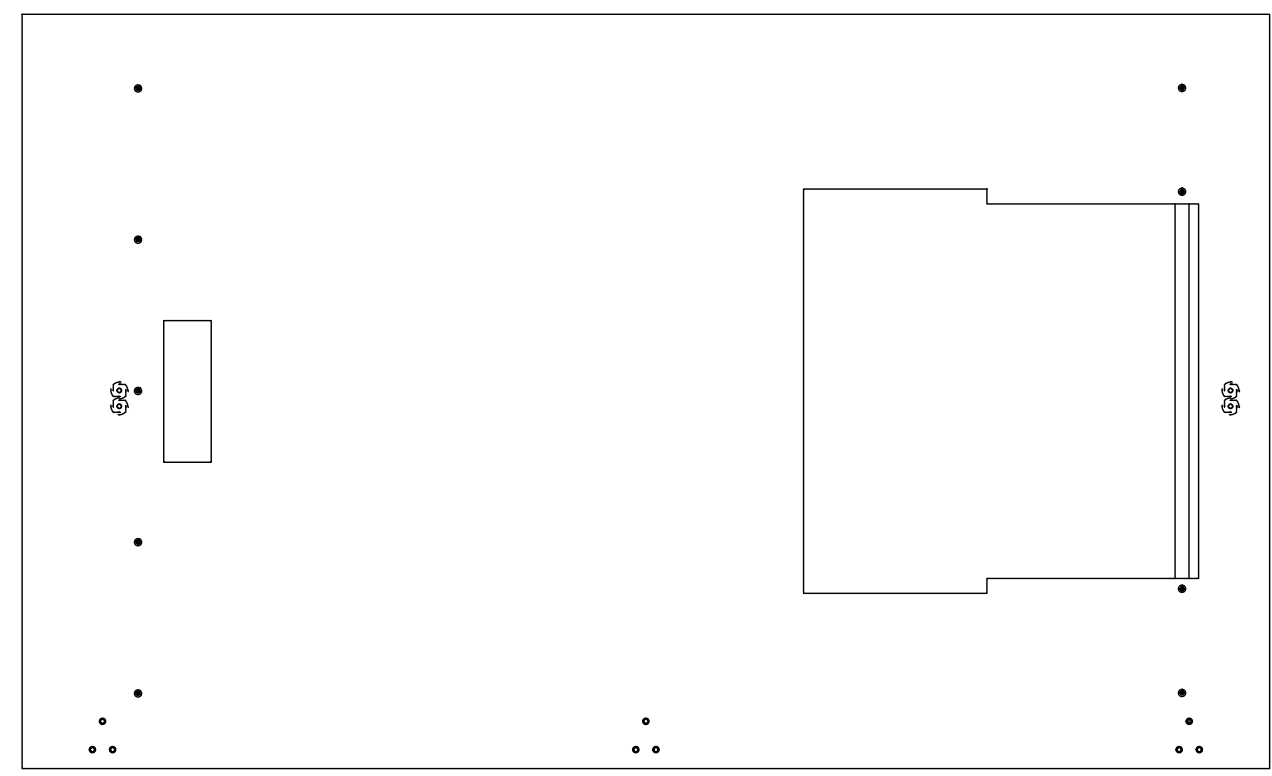
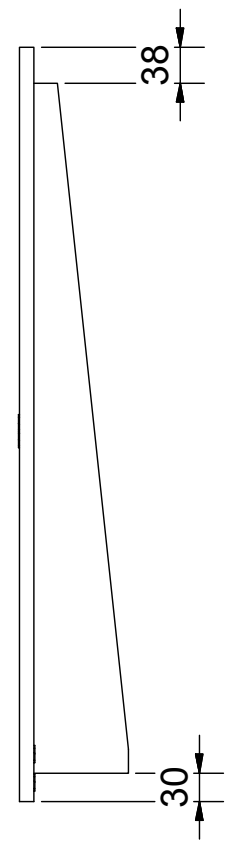
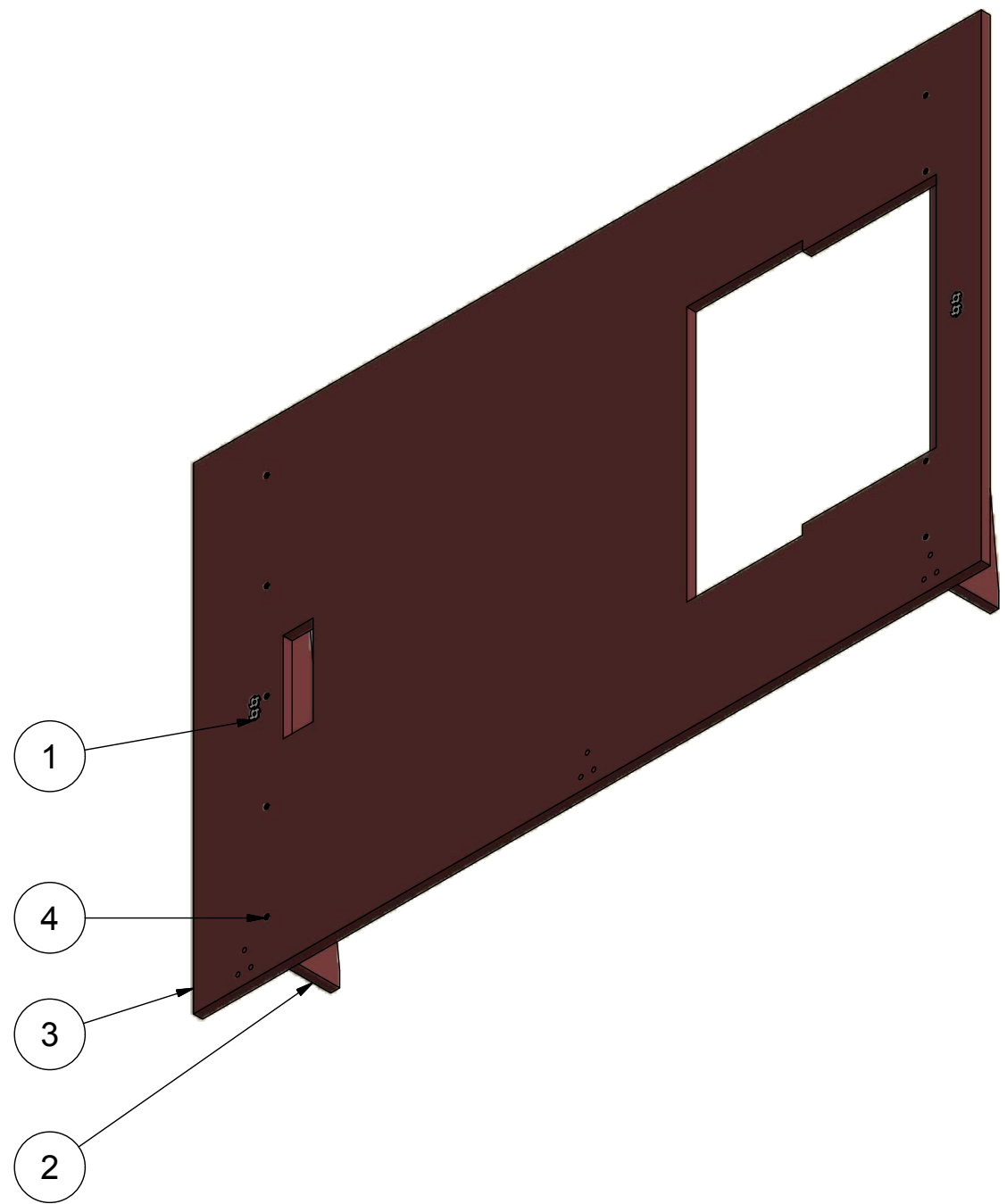
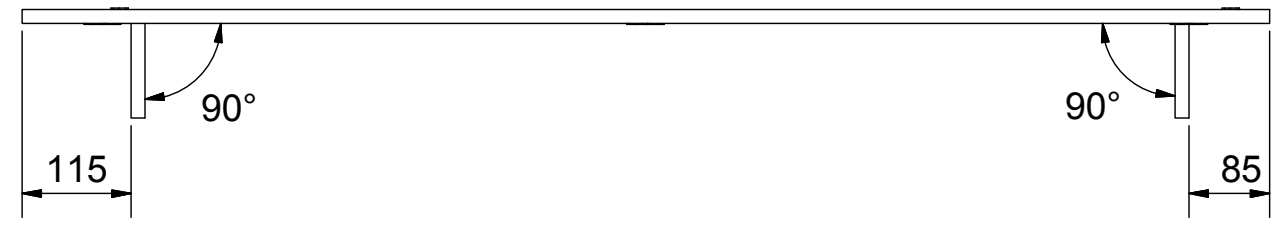
Break all edges

<small>The documents strictly confidential and must not be accounted by copied or disclosed to any third person.</small> HEDENSTED GRUPPEN A/S	 HEDENSTED GRUPPEN	Scale: 1 : 10	Not specified tolerance according to: DS/ISO 2768-m	Sheet size: A3
	Part No.: M100130	Material:	 Surface properties: No	Sheet: 2 / 2
Description 1: Killing box for Co2				
Description 2:				


Revision:	Approved	Date:	Revision Description
1	HG	28-09-2015	Revision changed to numeric

PARTS LIST

ITEM	QTY	PART NUMBER	DESCRIPTION
1	13	19205000	Drive in nut M5 FZB
2	2	41447	Box part 7
3	1	M10235	Top lid for Co2 box
4	13	M202005	Wood screw countersunk head 3,5 x 35



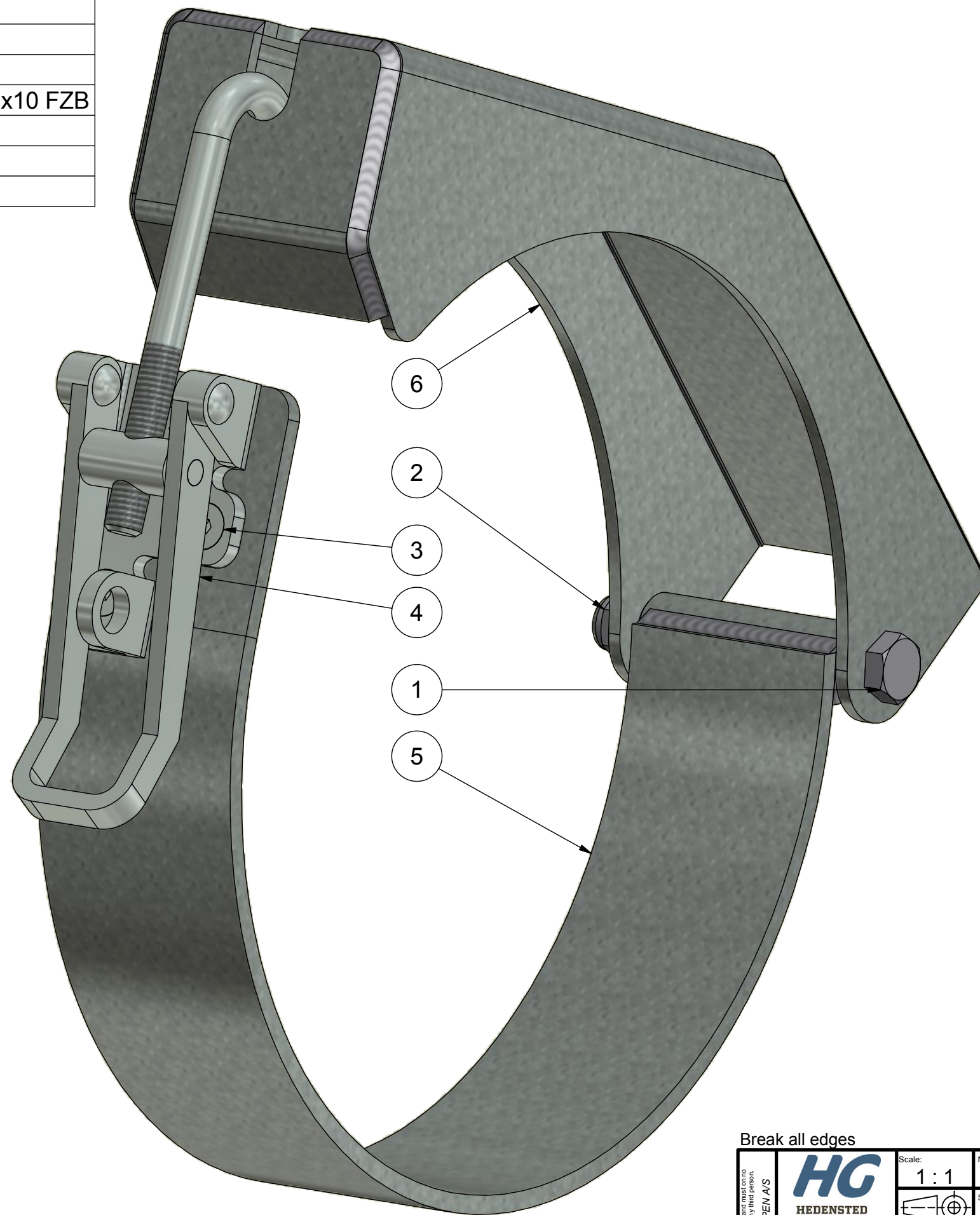
Break all edges

The document is strictly confidential and must not be accounted for copied or disclosed to any third person. HEDENSTED GRUPPEN A/S	 HEDENSTED GRUPPEN	Scale: 1 : 8	Not specified tolerance according to: DS/ISO 2768-m	Sheet size: A3
	Part No.: M100135	Material:	Surface properties: No	Sheet: 1 / 2
Description 1: Lid assembly				
Description 2:				



Revision:	Approved	Date:	Revision Description
1	HG	28-09-2015	Revision changed to numeric

PARTS LIST

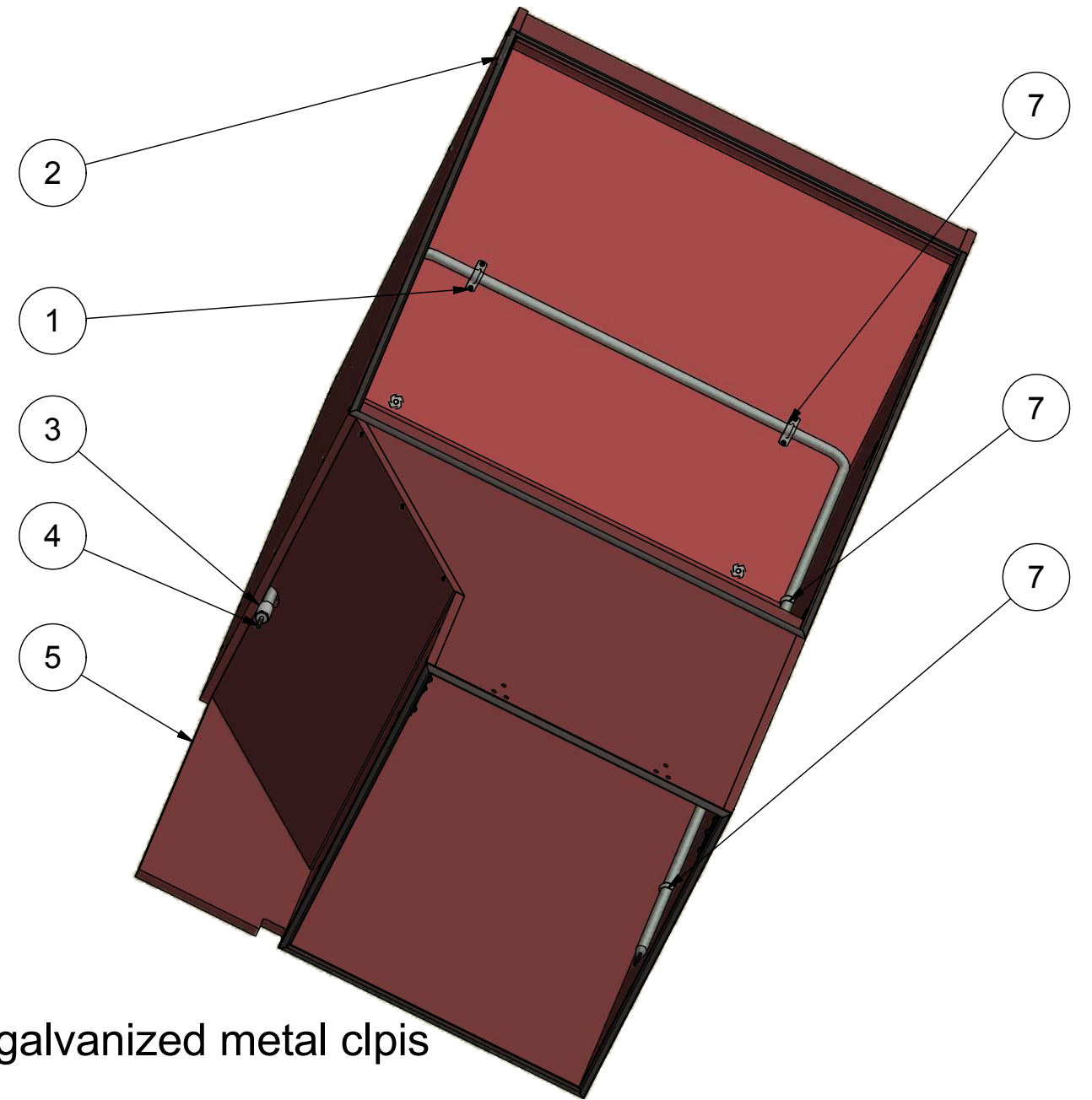
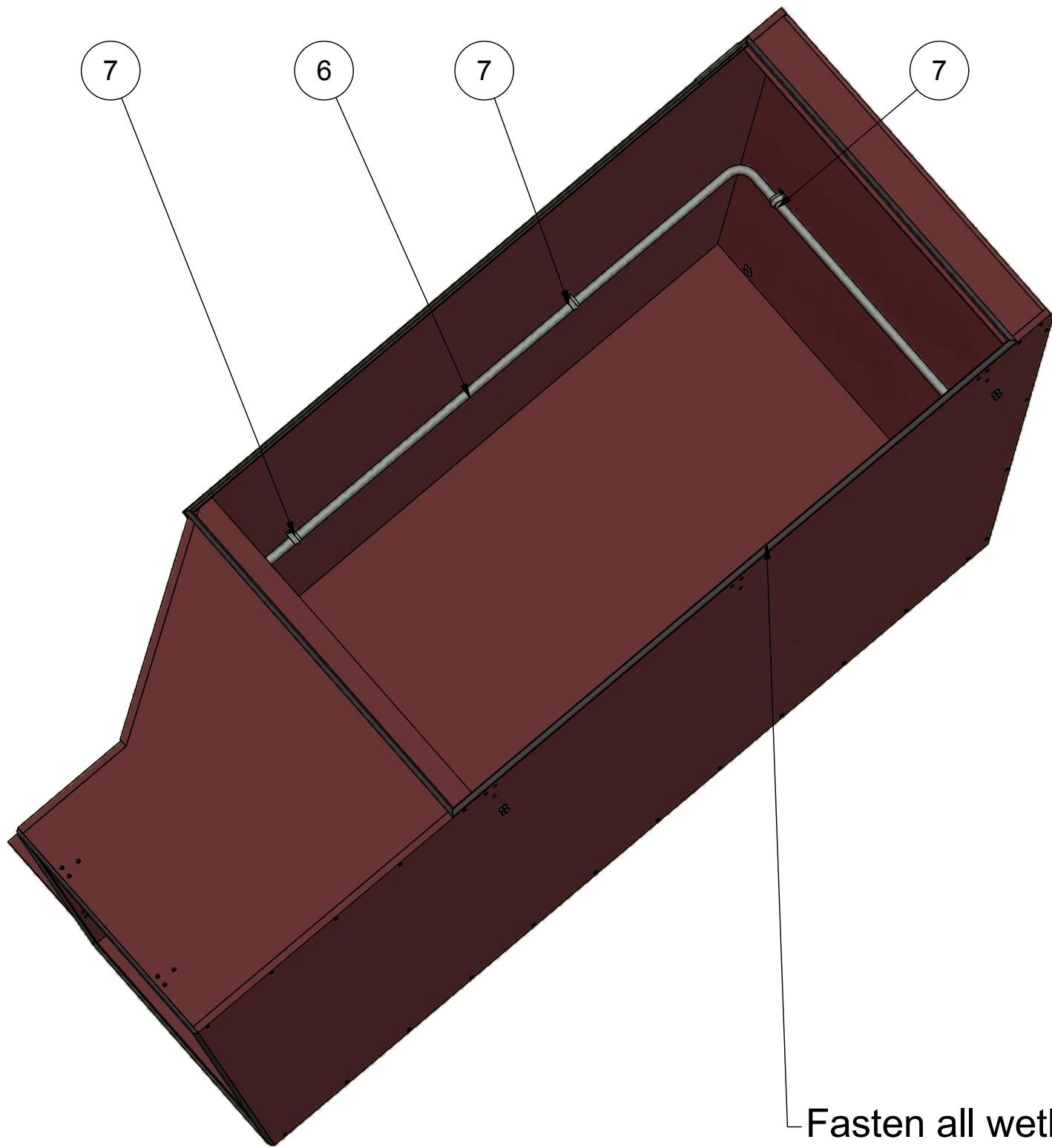
ITEM	QTY	PART NUMBER	DESCRIPTION
1	1	11408070	Hexagon bolt M8x70 FZB
2	1	17908000	Self-locking nut M8 FZB
3	3	20405010	Hexagon countersunk head M5x10 FZB
4	1	425944	Latch clamp 703HL
5	1	M100143	Clamp for bottle assembly 1
6	1	M100144	Clamp for bottle assembly 2



Break all edges

This document is strictly confidential and must not be disclosed to any third person. HEDENSTED GRUPPEN A/S	 HEDENSTED GRUPPEN	Scale: 1 : 1	Not specified tolerance according to: DS/ISO 2768-m	Sheet size: A3
			Surface properties: No	Sheet: 1 / 1
	Part No.:	M100142		
	Description 1:	Clamp for Co2 bottle 20L		
Description 2:				

Revision:	Approved	Date:	Revision Description
1	HG	28-09-2015	Revision changed to numeric




Fasten all wether strips with galvanized metal clipis

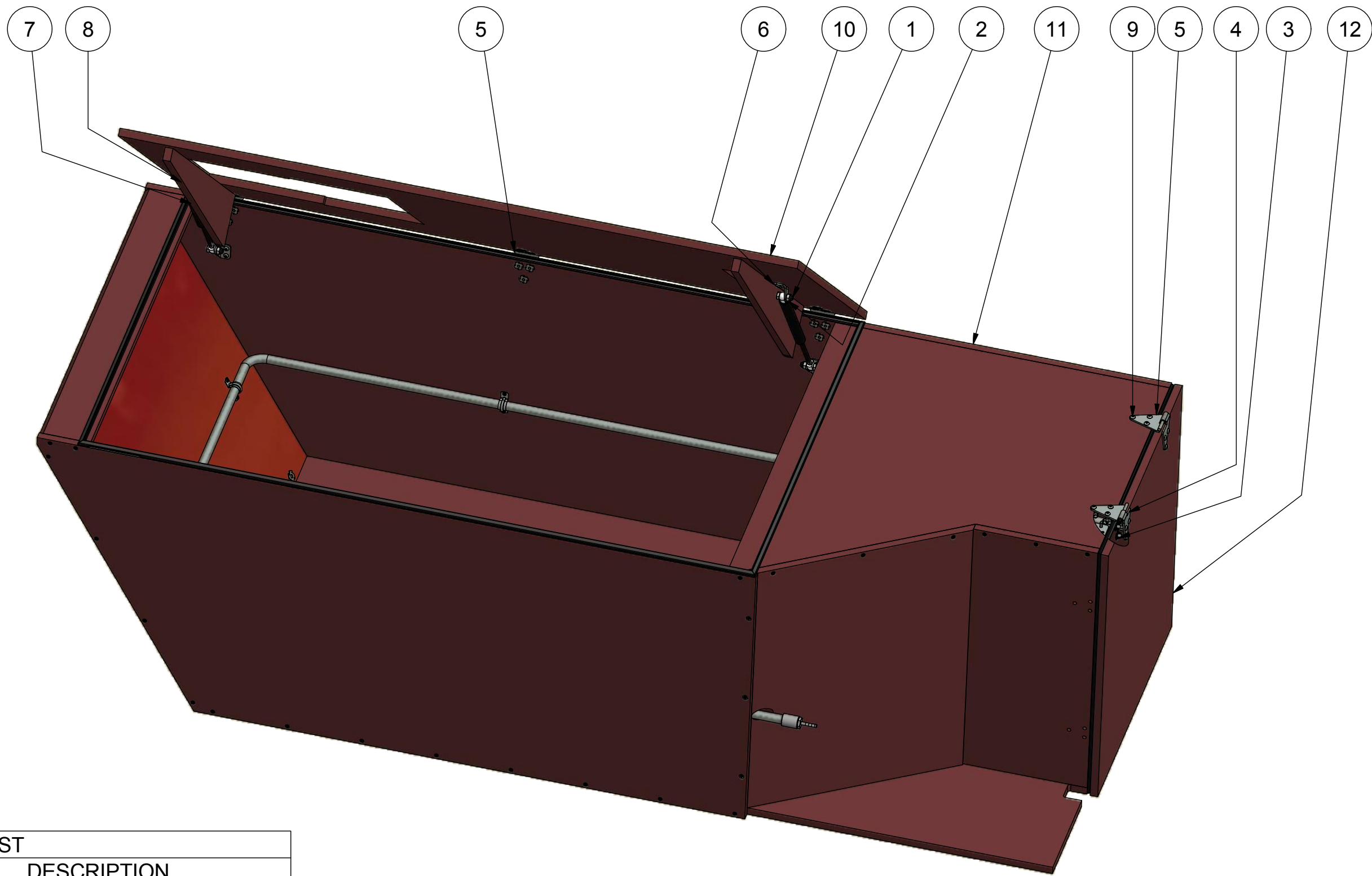
PARTS LIST

ITEM	QTY	PART NUMBER	DESCRIPTION
1	12	140851	Wood screw pan head 3,5 x 15
2	6,5 m	41592	Sealing strip
3	1	47002	Socket 3/8" Galv
4	1	477529	Hose pipe 3/8"x1/4"
5	1	M100131	Box for killing box Co2
6	1	M100137	Co2 Pipe
7	6	M100138	Pipe clamp 3/8"

Revision:	Approved	Date:	Revision Description
1	HG	28-09-2015	Revision changed to numeric

Break all edges

<small>This document is strictly confidential and must not be accounted for copied or disclosed to any third person.</small> HEDENSTED GRUPPEN A/S	 HEDENSTED GRUPPEN	Scale: 1 : 10	Not specified tolerance according to: DS/ISO 2768-m	Sheet size: A3
	Part No.: M100146	Material:	Surface properties: No	Sheet: 1 / 2
Description 1: Base assembly 1 Co2 box				
Description 2:				





PARTS LIST

ITEM	QTY	PART NUMBER	DESCRIPTION
1	4	11408025	Hexagon bolt M8x25 FZB
2	4	17908000	Self-locking nut M8 FZB
3	12	19205000	Drive in nut M5 FZB
4	3	422518	Hinge right
5	2	422520	Hinge left
6	4	422608	Brace for gas spring
7	2	422610	Gas spring Ø8 x 200mm, 250N
8	4	422612	Eye bracket for gas spring Ø8mm
9	38	76005020	Buttonhead bolt M5x20 FZB
10	1	M100135	Lid assembly
11	1	M100146	Base assembly 1 Co2 box
12	1	M10234	Lid for Co2 box

Revision:	Approved	Date:	Revision Description
1	HG	28-09-2015	Revision changed to numeric

Break all edges

<small>This document is strictly confidential and must not be accounted for copied or disclosed to any third person.</small> HEDENSTED GRUPPEN A/S	 HEDENSTED GRUPPEN	Scale: 1 : 8	Not specified tolerance according to: DS/ISO 2768-m	Sheet size: A3
	Part No.: M100147	Material:	 Surface properties: No	Sheet: 1 / 1
Description 1: Base assembly 2 Co2 box				
Description 2:				



HG
**HEDENSTED
GRUPPEN**

Vejlevej 15, DK-8722

Hedensted

Tel. (+45) 75 89 12 44

Fax (+45) 75 89 11 80

www.hedensted-gruppen.dk

HG – for professional fur farmers