

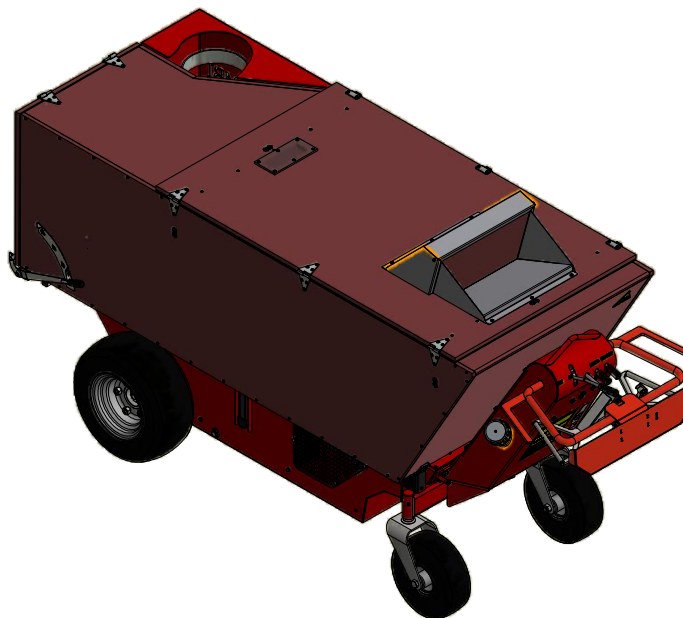
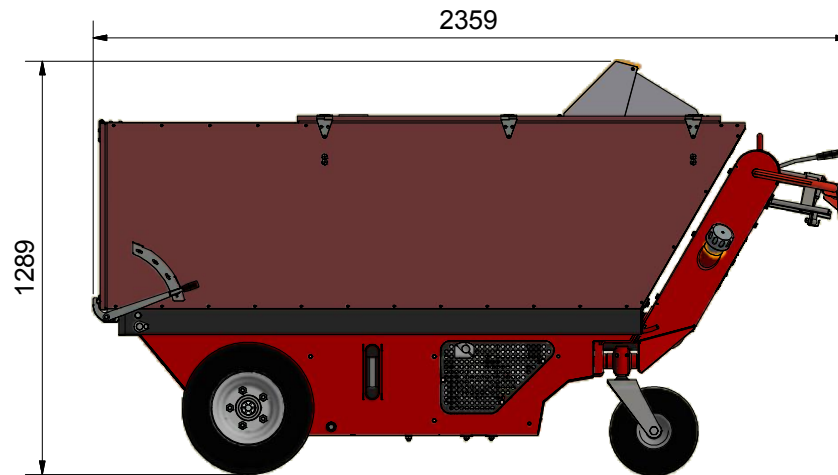
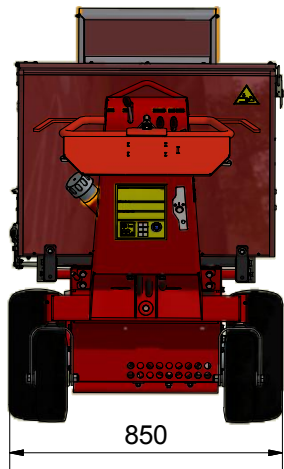


Spare parts




280131 Hydra Combi

HG
HEDENSTED
GRUPPEN



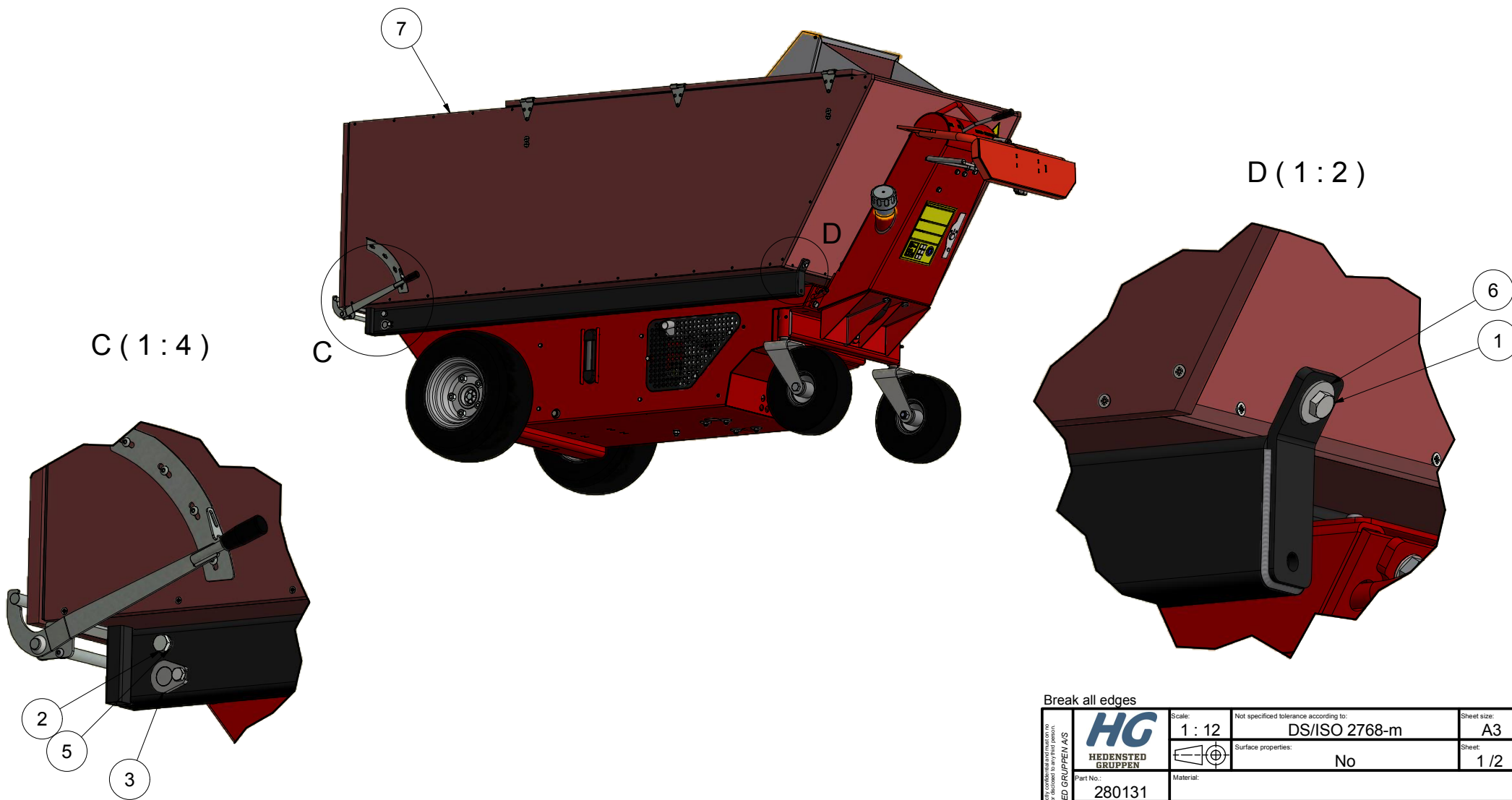
Break all edges

<small>Alle Rechte vorbehalten. Nachdruck, Vervielfältigung und Verbreitung, auch auszugsweise, ist ohne schriftliche Genehmigung der HEDENSTED GRUPPEN A/S</small>	 HEDENSTED GRUPPEN	Scale: 1 : 12	Not specified tolerance according to: DS/ISO 2768-m	Sheet size: A3
	Part No.: 280131	Surface properties: No		Sheet: 2 / 2
	Material:			
	Description 1: Hydra combi with Co2 box			
Description 2: Without manometer				

Revision:	Approved	Date:	Revision Description
1	HG	28-09-2015	Revision changed to numeric

PARTS LIST

ITEM	QTY	PART NUMBER	DESCRIPTION
1	2	11408025	Hexagon bolt M8x25 FZB
2	2	11410060	Hexagon bolt M10x60 FZB
3	1	280123	Hydra Combi w.electrical/Co2
4	5,0 l	476505	Gasoline 95 unleaded
5	2	82110000	Washer M10 FZB
6	2	82608000	Washer Ø8,4x24x2 FZB
7	1	M100130	Killing box for Co2

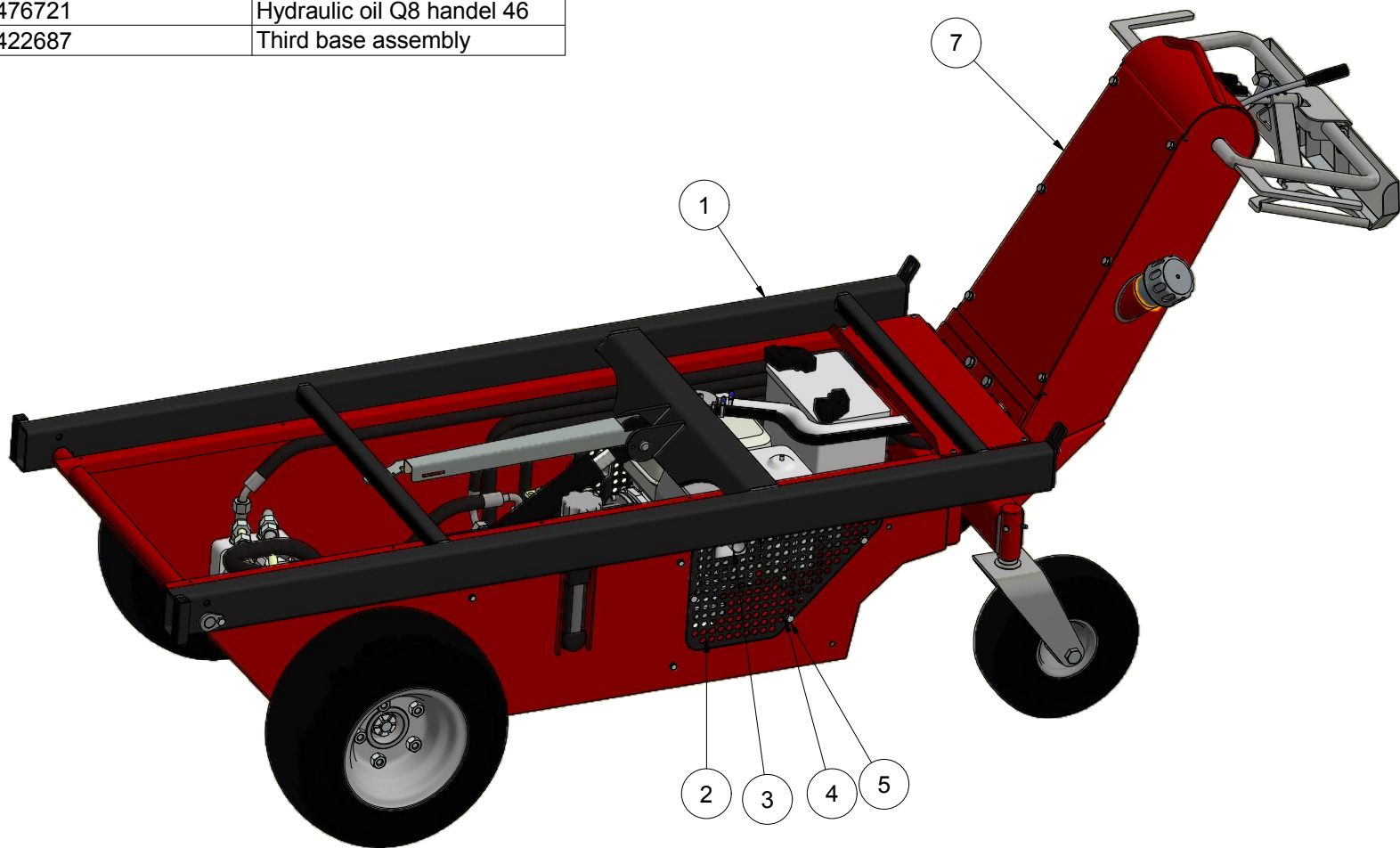


Revision:	Approved	Date:	Revision Description
1	HG	28-09-2015	Revision changed to numeric

Break all edges

HG HEDENSTED GRUPPEN A/S	Scale: 1 : 12	Not specified tolerance according to: DS/ISO 2768-m	Sheet size: A3
		Surface properties: No	Sheet: 1 / 2
	Part No.: 280131		Material:
Description 1: Hydra combi with Co2 box			
Description 2: Without manometer			

PARTS LIST			
ITEM	QTY	PART NUMBER	DESCRIPTION
1	1	422674	Stand assembly
2	1	422558	Frame part 10
3	1	441805	Exhaust for Hydra combi
4	3	82108000	Washer M8 FZB
5	3	11408016	Hexagon bolt M8x16 FZB
6	14,0 l	476721	Hydraulic oil Q8 handel 46
7	1	422687	Third base assembly



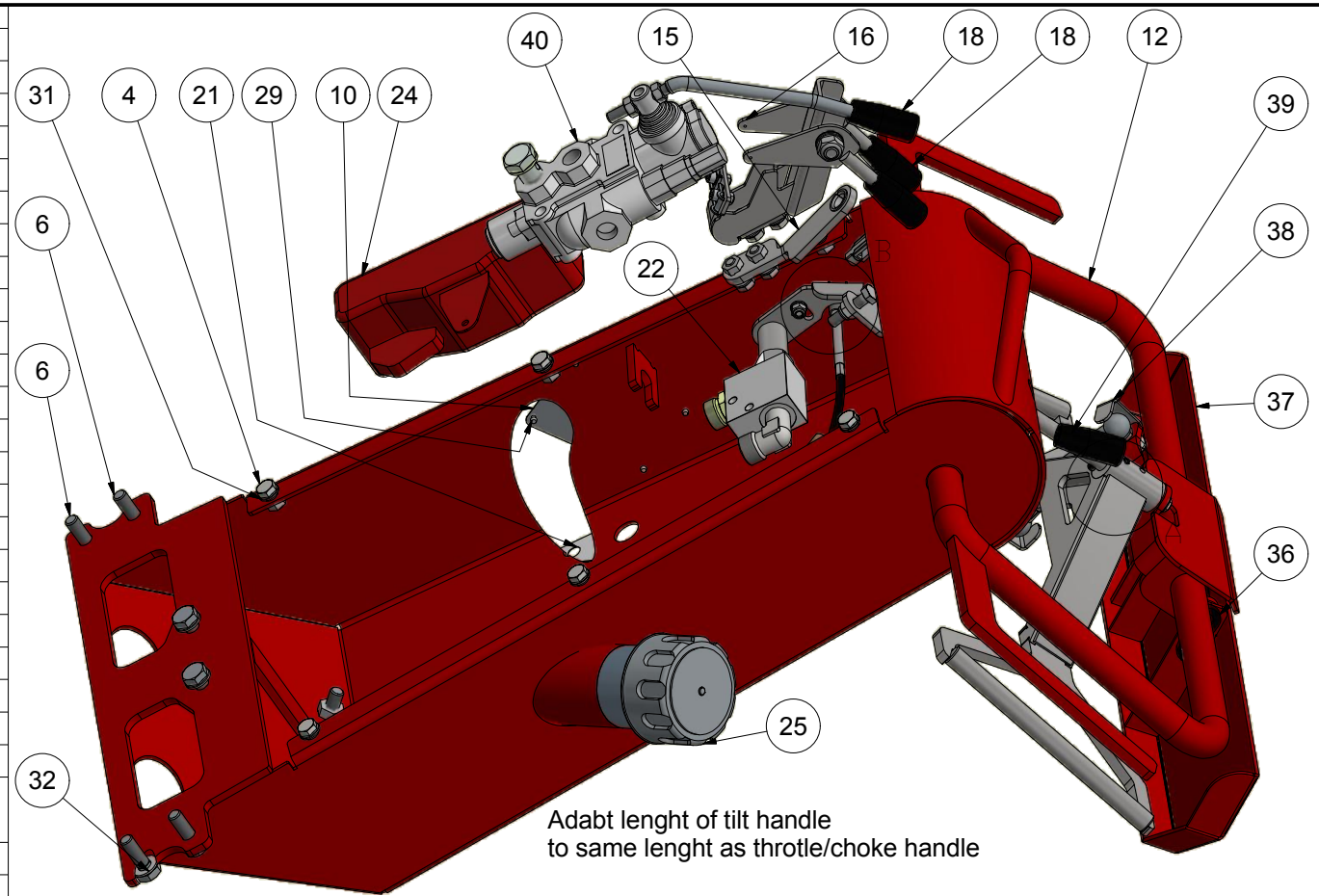
Break all edges

This drawing is the property of HEDENSTED GRUPPEN AS. It is not to be copied, reproduced, or disseminated to any third party.	HG		Scale:	Not specified tolerance according to:	Sheet size:	
	HEDENSTED GRUPPEN AS		1 : 8	DS/ISO 2768-m	A3	
				Surface properties:	No	Sheet:
						1 / 1
Part No.:		Material:				
280123						
Description 1:						
Hydra Combi w.electrical/Co2						
Description 2:						

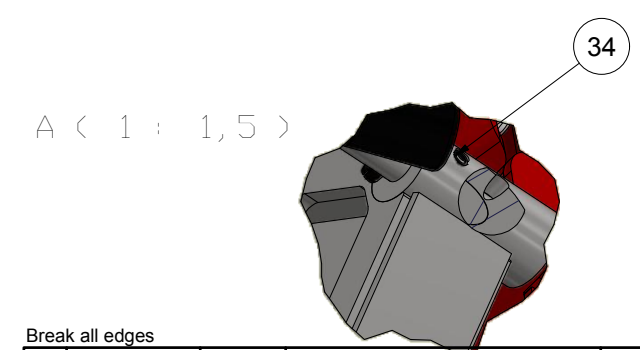
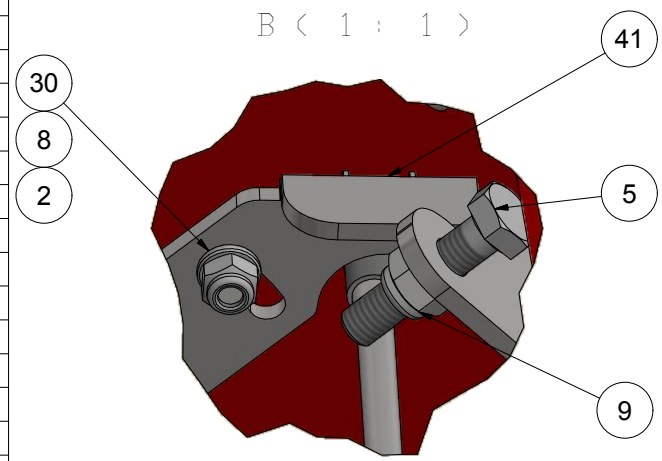
Revision:	Approved	Date:	Revision Description
1	HG	28-09-2015	Revision changed to numeric

Parts List

ITEM	QTY	PART NUMBER	DESCRIPTION
1	1	10508050	Stop screw M8x50-B
2	2	11406016	Hexagon bolt M6x16 FZB
3	1	11406020	Hexagon bolt M6x20 FZB
4	6	11408016	Hexagon bolt M8x16 FZB
5	1	11408035	Hexagon bolt M8x35 FZB
6	8	11410030	Hexagon bolt M10x30 FZB
7	2	1508000	Nut M8 FZB
8	2	17906000	Self-locking nut M6 FZB
9	3	17908000	Self-locking nut M8 FZB
10	1	30039	Id plate CE for Hydra Combi
11	2	415042	Ball angle joint AS13 M8
12	1	422566	Frame assembly 2
13	1	422640	Trotle cable for Hydra combi
14	1	422642	Choke cable for Hydra combi
15	1	422664	Assembly bearing for handle
16	1	422666	Throtle/choke assembly
17	3	423423	Slide bushing Ø12xØ14x7
18	3	423424	Handle, Ø21 cylindrical knob Ø10
19	1	423432	F-Bracket for cable G5x20
20	1	423443	Clips for F-joint
21	1	423464	Sticker for key start
22	1	423570	Alu valveblock pipe mounted
23	1	423573	Valve, cartridge 12v DC 2 way with override
24	1	441720	Key start GX 200
25	1	445091	Fuel tank cap G400
26	1	470565	Choke cable SS-SM
27	1	477117	Straight connector w. gasket Ø15L x 3/8"
28	1	477146	Elbow 3/8"t x Ø15L
29	4	7003208	Blind rivet Ø3.2x8 (4-5,5)
30	4	82106000	Washer M6 FZB
31	6	82108000	Washer M8 FZB
32	8	82110000	Washer M10 FZB
33	1	82606000	Washer Ø6,4x18x1,6 FZB
34	2	89505022	Pin slotted Ø5x22
35	1	M100499	Trottel grip
36	1	M100501	Lock rod assembly
37	1	M100503	Bumper assembly
38	2	M100507	Ball lock
39	1	M100772	Trotle shaft for hydra combi
40	1	M103202	Tilt valve
41	1	M103798	Bracket for valve with 16,1 mm hole



Adabt lenght of tilt handle to same lenght as throtle/choke handle

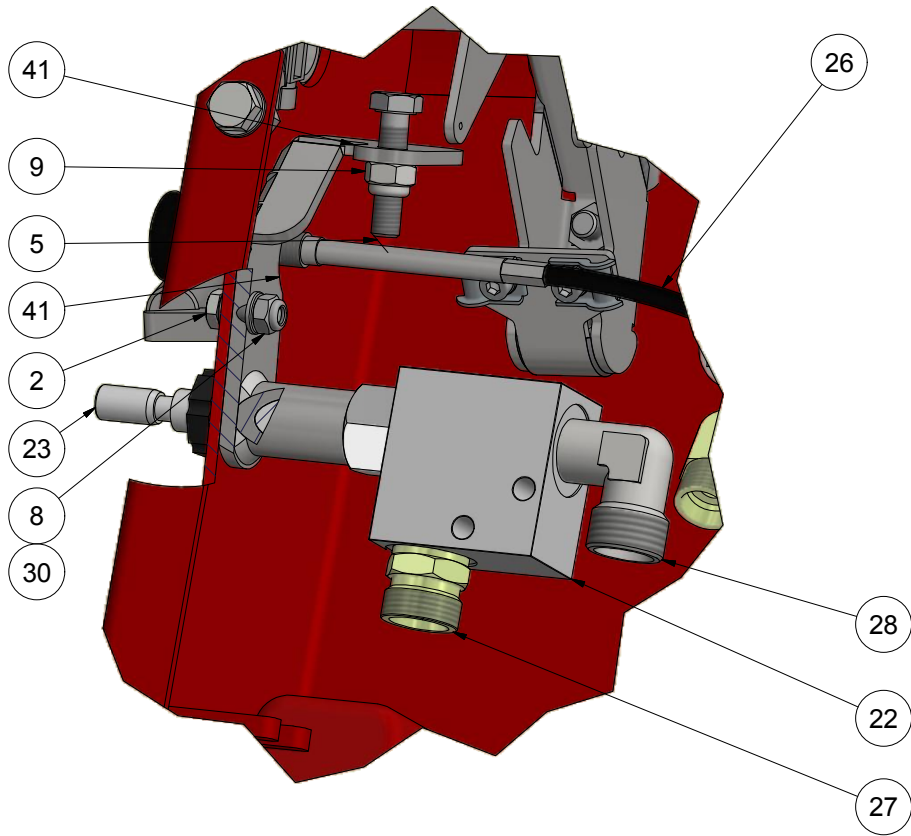


Break all edges

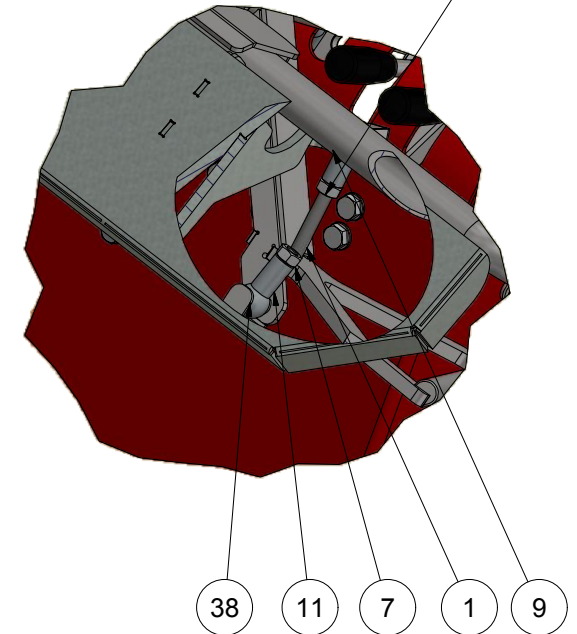
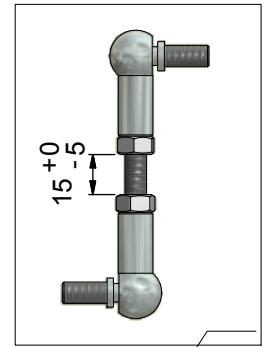
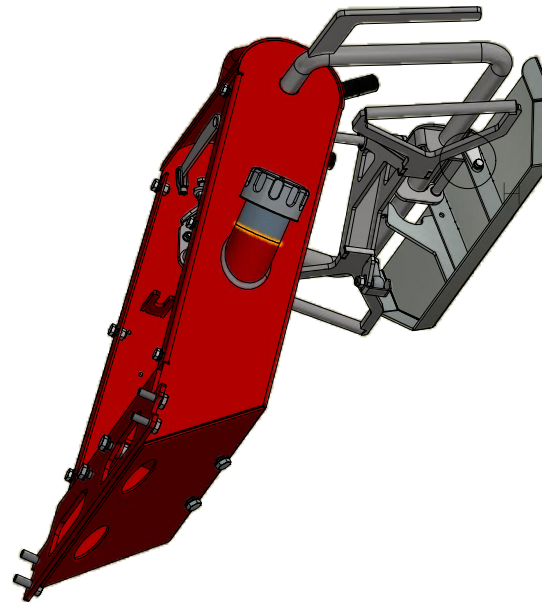
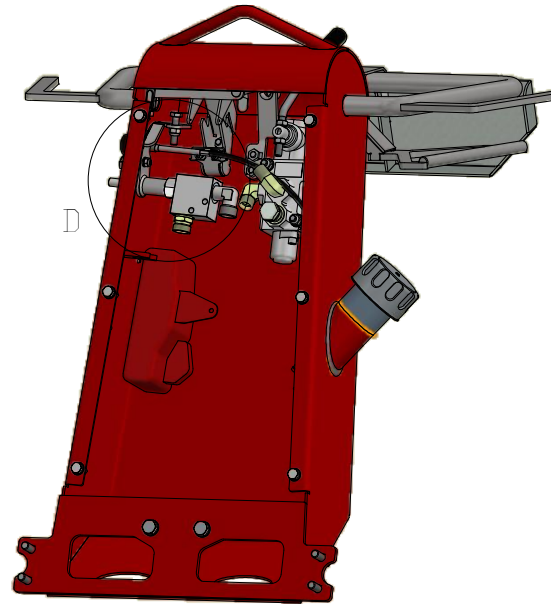
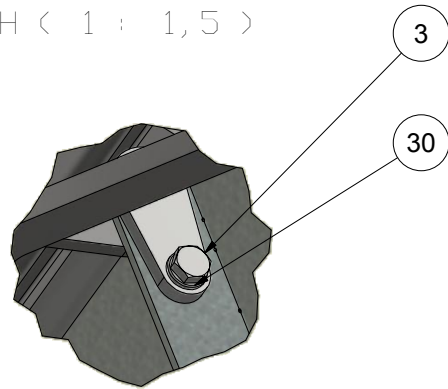
The information on this drawing is confidential and may not be disclosed to other third parties. HEDENSTED GRUPPEN AS		Scale: 1 : 3,7	Not specified tolerance according to:	Sheet size: A3
	Part No.: 422678	Material:	Surface properties:	Sheet: 1 / 2
	Description 1: Operator assembly			
	Description 2:			

Revision:	Approved:	Date:	Revision Description
3	KKS	20-12-2018	Manual valve + Bracket changed


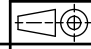
D < 1 : 1,5 >



H < 1 : 1,5 >



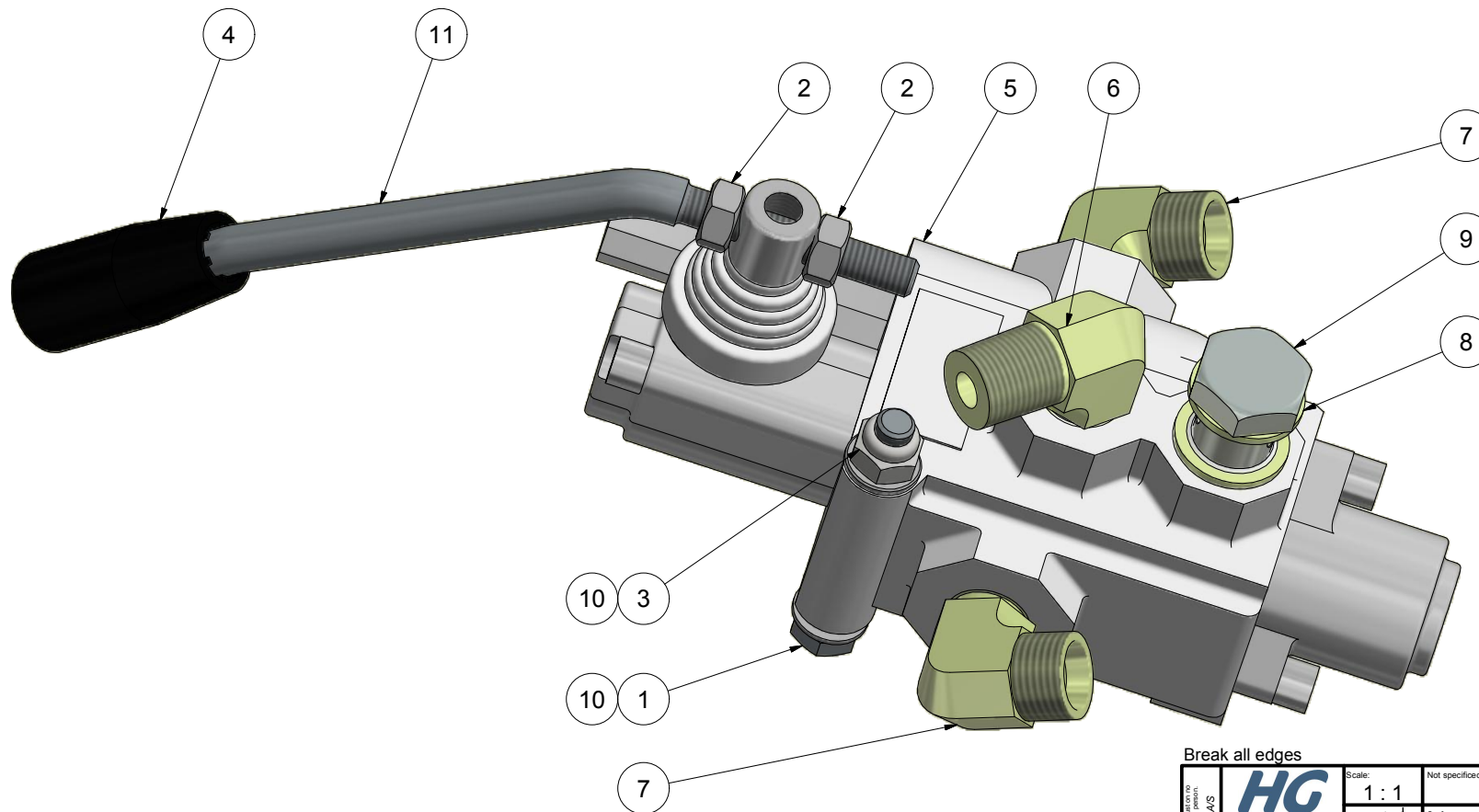
Break all edges

The drawing is a technical drawing and not a photograph. It is not to be used for manufacturing or assembly without the approval of the manufacturer.	 HEDENSTED GRUPPEN		Scale:	Not specified tolerance according to:	Sheet size:
			1 : 3,7		A3
				Surface properties:	Sheet:
					2 / 2
Part No.:		Material:			
422678					
Description 1:					
Operator assembly					
Description 2:					

Revision:	Approved	Date:	Revision Description
3	KKS	20-12-2018	Manual valve + Bracket changed

PARTS LIST

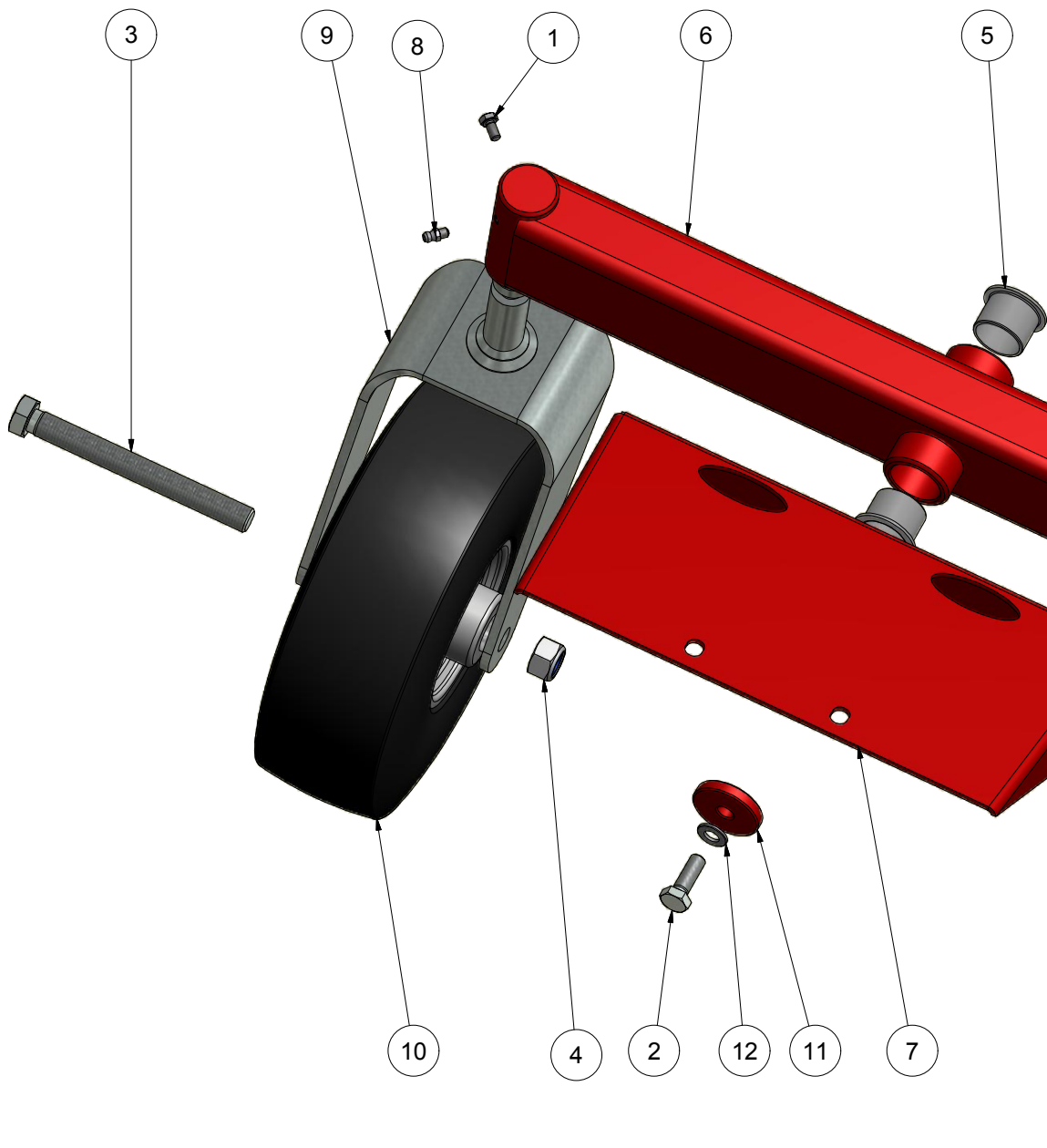
ITEM	QTY	PART NUMBER	DESCRIPTION
1	2	11408065	Hexagon bolt M8x65 FZB
2	2	1508000	Nut M8 FZB
3	2	17908000	Self-locking nut M8 FZB
4	1	423424	Handle, Ø21 cylindrical knob Ø10
5	1	423526	Hydraulic tilt valve
6	1	477105	Elbow 3/8"t x 3/8"t (M/M)
7	2	477139	Elbow 3/8"t x Ø12L
8	2	477163	Bopnded seal washer 3/8"
9	1	477222	Banjo bolt 3/8"
10	4	82108000	Washer M8 FZB
11	1	M103201	Handle for tilt valve



Break all edges

The drawing is a technical drawing and not a photograph. It is not to be used for manufacturing purposes without the approval of the drawing office.		Scale: 1 : 1	Not specified tolerance according to: DS/ISO 2768-m	Sheet size: A3
	HEDENSTED GRUPPEN Part No.: M103202		Surface properties: No	Sheet: 1 / 2
	Material:			
	Description 1: Tilt valve			
Description 2: Hydra combi				

Revision:	Approved	Date:	Revision Description
1	KKS	02-02-2018	Made


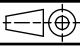


Parts List

ITEM	QTY	PART NUMBER	DESCRIPTION
1	2	11406012	Hexagon bolt M6x12 FZB
2	1	11410030	Hexagon bolt M10x30 FZB
3	2	11416150	Hexagon bolt M16x150 FZB
4	2	17916000	Self-locking nut M16 FZB
5	2	422413	Slide Bearing PAF-30260 (34x30x26)
6	1	422512	Suspension movable part
7	1	422616	Reinforcement for control
8	2	423068	Grease fitting M6 straight
9	2	423465	Fork for wheel DGT 12"
10	2	423466	Fork wheel SS Hydra
11	1	43254	End plate Ø45
12	1	82110000	Chamfered Washer M10 FZB

Add grease in both grease fittings

Break all edges

The drawing is a technical drawing and must be read in accordance with the standards of the German Institute for Standardization (DIN) and the International Organization for Standardization (ISO). HEDENSTED GRUPPEN A/S	 HG HEDENSTED GRUPPEN	Scale: 1 : 3	Not specified tolerance according to: DS/ISO 2768-m	Sheet size: A3
	Part No.: 422680	Material:	Surface properties: 	Sheet: 1 / 1
	Description 1: Suspension assembly			
	Description 2:			

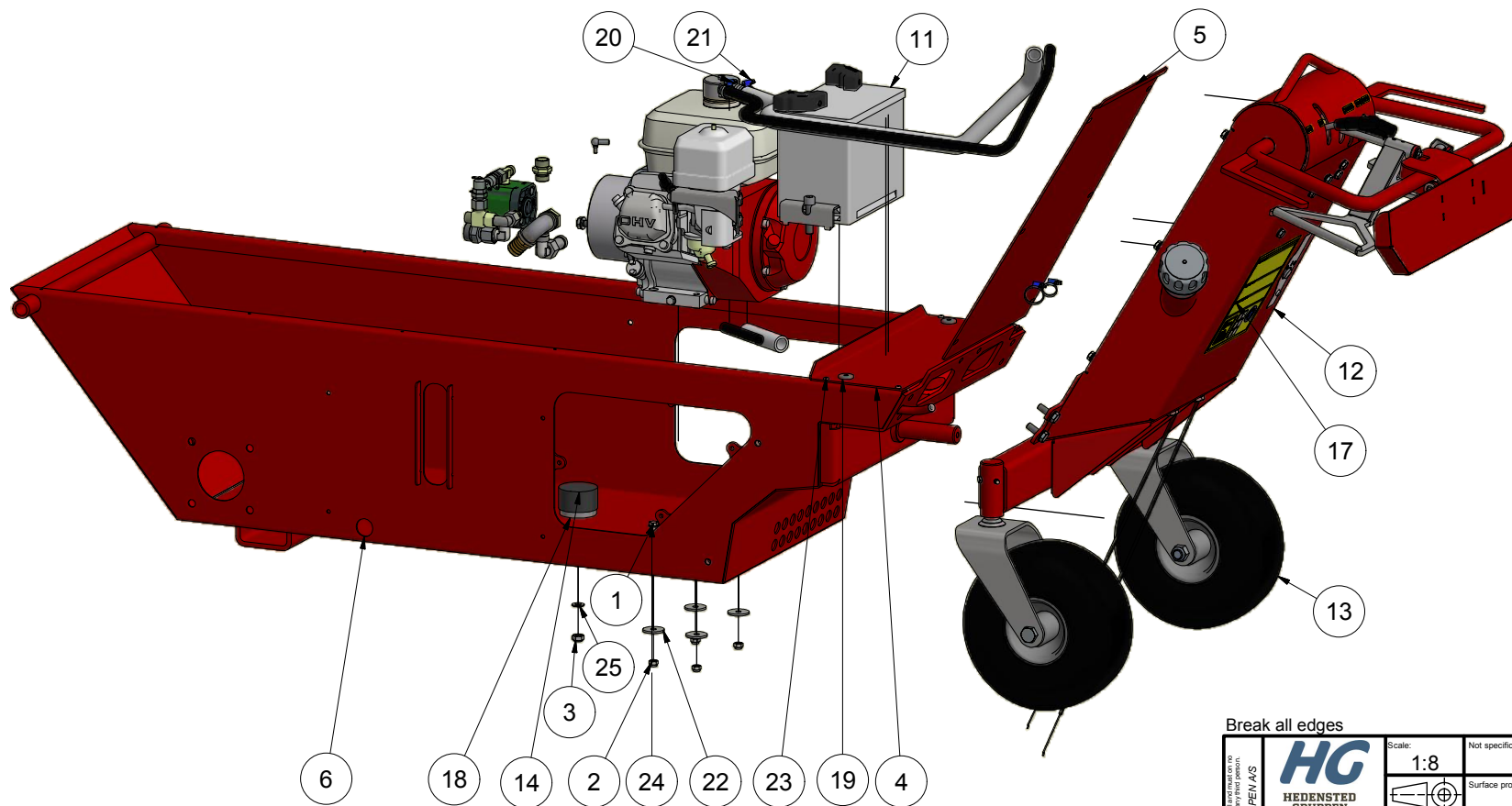
Revision:	Approved	Date:	Revision Description
1	HG	28-09-2015	Revision changed to numeric

PARTS LIST

ITEM	QTY	PART NUMBER	DESCRIPTION
1	4	11408040	Hexagon bolt M8x40 FZB
2	4	17908000	Self-locking nut M8 FZB
3	1	17910000	Self-locking nut M10 FZB
4	1	422556	Frame part 6
5	1	422562	Frame part 17
6	1	422564	Frame assembly 1
7	1	422652	Red wire 16° Length 80 cm
8	1	422654	Black wire length 98 cm
9	1	422656	Wireing for Engine
10	1	422661	Engine assembly 2
11	1	422676	Battery assembly
12	1	422678	Operator assembly
13	1	422680	Suspension assembly

PARTS LIST

ITEM	QTY	PART NUMBER	DESCRIPTION
14	1	423421	Vibration absorber Ø65x35 - M10
15	0,9 m	423451	Fuel hose hydro eco 10x3,5
16	0,9 m	423452	Fuel hose 19x6,0
17	1	423477	Warning logo DK
18	1	423542	Washer for vibration absorber
19	2	423606	Rubber plug for plate
20	2	474007	Hose clamp 14-22
21	2	474008	Hose clamp 22-30
22	4	4809335	Washer SRKB Ø9x35x3 FZB
23	4	76005012	Buttonhead bolt M5x12 FZB
24	4	82108000	Washer M8 FZB
25	1	82110000	Washer M10 FZB



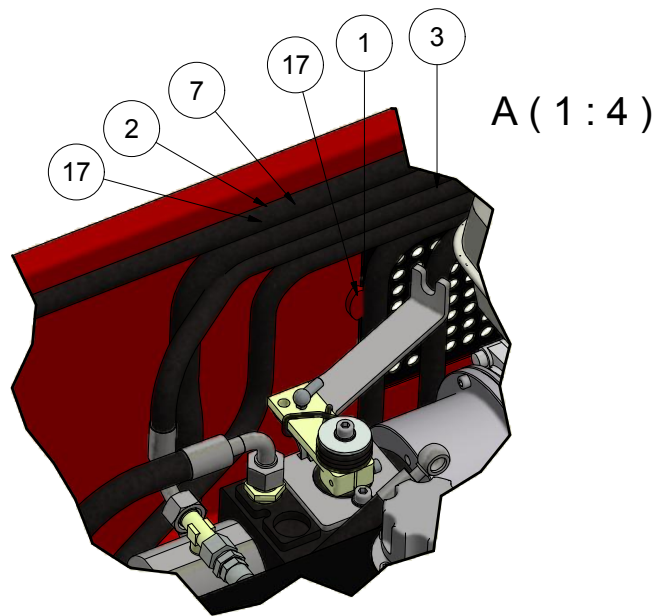
Break all edges

This drawing is property of HEDENSTED GRUPPEN A/S. It is not to be copied, disseminated, disclosed or used for any third parties.		Scale: 1:8	Not specified tolerance according to: DS/ISO 2768-m	Sheet size: A3
	HEDENSTED GRUPPEN		Surface properties: No	Sheet: 1/2
	Part No.: 422683	Material:		
Description 1: First base assembly				
Description 2:				

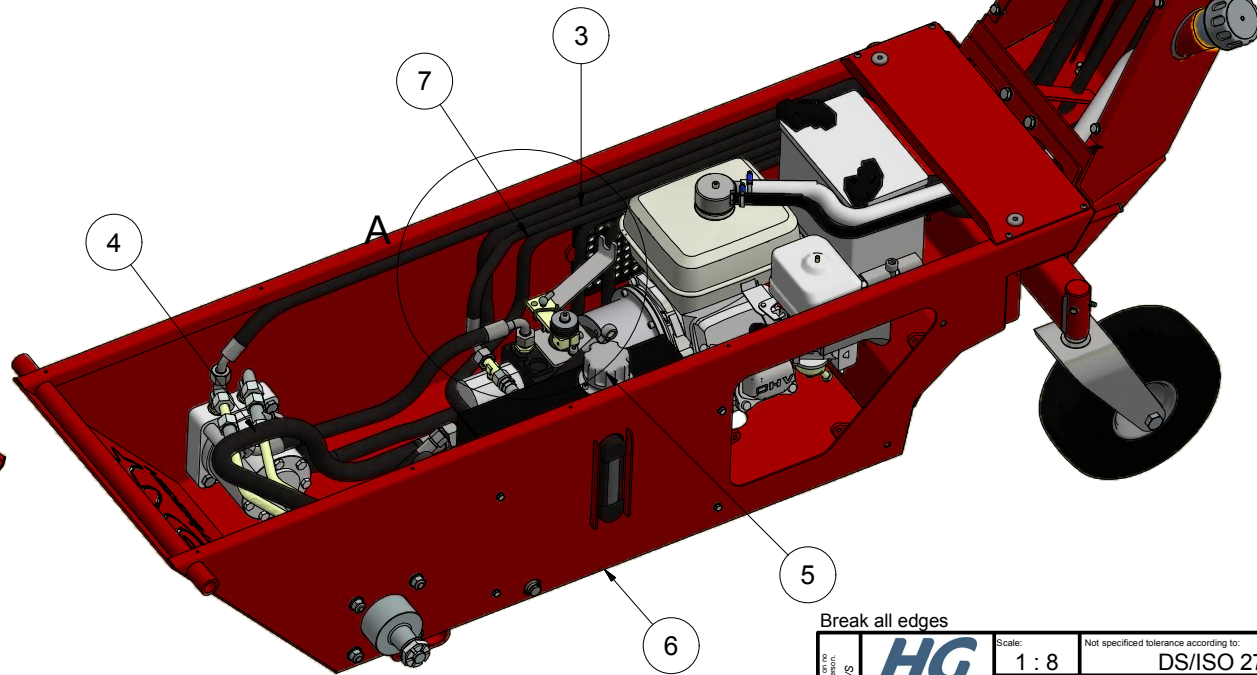
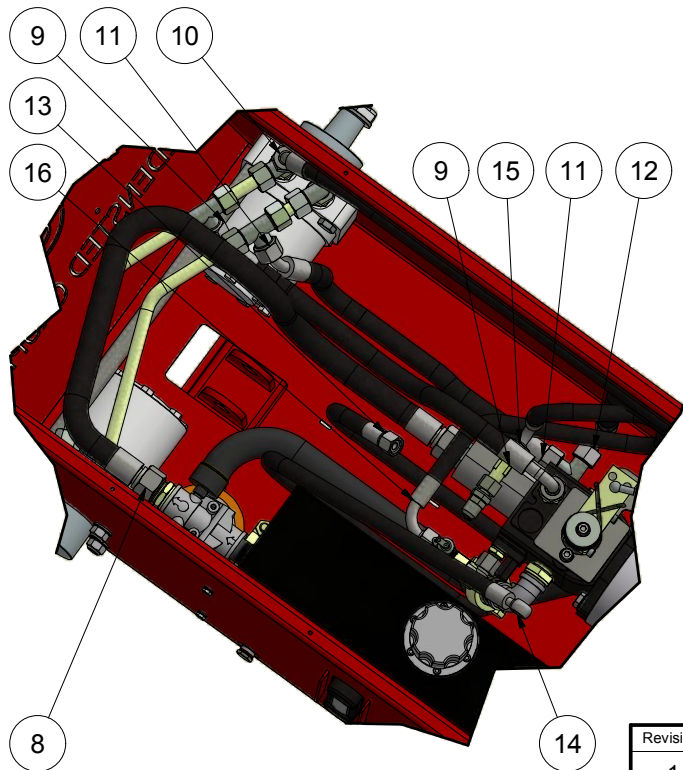
Revision:	Approved	Date:	Revision Description
2	KKS	05-02-2018	422678 updated

PARTS LIST

ITEM	QTY	PART NUMBER	DESCRIPTION
1	3	11408016	Hexagon bolt M8x16 FZB
2	2	11408025	Hexagon bolt M8x25 FZB
3	1	422560	Frame part 12
4	1	422668	Wheel motor assembly
5	1	422670	Hydraulic tank assembly
6	1	422683	First base assembly
7	2	423601	Hose clamp
8	1	477404	Hydraulic hose 1. 3/4"x 825mm
9	1	477406	Hydraulic hose 2. 1/2" x 500mm
10	1	477408	Hydraulic hose 3. 1/2"x 1780mm
11	1	477410	Hydraulic hose 4. 1/2"x 460mm
12	1	477412	Hydraulic hose 5. 1/2" x 1420mm
13	1	477414	Hydraulic hose 6. 3/8"x2200mm
14	1	477416	Hydraulic hose 7. 3/8"x 2690mm
15	1	477418	Hydraulic hose 8. 3/8" x1625mm
16	1	477420	Hydraulic hose 9. 3/8" x1820mm
17	5	82108000	Washer M8 FZB



A (1:4)

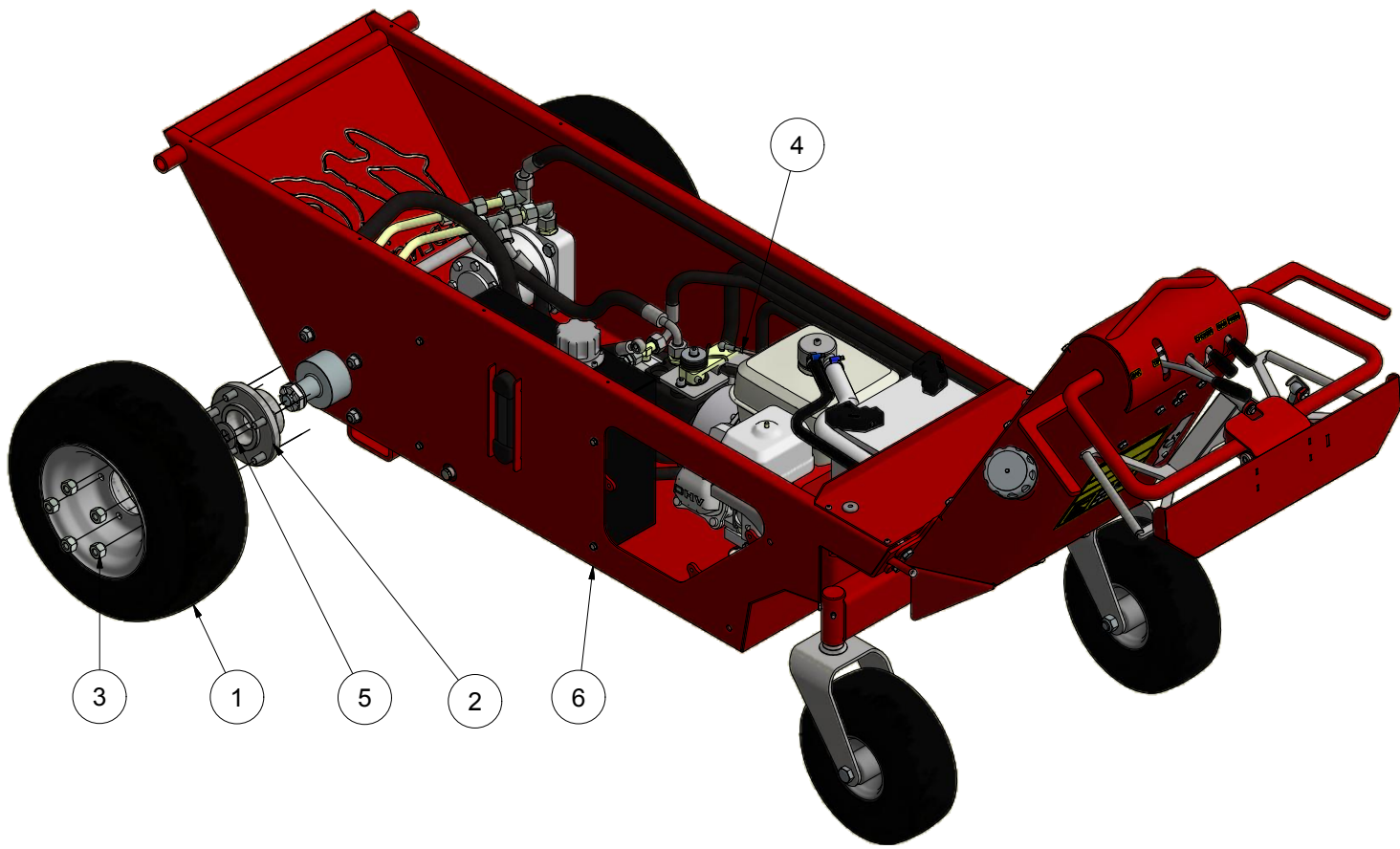


Break all edges


This drawing is the property of HEDENSTED GRUPPEN A/S. It is not to be copied, reproduced, or disseminated in any form without the prior written permission of HEDENSTED GRUPPEN A/S.		Scale: 1:8	Not specified tolerance according to: DS/ISO 2768-m	Sheet size: A3
	HEDENSTED GRUPPEN Part No.: 422685		Surface properties: No	Sheet: 1/1
	Description 1: Second base assembly			
	Description 2: Hydra combi Co2			

Revision:	Approved	Date:	Revision Description
1	HG	28-09-2015	Revision changed to numeric

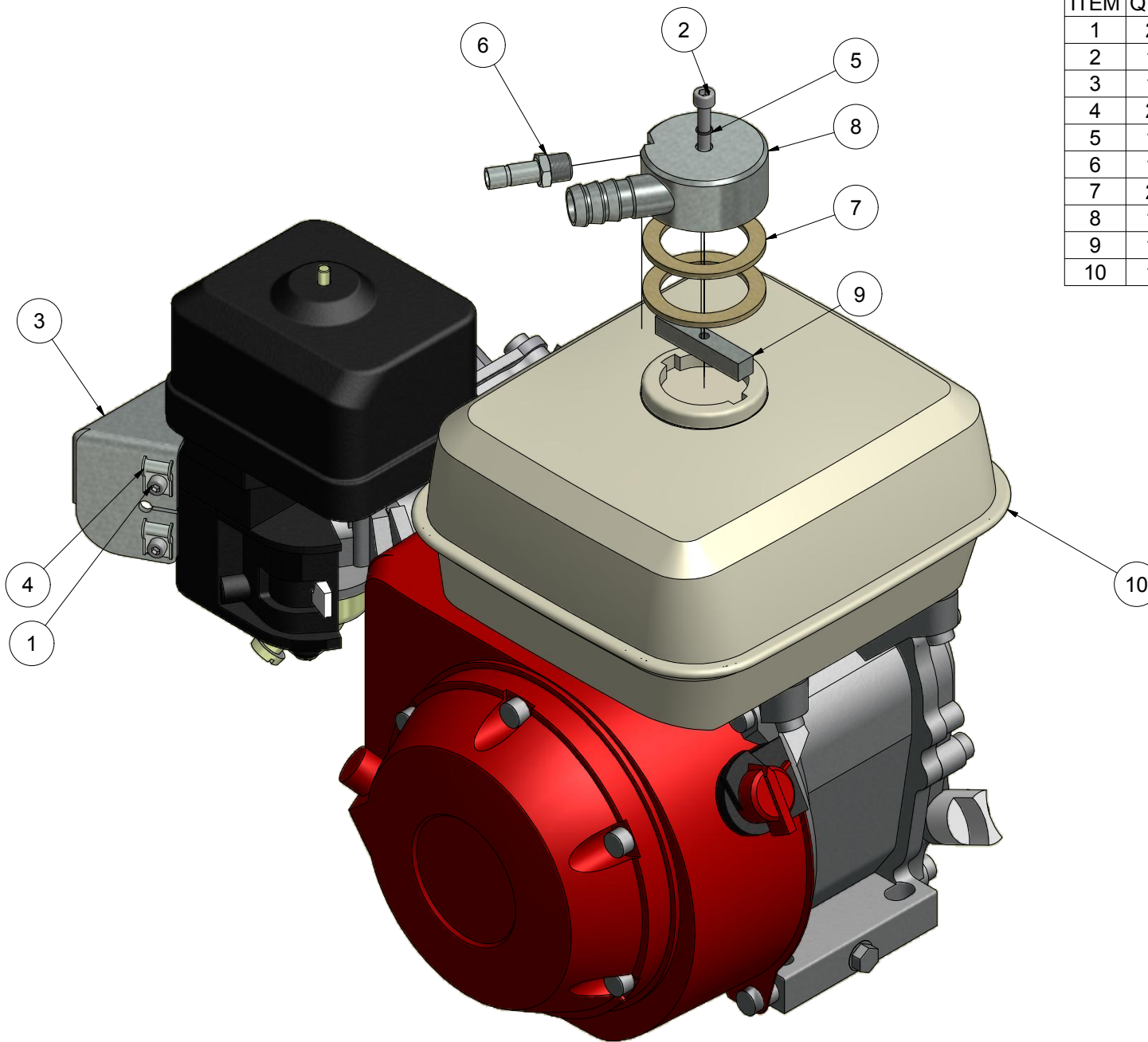
PARTS LIST			
ITEM	QTY	PART NUMBER	DESCRIPTION
1	2	474733	Wheel F. LP190-8/8 Hf400 silve
2	2	423471	Wheel hub for omrw
3	10	479910	Wheel nut M12x1,5 NV22 60° FZB
4	1	422632	Sterring cable for Hydra combi
5	2	423545	Washer f/OMRW 45x20,5x4 FZB
6	1	422685	Second base assembly



Break all edges


The information on this drawing is the property of HEDENSTED GRUPPEN A/S. It is not to be copied or disclosed to any third person.	 HEDENSTED GRUPPEN	Scale: 1:8	Not specified tolerance according to: DS/ISO 2768-m	Sheet size: A3
	Part No.: 422687	Material:	Surface properties: No	Sheet: 1/1
	Description 1: Third base assembly			
	Description 2: Hydra Combi Co2			

Revision:	Approved	Date:	Revision Description
1	HG	28-09-2015	Revision changed to numeric



PARTS LIST			
ITEM	QTY	PART NUMBER	DESCRIPTION
1	2	10205010	Hexagon cylinder head M5x10 FZB
2	1	10206050	Hexagon cylinder head M6x50 FZB
3	1	423415	Throttle-Choke brace
4	2	423419	Cable clamp
5	1	423444	O-ring OR6,00-1,00
6	1	423446	Reduction stem Ø10 x 1/4" pipe Metal
7	2	423627	Gasket for fueltank
8	1	43356	External fuel cap
9	1	43359	Tension brace
10	1	441705	HONDA GX200UT SXE5 electrical start

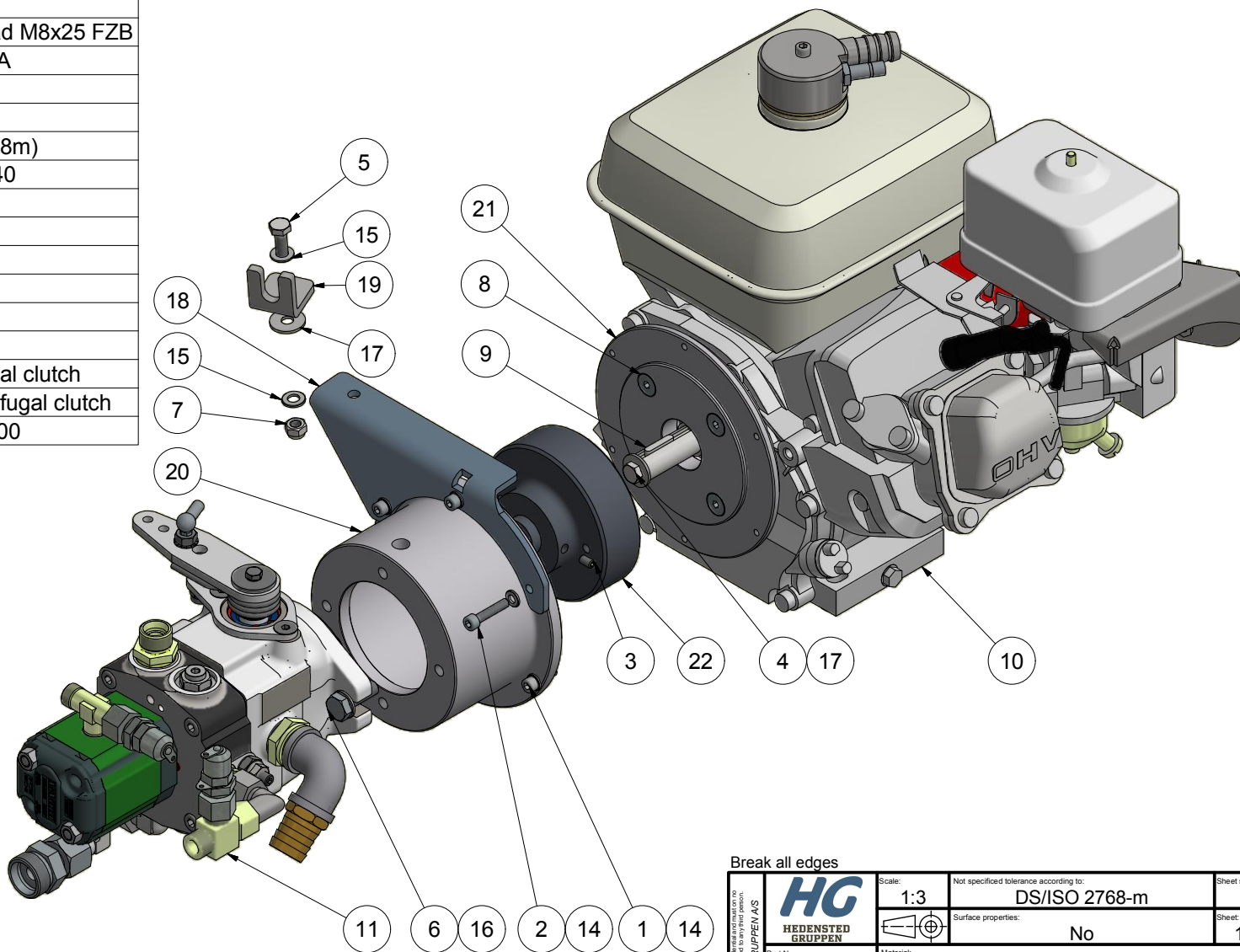
Break all edges

<small>Alle Rechte vorbehalten. Nachdruck, Vervielfältigung und Verbreitung, auch auszugsweise, ist ohne schriftliche Genehmigung der HEDENSTED GRUPPEN A/S.</small> HEDENSTED GRUPPEN A/S	 HEDENSTED GRUPPEN	Scale: 1 : 2	Not specified tolerance according to: DS/ISO 2768-m	Sheet size: A3
	Part No.: 422659	Surface properties: No	Material:	Sheet: 1 / 2
	Description 1: Engine assembly 1			

Revision:	Approved	Date:	Revision Description
1	HG	27-09-2015	Revision changed to numeric

PARTS LIST

ITEM	QTY	PART NUMBER	DESCRIPTION
1	3	10206020	Hexagon cylinder head M6x20 FZB
2	3	10206030	Hexagon cylinder head M6x30 FZB
3	1	10506010	Stop screw M6x10-B
4	1	11408016	Hexagon bolt M8x16 FZB
5	1	11408025	Hexagon bolt M8x25 FZB
6	2	11410030	Hexagon bolt M10x30 FZB
7	1	17908000	Self-locking nut M8 FZB
8	4	20408025	Hexagon countersunk head M8x25 FZB
9	1	207946	Key 5x5x25mm DIN-6885A
10	1	422659	Engine assembly 1
11	1	422672	Hydraulic pump assembly
12	1,7 m	423470	Starter string 4,5 mm (1,58m)
13	0,6 l	476705	Engine oil Q8 T520 15W-40
14	6	82106000	Washer M6 FZB
15	2	82108000	Washer M8 FZB
16	2	82110000	Washer M10 FZB
17	2	82608000	Washer Ø8,4x24x2 FZB
18	1	M102605	Brace for steering cable
19	1	M102606	Arm for steering cable
20	1	M103457	Bell for housing - centrifugal clutch
21	1	M103458	Flange for housing - centrifugal clutch
22	1	M103459	Centrifugal clutch for GX200



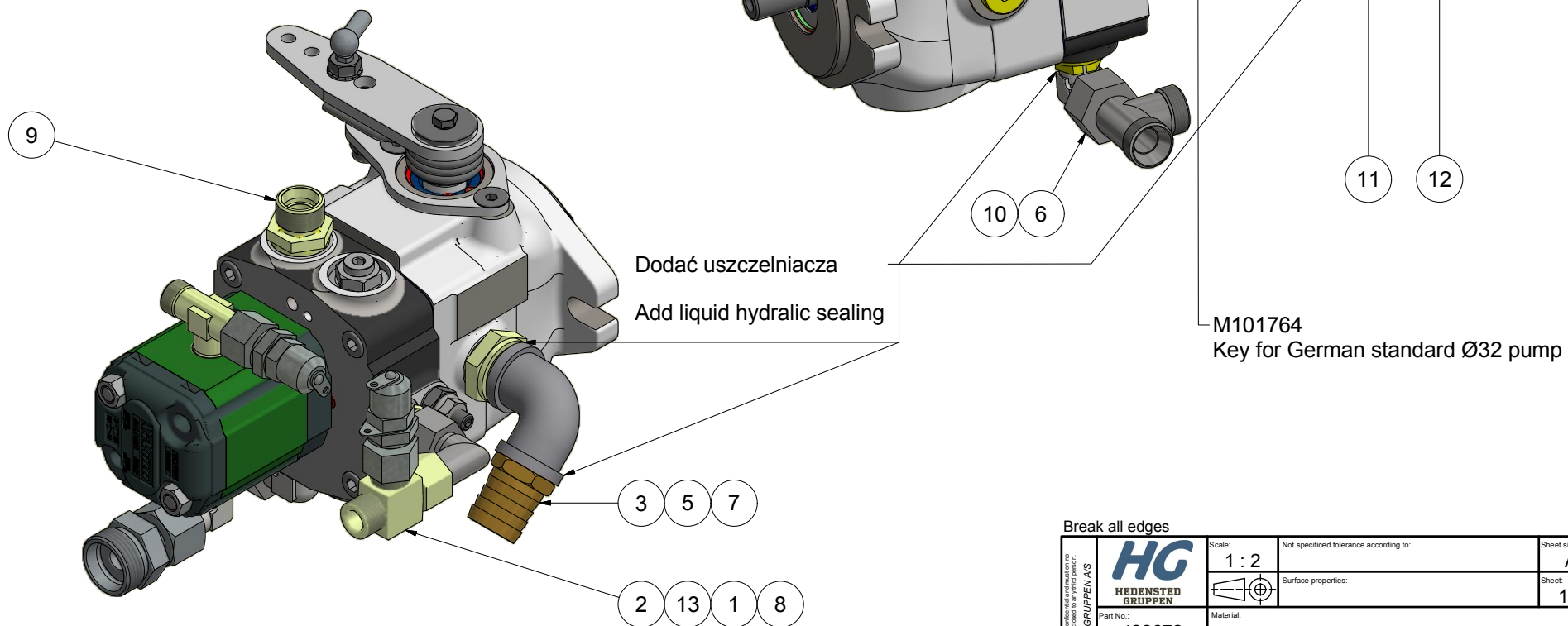
Break all edges

	Scale:	1:3	Not specified tolerance according to:	DS/ISO 2768-m	Sheet size:	A3
	Surface properties:	No		Sheet:	1/1	
	Part No.:	422661				
	Description 1:	Engine assembly 2				
Description 2:	Hydra combi Co2					

Revision:	Approved	Date:	Revision Description
3	KKS	20-12-2018	Centrifugal clutch changed to Suco

Parts List

ITEM	QTY	PART NUMBER	DESCRIPTION
1	1	424047	Elbow adjustable Ø12-L w. o-ring Ø12L
2	1	424060	Tee Ø12L x Ø12L x Ø12L (F/F/M)
3	1	424075	Hose nipple Ø1" x 3/4" Brass
4	1	424176	Tee 3/8"t x Ø12L x Ø12L (M/F/F)
5	1	471104	Elbow 3/4" (F/F) Galvanized
6	1	477072	Tee Adjustable Ø15L x Ø15L x Ø15L (M/F/F)
7	1	477097	Straight connector w. gasket 3/8" x 3/4"
8	1	477110	Straight connector w. gasket Ø12L x 1/4"
9	1	477120	Straight connector w. gasket Ø15L 1/2"
10	1	477141	Elbow 1/2"t x Ø15L
11	1	477146	Elbow 3/8"t x Ø15L
12	1	477208	Reduction Ø15L w. o-ring Ø22L
13	2	477272	Test nipple w. o-ring Ø12L
14	1	489103	Ball angle joint AS08 M05
15	1	M101762	Variable piston pump 13,6ccm
16	1	M101763	Gear pump 3,8ccm, German standard ø32
17	1	M101764	Key for German standard ø32 pump



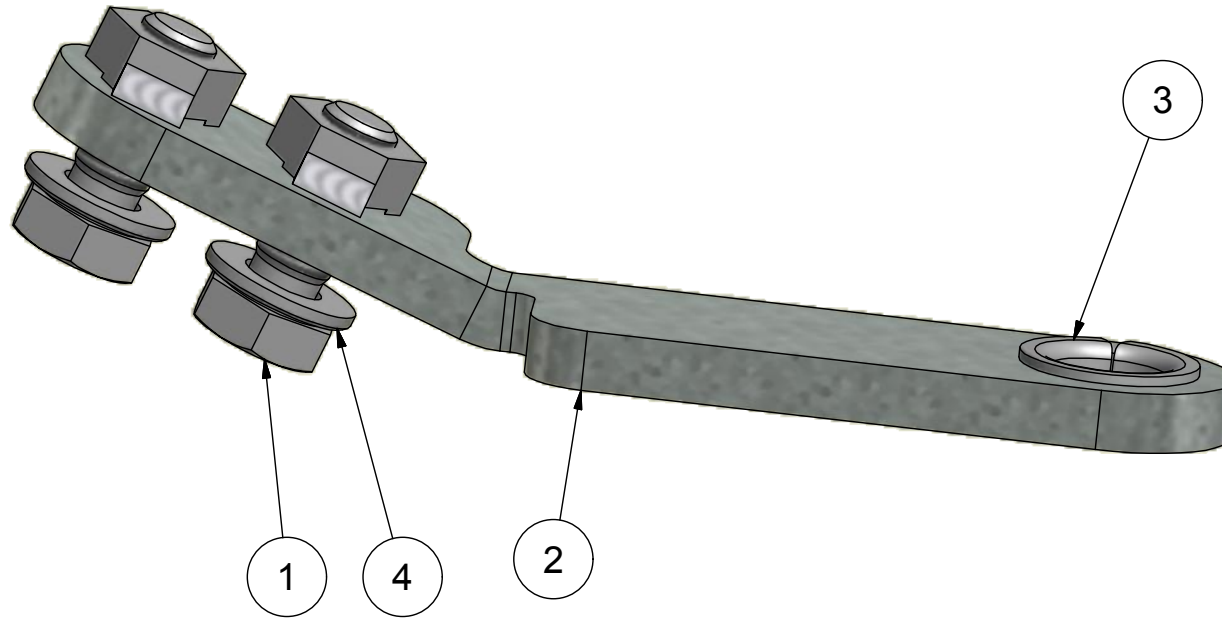
Revision:	Approved	Date:	Revision Description
2	KKS	02-02-2018	Pump changed

Break all edges


 HEDENSTED GRUPPEN A/S	Scale:	1 : 2	Not specified tolerance according to:	Sheet size:
	Part No.:	422672	Surface properties:	A3
	Description 1:	Hydraulic pump assembly		
Description 2:				1/2

Parts List

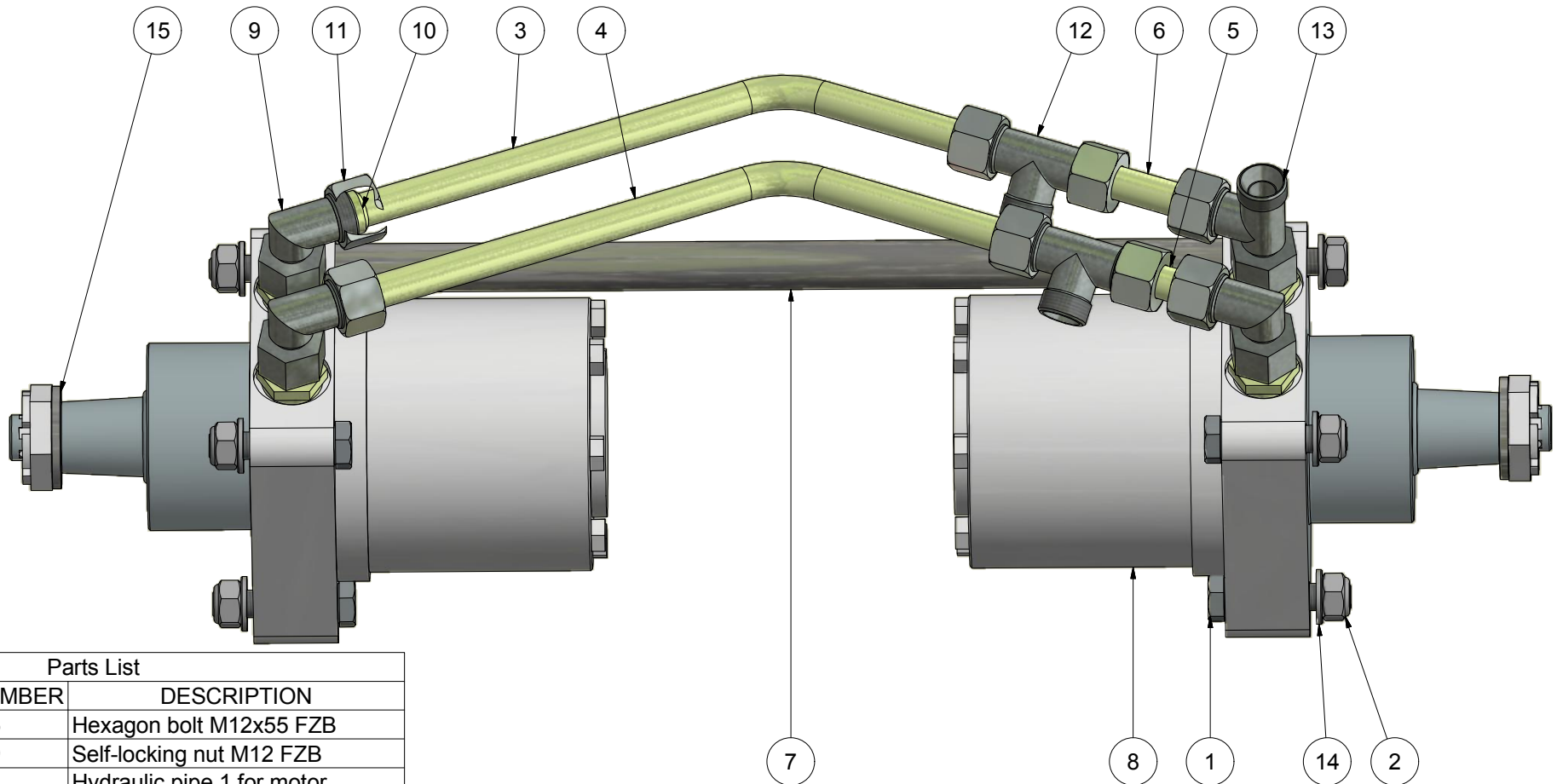
ITEM	QTY	PART NUMBER	DESCRIPTION
1	2	11408020	Hexagon bolt M8x20 FZB
2	1	422534	Bearing for handle
3	1	423423	Slide Bearing PAF 12070 P10
4	2	82108000	Chamfered Washer M8 FZB



Break all edges

This document is strictly confidential and must not be copied or disclosed to any third person. HEDENSTED GRUPPEN A/S	 HEDENSTED GRUPPEN	Scale: 2 : 1,5	Not specified tolerance according to: DS/ISO 2768-m	Sheet size: A4
	Part No.: 422664	Material:	Surface properties:	Sheet: 1 / 1
	Description 1: Assembly bearing for handle			
	Description 2:			

Revision:	Approved	Date:	Revision Description
1	HG	28-09-2015	Revision changed to numeric


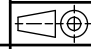


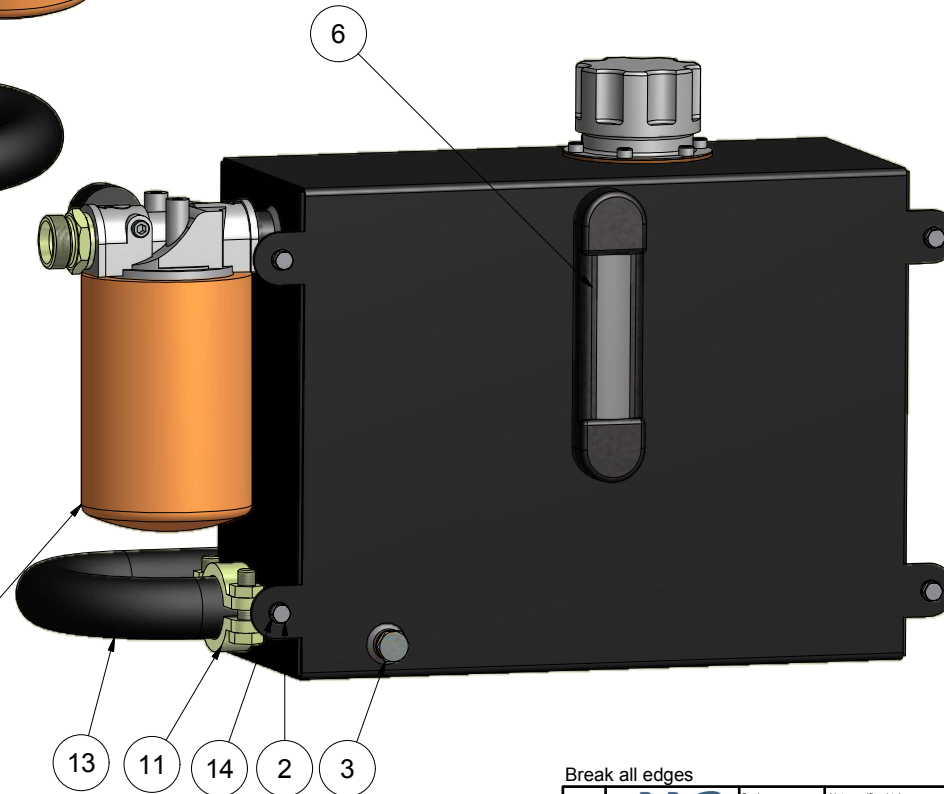
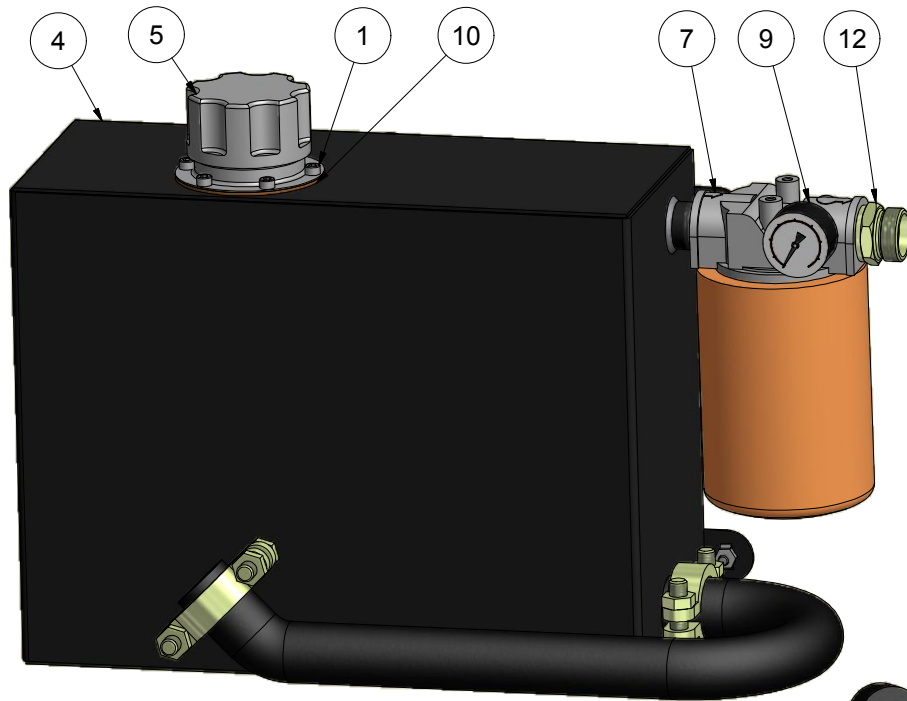
Parts List

ITEM	QTY	PART NUMBER	DESCRIPTION
1	6	11412055	Hexagon bolt M12x55 FZB
2	7	17912000	Self-locking nut M12 FZB
3	1	422624	Hydraulic pipe 1 for motor
4	1	422626	Hydraulic pipe 2 for motor
5	1	422628	Hydraulic pipe 3 for motor
6	1	422630	Hydraulic pipe 4 for motor
7	1	423442	Pipe for wheel motor
8	2	423519	Wheel motor 347ccm Eaton delta
9	3	424048	Elbow adjustable Ø15L w. o-ring Ø15L
10	8	424118	Cutting ring Ø15L
11	8	424122	Union Ø15L M22x1,5
12	2	424162	Tee 3x Ø15L
13	1	477072	Tee Adjustable Ø15L x Ø15L x Ø15L (M/F/F)
14	8	82112000	Washer M12 FZB
15	2	423545	Washer f/OMRW 45x20,5x4 FZB
17	4	477145	Straight connector w. gasket Ø15L 7/8"-14 UNF

Revision:	Approved	Date:	Revision Description
1	HG	28-09-2015	Revision changed to numeric

Break all edges

<small>The information is confidential and may not be disclosed to competitors without prior permission.</small> HEDENSTED GRUPPEN A/S	 HEDENSTED GRUPPEN	Scale: 1 : 2	Not specified tolerance according to: DS/ISO 2768-m	Sheet size: A3
	Part No.: 422668	Material:	Surface properties: 	Sheet: 1 / 2
Description 1: Wheel motor assembly				
Description 2:				



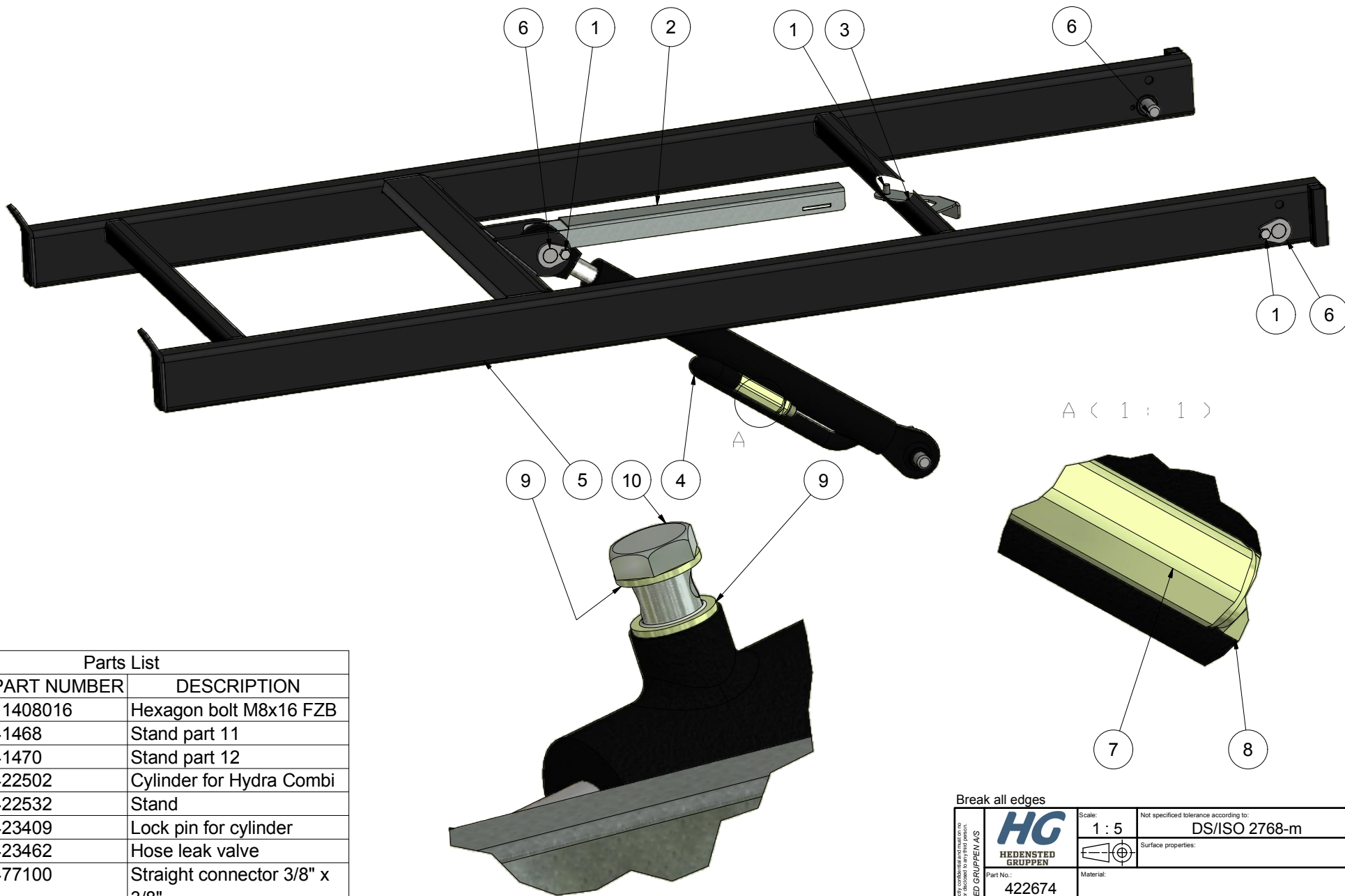
Parts List

ITEM	QTY	PART NUMBER	DESCRIPTION
1	6	10205010	Hexagon cylinder head M5x10 FZB
2	4	11406016	Hexagon bolt M6x16 FZB
3	1	216739	Plug male 1/4"
4	1	422516	Hydraulic tank
5	1	423459	Påfyldning HB70
6	1	423460	Oil level indicator
7	1	423556	Filter head
8	1	423558	MP Oil filter
9	1	423810	Gauge -1+2 bar 1/8" Ø40
10	1	423918	Gasket for filler neck
11	2	474206	Hose clamp Ø32-40
12	1	477126	Male stud 22L 3/4" DM
13	1	477422	Hydraulic hose 10. 1" x530mm1
14	4	82106000	Chamfered Washer M6 FZB

REV	Date	DESCRIPTION	DATE	APPROVED
A	28-09-2015	Made	05-01-2011	KC
HG	28-09-2015	Suction pipe changed to hose	21-02-2012	KL

Break all edges

The information on this drawing is confidential and may not be disclosed to other persons without the express written consent of HEDENSTED GRUPPEN A/S.		Scale: 1 : 3	Not specified tolerance according to: DS/ISO 2768-m	Sheet size: A3
		Surface properties:		Sheet: 1 / 2
Part No.: 422670		Material:		
Description 1: Hydraulic tank assembly				
Description 2:				


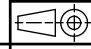


Parts List

ITEM	QTY	PART NUMBER	DESCRIPTION
1	5	11408016	Hexagon bolt M8x16 FZB
2	1	41468	Stand part 11
3	1	41470	Stand part 12
4	1	422502	Cylinder for Hydra Combi
5	1	422532	Stand
6	4	423409	Lock pin for cylinder
7	1	423462	Hose leak valve
8	1	477100	Straight connector 3/8" x 3/8"
9	3	477163	Bopnded seal washer 3/8"
10	1	477222	Banjo bolt 3/8"

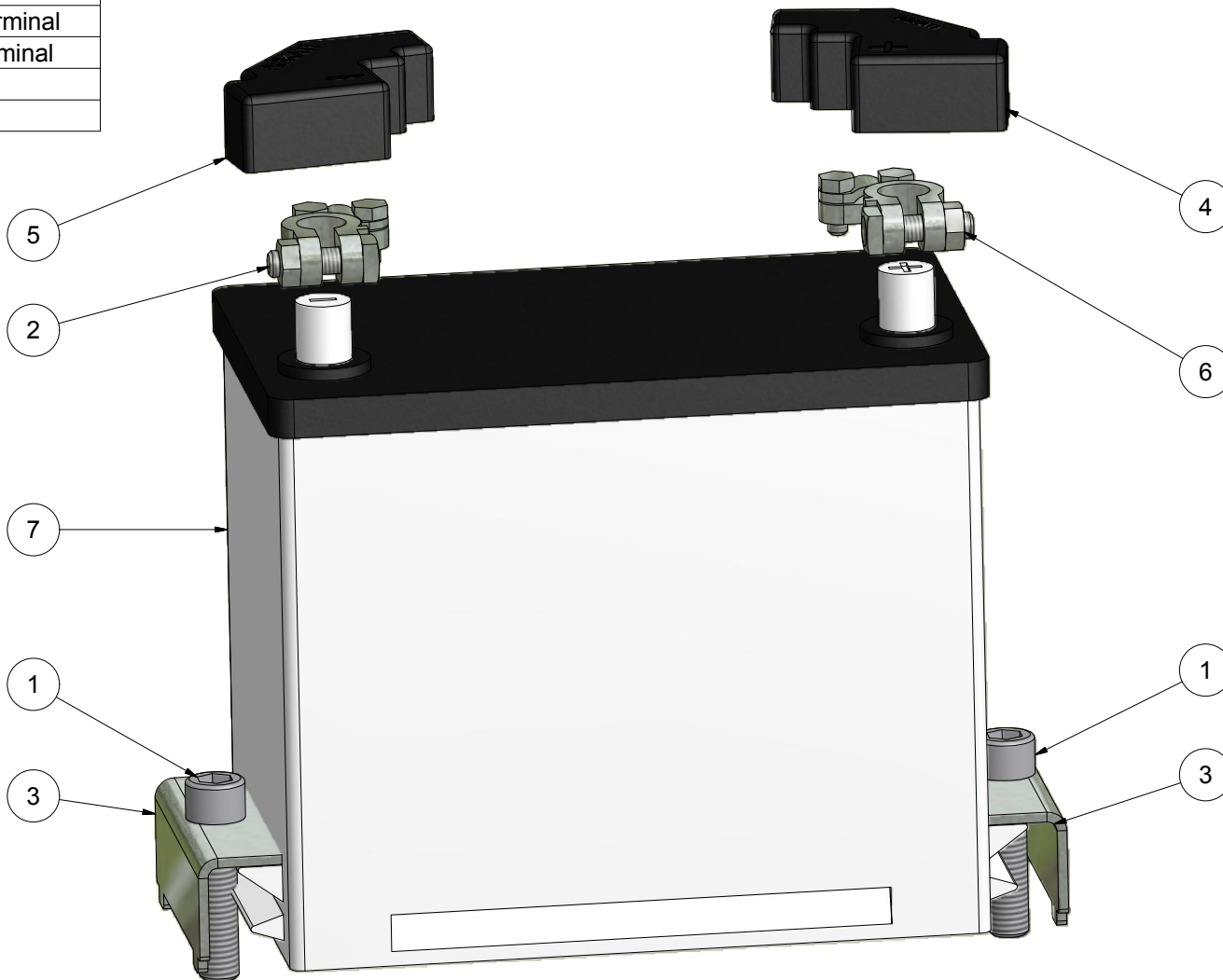
Revision:	Approved	Date:	Revision Description
1	HG	28-09-2015	Revision changed to numeric

Break all edges


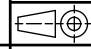
<small>The information on this drawing is confidential and may not be disclosed to other persons without the express written consent of HEDENSTED GRUPPEN A/S</small>	 HEDENSTED GRUPPEN	Scale: 1 : 5	Not specified tolerance according to: DS/ISO 2768-m	Sheet size: A3
	Part No.: 422674	Material:	Surface properties: 	Sheet: 1/1
Description 1: Stand assembly				
Description 2:				

Parts List

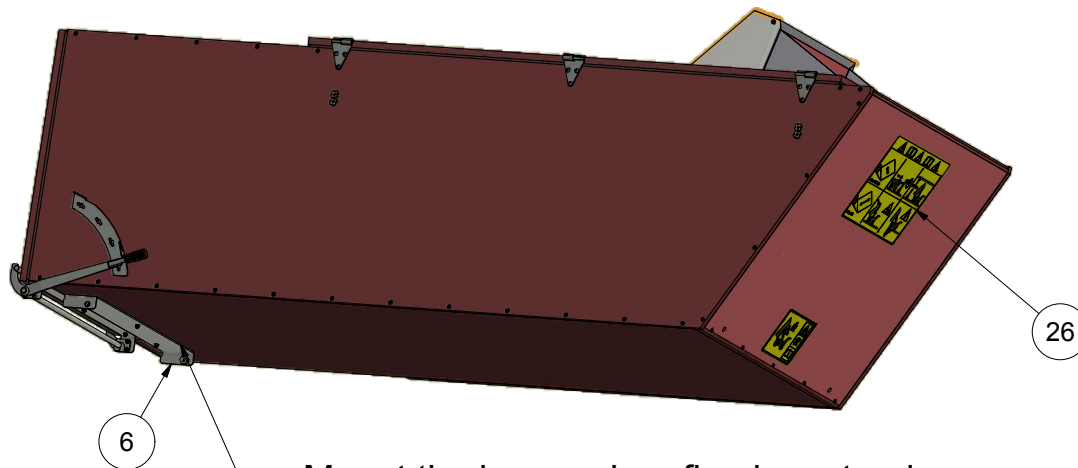
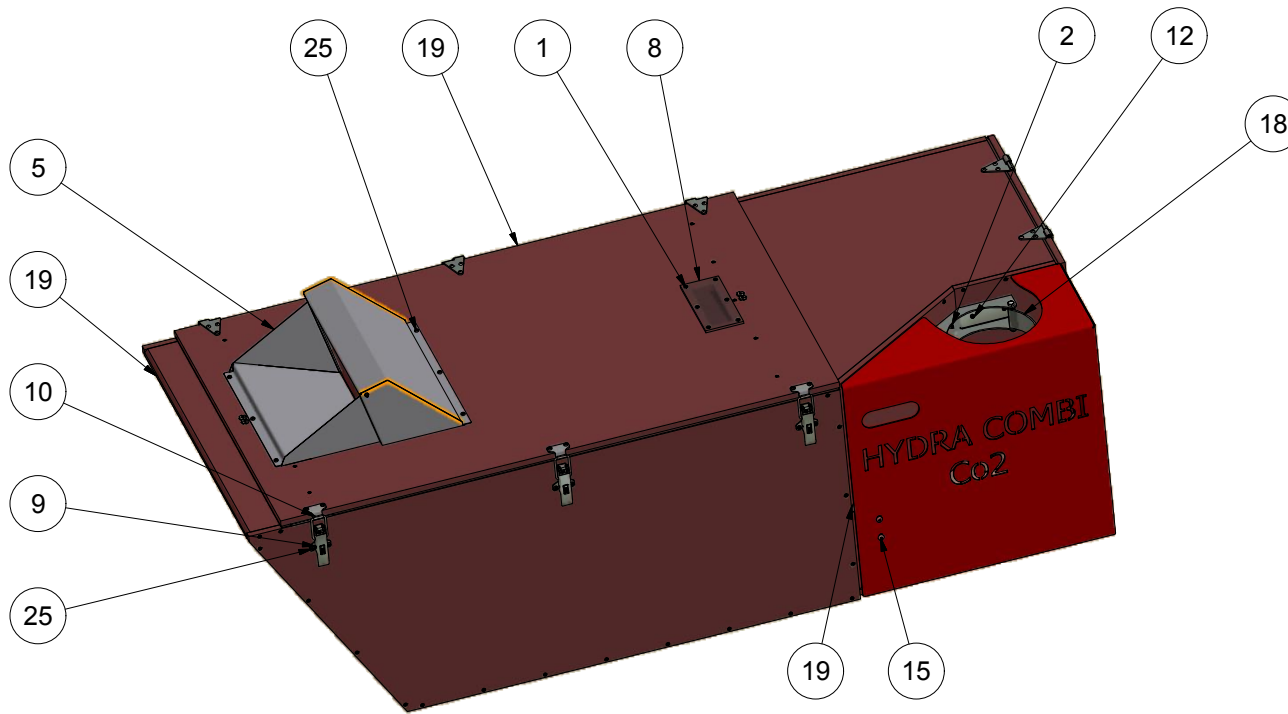
ITEM	QTY	PART NUMBER	DESCRIPTION
1	2	10212050	Hexagon cylinder head M12x50 FZB
2	1	421419	Negative terminal
3	2	423467	Brace for battery
4	1	423496	Cover for positive terminal
5	1	423497	Cover for gorund terminal
6	1	423529	Positive terminal
7	1	476010	Battery



Break all edges

 HEDENSTED GRUPPEN	Scale: 1 : 1,5	Not specified tolerance according to: DS/ISO 2768-m	Sheet size: A3
		Surface properties:	Sheet: 1/1
Part No.: 422676		Material:	
Description 1: Battery assembly			
Description 2:			

Revision:	Approved	Date:	Revision Description
1	HG	28-09-2015	Revision changed to numeric



Mount the brace when fixed on stand

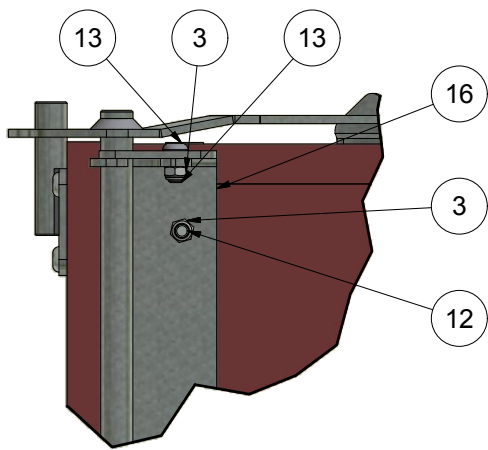
PARTS LIST

ITEM	QTY	PART NUMBER	DESCRIPTION
1	6	140875	Wood screw countersunk head 5 x 20
2	8	1505000	Nut M5 FZB
3	10	17905000	Self-locking nut M5 FZB
4	12	19205000	Drive in nut M5 FZB
5	1	280160	HG Mail box complete
6	1	422500	Brace for stand
7	2	422520	Hinge left
8	1	422596	Window for killing box
9	3	422604	Latch clamp with lock
10	3	422606	Brace for latch clamp
11	1	423424	Handle, Ø21 cylindrical knob Ø10
12	14	64405025	Cup head square neck bolt M5x25 FZB
13	16	76005012	Buttonhead bolt M5x12 FZB
14	12	76005020	Buttonhead bolt M5x20 FZB
15	2	76008016	Buttonhead bolt M8x16 FZB
16	1	M100136	Angle for clamp
17	2	M100139	Clamp for lid
18	2	M100142	Clamp for Co2 bottle 20L
19	1	M100147	Base assembly 2 Co2 box
20	1	M100150	Cover plate
21	1	M100152	Lock for Co2 plate
22	1	M100153	Tension brace
23	1	M100155	Cover for Co2 bottle
24	2	M10249	Handle part 2
25	22	M102639	Wood screw pan head 5 x 16 Stainless
26	1	M103872	Warning sign for 280131 + 280133

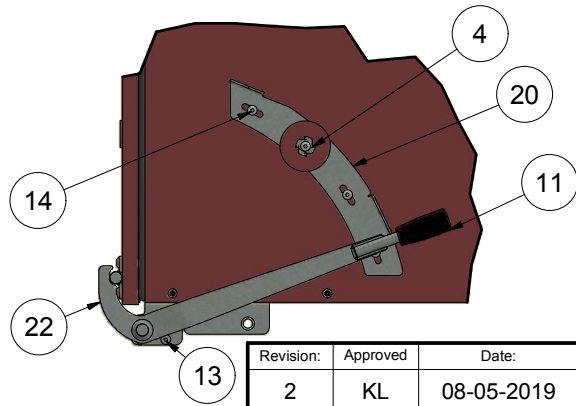
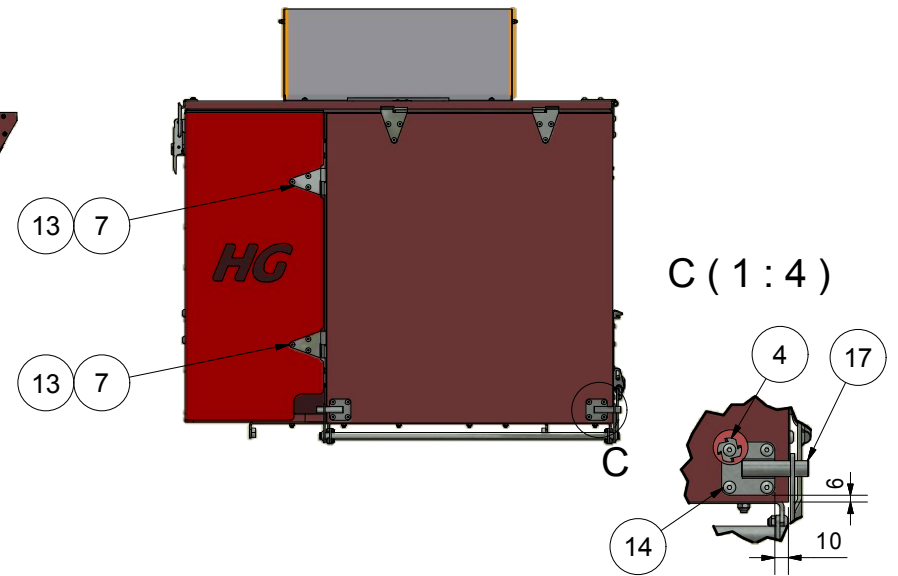
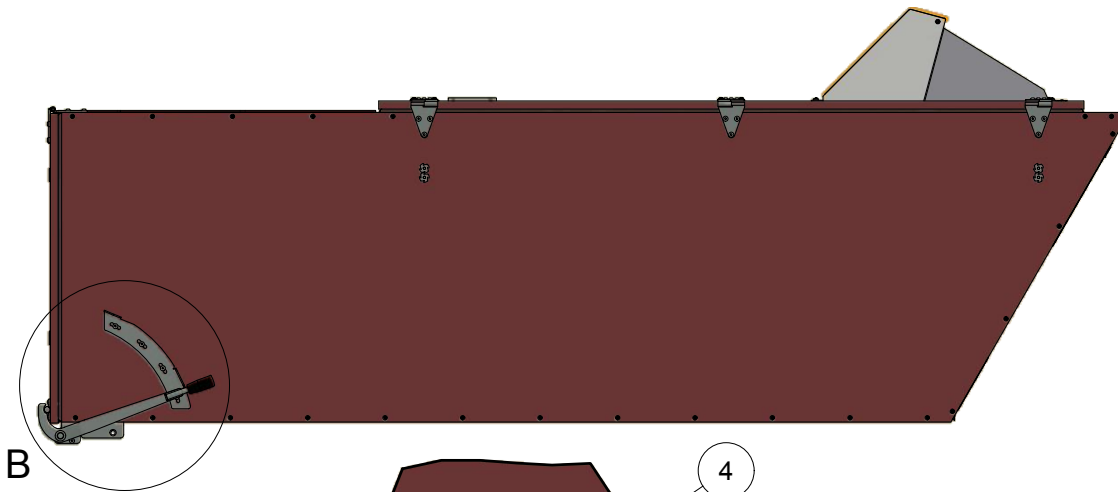
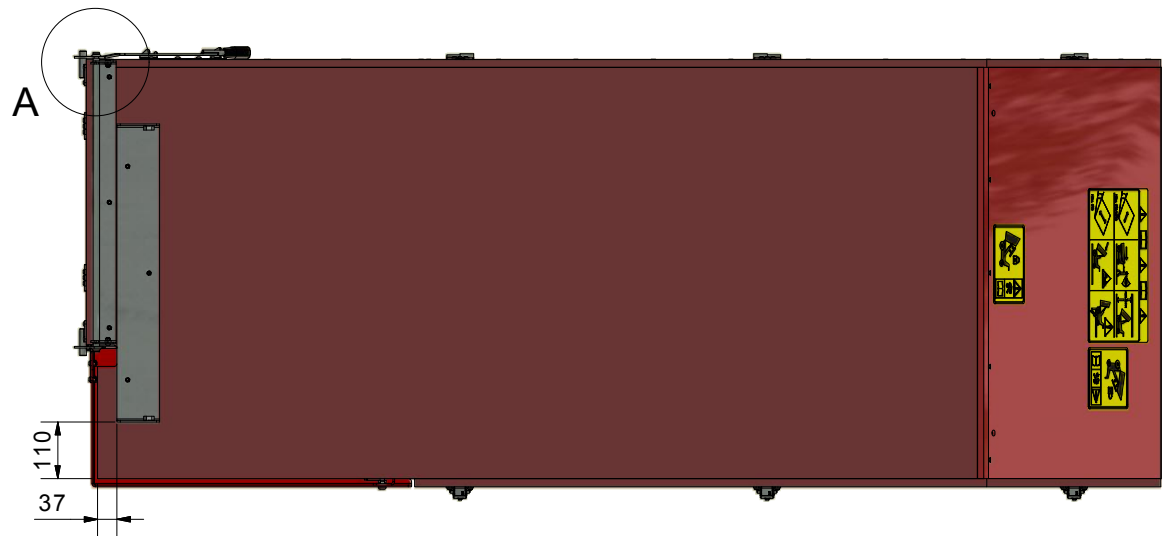
Break all edges

The information on this drawing is the property of HEDENSTED GRUPPEN AS. It is not to be copied or disclosed to any third person.		Scale: 1 : 12	Not specified tolerance according to: DS/ISO 2768-m	Sheet size: A3
			Surface properties: No	Sheet: 1 / 2
	Part No.: M100130	Material:		
	Description 1: Killing box for Co2			
Description 2:				

Revision:	Approved	Date:	Revision Description
2	KL	08-05-2019	Warning sign added



B (1:5)



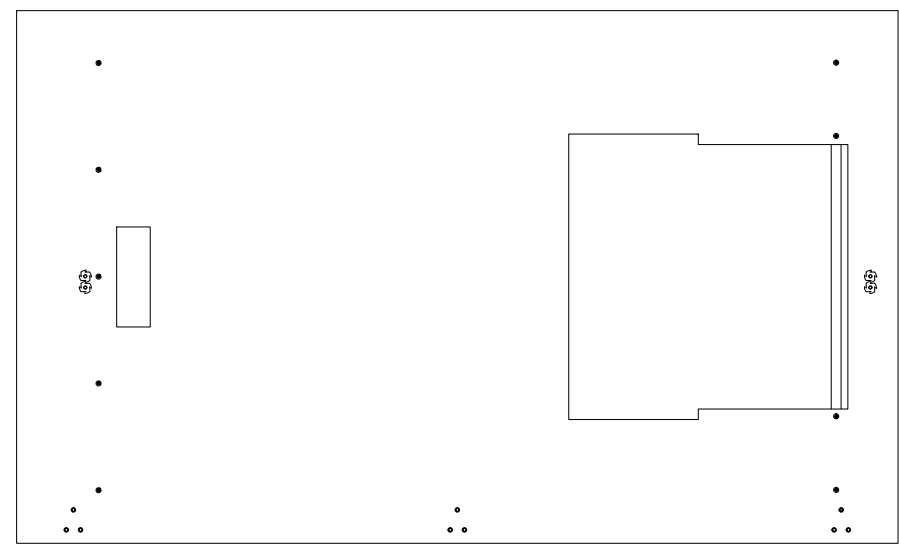
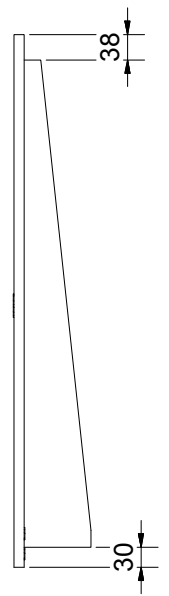
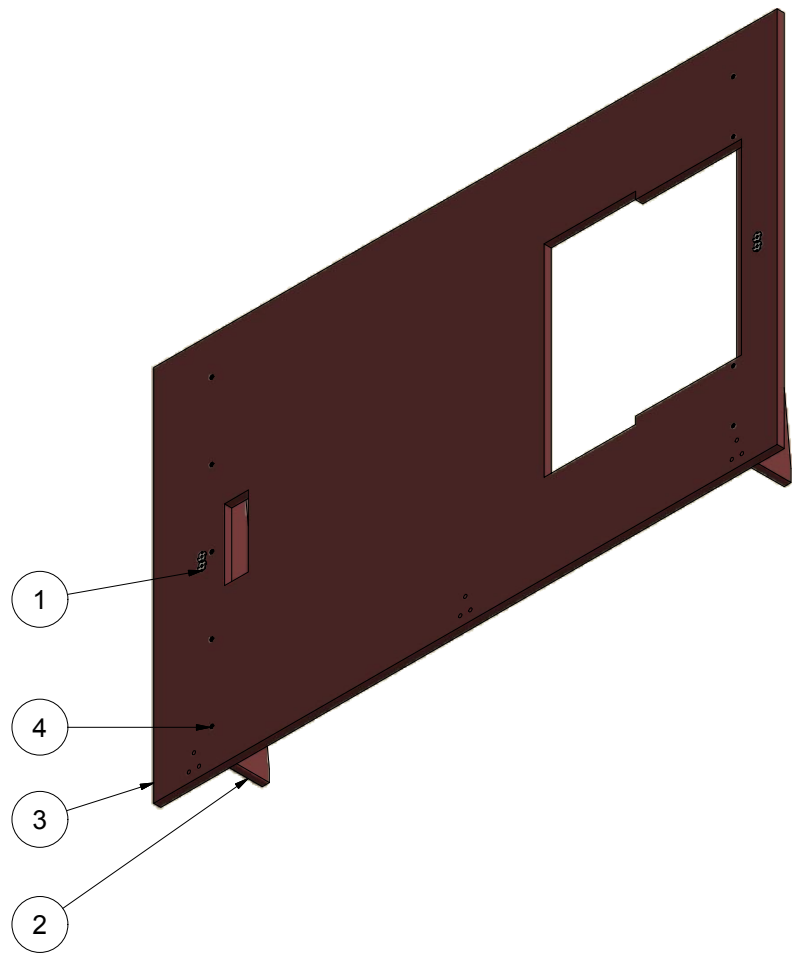
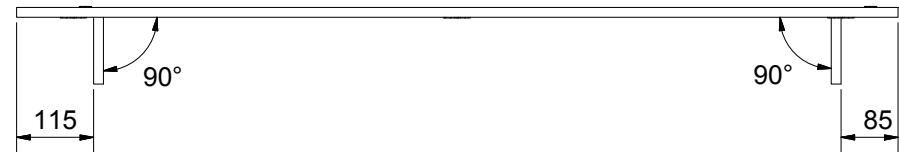
Break all edges

The information on this drawing is the property of HEDENSTED GRUPPEN A/S. It is not to be copied or disseminated to any third person.	HG		Scale:	Not specified tolerance according to:	Sheet size:	
	HEDENSTED GRUPPEN		1 : 12	DS/ISO 2768-m	A3	
	Part No.: M100130			Surface properties:	No	Sheet:
	Description 1:			Material:		2 / 2
Description 2:		Killing box for Co2				


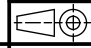
Revision:	Approved	Date:	Revision Description
2	KL	08-05-2019	Warning sign added

PARTS LIST

ITEM	QTY	PART NUMBER	DESCRIPTION
1	13	19205000	Drive in nut M5 FZB
2	2	41447	Box part 7
3	1	M10235	Top lid for Co2 box
4	13	M202005	Wood screw countersunk head 3,5 x 35



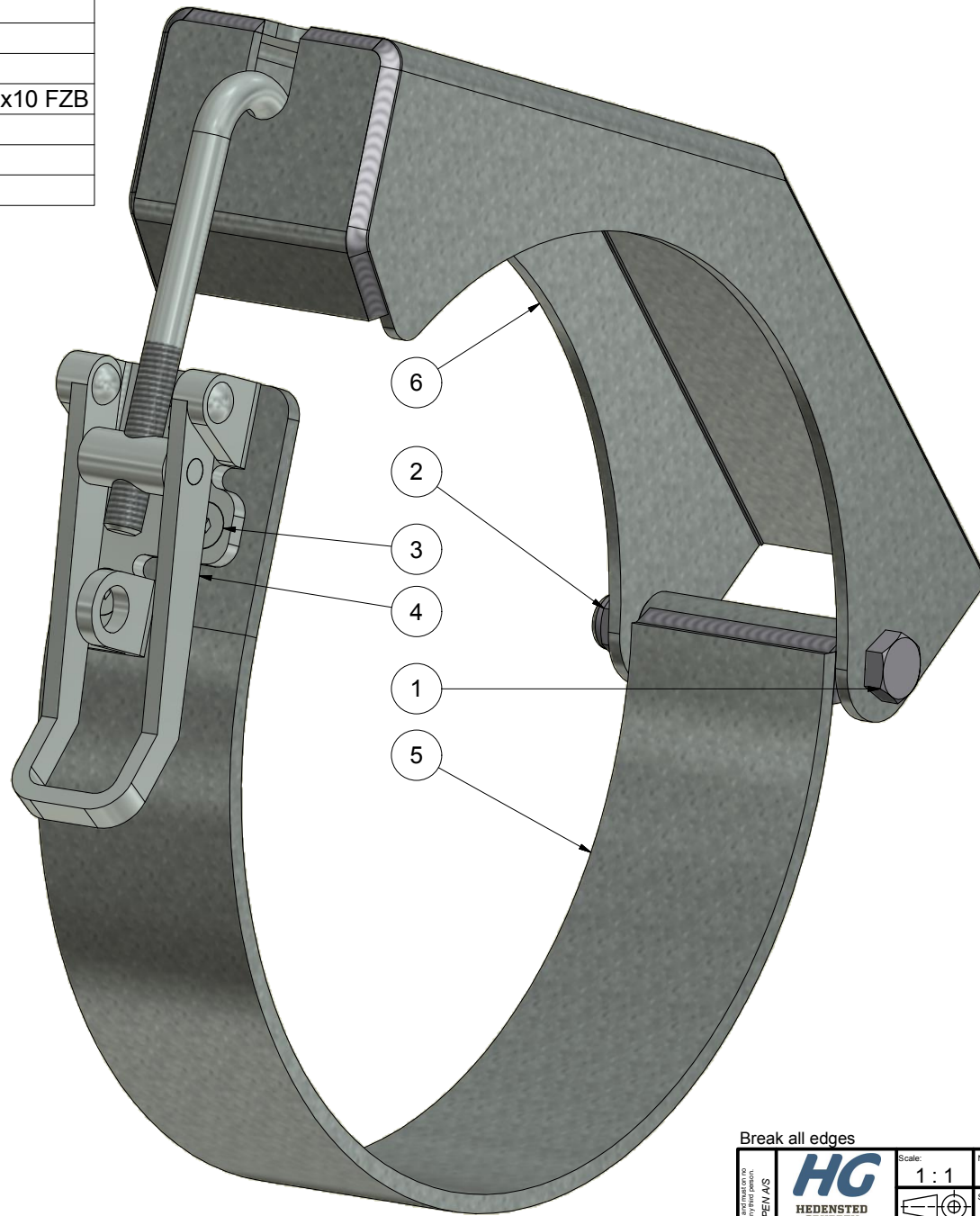
Break all edges

The information on this drawing is confidential and intended for internal use only. It is not to be copied or disclosed to any third party. HEDENSTED GRUPPEN A/S		Scale: 1 : 8	Not specified tolerance according to: DS/ISO 2768-m	Sheet size: A3
	HEDENSTED GRUPPEN		Surface properties: No	Sheet: 1 / 2
	Part No.: M100135	Material:		
	Description 1: Lid assembly			
Description 2:				

Revision:	Approved	Date:	Revision Description
1	HG	28-09-2015	Revision changed to numeric

PARTS LIST

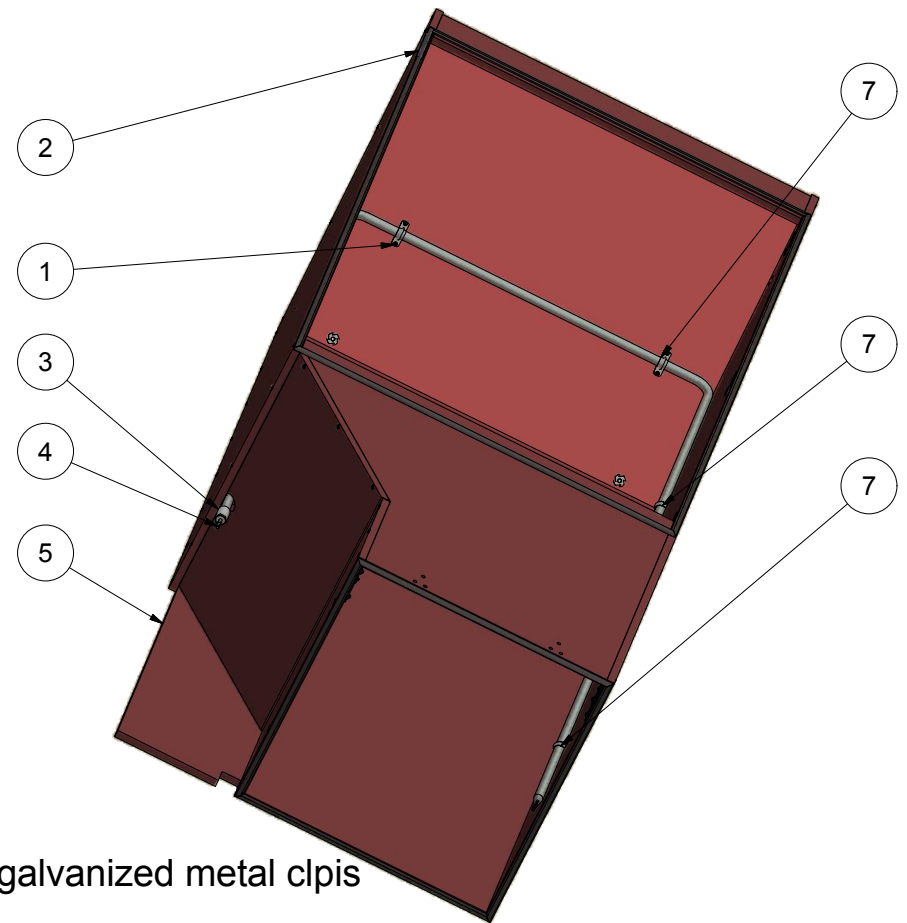
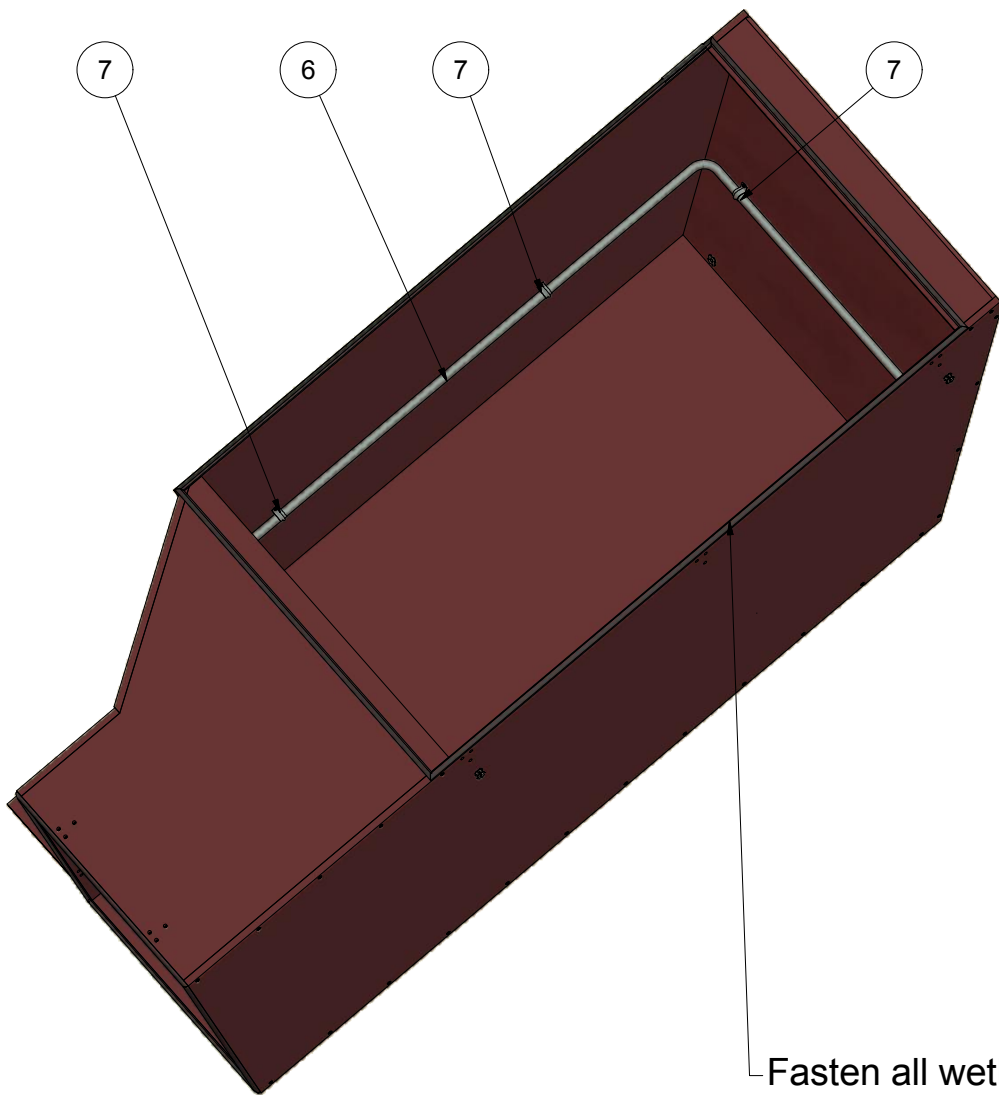
ITEM	QTY	PART NUMBER	DESCRIPTION
1	1	11408070	Hexagon bolt M8x70 FZB
2	1	17908000	Self-locking nut M8 FZB
3	3	20405010	Hexagon countersunk head M5x10 FZB
4	1	425944	Latch clamp 703HL
5	1	M100143	Clamp for bottle assembly 1
6	1	M100144	Clamp for bottle assembly 2



Break all edges

The drawing is a 3D model and is not to be used for manufacturing purposes. It is intended for information only and is not to be used for manufacturing purposes.	HG		Scale:	Not specified tolerance according to:	Sheet size:
	HEDENSTED GRUPPEN		1 : 1	DS/ISO 2768-m	A3
	Part No.:		Material:		Surface properties:
	M100142				No
Description 1:		Clamp for Co2 bottle 20L			
Description 2:					

Revision:	Approved	Date:	Revision Description
1	HG	28-09-2015	Revision changed to numeric




Fasten all wether strips with galvanized metal clpis

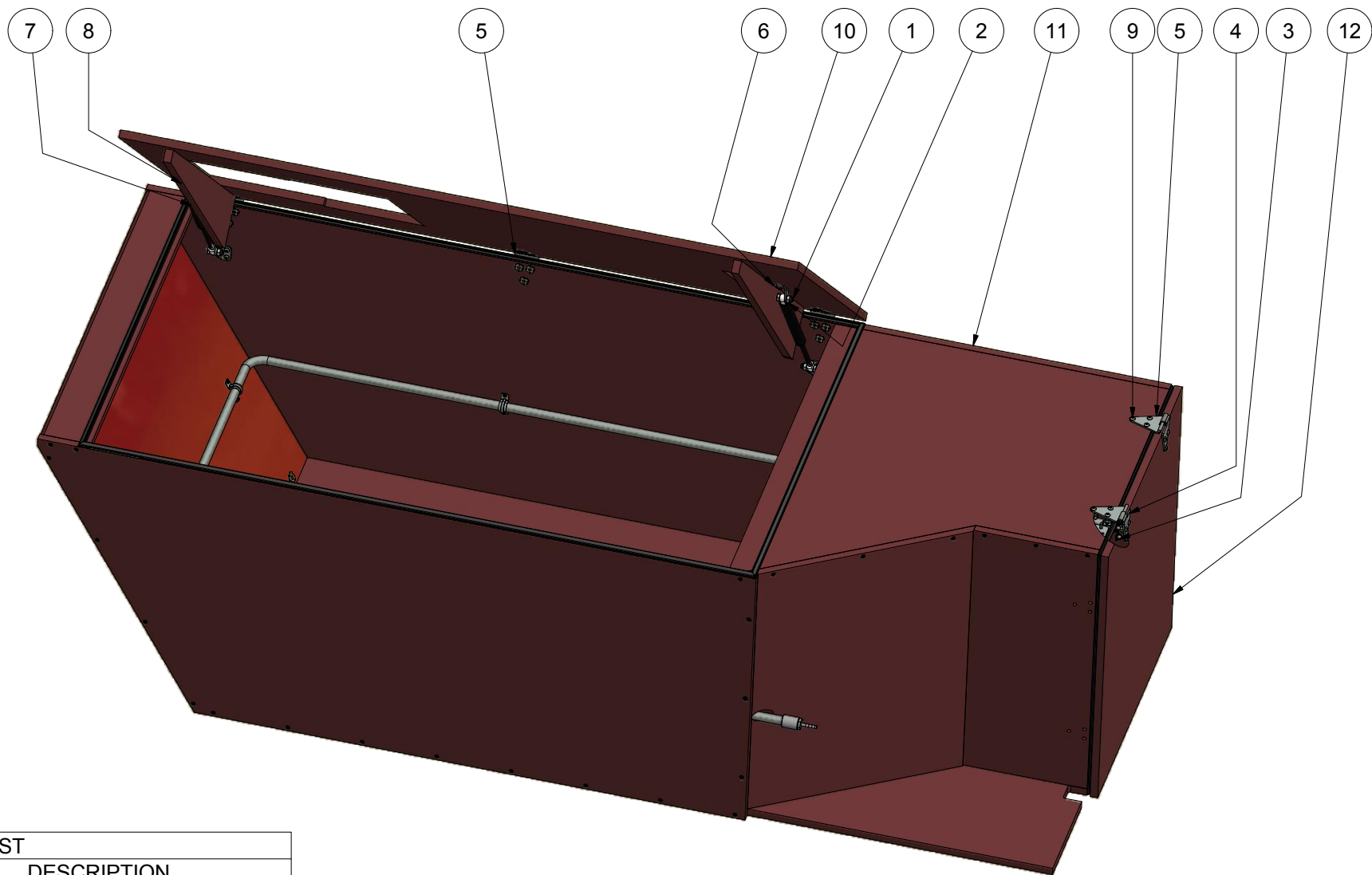
PARTS LIST

ITEM	QTY	PART NUMBER	DESCRIPTION
1	12	140851	Wood screw pan head 3,5 x 15
2	6,5 m	41592	Sealing strip
3	1	47002	Socket 3/8" Galv
4	1	477529	Hose pipe 3/8"x1/4"
5	1	M100131	Box for killing box Co2
6	1	M100137	Co2 Pipe
7	6	M100138	Pipe clamp 3/8"

Revision:	Approved	Date:	Revision Description
1	HG	28-09-2015	Revision changed to numeric

Break all edges

The information on this drawing is the property of HEDENSTED GRUPPEN A/S. It is not to be copied, disseminated or used for any third parties.	 HEDENSTED GRUPPEN	Scale: 1 : 10	Not specified tolerance according to: DS/ISO 2768-m	Sheet size: A3
	Part No.: M100146	Material:	Surface properties: No	Sheet: 1 / 2
	Description 1: Base assembly 1 Co2 box			



PARTS LIST

ITEM	QTY	PART NUMBER	DESCRIPTION
1	4	11408025	Hexagon bolt M8x25 FZB
2	4	17908000	Self-locking nut M8 FZB
3	12	19205000	Drive in nut M5 FZB
4	3	422518	Hinge right
5	2	422520	Hinge left
6	4	422608	Brace for gas spring
7	2	422610	Gas spring Ø8 x 200mm, 250N
8	4	422612	Eye bracket for gas spring Ø8mm
9	38	76005020	Buttonhead bolt M5x20 FZB
10	1	M100135	Lid assembly
11	1	M100146	Base assembly 1 Co2 box
12	1	M10234	Lid for Co2 box

Revision:	Approved	Date:	Revision Description
1	HG	28-09-2015	Revision changed to numeric

Break all edges

HG HEDENSTED GRUPPEN A/S <small>Alle målinger er angivet i millimeter medmindre andet er angivet. Dimensioner kan ændres uden varsel.</small>	Scale:	Not specified tolerance according to:	Sheet size:
	1 : 8	DS/ISO 2768-m	A3
		Surface properties:	Sheet:
	No	1 / 1	
Part No.:	Material:		
M100147			
Description 1:	Description 2:		
Base assembly 2 Co2 box			



HG
**HEDENSTED
GRUPPEN**

Vejlevej 15, DK-8722

Hedensted

Tel. (+45) 75 89 12 44

Fax (+45) 75 89 11 80

www.hedensted-gruppen.dk

HG – for professional fur farmers