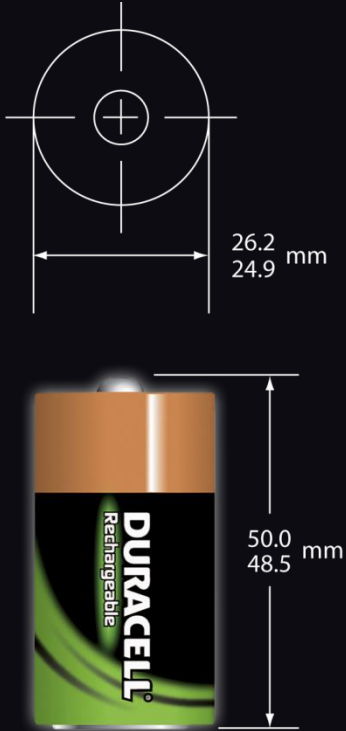


DURACELL® Rechargeable



Rechargeable C



BENEFITS

- Reliable Performance in Everyday Devices!

TECHNICAL

Type:	NiMH C 2200mAh
Nominal Voltage:	1.2V
Nominal Internal Impedance:	30 m-ohm @ 1 kHz
Average Weight:	61.0 grams (2.15 ounces)
Volume:	26.9 cm ³ (1.64 in ³)
Operating Temperature Range:	-20°C to 50°C (-4°F to 122°F)
ANSI:	1.2RH
IEC:	HR14
Product Codes:	Blister x2 EU/UK SAP Code: 75052458 EU/UK EAN Code: 5000394055988

Dimensions shown are IEC standards

Product can be charged on most NiMH or NiCd chargers utilizing standard dV, dV/dt, time and temperature dynamic charge termination methods. Duracell brand NiMH chargers are recommended for best results.

Delivered capacity is dependent on the applied load, operating temperature, and cut-off voltage. Please refer to the charts and discharge data shown for example of the energy/service life that the battery will provide for various local conditions.

This data is subject to change. Performance information is typical. Contact Duracell for latest information.

