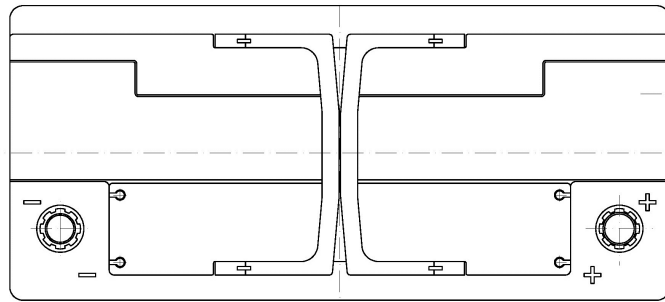
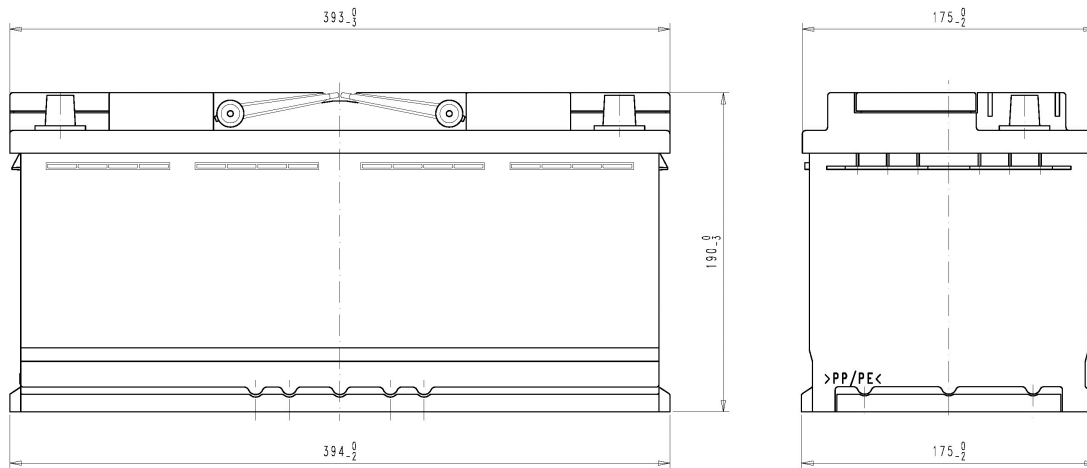


# TECHNICAL DATASHEET



Final Outlook L0605-A  
Approval date 01/11/2013

## PERFORMANCES

Voltage (V):	12 V	
C20 (Ah):	105.0	20 h
Rc (min):	0	
Cranking (A):	950	EN
Vibration:	Manufactured Specific	
Endurance:	VDA Requirement	
Charge:	CHARGED	
Technology:	AGM	
Grid:	Ca/Ca	

## WEIGHT AND STD. DIMENSIONS

Battery Weight (kg ± 5%):	28.8
Volume acid (l ± 5%):	5.2
Length (mm ± 2):	392
Width (mm ± 2):	175
Height (mm ± 2):	190

All figures show nominal values. Tolerances are according to EN50342 and applicable European Regulations.

## CONTAINER

Type:	L06	BLACK
Hold Down:	B13	
H.D. Adapter:	No	

## COVER

Type:	Double with IntegBLACK
Polarity:	ETN 0
Terminals:	EN taper post
Terminal Adapter:	No
SOCI:	No
Ventilation:	Central
Filter:	1 Filter at Right
Lateral Plug:	No

## PLUGS

Type:	1 x Vent Sealed (Valv BLACK)
-------	------------------------------

## HANDLES

Type:	2 x Integrated	BLACK
-------	----------------	-------

## OTHERS

Degassing Tube:	No
-----------------	----