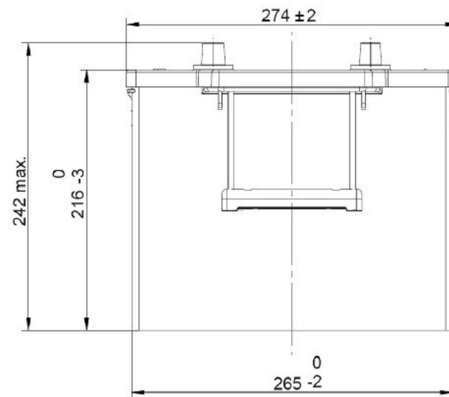
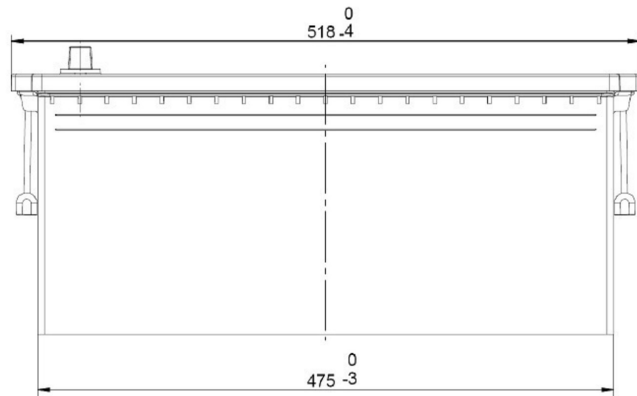
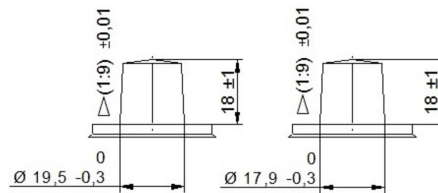
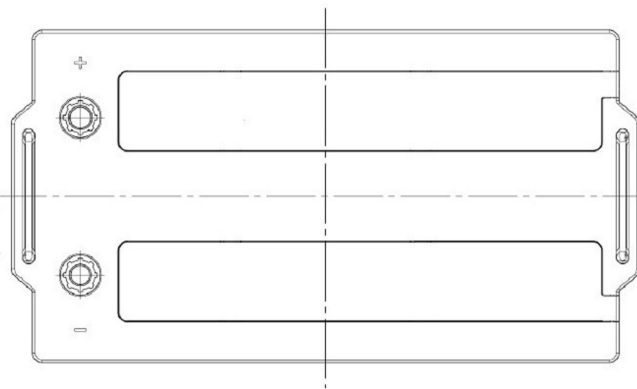


Central Article Code: D06119C25-A  
 Local Code: EE2353

Created: 29/07/2016  
 Modified: 31/07/2020



Your supplier  
**GACELL**  
 The right battery  
GACELL A/S · Sletten 17 · 7500 Holstebro · DK  
 +45 961 02 961 · www.gacell-power.dk



Final Outlook: D0625-A  
 Approval date: 01/03/2017

## PERFORMANCES

Voltage (V): 12 V  
 C20 (Ah): 235.0      20 h  
 Cranking (A): 1200      EN  
 Charge: WET  
 Technology: Vented/Flooded  
 Grid: Ca/Ca

## CONTAINER

Type: D06      GREY MEDIUM  
 Hold Down: B0  
 H.D. Adapter: No

## COVER

Type: Flat/Press      GREY MEDIUM  
 Polarity: ETN 3  
 Terminals: EN taper post  
 Terminal Adapter: No  
 SOCI: No  
 Ventilation: Central  
 Filter: 1 Filter per Vent  
 Lateral Plug: No

## STD. DIMENSIONS

Length (mm ± 2): 518  
 Width (mm ± 2): 274  
 Height (mm ± 2): 240

## PLUGS

Type: 2 x VCL Vent      GREY MEDIUM

## HANDLES

Type: 2 x Rope (Rigid holder)      BLACK

## OTHERS

Degassing Tube: No

All figures show nominal values. Tolerances are according to EN50342 and applicable European Regulations.