

Datasheet

Gel-battery

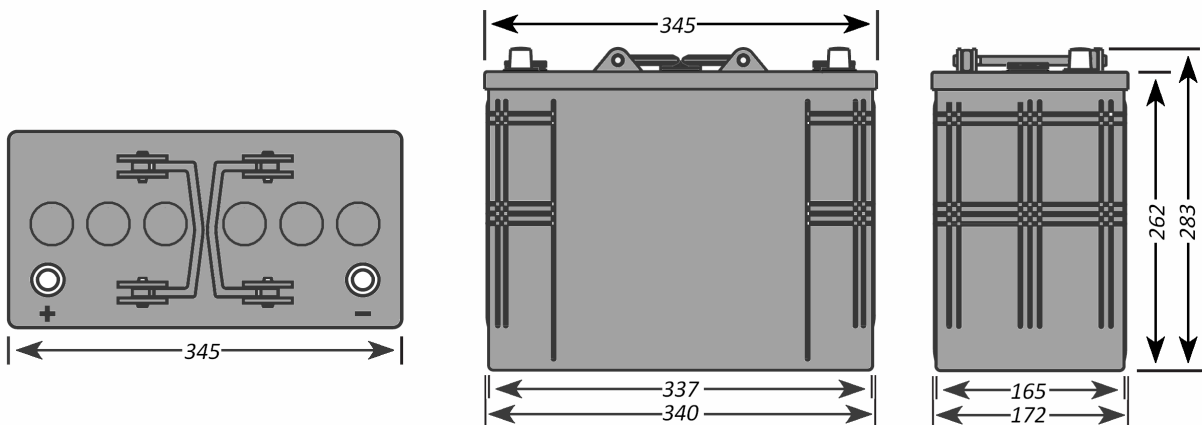
CDC-G 12 105

Application Fields



1. Physical Data

Type	Box	length [mm]	width [mm]	height Lid [mm]	height max[mm]	Weight (kg)	Terminal
CDC G 12 105		345	172	262	283	42	DIN



2. Specifications

Electrical characteristics	
Rated voltage	12V
Rated capacity (@25°C)	105Ah (C ₅) 140Ah (C ₂₀)
Reserve capacity (@25°C)	-- min.
CCA (EN)	-- A
Self discharge (@25°C)	App. 1% / month
Endurance (DOD 70%)	700 cycles
Recommended:	
Charging current	14A
Charging voltage	7,2V

Design features	
Container	Polypropylene
Hold downs	-
Vibration resistance	V3
Plug	Valve
Maintenance	
interval	--
Water consumption	--
Check of electrolyte level	--
Water for refill	--